

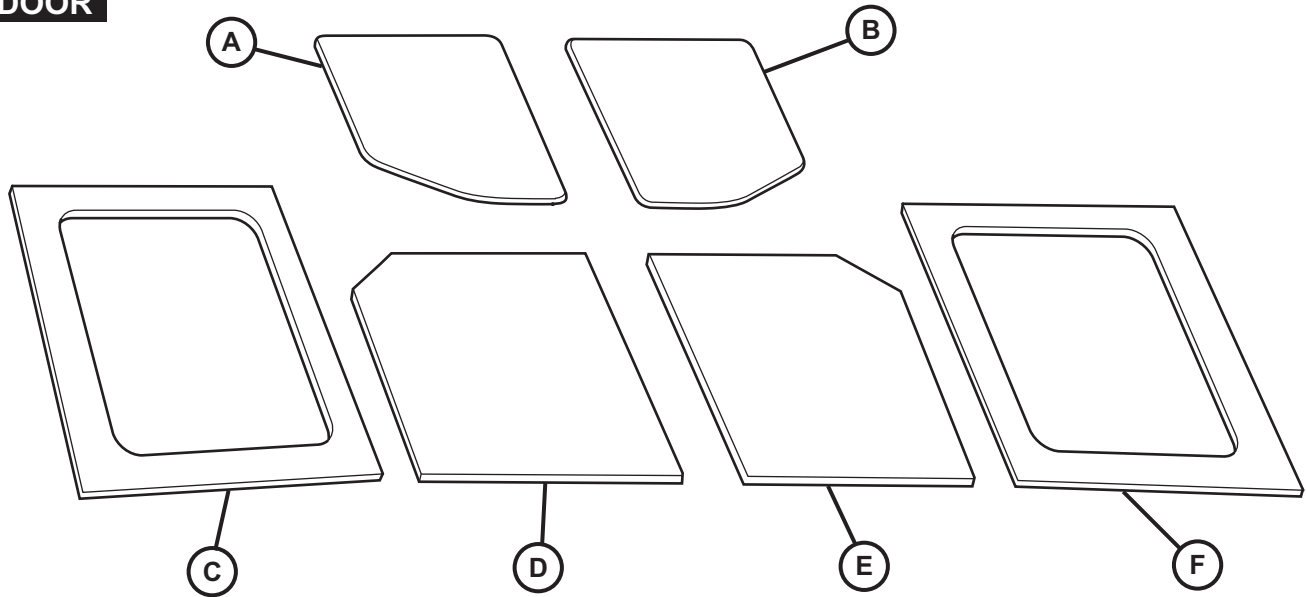


MOPAR. www.mopar.com

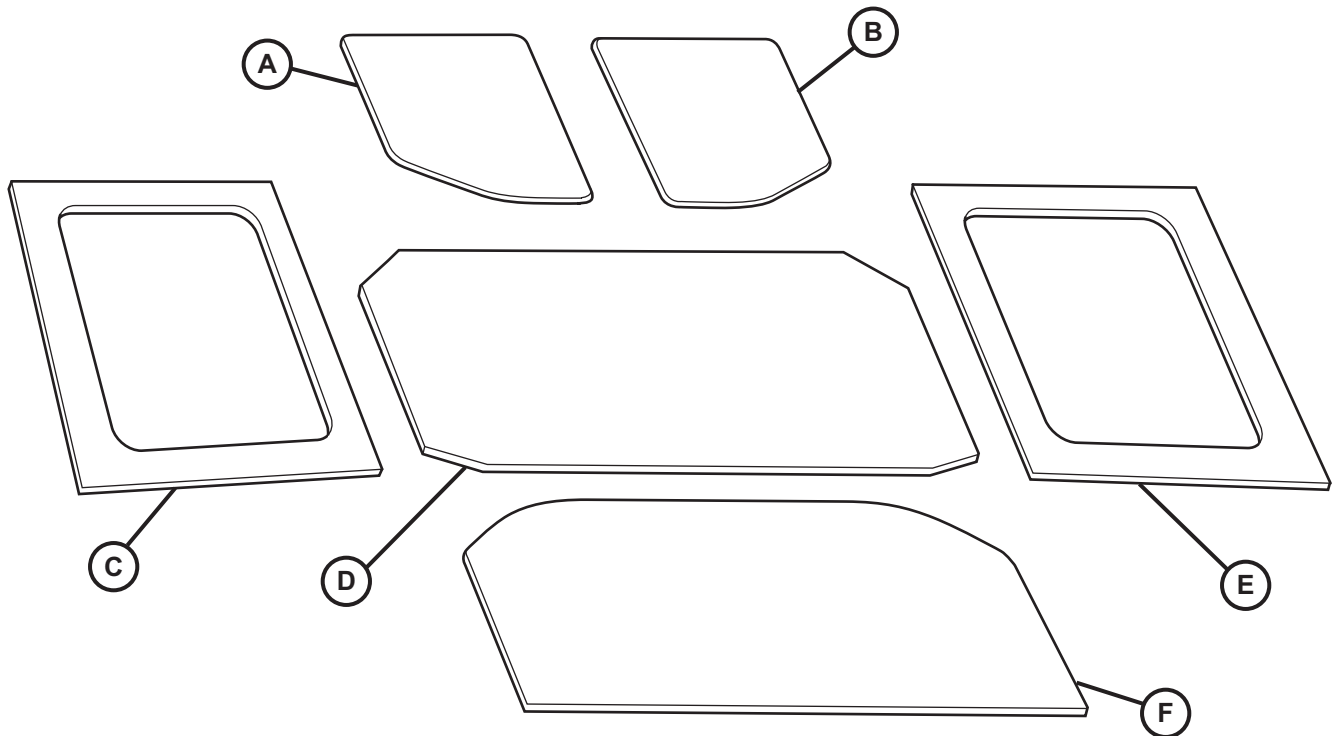
JEEP WRANGLER

TOP LINER

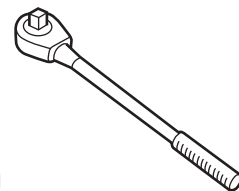
2-DOOR



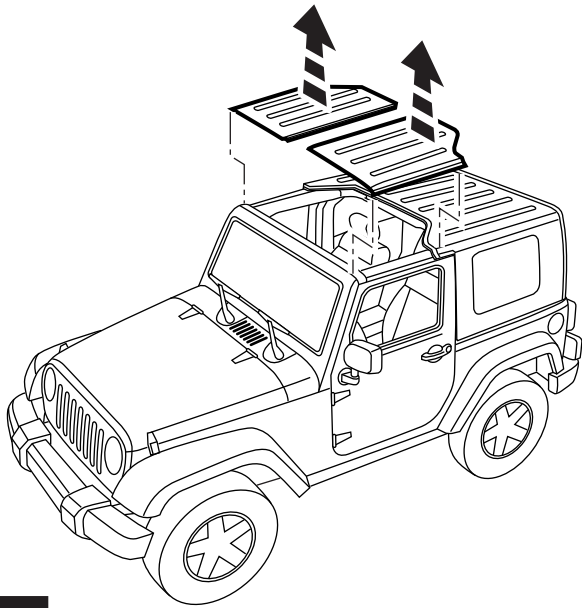
4-DOOR



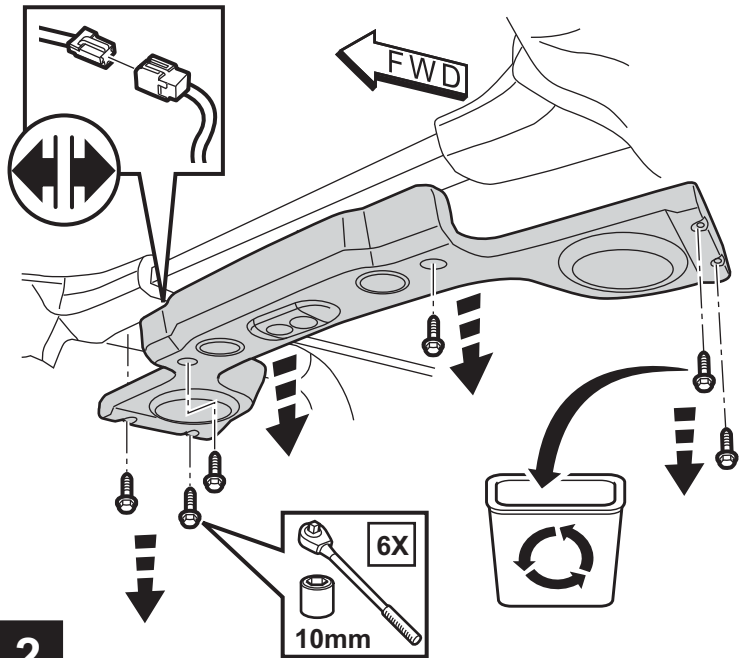
10mm



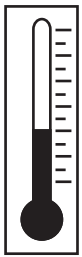
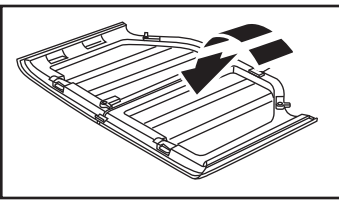
2-DOOR



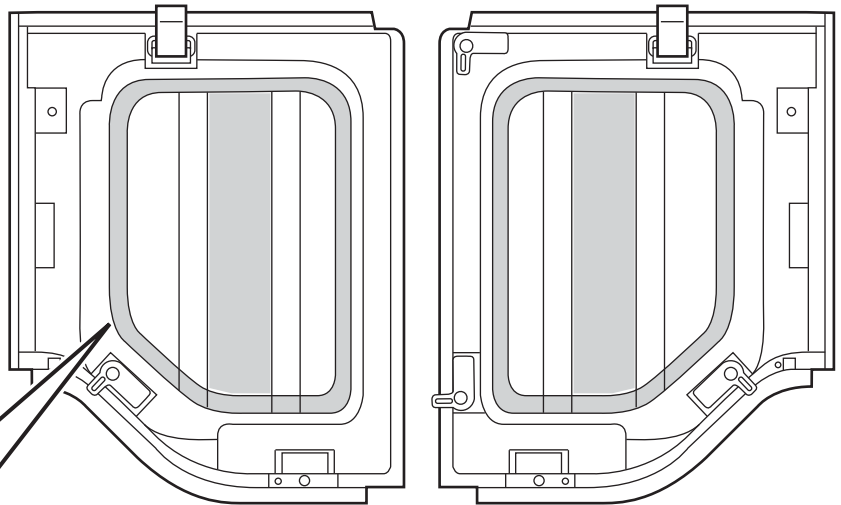
1



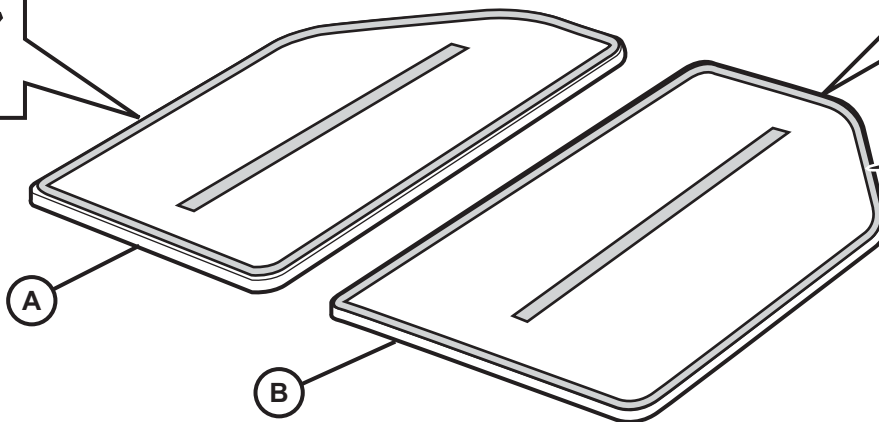
2



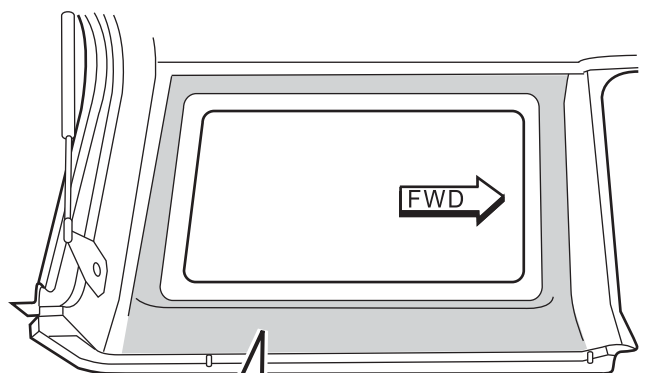
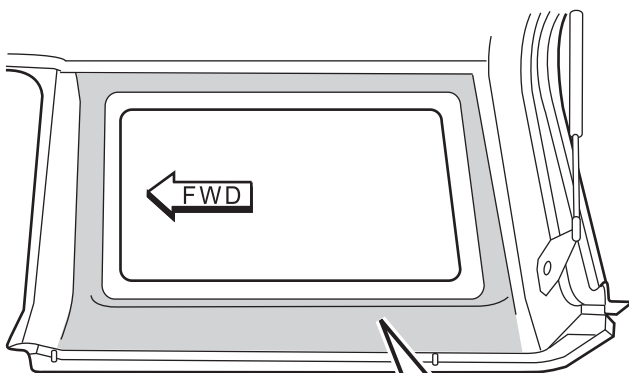
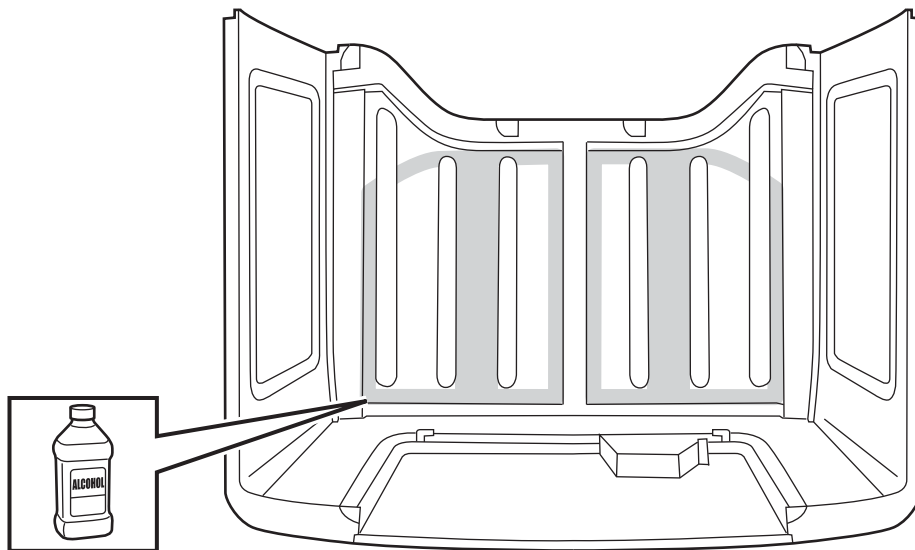
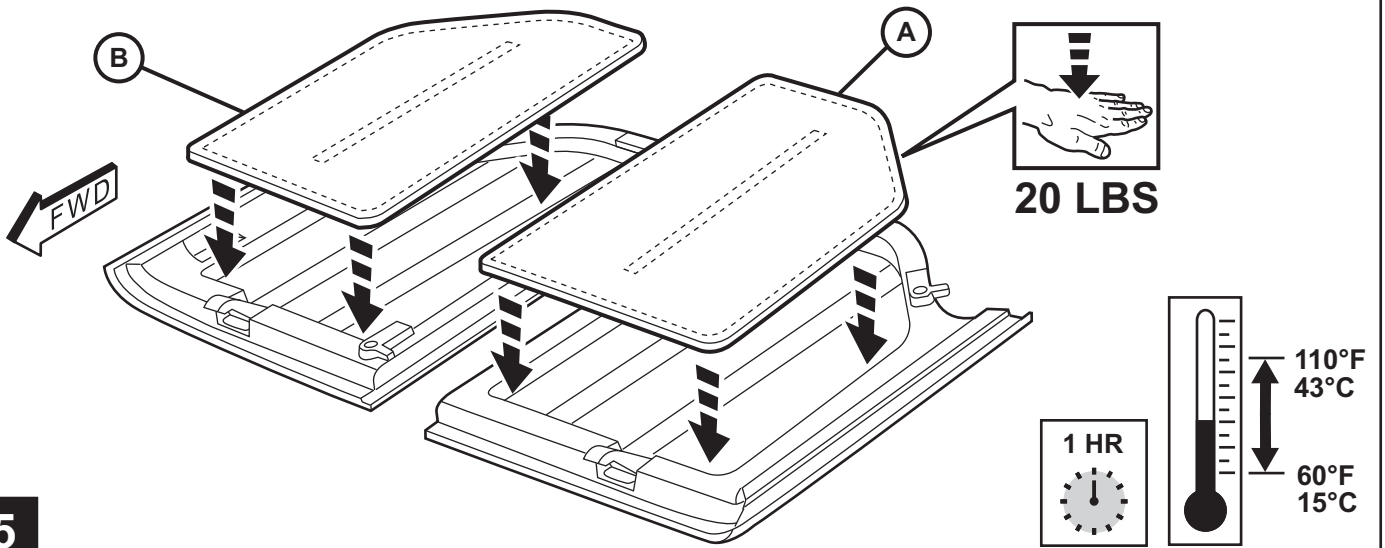
110°F
43°C
60°F
15°C

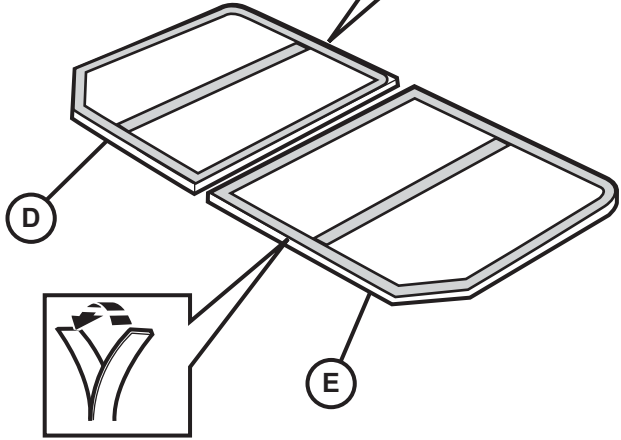
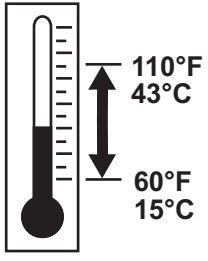


3

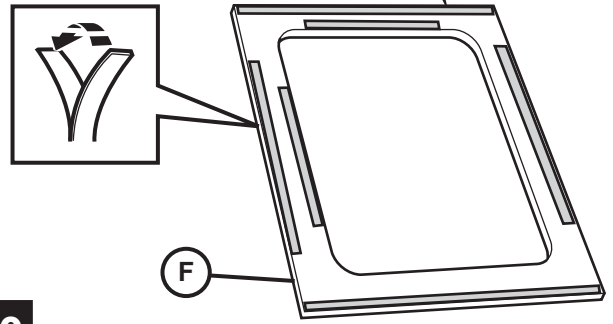
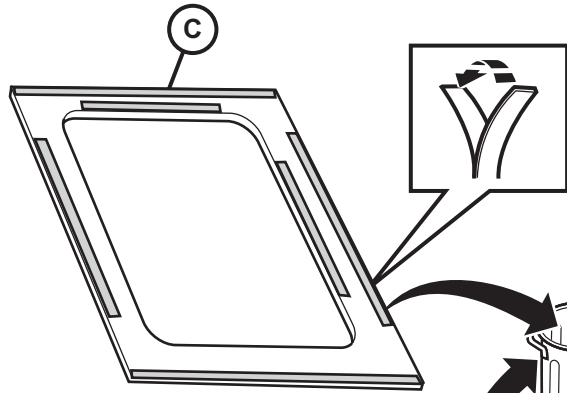


4





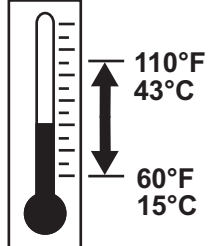
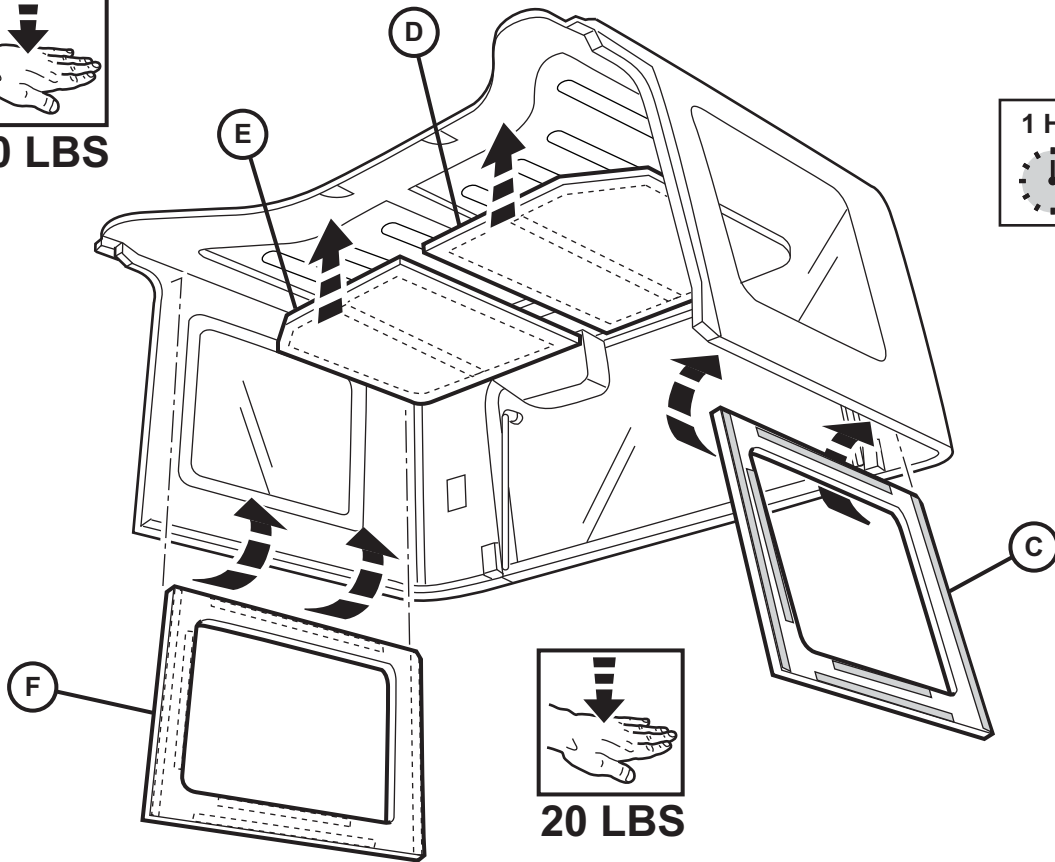
9



10

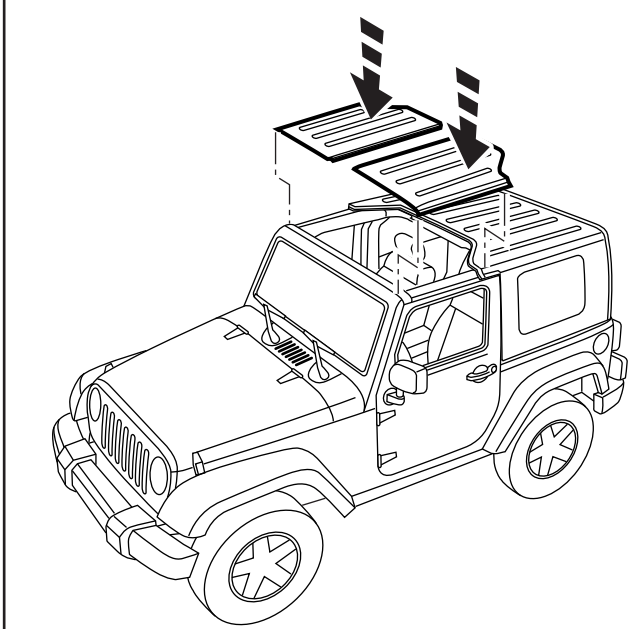
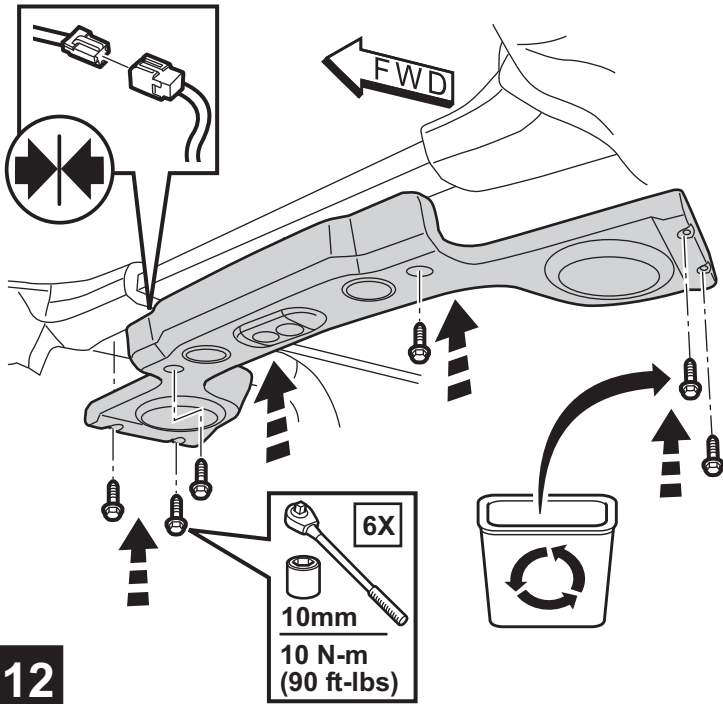


20 LBS

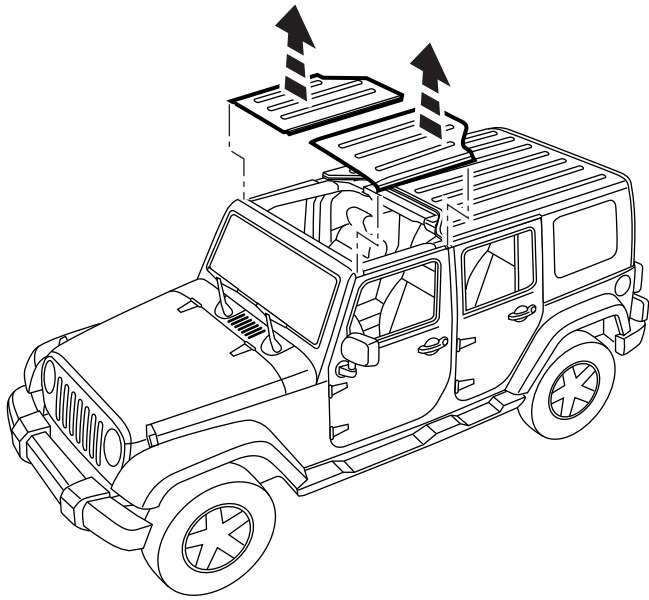


20 LBS

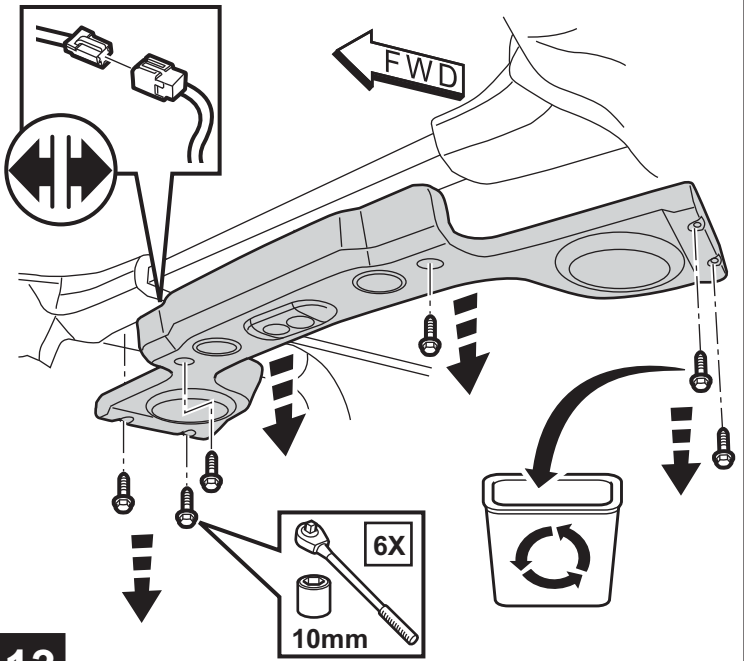
11



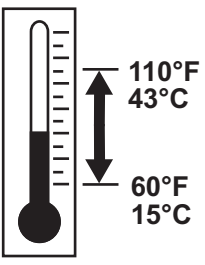
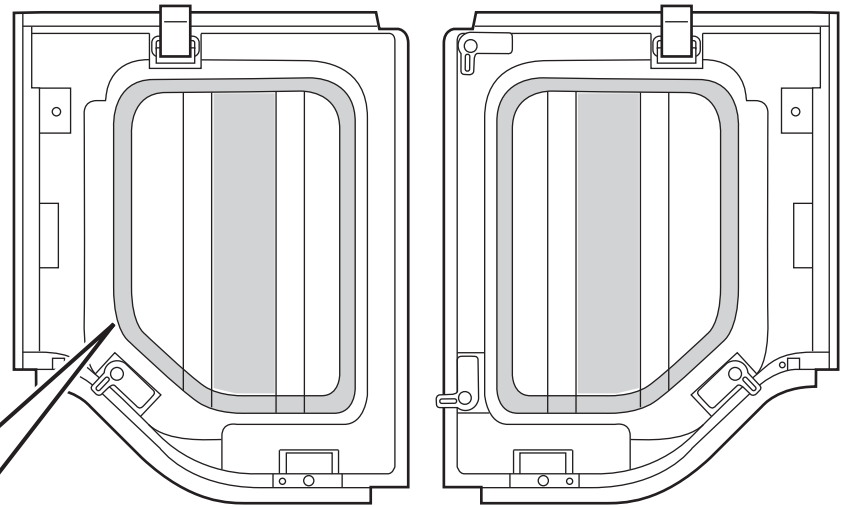
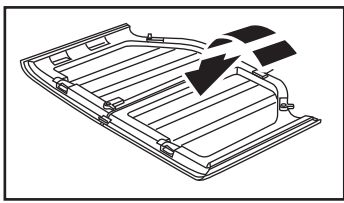
4-DOOR



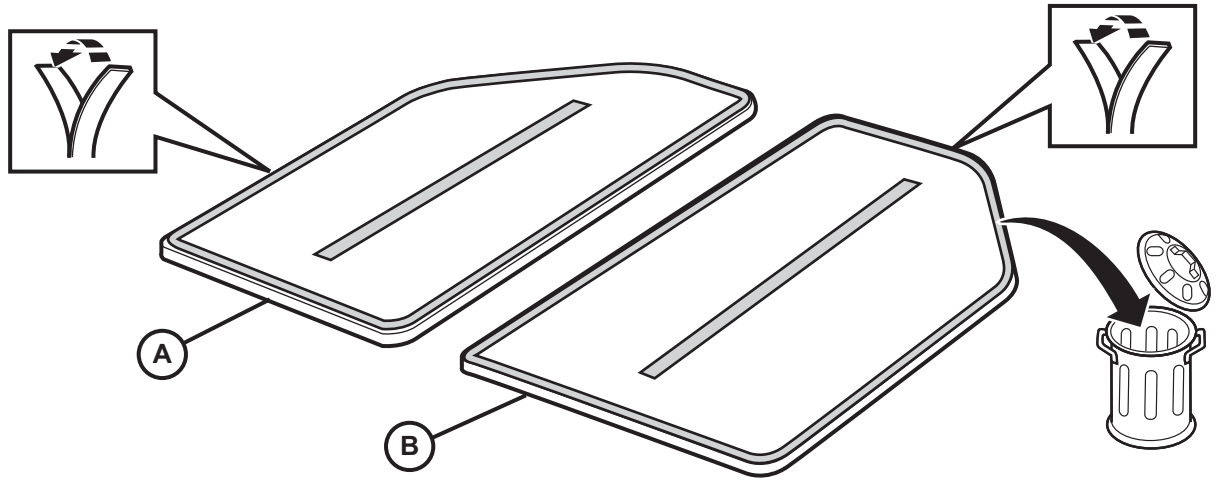
12



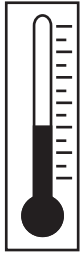
13



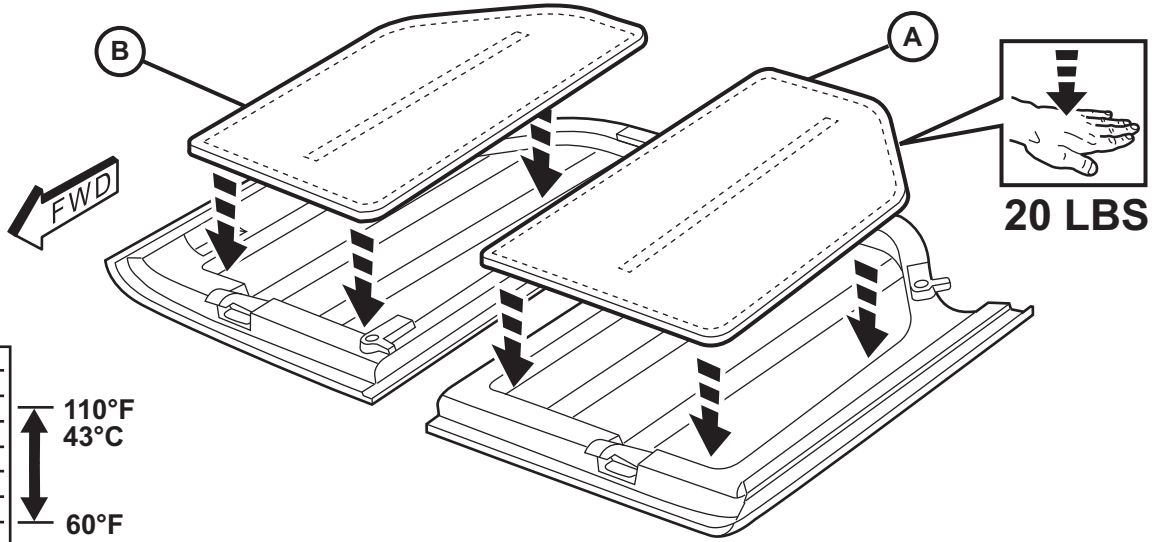
14



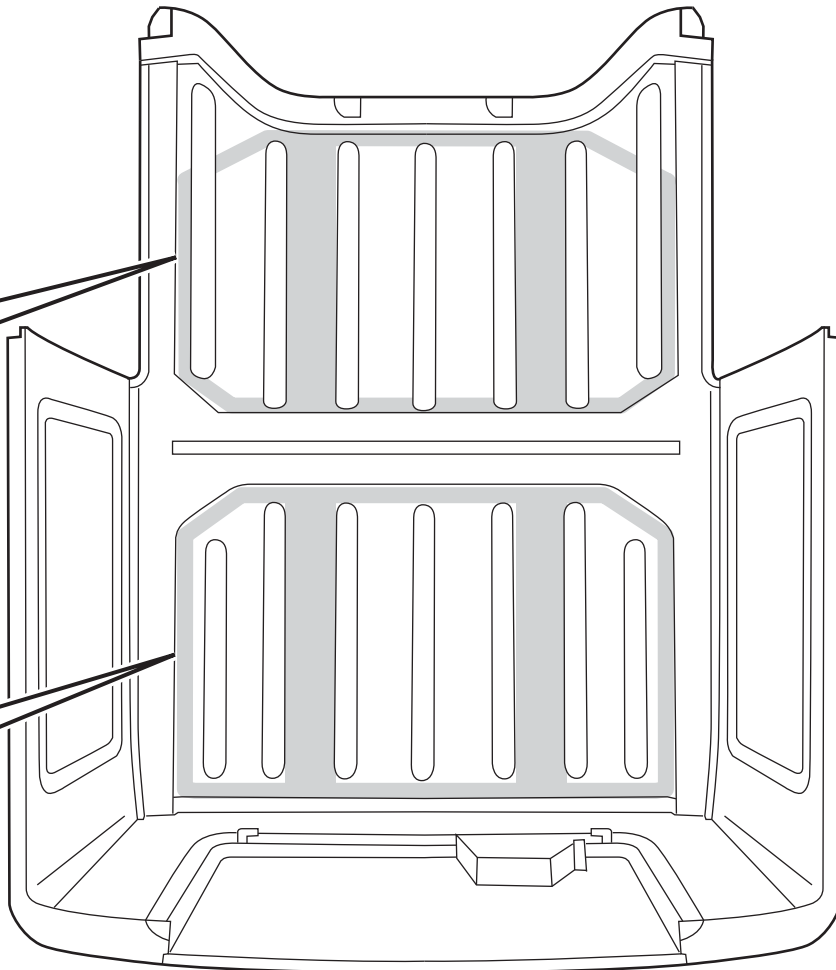
15



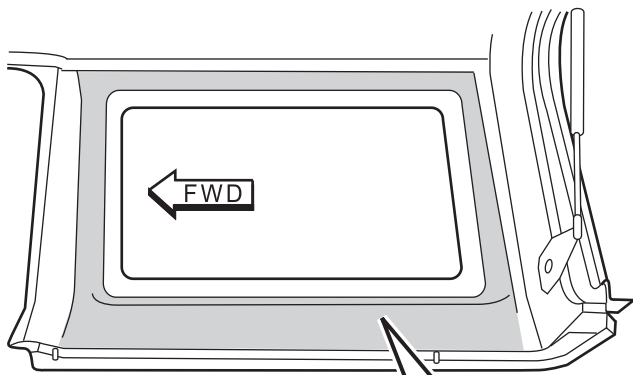
110°F
43°C
60°F
15°C



16

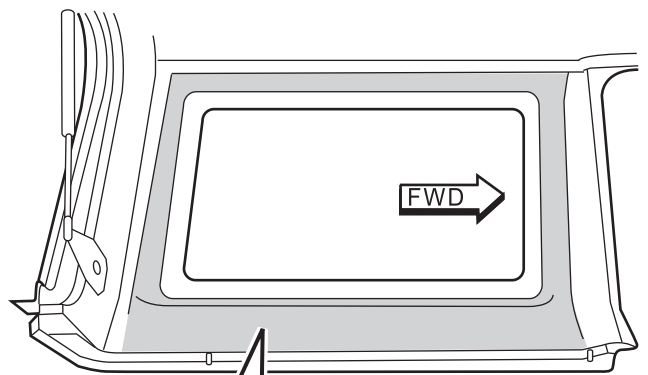


17



RH

18

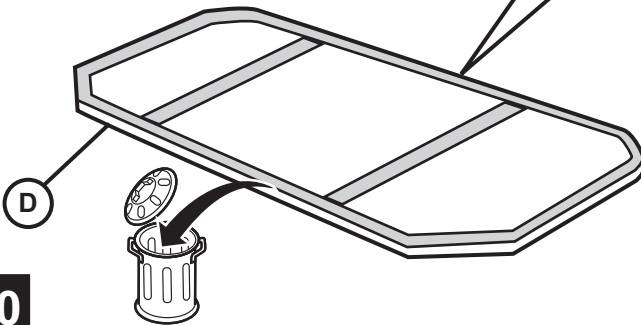


LH

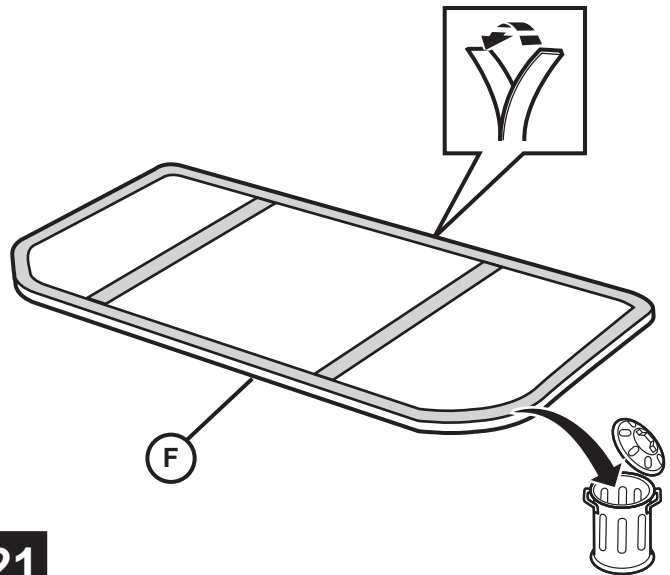
19



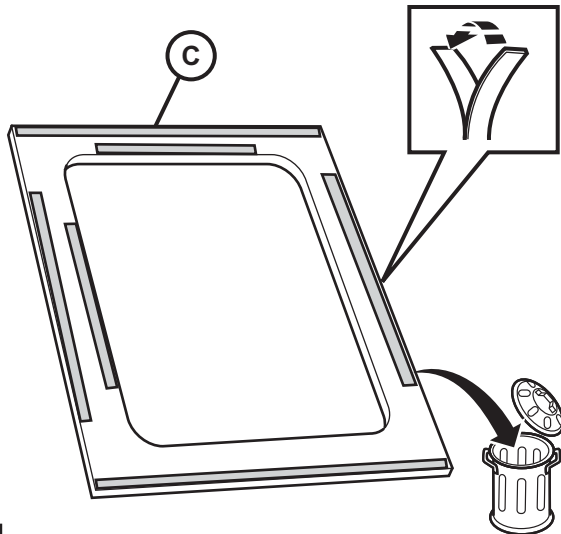
110°F
43°C
60°F
15°C



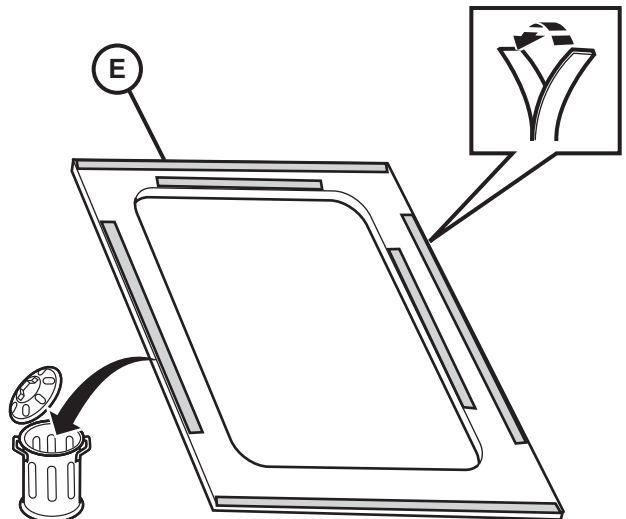
20



21



22



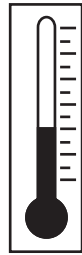
23



20 LBS

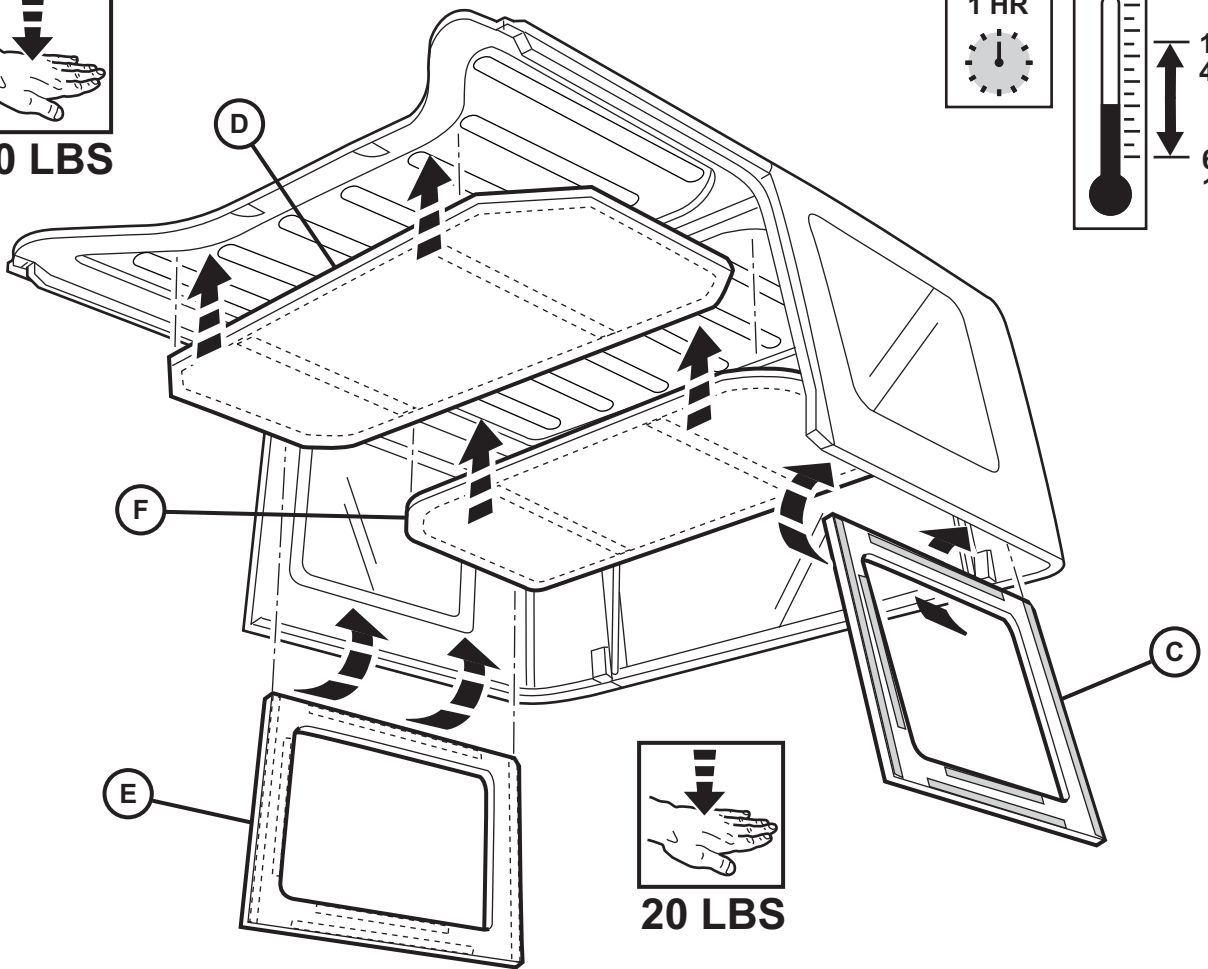


1 HR

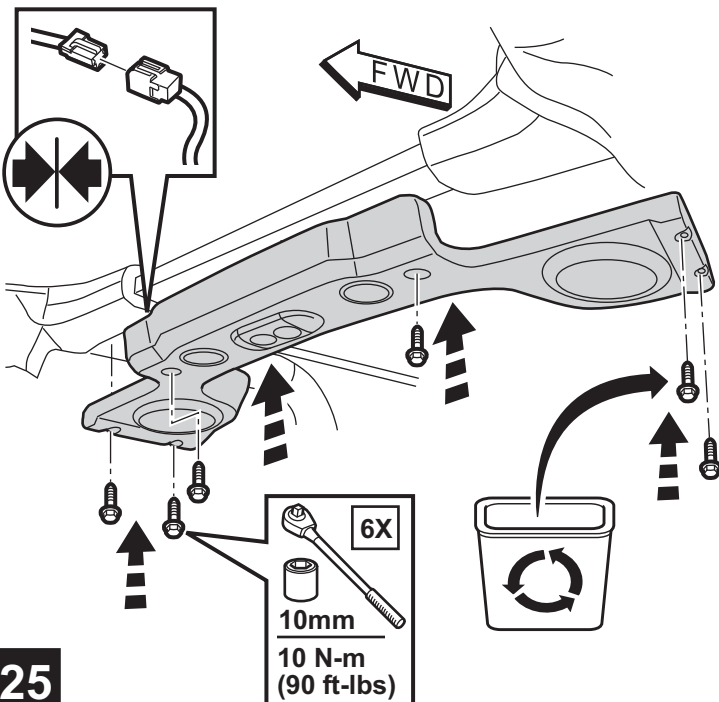


110°F
43°C

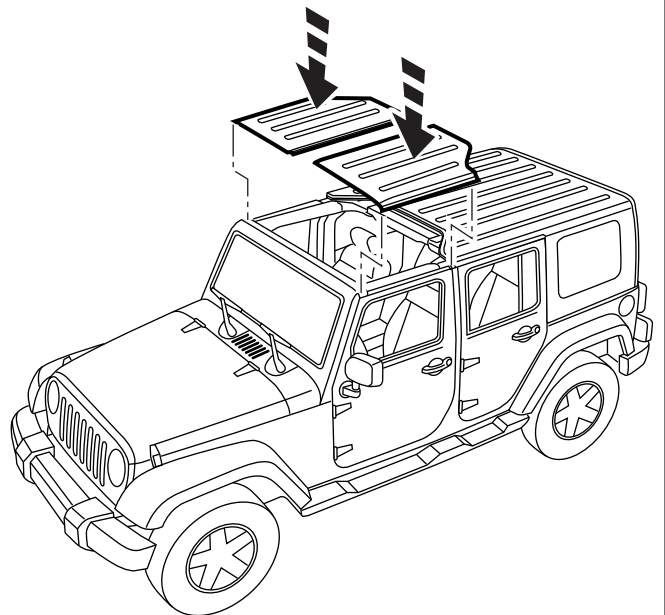
60°F
15°C



24



25



26