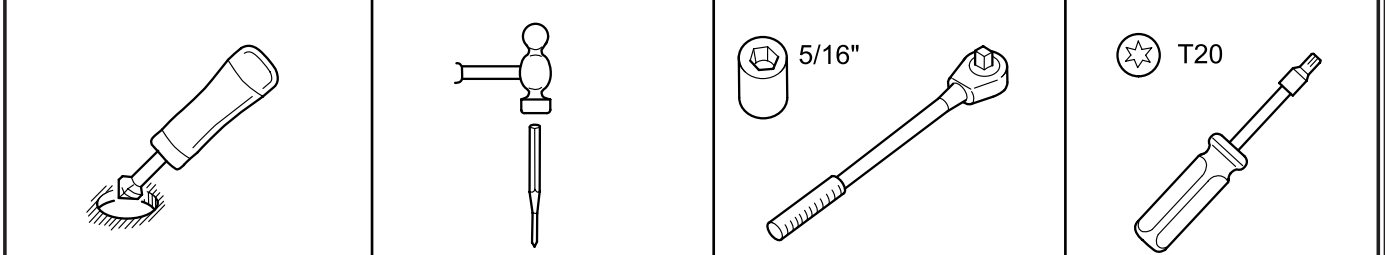
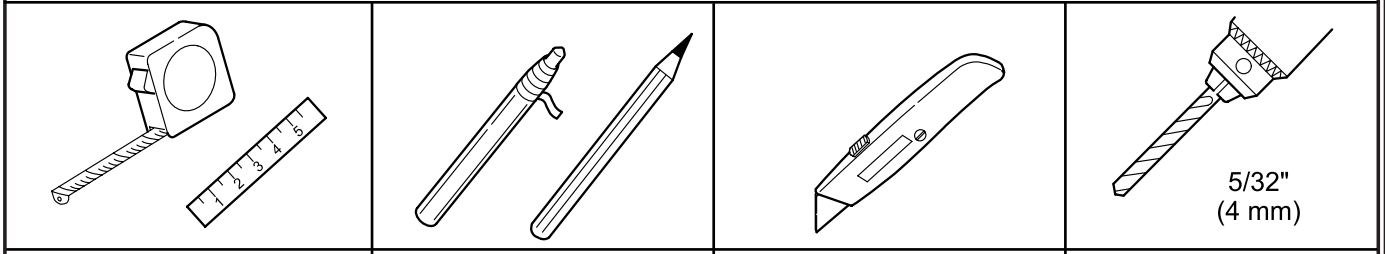
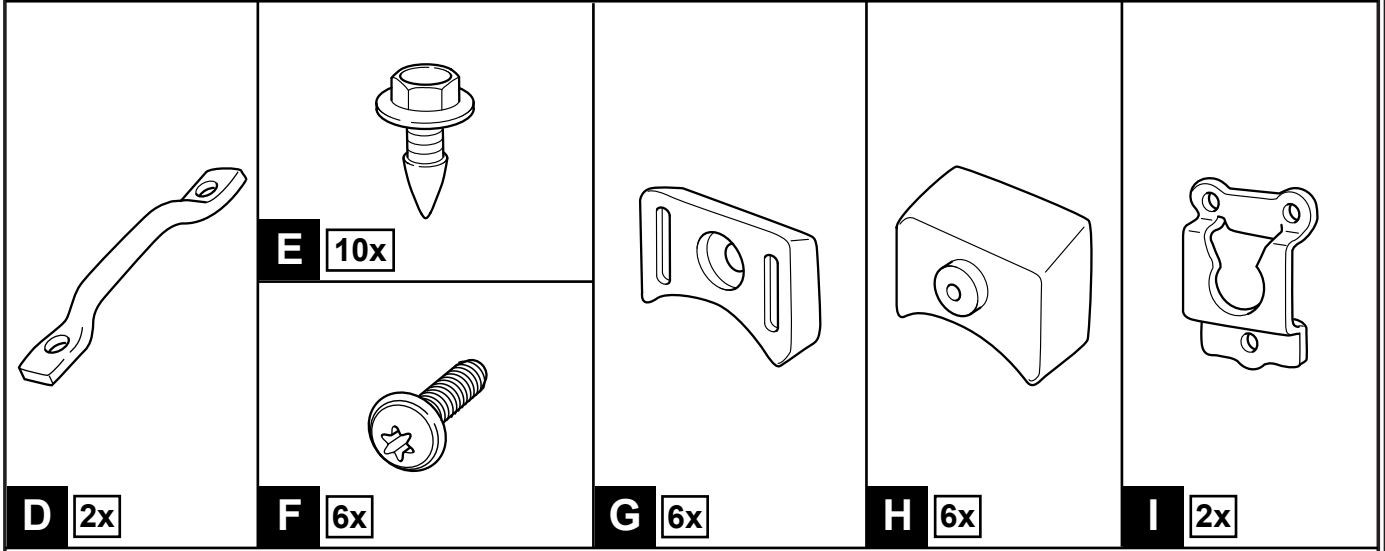
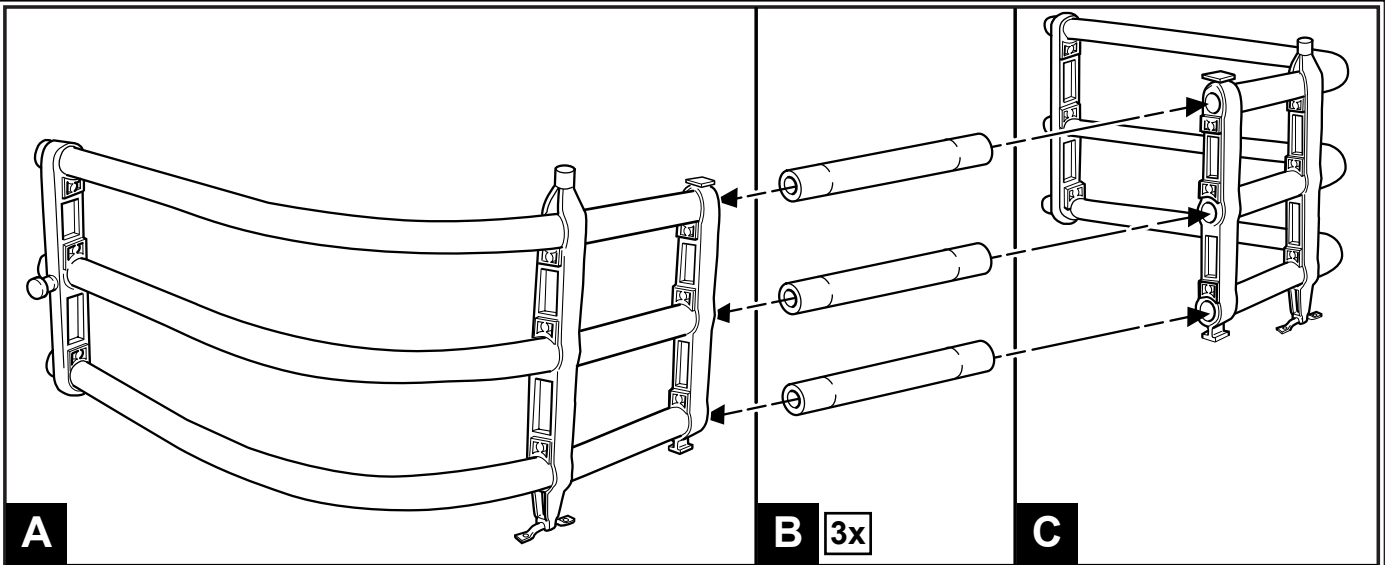
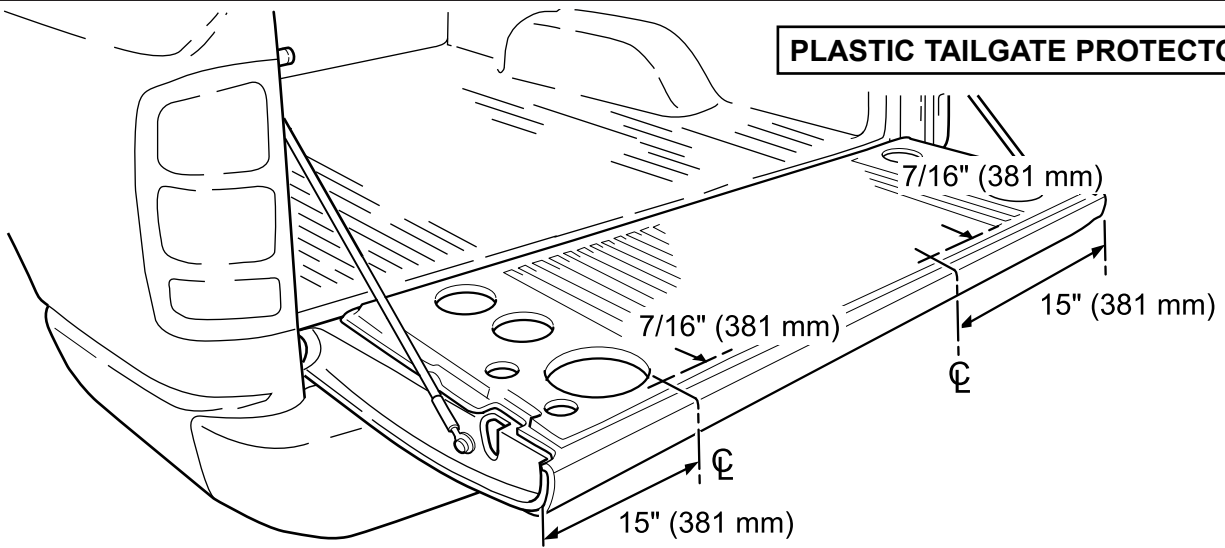




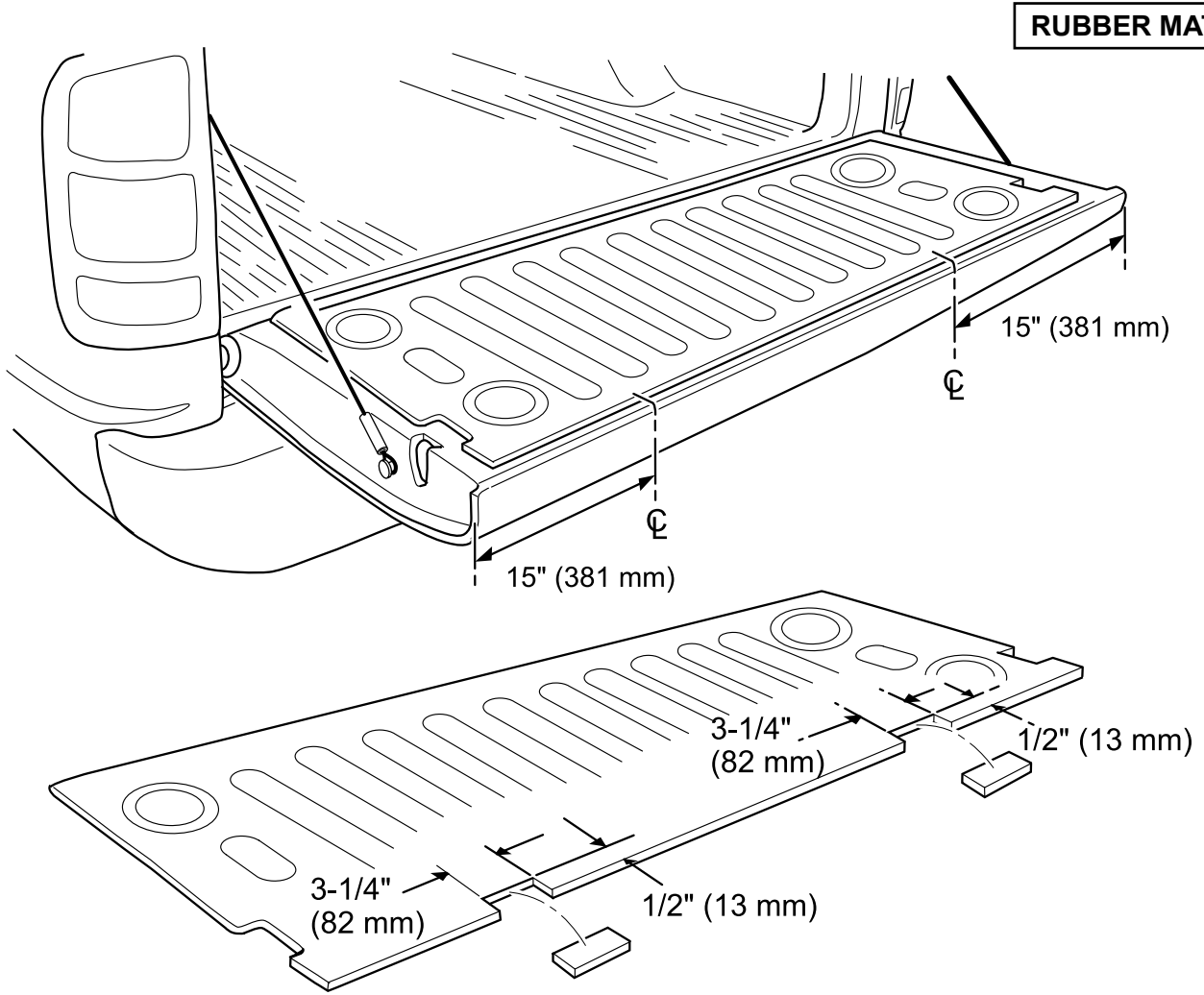
MOPAR®

DODGE RAM Bed Extender

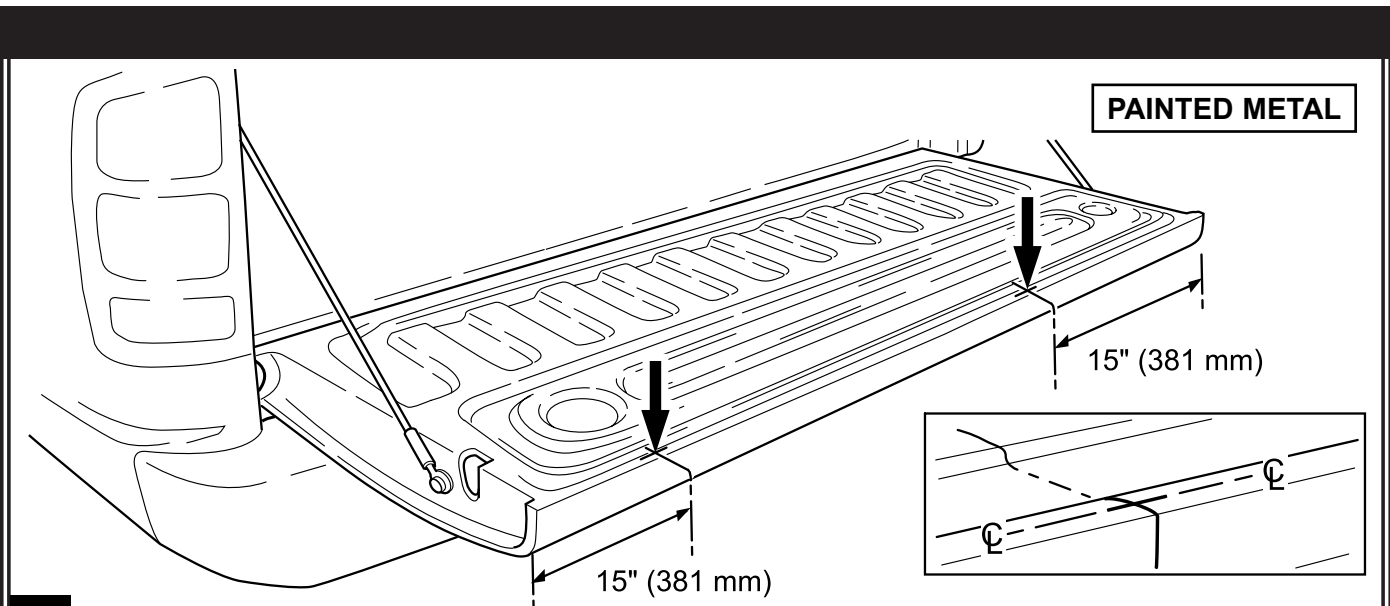




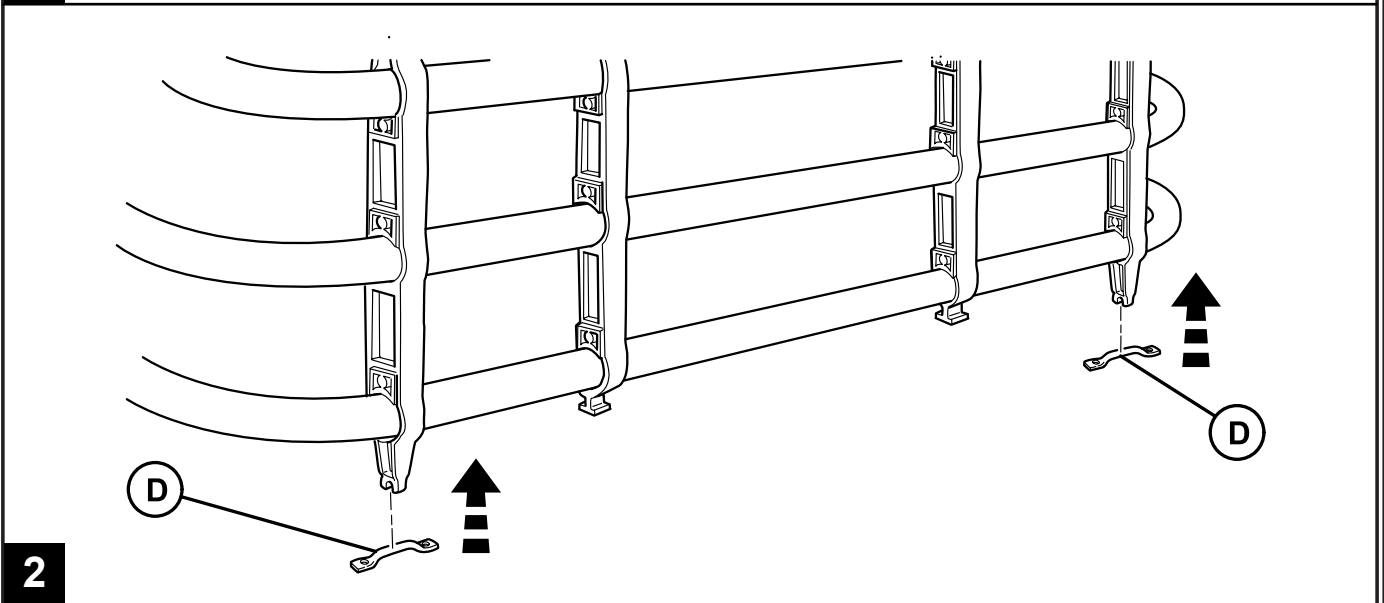
1A Measure and mark (2) center line locations for retention brackets (Item D).



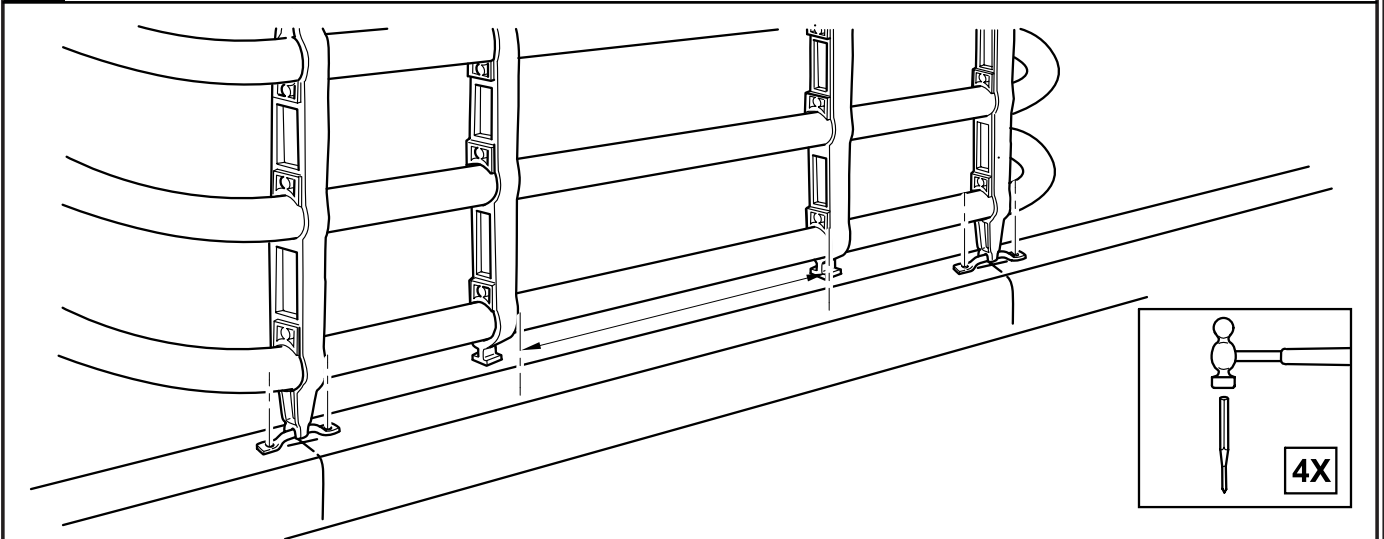
1B Measure and mark trim-out locations in rubber mat. Remove mat and trim-out notches. Re-install mat when bed extender installation is complete.



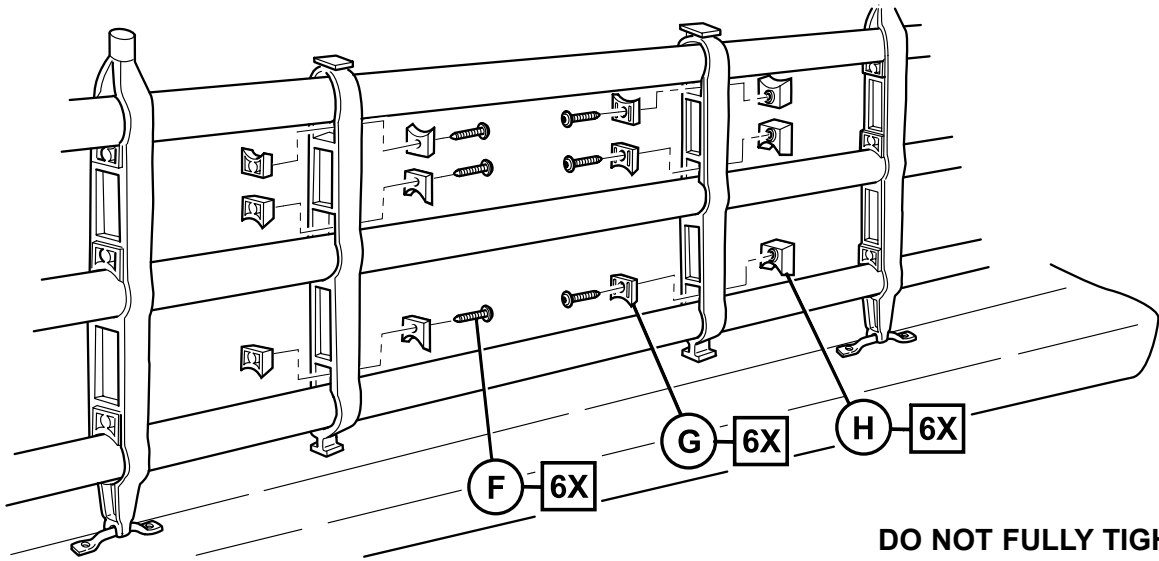
1C Measure and mark (2) center line locations for retention brackets (Item D).



2



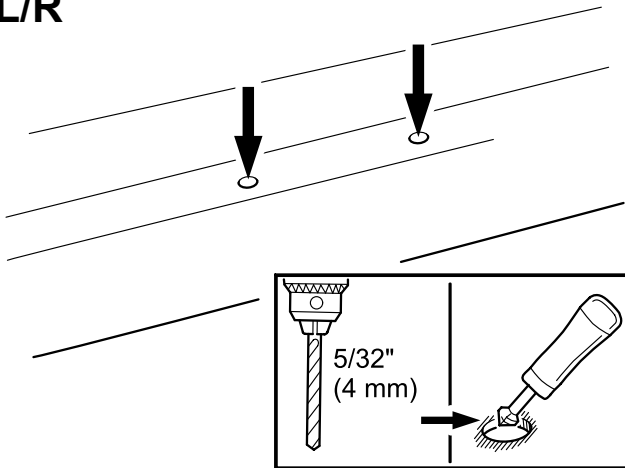
3 Adjust stanchions to center over the measured marks. Center punch (4) retention bracket mounting holes.



4

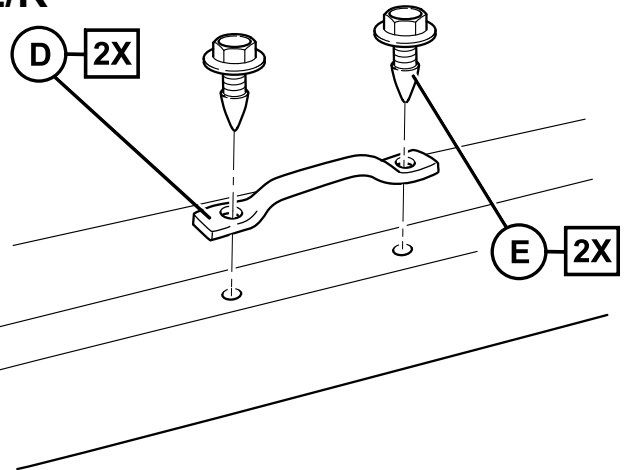
DO NOT FULLY TIGHTEN.

L/R



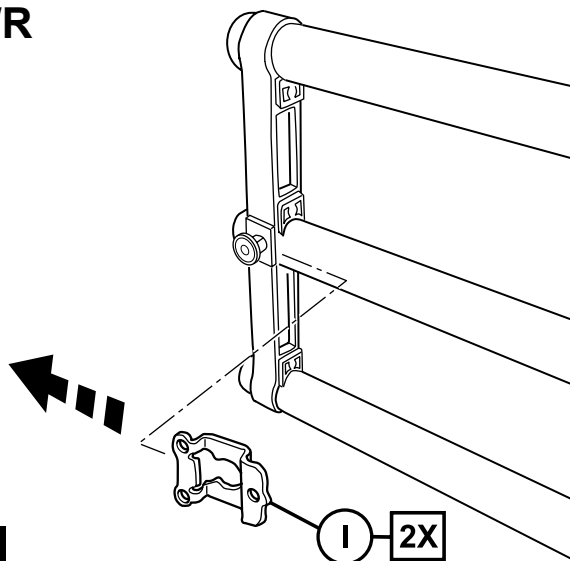
5 Remove bed extender and drill (4) retention bracket mounting holes.

L/R



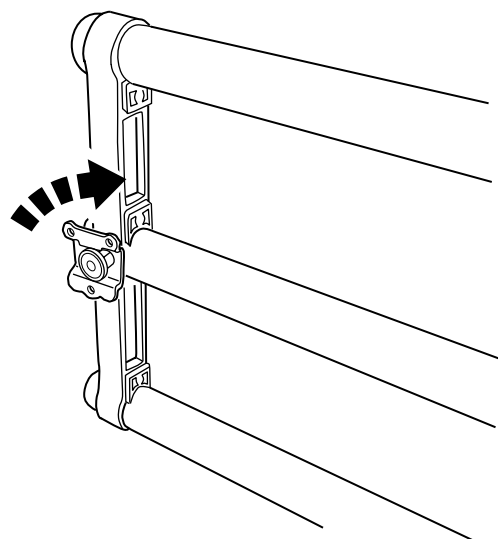
6 Install retention brackets.

L/R



7

L/R

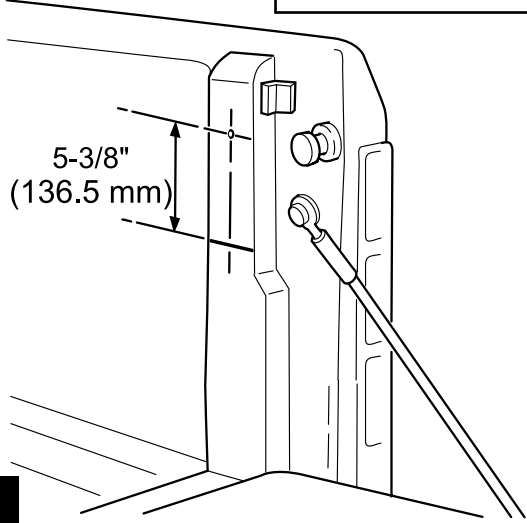


8

L/R

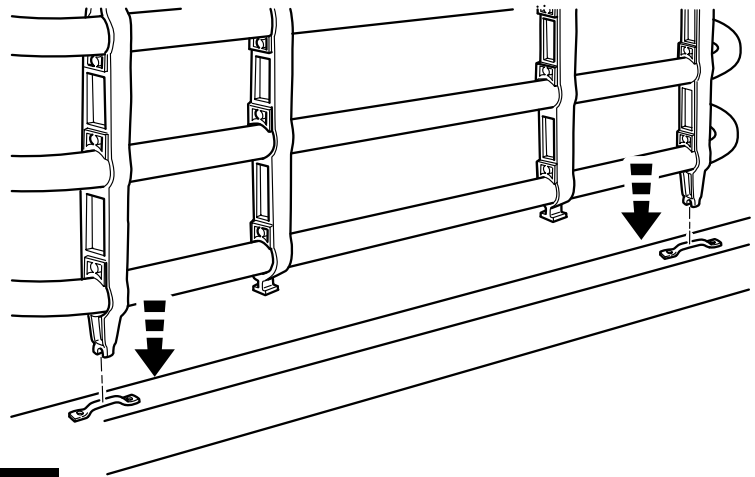
PAINTED METAL

5-3/8"
(136.5 mm)



9

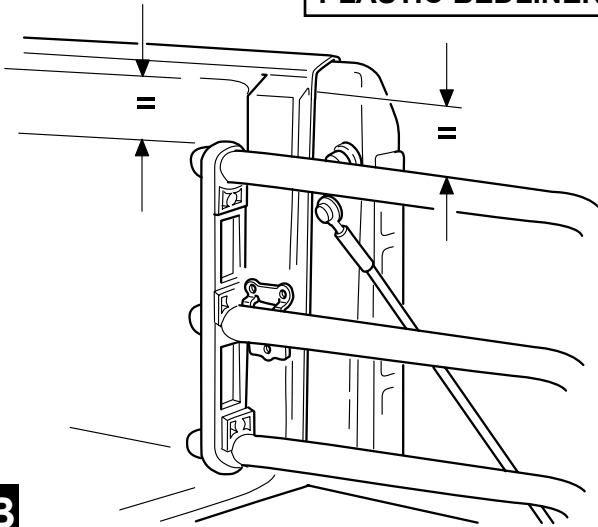
L/R



9A

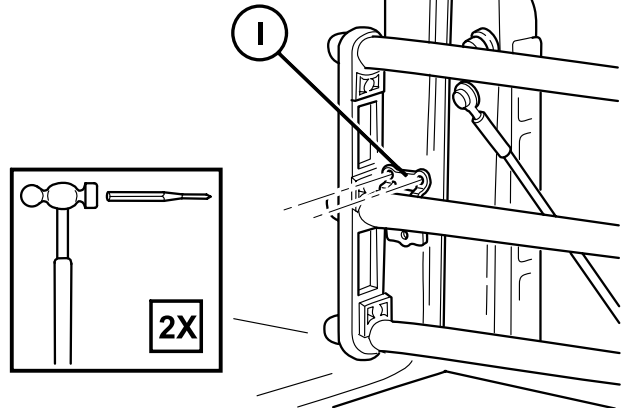
L/R

PLASTIC BEDLINER



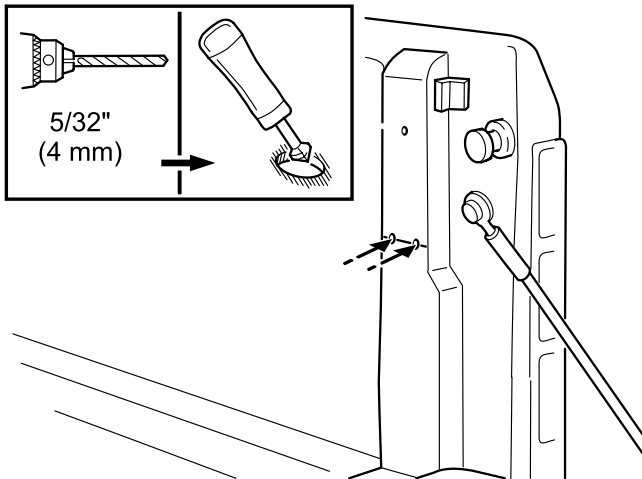
9B

L/R



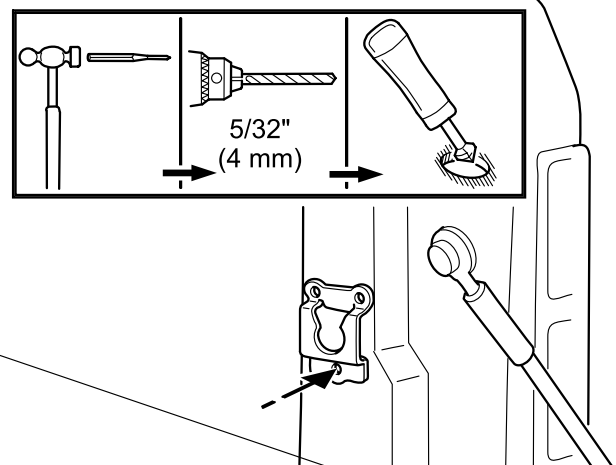
10 Center punch (2) top holes only.

L/R



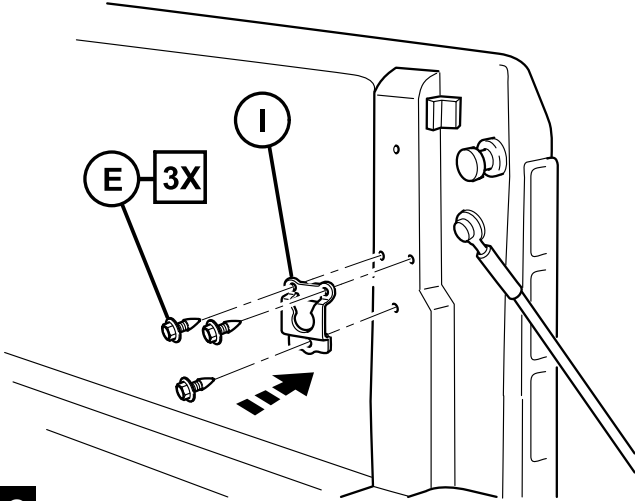
11 Drill (2) bracket mounting holes.

L/R

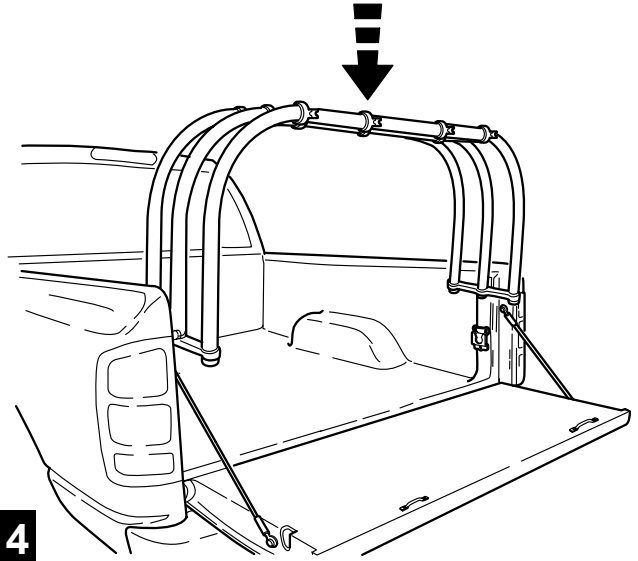


12 Center punch and drill (1) bracket mounting hole.

L/R

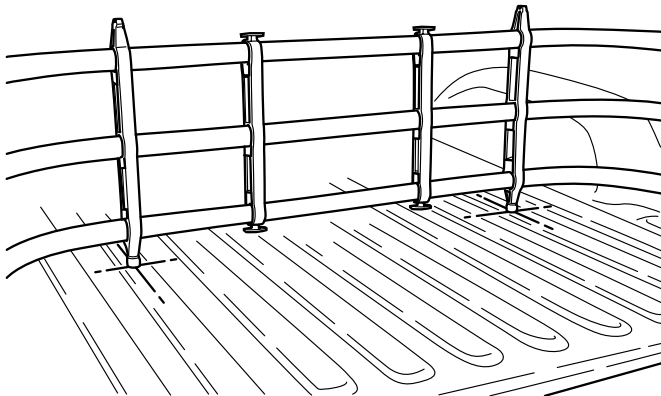


13



14

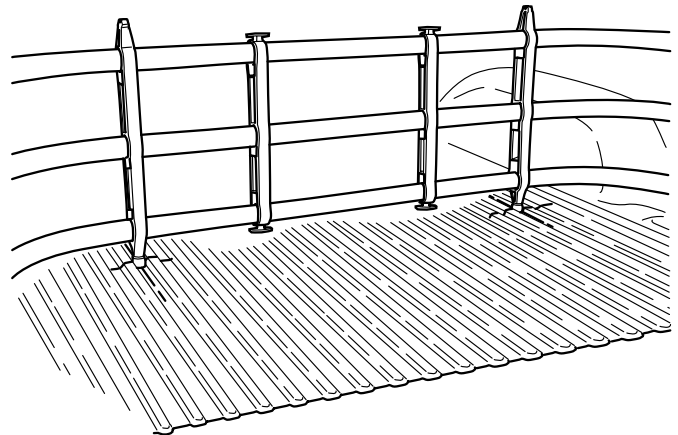
PAINTED METAL



15A

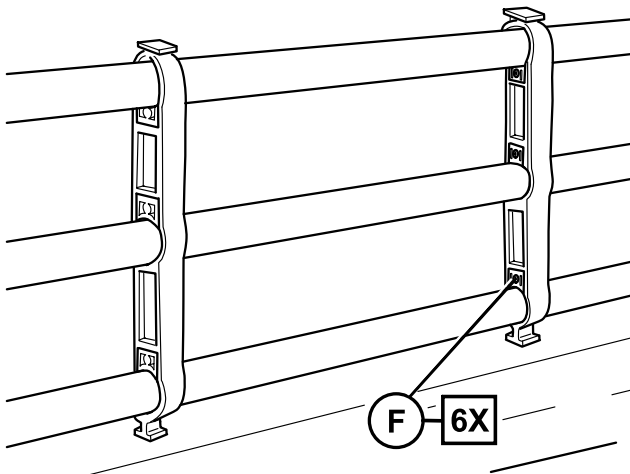
Adjust outer stanchions to center of raised bed ribs.

PLASTIC BEDLINER



15B

Adjust stanchions to recesses in bedliner.



16

Tighten (6) locking wedge screws.