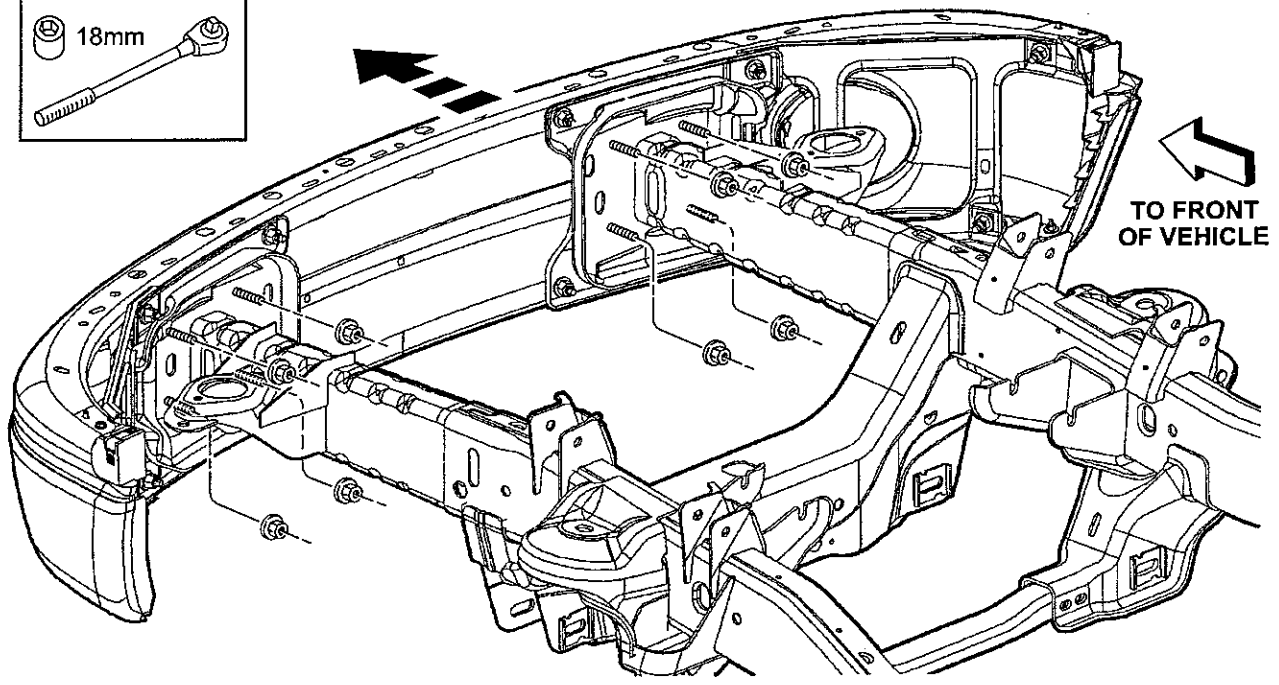
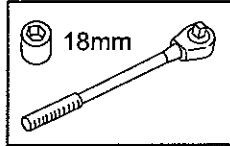


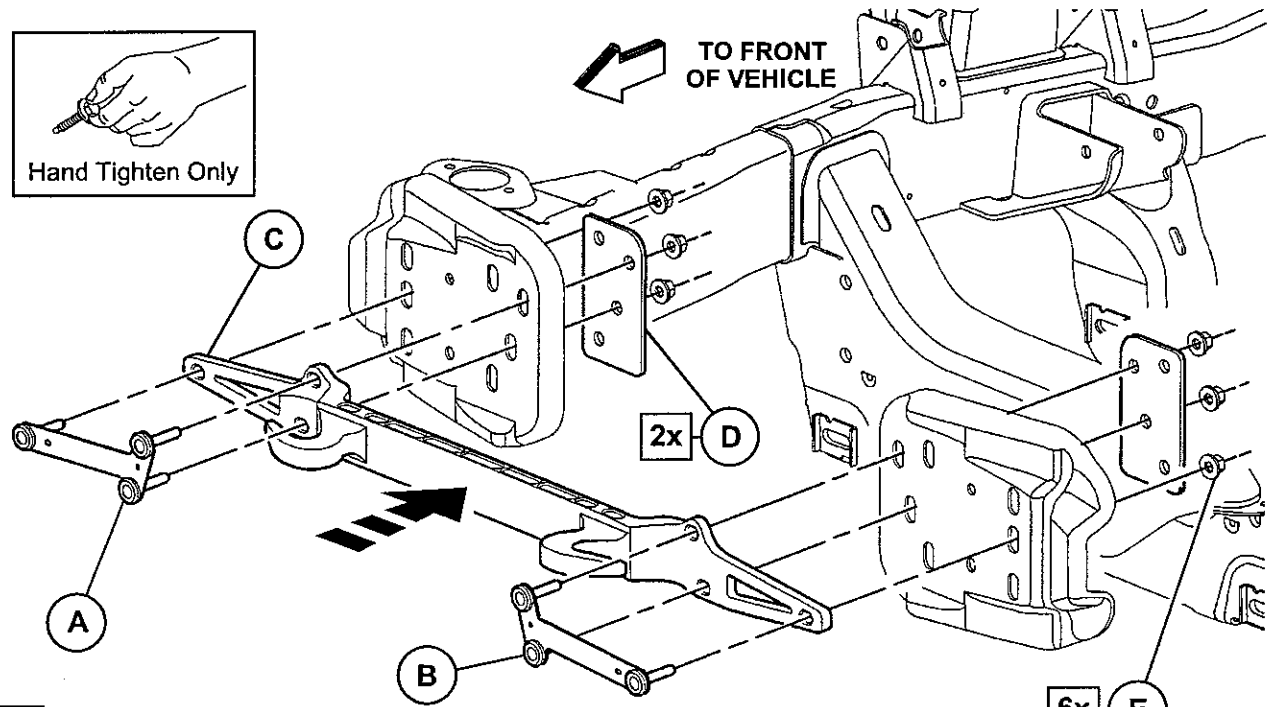


# DODGE RAM

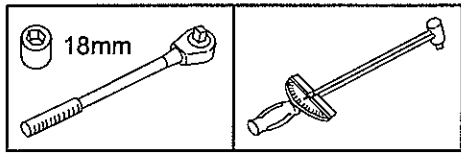
## Light Duty Front Tow Hook



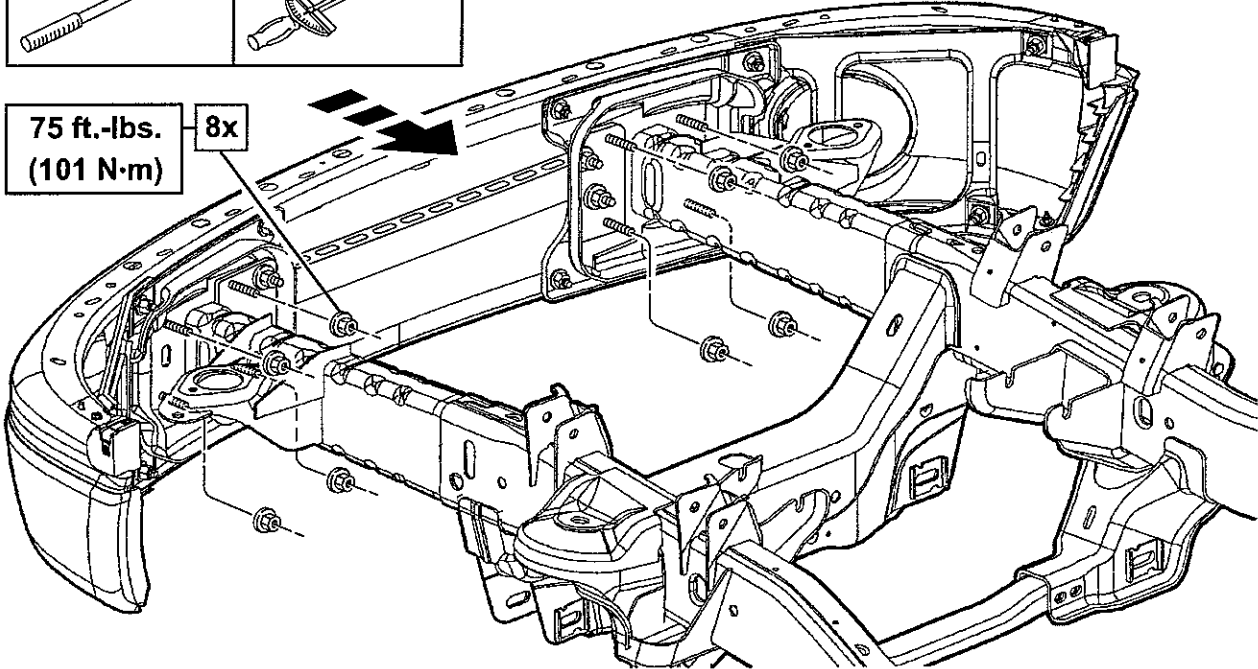
**1** Remove (8) front bumper mounting nuts. Remove the bumper.



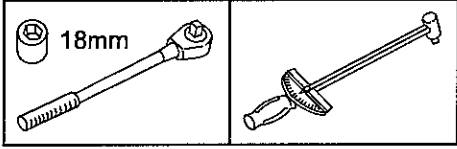
**2** Loosely install front tow hook assembly.



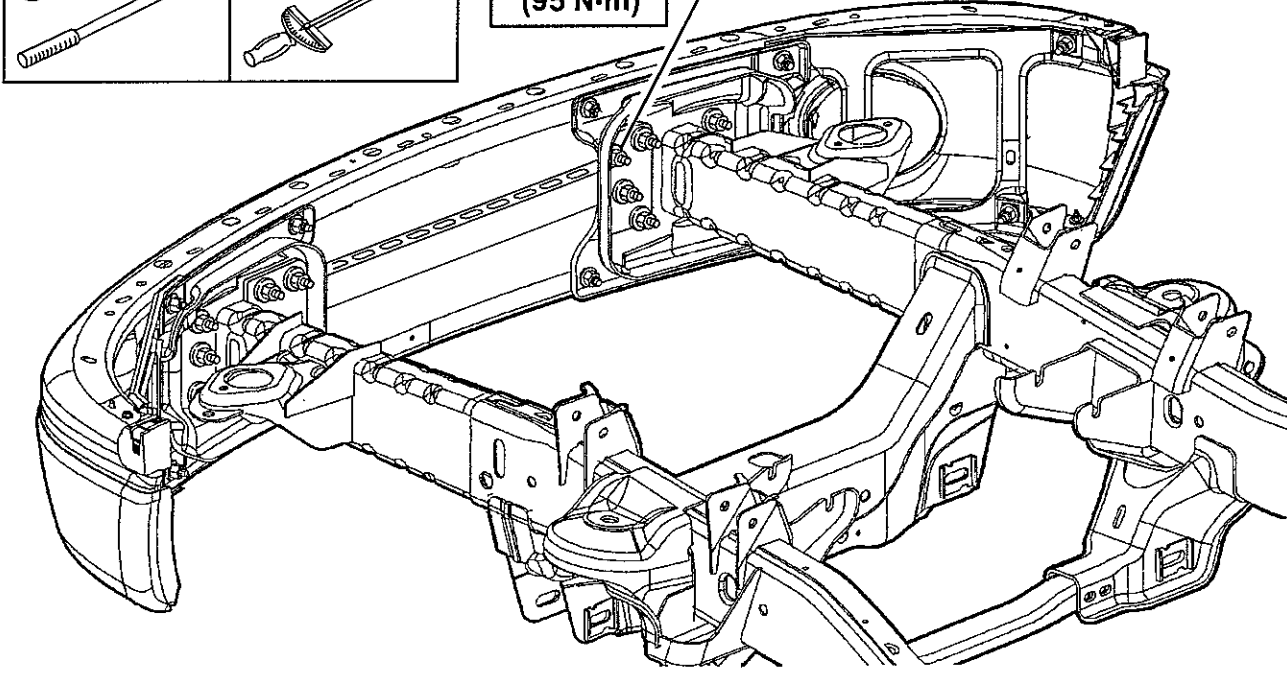
75 ft.-lbs.  
(101 N·m) 8x



**3** Re-install front bumper. Tighten (8) bumper mounting nuts.



70 ft.-lbs.  
(95 N·m) 6x



**4** Tighten (6) tow hook mounting nuts.