


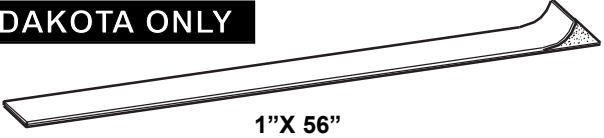

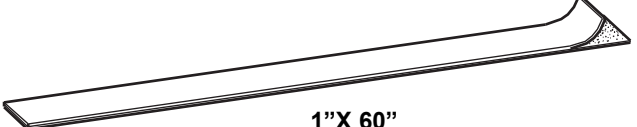

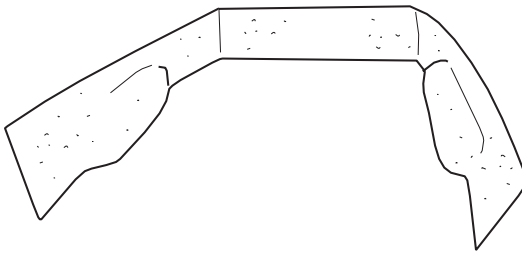
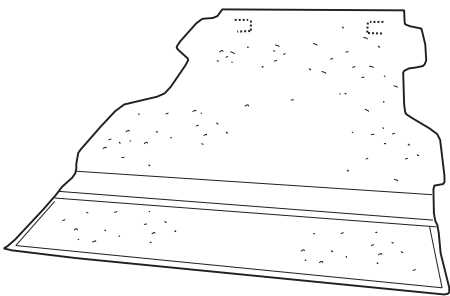




MOPAR®

DODGE RAM/DAKOTA

BedRug®

 <p>1" X 2"</p> <p>49x Ram  Step 1</p> <p>A 35x Dakota</p>	 <p>1" X 36"</p> <p>B 2x</p>	<p>DAKOTA ONLY</p>  <p>1" X 56"</p> <p>C 2x</p>
 <p>1" X 17.5" Ram</p> <p>1" X 15.5" Dakota</p> <p>D 2x</p>	<p>RAM ONLY</p>  <p>1" X 60"</p> <p>G 1x</p>	
<p>RAM ONLY</p>  <p>1" X 63.5"</p> <p>H 1x</p>		
<p>E</p> 	<p>F</p> 	

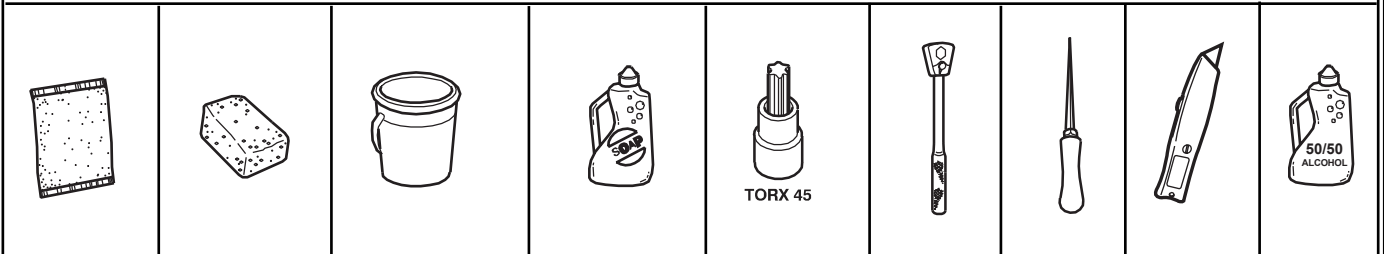
Subject to alteration without notice
 Reservadas modificaciones tecnicas
 Sous reserve de modifications techniques



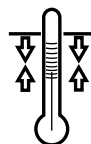
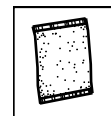
PERSONAL INJURY
 LESIONES PERSONALES
 RISQUE DE BLESSURE



VEHICLE DAMAGE
 DANO DE VEHICULO
 DOMMAGE AU VEHICULE

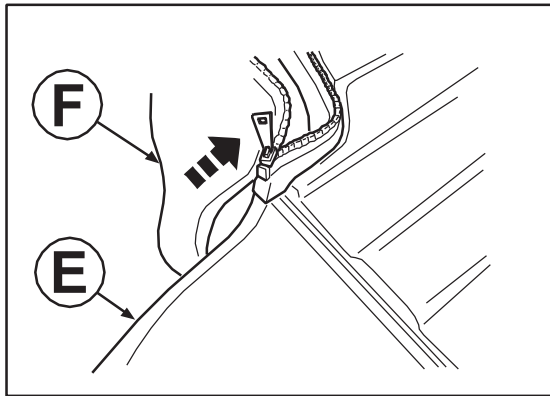


1 IMPORTANT: Review all instructions before beginning installation. Truck bed should be at least 68°F (20°C) for maximum adhesion. Clean all areas with alcohol / water mixture before applying tape. Do not remove backing from any tape until ready to adhere to the truck bed. When removing backing, do not touch adhesive. Extra adhesive strips have been provided in the kit for future use or if installer deems more fasteners are necessary for better fit/appearance.

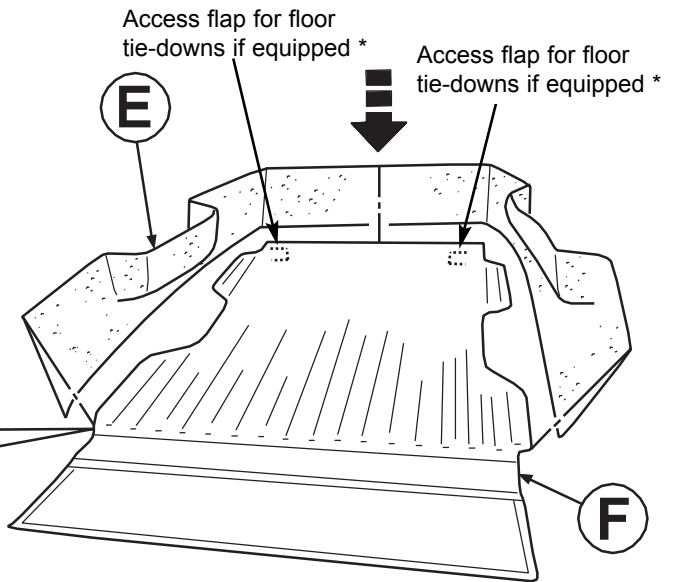


ABOVE
68°F/20°C

ASSEMBLING THE BEDRUG



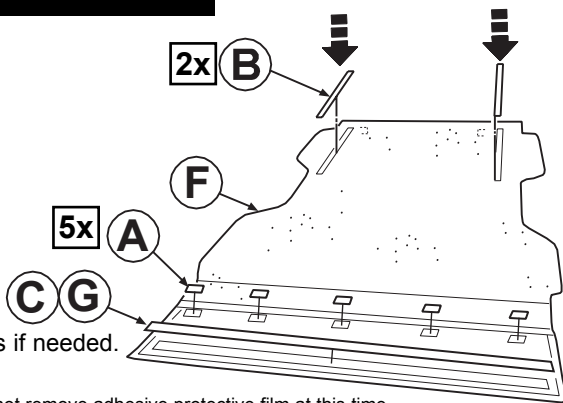
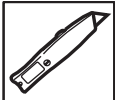
Zip item (E) to (F).



2 * Dakota Club Cab Model Only

INSTALL ITEMS A, B, C/G TO UNDERSIDE OF THE BEDRUG FLOOR

Steps 7, 11 & 12

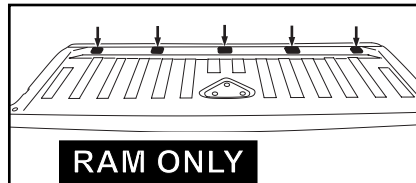


Trim excess if needed.



DAKOTA ONLY

For Dakota tailgate, Item A locations must line up with raised vertical portion of the tailgate "rib" as shown when the BedRug is fully installed.

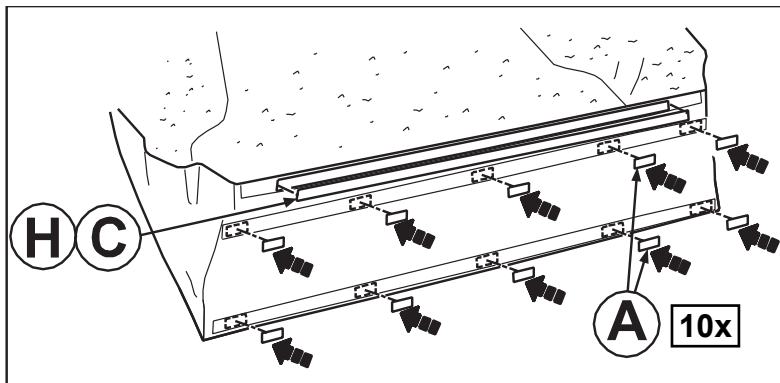


RAM ONLY

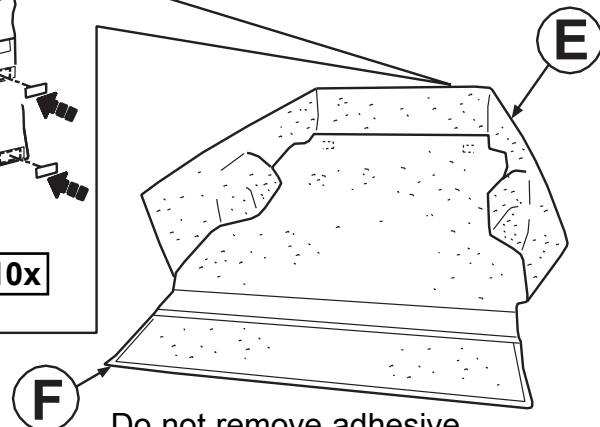
For Ram tailgate, Item A locations must line up with the long horizontal flat section of the tailgate as shown when the BedRug is fully installed.

3 Do not remove adhesive protective film at this time.

Step 8



Apply item A to the hook and loop strip on the BedRug, as shown. Also apply item C to the top hook and loop strip on the BedRug as shown.




Do not remove adhesive protective film at this time.

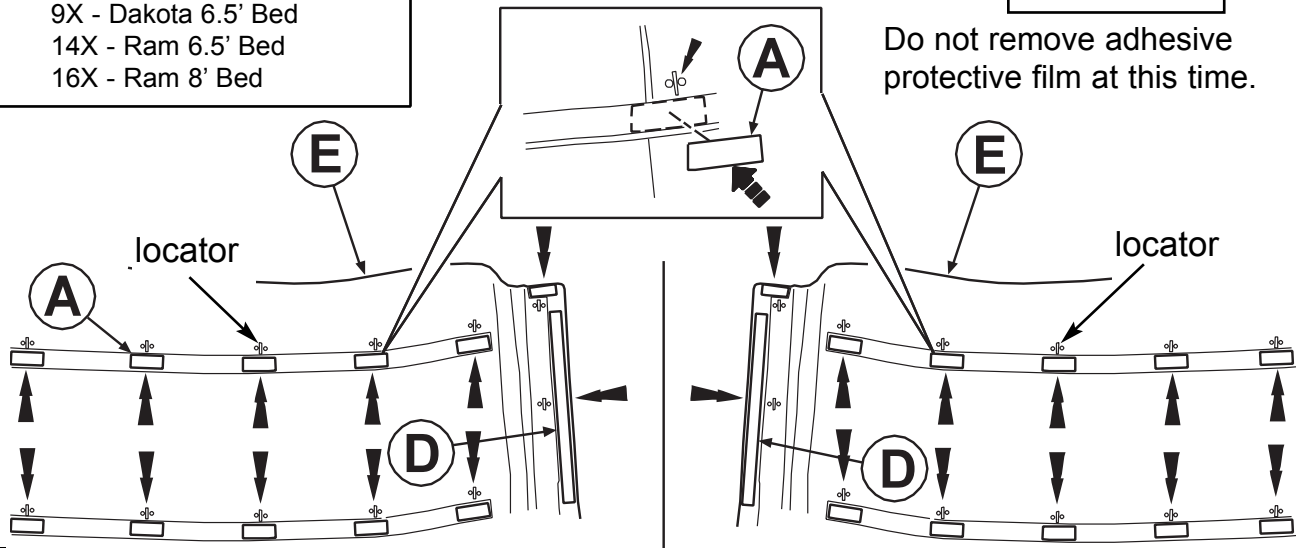
4

Item A quantities per side

- 8X - Dakota 5' Bed
- 9X - Dakota 6.5' Bed
- 14X - Ram 6.5' Bed
- 16X - Ram 8' Bed

 **Step 10**

Do not remove adhesive protective film at this time.

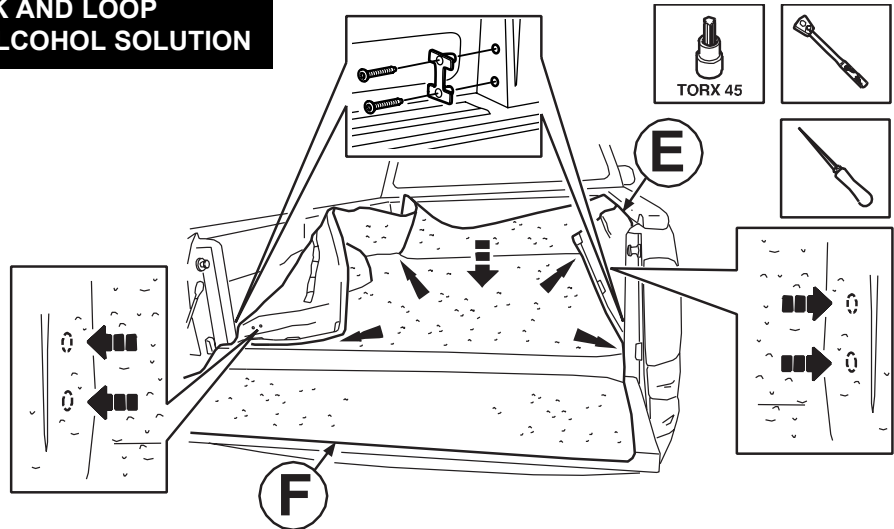


5

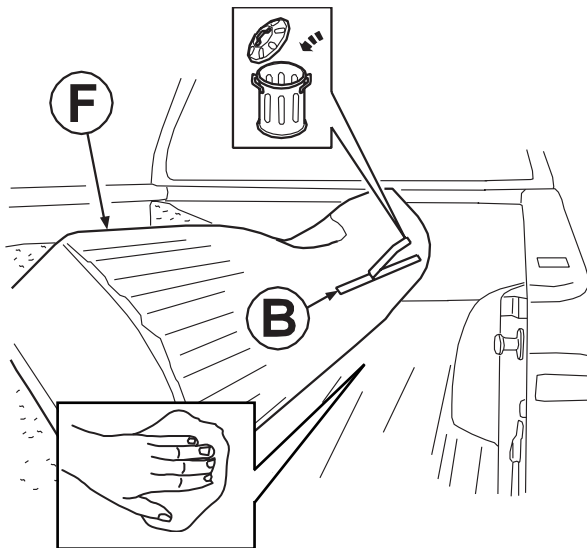
Apply 1x2 hook tape (A) at locators on side panels and install (D).

IMPORTANT-CLEAN BOX BED HOOK AND LOOP ATTACHMENT AREAS WITH 50/50 ALCOHOL SOLUTION

- 1) Remove all tie-downs (if equipped)
- 2) Locate BedRug assy in the truck bed
- 3) Best to position the BedRug assy - front to rear and left to right by aligning all edges and tucking corners into place. **AT THIS TIME, VERIFY THE FOLD OF THE BEDRUG IS ALIGNED AT THE OPENING BETWEEN THE TAILGATE AND THE TRUCK BED. IF ALIGNMENT DOES NOT MATCH, FIT RE-ADJUSTMENT IS NECESSARY.**



6



- 1) Roll the BedRug floor to you, exposing the 3m fastener (item B) located on the BedRug bottom.
- 2) Clean attachment area thoroughly.
- 3) Remove the film.
- 4) Roll the BedRug sidewall back in place.
- 5) Firmly press the Bed Rug top-side for 15 seconds to insure adhesive attachment of Item B.
- 6) Repeat for other side.

IMPORTANT-CLEAN BOX BED HOOK AND LOOP ATTACHMENT AREAS WITH 50/50 ALCOHOL SOLUTION

7

IMPORTANT-CLEAN BOX BED HOOK AND LOOP ATTACHMENT AREAS WITH 50/50 ALCOHOL SOLUTION

2008 Dakota Models equipped with Cargo Rail System. Cut horizontally along lower edge of loop (in line with notch) and vertically just outboard of stitch line on both sides of Item E.

- 1) Fit top edge of BedRug to top edge of Body panel to determine best location for item A.
- 2) Install item A first at the bottom and work towards the top while maintaining proper fit of item E to the top edge of the body panel.
- 3) Install item C or H.

Remove tie-downs, if equipped. Modify backside of the BedRug to either add 2 slits for screws or long slit for tie-down loops.

8

9

IMPORTANT-CLEAN BOX BED HOOK AND LOOP ATTACHMENT AREAS WITH 50/50 ALCOHOL SOLUTION

For 2008 Dakota Models equipped with Cargo Rail System, the BedRug will tuck under the Cargo Rail System.

- 1) Rotate the Bed Rug up to access Items C/G and A.
- 2) Clean surface areas
- 3) Remove Adhesive Protective Film from Item C/G.
- 4) Remove Adhesive Protective Film from Item A.

Rear vertical edge of BedRug should be positioned to match D-pillar surface. Start at front and working rearward begin removing film from Item A bottom to top front to back.

10

11

Tailgate Without Spoiler

- 1) Locate upper adhesive placement:
 - Trucks w/o Spoiler, the BedRug should Match the top of Tailgate
 - Trucks w/Spoiler, the BedRug should be placed beneath the lower spoiler edge.**DO NOT ATTACH THE BEDRUG TO THE SPOILER.**

Tailgate With Spoiler

- 2) With your hand, flatten the BedRug to match tailgate.
- 3) Now firmly press BedRug to attach all the lower item A.

12

Do NOT attempt to close Tailgate UNLESS the rear floor area is FREE from any debris including ice or snow. Damage to the tailgate and/or personal injury could occur.

After installation is complete, tuck BedRug material between the tailgate and truck bed.

13