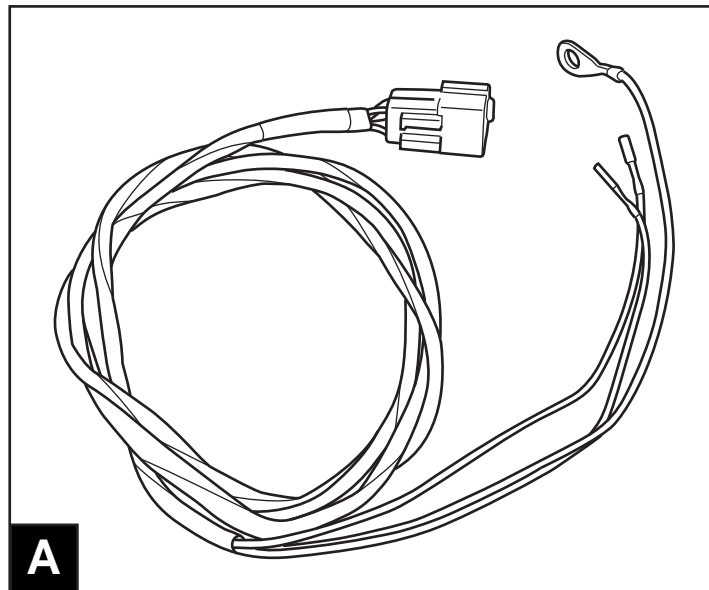


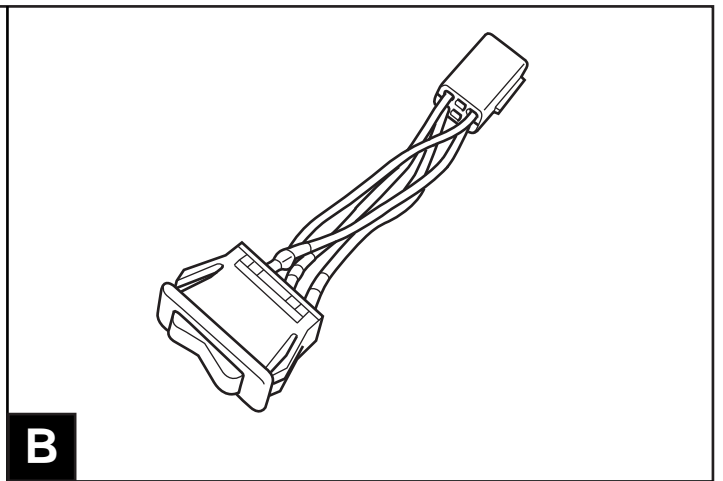


MOPAR®

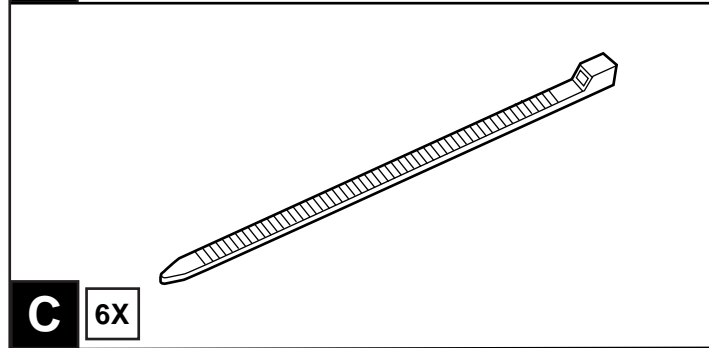
DODGE VIPER AUTOVOLUME CONTROL



A

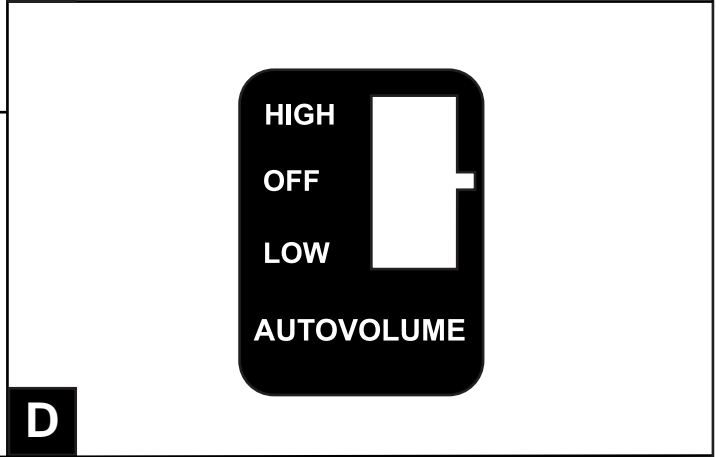


B

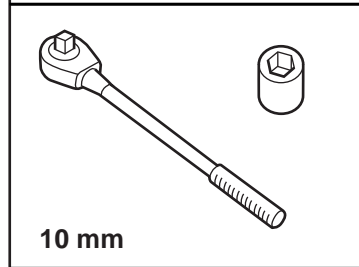
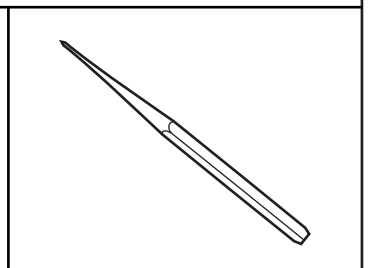
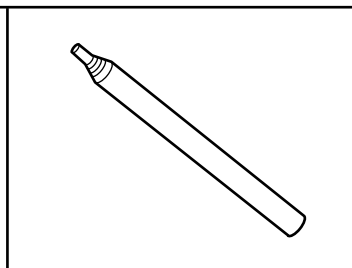
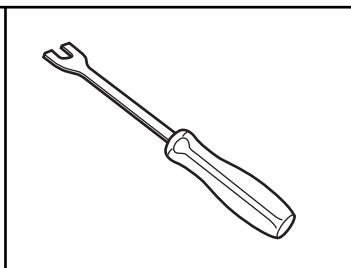
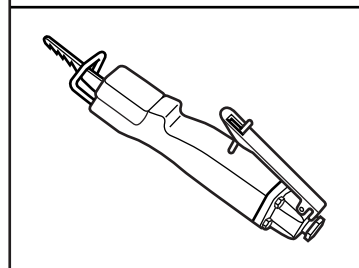


C

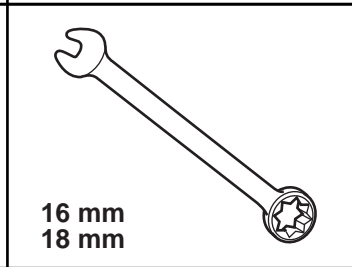
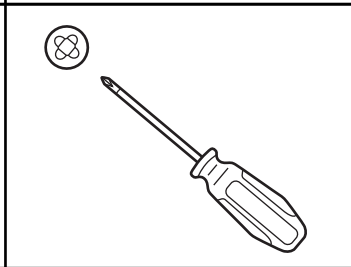
6X



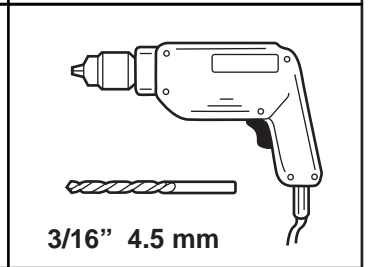
D



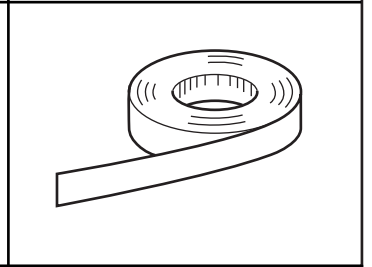
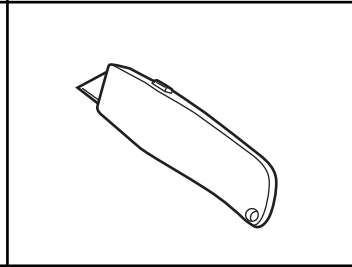
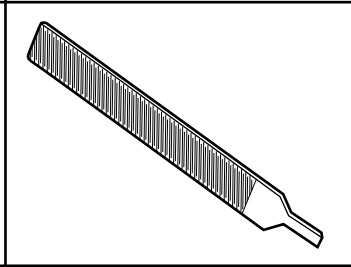
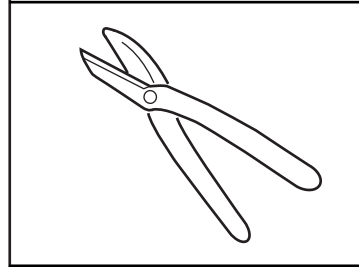
10 mm

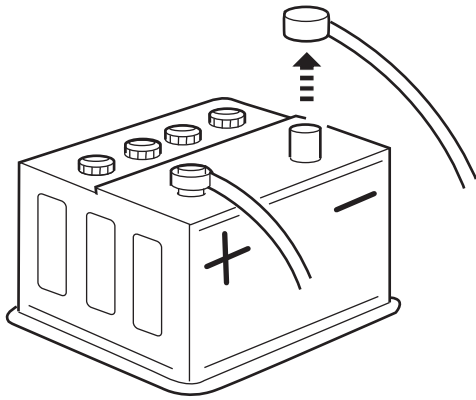


16 mm
18 mm

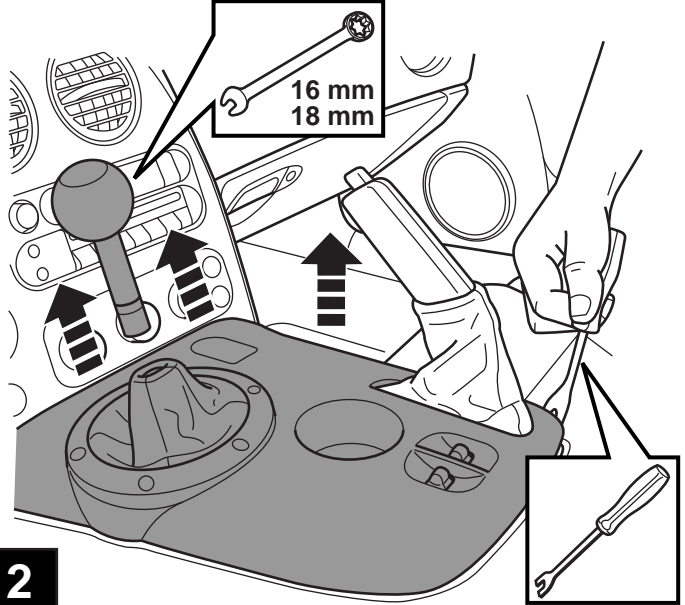


3/16" 4.5 mm

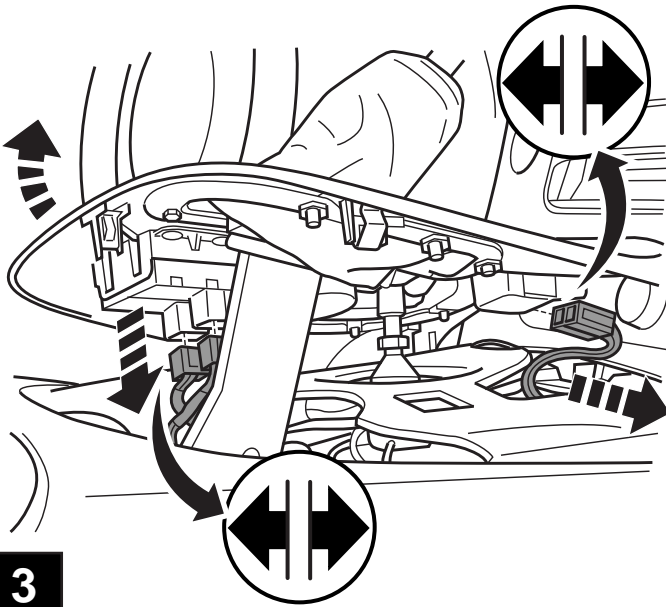




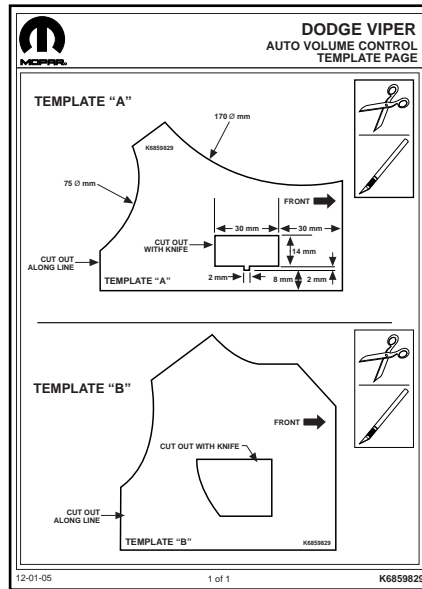
1



2

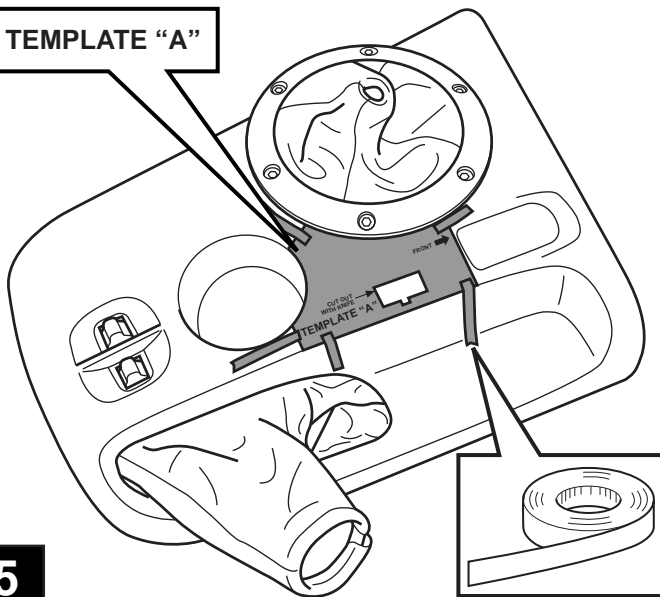


3

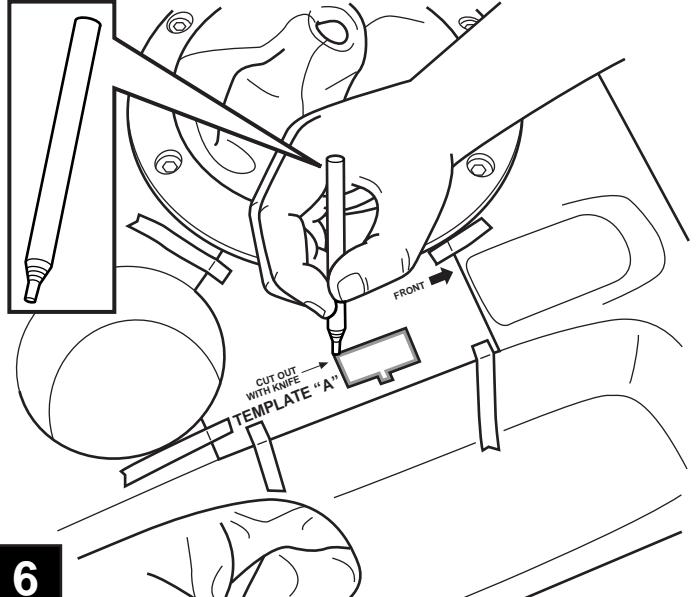


4

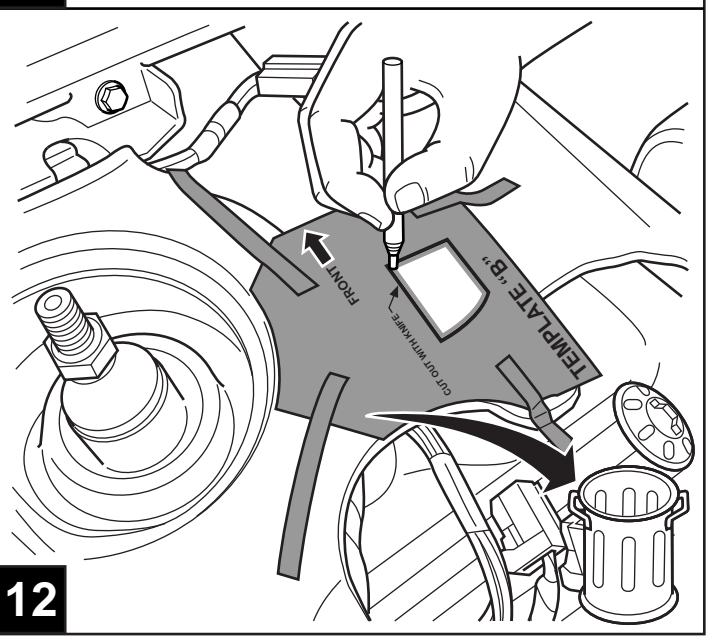
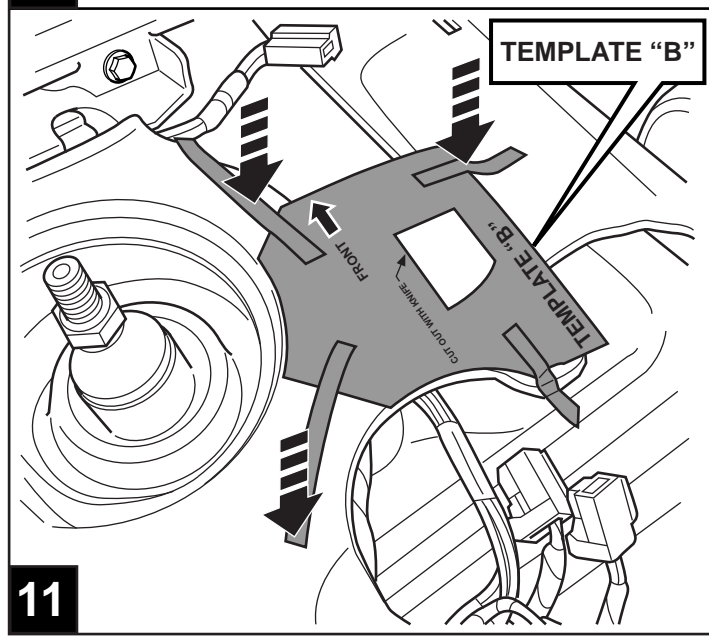
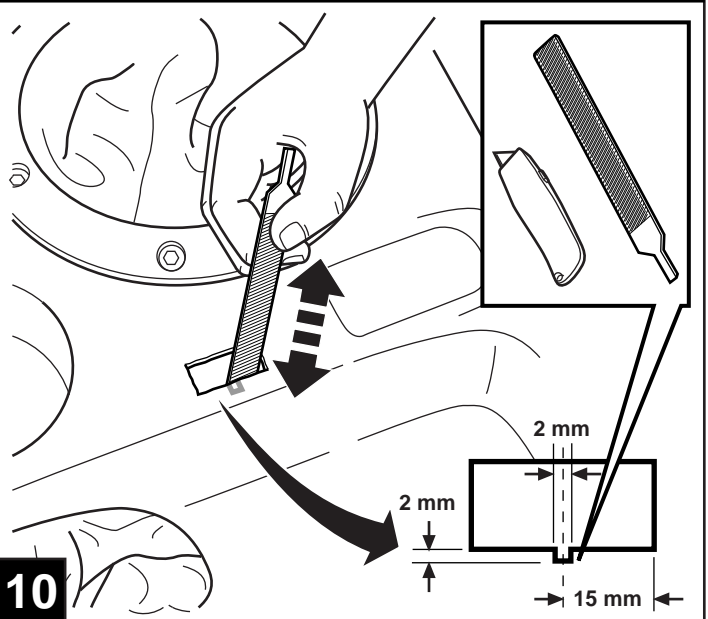
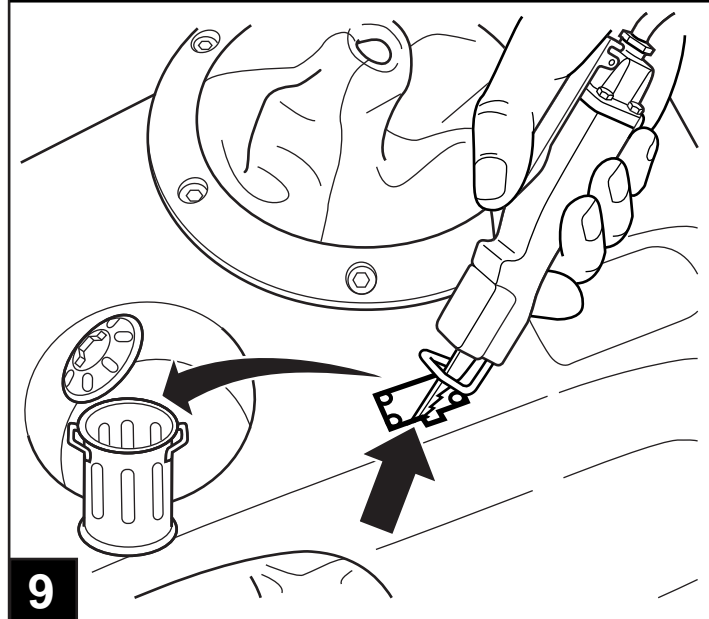
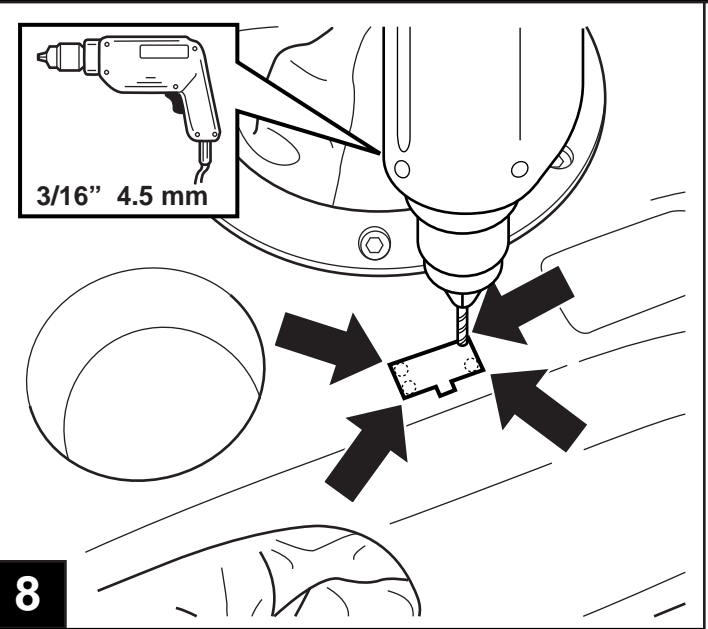
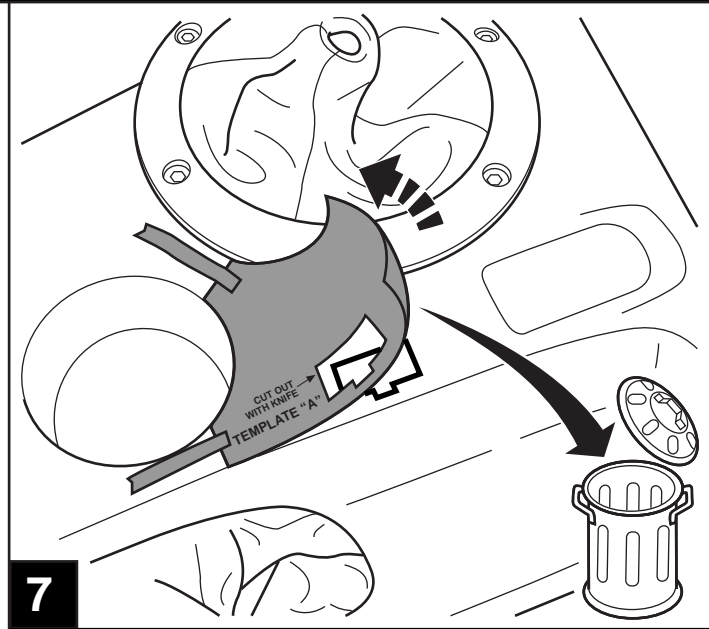
TEMPLATE "A"

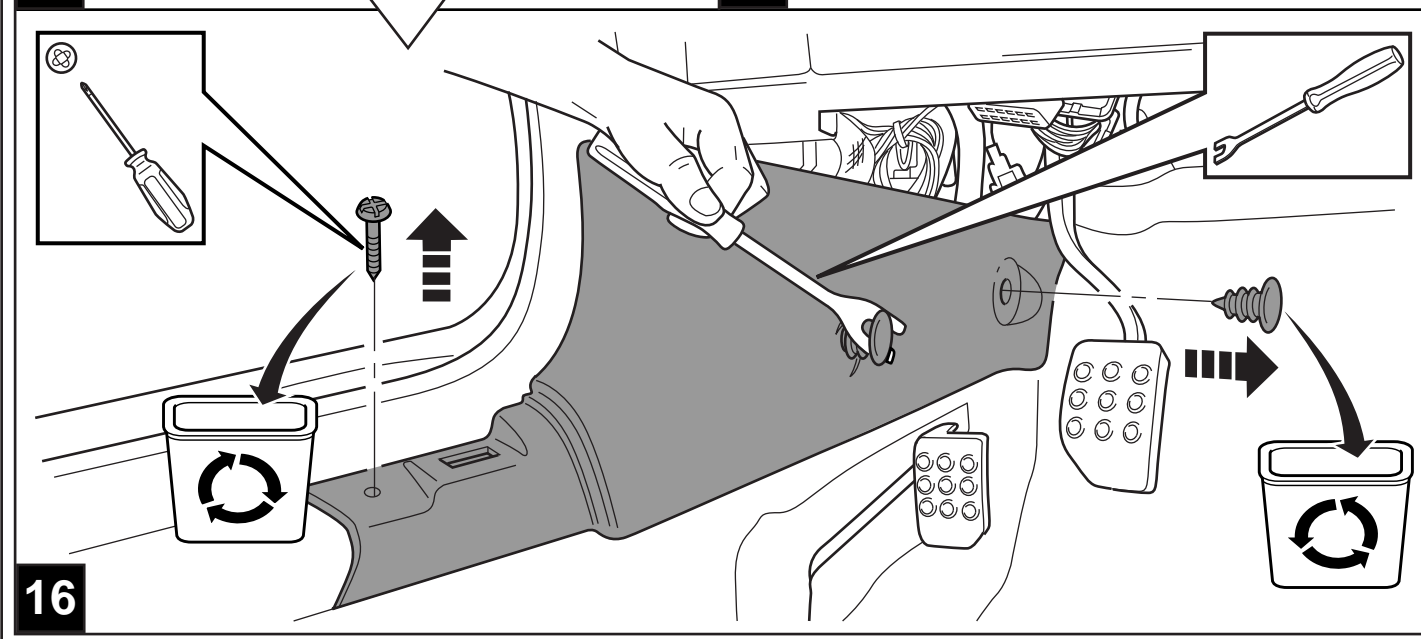
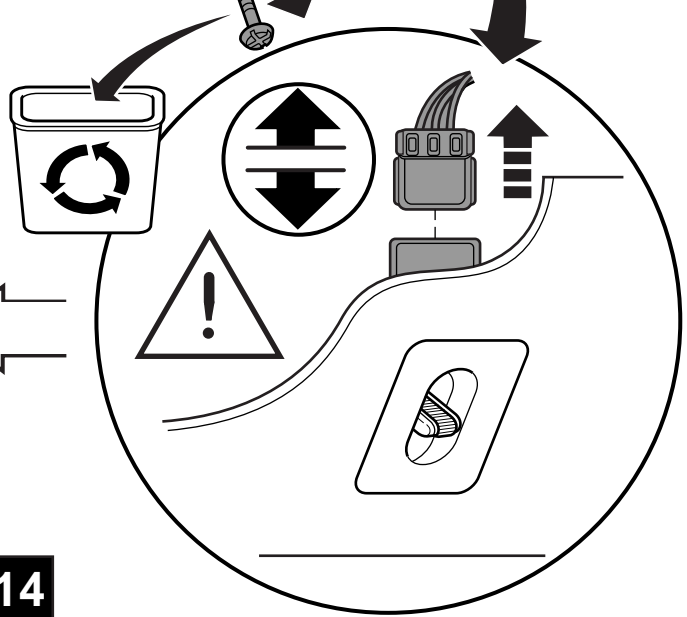
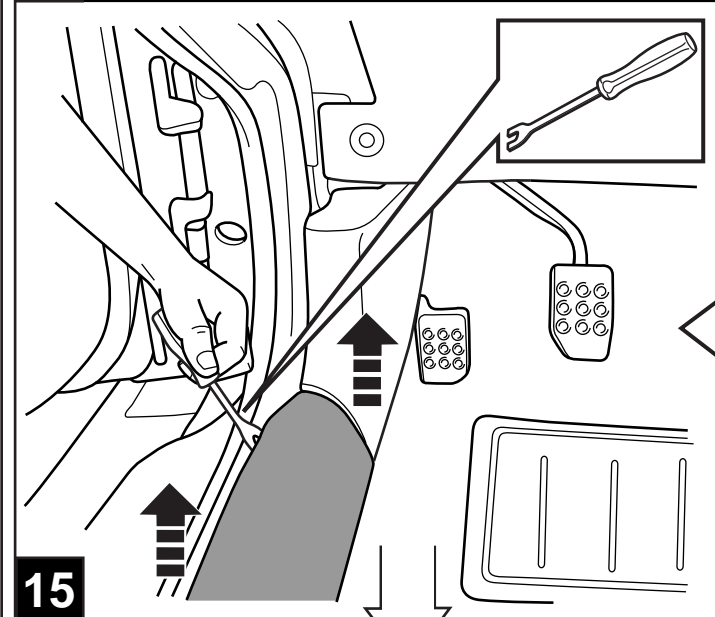
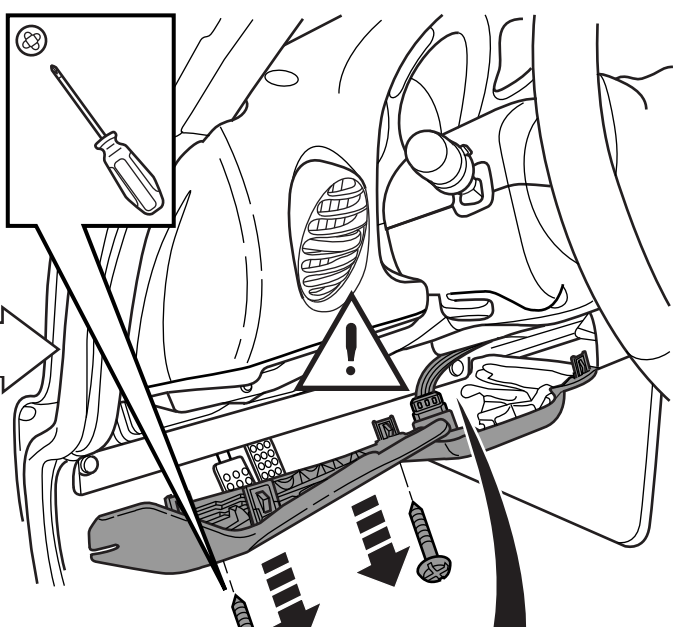
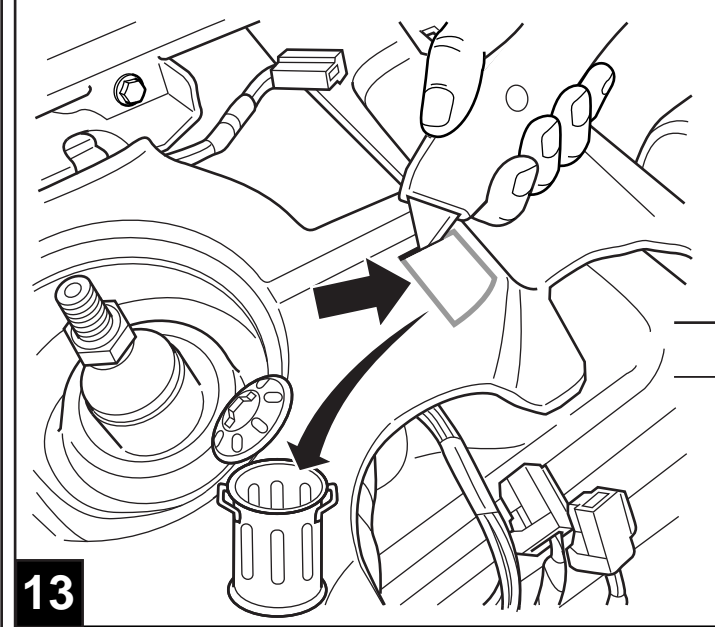


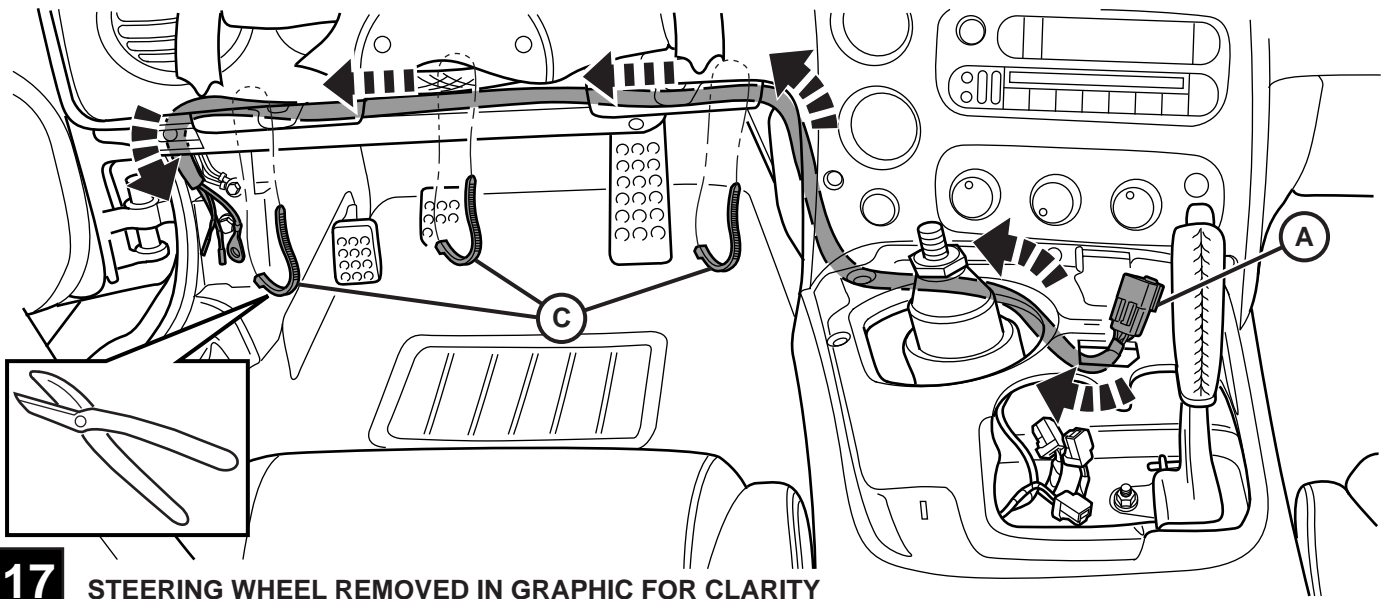
5



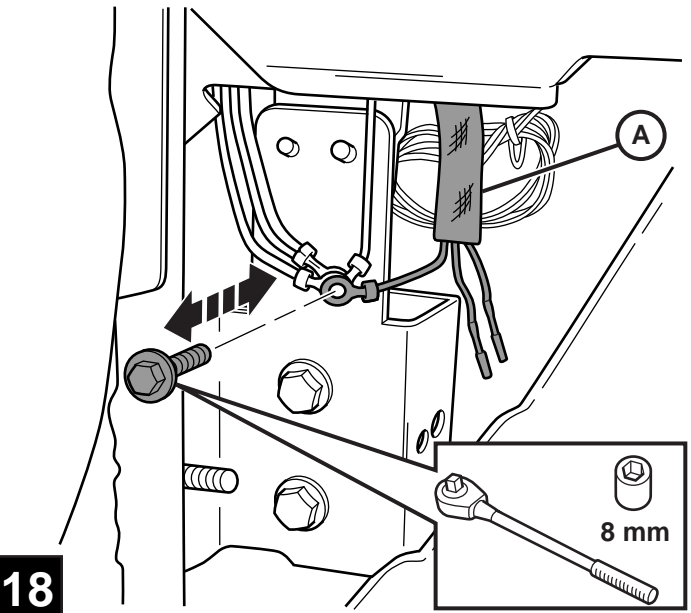
6



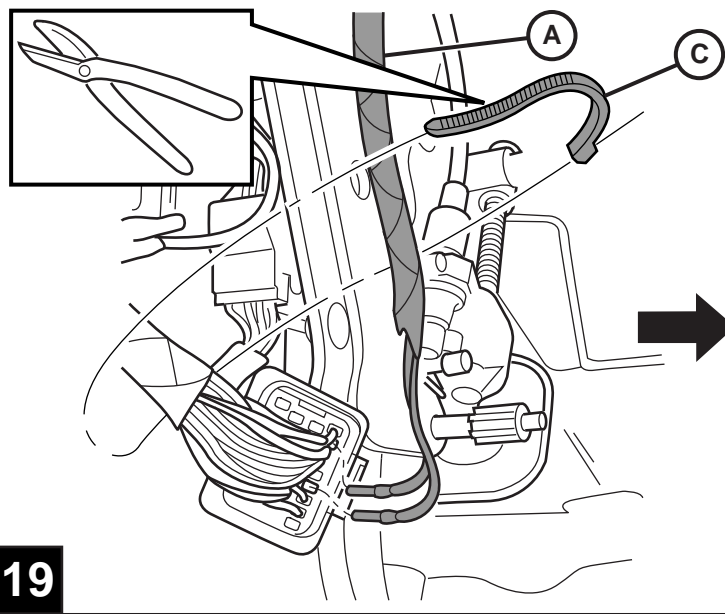
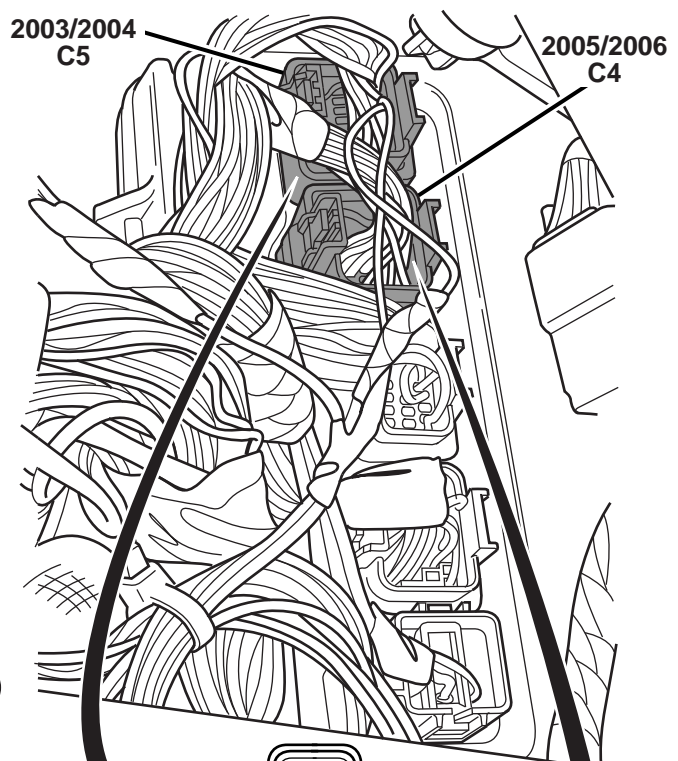




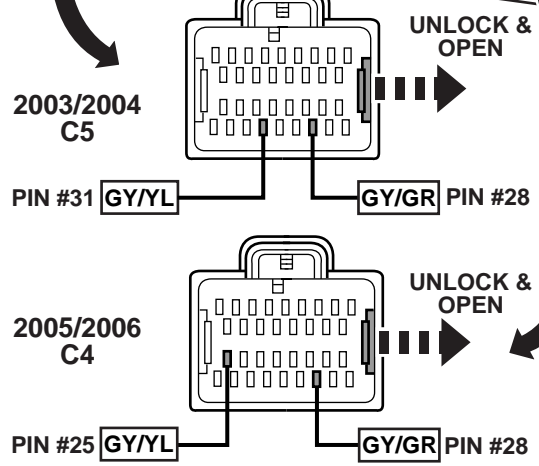
17 STEERING WHEEL REMOVED IN GRAPHIC FOR CLARITY

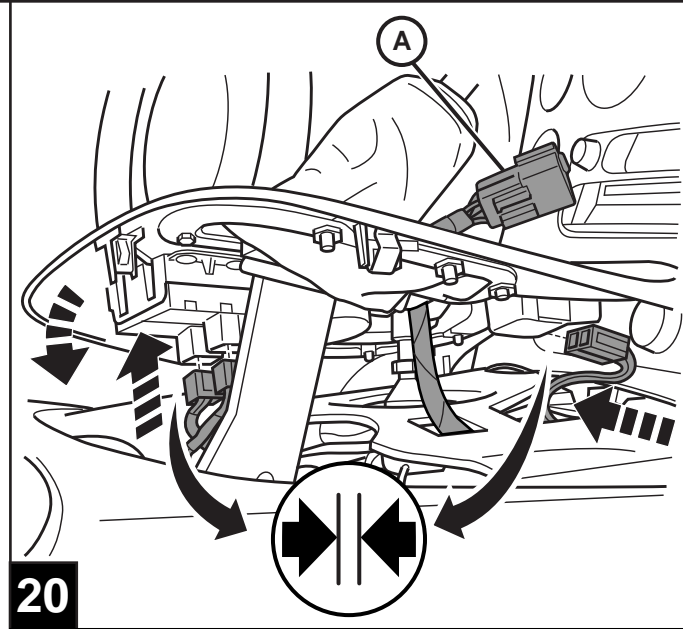


18

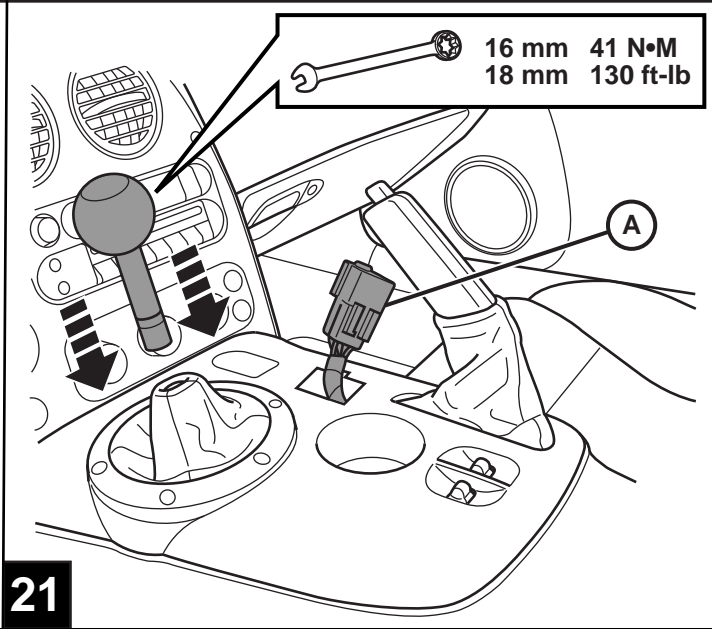


19

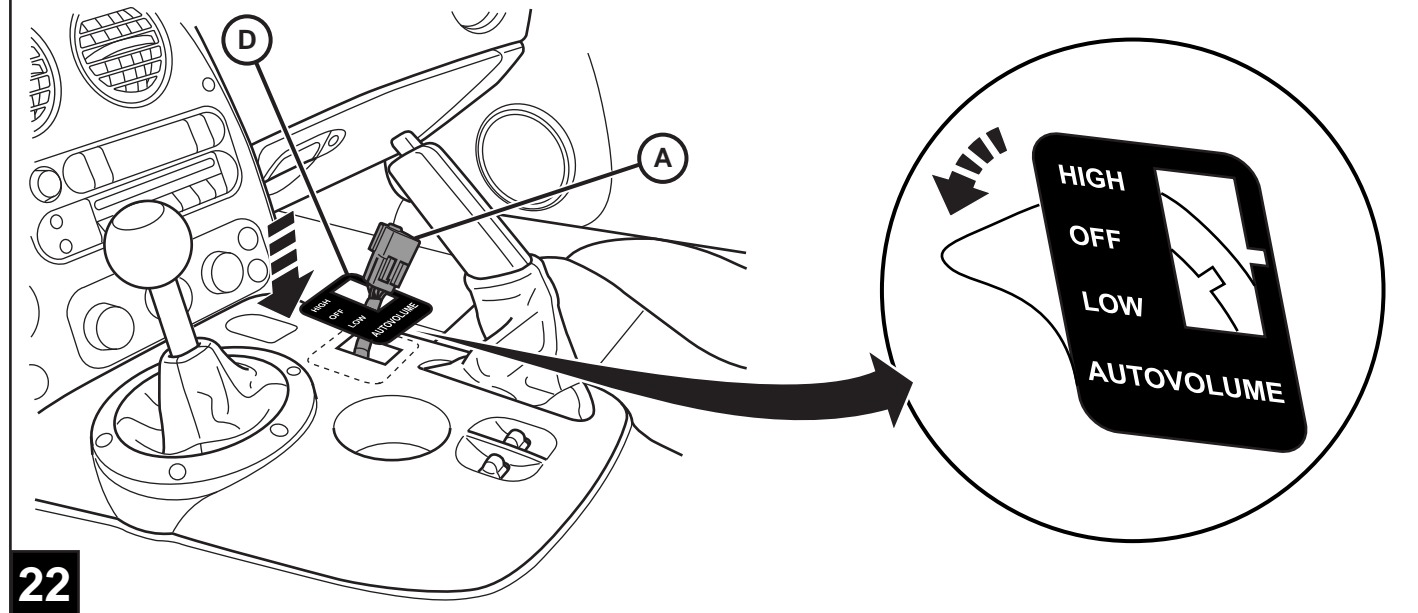




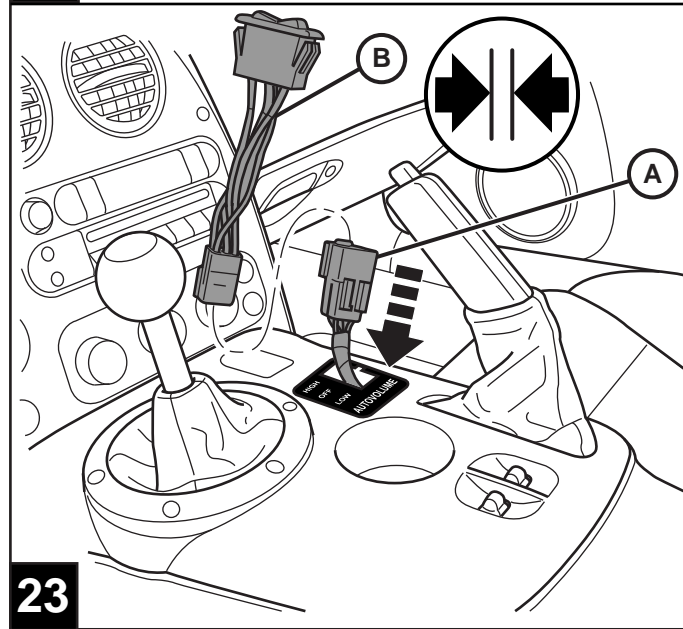
20



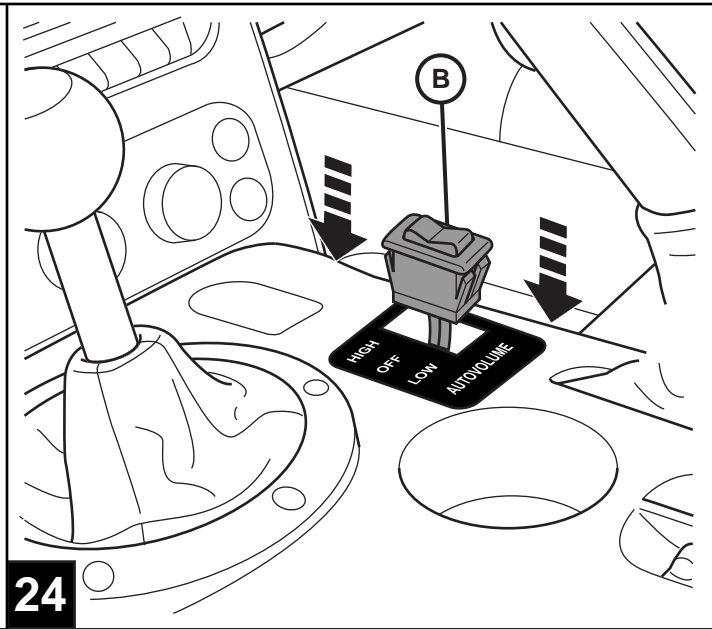
21



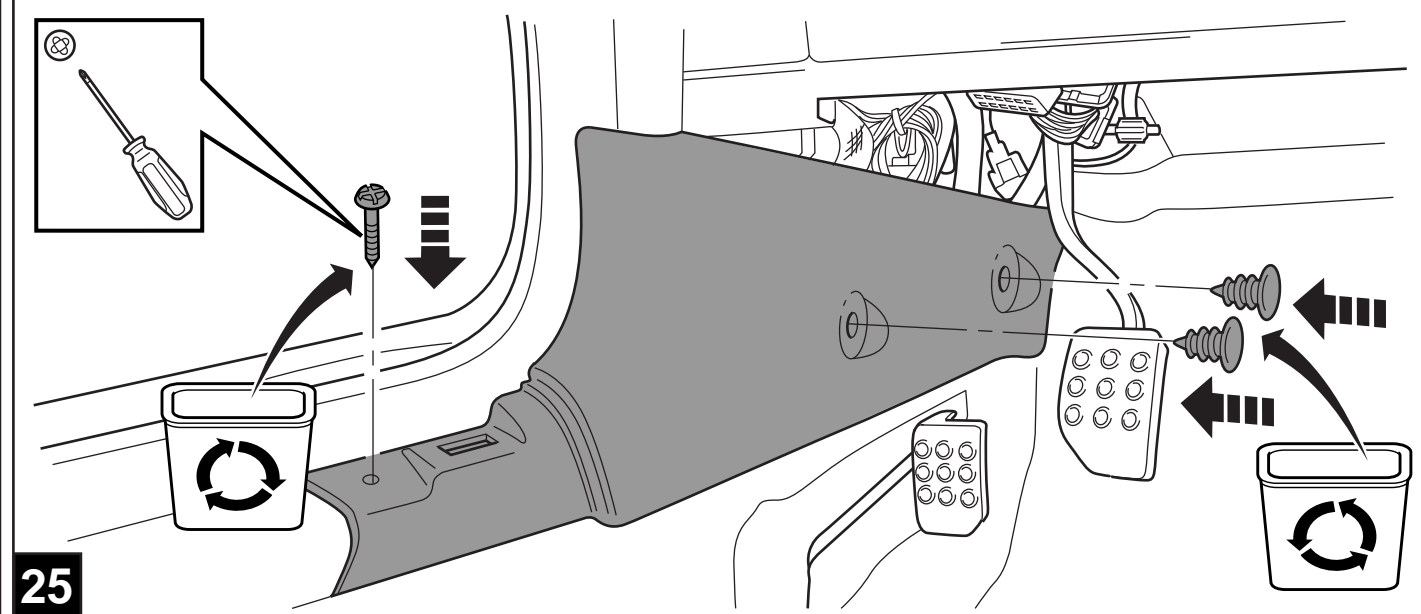
22



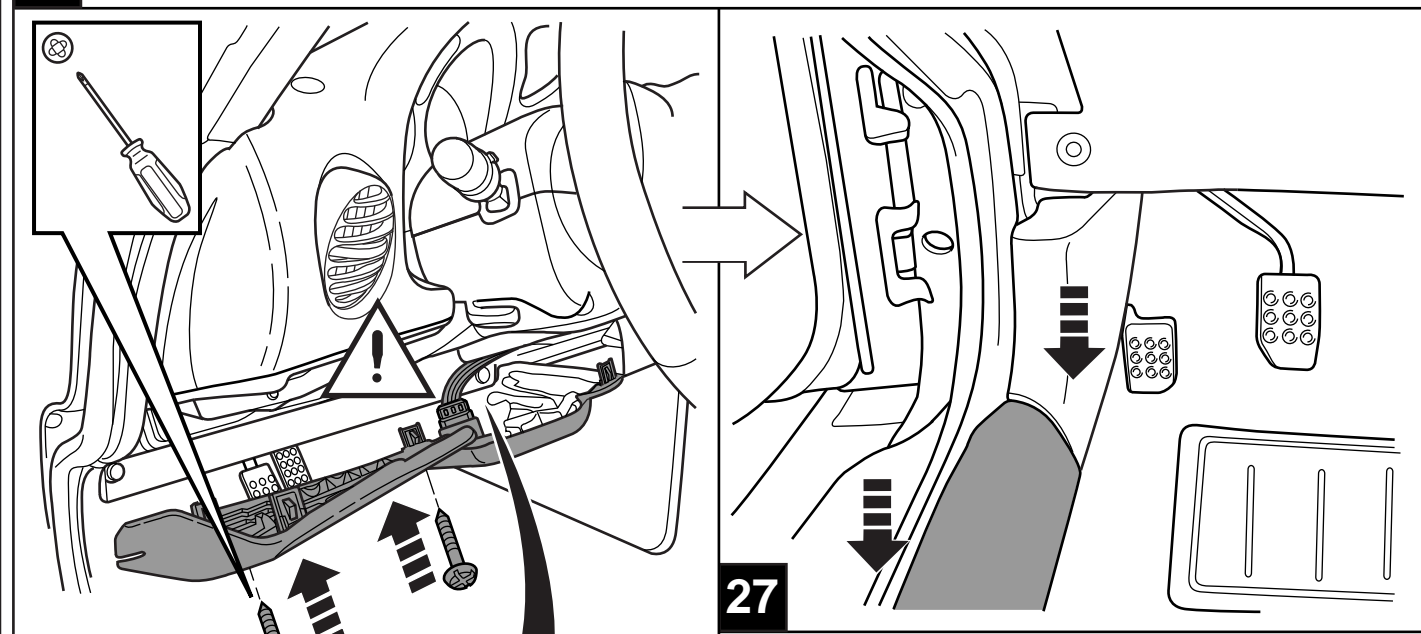
23



24

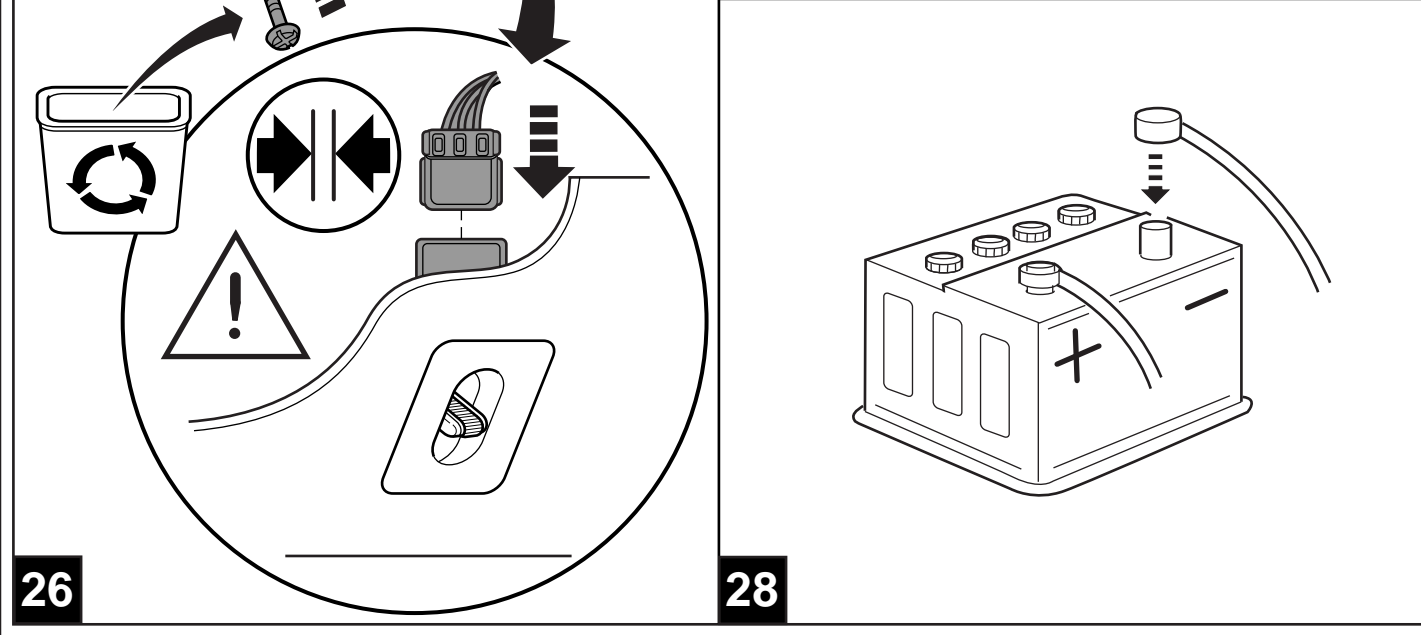


25



26

27



28