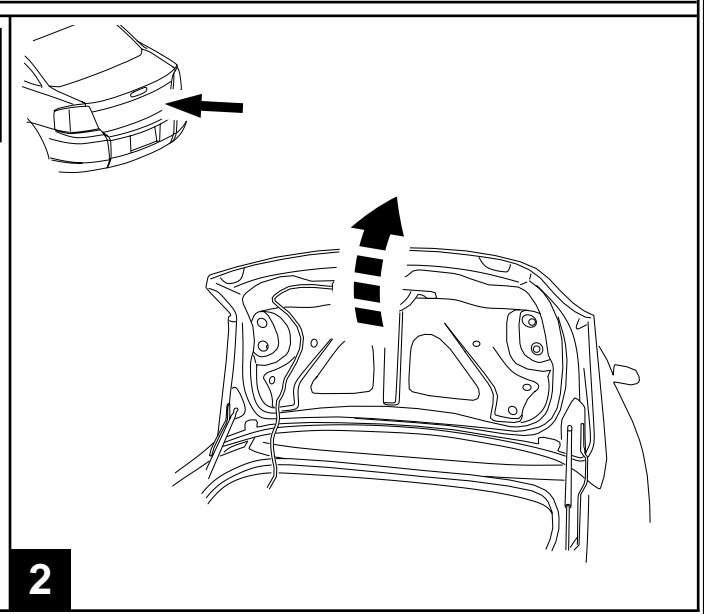
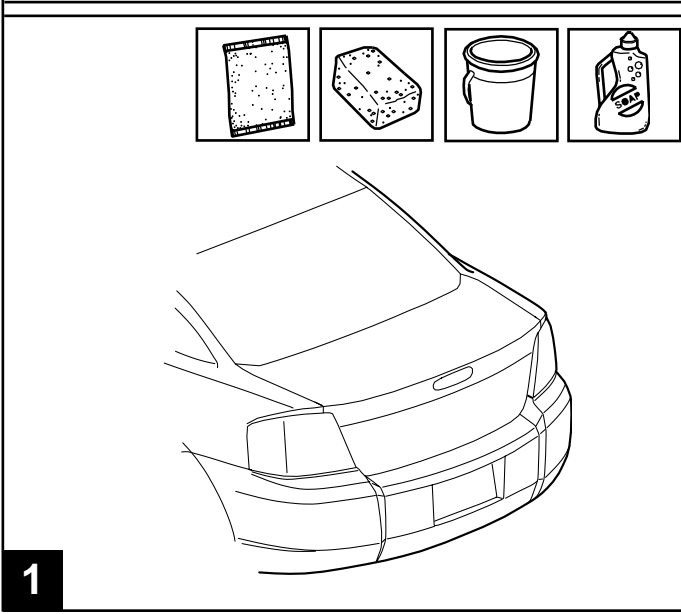
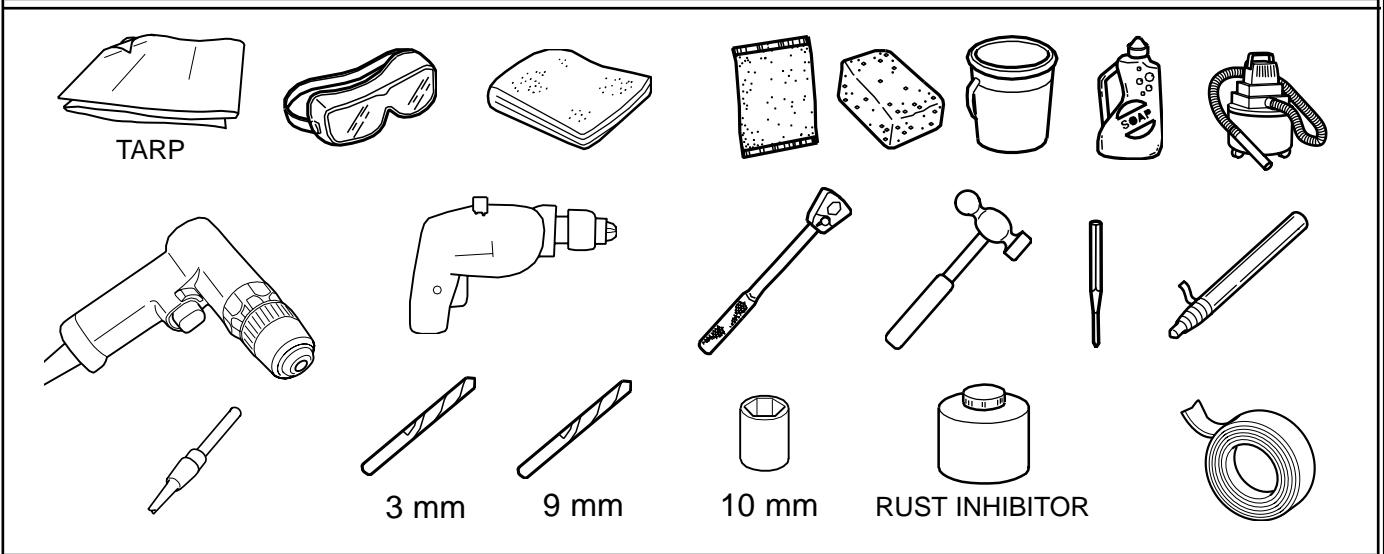
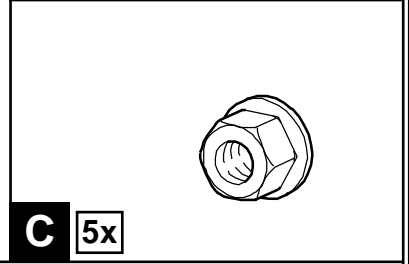
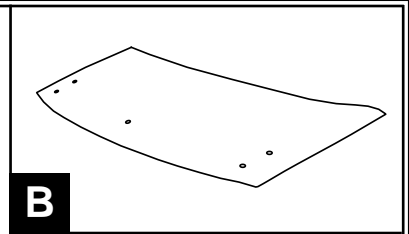
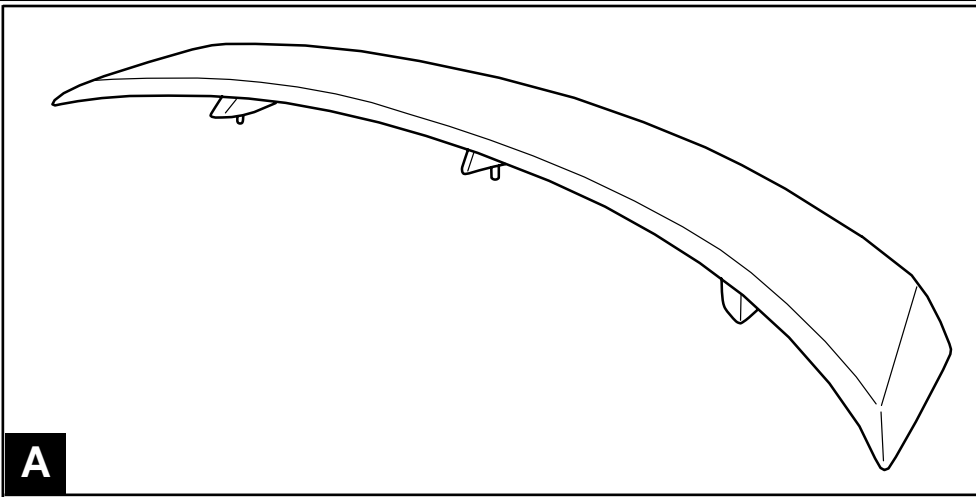


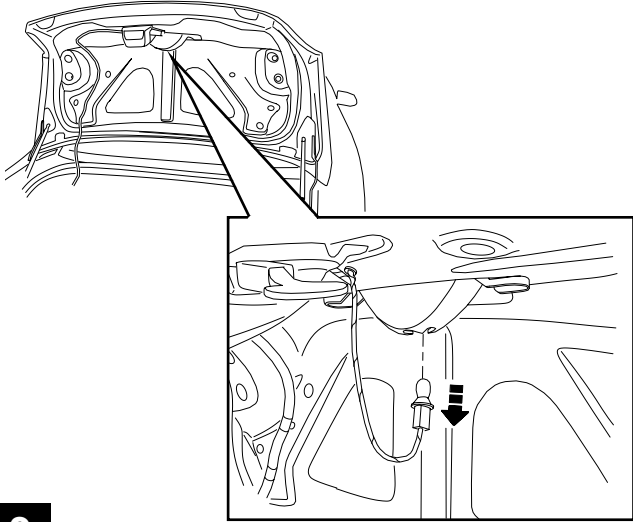


MOPAR®

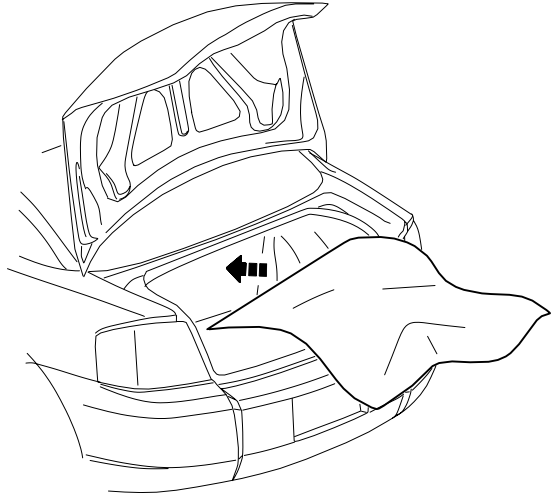
DODGE AVENGER

Rear Spoiler

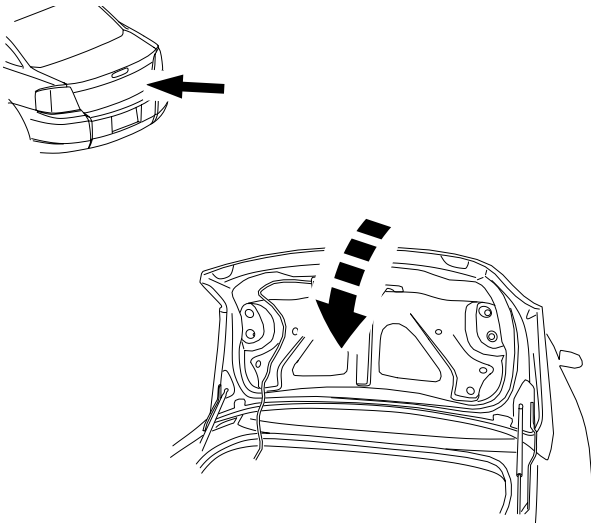




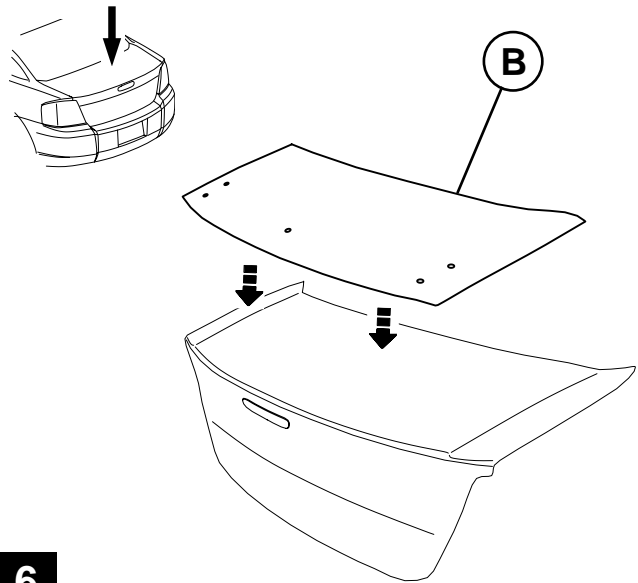
3



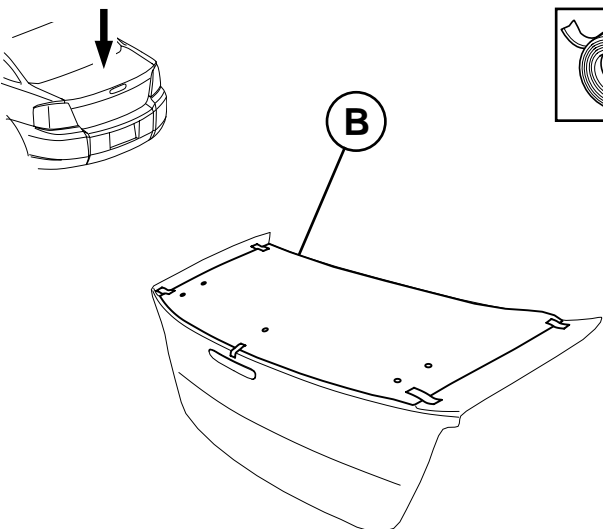
4



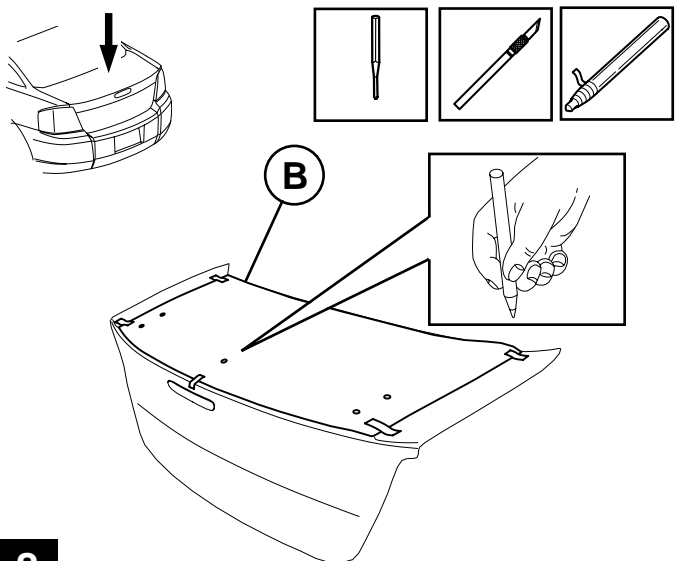
5



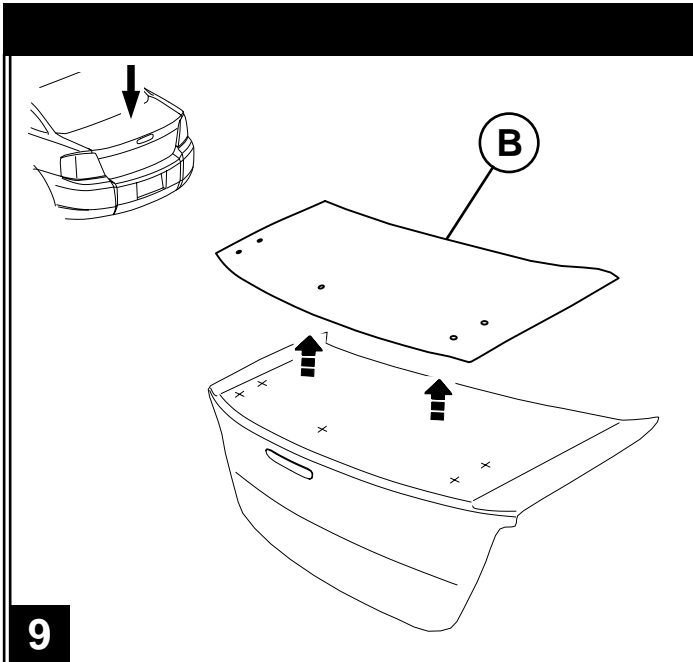
6



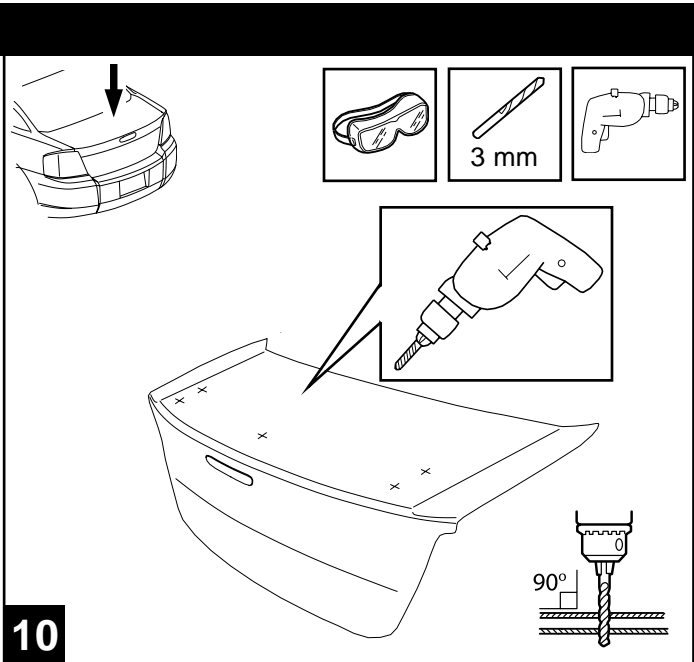
7



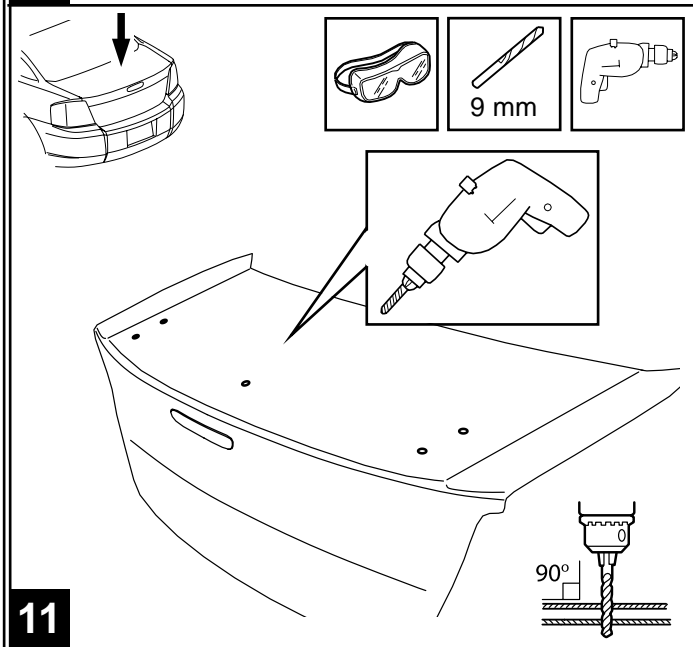
8



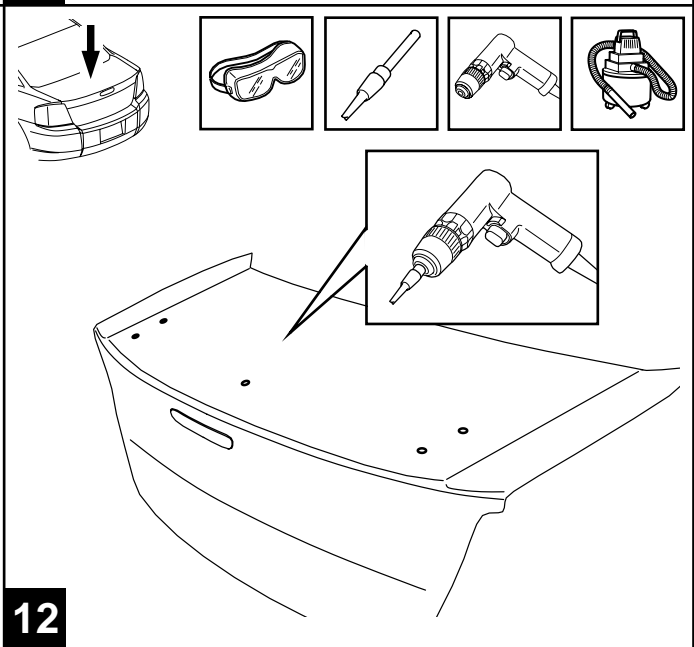
9



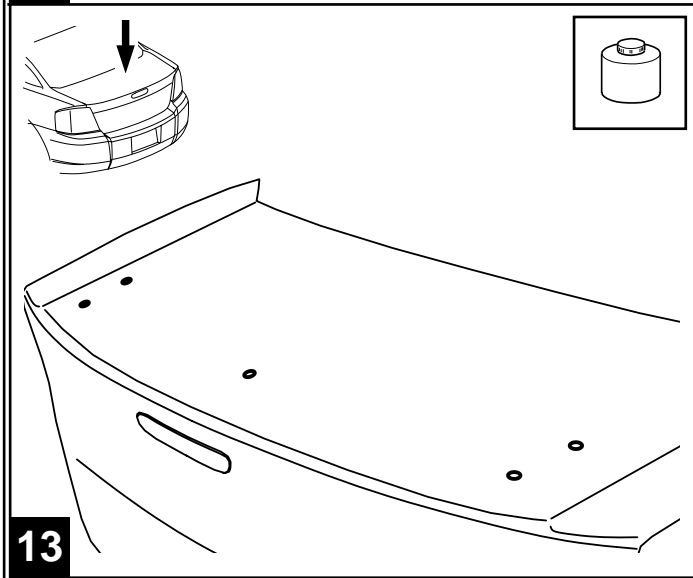
10



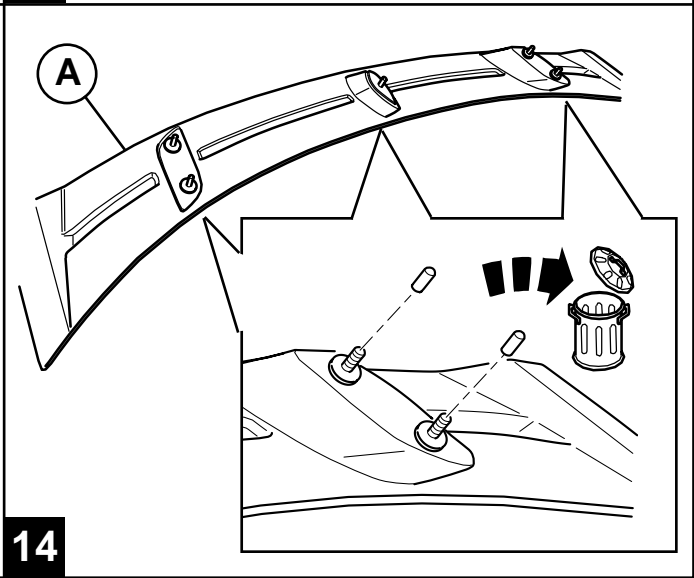
11



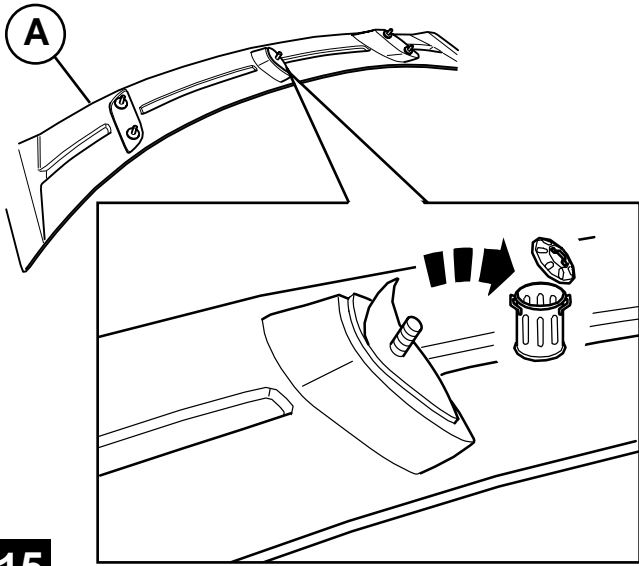
12



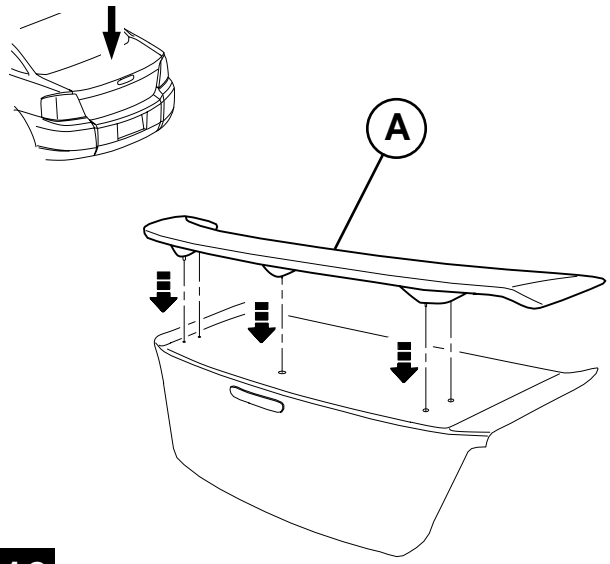
13



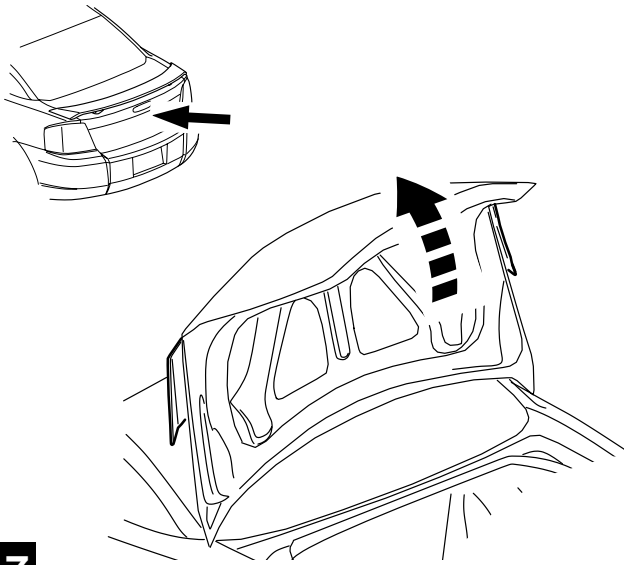
14



15

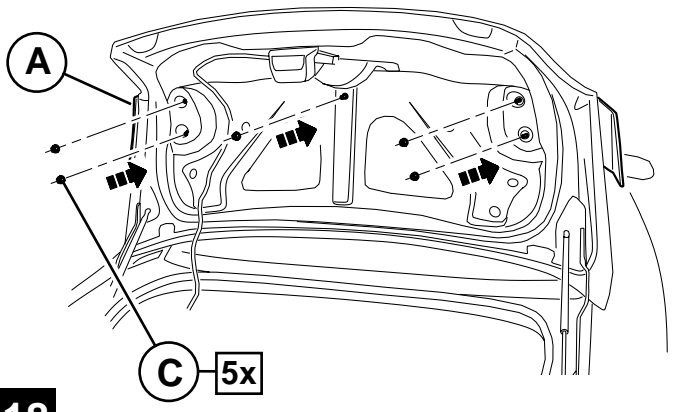
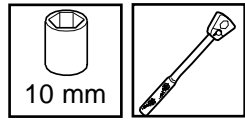


16

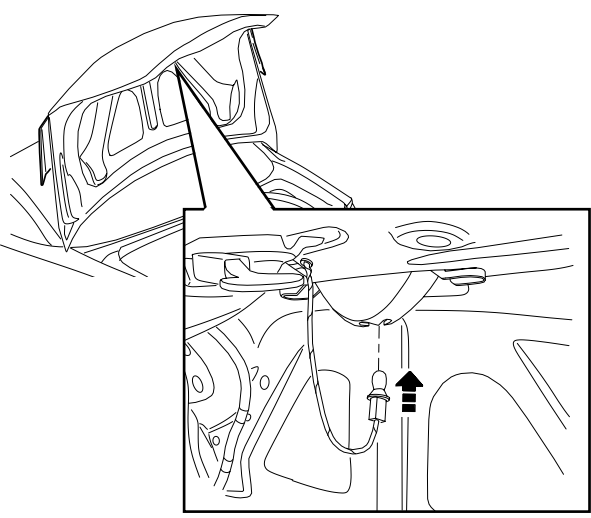


17

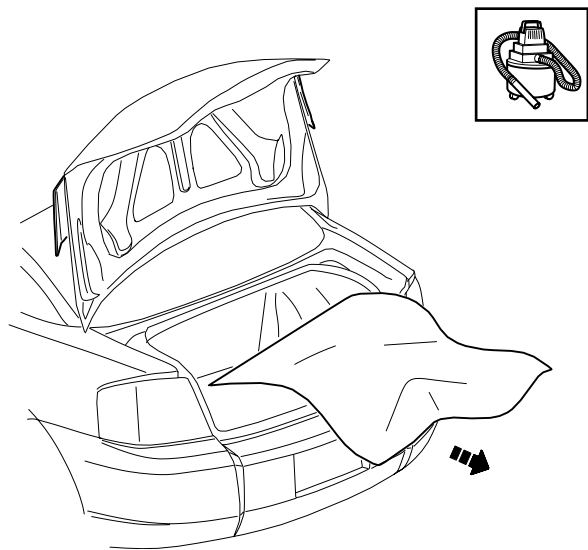
5 N.m TORQUE
44.25 in-lbs



18



19



20

