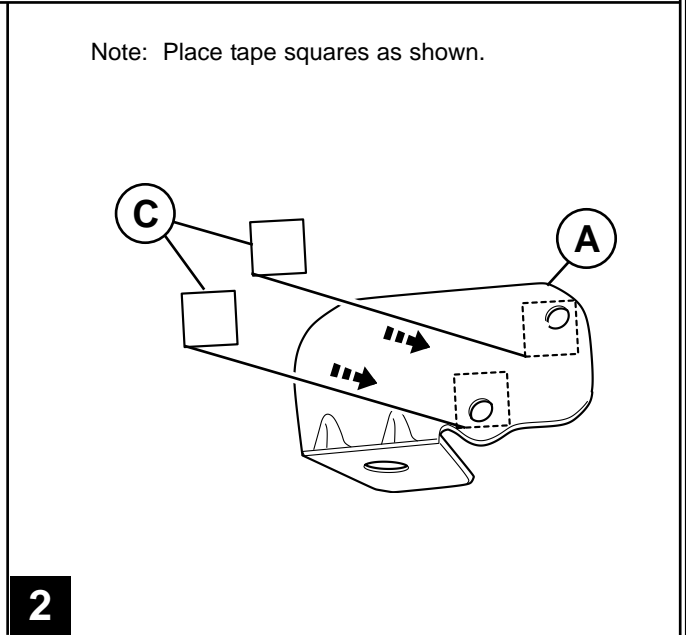
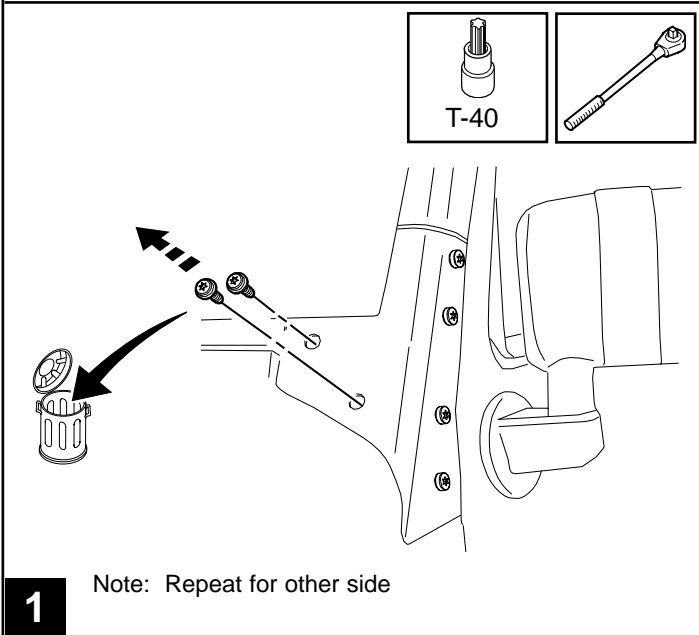
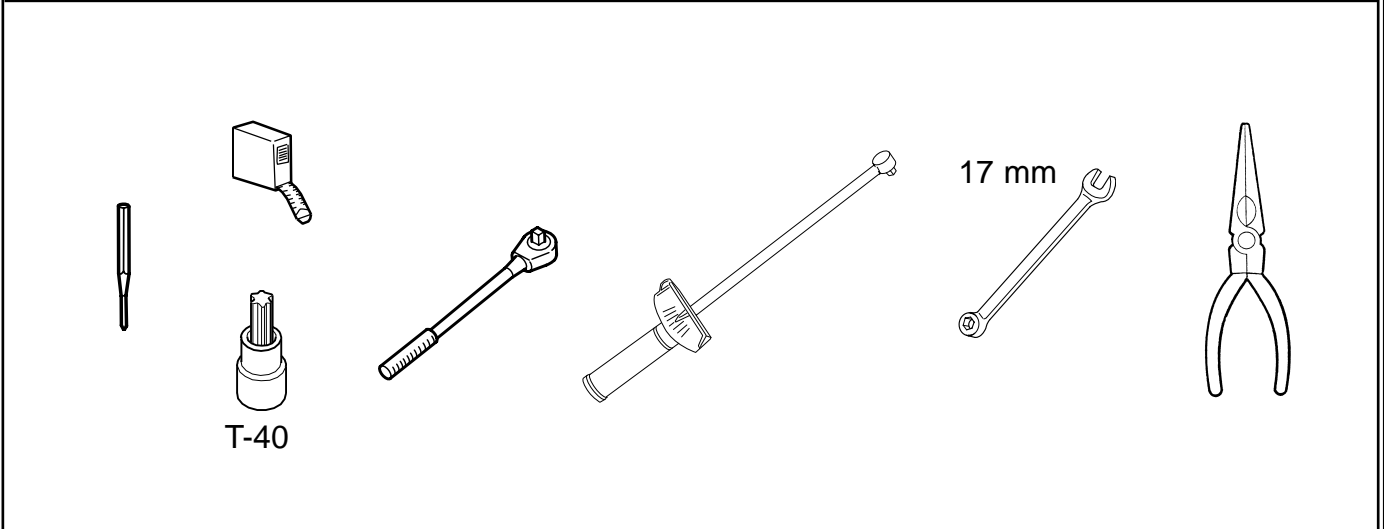
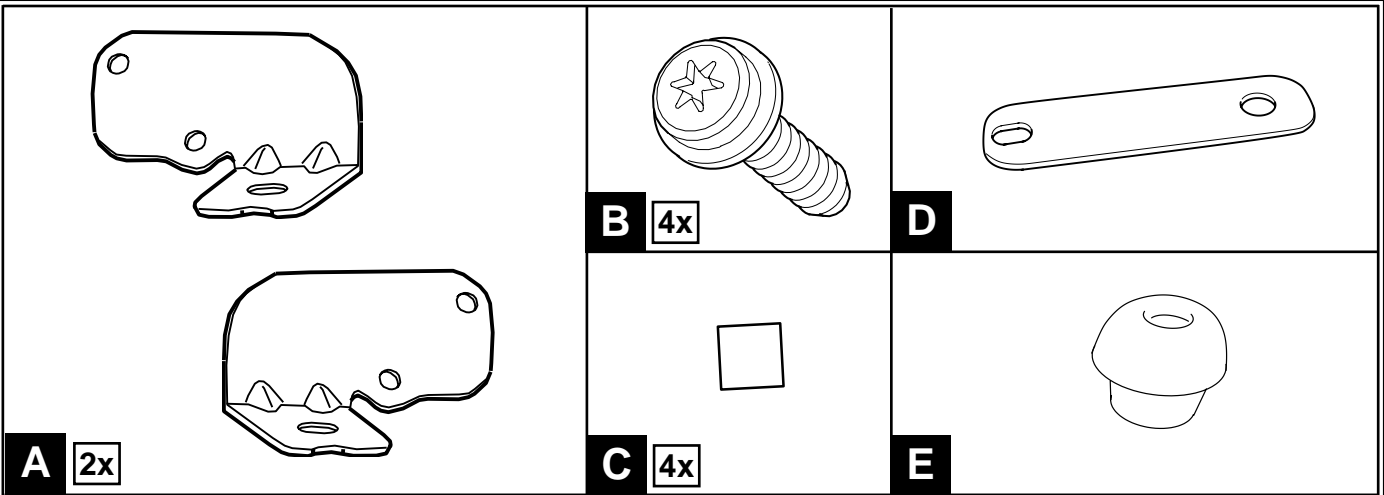


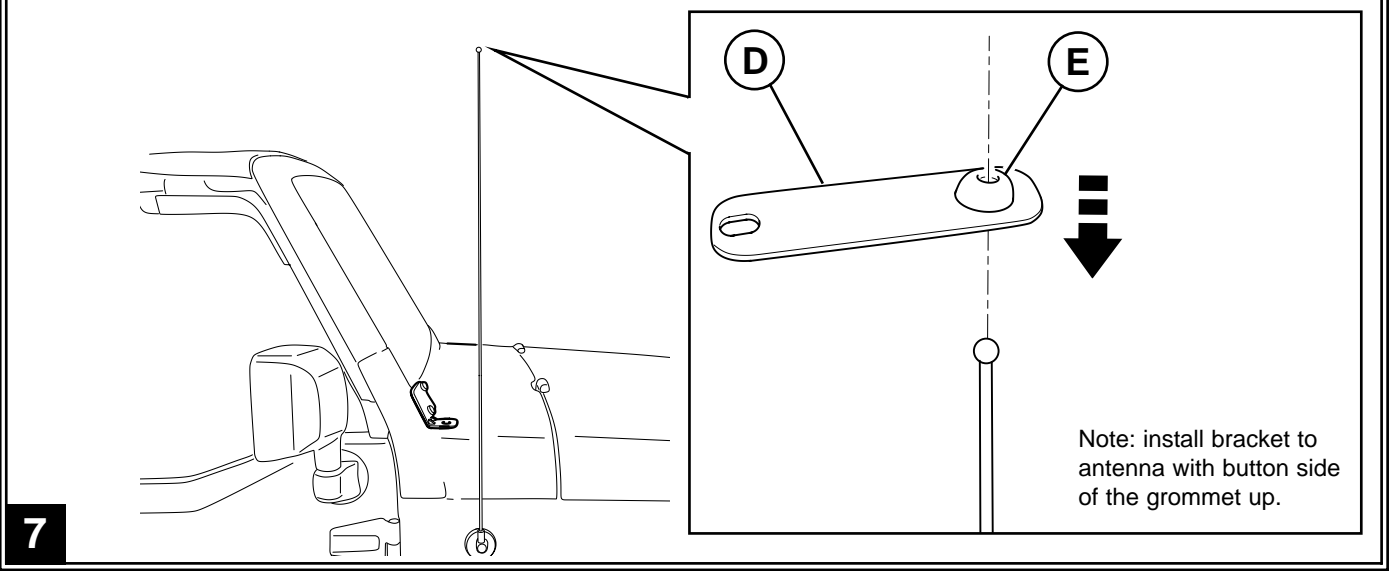
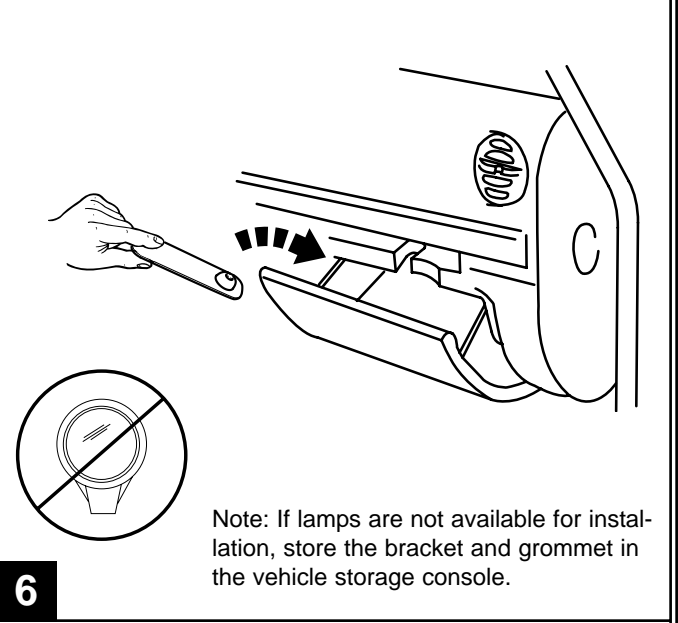
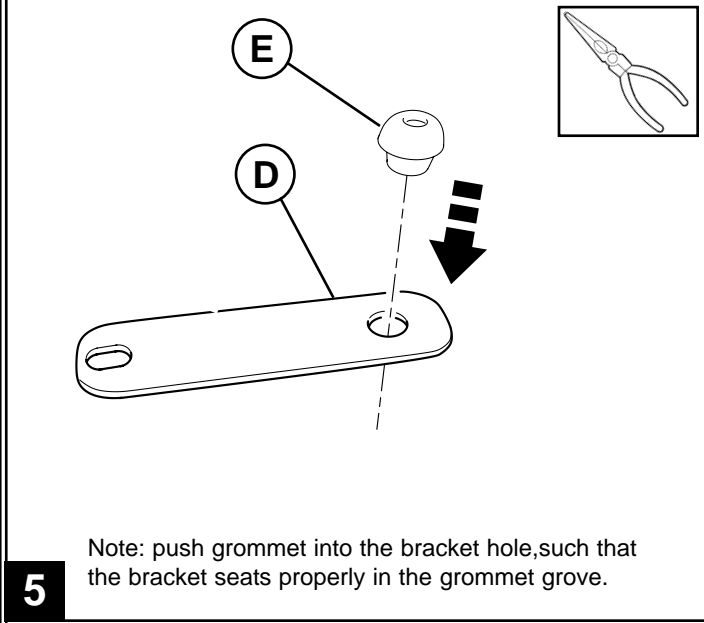
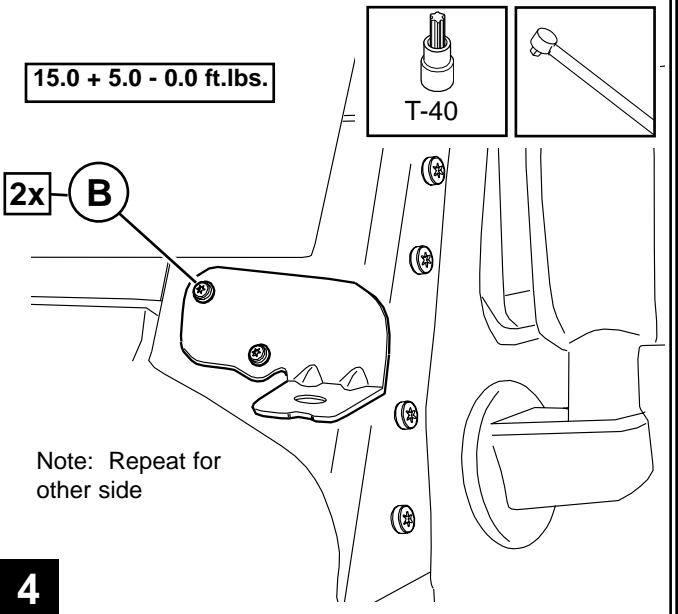
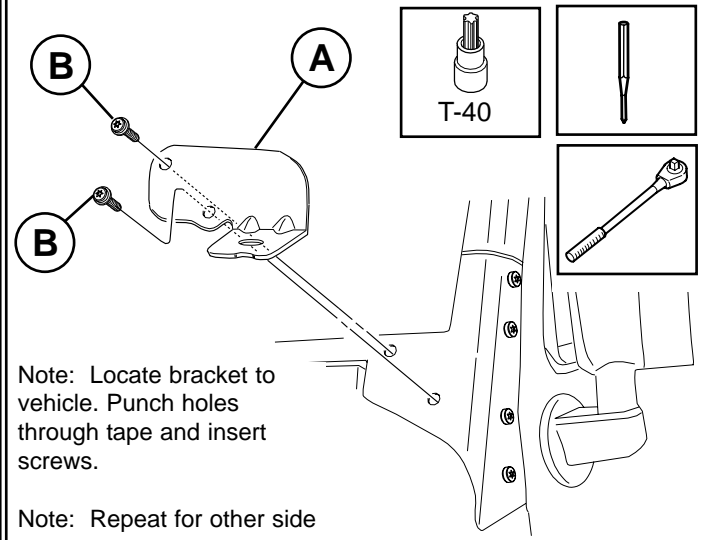


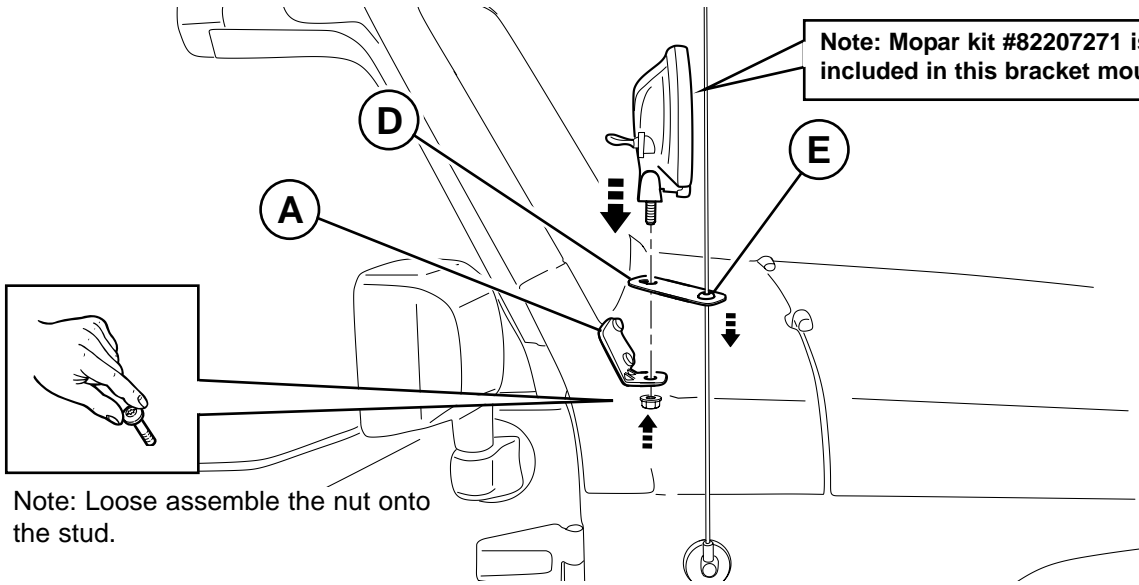
Bracket designed for installation of Lamp Kit # 82207271

Jeep Wrangler Light Bracket

*Antenna must be repositioned to install this kit.





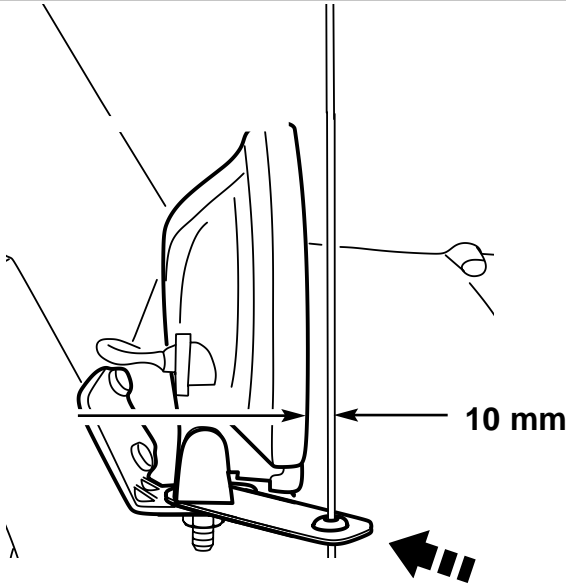


8

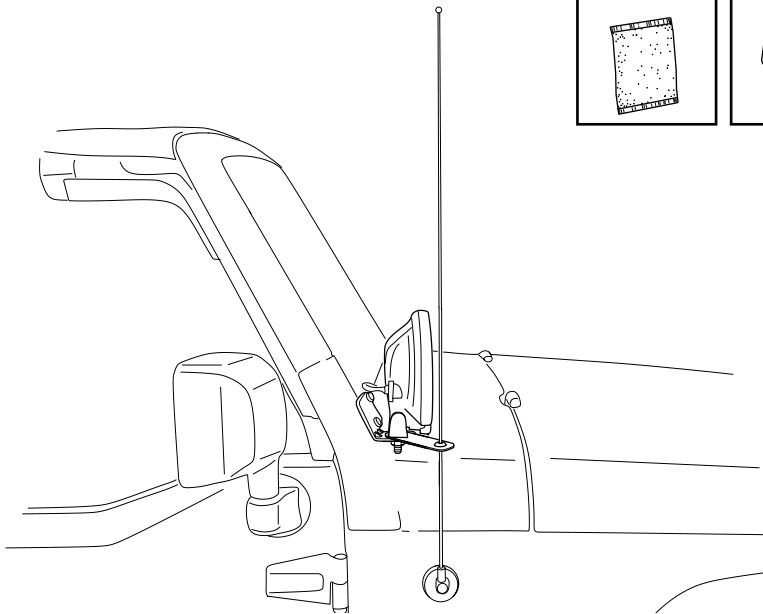
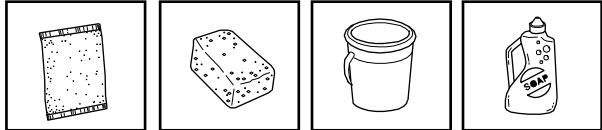
Note: Loosely assemble the nut onto the stud.

Note: Adjust the bracket to position the antenna at the dimension shown to eliminate contacting the lamp.

Note: The antenna can be positioned closer to the lamp for better appearance, but light tapping noise may be heard on rough roads.



9



10