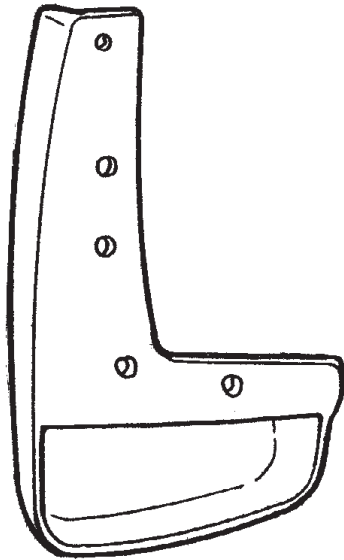




JEEP / LIBERTY

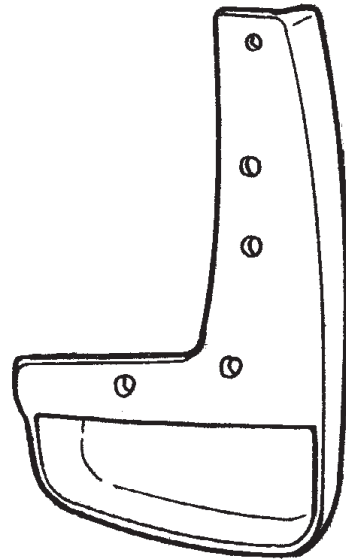
Front Splashguard

Front Right

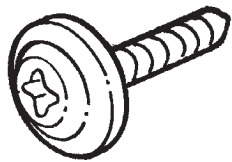


A

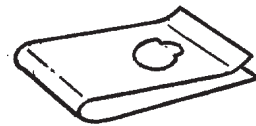
Front Left



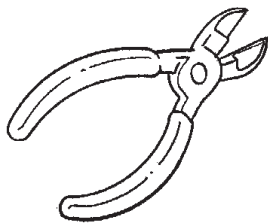
B



C 12X



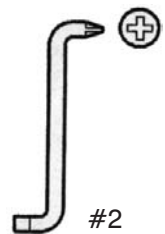
D 10X



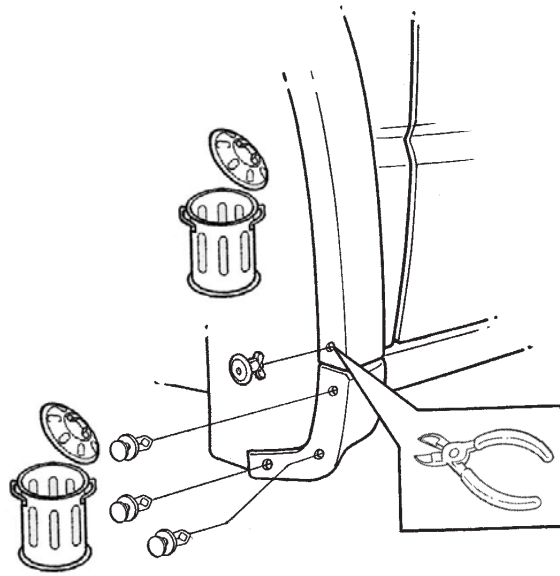
3/32" (2.5 mm)
1/4" (6.3 mm)



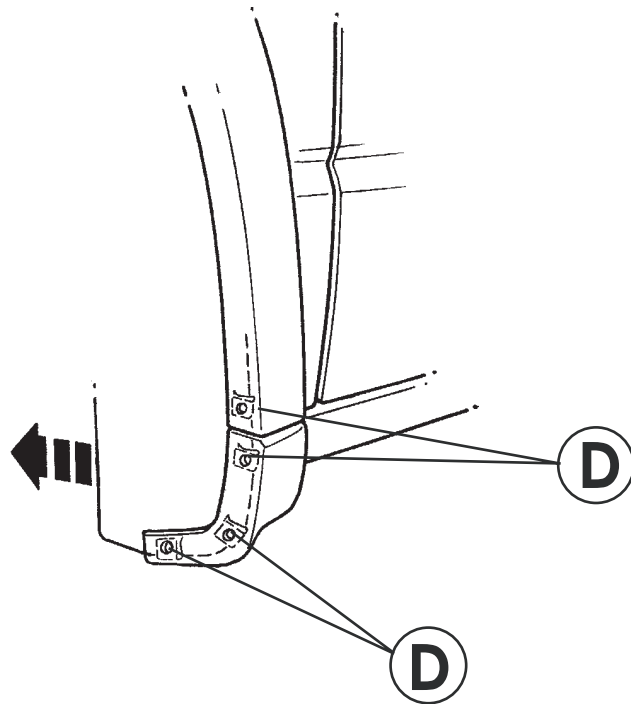
#2 Phillips
Screw Driver



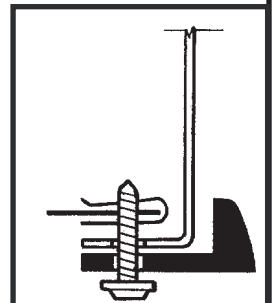
#2

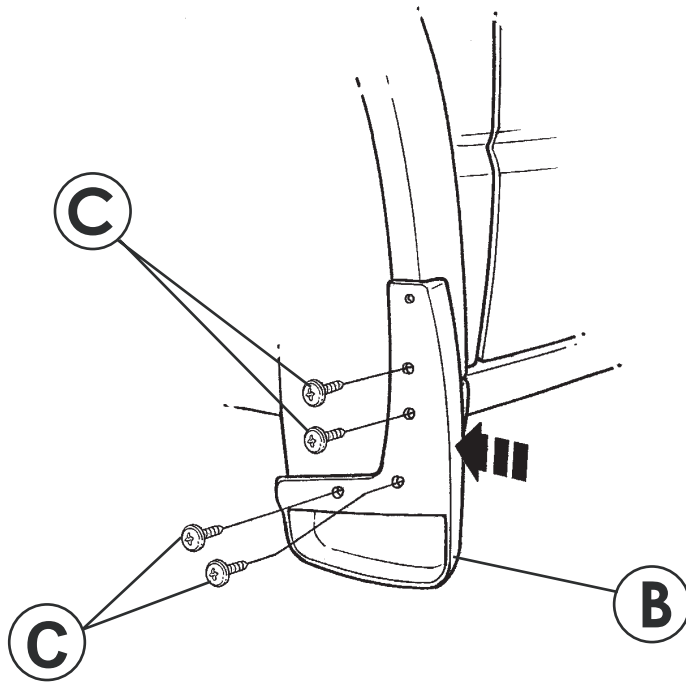


1

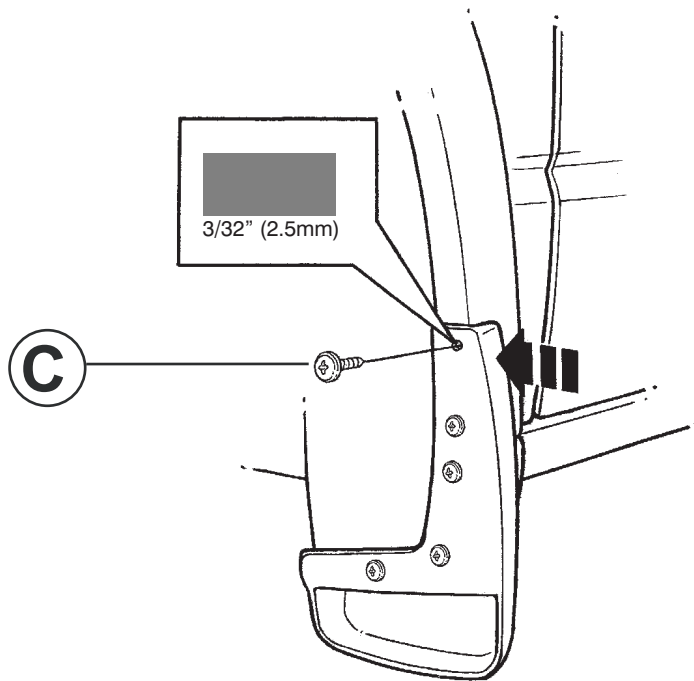


2

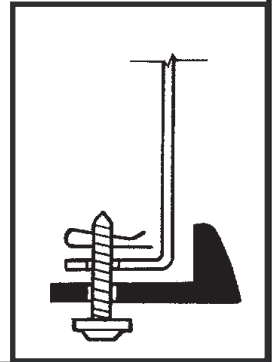
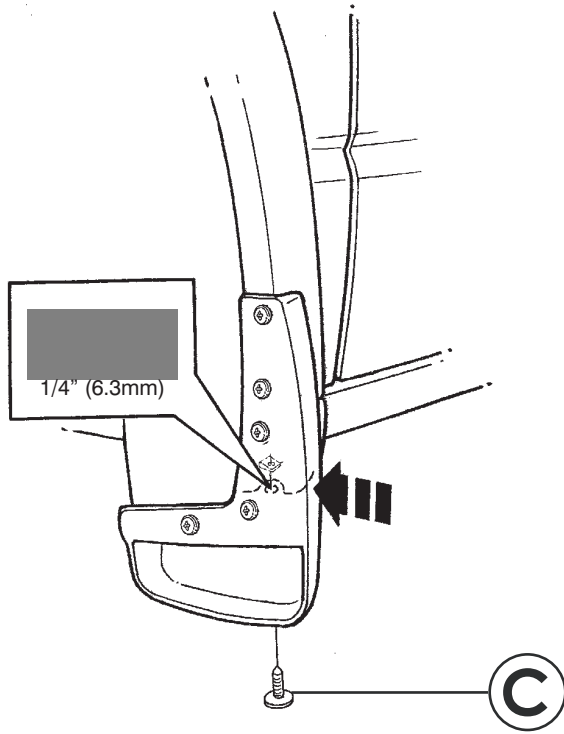




3



4



5