



FRONT SEAT HEATERS CE

Contents

For Technical Assistance
Call: 800-927-6787

Click on desired vehicle name to take you directly to that vehicle's specific instructions.

Dodge Avenger / Chrysler Sebring..... K6860550
Jeep Liberty / Dodge Nitro..... K6860550

Dodge Caliber / Dodge Journey K6860725
Jeep Compass / Jeep Patriot K6860725

Dodge Charger / Dodge Magnum / Chrysler 300C... K6860285

Jeep Grand Cherokee K6860444
Jeep Commander K6860444

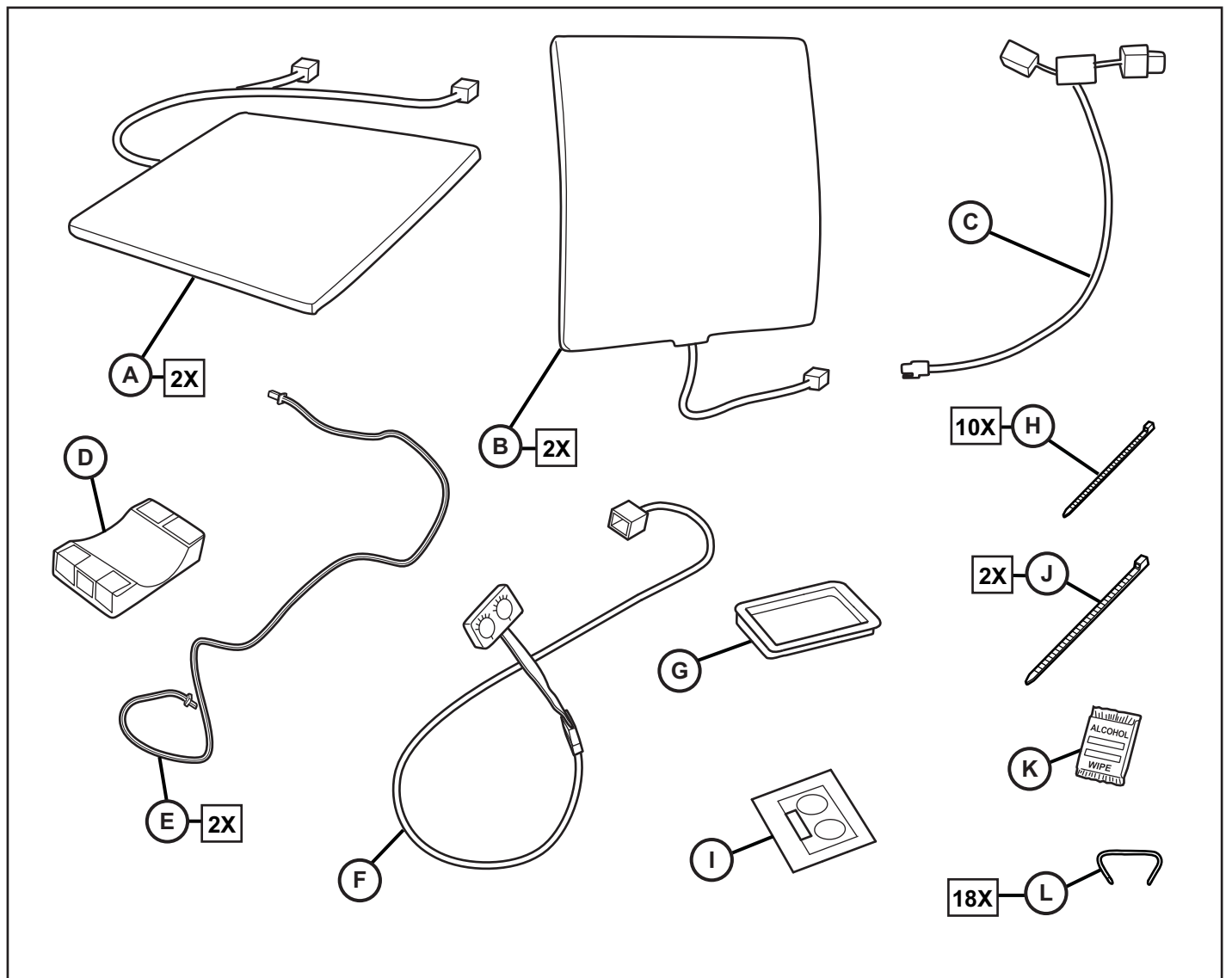
2006-2008 Dodge Ram - Cloth Bucket Seats Only .. K6860447
2009 Dodge Ram - Cloth & Leather Bucket Seats .. K6860447

Jeep Wrangler..... K6869541



DODGE AVENGER / CHRYSLER SEBRING JEEP LIBERTY / DODGE NITRO

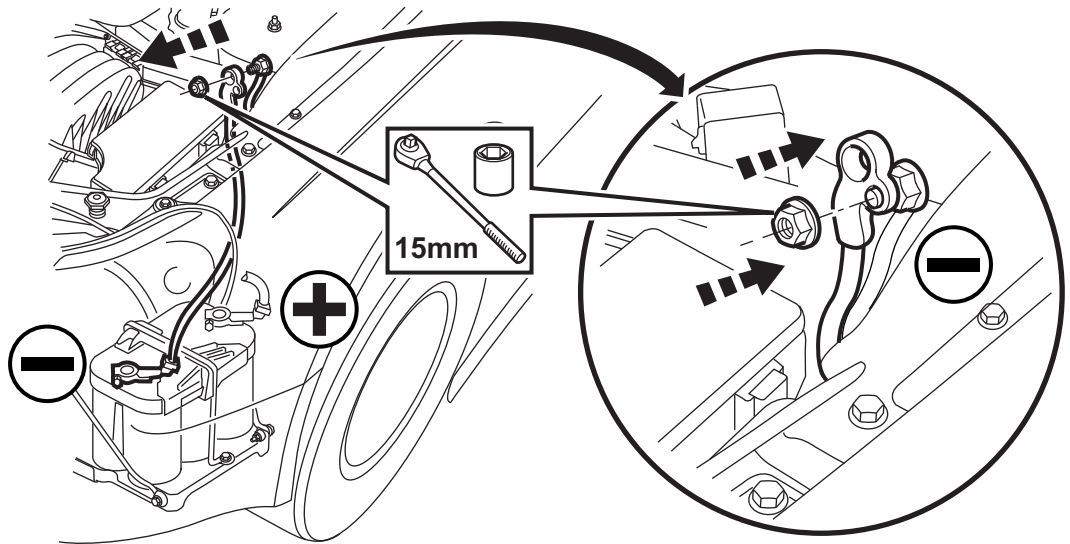
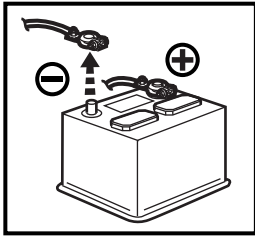
Front Heated Seats (€)



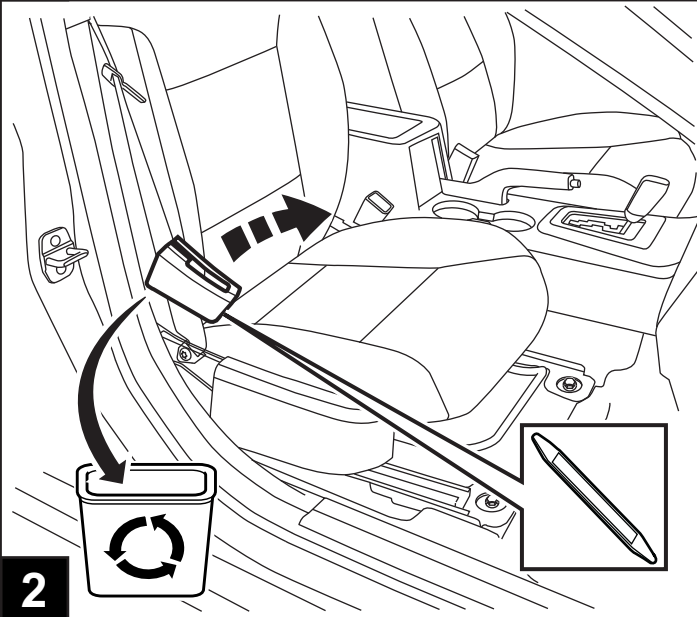
AVENGER / SEBRING	PG 2-13
LIBERTY / NITRO	PG 14-23

					 10mm 15mm 18mm		 METAL
		 1/8"					

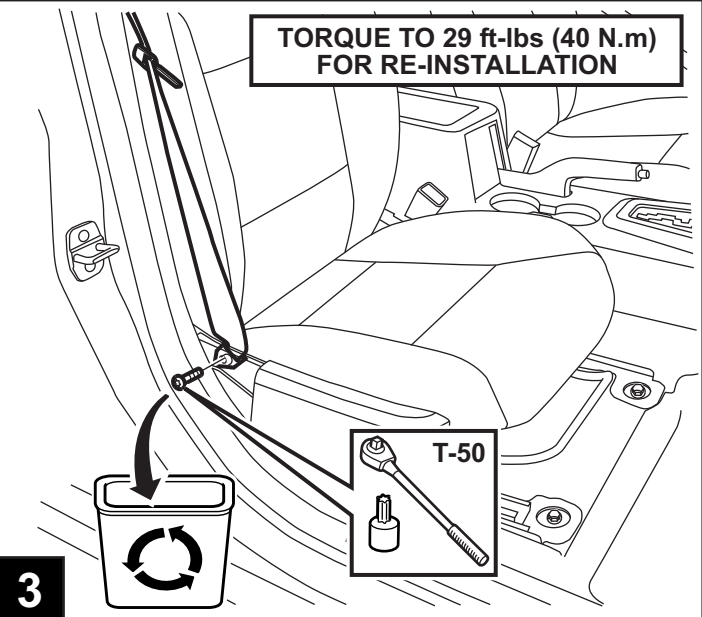
DODGE AVENGER / CHRYSLER SEBRING



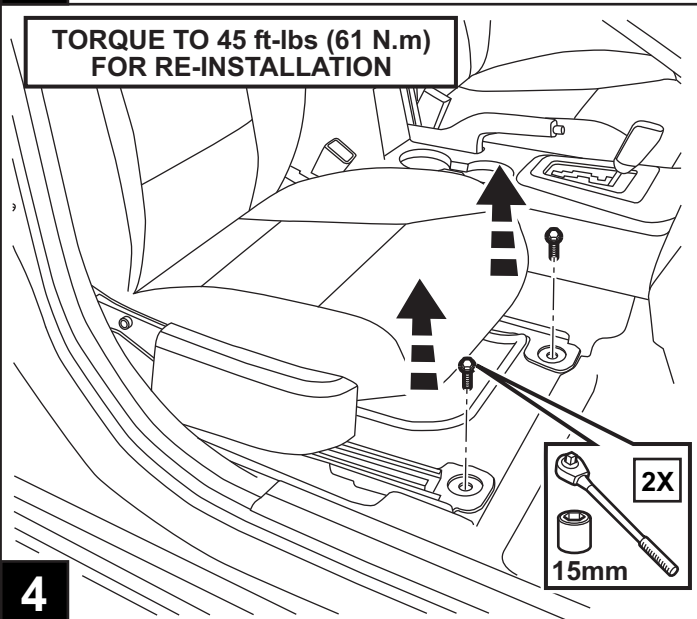
1



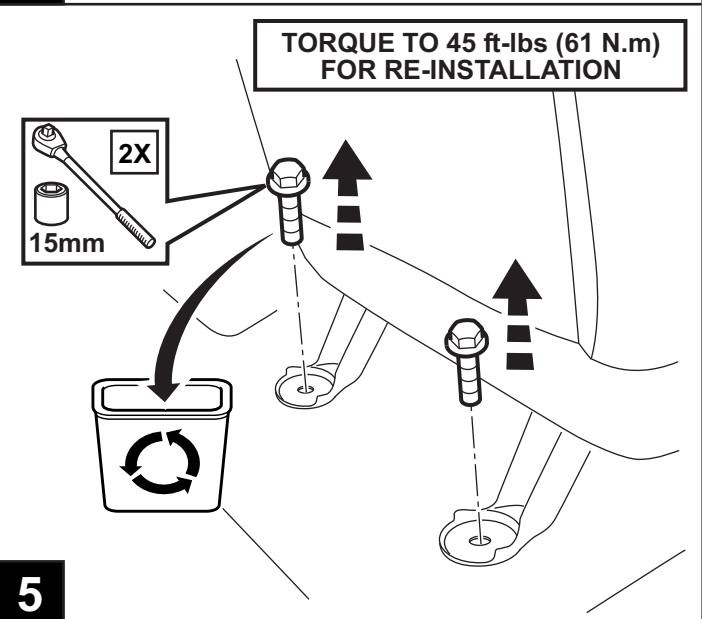
2



3

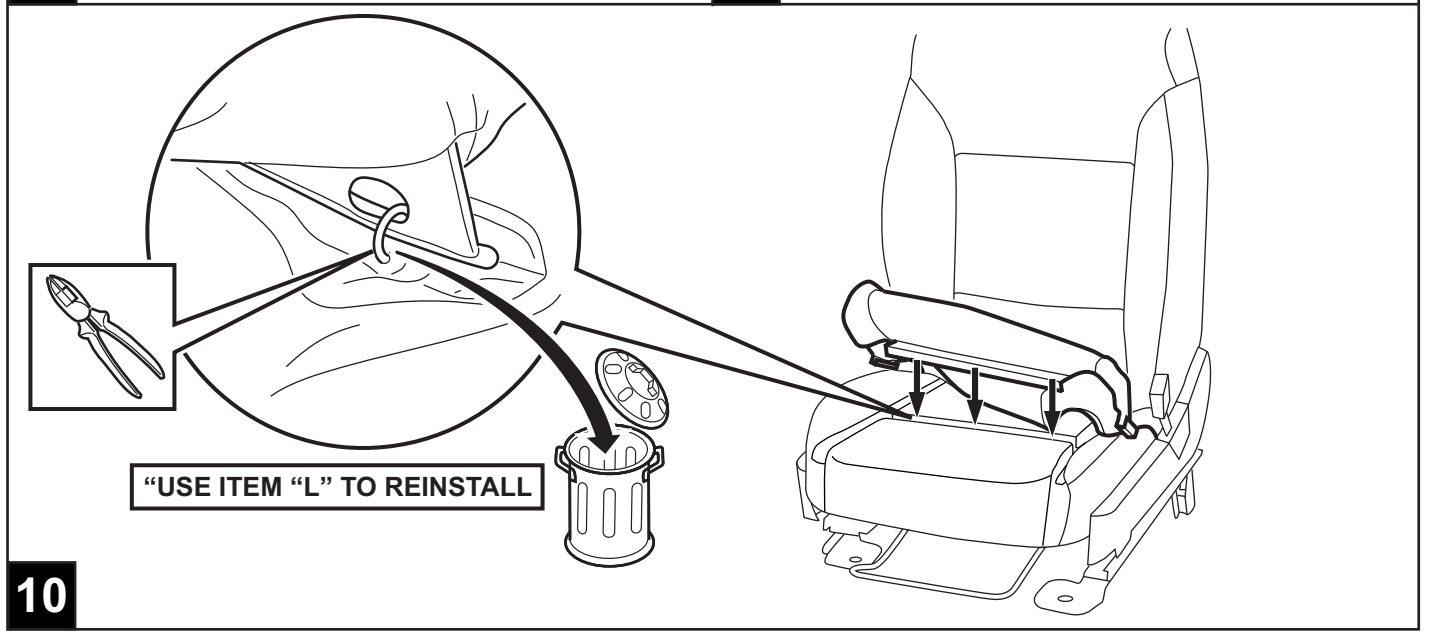
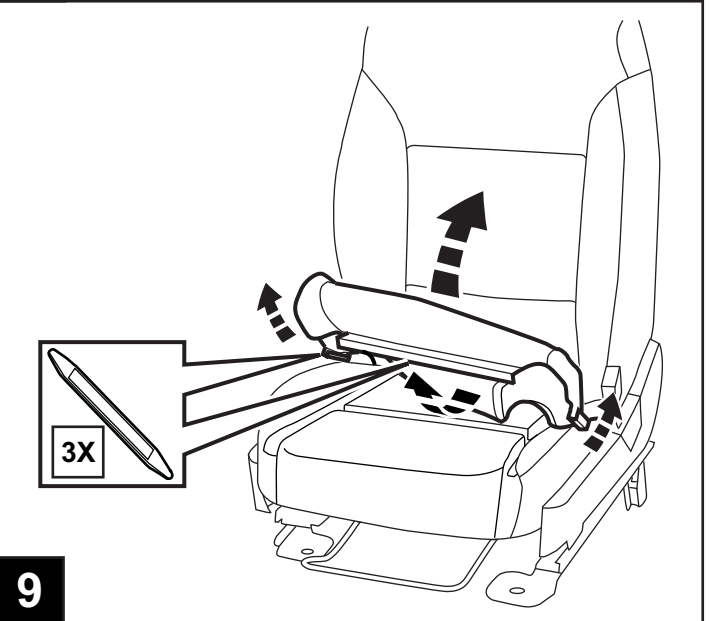
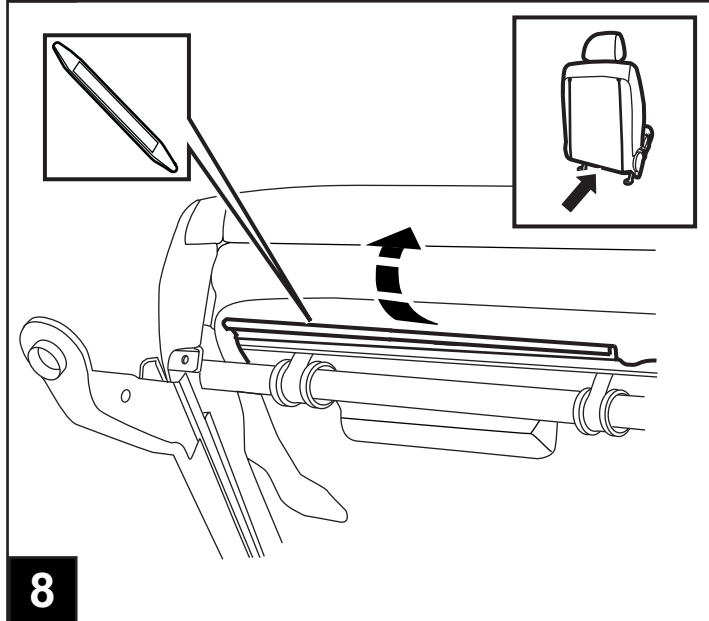
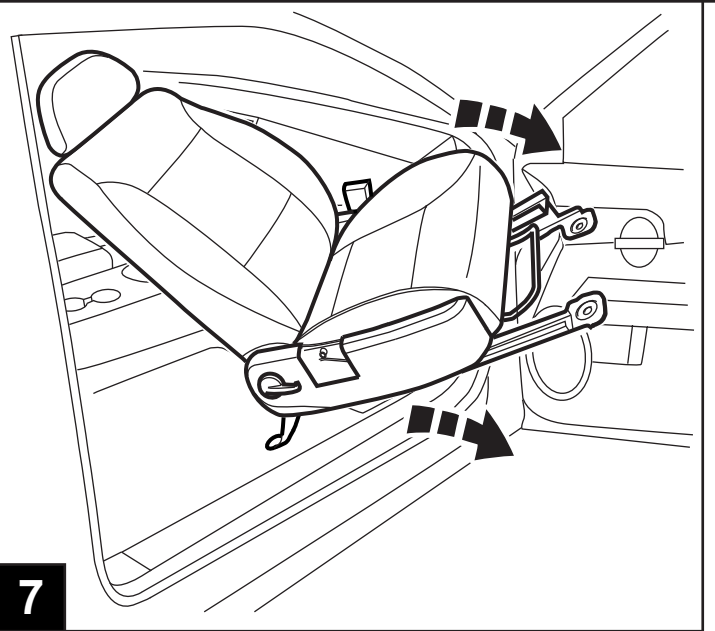
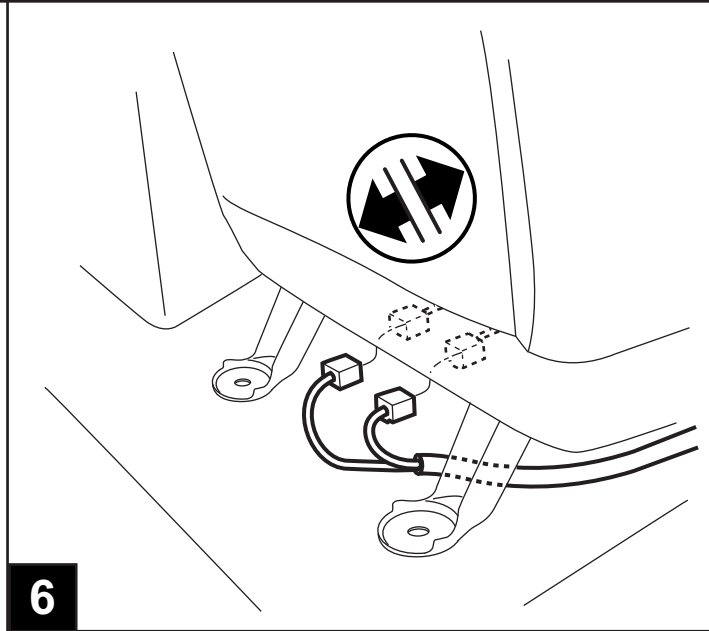


4



5

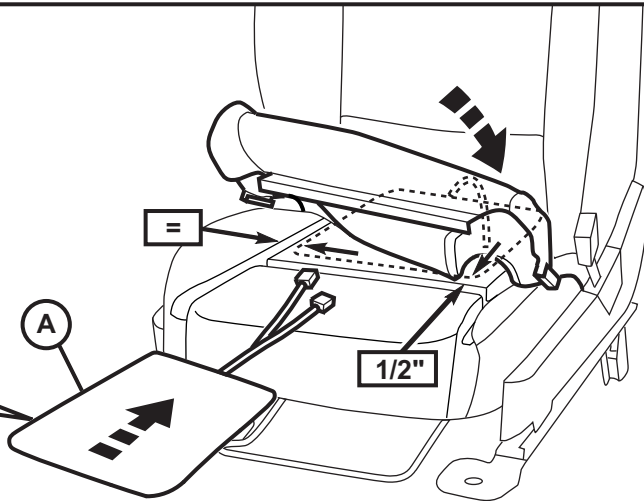
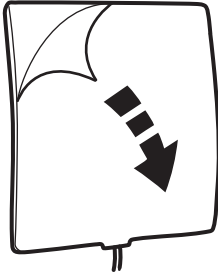
DODGE AVENGER / CHRYSLER SEBRING



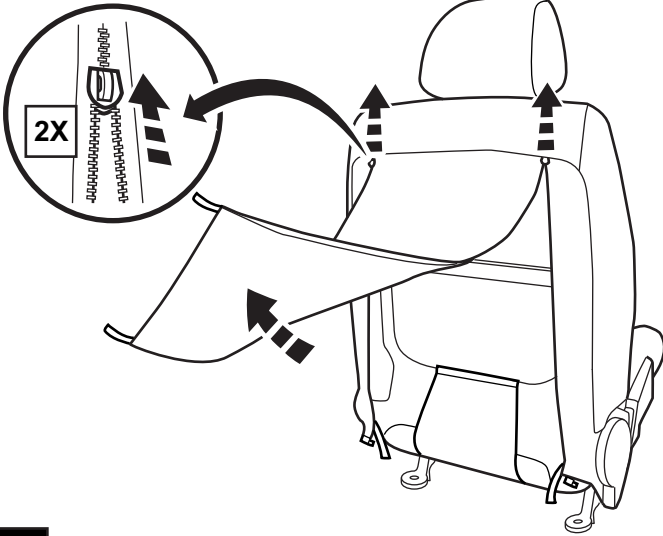
DODGE AVENGER / CHRYSLER SEBRING


REMOVE ADHESIVE
BACKING PRIOR TO
INSTALLATION

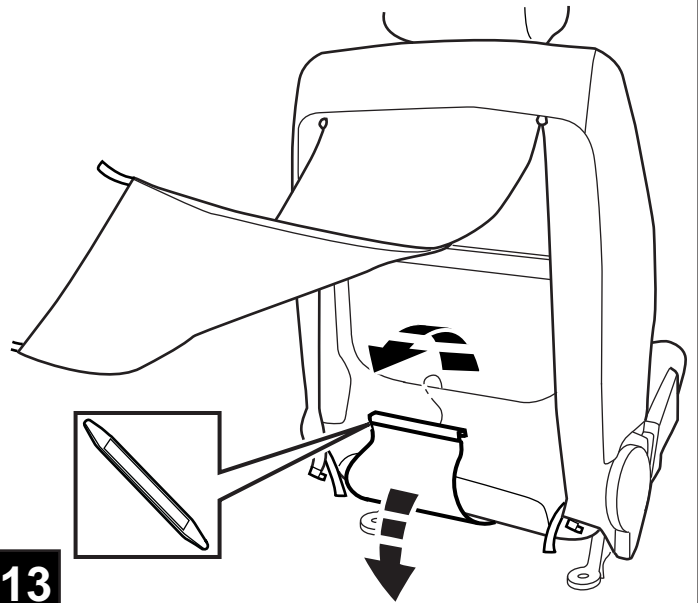
NOTE: ELEMENT MUST BE CENTERED ON SEAT. SPACING
BETWEEN EDGE OF ELEMENT AND INNER RIDGE OF
CUSHION/PAD MUST BE EQUAL TO OPPOSITE SIDE.



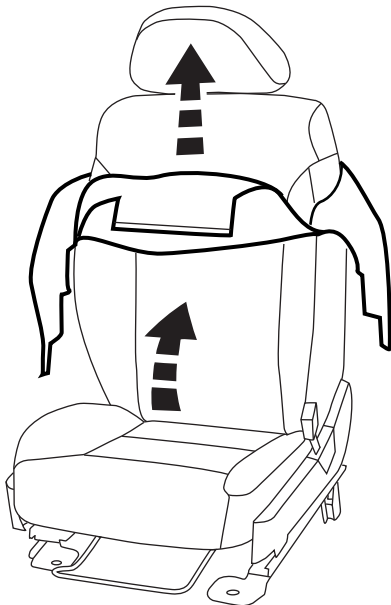
11



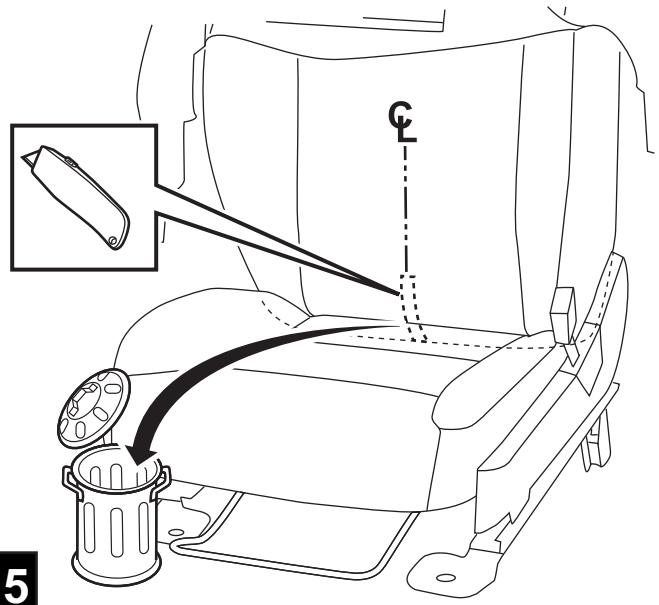
12



13



14

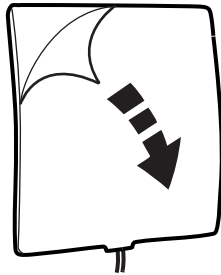


15

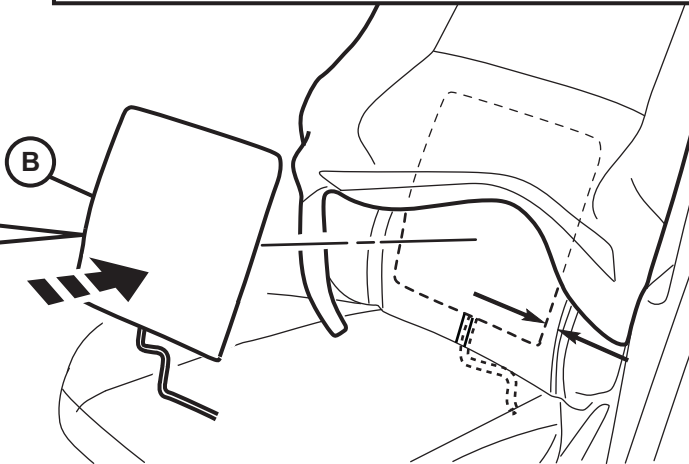
DODGE AVENGER / CHRYSLER SEBRING



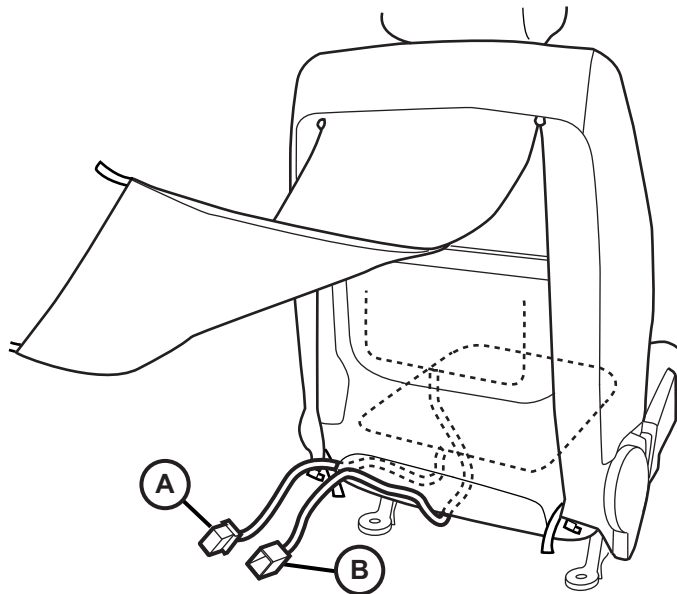
REMOVE ADHESIVE BACKING PRIOR TO INSTALLATION



NOTE: ELEMENT MUST BE CENTERED ON SEAT. SPACING BETWEEN EDGE OF ELEMENT AND INNER RIDGE OF CUSHION/PAD MUST BE EQUAL TO OPPOSITE SIDE.

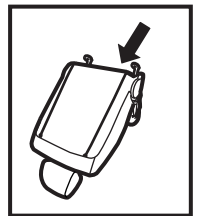
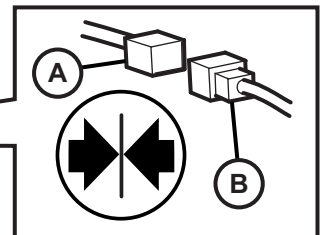
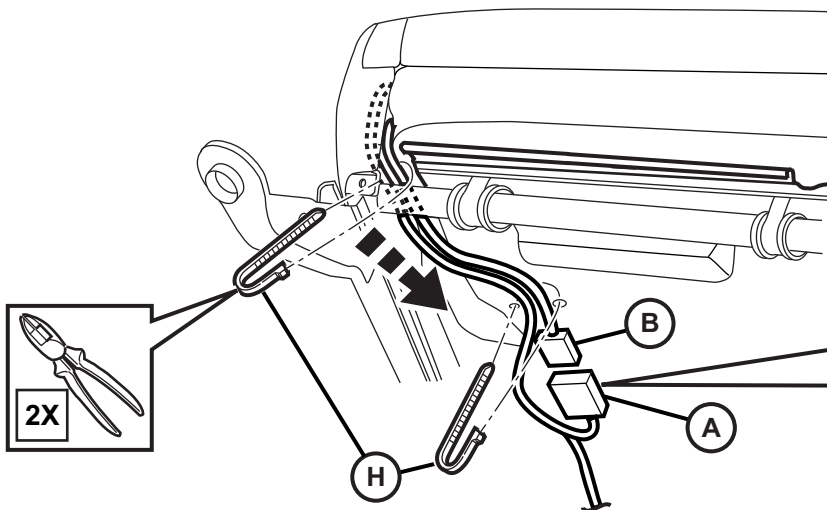


16



17

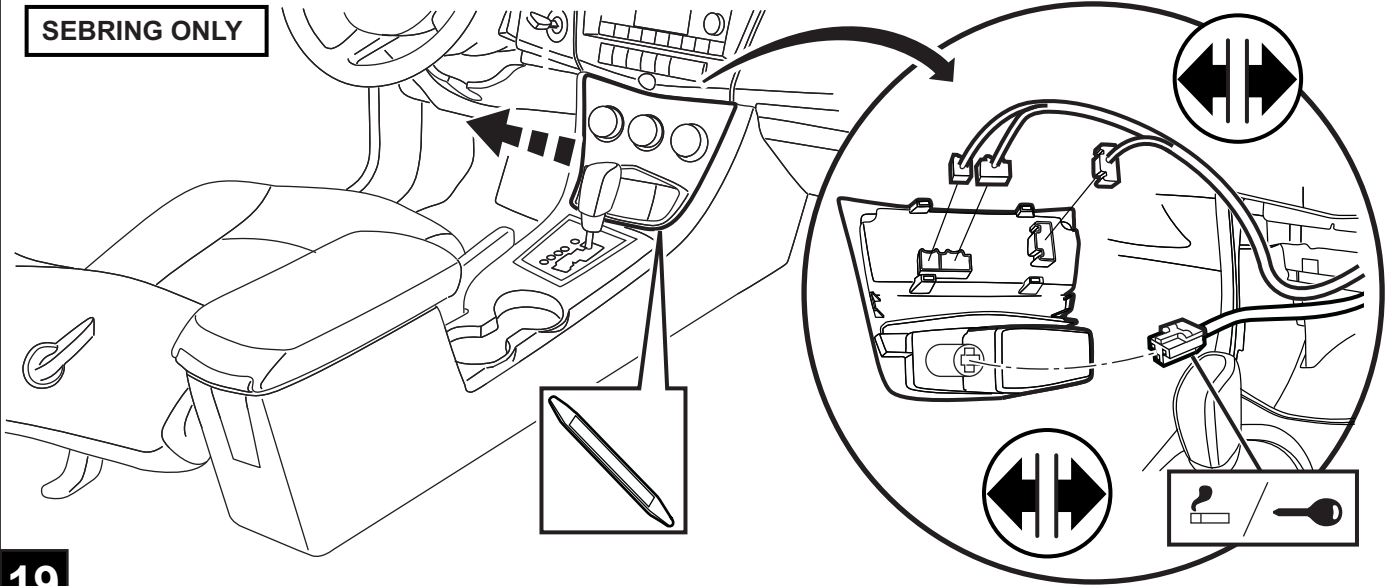
NOTE: USE ITEM H TO TIE STRAP AS NEEDED.



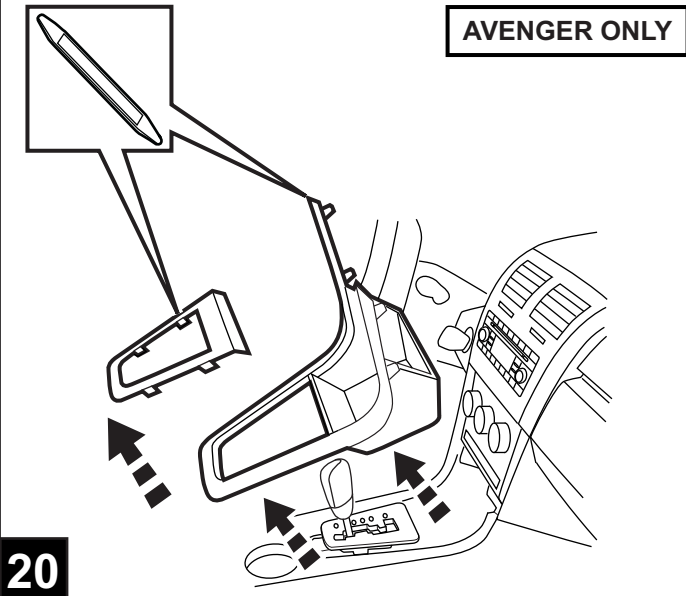
18

DODGE AVENGER / CHRYSLER SEBRING

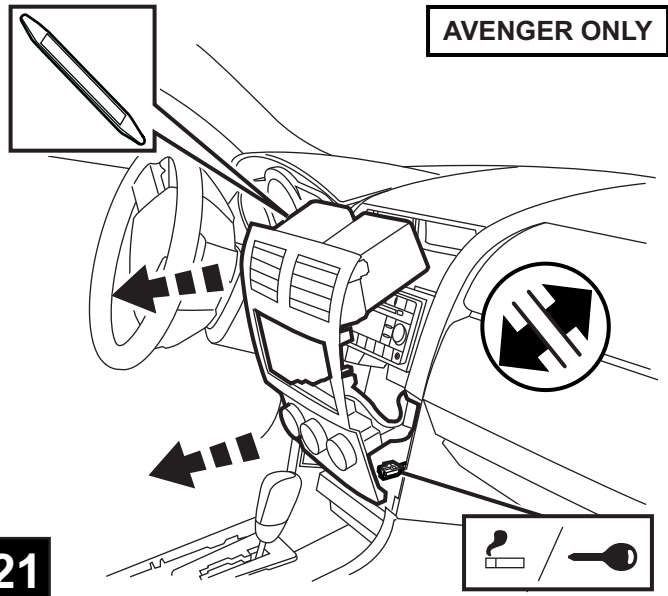
SEBRING ONLY



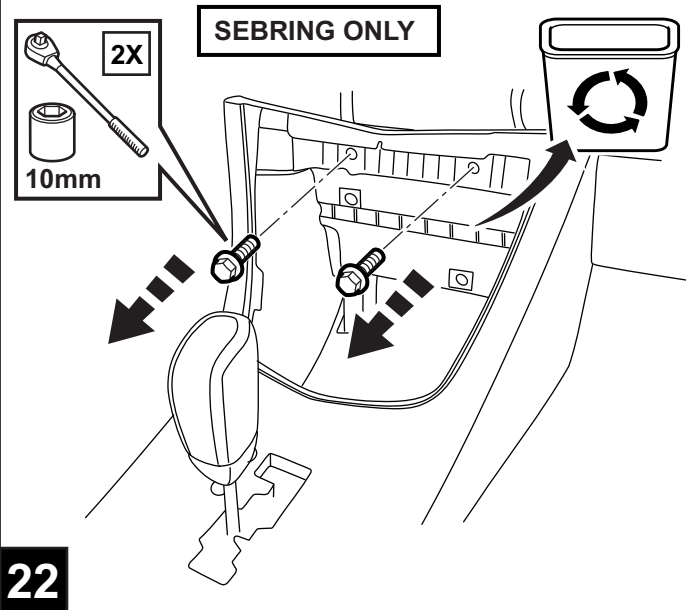
AVENGER ONLY



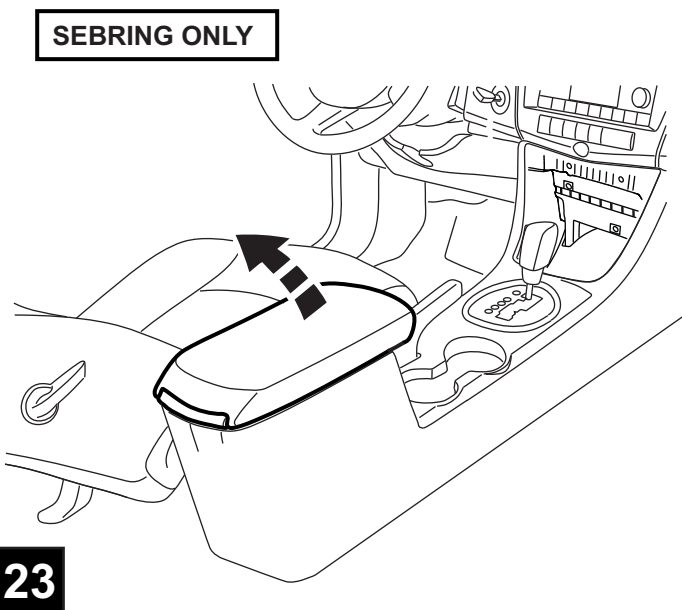
AVENGER ONLY



SEBRING ONLY

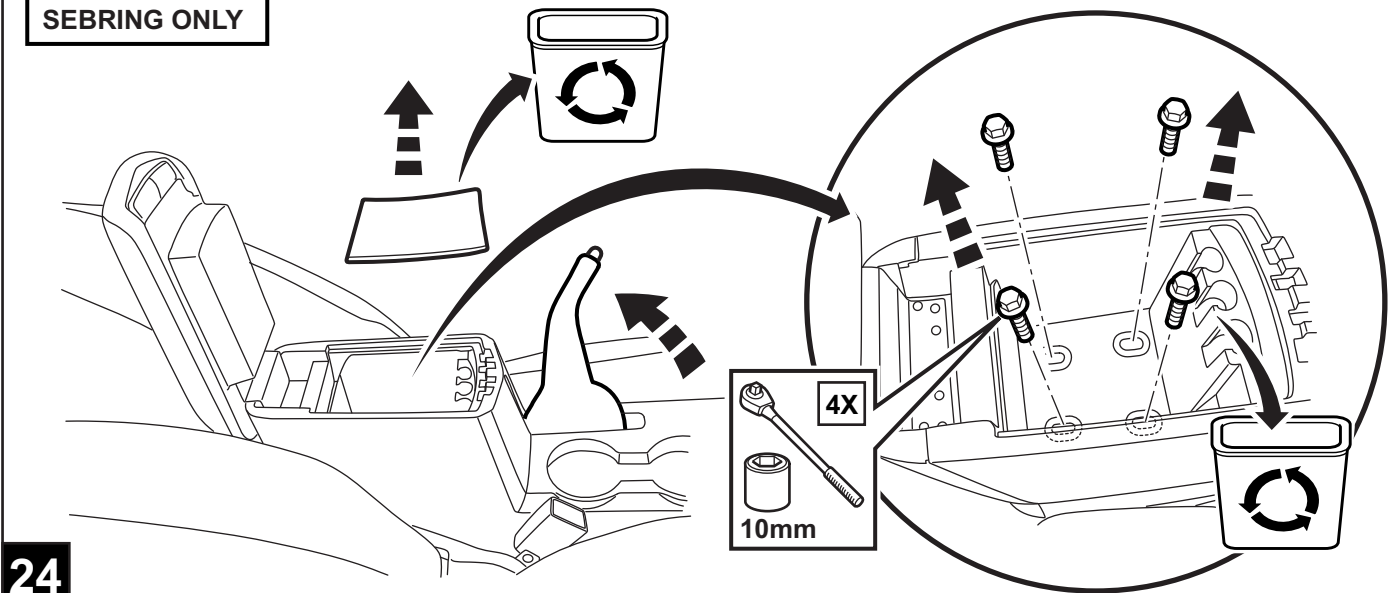


SEBRING ONLY



DODGE AVENGER / CHRYSLER SEBRING

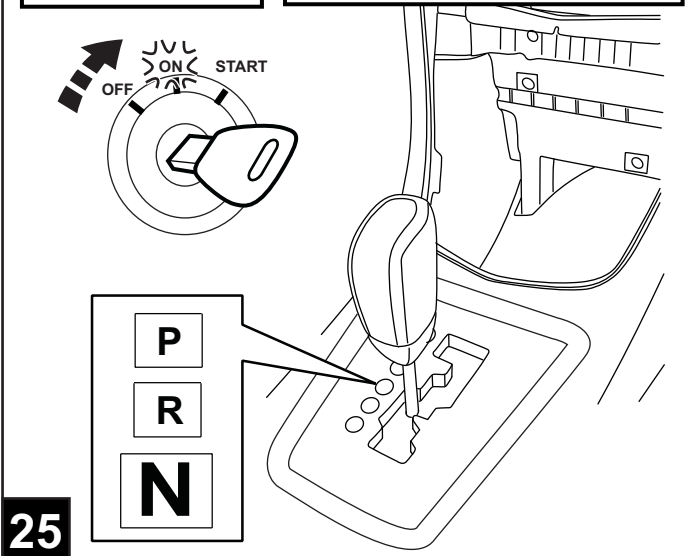
SEBRING ONLY



24

SEBRING ONLY

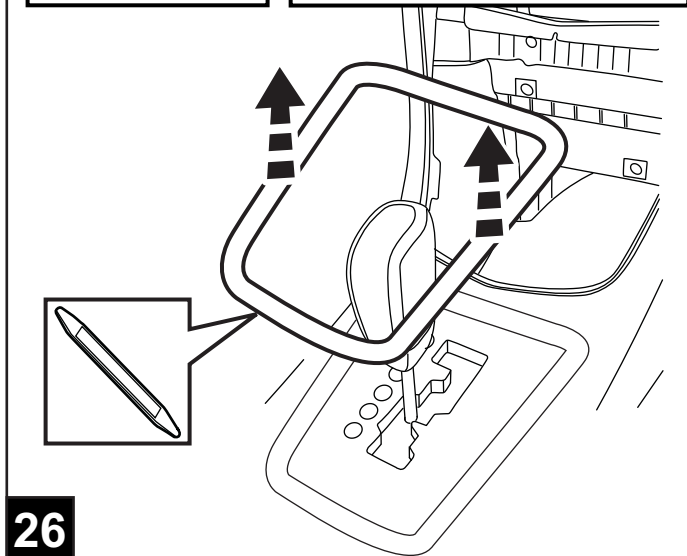
AUTOMATIC TRANSMISSION



25

SEBRING ONLY

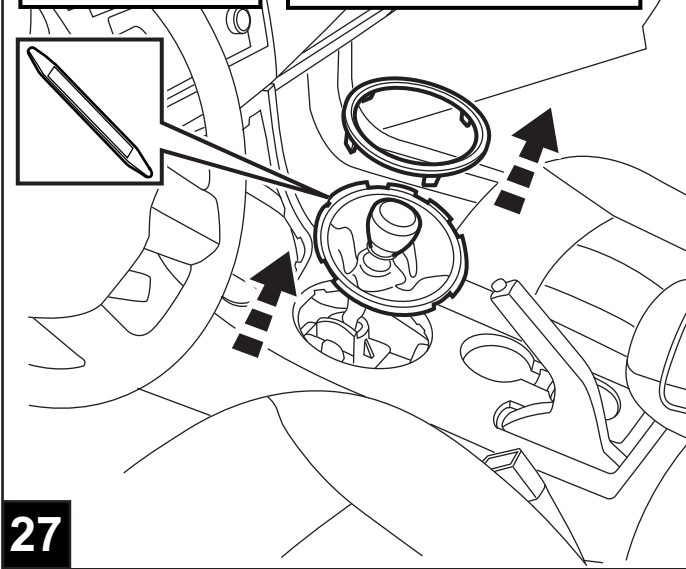
AUTOMATIC TRANSMISSION



26

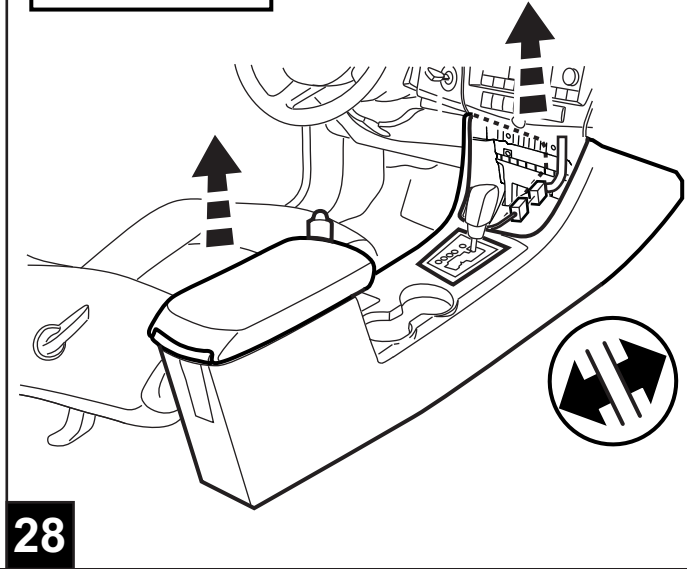
SEBRING ONLY

MANUAL TRANSMISSION



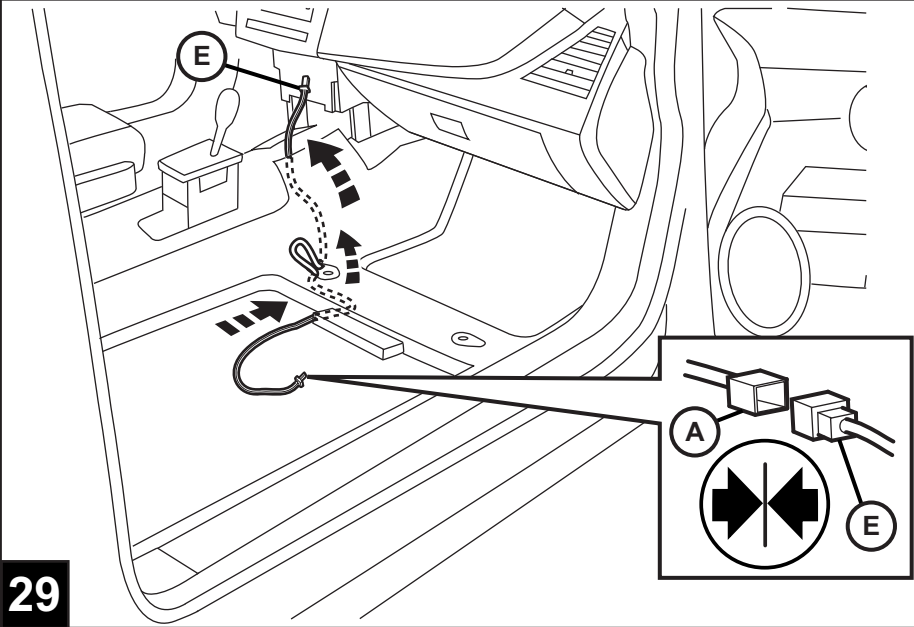
27

SEBRING ONLY



28

DODGE AVENGER / CHRYSLER SEBRING



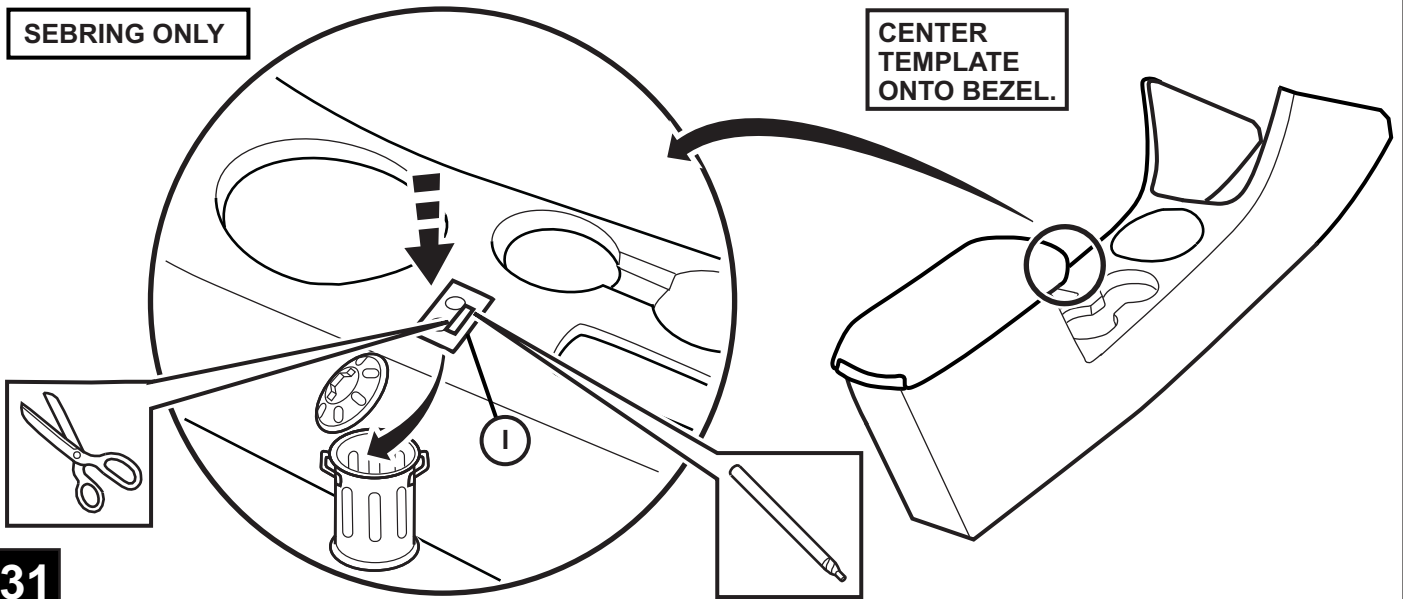
29

REPEAT STEPS
2 - 18, 29
FOR OPPOSITE SIDE

30

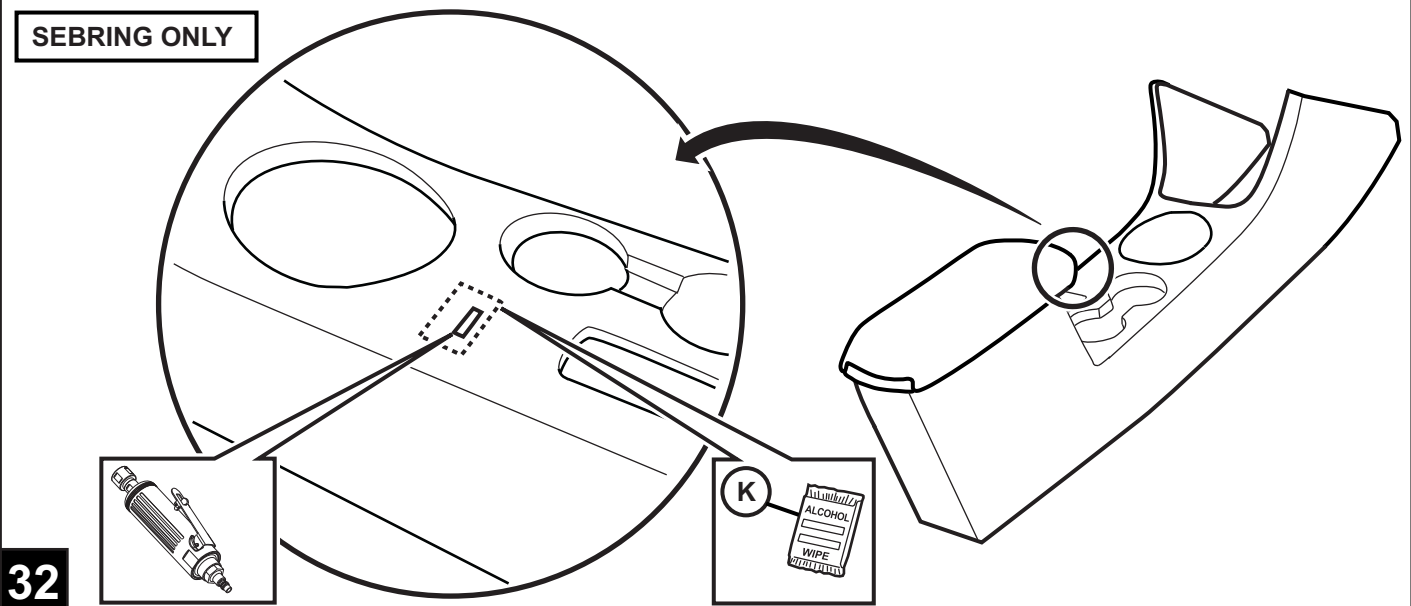
SEBRING ONLY

CENTER
TEMPLATE
ONTO BEZEL.



31

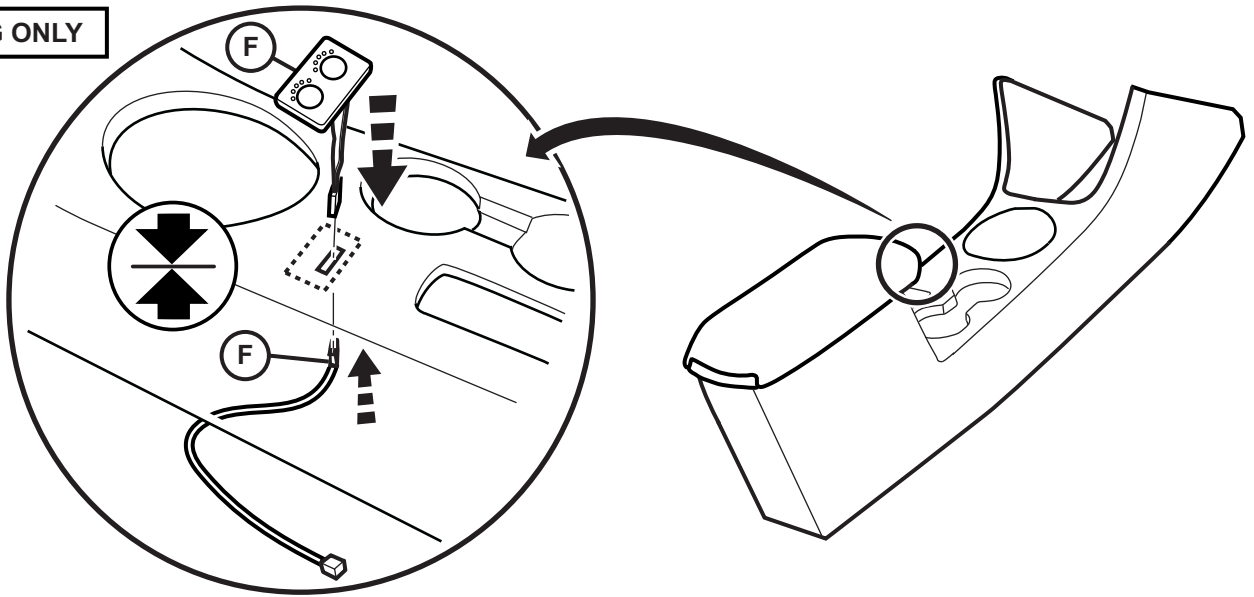
SEBRING ONLY



32

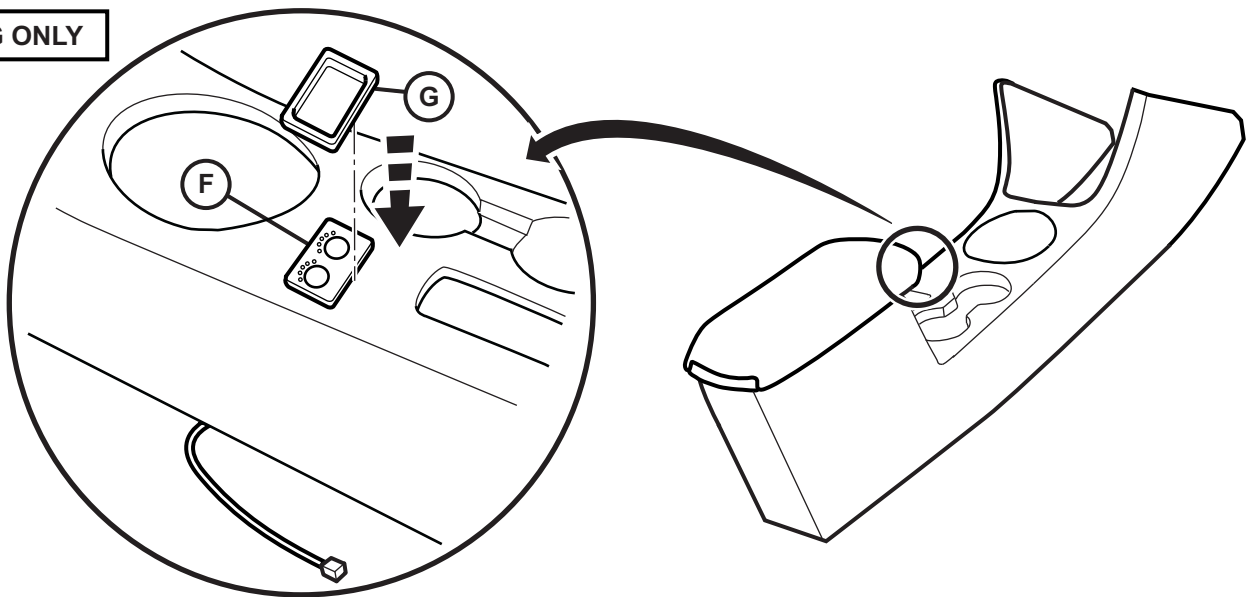
DODGE AVENGER / CHRYSLER SEBRING

SEBRING ONLY



33

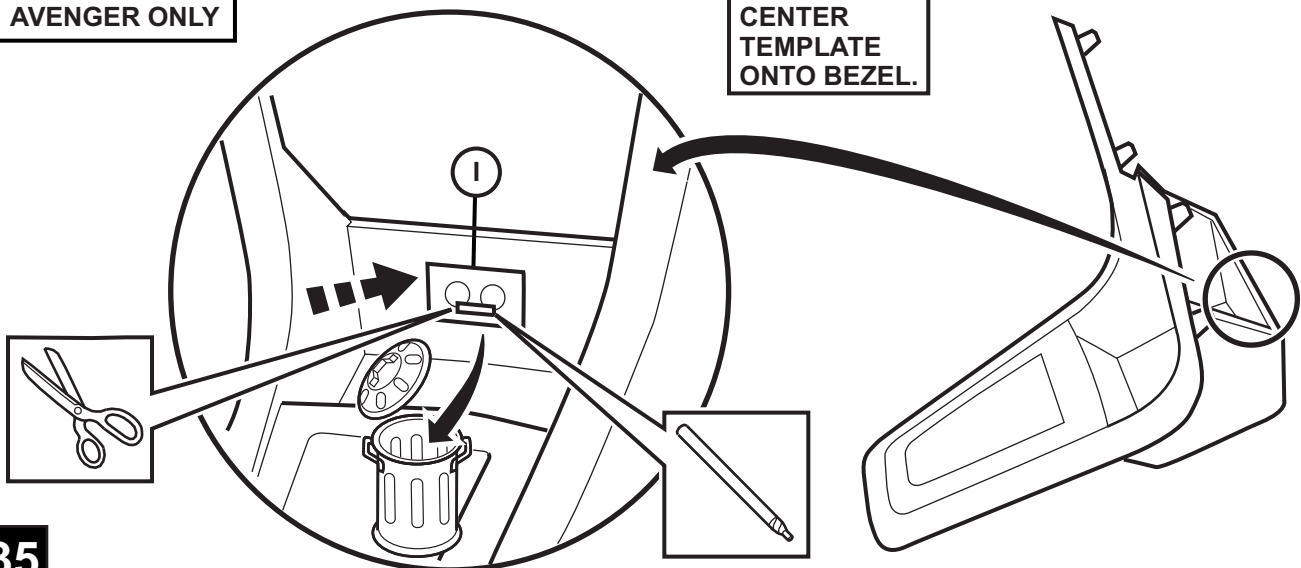
SEBRING ONLY



34

AVENGER ONLY

CENTER
TEMPLATE
ONTO BEZEL.

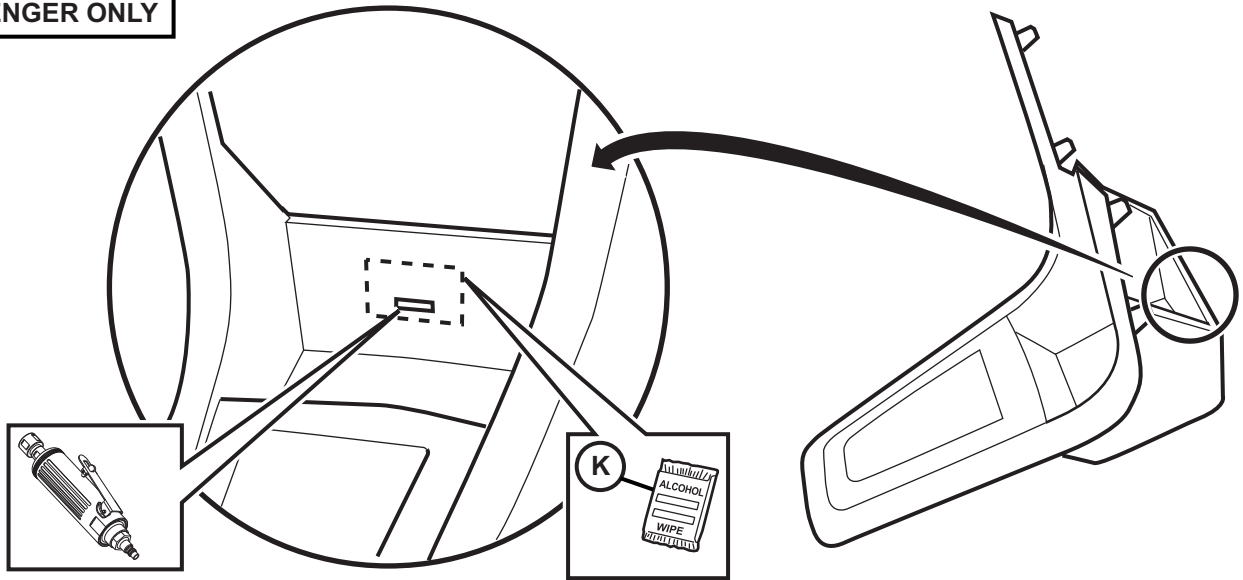


35

DODGE AVENGER / CHRYSLER SEBRING

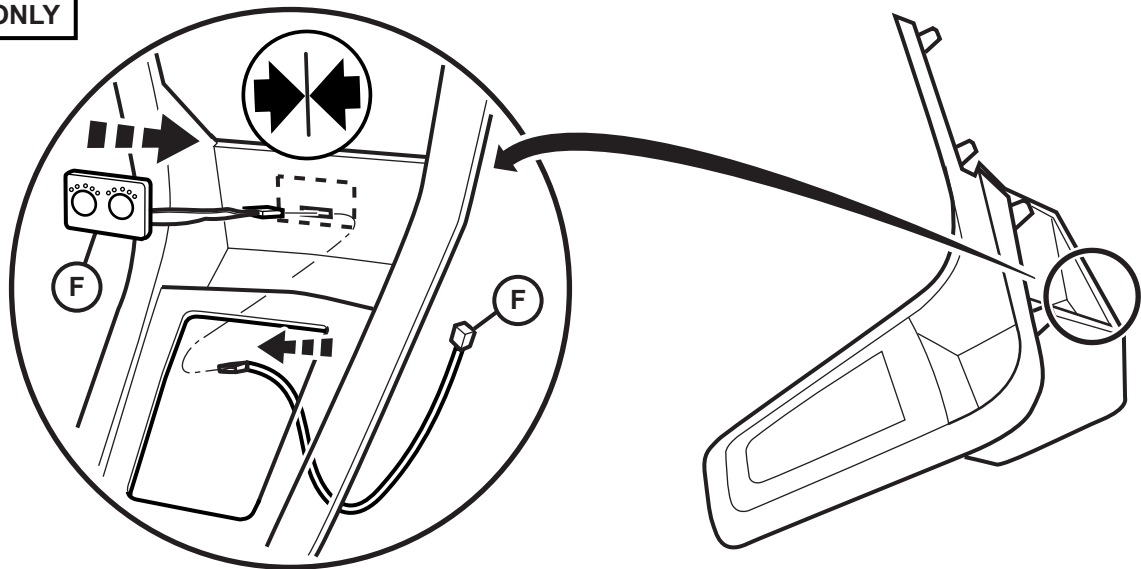
AVENGER ONLY

36



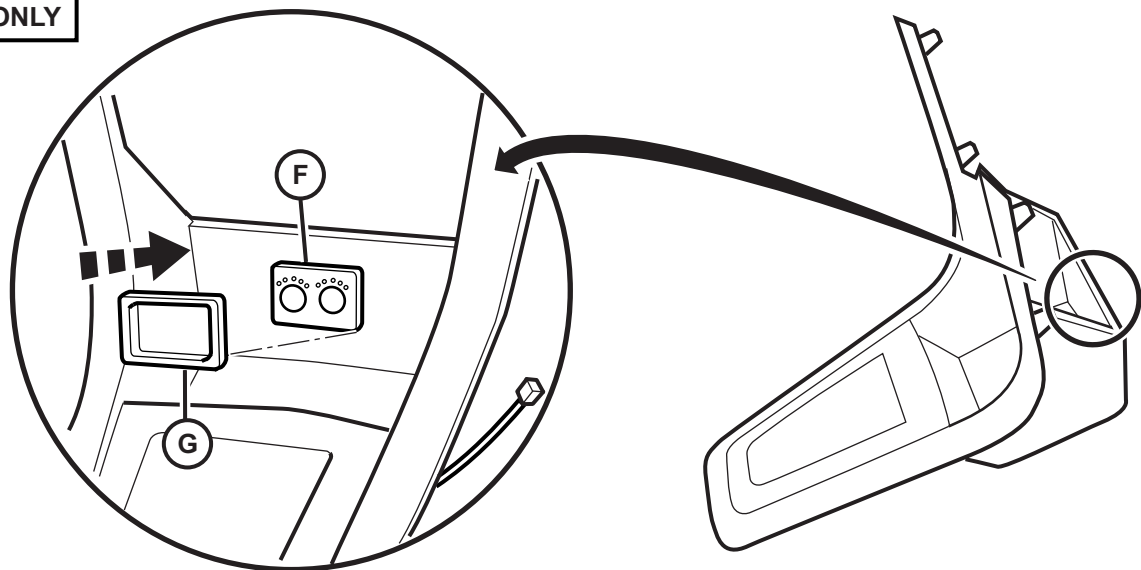
AVENGER ONLY

37

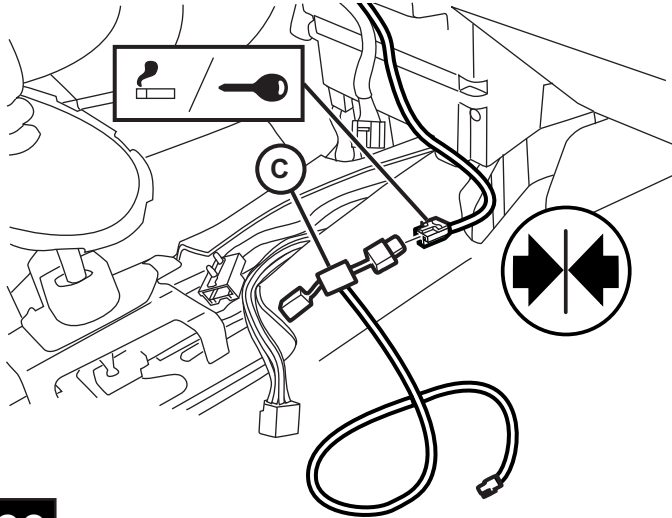


AVENGER ONLY

38

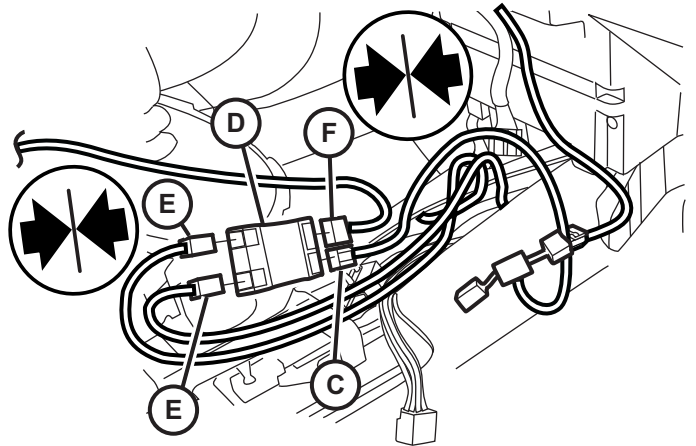


DODGE AVENGER / CHRYSLER SEBRING

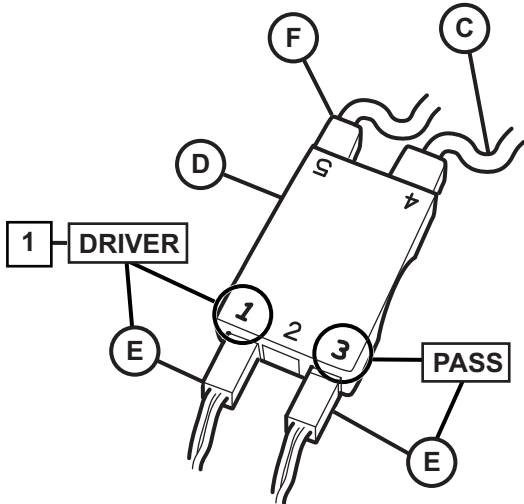


39

NOTE: USE ITEM H TO TIE STRAP AS NEEDED.

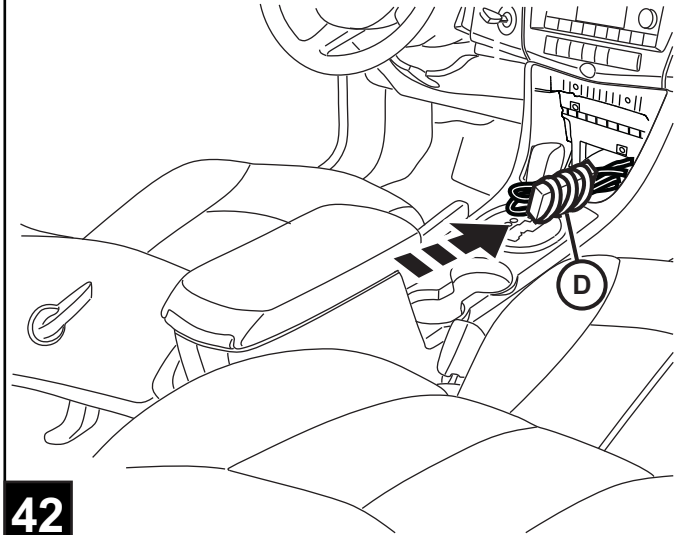


40



41

NOTE: USE ITEM H TO TIE STRAP AS NEEDED.



42

NOTE: REVERSE REMOVAL
STEPS 1-10, 12-14, 19-28
FOR RE-INSTALLATION

43

DODGE AVENGER / CHRYSLER SEBRING

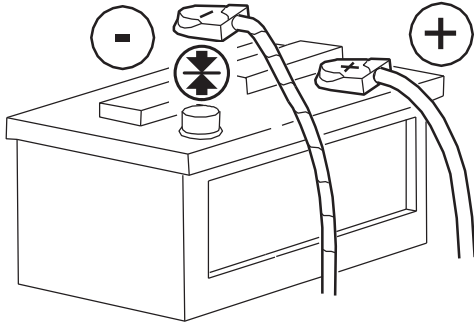
FRONT HEATED SEATS SIÈGES AVANT CHAUFFANT HEIZUNG VORDERSITZE SEDILI ANTERIORI RISCALDATI

- 3 TORQUE TO 29 ft-lbs (40NM) FOR RE-INSTALLATION
CLÉ DYNAMOMÉTRIQUE DE 29 ft-lbs (40NM) POUR LA RÉINSTALLATION
DREHMOMENT FÜR WIEDEREINBAU 29 ft-lbs (40NM)
COPPIA DI SERRAGGIO FINO A 40 NM PER LA REINSTALLAZIONE
APRIETE A 29 ft-lbs (40NM) PARA LA REINSTALACIÓN**
- 4,5 TORQUE TO 45 ft-lbs (61NM) FOR RE-INSTALLATION
CLÉ DYNAMOMÉTRIQUE DE 45 ft-lbs (61NM) POUR LA RÉINSTALLATION
DREHMOMENT FÜR WIEDEREINBAU 45 ft-lbs (61NM)
COPPIA DI SERRAGGIO FINO A 61 NM PER LA REINSTALLAZIONE
APRIETE A 45 ft-lbs (61NM) PARA LA REINSTALACIÓN**
- 10 USE "ITEM "L" TO RE-INSTALL
UTILISER "L'ÉLÉMENT "L" POUR RÉINSTALLER
WIEDEREINBAU MIT „TEIL „L“
USARE "L'ARTICOLO L" PER LA REINSTALLAZIONE
USE EL ARTÍCULO "L" PARA REINSTALAR**
- 11,16 NOTE: ELEMENT MUST BE CENTERED ON SEAT. SPACING BETWEEN EDGE OF
ELEMENT AND INNER RIDGE OF CUSHION/PAD MUST BE EQUAL TO OPPOSITE
SIDE.
NOTE : L'ÉLÉMENT DOIT ÊTRE PLACE AU CENTRE DU SIÈGE. L'ESPACE ENTRE
BORDO DELL'ELEMENTO E LA COSTA INTERNA DELLA
PROTEZIONE/IMBOTTITURA DEVE ESSERE EQUIVALENTE A QUELLO DEL LATO
OPPOSTO.
NOTA: EL ELEMENTO DEBE QUEDAR CENTRADO EN EL ASIENTO. EL
ESPACIAMIENTO ENTRE EL BORDE DEL ELEMENTO Y EL CABALLETE INTERNO
DEL COJÍN DEBE SER IGUAL EN EL LADO OPUESTO.**
- 11,16 REMOVE ADHESIVE BACKING PRIOR TO INSTALLATION
ENLEVER L'ADHÉSIF AVANT INSTALLATION
VOR EINBAU SELBSTKLEBE-ABDECKFOLIE ENTFERNEN
PRIMA DELL'INSTALLAZIONE, RIMUOVERE IL DORSO ADESIVO
RETIRE EL SOPORTE ADHESIVO ANTES DE LA INSTALACIÓN**

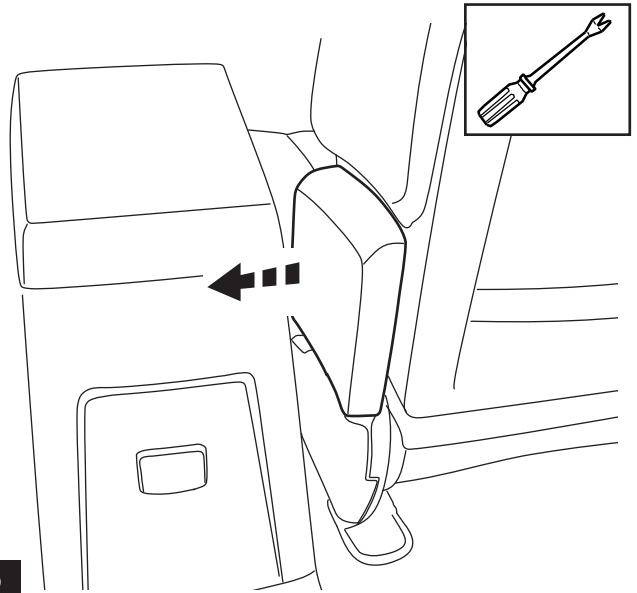
DODGE AVENGER / CHRYSLER SEBRING

- 18,40,42 NOTE: USE "ITEM H" TO TIE STRAP AS NEEDED.
NOTE : UTILISER "L'ÉLÉMENT "H" POUR RESSERER LA LANIÈRE SELON LES BESOINS.
WICHTIG: MIT "TEIL H" NACH BEDARF FIXIEREN.
NOTA: SE NECESSARIO, USARE LA FASCETTA FERMACAVO, "ARTICOLO H".
NOTA: USE EL ARTÍCULO "H" PARA AJUSTAR LO NECESARIO EL AMARRE.
- 30 REPEAT STEPS 2-18, 29 FOR OPPOSITE SIDE
RÉPÉTER LES ÉTAPES 2-18, 29 POUR L'AUTRE CÔTÉ
SCHRITTE 2-18, 29 FÜR ZWEITEN SITZ WIEDERHOLEN
RIPETERE I PASSAGGI 2-18, 29 PER IL LATO OPPOSTO
REPITA LOS PASOS 2-18, 29 EN EL LADO OPUESTO
- 31,35 CENTER TEMPLATE ONTO BEZEL.
CENTRER MAQUETTE SUR COLLERETTE.
SCHABLONE AUF BLENDE ZENTRIEREN.
CENTRARE LA MASCHERINA SULLA CORNICE.
PLANTILLA DE CENTRO SOBRE BISEL.
- 41 DRIVER PASS
CONDUCTEUR PASS
FAHRER BEIF.
DRIVER PASSANTE
CONDUCTOR PASAJERO
- 43 NOTE: REVERSE REMOVAL STEPS 1-10, 12-14, 19-28 FOR RE-INSTALLATION
NOTE : INVERSER LES ÉTAPES DE DÉINSTALLATION 1-10, 12-14, 19-28
POUR LA REINSTALLATION
WICHTIG: ZUM EINBAUABSCHLUSS SCHRITTE 1-10, 12-14, 19-28 UMKEHREN
NOTA: PER LA REINSTALLAZIONE, INVERTIRE I PASSAGGI RELATIVI ALLA RIMOZIONE 1-10, 12-14, 19-28
NOTA: PASOS REVERSOS 1-10, 12-14, 19-28 DEL RETIRO PARA LA REINSTALACIÓN

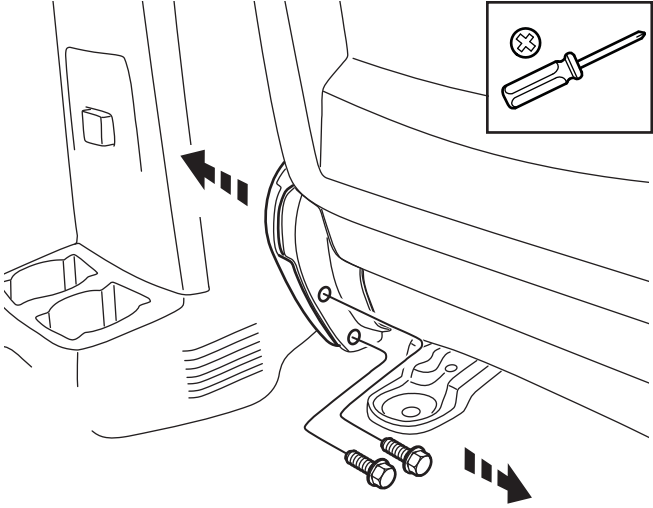
JEEP LIBERTY / DODGE NITRO



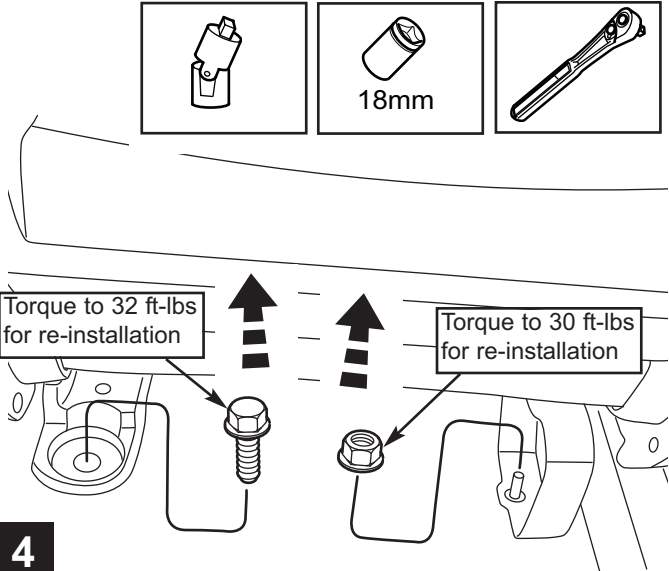
1



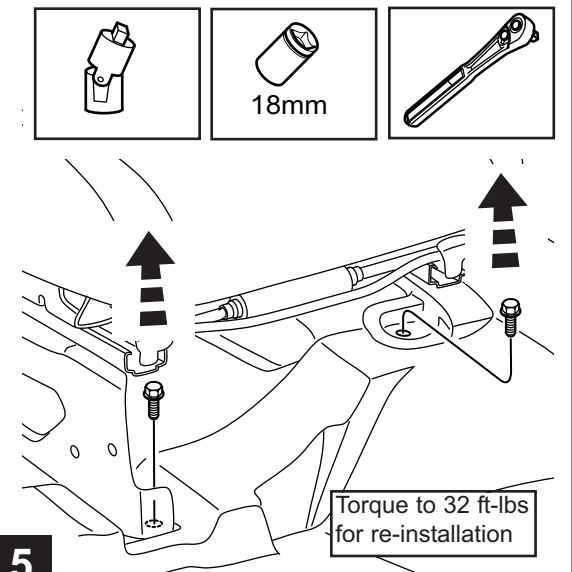
2



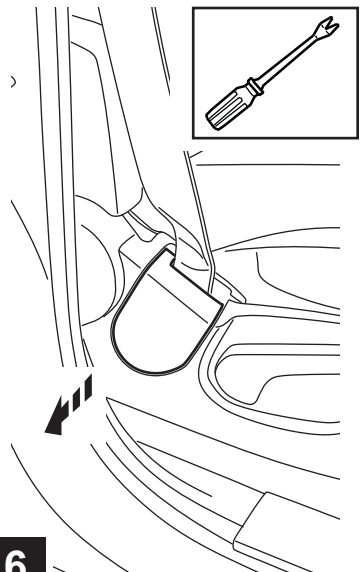
3



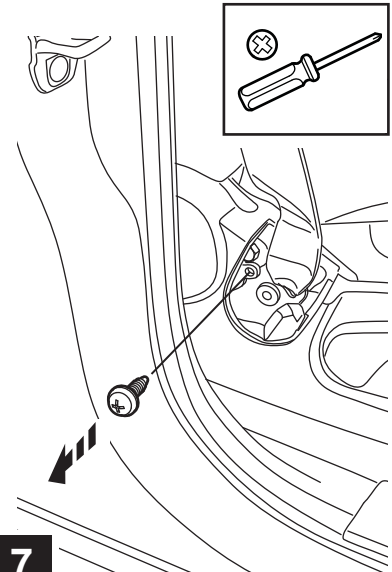
4



5

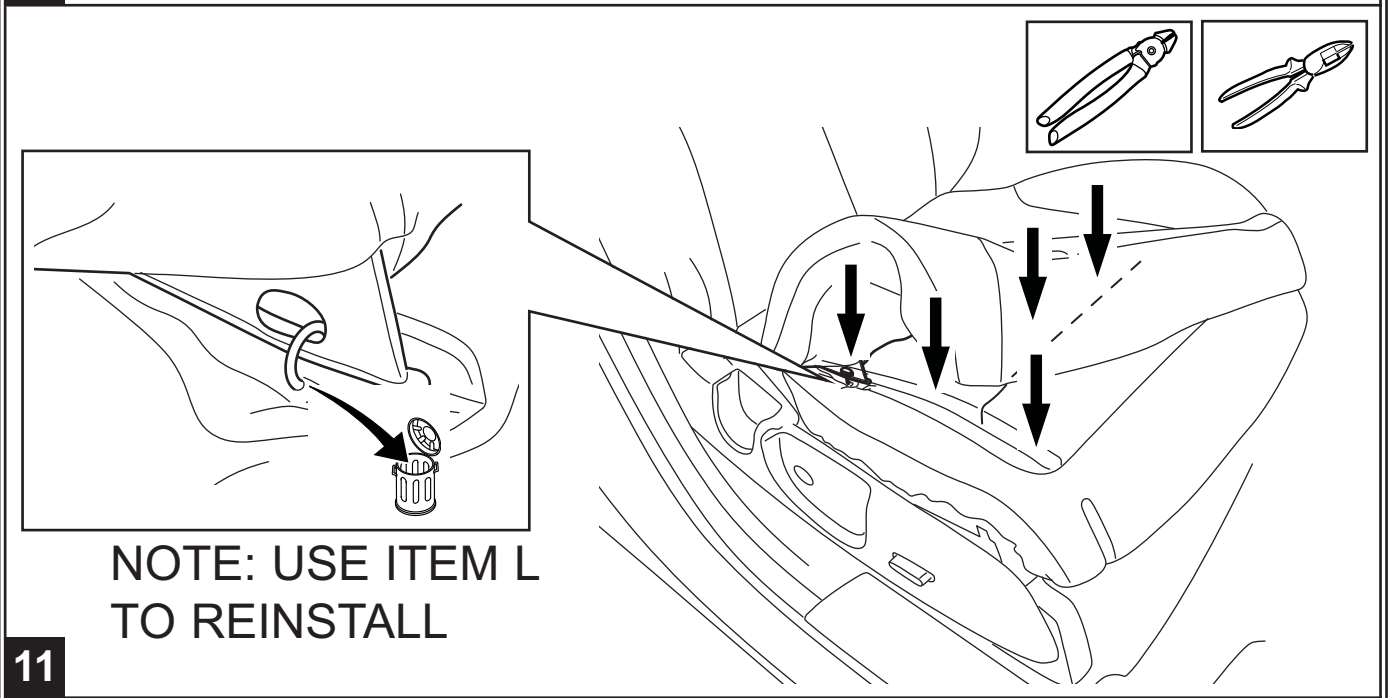
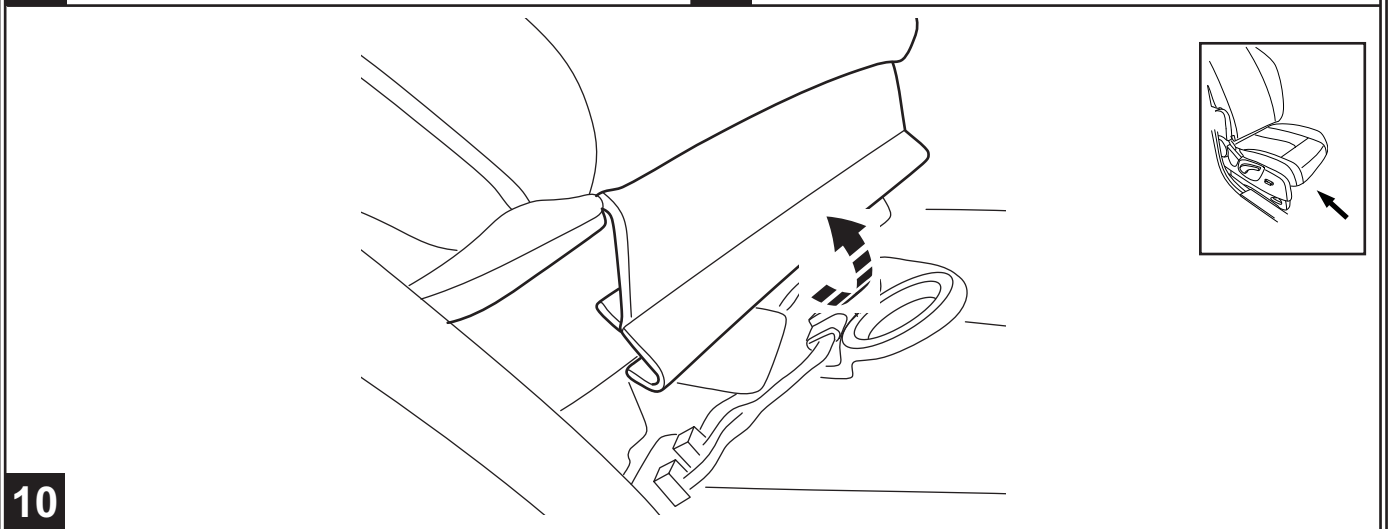
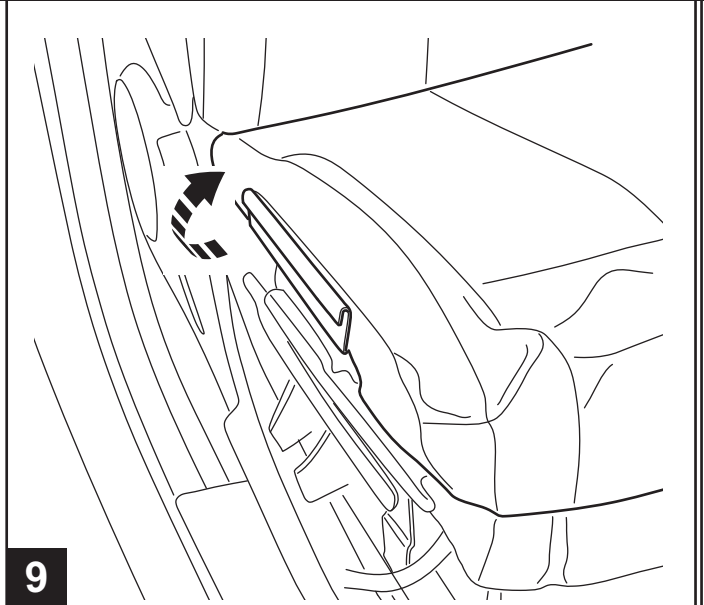
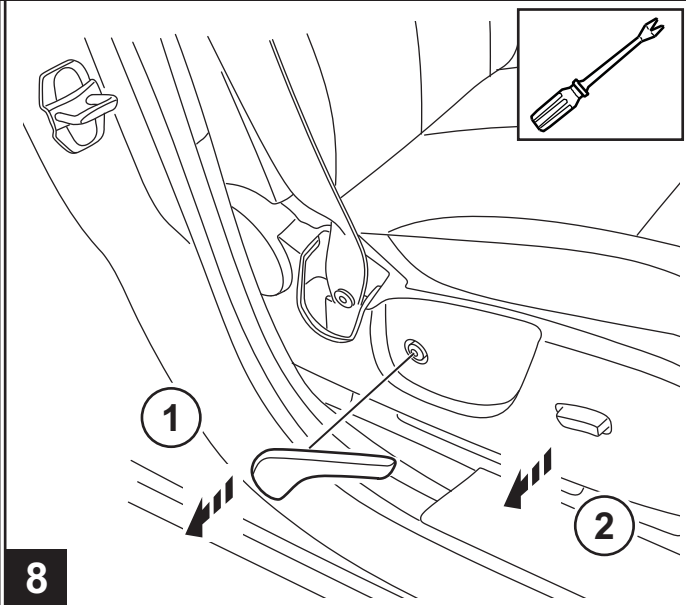


6

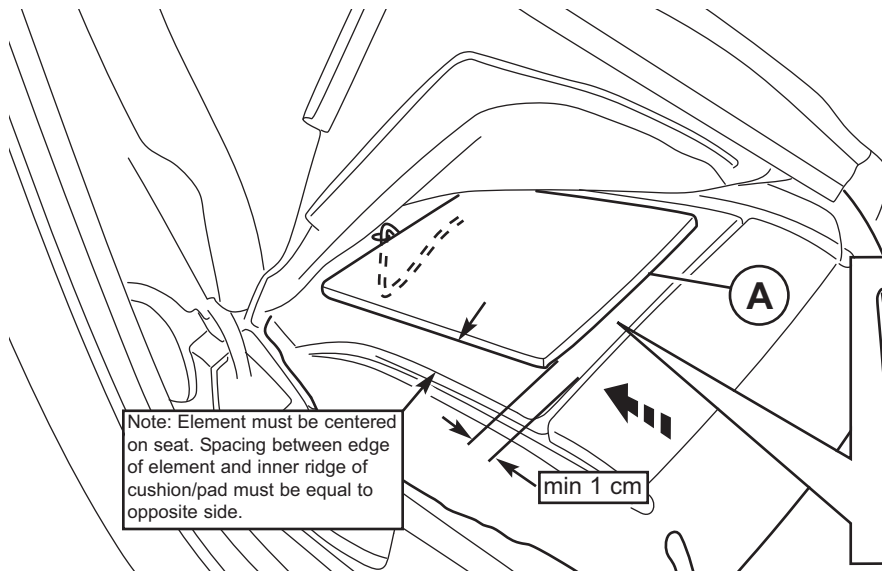


7

JEEP LIBERTY / DODGE NITRO

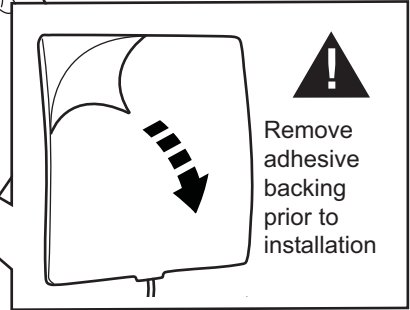
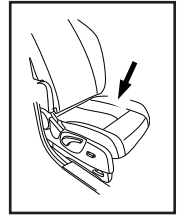


JEEP LIBERTY / DODGE NITRO



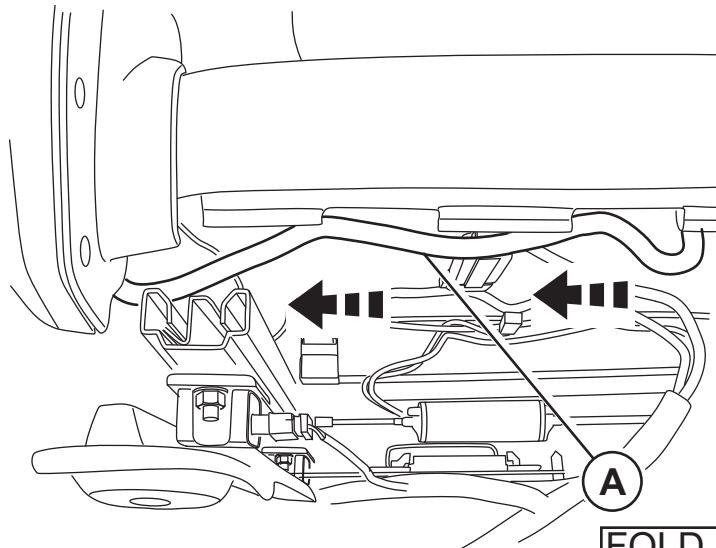
Note: Element must be centered on seat. Spacing between edge of element and inner ridge of cushion/pad must be equal to opposite side.

min 1 cm

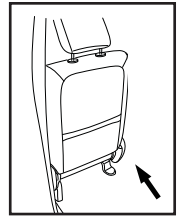


Remove adhesive backing prior to installation

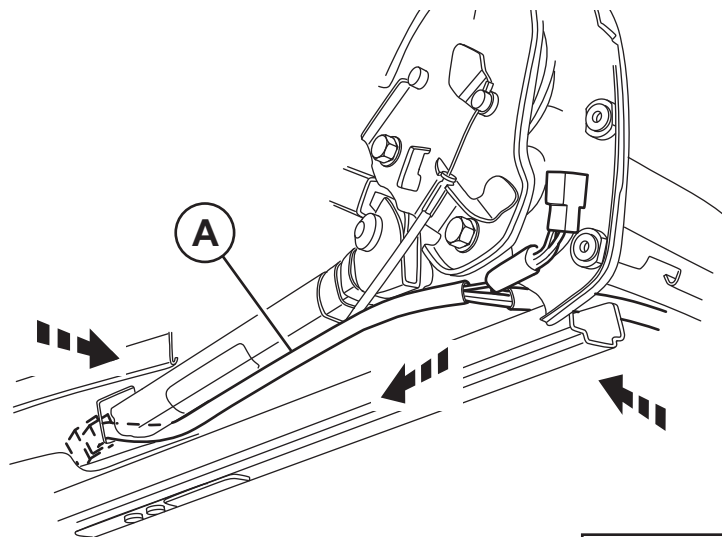
12



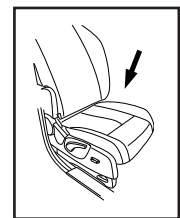
FOLD FLAT SEAT OPTION



13

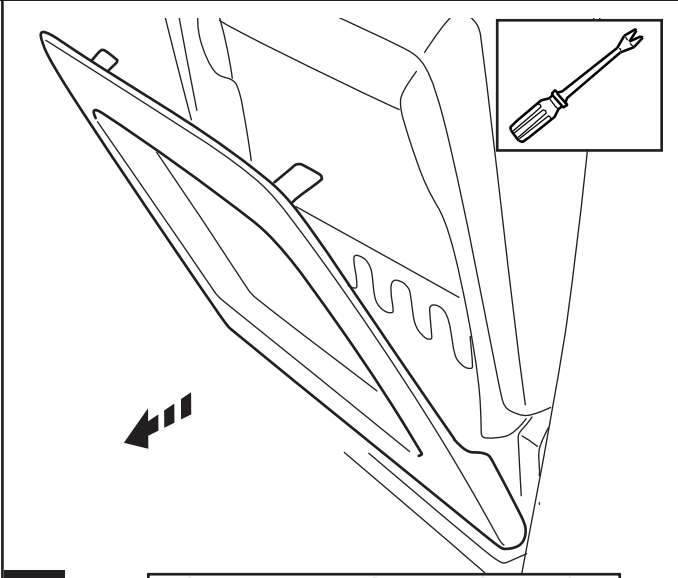


FOLD FLAT SEAT OPTION

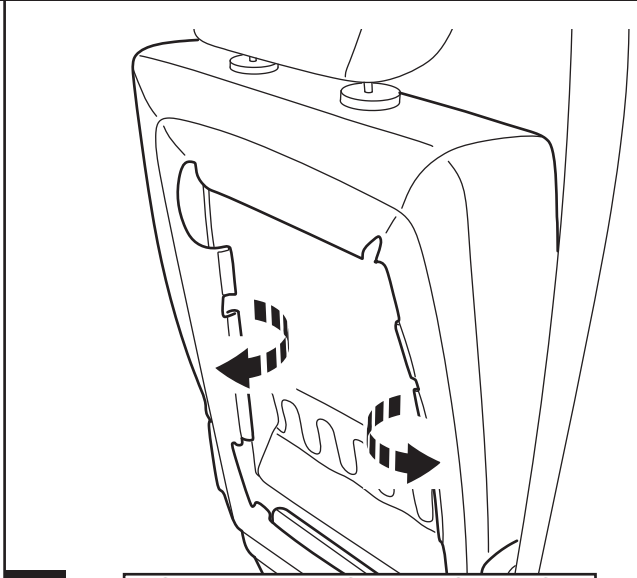


14

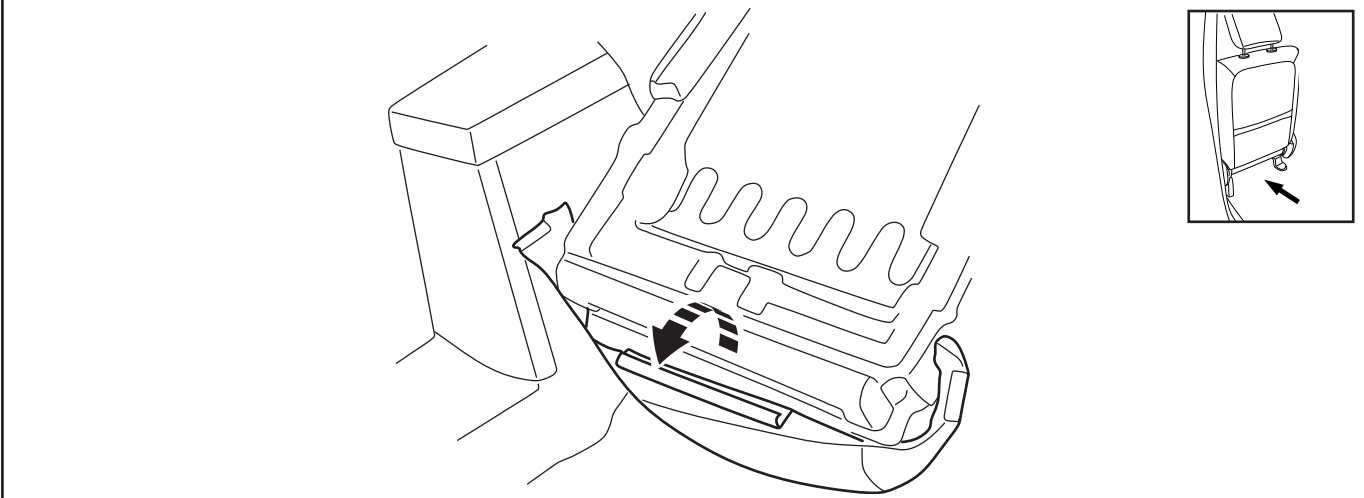
JEEP LIBERTY / DODGE NITRO



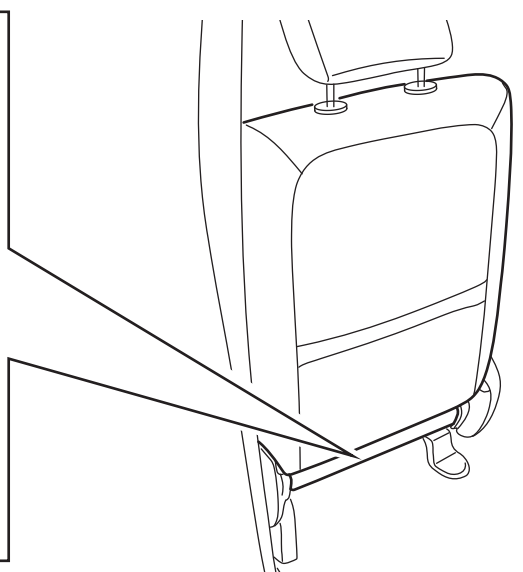
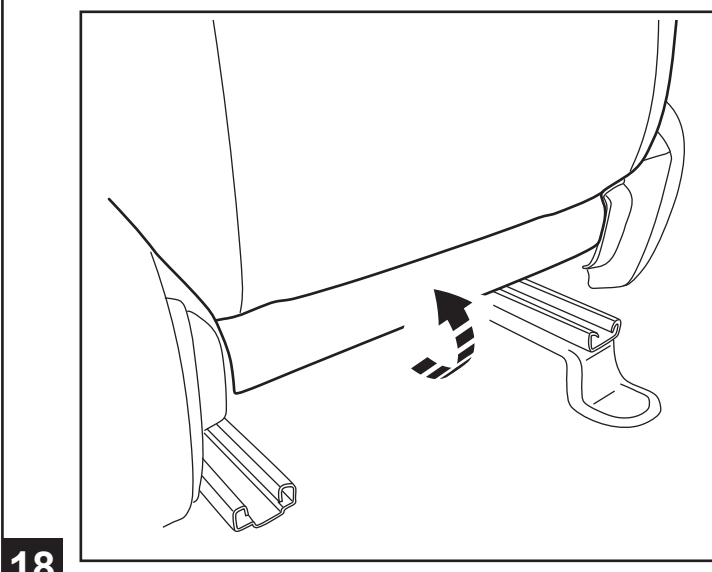
15 FOLD FLAT SEAT OPTION



16 FOLD FLAT SEAT OPTION



17 FOLD FLAT SEAT OPTION

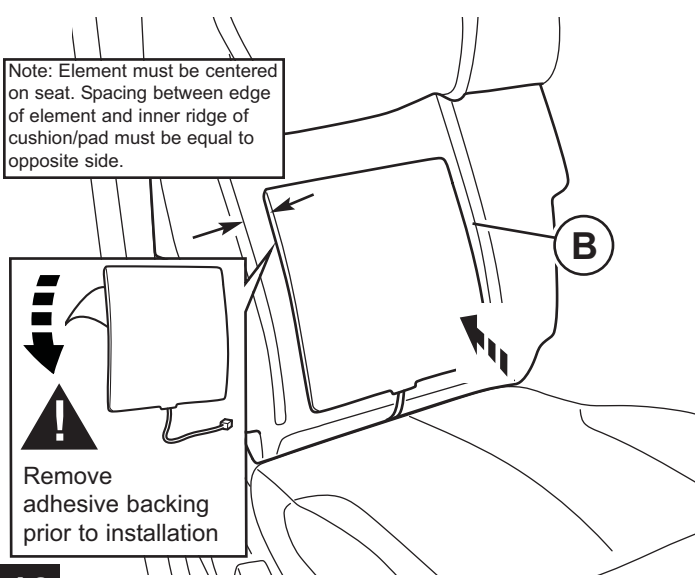


18

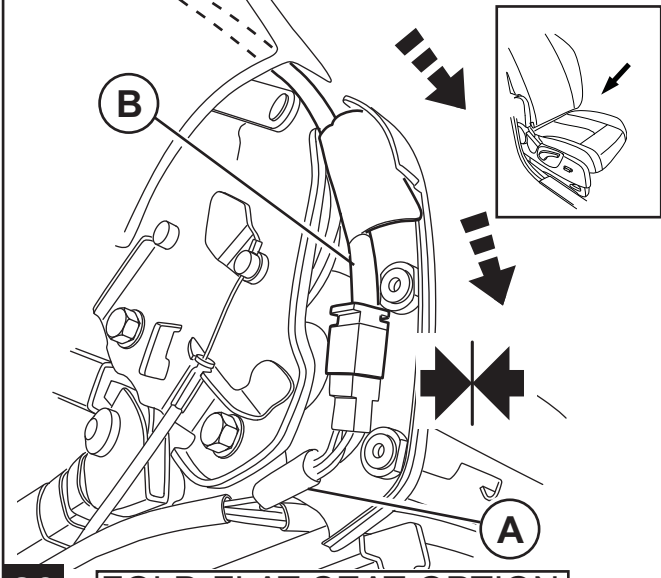
JEEP LIBERTY / DODGE NITRO

Note: Element must be centered on seat. Spacing between edge of element and inner ridge of cushion/pad must be equal to opposite side.

 Remove adhesive backing prior to installation



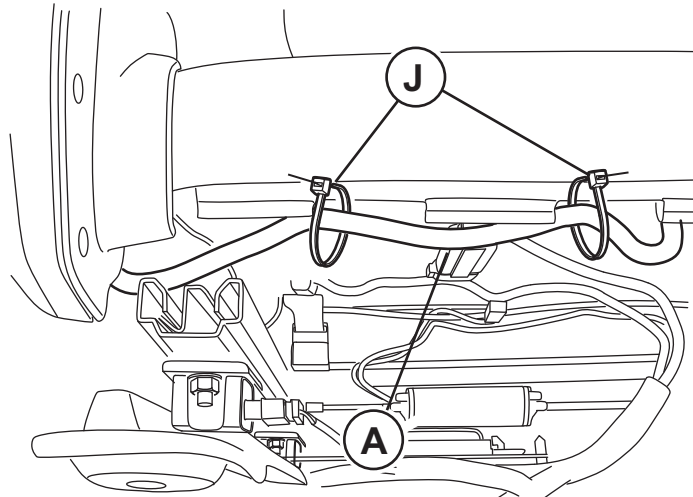
19



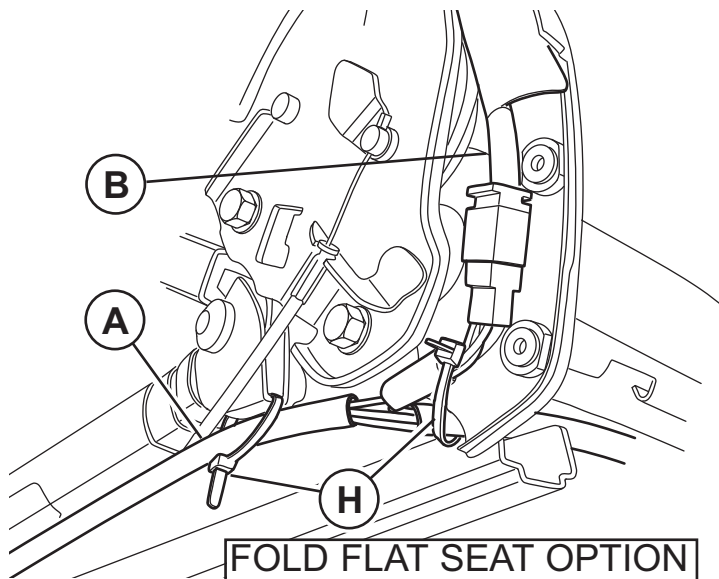
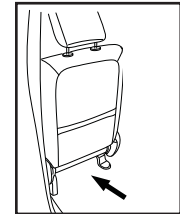
20

FOLD FLAT SEAT OPTION

FOLD FLAT SEAT OPTION



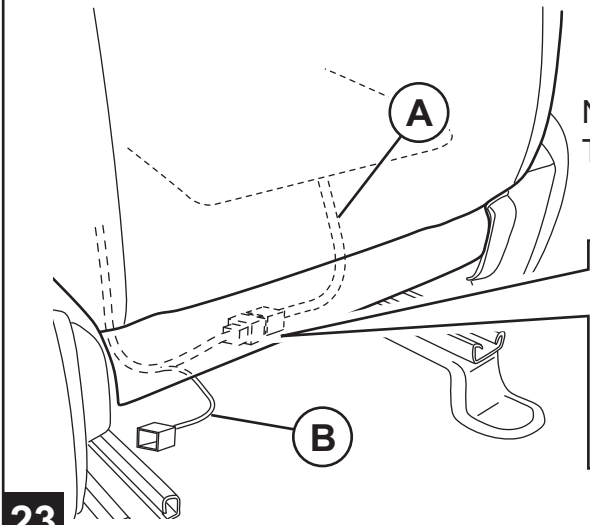
21 2x



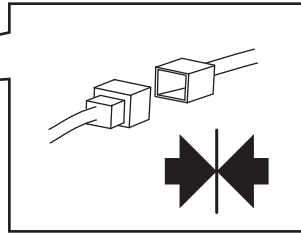
22 2x

FOLD FLAT SEAT OPTION

JEEP LIBERTY / DODGE NITRO



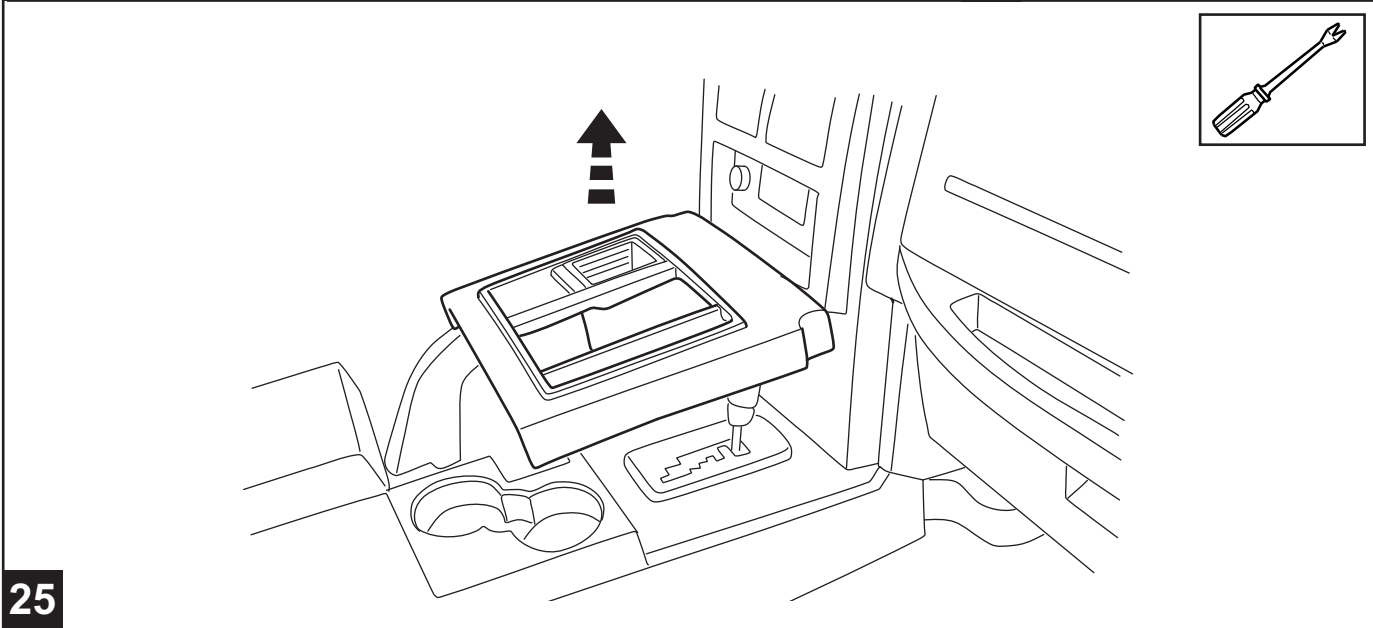
NOTE: USE ITEM J TO TIE STRAP AS NEEDED



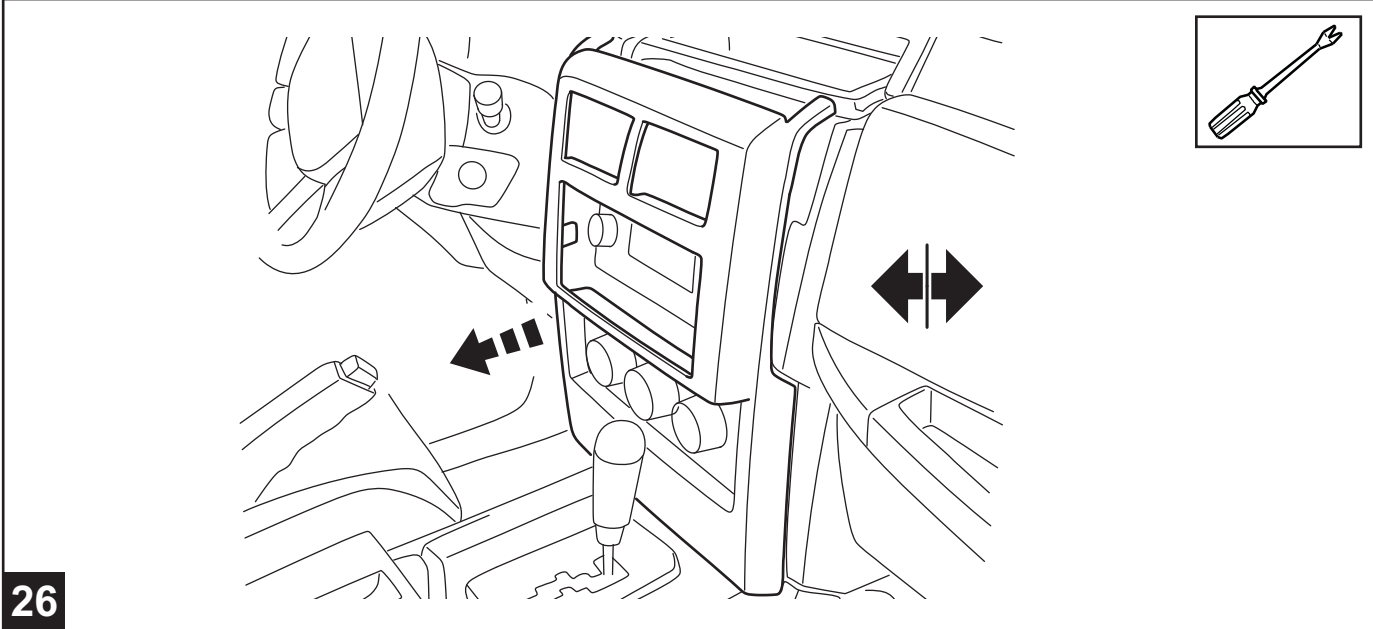
Repeat steps
2 - 23 for
opposite side

23

24

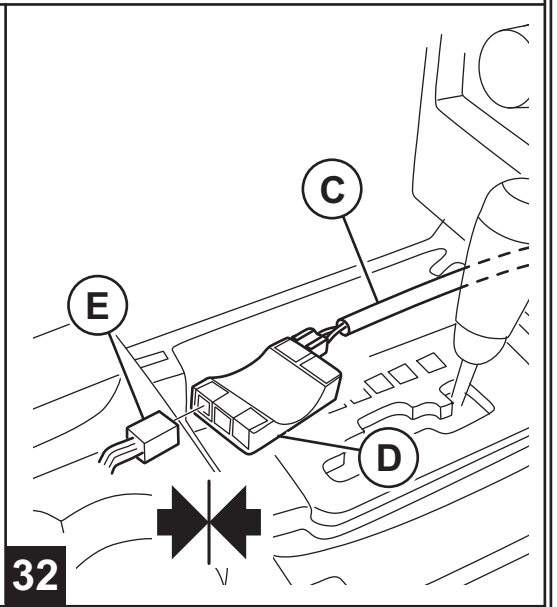
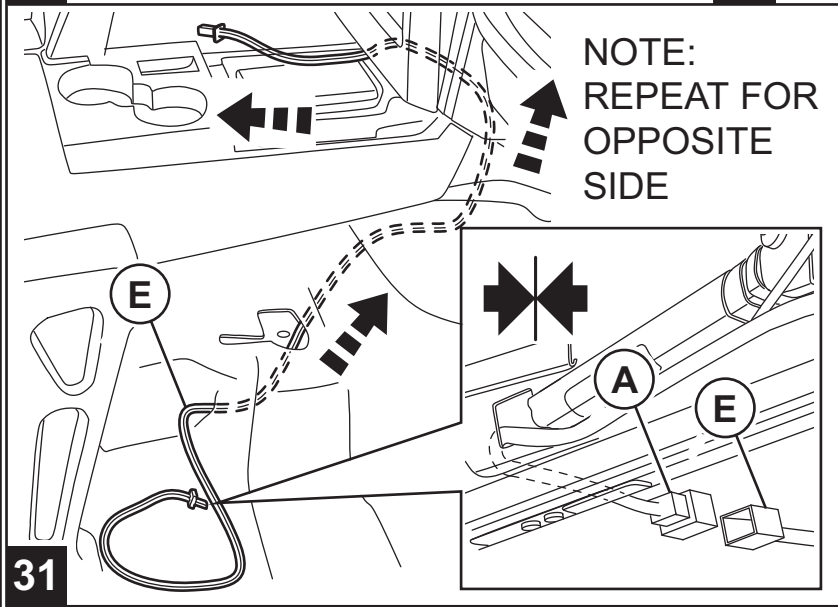
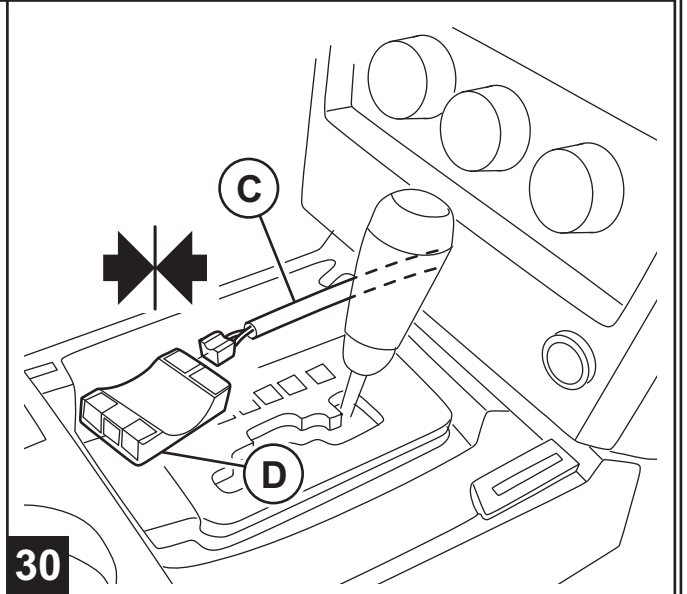
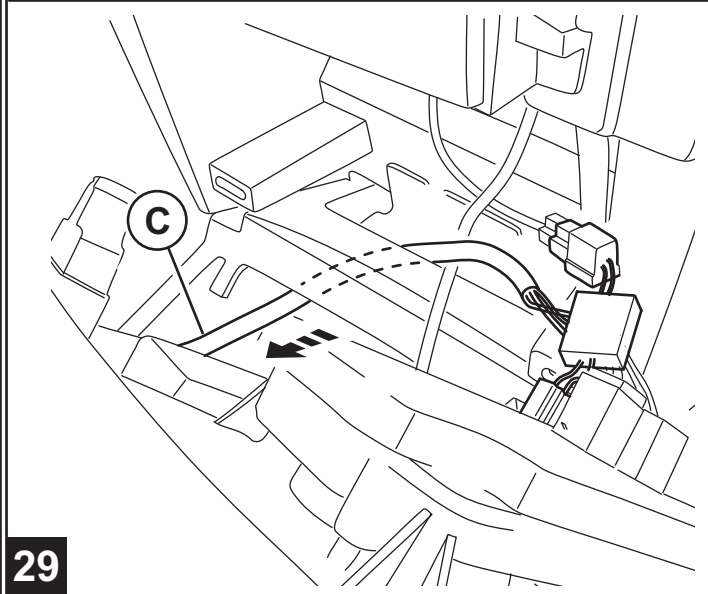
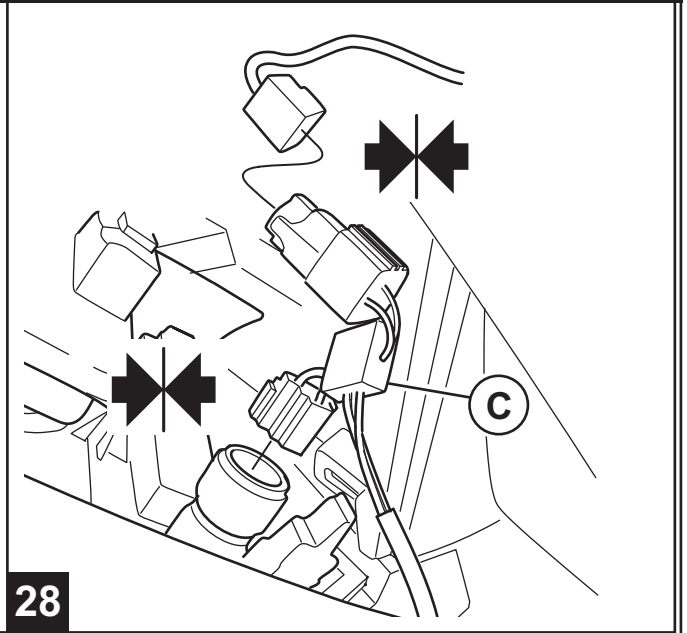
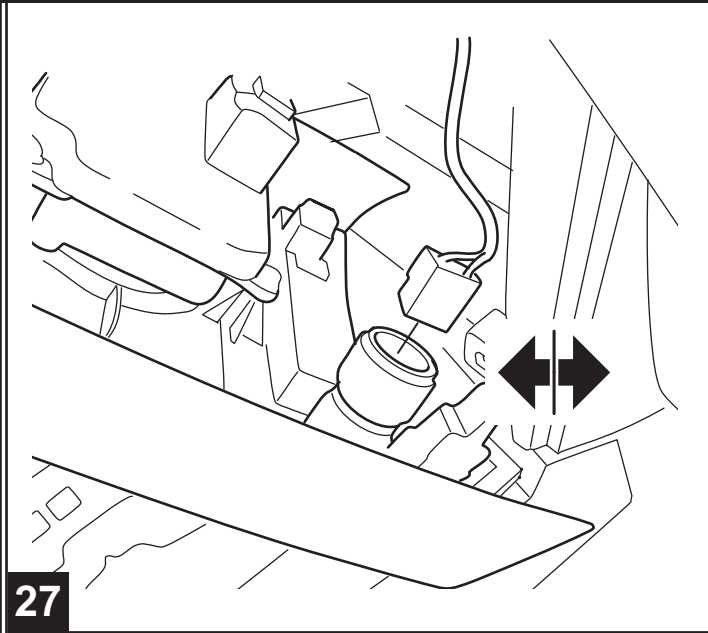


25

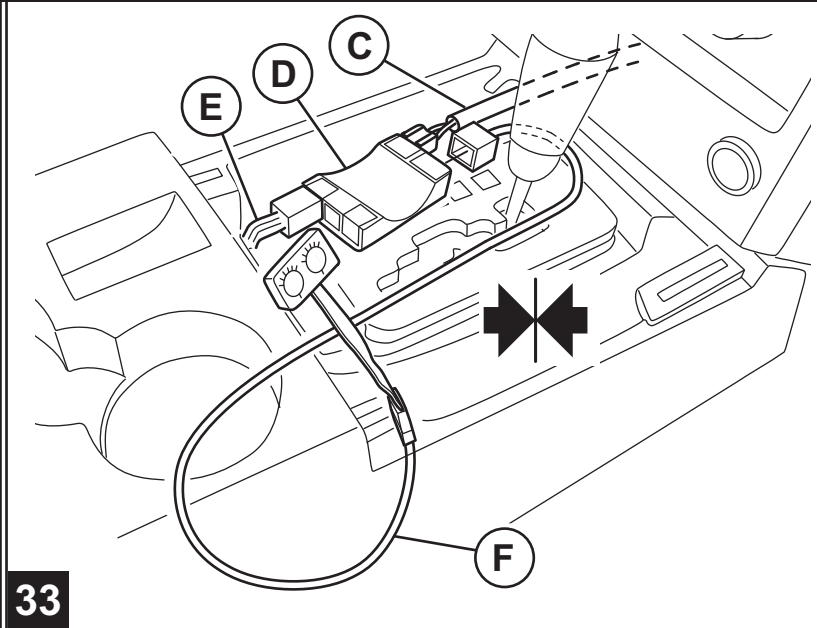


26

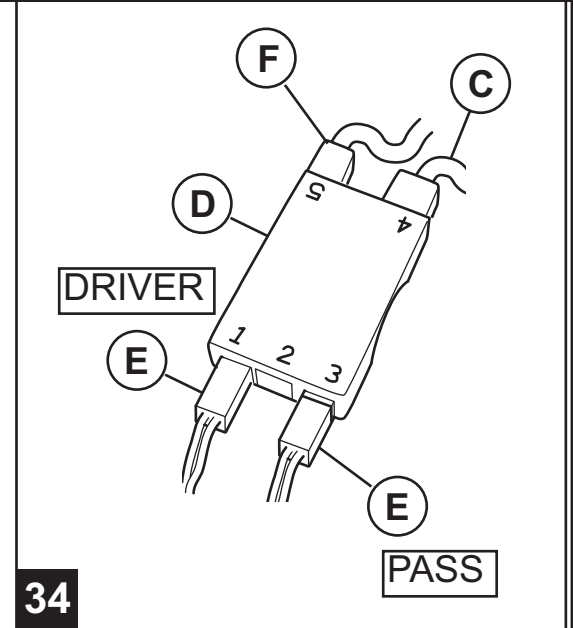
JEEP LIBERTY / DODGE NITRO



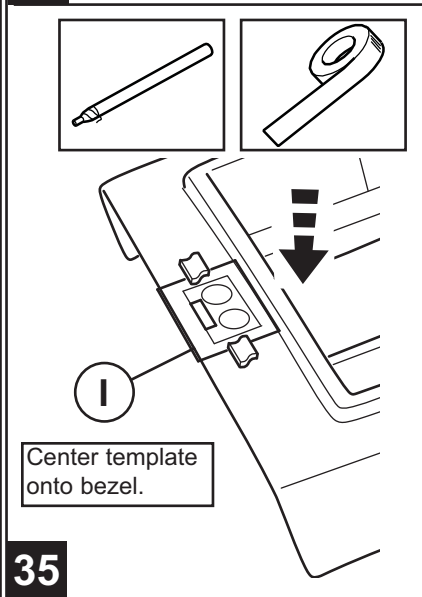
JEEP LIBERTY / DODGE NITRO



33

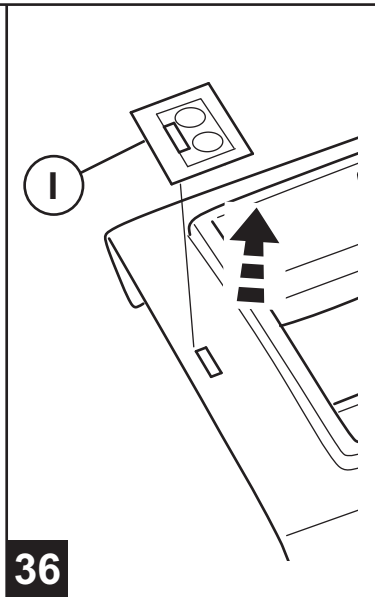


34

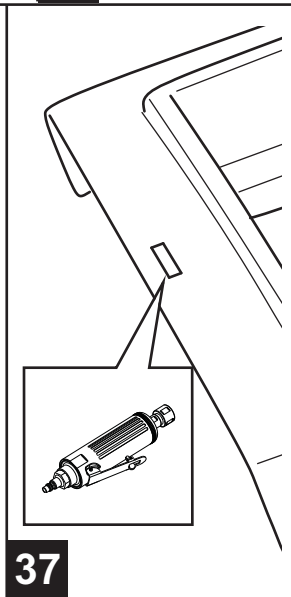


Center template onto bezel.

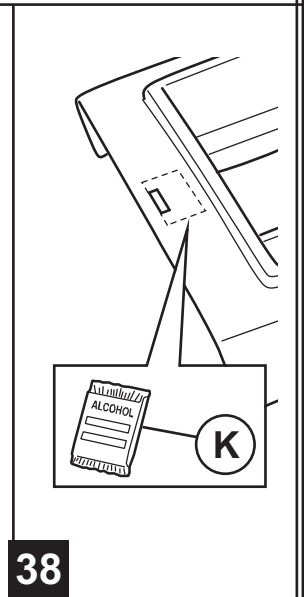
35



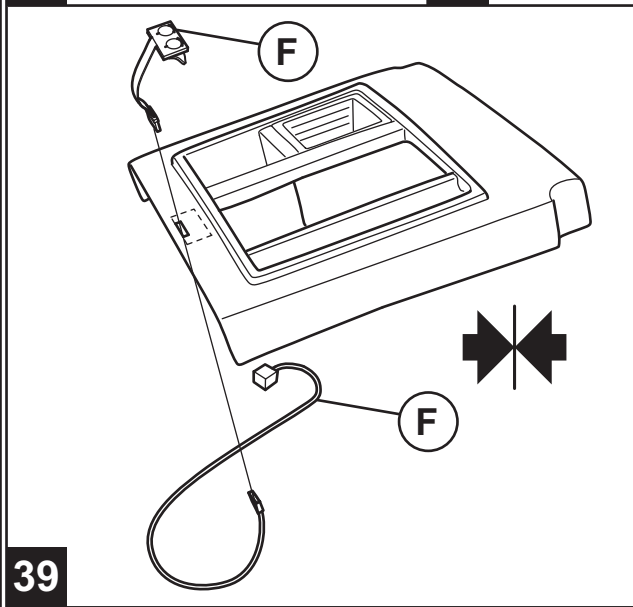
36



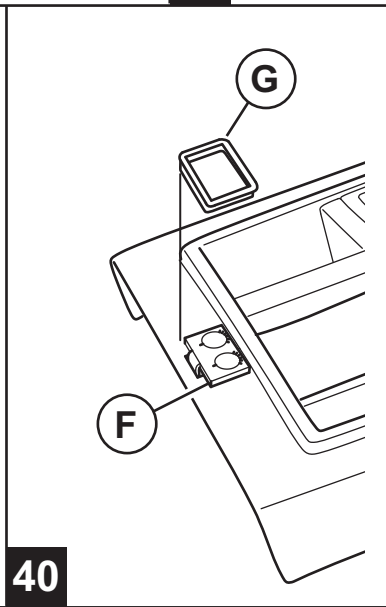
37



38



39



40

NOTE:
REVERSE
STEPS 22, 23,
15 -17 AND 1-9
FOR RE-
INSTALLATION

41

- 4** Couple à 32 pi-livres pour la reinstallation
Esfuerzo de torsión a 32 pie-libras para la reinstalación
Drehkraft zu 32 Ftlbs für Wiedereinbau
Coppia di torsione a 32 ft-libbre per installazione

Couple à 30 pi-livres pour la reinstallation
Esfuerzo de torsión a 30 pie-libras para la reinstalación
Drehkraft zu 30 Ftlbs für Wiedereinbau
Coppia di torsione a 30 ft-libbre per installazione

- 5** Couple à 32 pi-livres pour la reinstallation
Esfuerzo de torsión a 32 pie-libras para la reinstalación
Drehkraft zu 32 Ftlbs für Wiedereinbau
Coppia di torsione a 32 ft-libbre per installazione

- 11** Note : Employez l'article L pour réinstaller
Nota: Utilice el artículo L para reinstalarse
Anmerkung: Benutzen Sie Einzelteil L, um wieder zu installieren
Nota: Usi l'articolo L per installare

- 12,19** Note : L'élément doit être porté sur le siège. L'espacement entre le bord de l'élément et l'arête intérieure de cushion/pad doit être égal au côté opposé.
Nota: El elemento se debe centrar en asiento. El espaciamento entre el borde del elemento y el canto interno de cushion/pad debe ser igual al lado opuesto.
Anmerkung: Element muß auf Sitz zentriert werden. Abstand zwischen Rand des Elements und innerer Kante von cushion/pad muß gegenüberliegender Seite gleich sein.
Nota: L'elemento deve essere concentrato sulla sede. Il gioco fra il bordo dell'elemento e la cresta interna di cushion/pad deve essere uguale al lato opposto.

Enlevez le support adhésif avant l'installation
Quite el forro adhesivo antes de la instalación
Entfernen Sie anhaftenden Schutzträger vor Installation
Rimuova la protezione adesiva prima dell'installazione

- 13-17,20-22** Pliez L'Option Plate De Siège
Doble La Opción Plana Del Asiento
Falten Sie Flache Sitzwahl
Pieghi L'Opzione Piana Della Sede

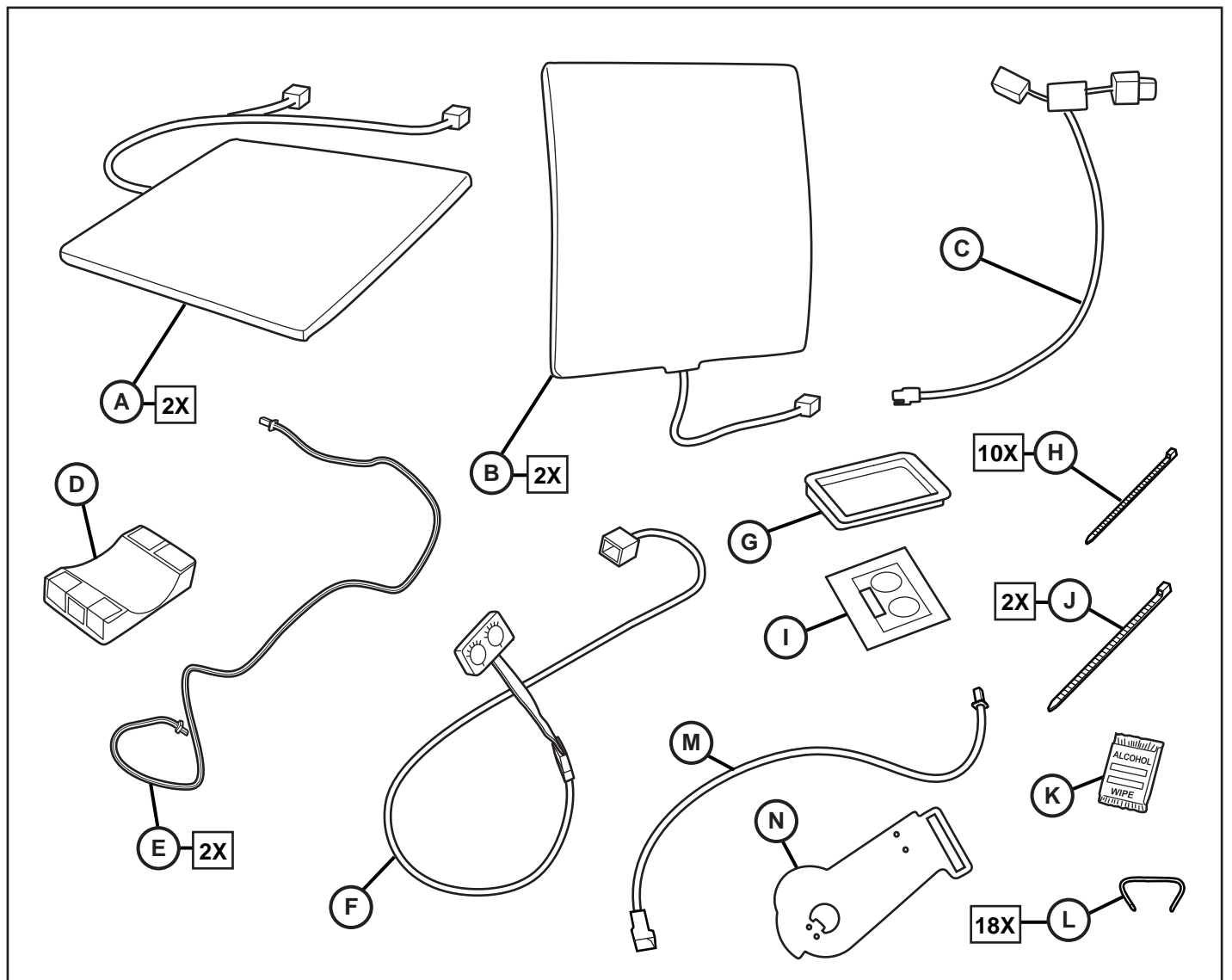
- 23** Note : Employez l'article J pour attacher la courroie comme nécessaire
Nota: Utilice el artículo J para atar la correa según lo necesitado
Anmerkung: Benutzen Sie Einzelteil J, um Bügel zu binden, wie gebraucht
Nota: Usi l'articolo J per legare la cinghia come stata necessaria
- 24** Répétez les étapes 2-23 pour le côté opposé
Repita los pasos 2-23 para el lado opuesto
Wiederholen Sie Schritte 2-23 für gegenüberliegende Seite
Ripeti i punti 2-23 per il lato opposto
- 31** Note : répétition pour le côté opposé
Nota: repetición para el lado opuesto
Anmerkung: Wiederholung auf gegenüberliegender Seite
Nota: Ripetizione dal lato opposto
- 34** Conducteur
Conductor
Treiber
Driver

Passager
Pasajero
Passagier
Passeggero
- 35** Calibre central sur la monture
Plantilla de centro sobre bisel
Mittelschablone auf Anzeigetafel
ascherina concentra sull'incastonatura
- 41** Note : Étapes renversées 22, 23, 15-17 et 1-9 pour la réinstallation
Nota: Pasos reversos 22, 23, 15-17 y 1-9 para la reinstalación
Anmerkung: Rückschritte 22, 23, 15-17 und 1-9 für Wiedereinbau
Nota: Punti d'inversione 22, 23, 15-17 e 1-9 per reinstallazione



DODGE CALIBER - DODGE JOURNEY JEEP COMPASS - JEEP PATRIOT

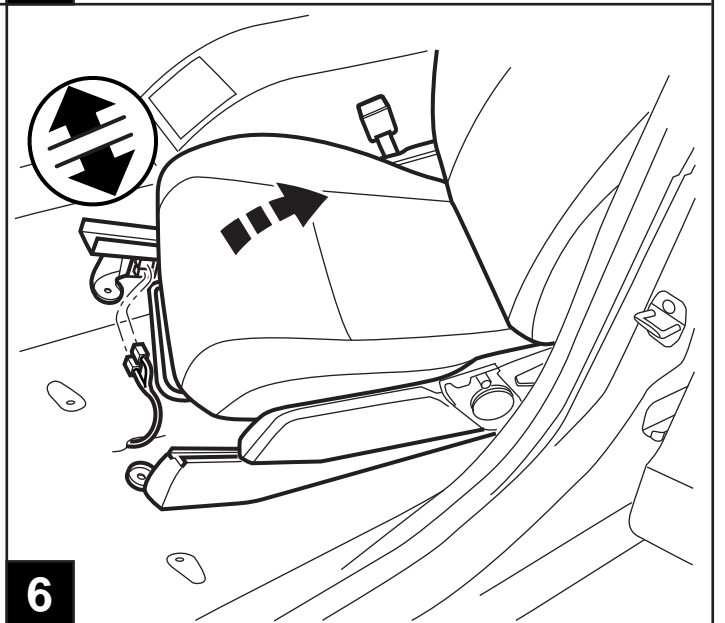
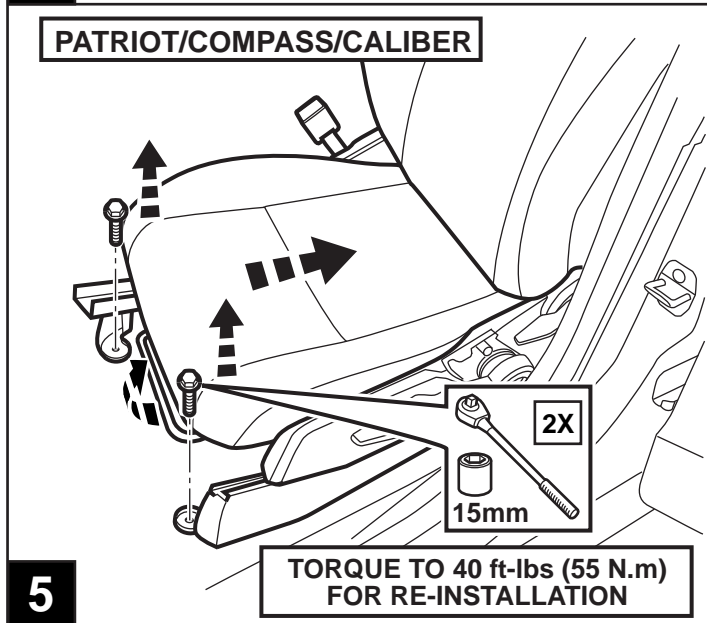
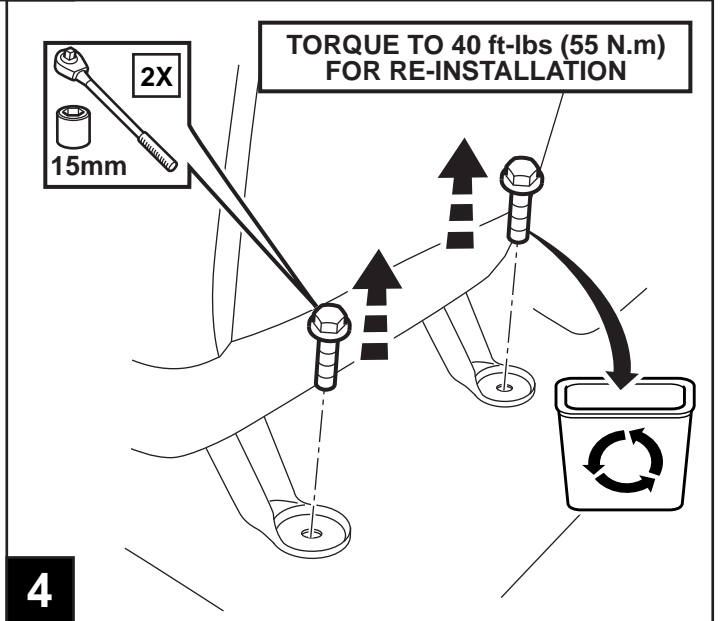
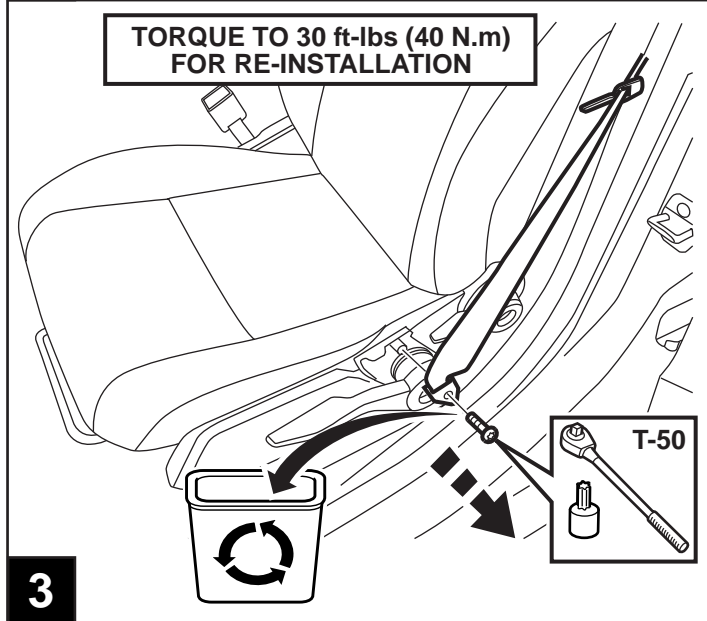
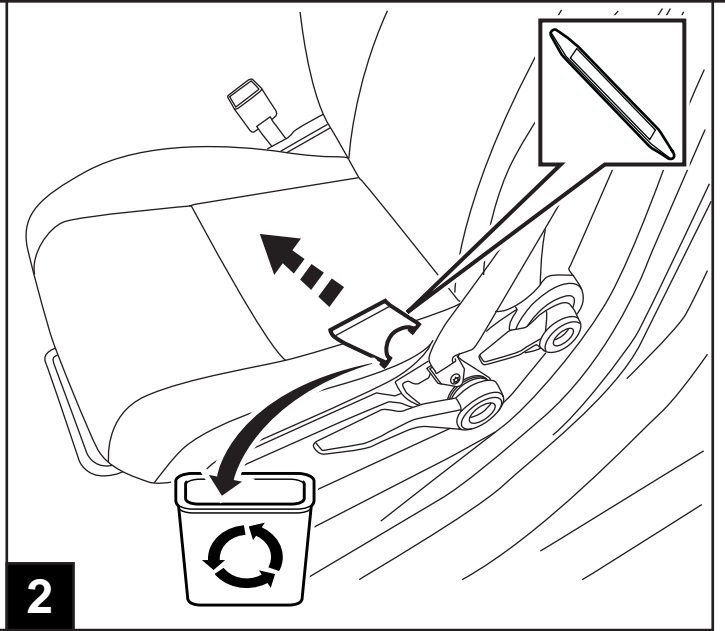
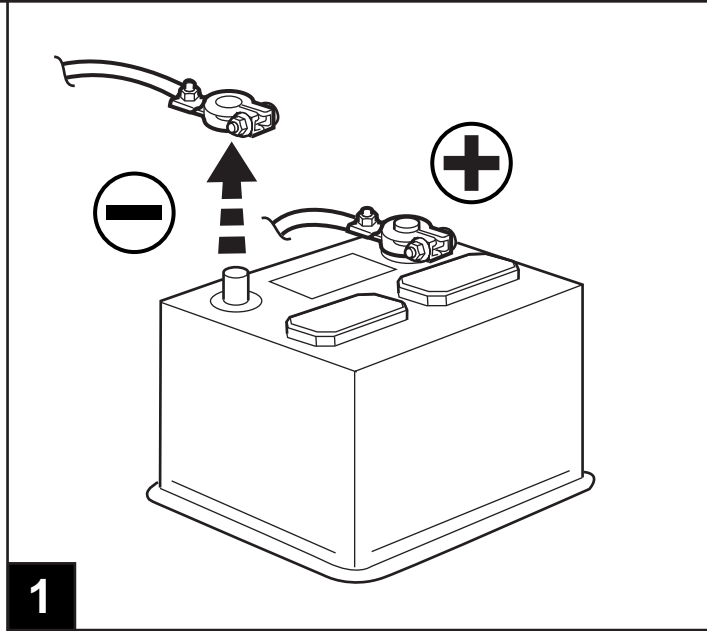
Front Heated Seats (C)



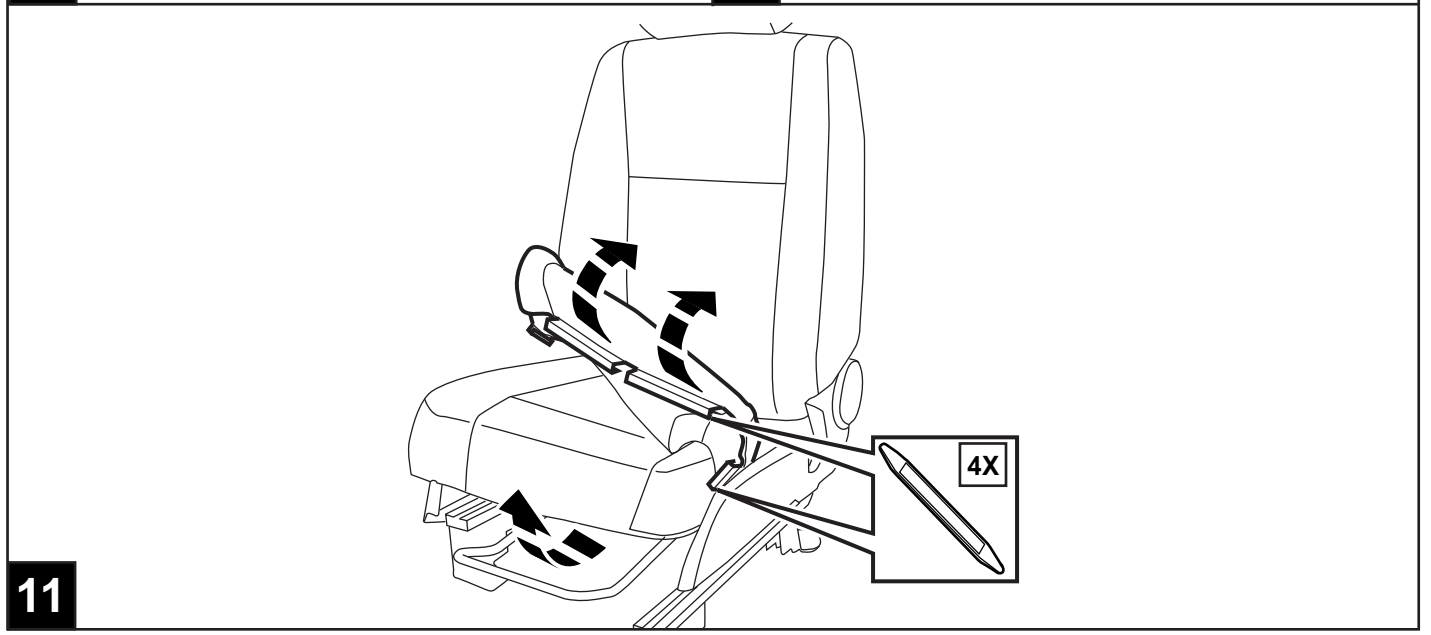
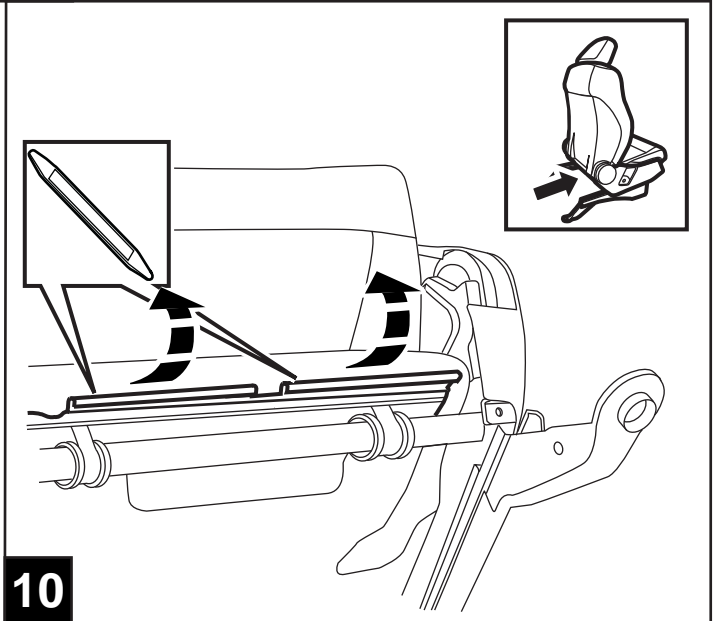
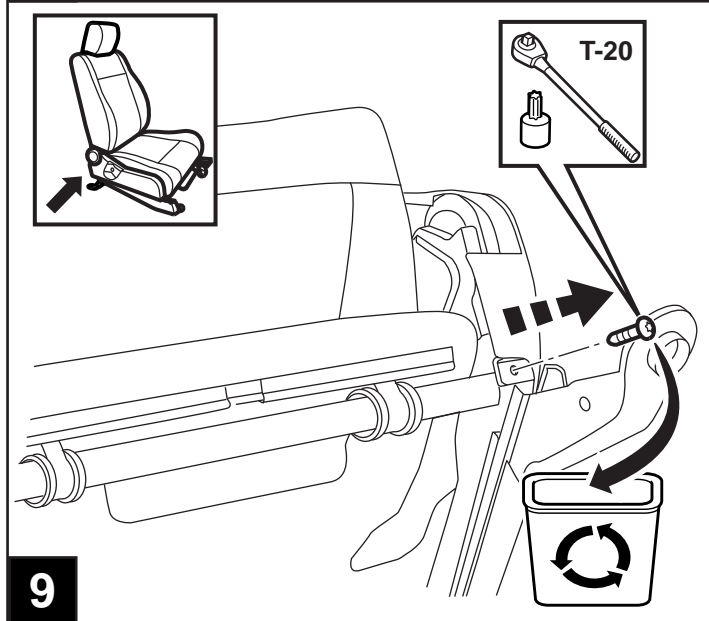
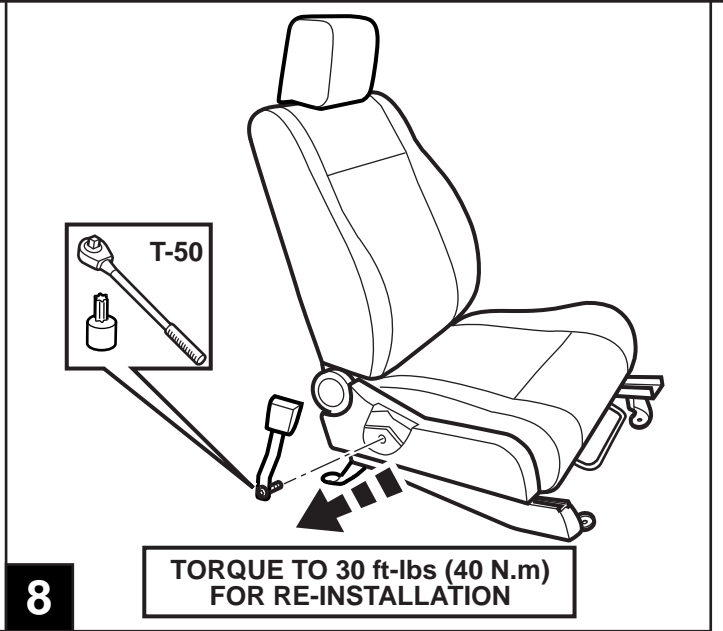
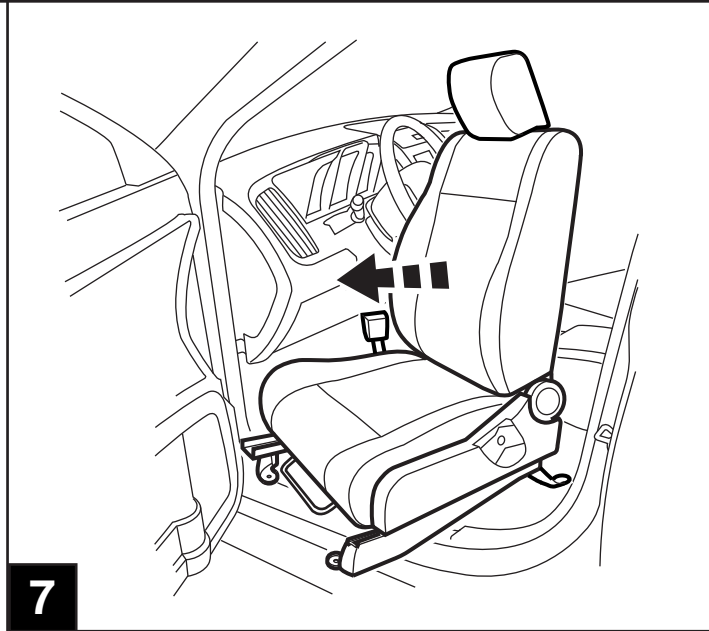
CALIBER / COMPASS / PATRIOT	PG 2-11
JOURNEY	PG 12-22

					 7mm 10mm 15mm 18mm		 METAL
		1/8"					

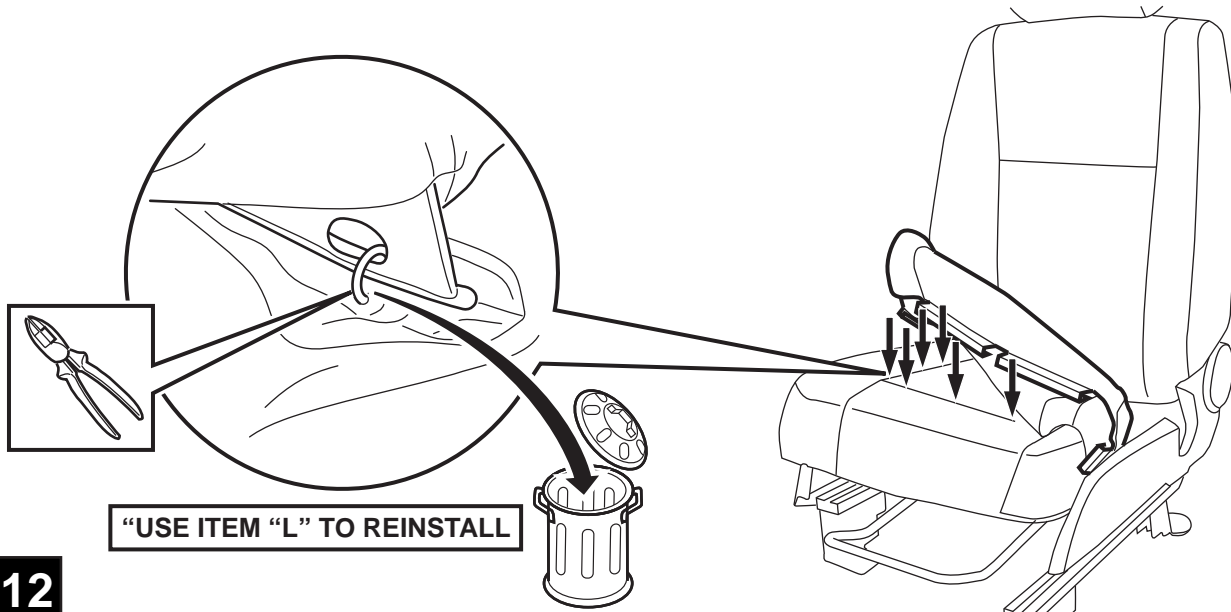
CALIBER / COMPASS / PATRIOT



CALIBER / COMPASS / PATRIOT

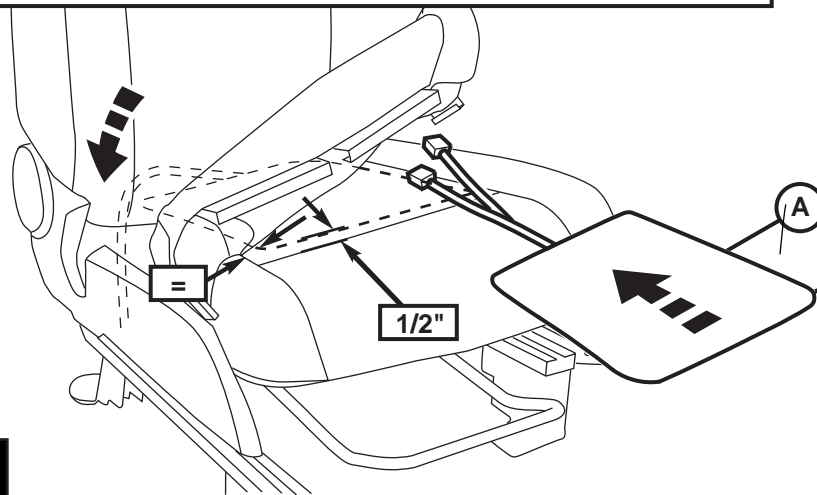


CALIBER / COMPASS / PATRIOT



12

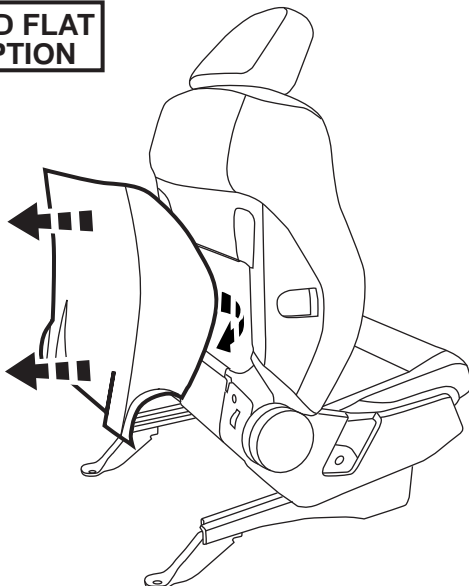
NOTE: ELEMENT MUST BE CENTERED ON SEAT. SPACING BETWEEN EDGE OF ELEMENT AND INNER RIDGE OF CUSHION/PAD MUST BE EQUAL TO OPPOSITE SIDE.



13

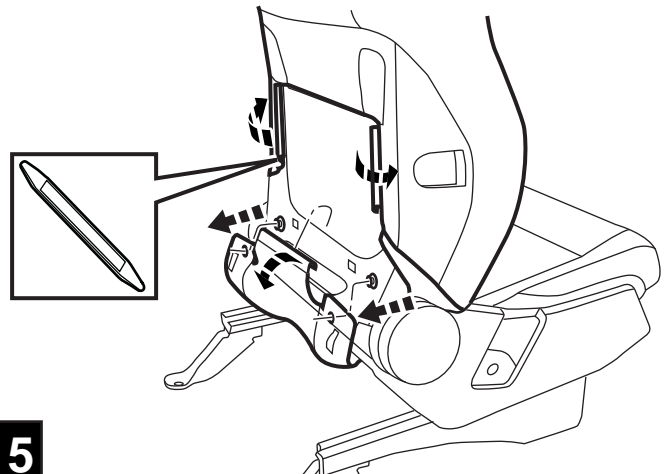


NON FOLD FLAT SEAT OPTION



14

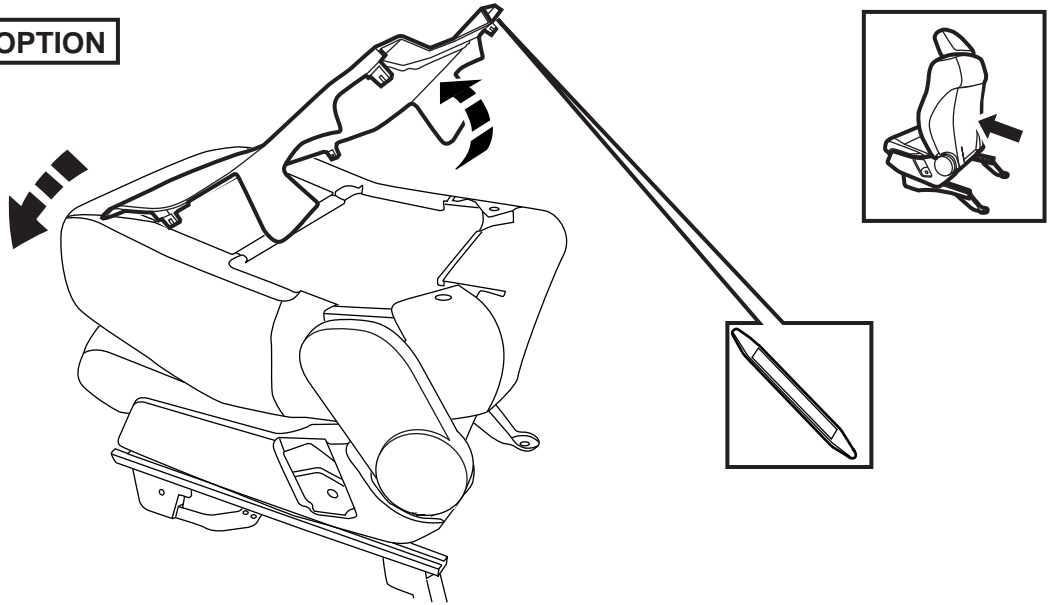
NON FOLD FLAT SEAT OPTION



15

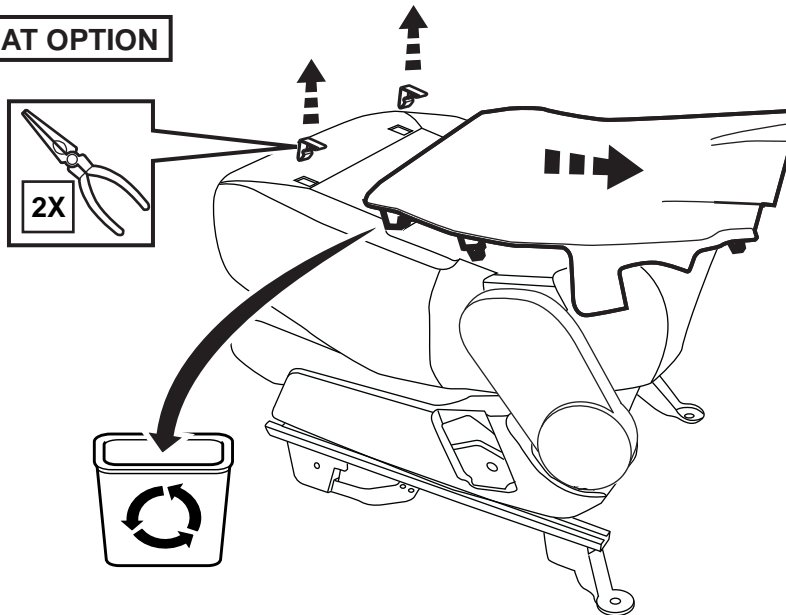
CALIBER / COMPASS / PATRIOT

FOLD FLAT SEAT OPTION



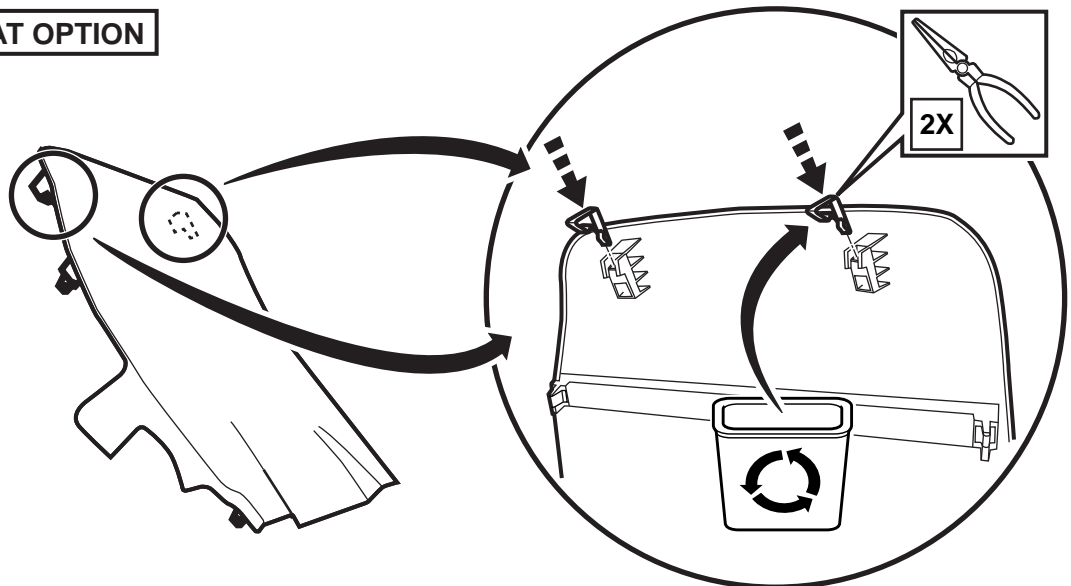
16

FOLD FLAT SEAT OPTION



17

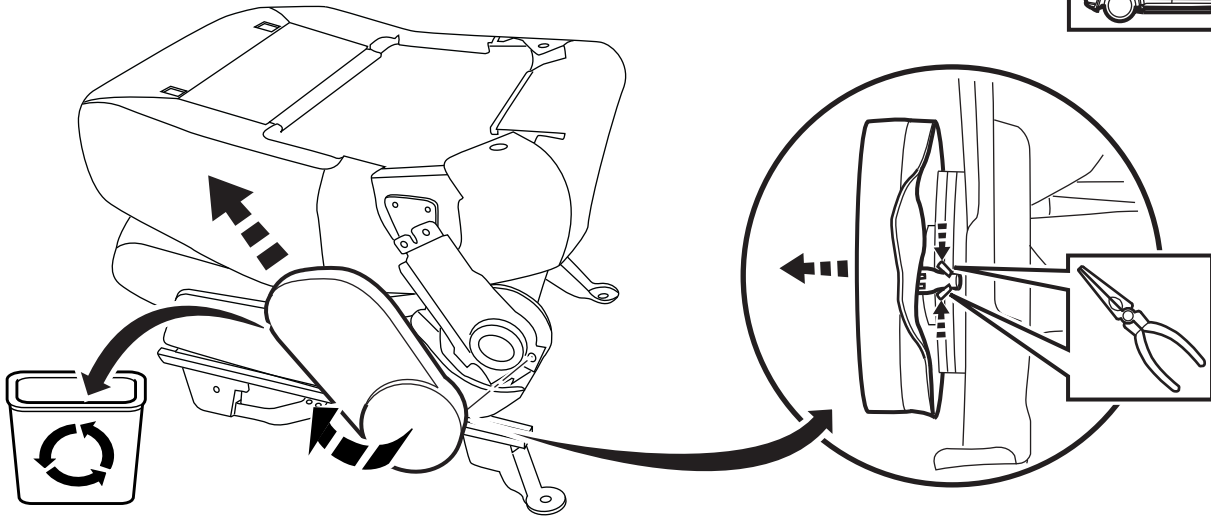
FOLD FLAT SEAT OPTION



18

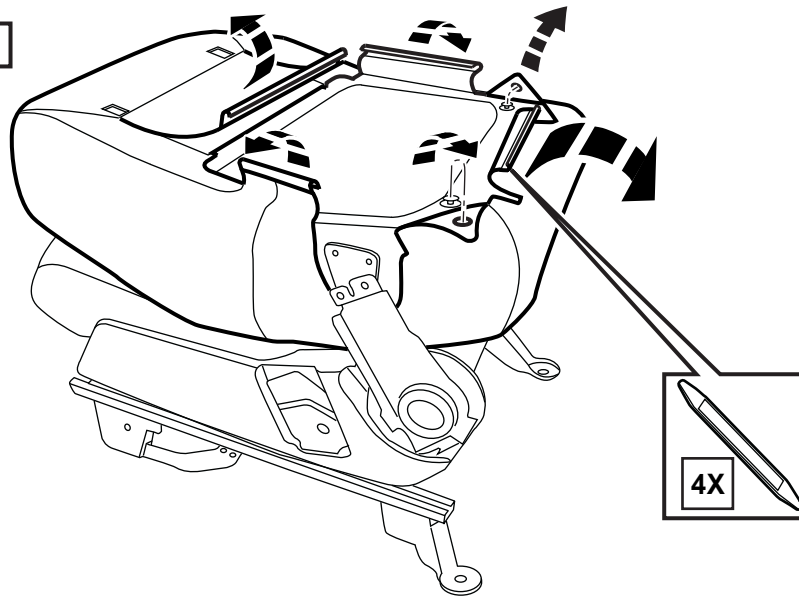
CALIBER / COMPASS / PATRIOT

FOLD FLAT SEAT OPTION

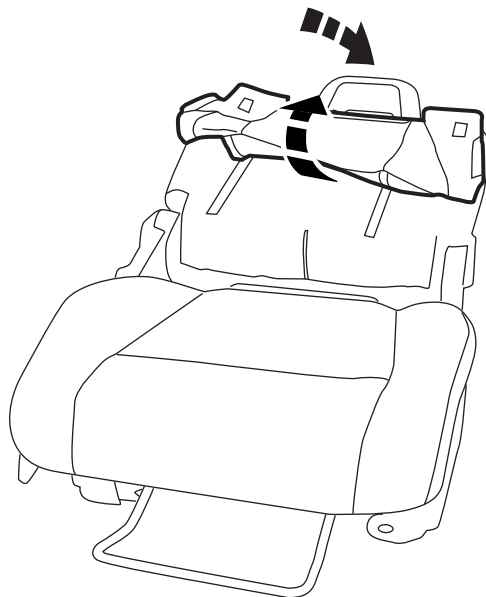


19

FOLD FLAT SEAT OPTION



20



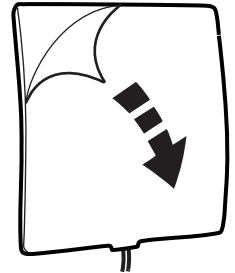
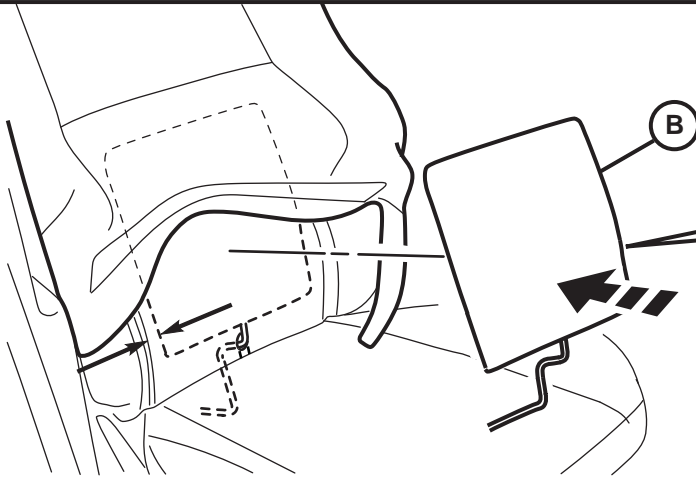
21

CALIBER / COMPASS / PATRIOT

NOTE: ELEMENT MUST BE CENTERED ON SEAT. SPACING BETWEEN EDGE OF ELEMENT AND INNER RIDGE OF CUSHION/PAD MUST BE EQUAL TO OPPOSITE SIDE.



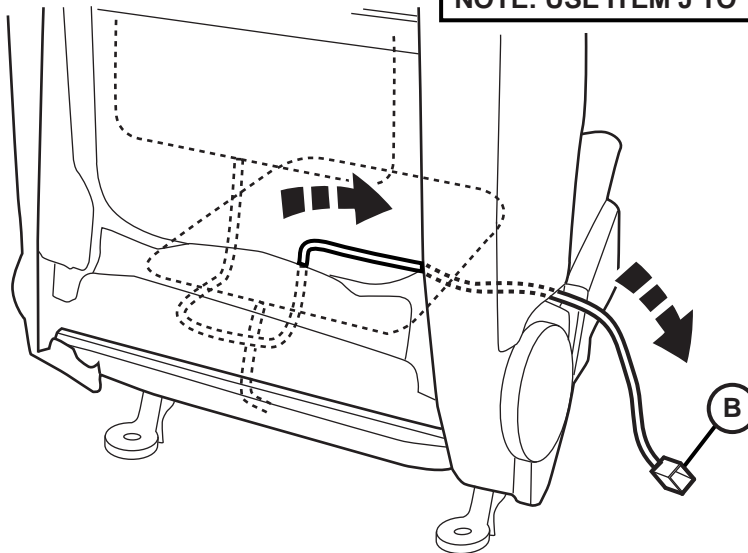
REMOVE ADHESIVE BACKING PRIOR TO INSTALLATION



22

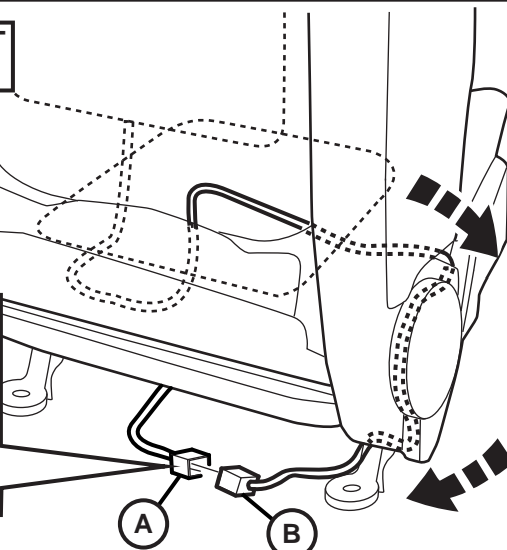
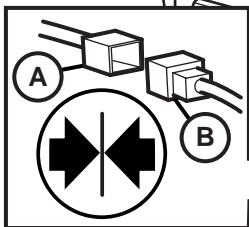
NON FOLD FLAT SEAT OPTION

NOTE: USE ITEM J TO TIE STRAP AS NEEDED.



23

NON FOLD FLAT SEAT OPTION



REPEAT STEPS
2 - 24
FOR OPPOSITE SIDE

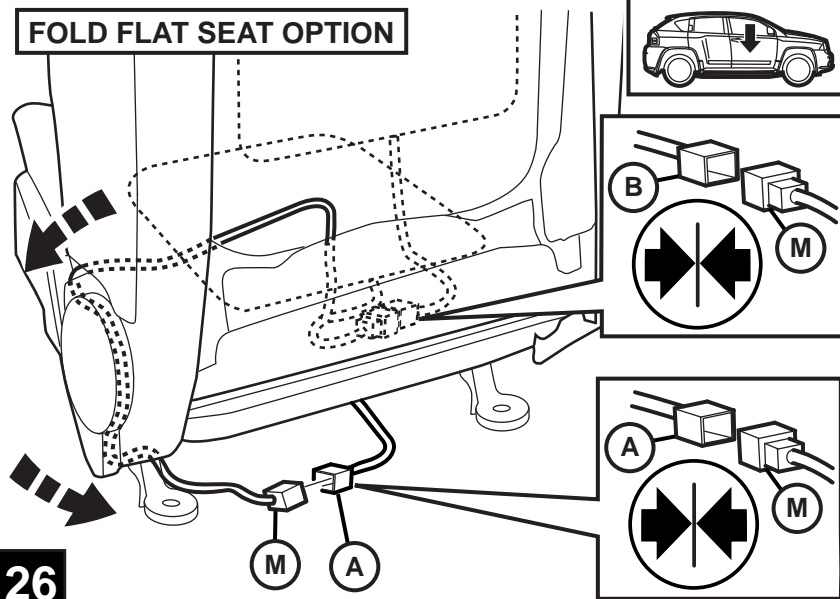
24

NOTE: USE ITEM J TO TIE STRAP AS NEEDED.

25

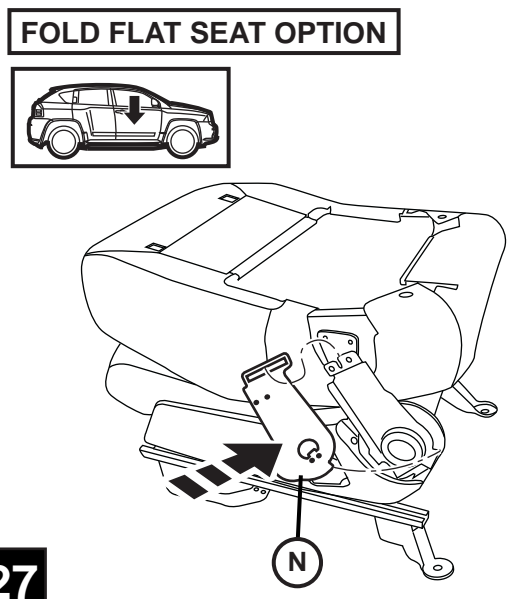
CALIBER / COMPASS / PATRIOT

FOLD FLAT SEAT OPTION



26

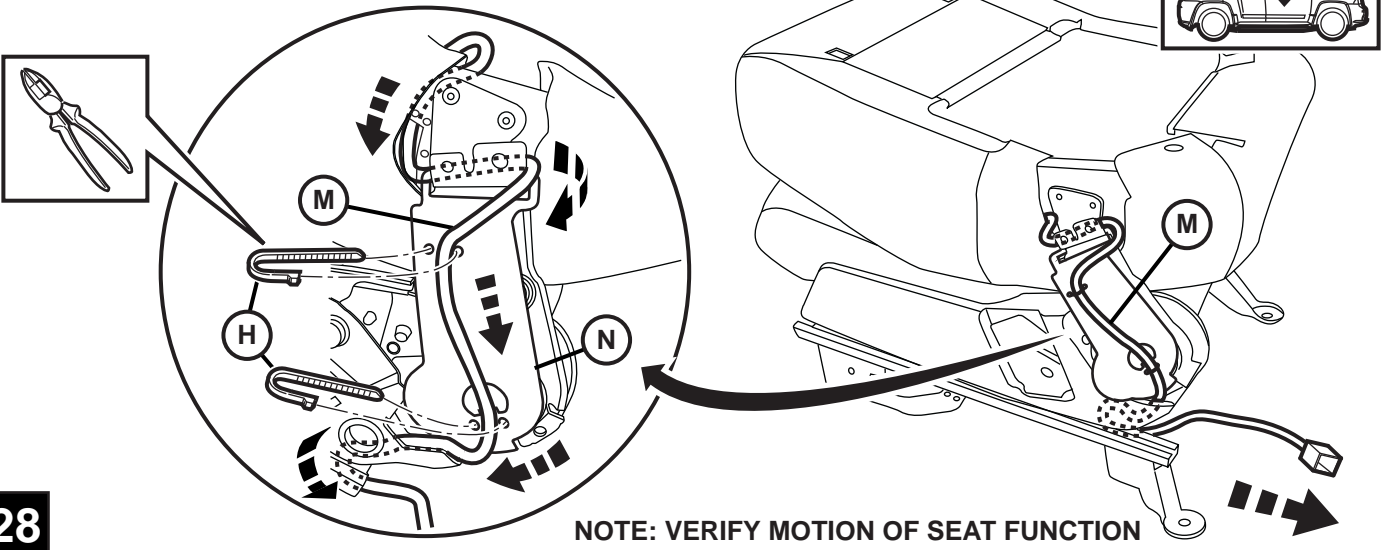
FOLD FLAT SEAT OPTION



27

FOLD FLAT SEAT OPTION

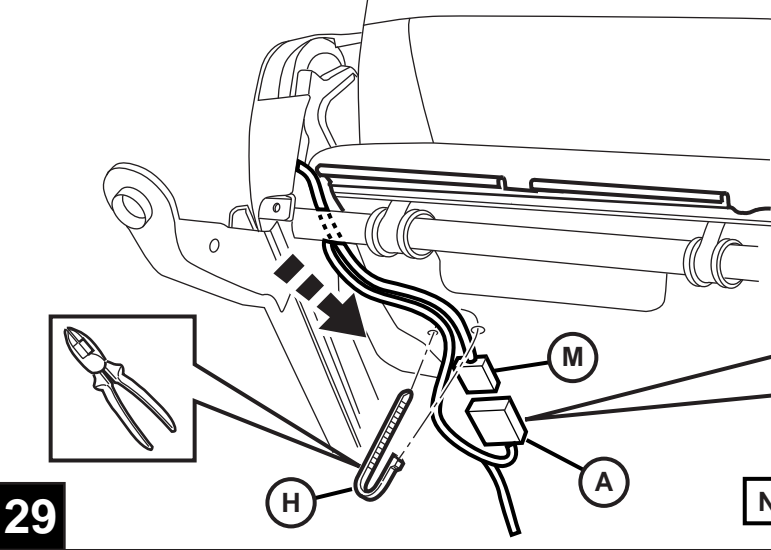
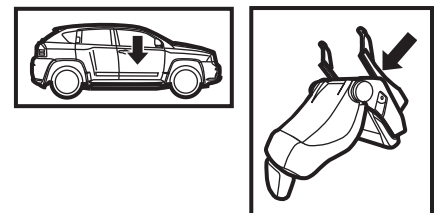
NOTE: USE ITEM H TO TIE STRAP AS NEEDED.



28

NOTE: VERIFY MOTION OF SEAT FUNCTION

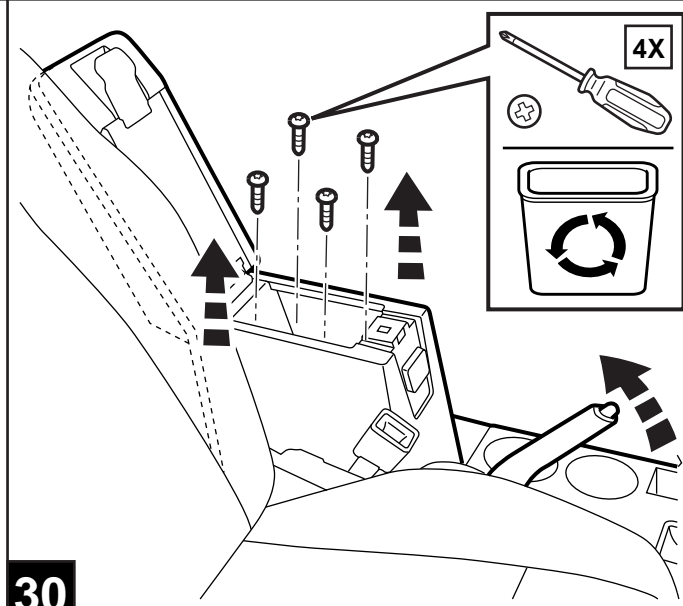
FOLD FLAT SEAT OPTION



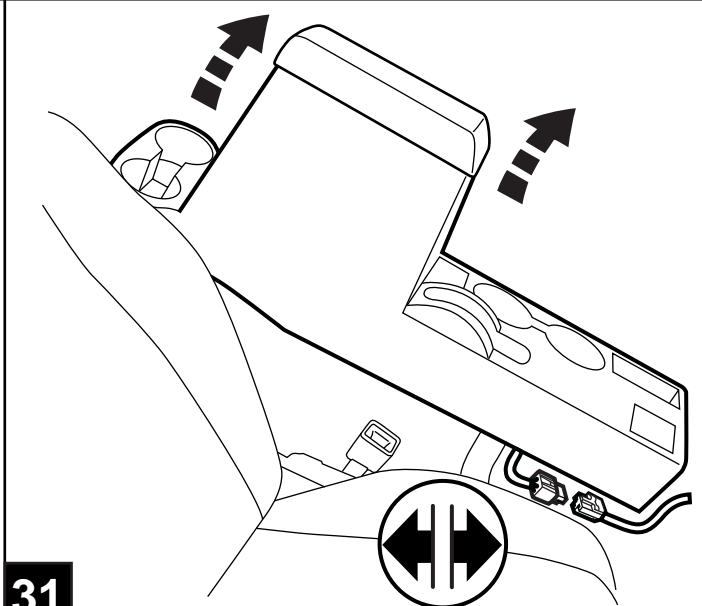
29

NOTE: USE ITEM H TO TIE STRAP AS NEEDED.

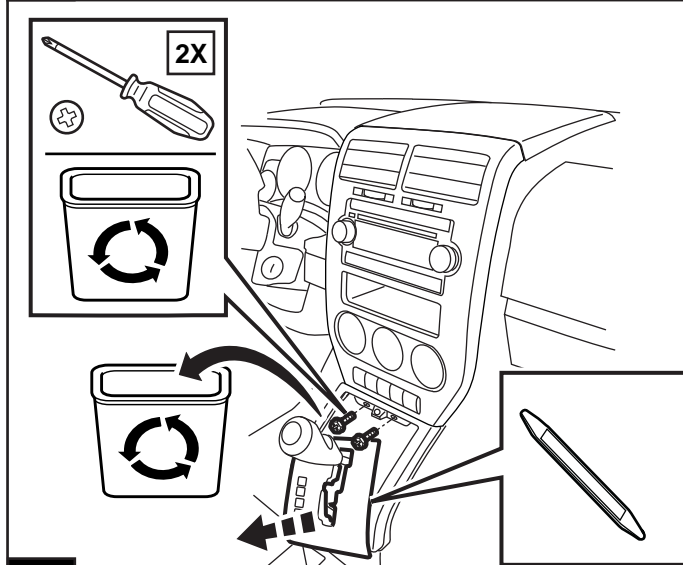
CALIBER / COMPASS / PATRIOT



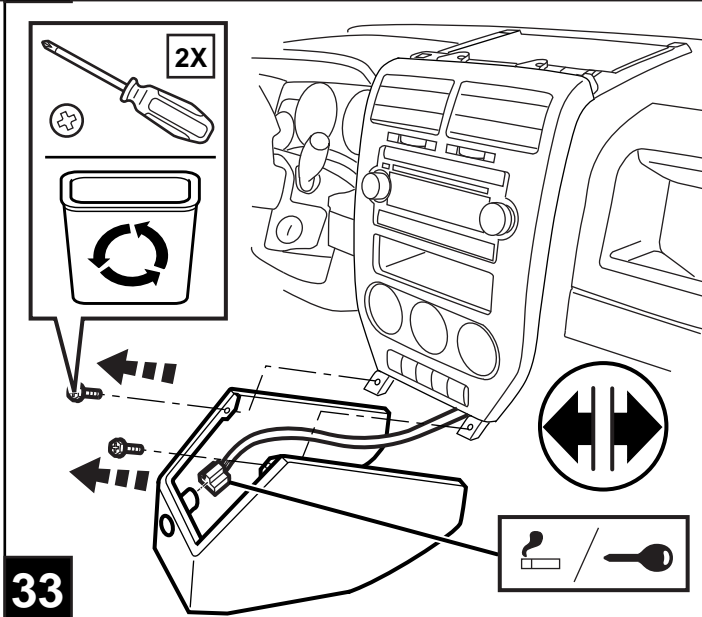
30



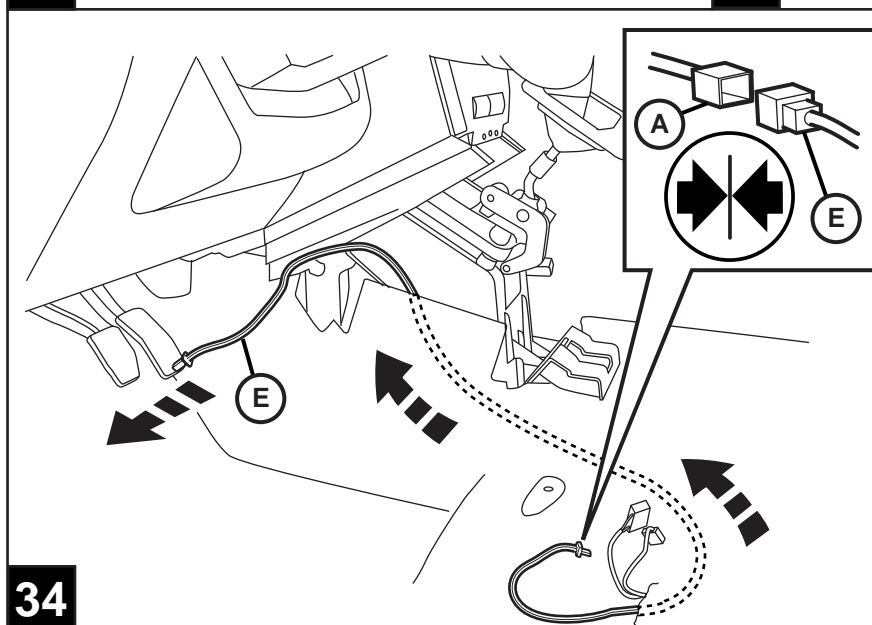
31



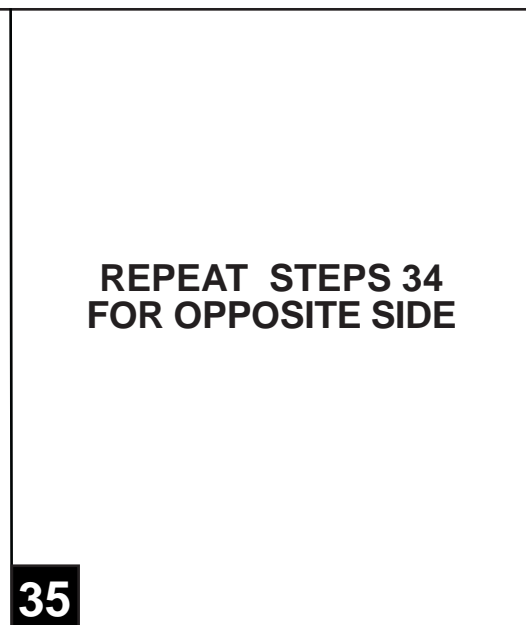
32



33

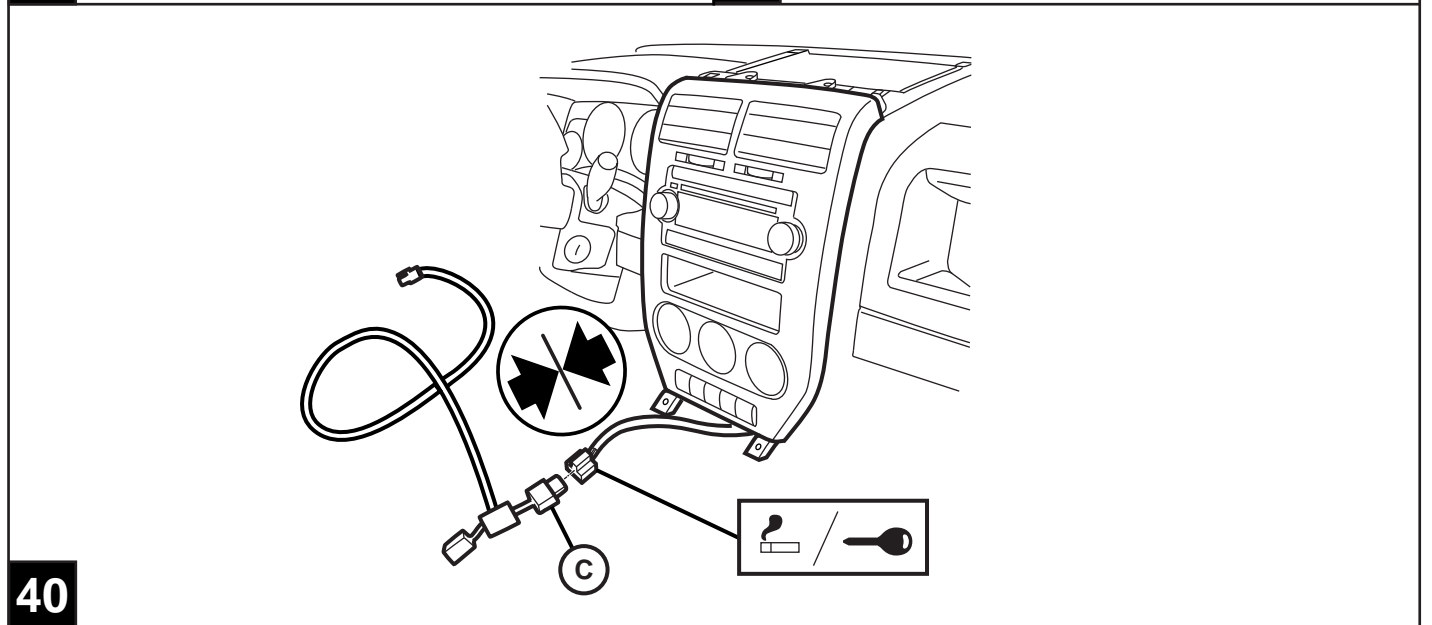
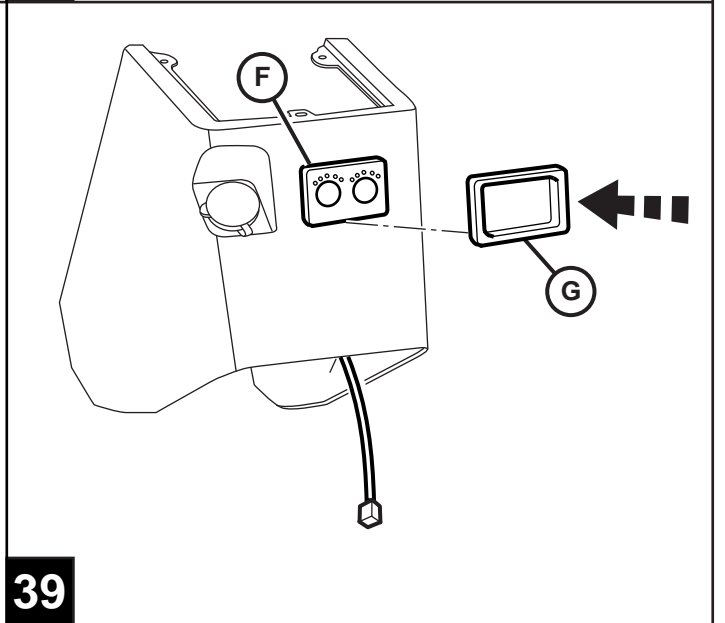
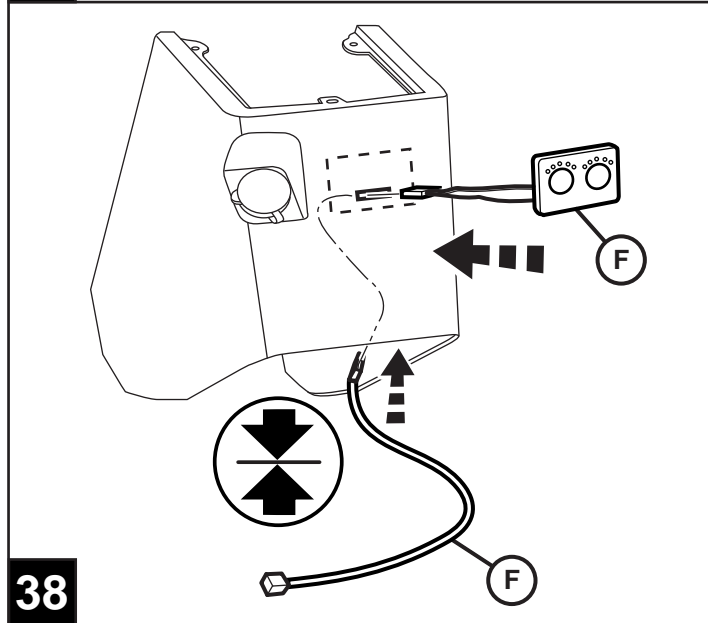
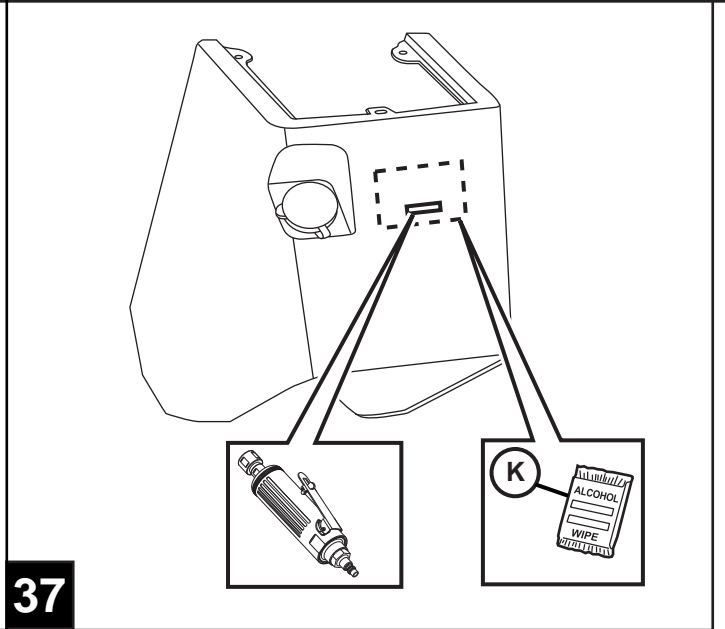
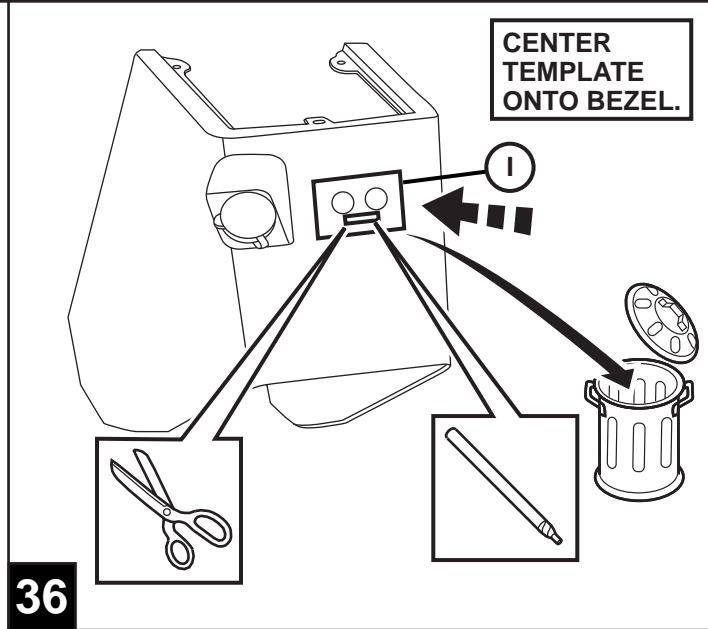


34



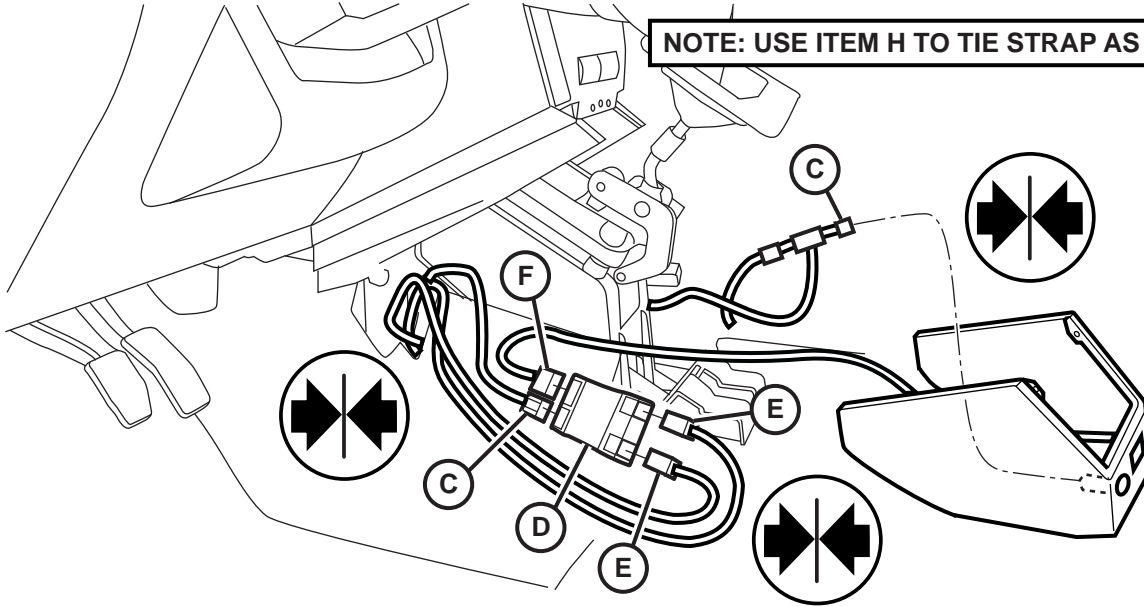
35

CALIBER / COMPASS / PATRIOT



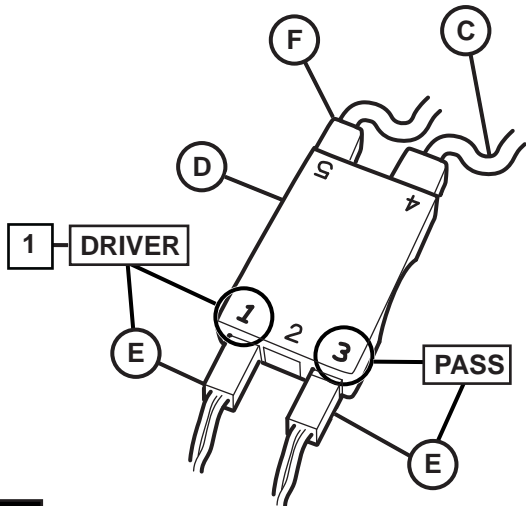
CALIBER / COMPASS / PATRIOT

NOTE: USE ITEM H TO TIE STRAP AS NEEDED.

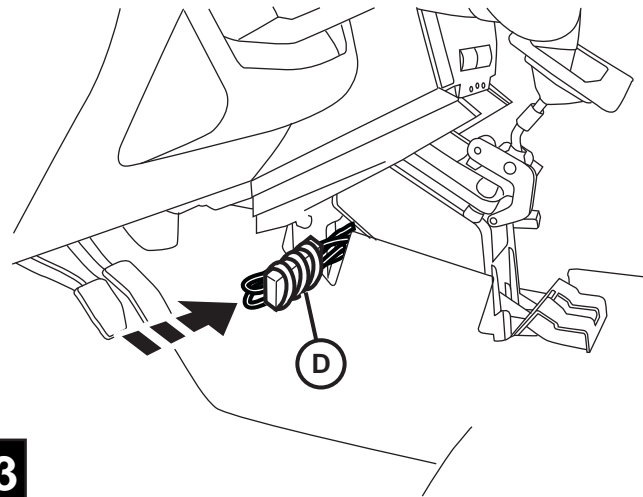


41

NOTE: USE ITEM H TO TIE STRAP AS NEEDED.



42



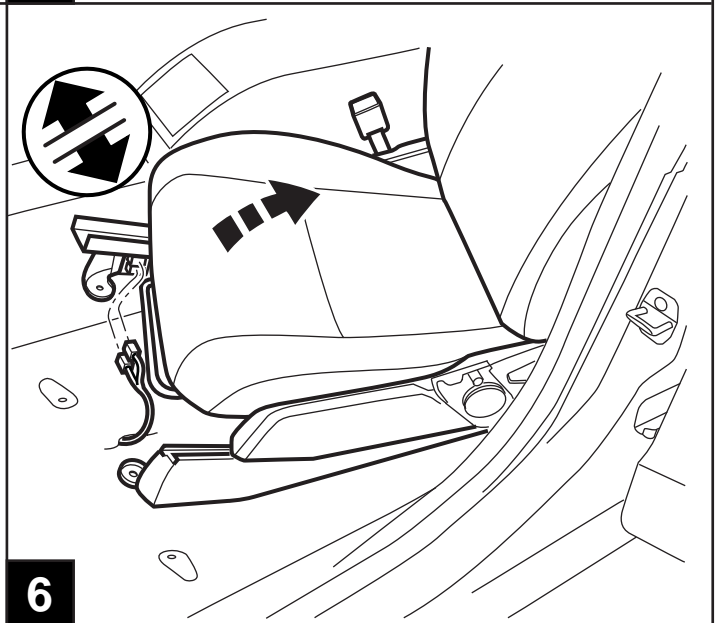
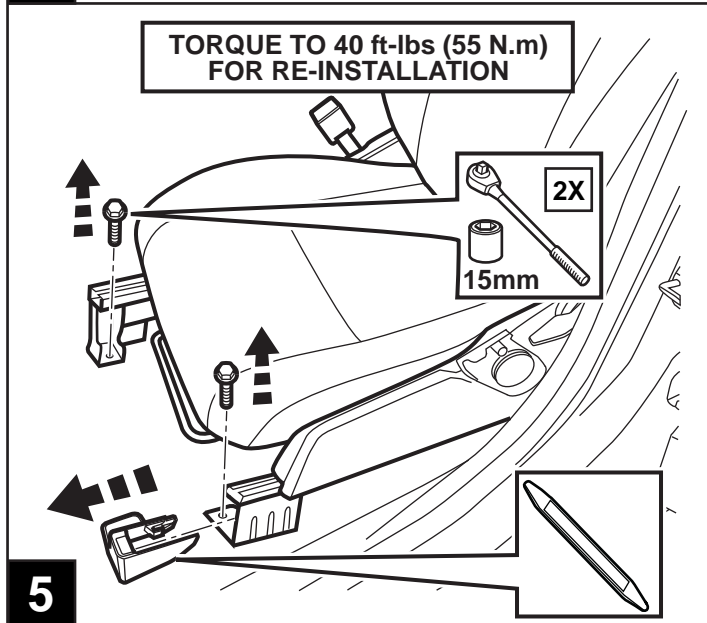
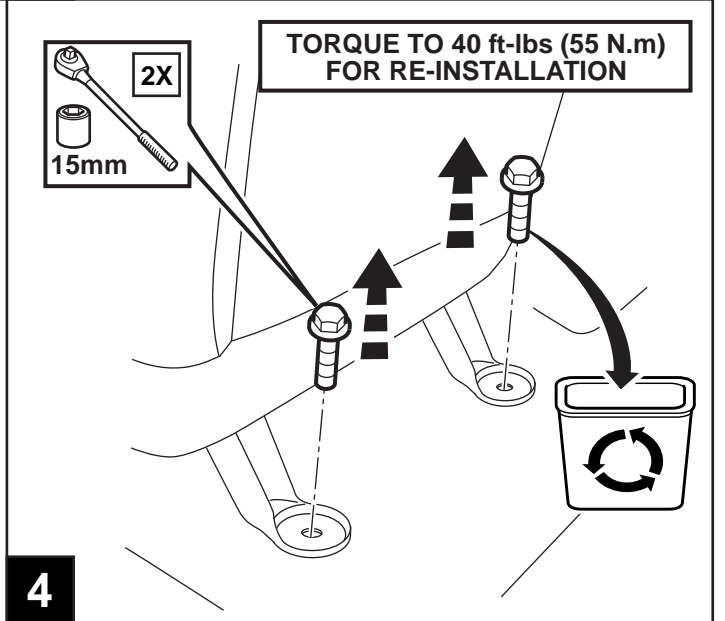
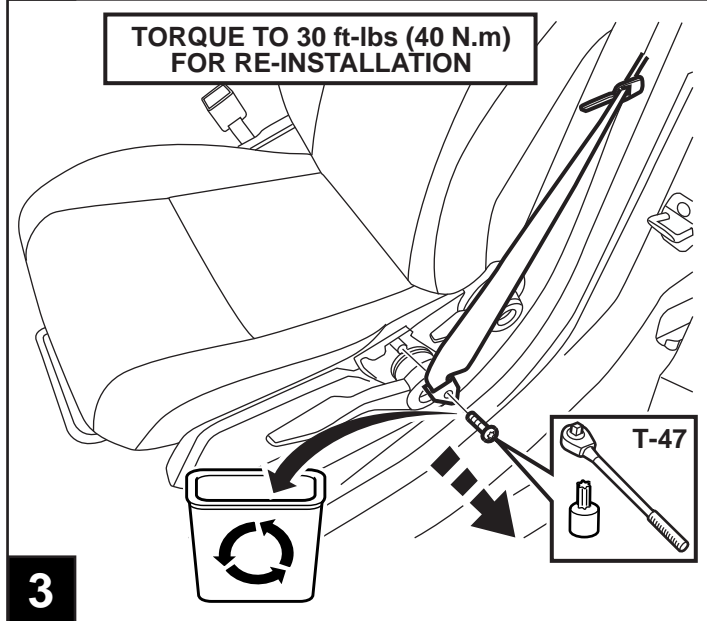
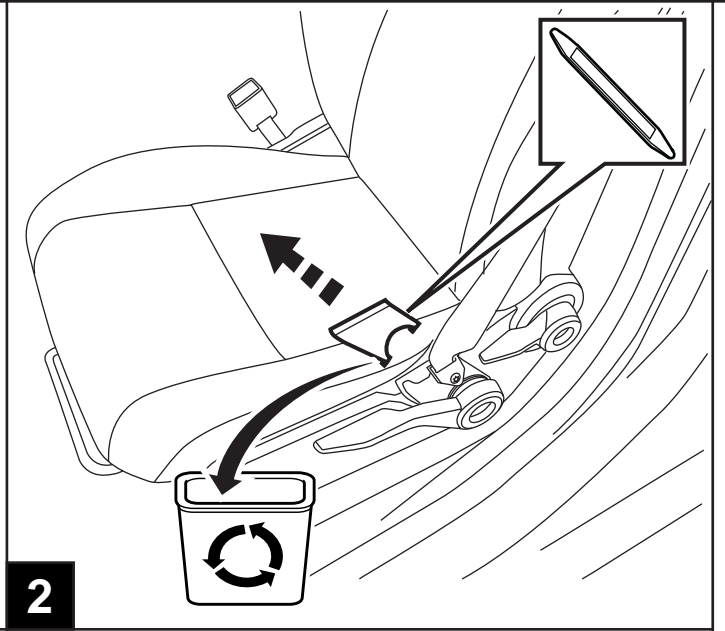
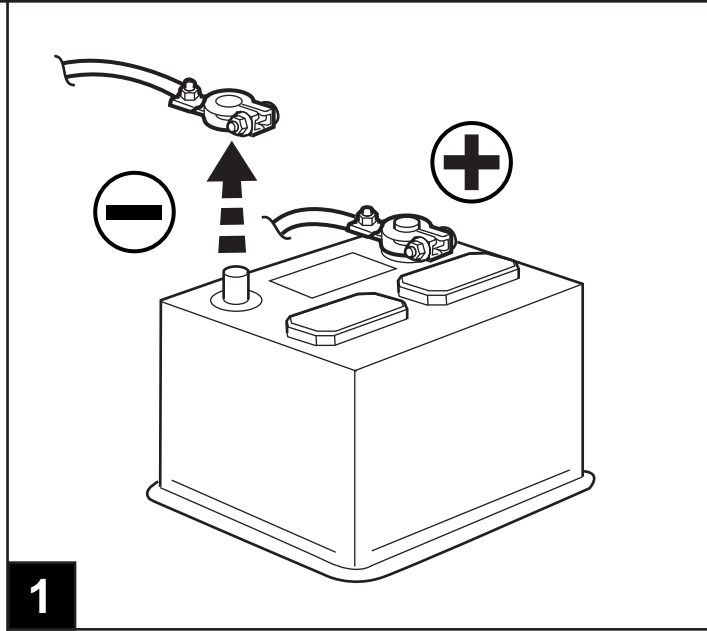
43

NOTE: REVERSE REMOVAL
STEPS 1-12, 14-21, 30-33
FOR RE-INSTALLATION

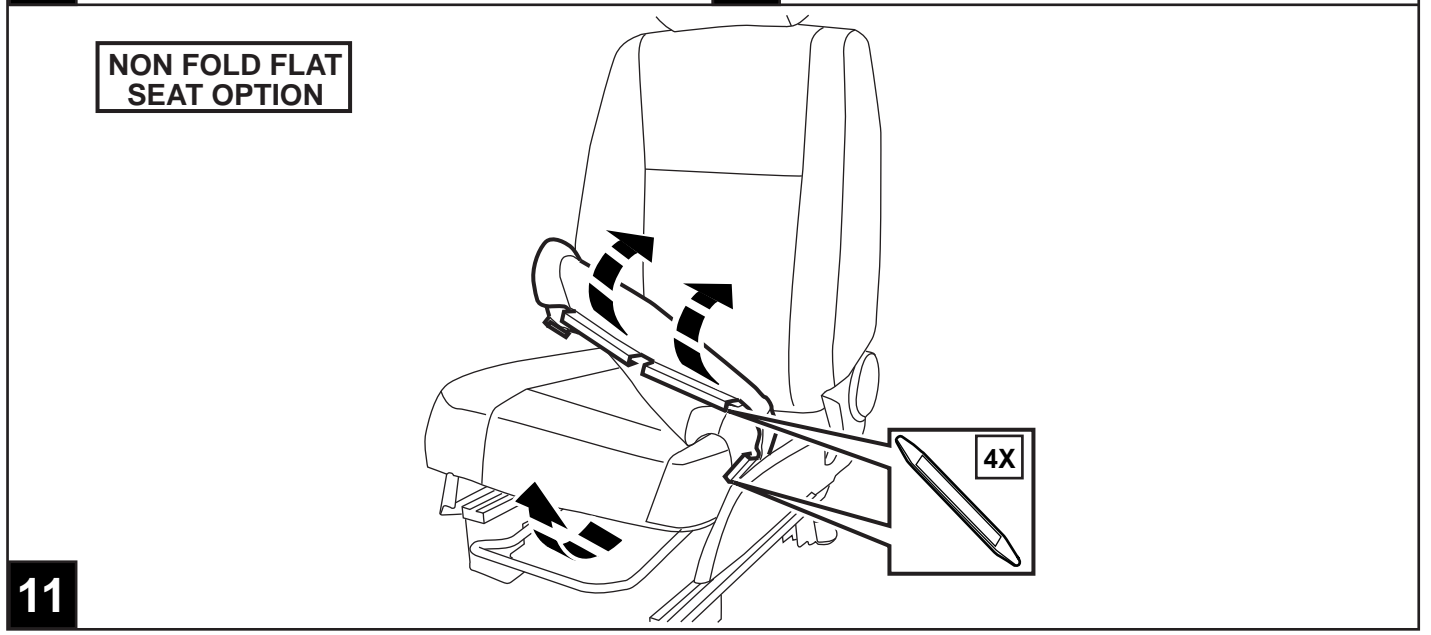
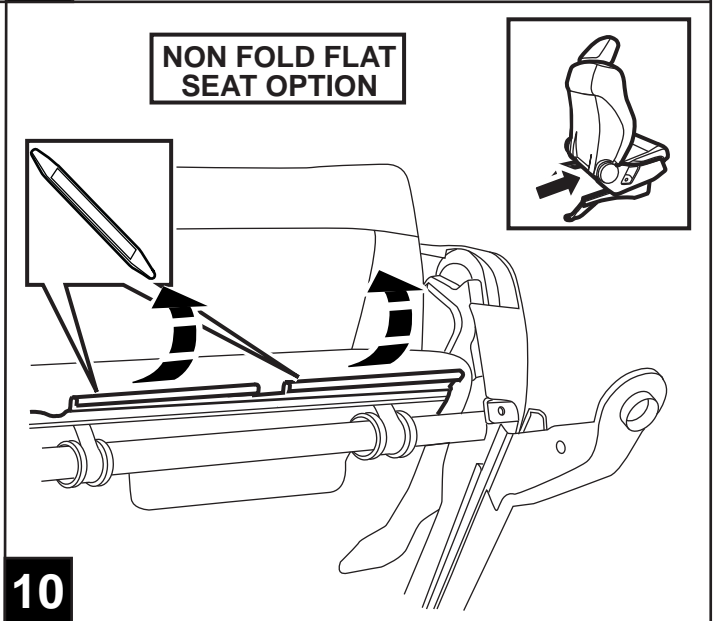
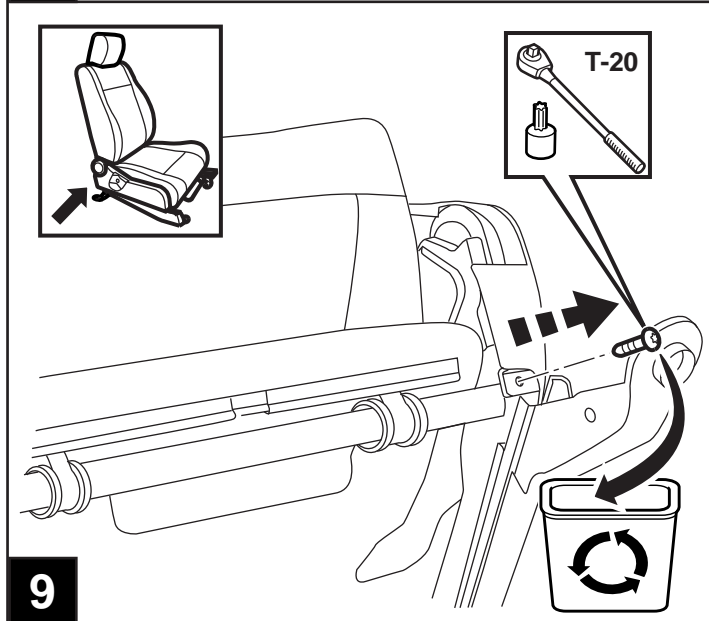
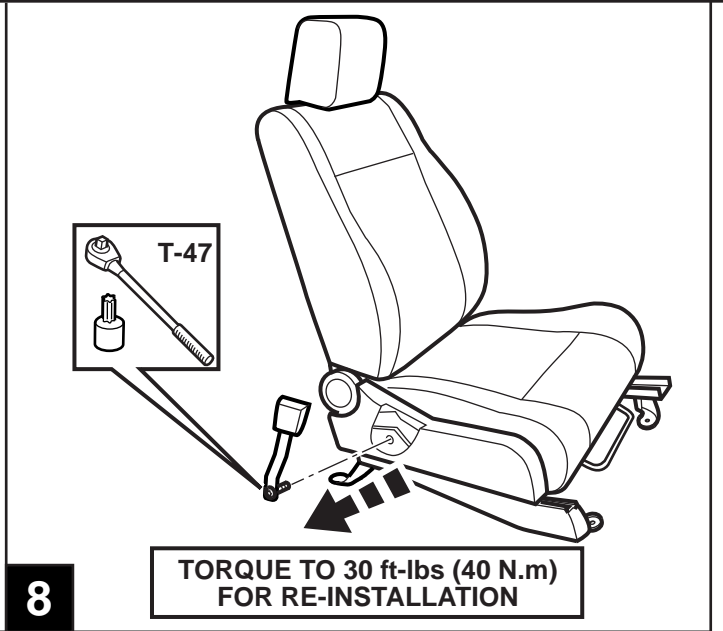
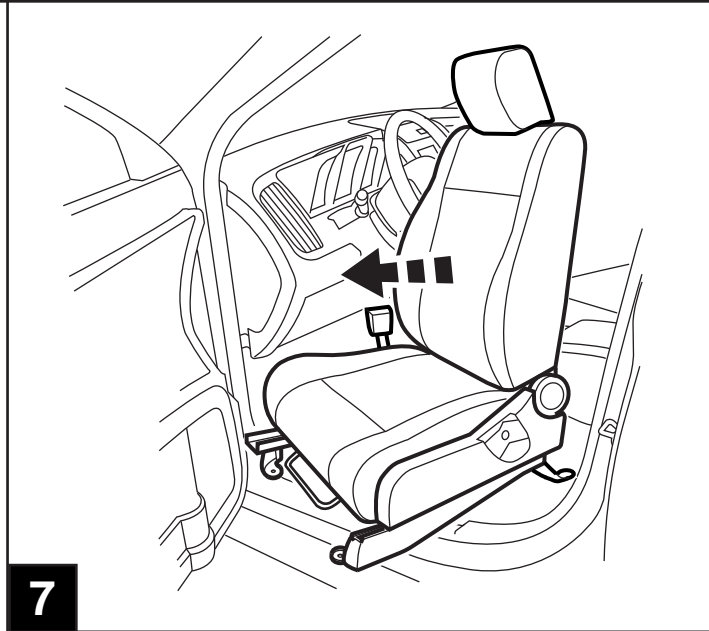
44

 **PG 23**

JOURNEY

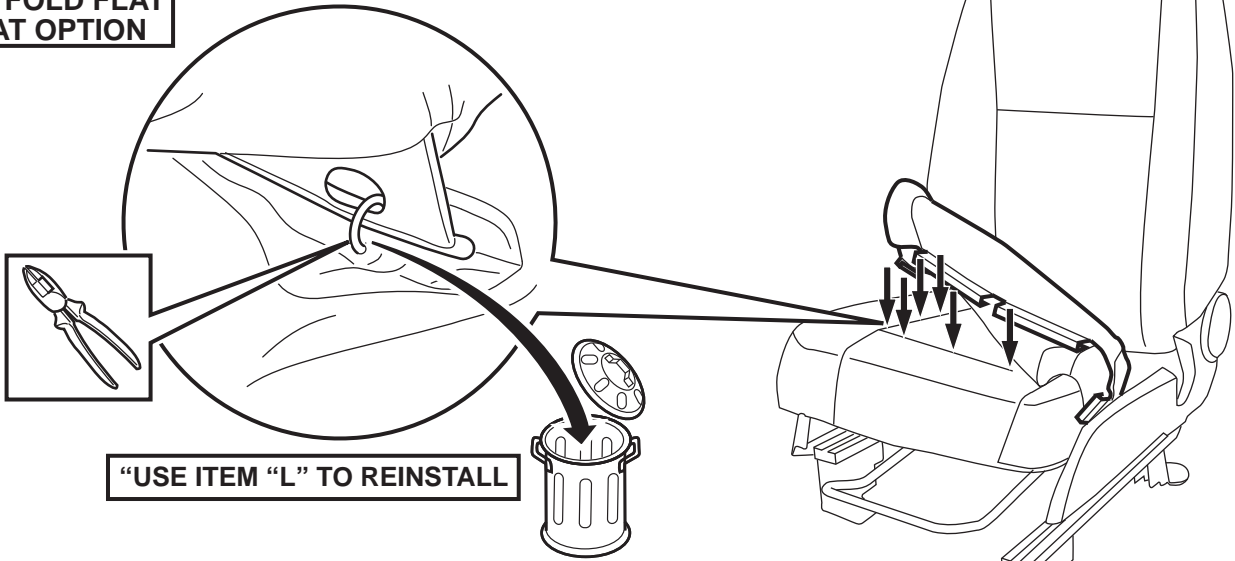


JOURNEY

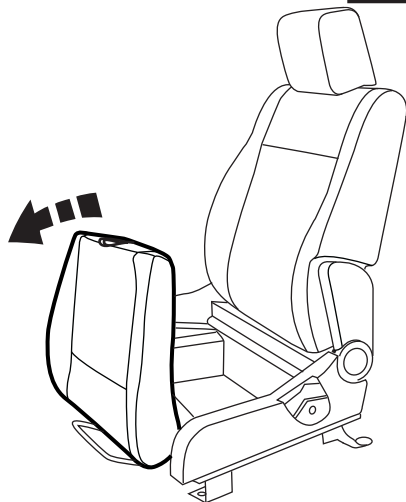
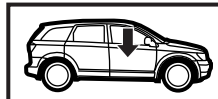


JOURNEY

NON FOLD FLAT SEAT OPTION

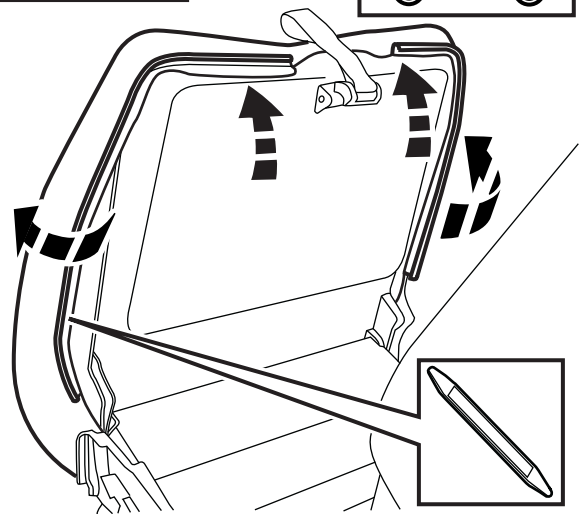
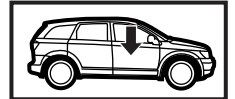


FOLD FLAT OPTION WITH STORAGE



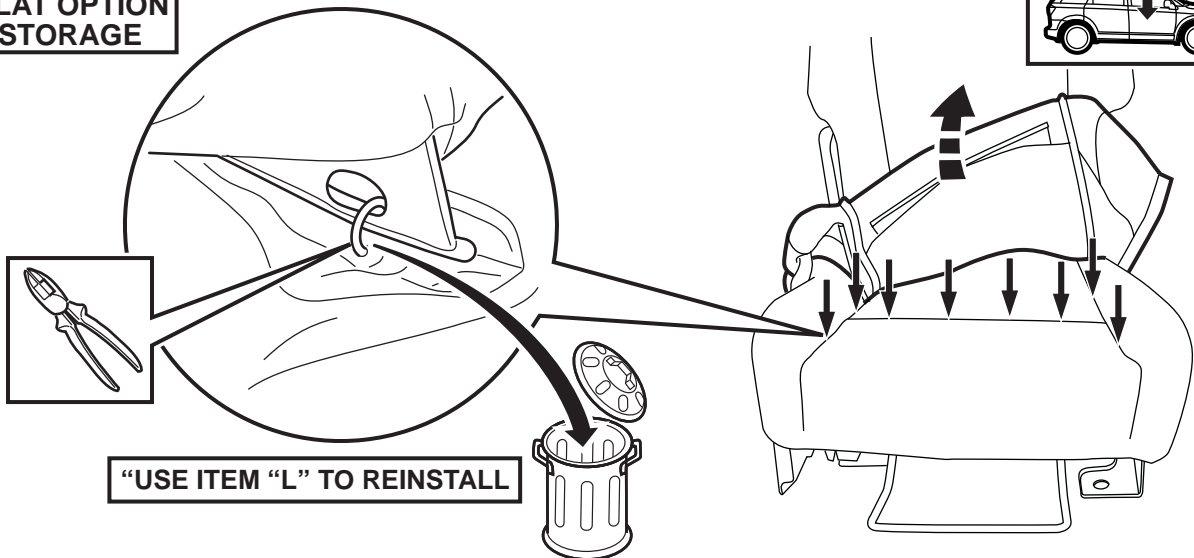
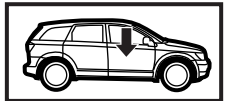
13

FOLD FLAT OPTION WITH STORAGE



14

FOLD FLAT OPTION WITH STORAGE

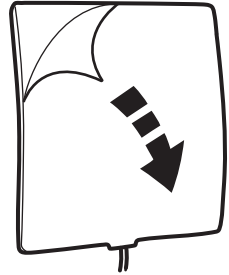
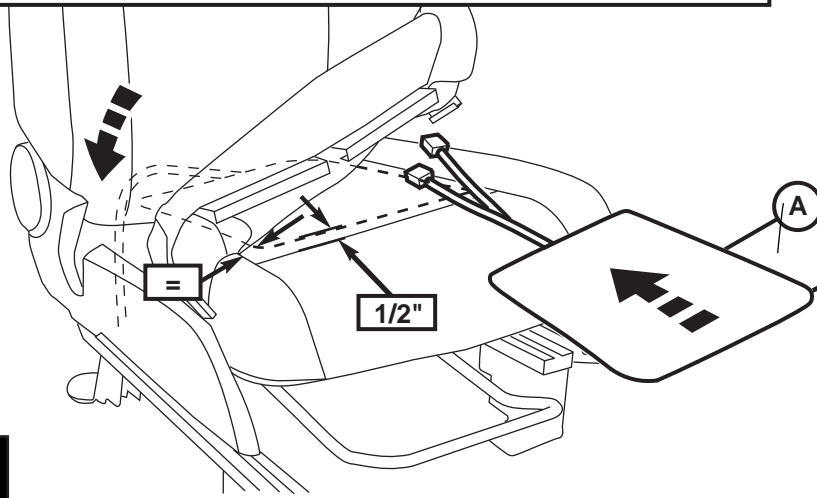


JOURNEY

NOTE: ELEMENT MUST BE CENTERED ON SEAT. SPACING BETWEEN EDGE OF ELEMENT AND INNER RIDGE OF CUSHION/PAD MUST BE EQUAL TO OPPOSITE SIDE.

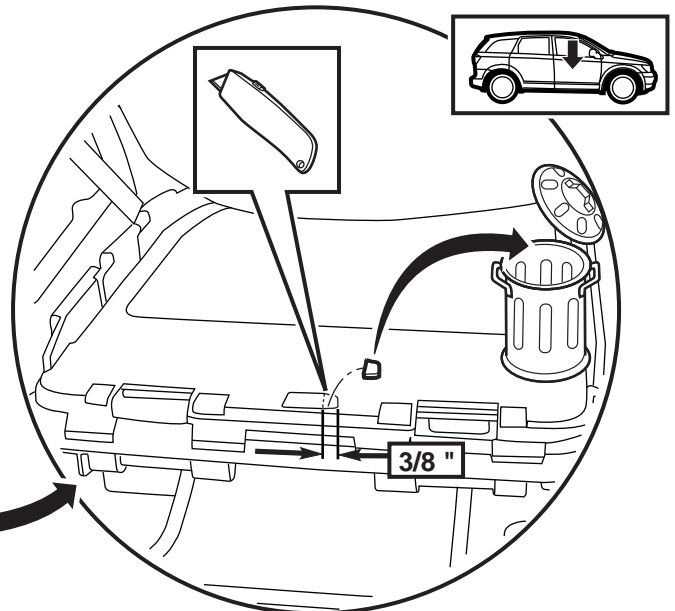
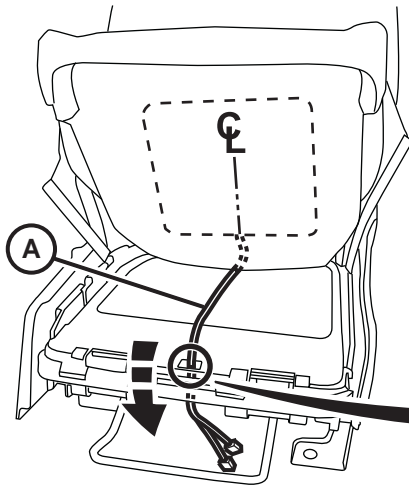


REMOVE ADHESIVE BACKING PRIOR TO INSTALLATION



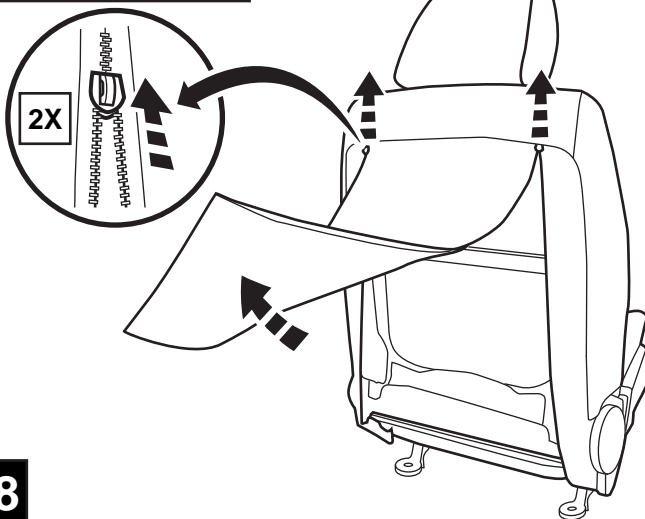
16

FOLD FLAT OPTION WITH STORAGE



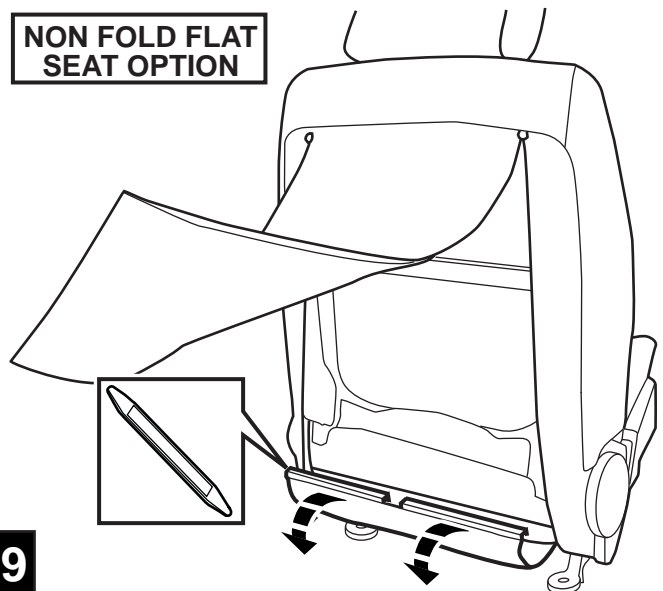
17

NON FOLD FLAT SEAT OPTION



18

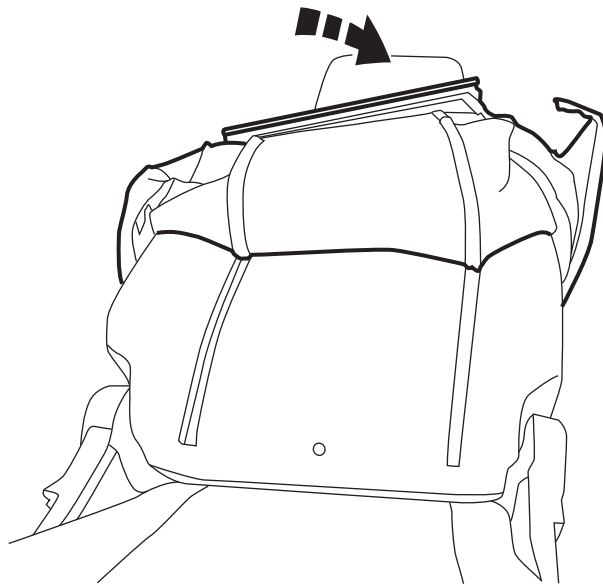
NON FOLD FLAT SEAT OPTION



19

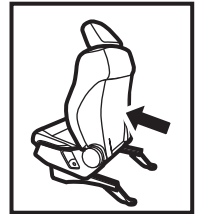
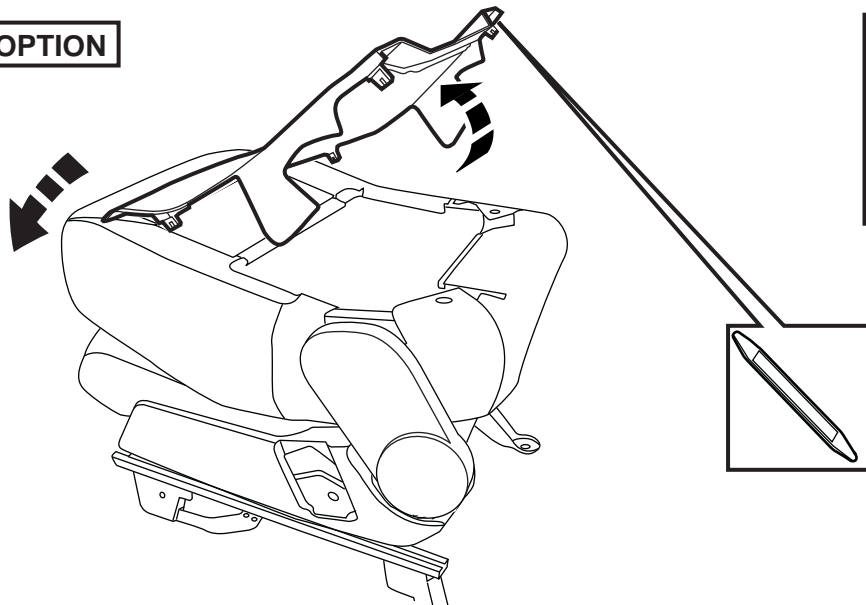
JOURNEY

NON FOLD FLAT SEAT OPTION



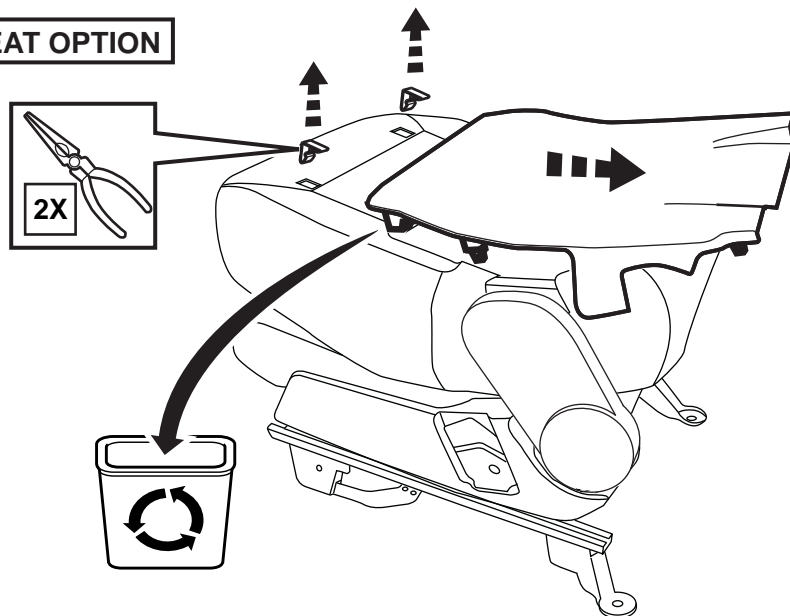
20

FOLD FLAT SEAT OPTION



21

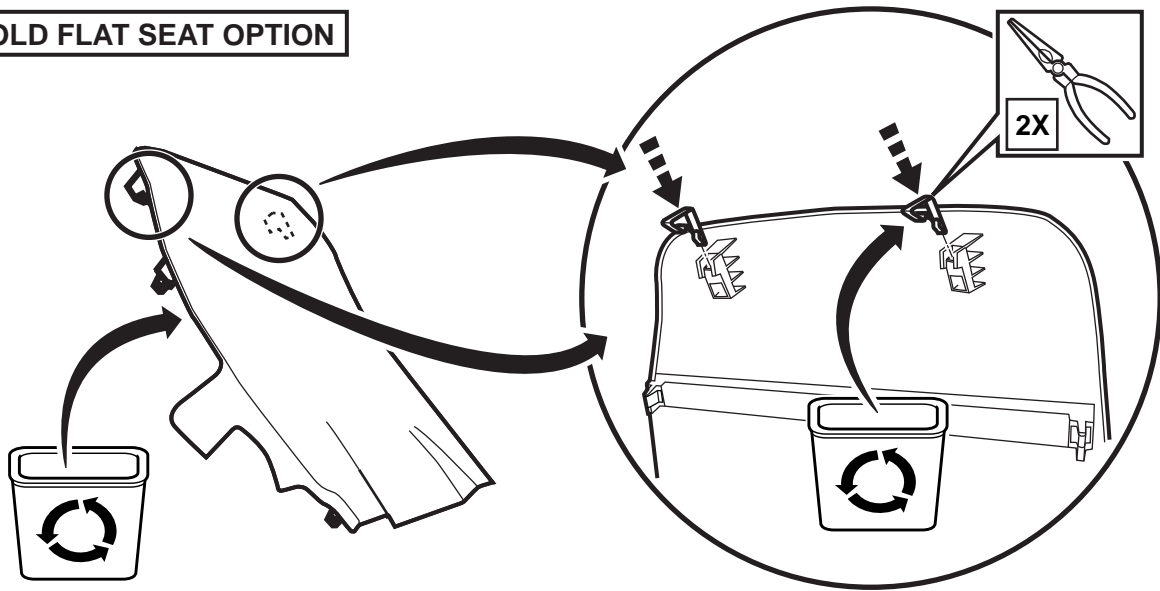
FOLD FLAT SEAT OPTION



22

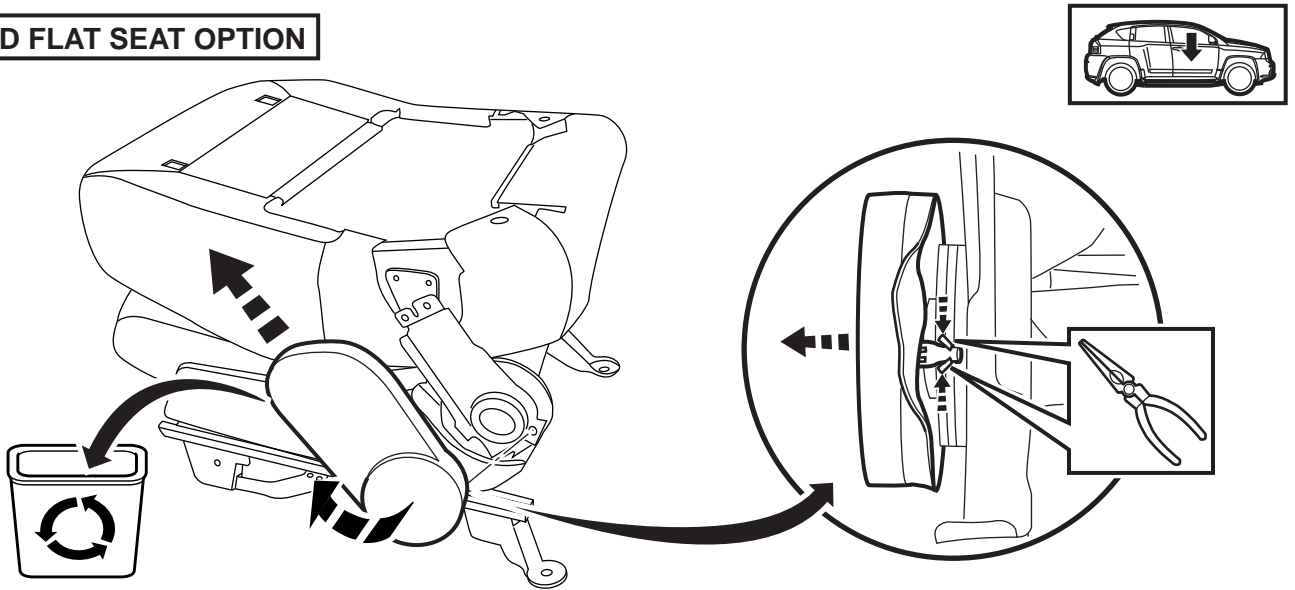
FOLD FLAT SEAT OPTION

23



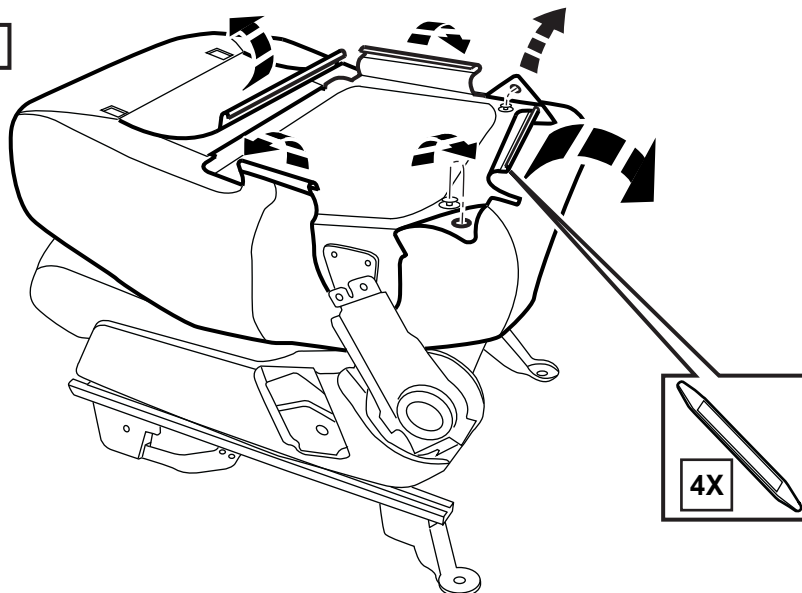
FOLD FLAT SEAT OPTION

24



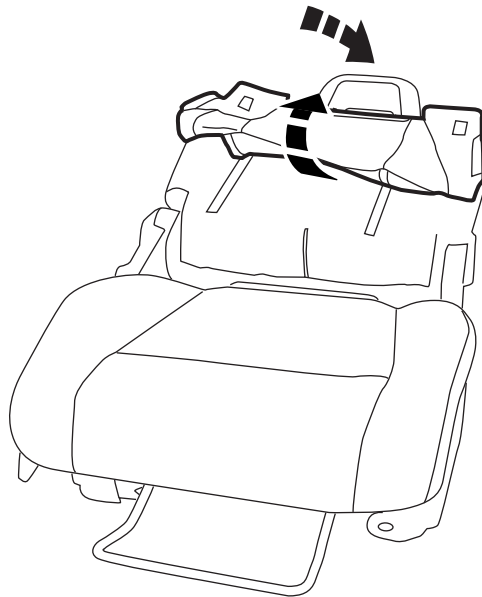
FOLD FLAT SEAT OPTION

25



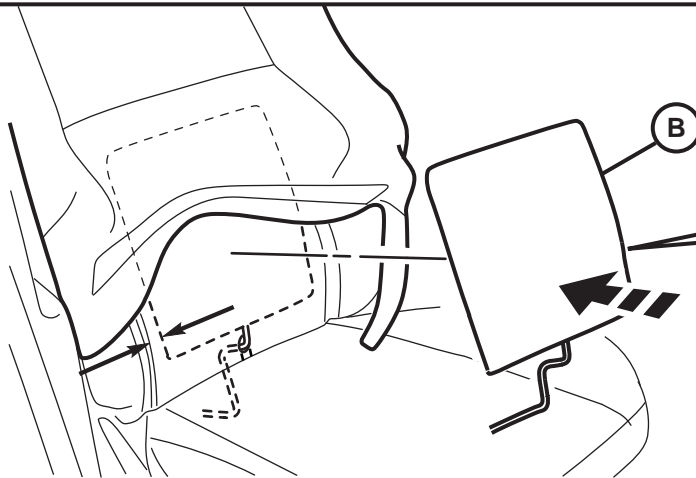
JOURNEY

**FOLD FLAT OPTION
WITH STORAGE**

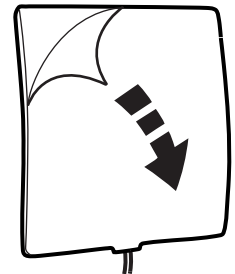


26

NOTE: ELEMENT MUST BE CENTERED ON SEAT. SPACING BETWEEN EDGE OF ELEMENT AND INNER RIDGE OF CUSHION/PAD MUST BE EQUAL TO OPPOSITE SIDE.

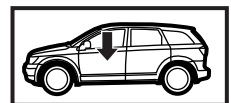
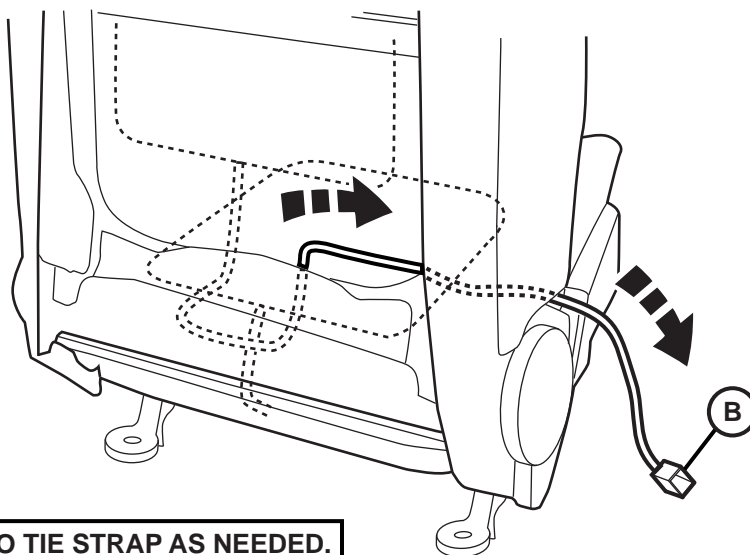


**REMOVE ADHESIVE
BACKING PRIOR TO
INSTALLATION**



27

**NON FOLD FLAT
SEAT OPTION**



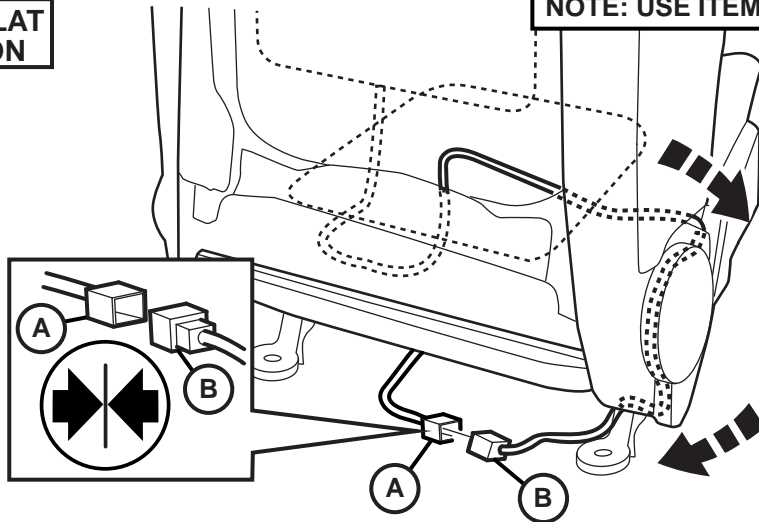
28

NOTE: USE ITEM J TO TIE STRAP AS NEEDED.

JOURNEY

NON FOLD FLAT SEAT OPTION

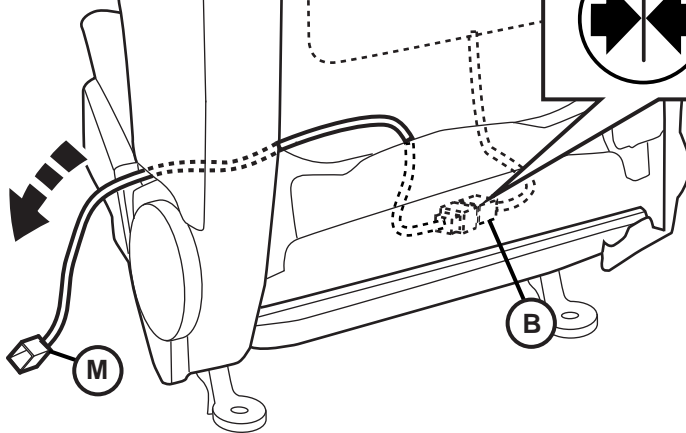
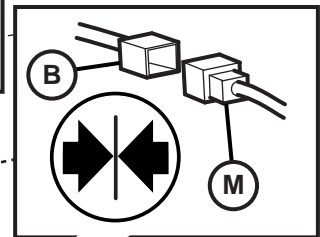
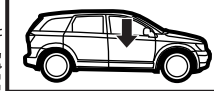
NOTE: USE ITEM J TO TIE STRAP AS NEEDED.



29

REPEAT STEPS 2 - 29 FOR OPPOSITE SIDE

FOLD FLAT OPTION WITH STORAGE

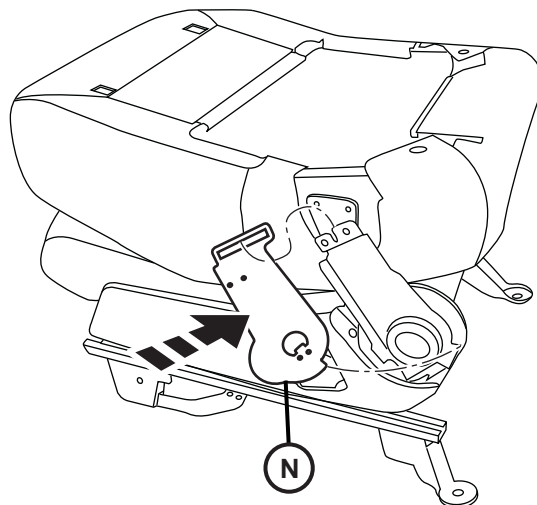


30

31

NOTE: USE ITEM J TO TIE STRAP AS NEEDED.

FOLD FLAT OPTION WITH STORAGE

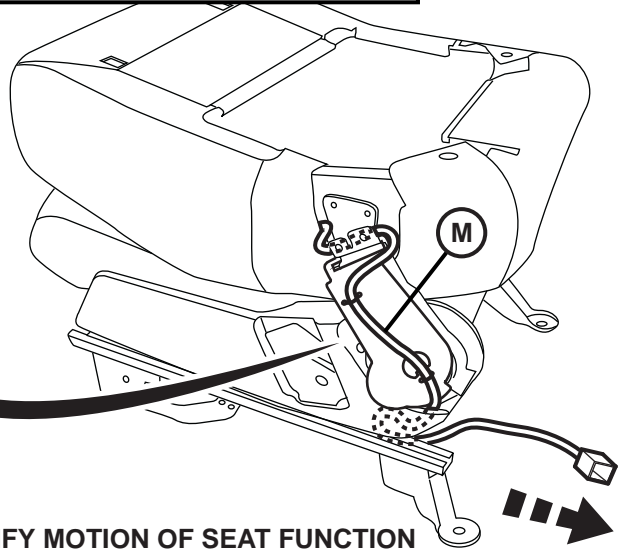
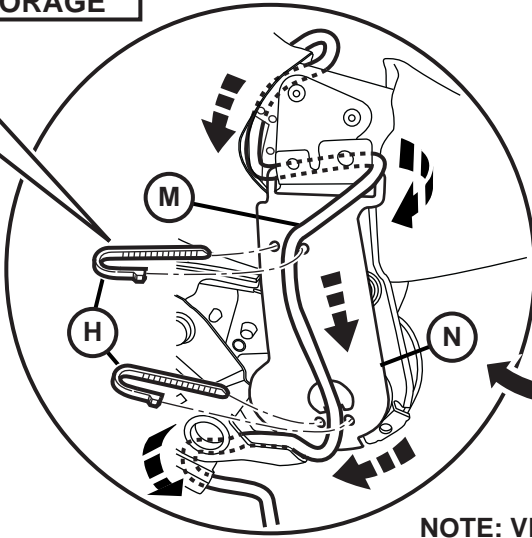
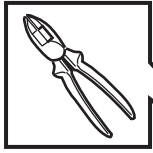


32

JOURNEY

FOLD FLAT OPTION WITH STORAGE

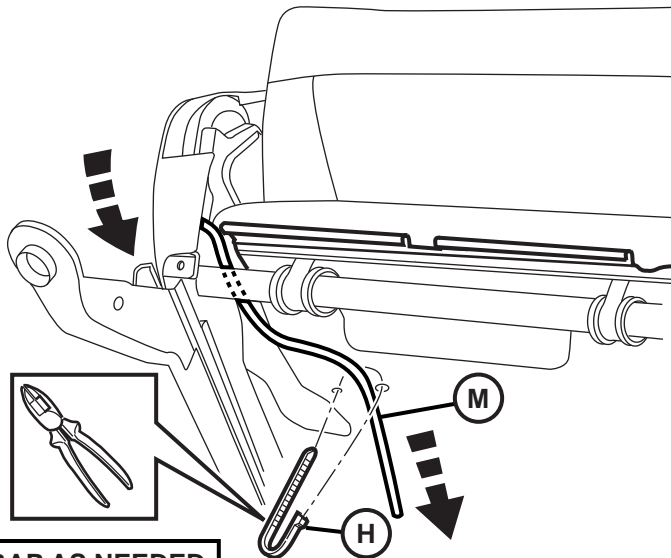
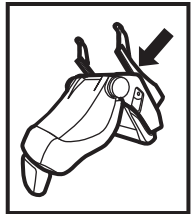
NOTE: USE ITEM H TO TIE STRAP AS NEEDED.



33

NOTE: VERIFY MOTION OF SEAT FUNCTION

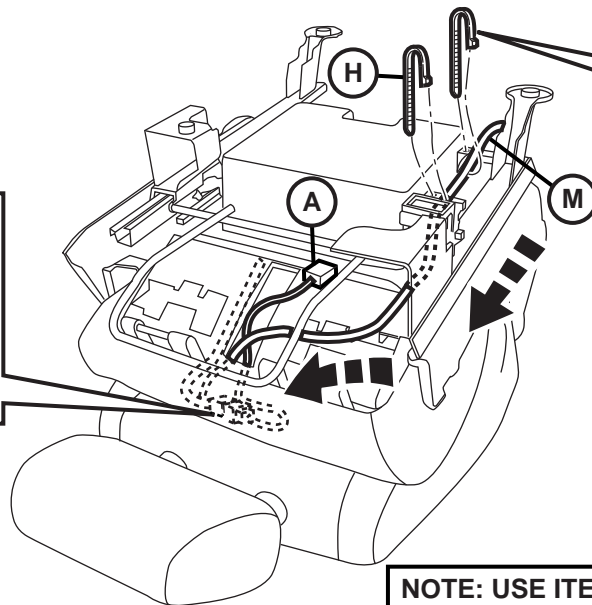
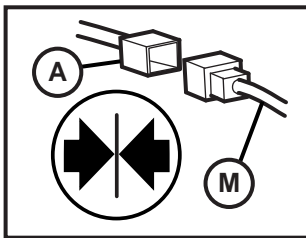
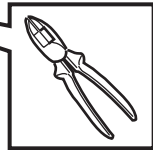
FOLD FLAT OPTION WITH STORAGE



34

NOTE: USE ITEM H TO TIE STRAP AS NEEDED.

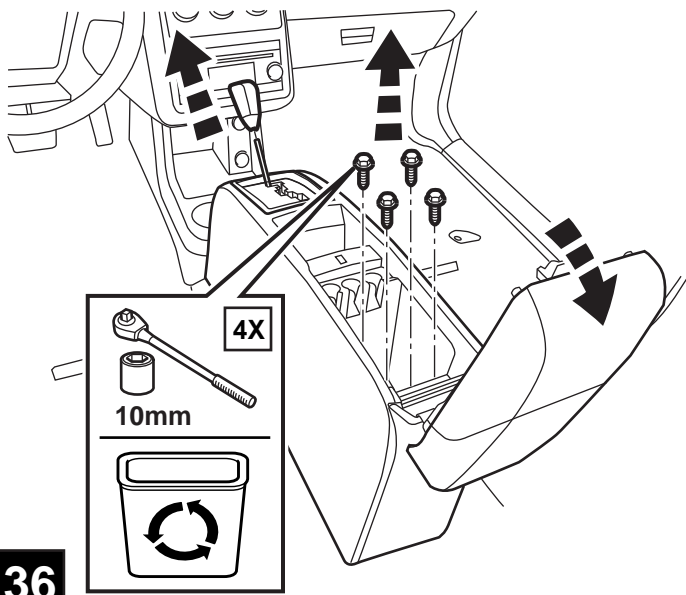
FOLD FLAT OPTION WITH STORAGE



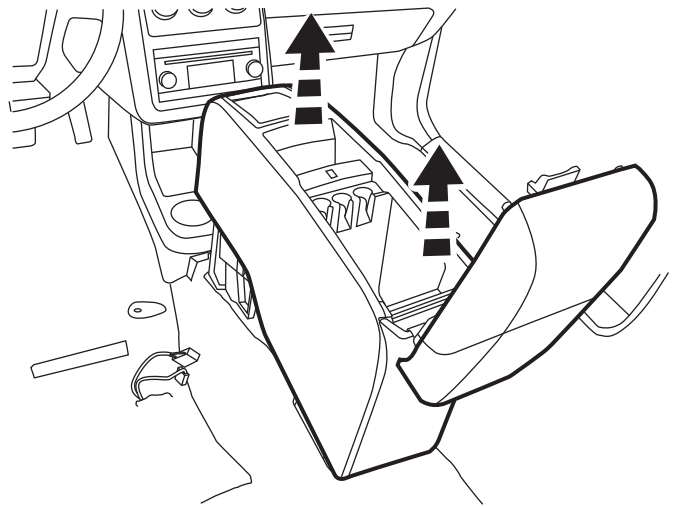
35

NOTE: USE ITEM H TO TIE STRAP AS NEEDED.

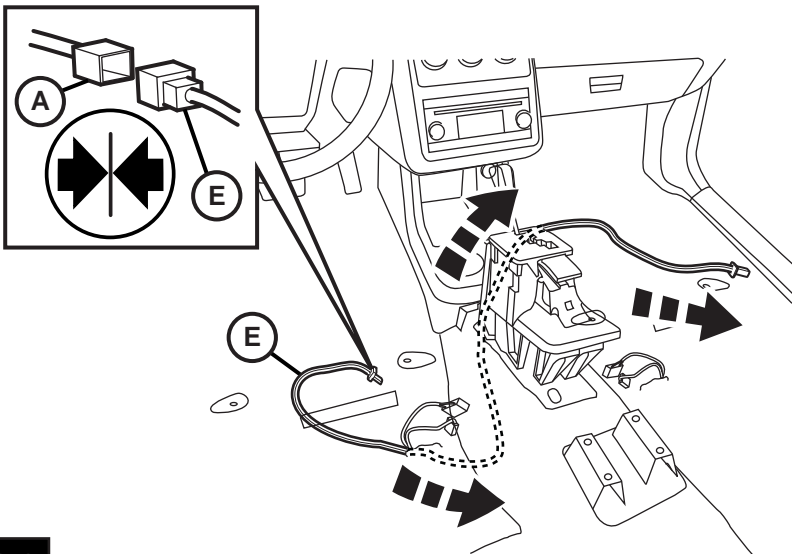
JOURNEY



36



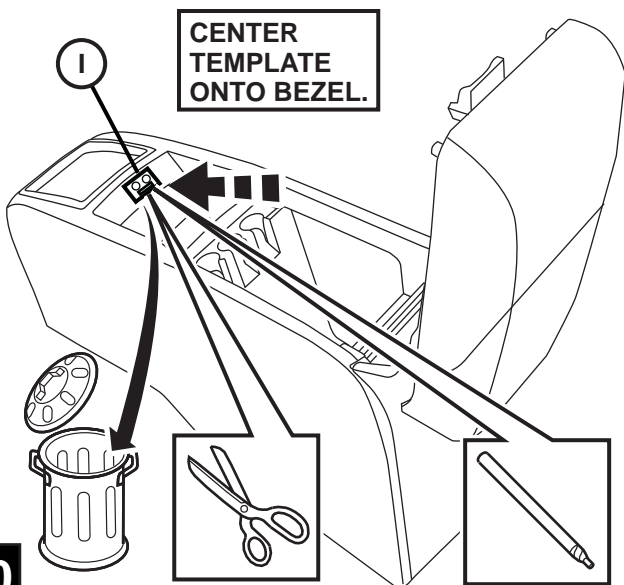
37



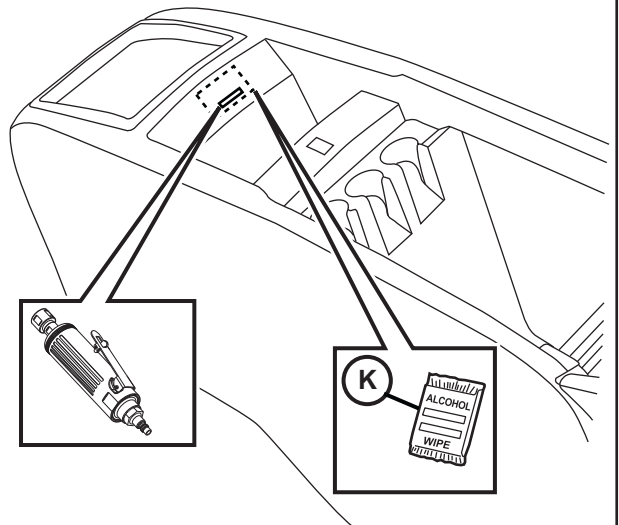
38

REPEAT STEP 38 FOR OPPOSITE SIDE

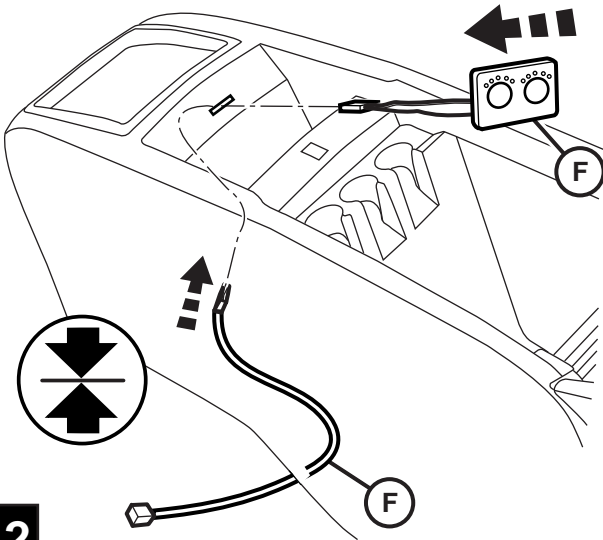
39



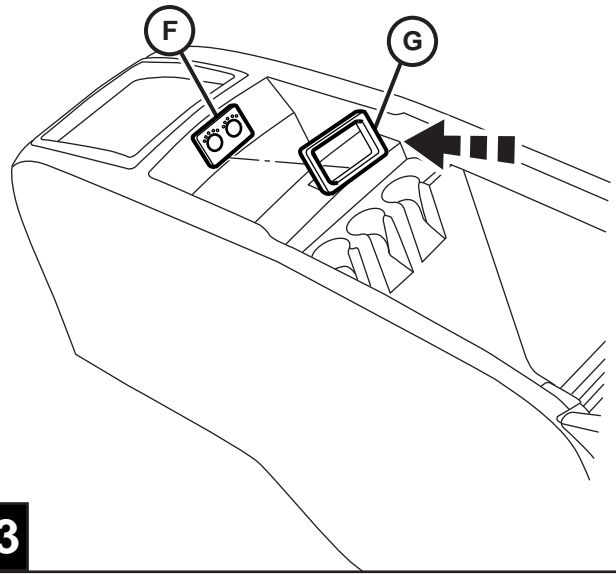
40



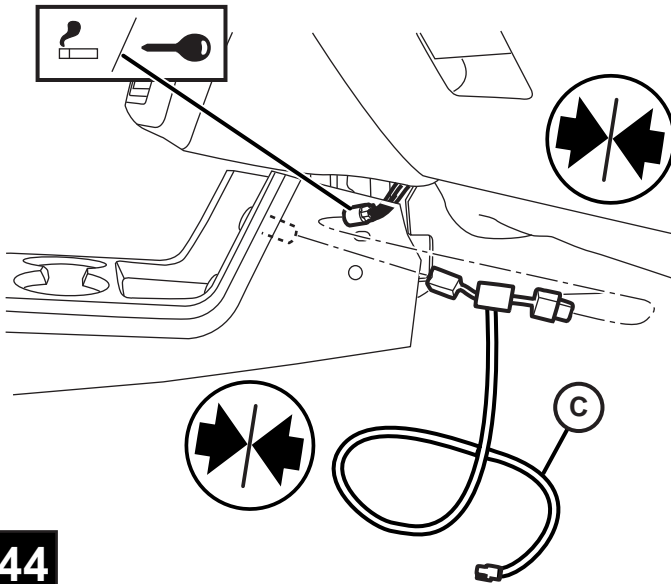
41



42

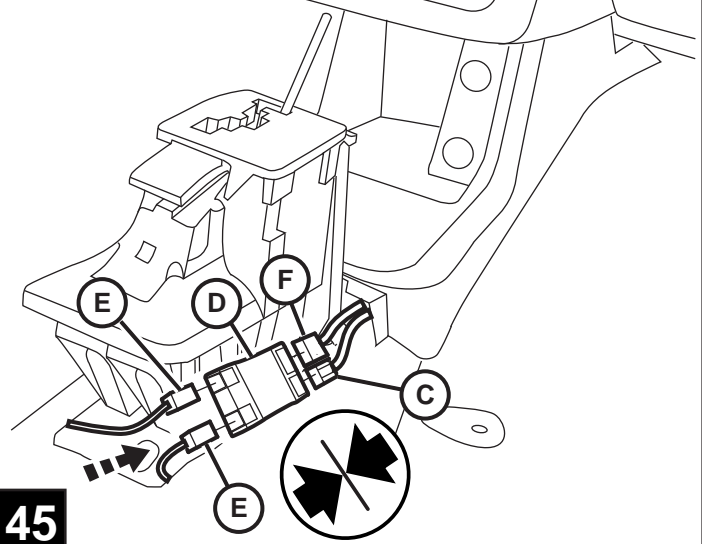


43

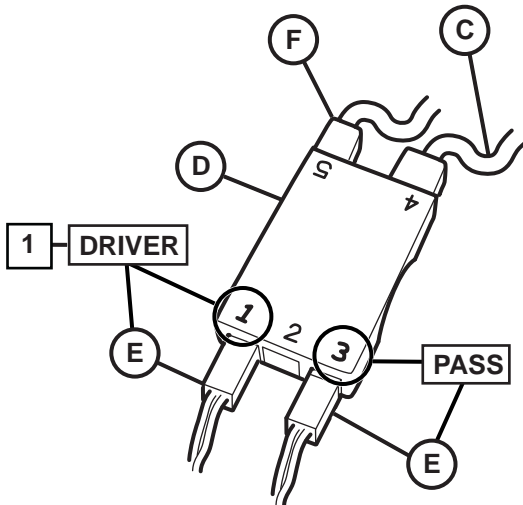


44

NOTE: USE ITEM H TO TIE STRAP AS NEEDED.



45



46

NOTE: REVERSE REMOVAL
STEPS 1-26,36-37 FOR
RE-INSTALLATION

47

 **PG 23**

**FRONT HEATED SEATS
SIÈGES AVANT CHAUFFANT
HEIZUNG VORDERSITZE
SEDILI ANTERIORI RISCALDATI**

- 4,5 TORQUE TO 40 ft-lbs (55NM) FOR RE-INSTALLATION
4,5 CLÉ DYNAMOMÈTRIQUE DE 40 ft-lbs (55NM) POUR LA RÉINSTALLATION
DREHMOMENT FÜR WIEDEREINBAU 40 ft-lbs (55NM)
COPPIA DI SERRAGGIO FINO A 55 NM PER LA REINSTALLAZIONE
APRIETE A 40 ft-lbs (55NM) PARA LA REINSTALACIÓN**
- 3,8 TORQUE TO 30 ft-lbs (40NM) FOR RE-INSTALLATION
3,8 CLÉ DYNAMOMÈTRIQUE DE 30 ft-lbs (40NM) POUR LA RÉINSTALLATION
DREHMOMENT FÜR WIEDEREINBAU 30 ft-lbs (40NM)
COPPIA DI SERRAGGIO FINO A 40 NM PER LA REINSTALLAZIONE
APRIETE A 30 ft-lbs (40NM) PARA LA REINSTALACIÓN**
- 12 USE "ITEM "L" TO RE-INSTALL
12,15 UTILISER "L'ÉLÉMENT "L" POUR RÉINSTALLER
WIEDEREINBAU MIT „TEIL „L"
USARE "L'ARTICOLO L" PER LA REINSTALLAZIONE
USE EL ARTÍCULO "L" PARA REINSTALAR**
- 13,22 NOTE: ELEMENT MUST BE CENTERED ON SEAT. SPACING BETWEEN EDGE OF
16,27 ELEMENT AND INNER RIDGE OF CUSHION/PAD MUST BE EQUAL TO OPPOSITE
SIDE.
NOTE : L'ÉLÉMENT DOIT ÊTRE PLACE AU CENTRE DU SIÈGE. L'ESPACE ENTRE
BORDO DELL'ELEMENTO E LA COSTA INTERNA DELLA
PROTEZIONE/IMBOTTITURA DEVE ESSERE EQUIVALENTE A QUELLO DEL LATO
OPPOSTO.
NOTA: EL ELEMENTO DEBE QUEDAR CENTRADO EN EL ASIENTO. EL
ESPACIAMIENTO ENTRE EL BORDE DEL ELEMENTO Y EL CABALLETE INTERNO
DEL COJÍN DEBE SER IGUAL EN EL LADO OPUESTO.**
- 13,22 REMOVE ADHESIVE BACKING PRIOR TO INSTALLATION
16,27 ENLEVER L'ADHÉSIF AVANT INSTALLATION
VOR EINBAU SELBSTKLEBE-ABDECKFOLIE ENTFERNEN
PRIMA DELL'INSTALLAZIONE, RIMUOVERE IL DORSO ADESIVO
RETIRE EL SOPORTE ADHESIVO ANTES DE LA INSTALACIÓN**
- 23,24 NOTE: USE "ITEM J" TO TIE STRAP AS NEEDED.
28,29,31 NOTE : UTILISER "L'ÉLÉMENT "J" POUR RESSERER LA LANIÈRE SELON
LES BESOINS.
WICHTIG: MIT "TEIL J" NACH BEDARF FIXIEREN.
NOTA: SE NECESSARIO, USARE LA FASCETTA FERMACAVO, "ARTICOLO J".
NOTA: USE EL ARTÍCULO "J" PARA AJUSTAR LO NECESARIO EL AMARRE.**

28,29,41,43 NOTE: USE "ITEM H" TO TIE STRAP AS NEEDED.
33,34,35,45 NOTE : UTILISER "L'ÉLÉMENT "H" POUR RESSERER LA LANIÈRE SELON LES BESOINS.
WICHTIG: MIT "TEIL H" NACH BEDARF FIXIEREN.
NOTA: SE NECESSARIO, USARE LA FASCETTA FERMACAVO, "ARTICOLO H".
NOTA: USE EL ARTÍCULO "H" PARA AJUSTAR LO NECESARIO EL AMARRE.

25,35 REPEAT STEPS 2-24,34/2-29,38 FOR OPPOSITE SIDE
30,39 RÉPÉTER LES ÉTAPES 2-24,34/2-29,38 POUR L'AUTRE CÔTÉ
SCHRITTE 2-24,34/2-29,38 FÜR ZWEITEN SITZ WIEDERHOLEN
RIPETERE I PASSAGGI 2-24,34/2-29,38 PER IL LATO OPPOSTO
REPITA LOS PASOS 2-24,34/2-29,38 EN EL LADO OPUESTO

36 CENTER TEMPLATE ONTO BEZEL.
40 CENTRER MAQUETTE SUR COLLERETTE.
SCHABLONE AUF BLENDE ZENTRIEREN.
CENTRARE LA MASCHERINA SULLA CORNICE.
PLANTILLA DE CENTRO SOBRE BISEL.

42 DRIVER PASS
46 CONDUCTEUR PASS
FAHRER BEIF.
DRIVER PASSANTE
CONDUCTOR PASAJERO

44 NOTE: REVERSE REMOVAL STEPS 1-12,14-21,30-33/1-26,36-37 FOR RE-INSTALLATION
47 NOTE : INVERSER LES ÉTAPES DE DÉINSTALLATION 1-12, 14-21,29-32/1-26,36-37
POUR LA REINSTALLATION
WICHTIG: ZUM EINBAUABSCHLUSS SCHRITTE 1-12,14-21,29-32/1-26,36-37 UMKEHREN
NOTA: PER LA REINSTALLAZIONE, INVERTIRE I PASSAGGI RELATIVI ALLA
RIMOZIONE 1-12,14-21,29-32/1-26,36-37
NOTA: PASOS REVERSOS 1-12,14-21,29-32/1-26,36-37 DEL RETIRO PARA LA
REINSTALACIÓN

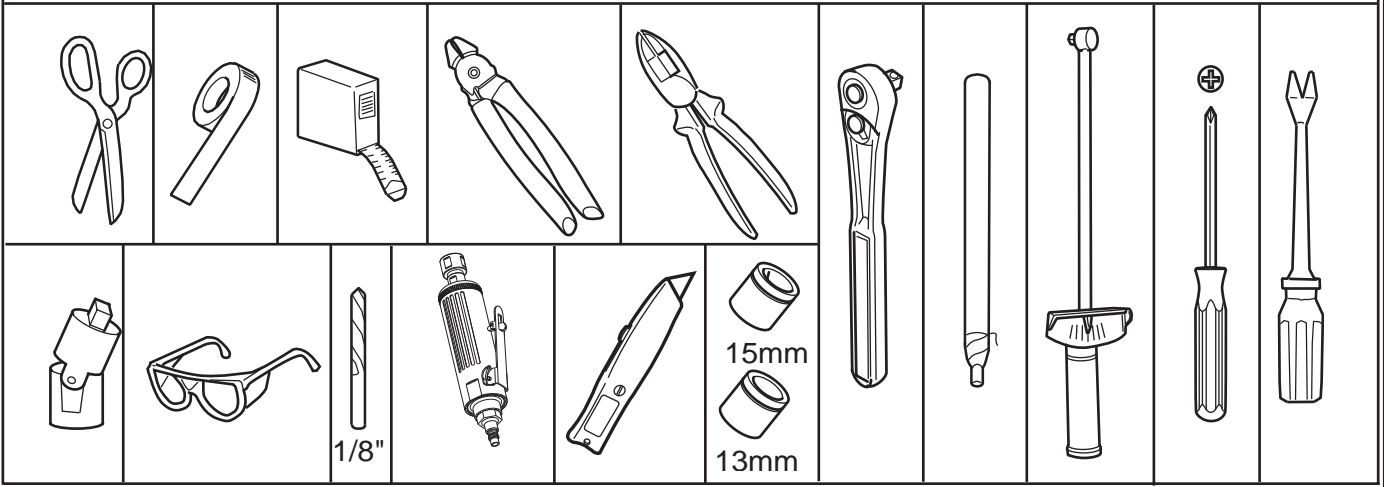
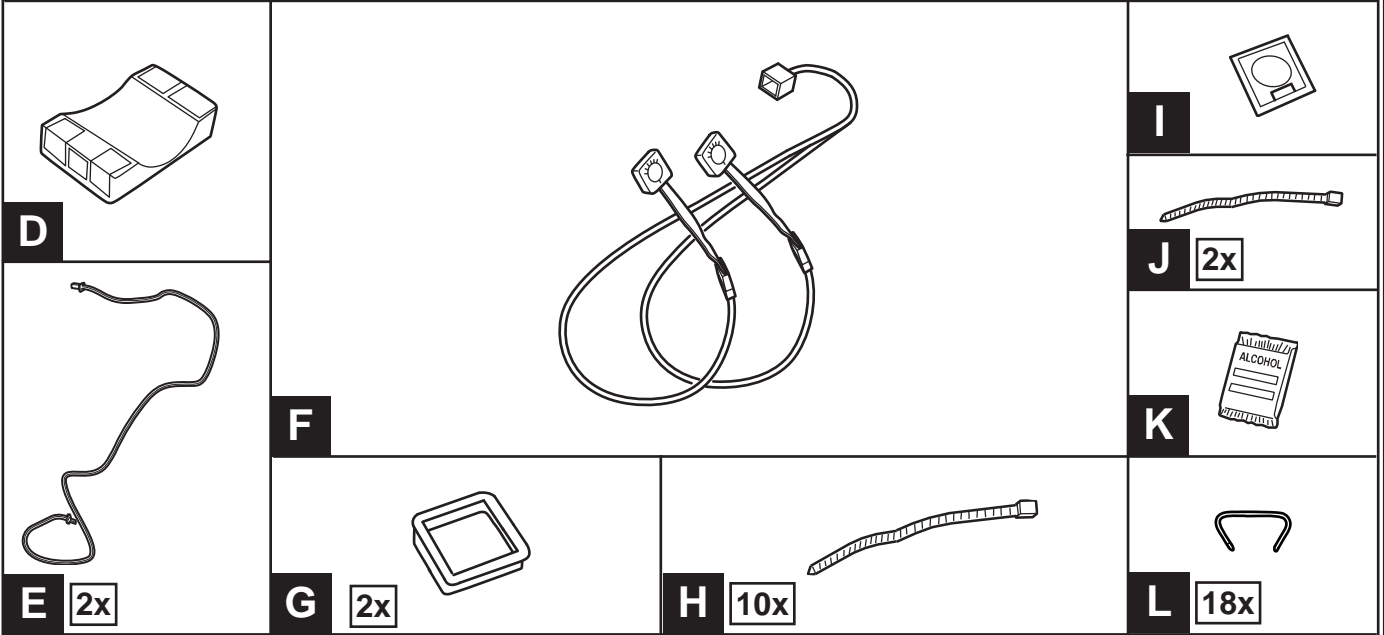
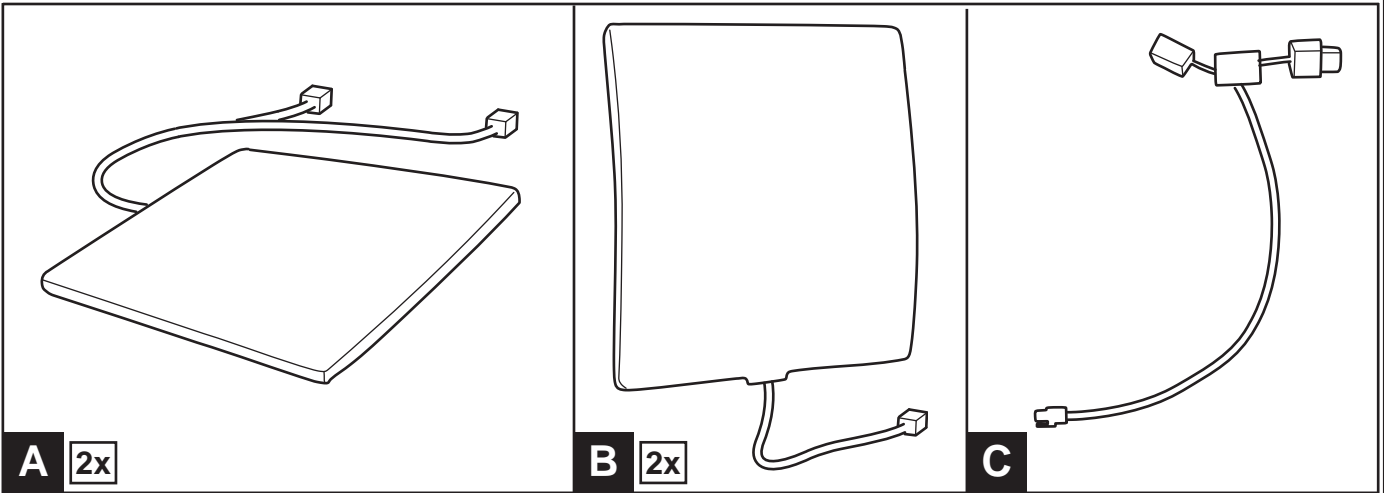


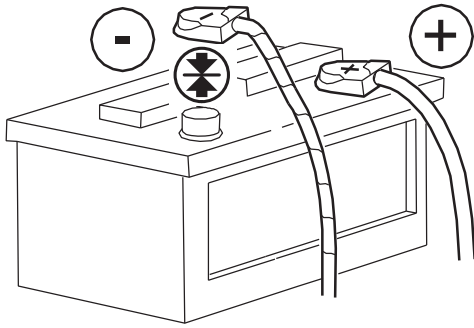
MOPAR®

CHARGER, MAGNUM, 300 C

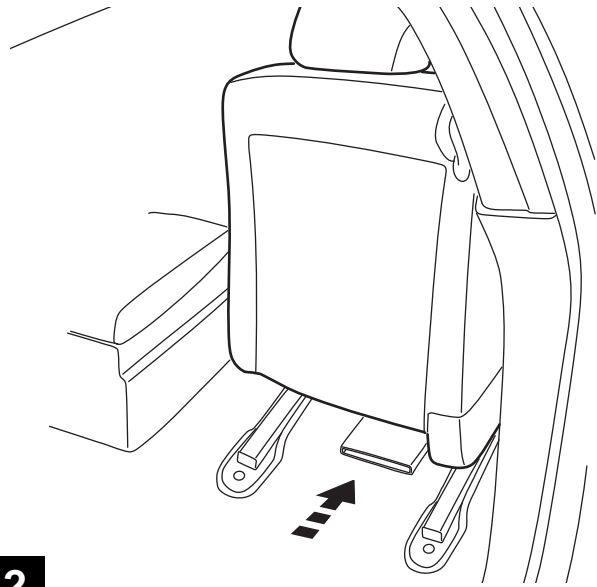
Heated Seat

CE

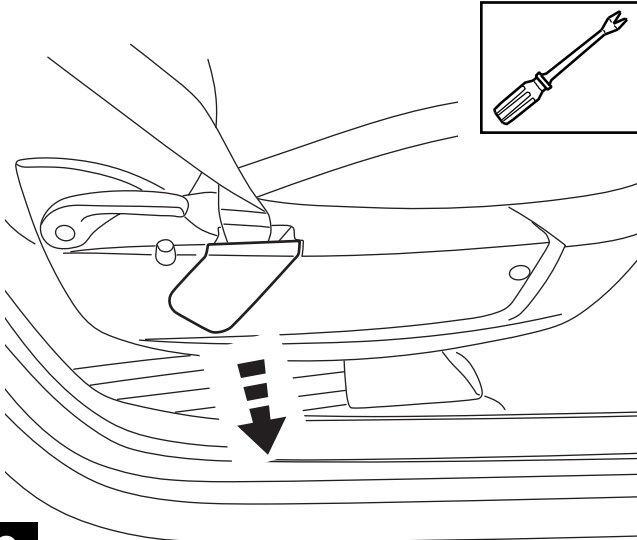




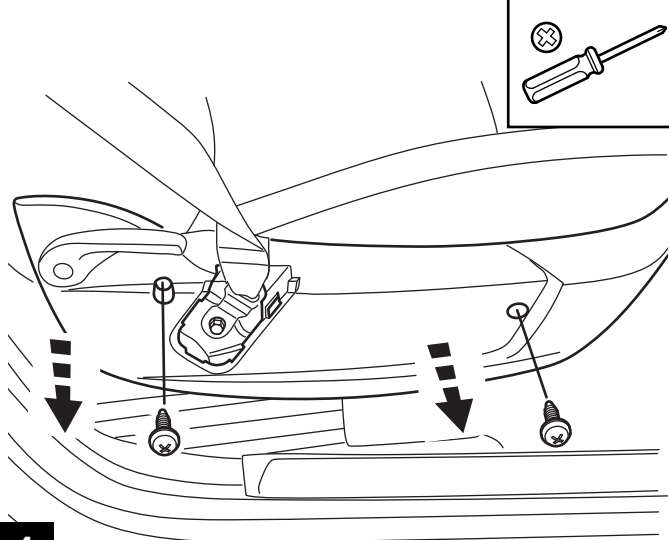
1



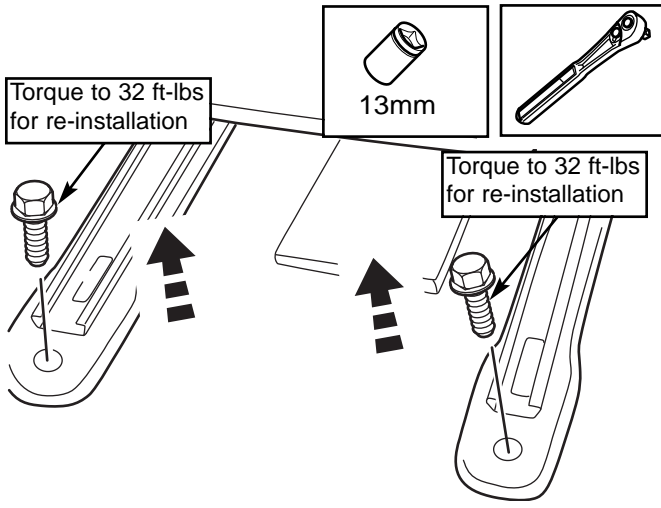
2



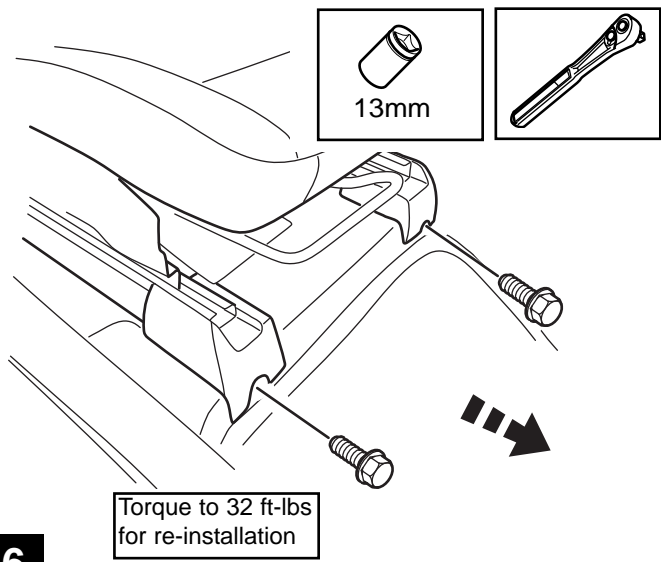
3



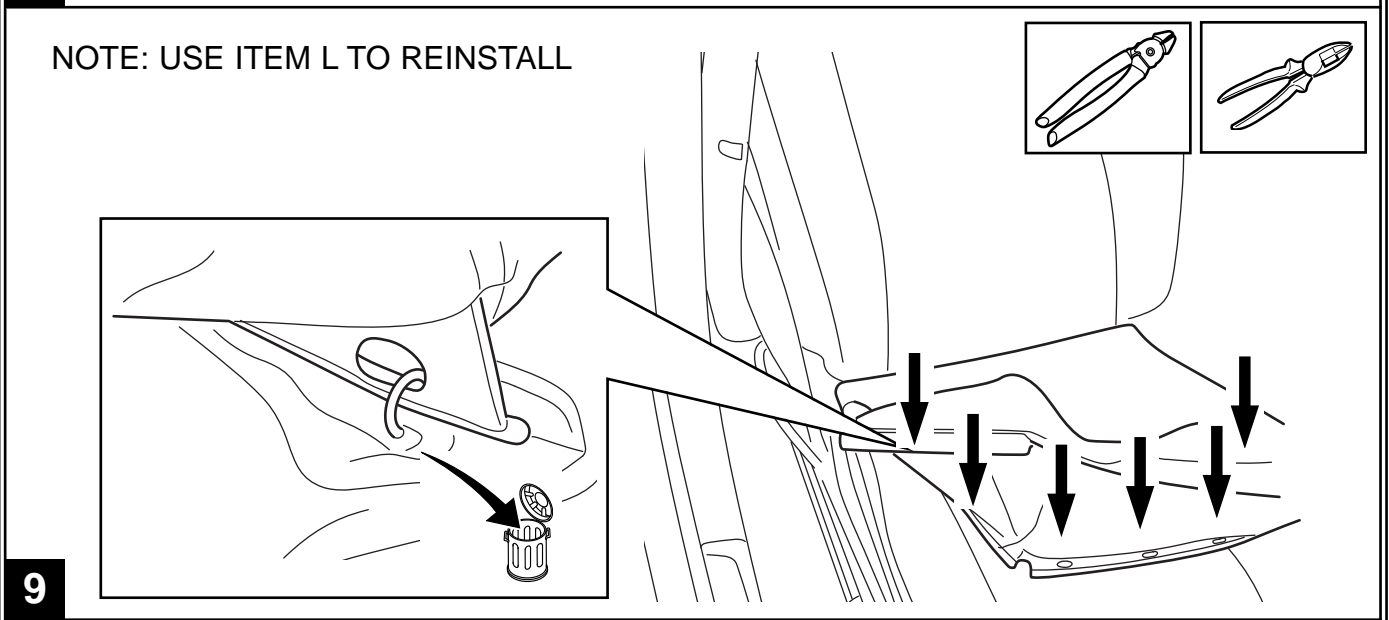
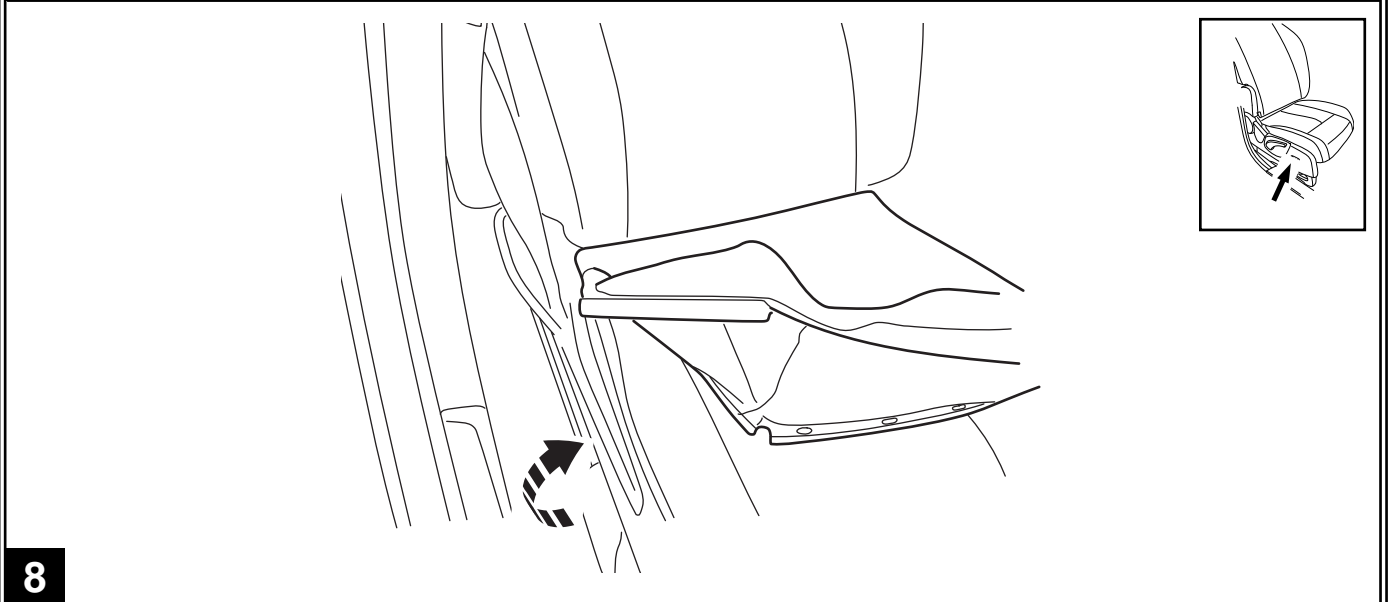
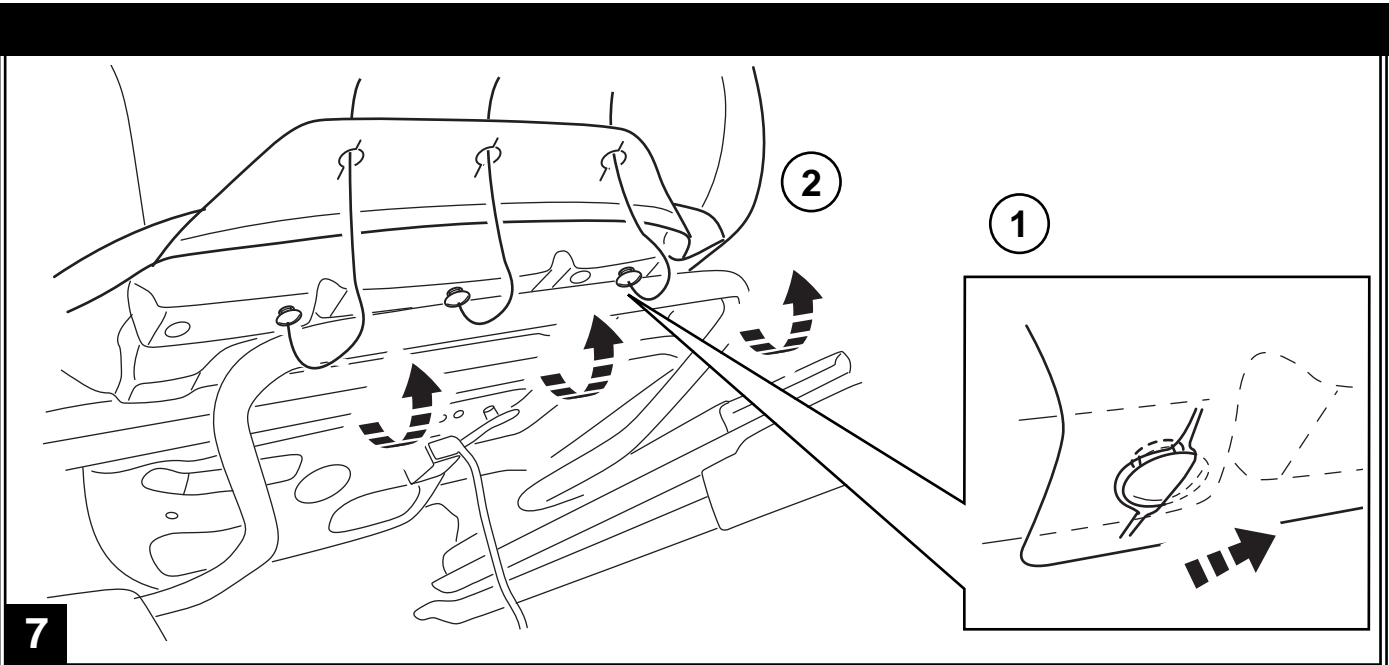
4

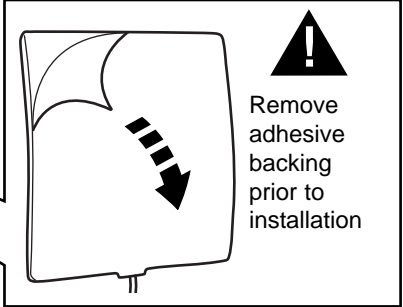
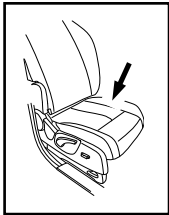
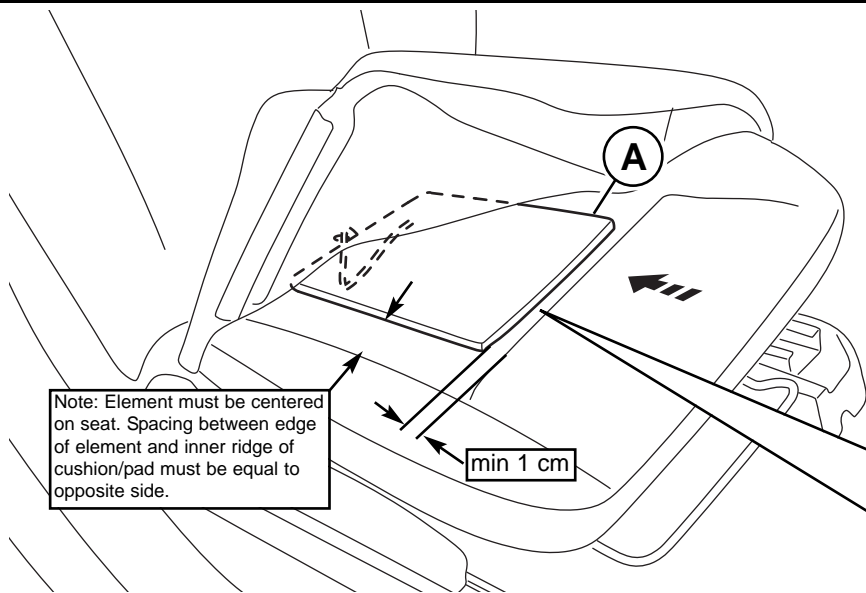


5

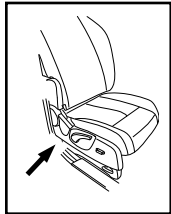
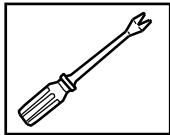
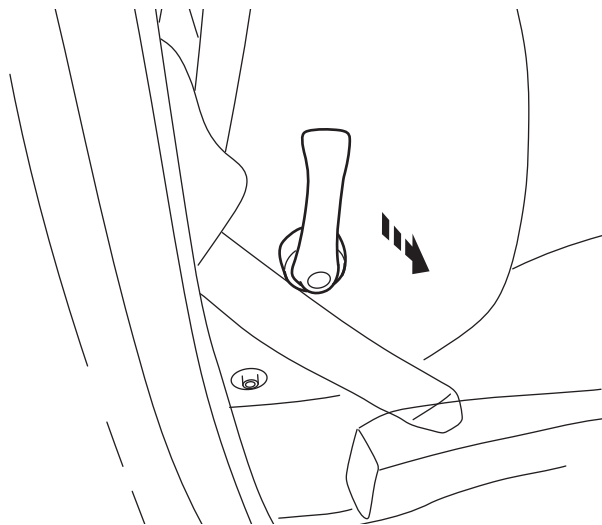


6

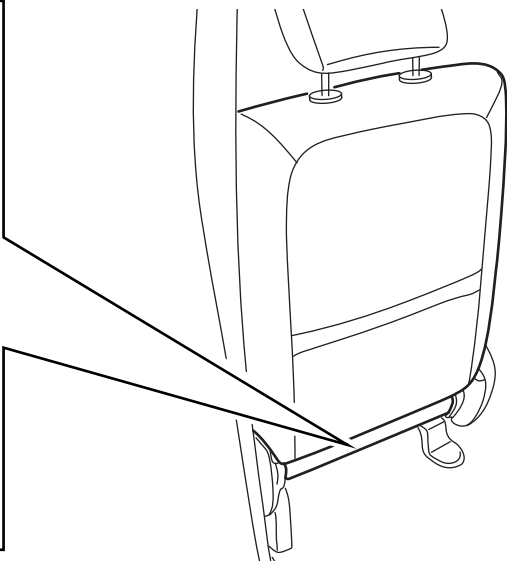
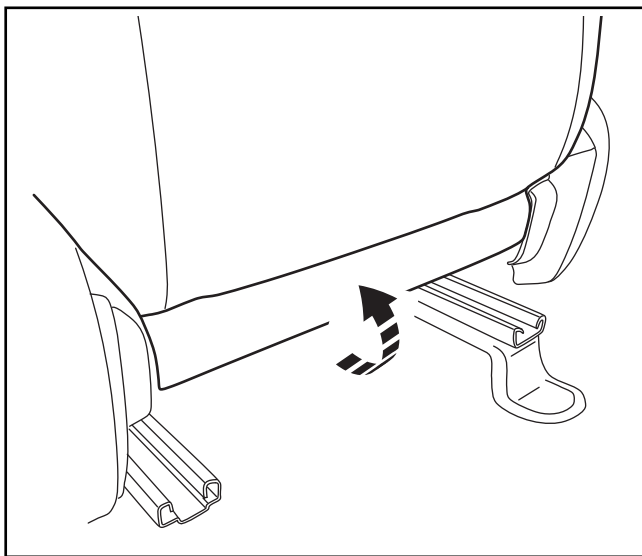




10

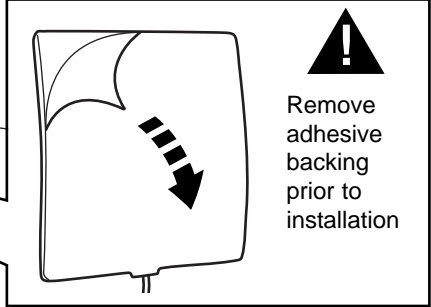
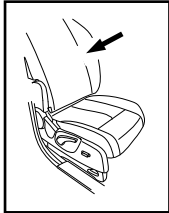
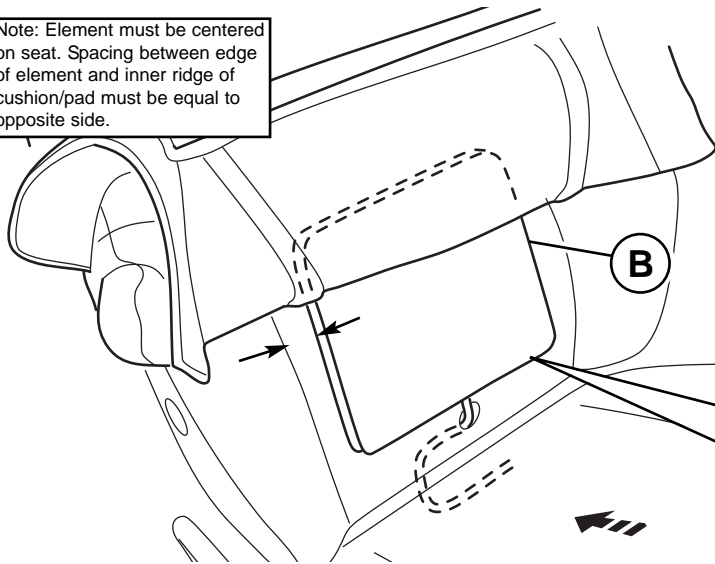


11



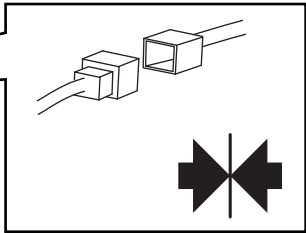
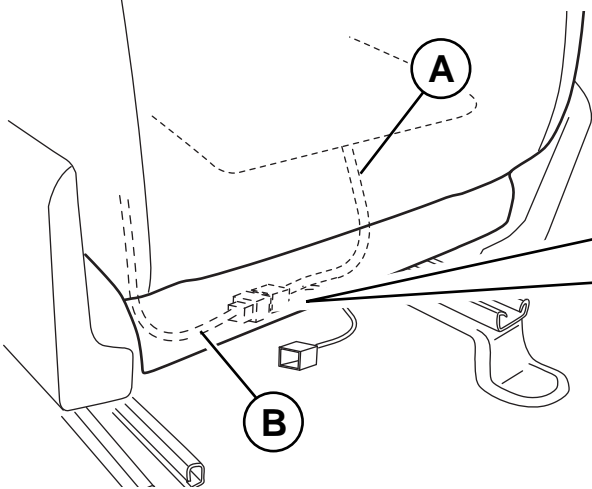
12

Note: Element must be centered on seat. Spacing between edge of element and inner ridge of cushion/pad must be equal to opposite side.

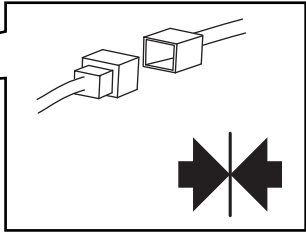
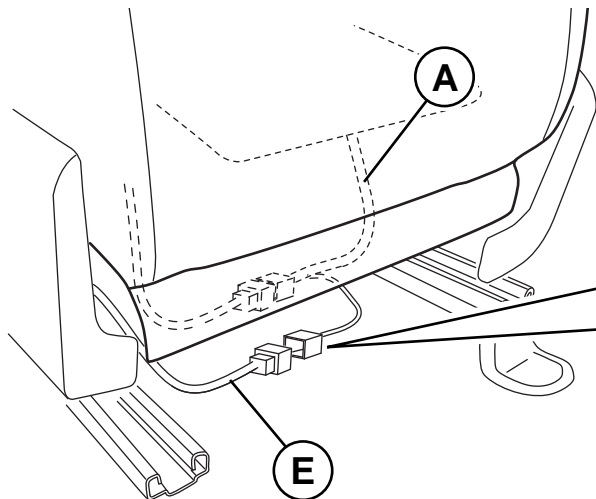


13

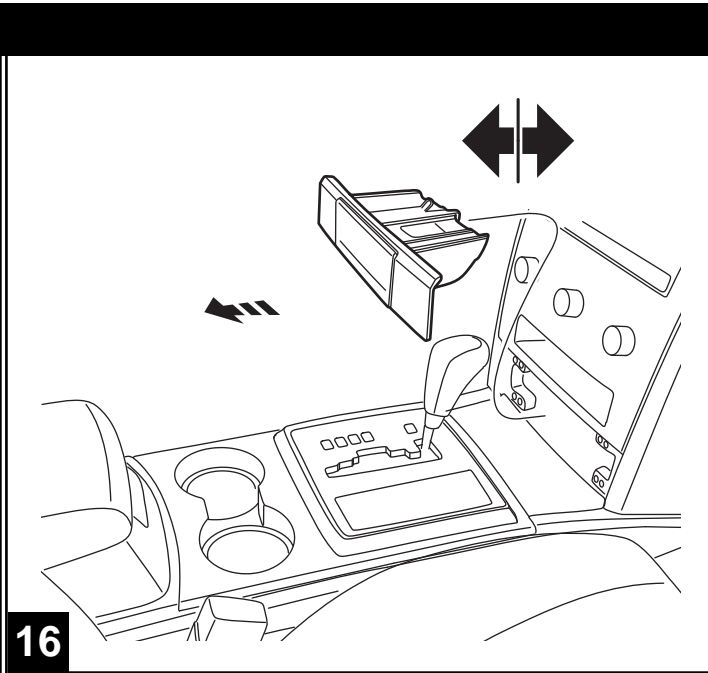
NOTE: USE ITEM J TO TIE STRAP AS NEEDED



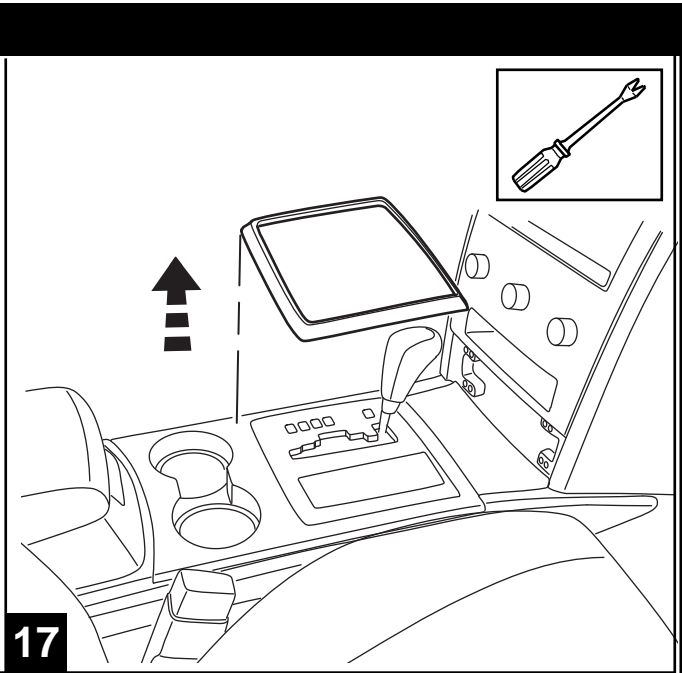
14



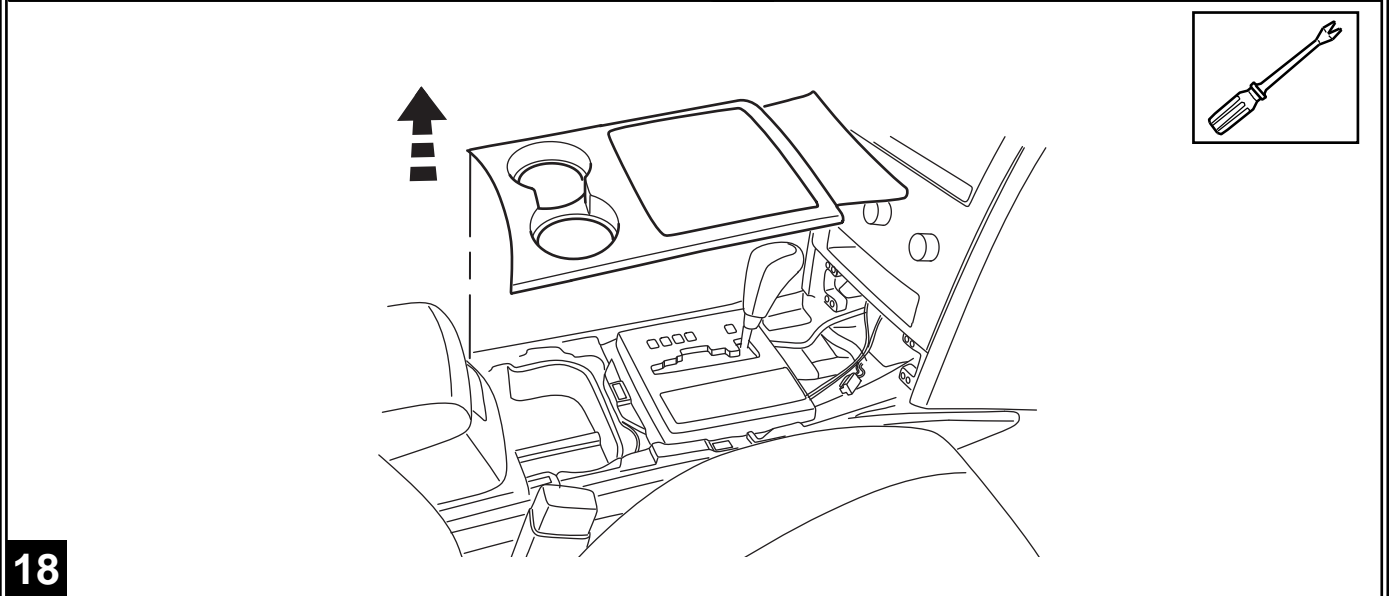
15



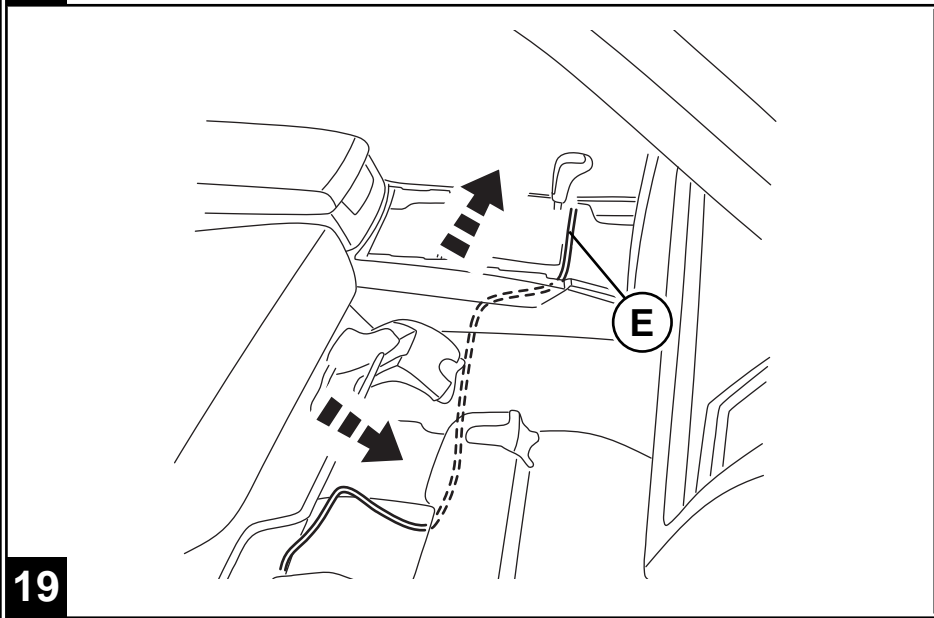
16



17



18

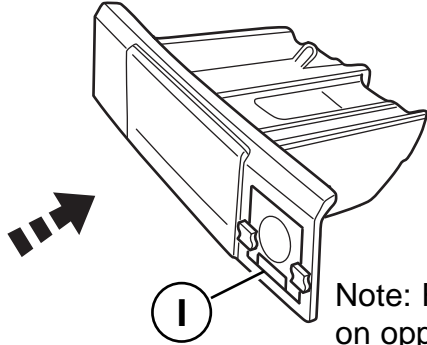
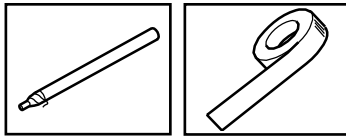


19

20

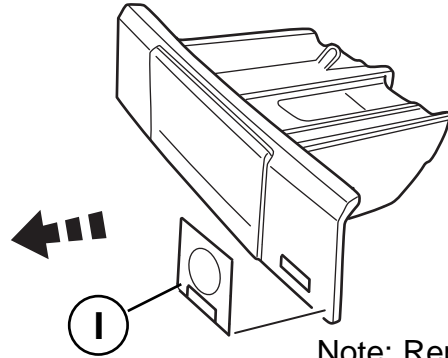
Repeat steps
2 - 15 for
opposite side

Center template onto bezel.



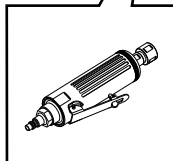
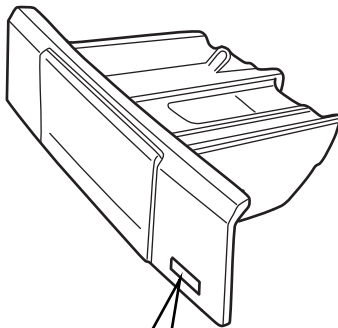
Note: Repeat on opposite side

21



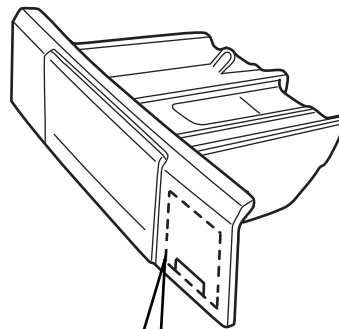
Note: Repeat on opposite side

22



Note: Repeat on opposite side

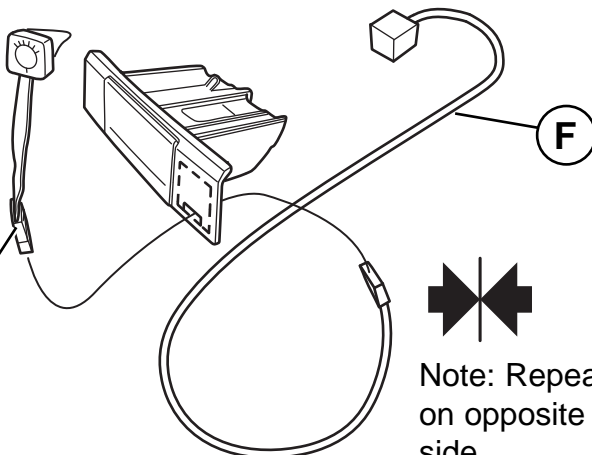
23



Note: Repeat on opposite side

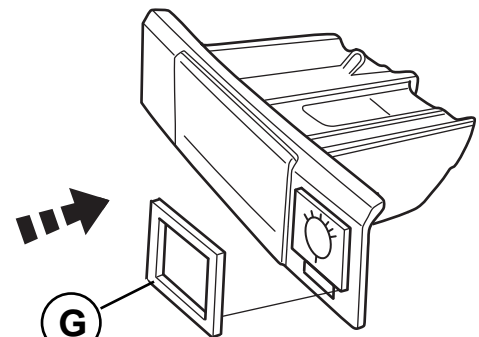
24

 Remove adhesive backing prior to installation



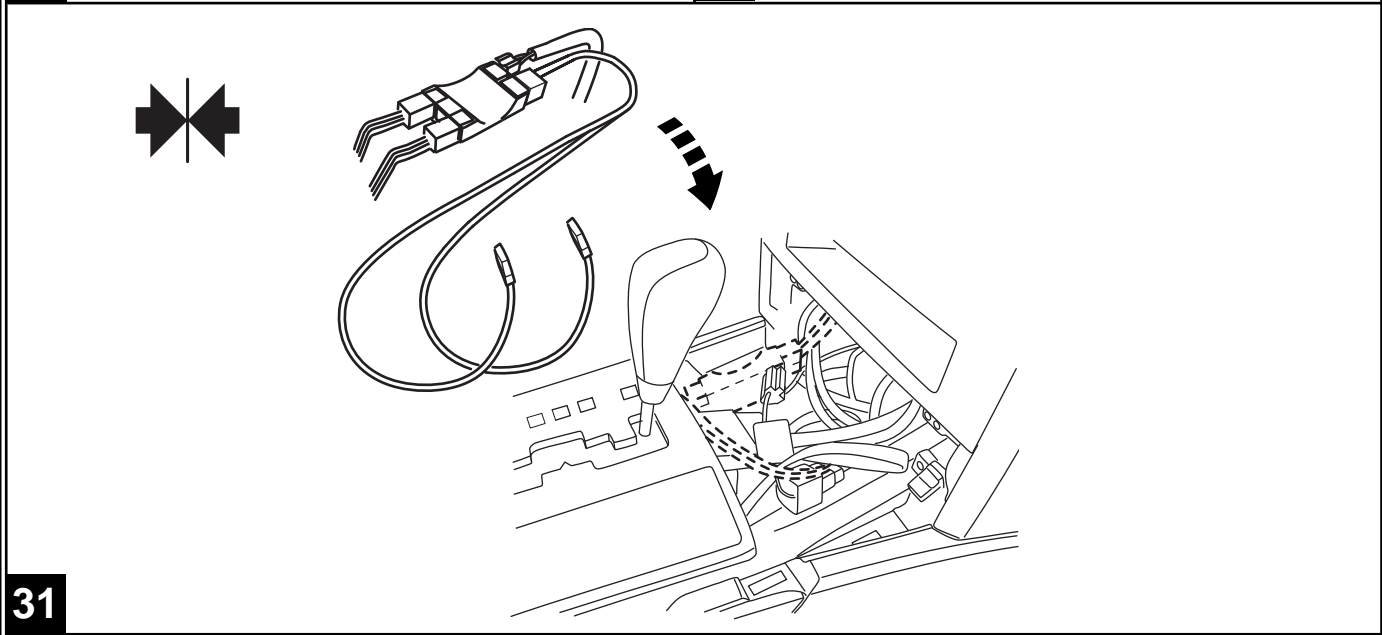
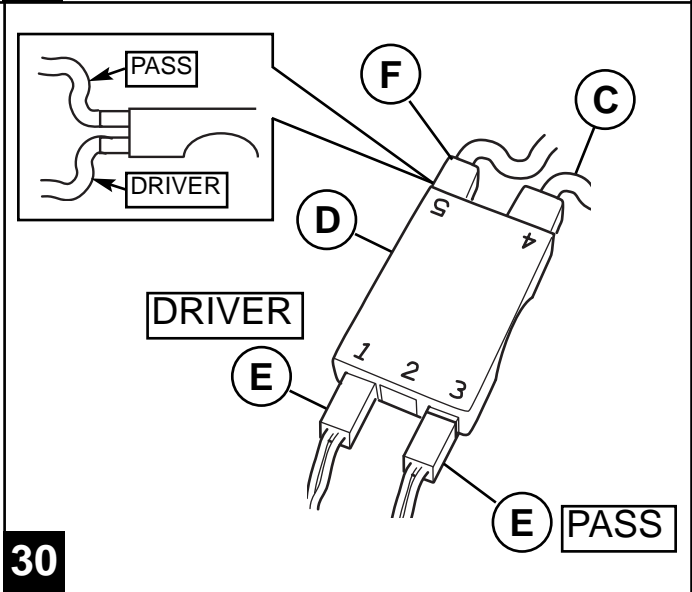
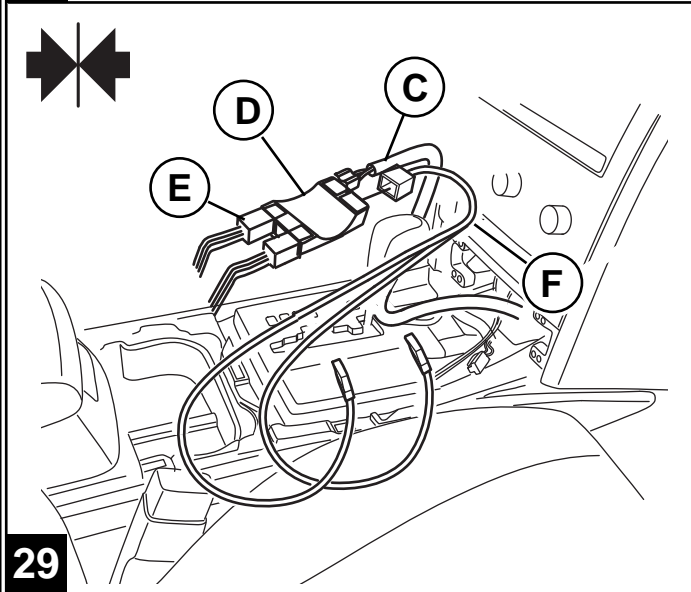
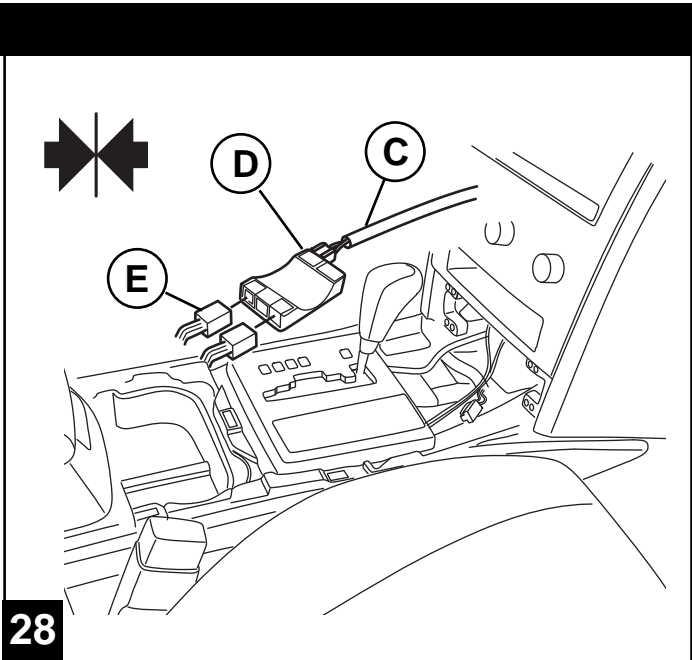
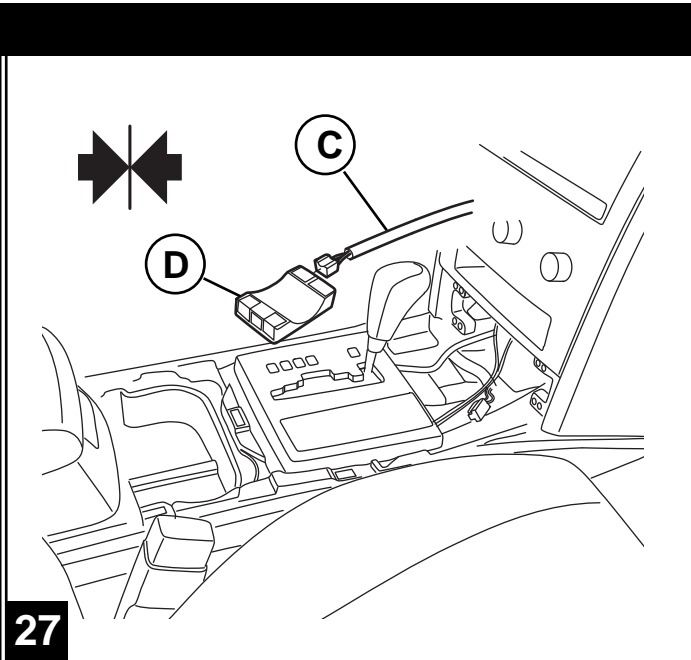
Note: Repeat on opposite side

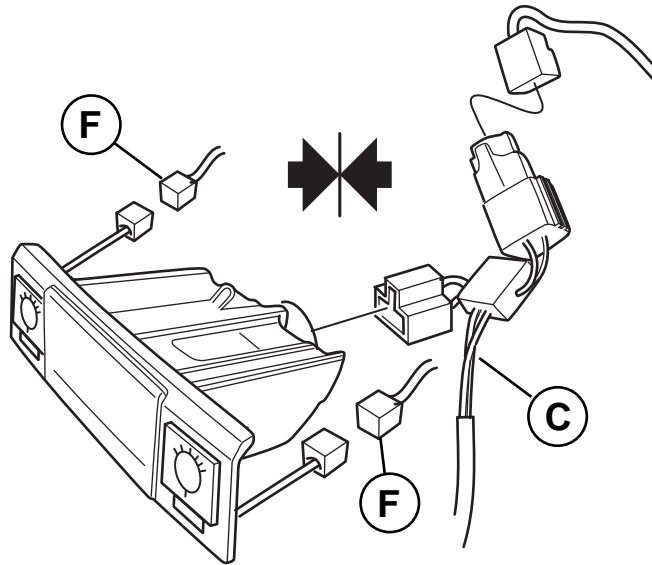
25



Note: Repeat on opposite side

26





32

NOTE: REVERSE STEPS 16-18,11 AND 1-9 FOR RE-INSTALLATION

NOTE: CYCLE ASHTRAY TO CONFIRM NO OBSTRUCTIONS.

33

- 5-6** Couple à 32 pi-livres pour la réinstallation
Esfuerzo de torsión a 32 pie-libras para la reinstalación
Drehkraft zu 32 Ftlbs für Wiedereinbau
Coppia di torsione a 32 ft-libbre per reinstallazione
- 9** Note : Employez l'article L pour réinstaller
Nota: Utilice el artículo L para reinstalarse
Anmerkung: Benutzen Sie Einzelteil L, um wieder zu installieren
Nota: Usi l'articolo L per reinstallare
- 10,13** Note : L'élément doit être porté sur le siège. L'espacement entre le bord de l'élément et l'arête intérieure de cushion/pad doit être égal au côté opposé.
Nota: El elemento se debe centrar en asiento. El espaciamento entre el borde del elemento y el canto interno de cushion/pad debe ser igual al lado opuesto.
Anmerkung: Element muß auf Sitz zentriert werden. Abstand zwischen Rand des Elements und innerer Kante von cushion/pad muß gegenüberliegender Seite gleich sein.
Nota: L'elemento deve essere concentrato sulla sede. Il gioco fra il bordo dell'elemento e la cresta interna di cushion/pad deve essere uguale al lato opposto.
- Enlevez le support adhésif avant l'installation
Quite el forro adhesivo antes de la instalación
Entfernen Sie anhaftenden Schutzträger vor Installation
Rimuova la protezione adesiva prima dell'installazione
- 14** Note : Employez l'article J pour attacher la courroie comme nécessaire
Nota: Utilice el artículo J para atar la correa según lo necesitado
Anmerkung: Benutzen Sie Einzelteil J, um Bügel zu binden, wie gebraucht
Nota: Usi l'articolo J per legare la cinghia come stata necessaria
- 20** Répétez les étapes 2-15 pour le côté opposé
Repita los pasos 2-15 para el lado opuesto
Wiederholen Sie Schritte 2-15 für gegenüberliegende Seite
Ripeti i punti 2-15 per il lato opposto
- 21** Calibre central sur la monture
Plantilla de centro sobre bisel
Mittelschablone auf Anzeigetafel
Mascherina concentra sull'incastonatura

21-26 Note : répétition pour le côté opposé
Nota: repetición para el lado opuesto
Anmerkung: Wiederholung auf gegenüberliegender Seite
Nota: Ripetizione dal lato opposto

25 Enlevez le support adhésif avant l'installation
Quite el forro adhesivo antes de la instalación
Entfernen Sie anhaftenden Schutzträger vor Installation
Rimuova la protezione adesiva prima dell'installazione

30 Conducteur
Conductor
Treiber
Driver

Passager
Pasajero
Passagier
Passeggero

33 Note : Étapes renversées 16-18, 11 et 1-9 pour la réinstallation
Nota: Pasos reversos 16-18, 11 y 1-9 para la reinstalación
Anmerkung: Rückschritte 16-18, 11 und 1-9 für Wiedereinbau
Nota: Punti d'inversione 16-18, 11 e 1-9 per reinstallazione

Note : Cendrier de cycle pour ne confirmer aucune obstruction.
Nota: Cenicero del ciclo para no confirmar ninguna obstrucción.
Anmerkung: Zyklusaschenbecher, zum keiner Hindernisse zu bestätigen
nota: portacenere del ciclo per non confermare ostruzioni



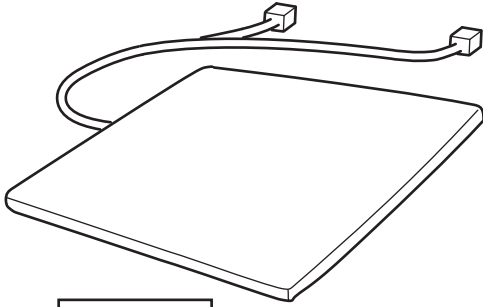
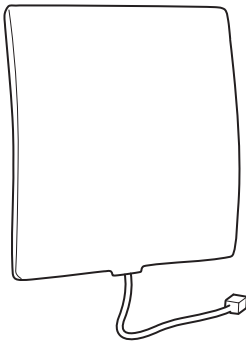
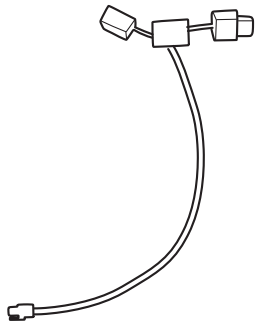
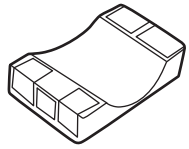
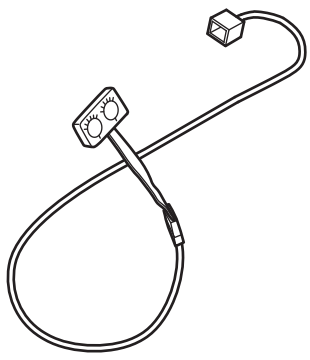
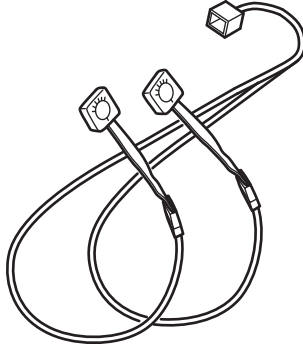

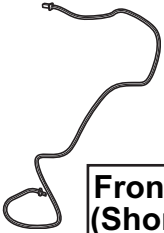



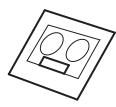





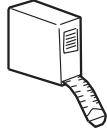
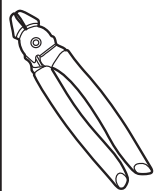
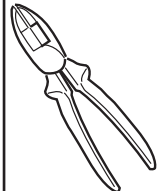
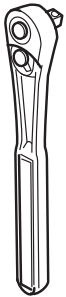

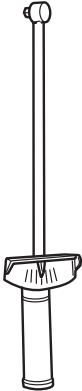


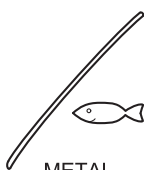



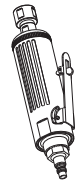
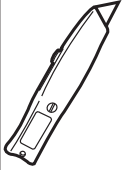

JEEP GRAND CHEROKEE

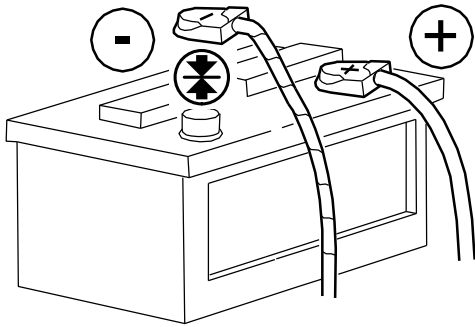
Front and / or Rear Heated Seat

JEEP COMMANDER

Front Heated Seat

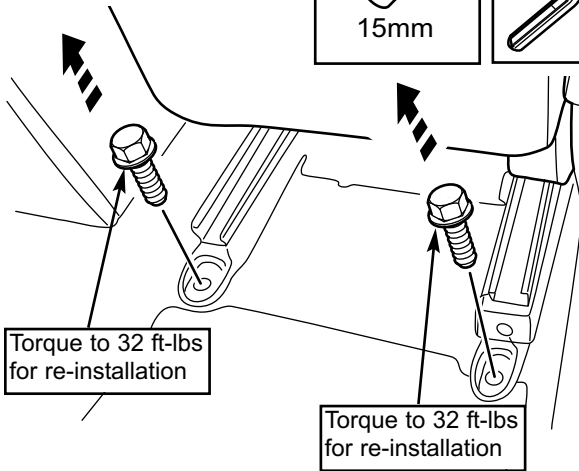
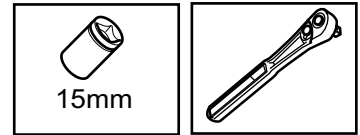


 <p>A Front 2x Rear 2x</p>		 <p>B Front 2x Rear 2x</p>		 <p>C Front 1x Rear 1x</p>						
 <p>D Front 1x Rear 1x</p>	 <p>F Rear 1x</p>		 <p>G Front 1x</p>		 <p>L Front 1x</p>					
 <p>E Front 2x (Shorter) Rear 2x (Longer)</p>	 <p>H Rear 1x</p>	 <p>I Front 2x</p>	 <p>J Front 10x Rear 10x</p>	 <p>K Rear 1x</p>	 <p>M Front 2x Rear 2x</p>					
				 <p>N Front 1x Rear 1x</p>	 <p>O Front 18x Rear 18x</p>					
										 <p>METAL</p>
		 <p>1/8"</p>			 <p>15mm</p>					



1

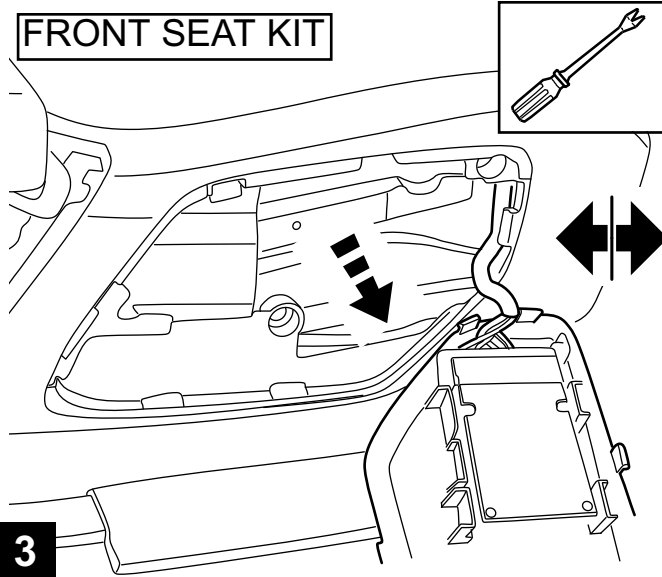
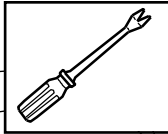
NOTE: REPEAT FOR OPPOSITE SIDE



2

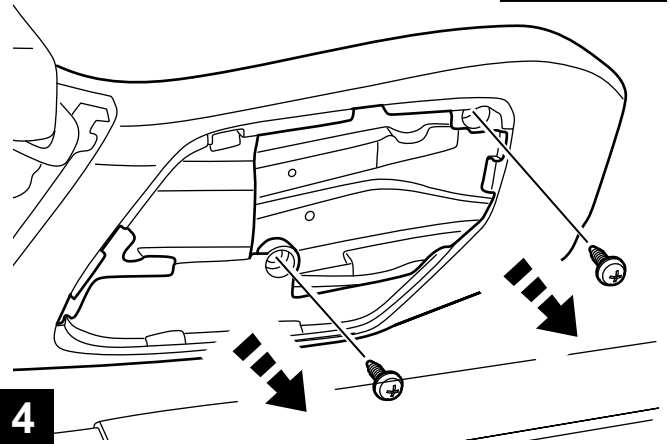
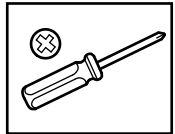
FRONT & REAR SEAT KITS

FRONT SEAT KIT

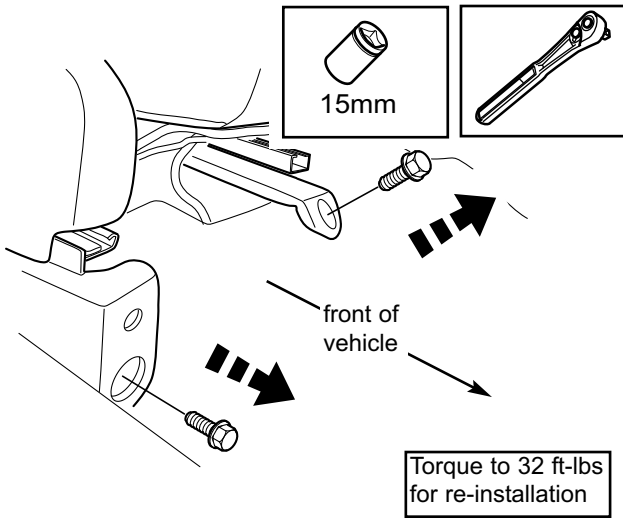
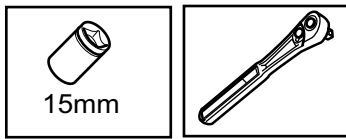


3

FRONT SEAT KIT



4

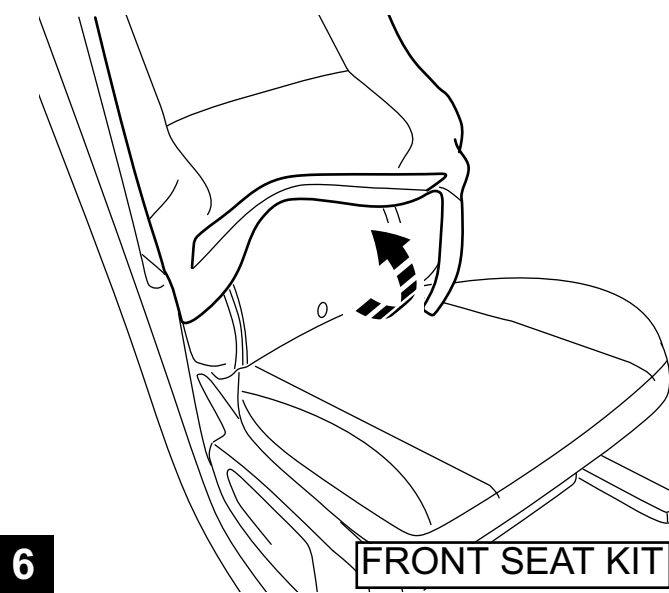


5

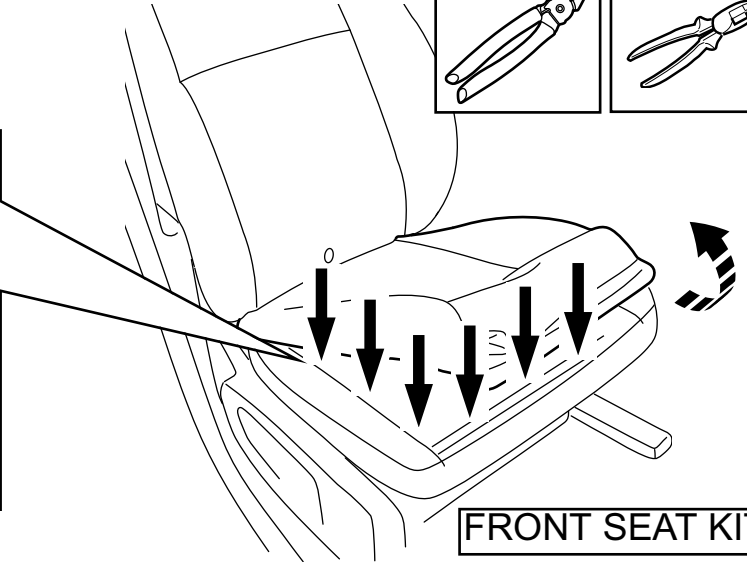
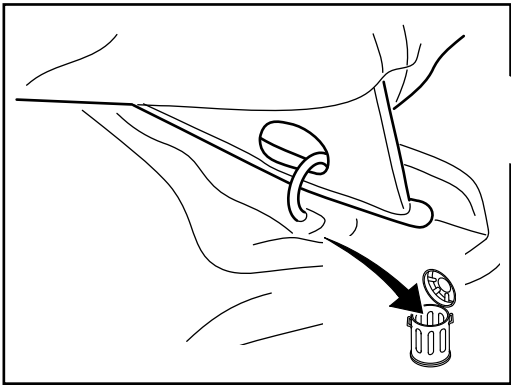
FRONT & REAR SEAT KITS

6

FRONT SEAT KIT



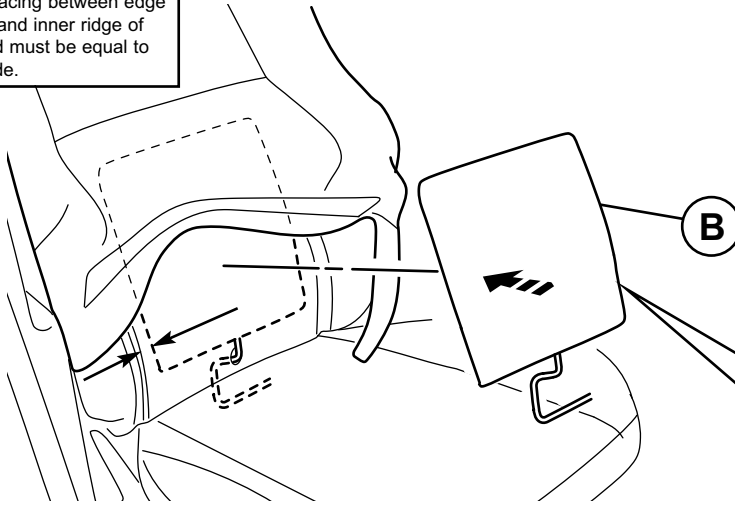
NOTE: USE ITEM O TO REINSTALL



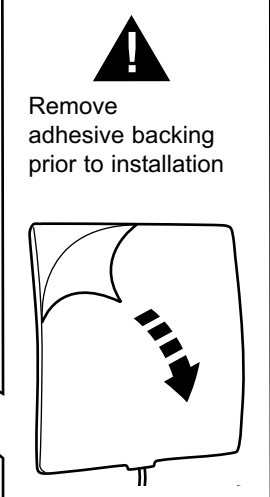
FRONT SEAT KIT

7

Note: Element must be centered on seat. Spacing between edge of element and inner ridge of cushion/pad must be equal to opposite side.



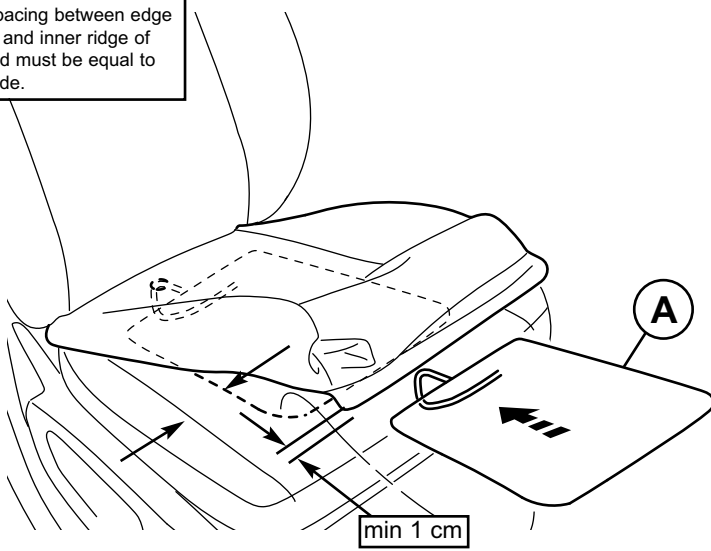
FRONT SEAT KIT



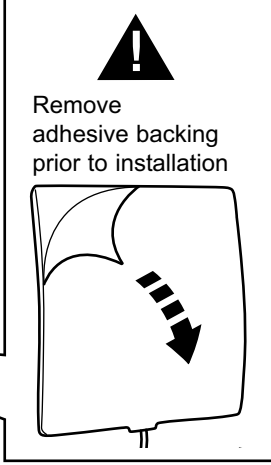
Remove adhesive backing prior to installation

8

Note: Element must be centered on seat. Spacing between edge of element and inner ridge of cushion/pad must be equal to opposite side.



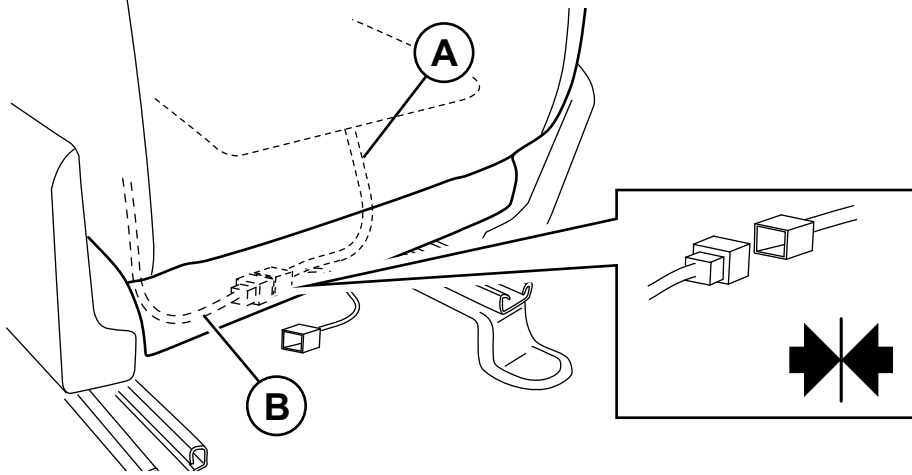
FRONT SEAT KIT



Remove adhesive backing prior to installation

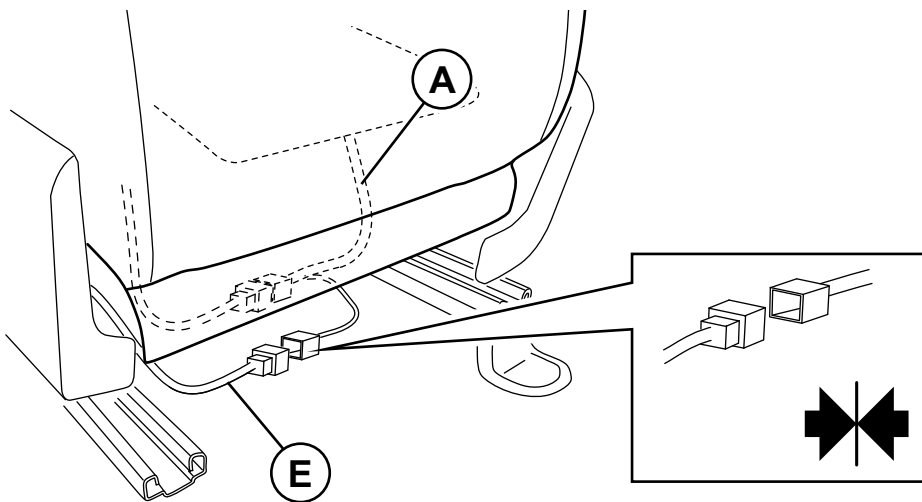
9

NOTE: USE ITEM J TO TIE STRAP AS NEEDED



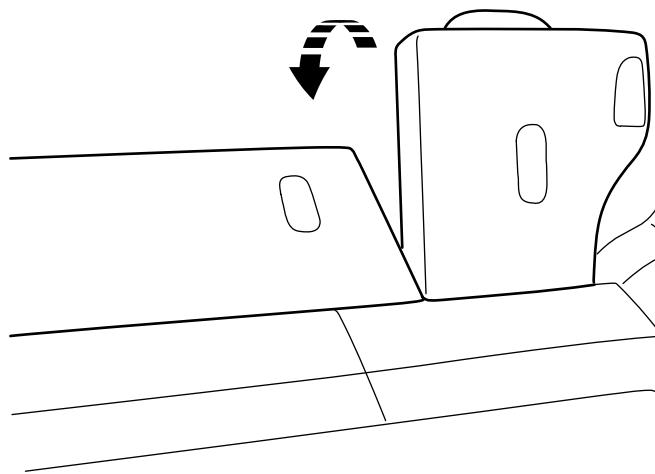
10

FRONT SEAT KIT



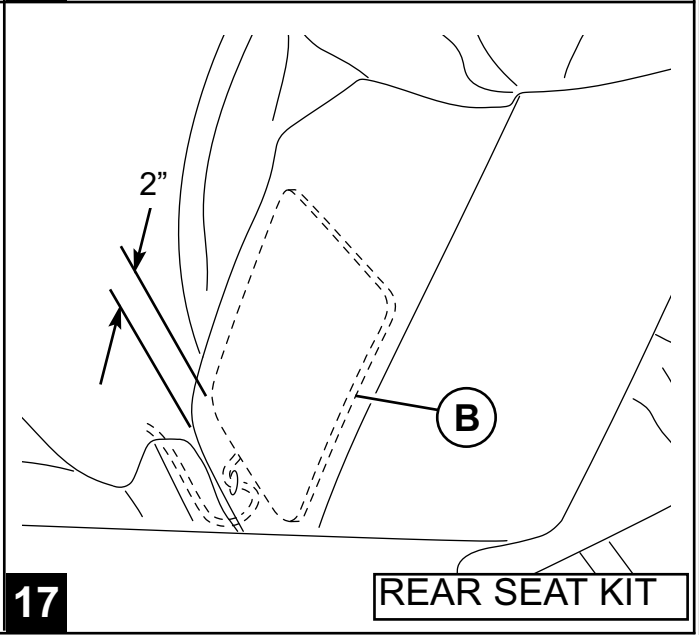
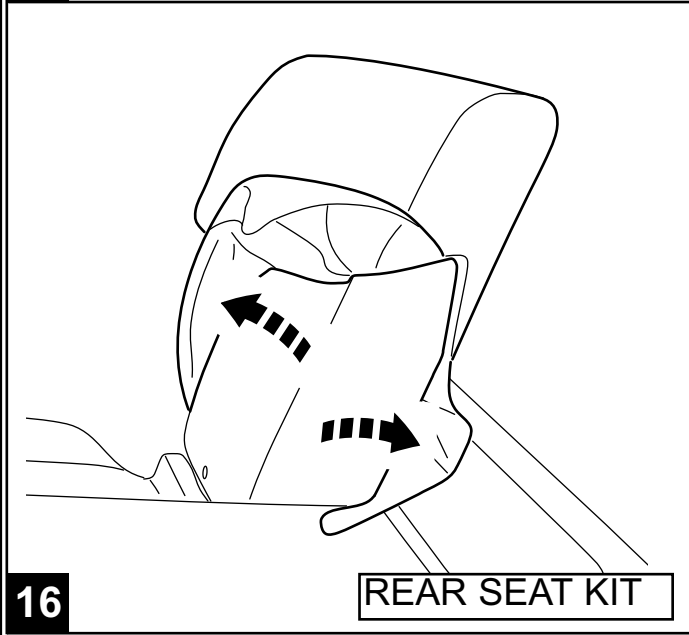
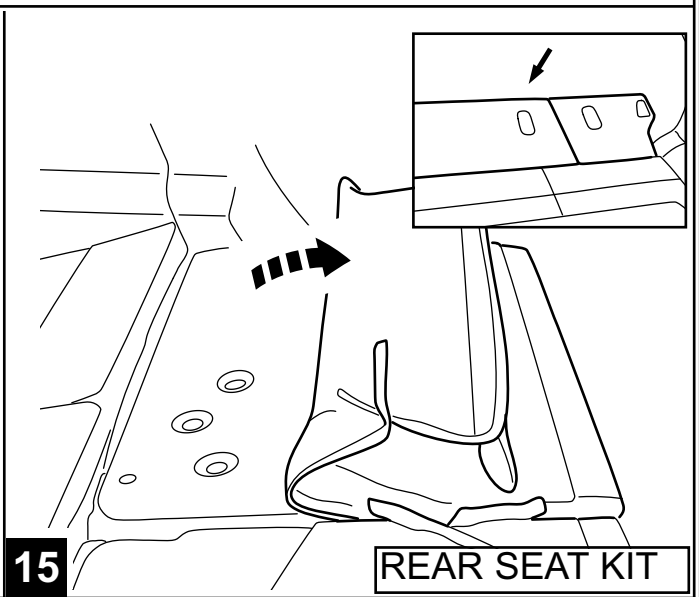
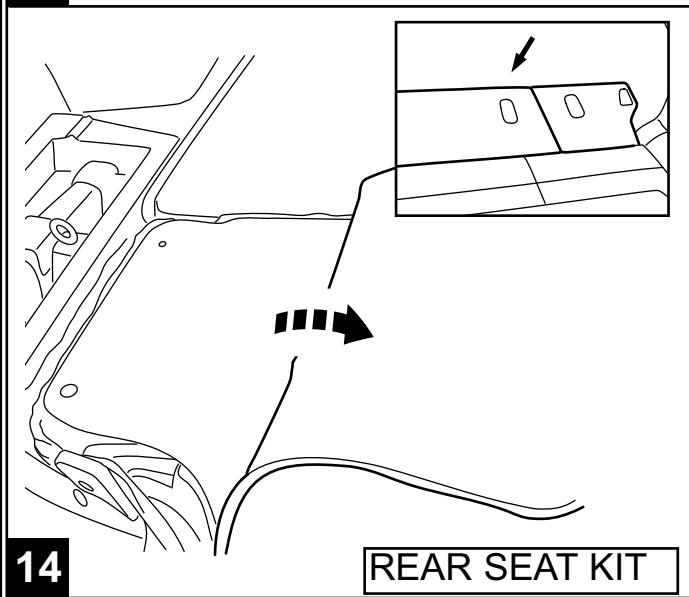
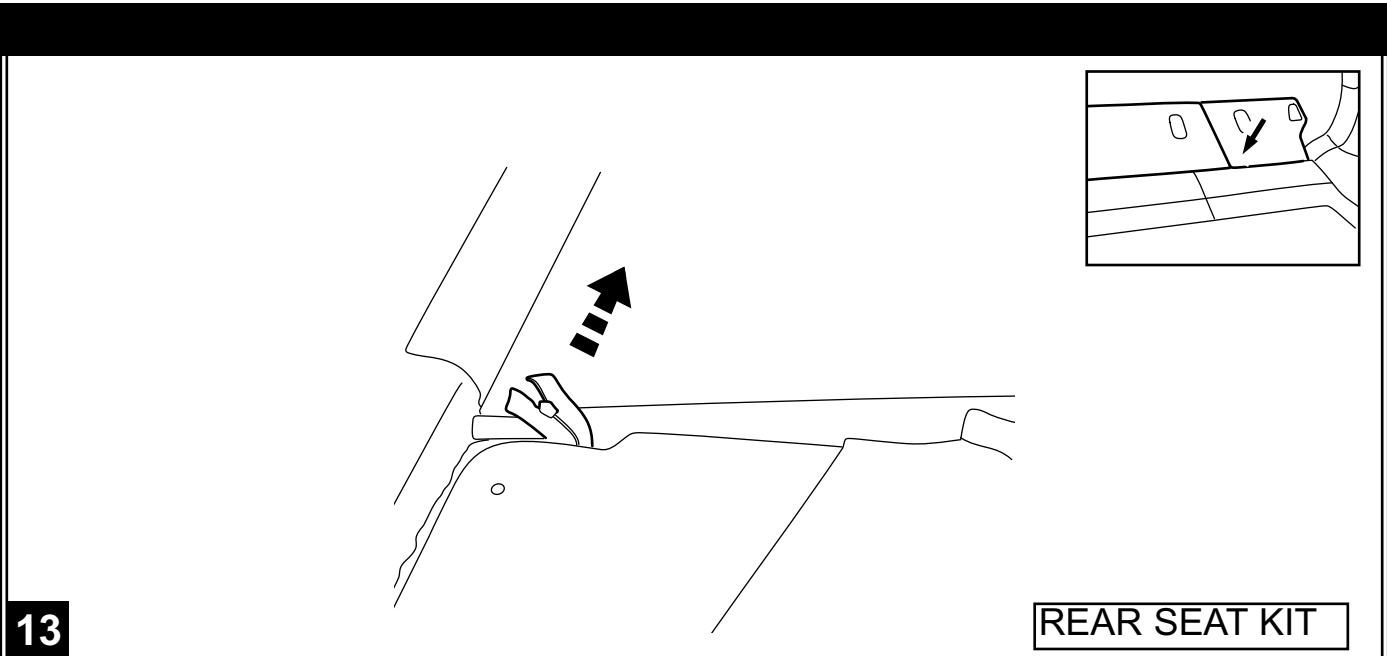
11

FRONT SEAT KIT



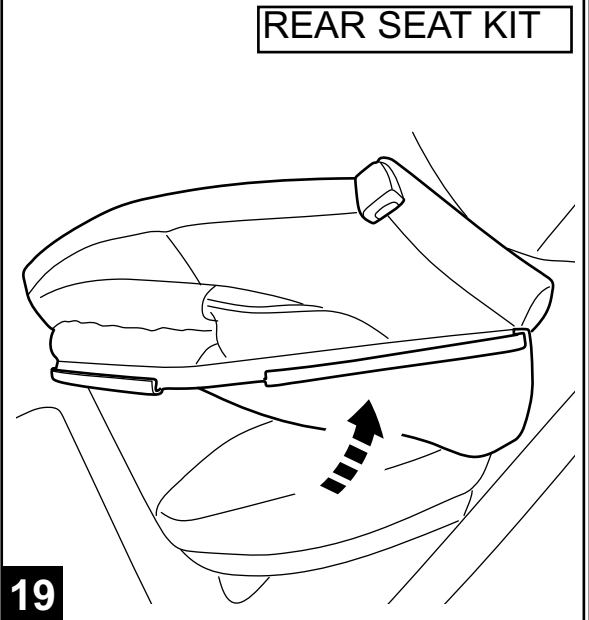
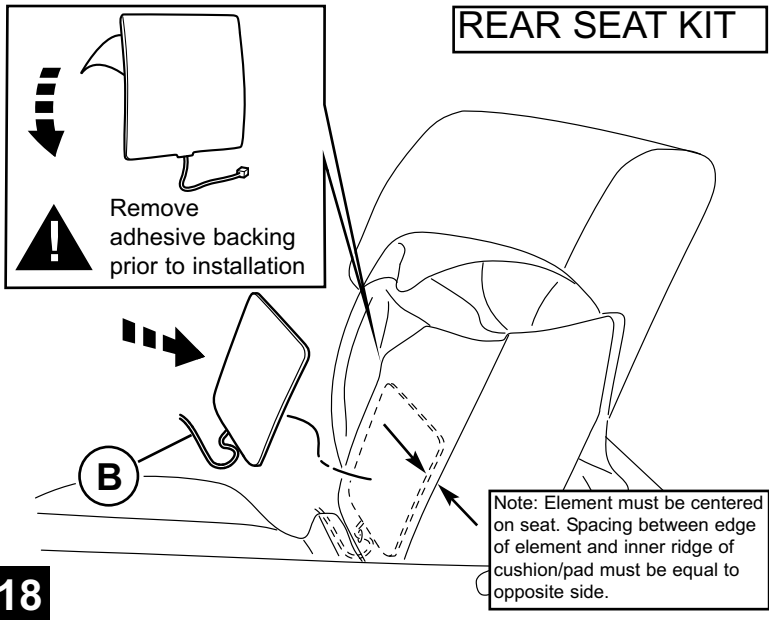
12

REAR SEAT KIT



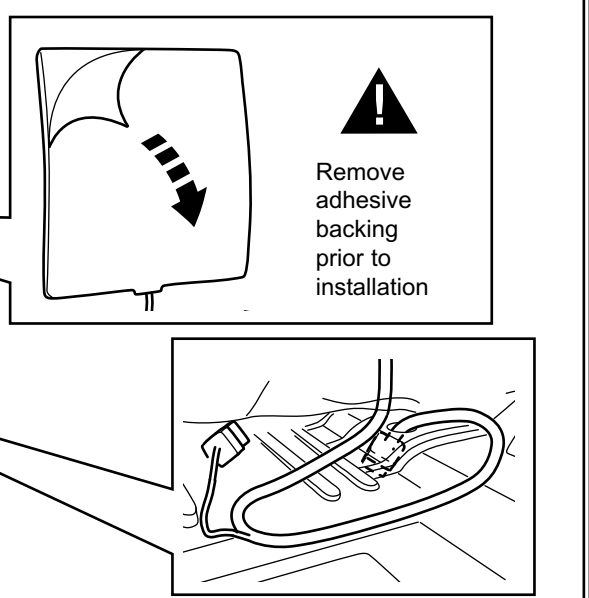
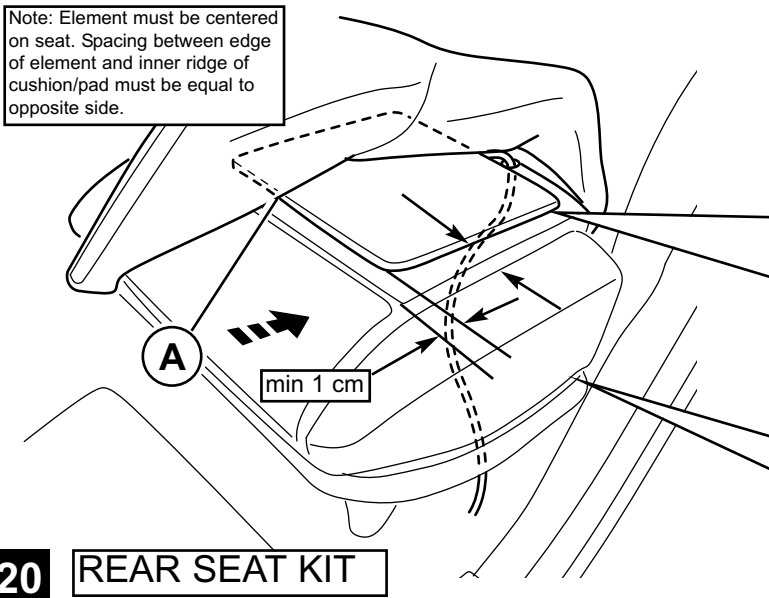
REAR SEAT KIT

REAR SEAT KIT



18

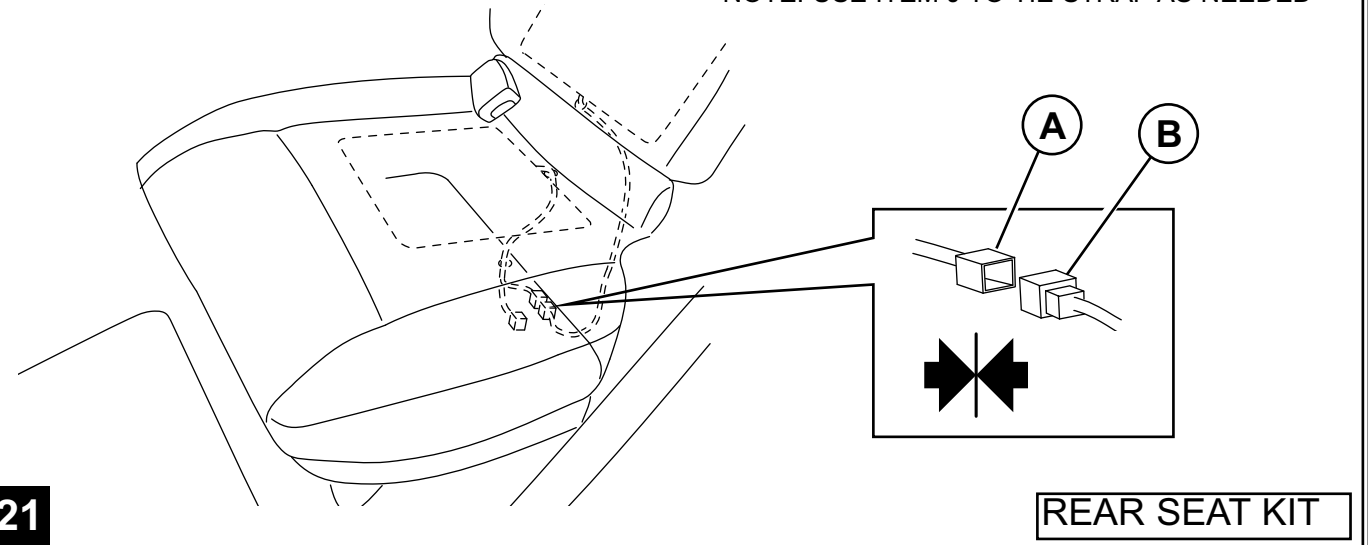
19



20

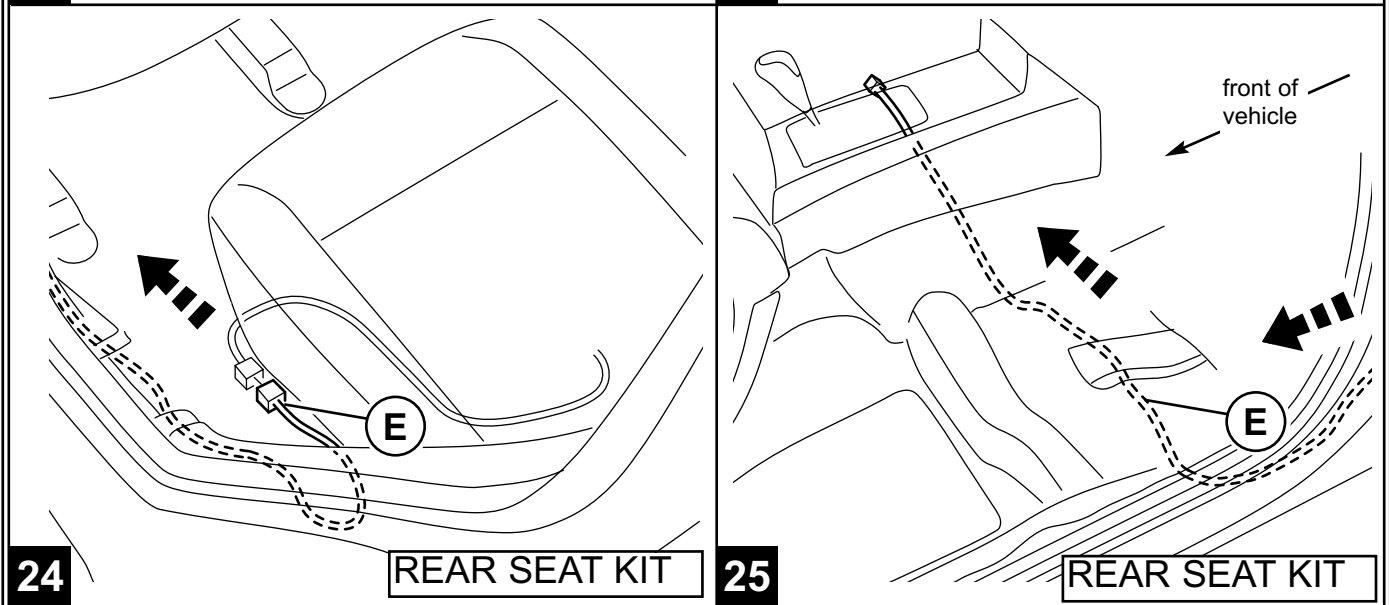
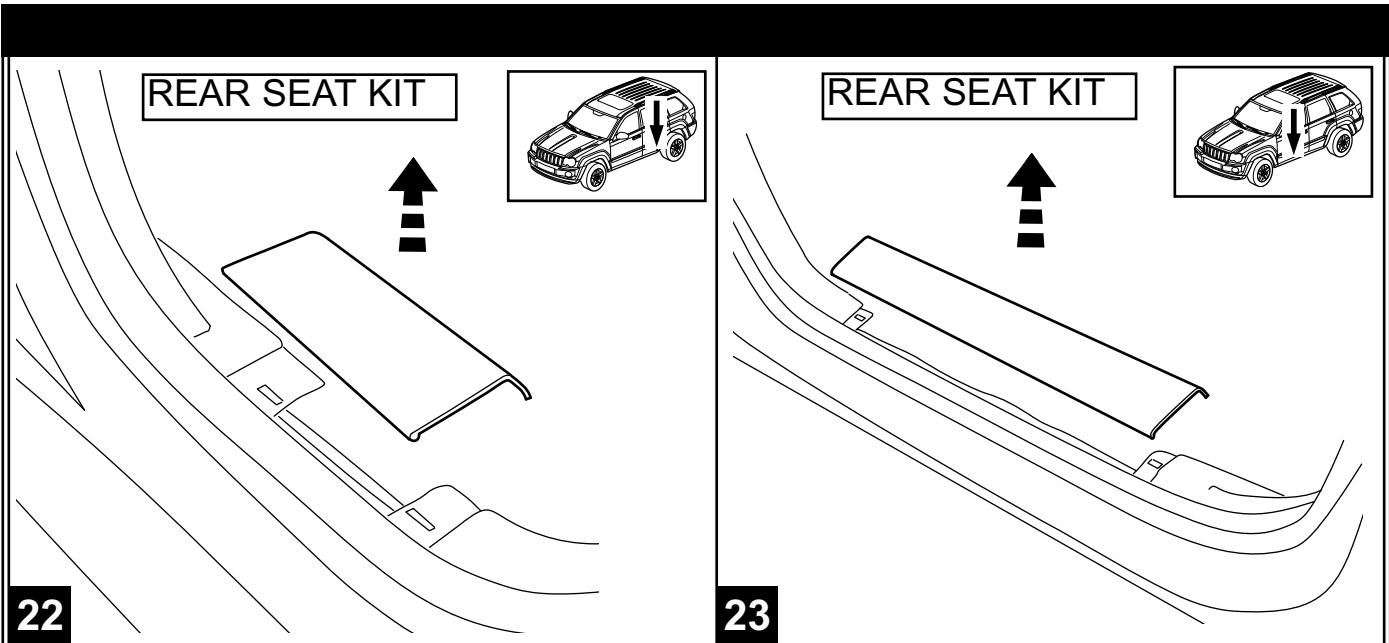
REAR SEAT KIT

NOTE: USE ITEM J TO TIE STRAP AS NEEDED



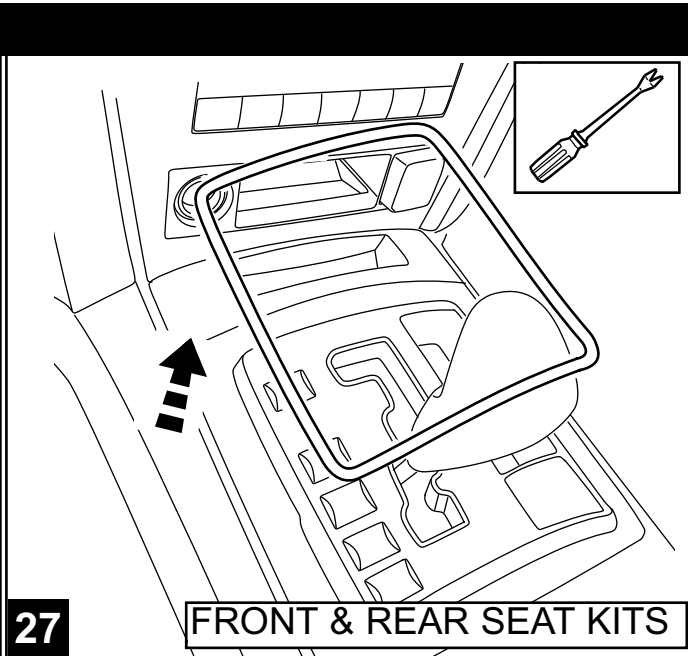
21

REAR SEAT KIT



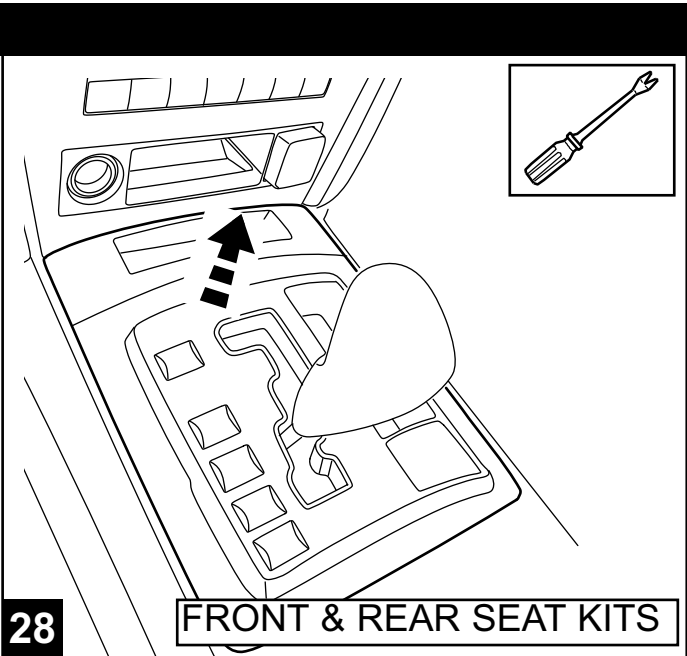
Repeat steps 2 - 25 for opposite side

26



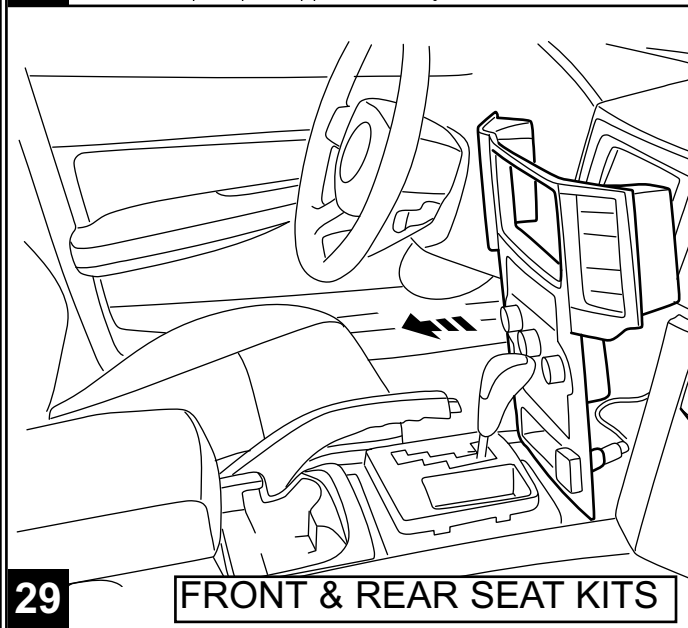
27

FRONT & REAR SEAT KITS



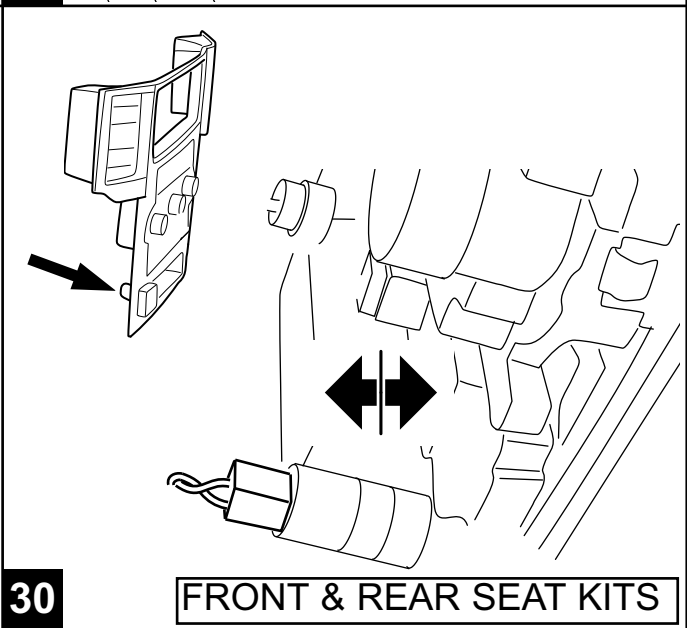
28

FRONT & REAR SEAT KITS



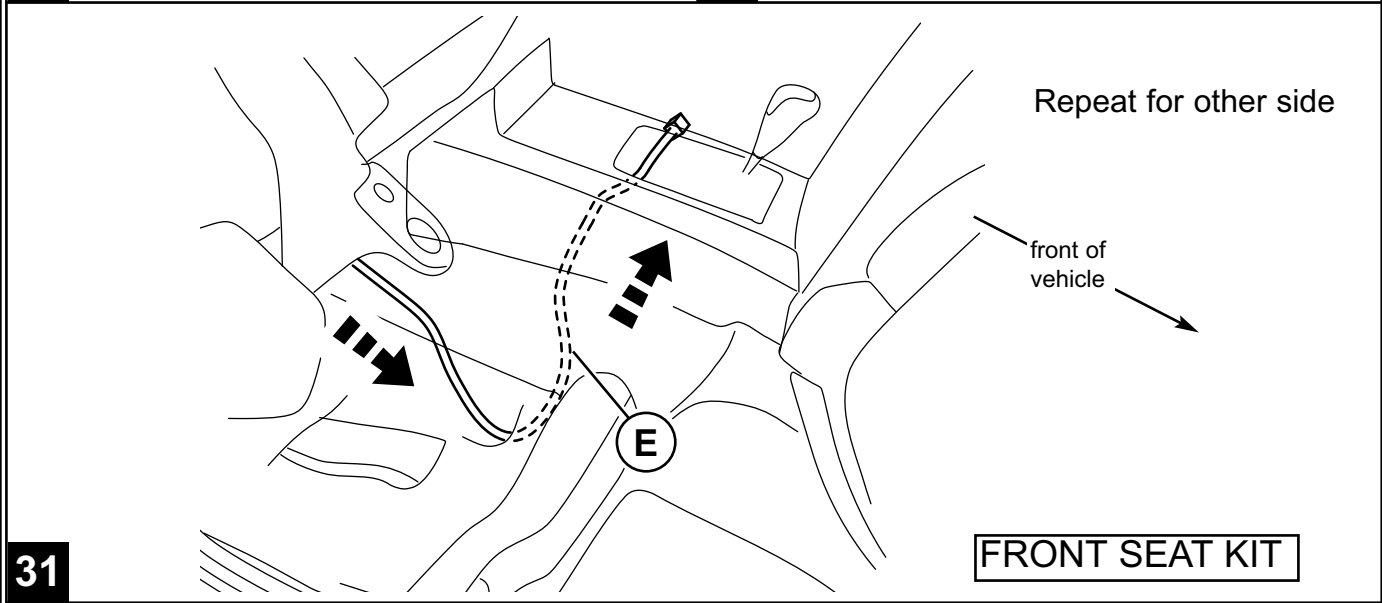
29

FRONT & REAR SEAT KITS



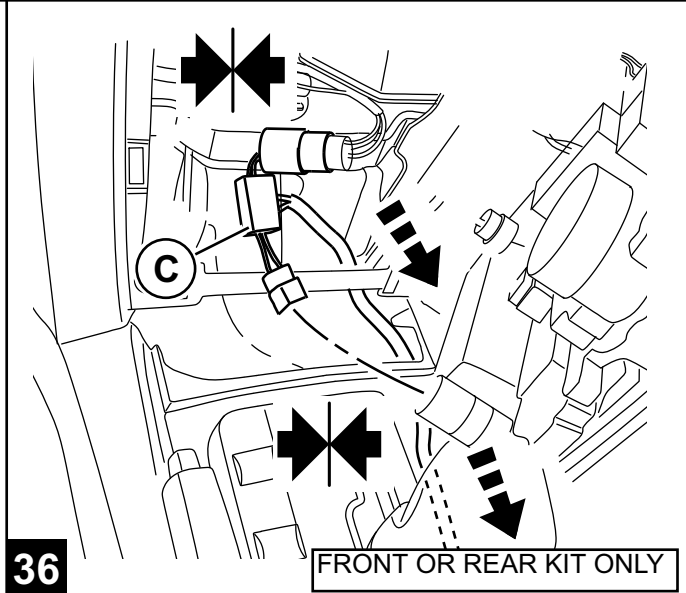
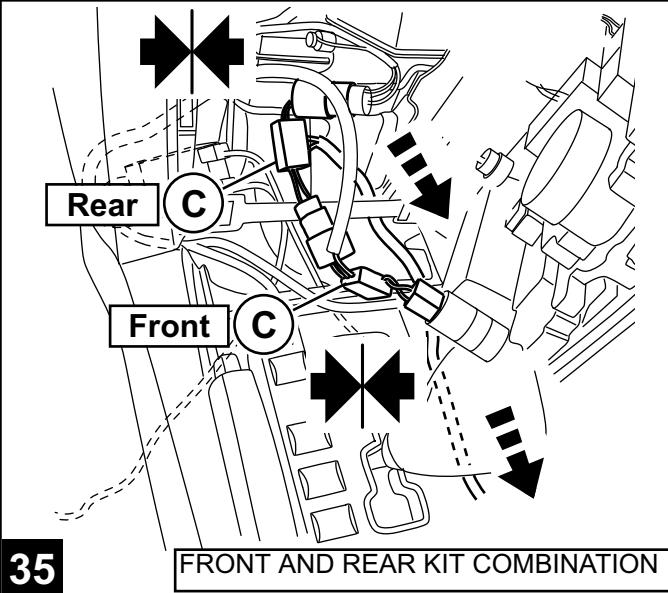
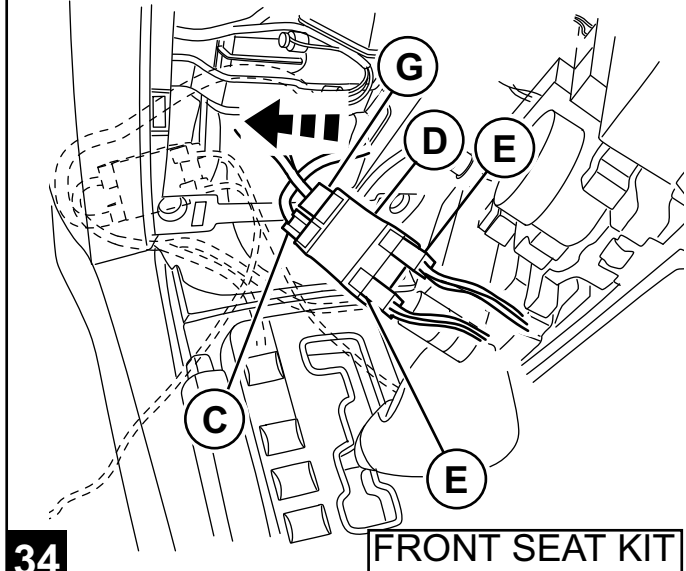
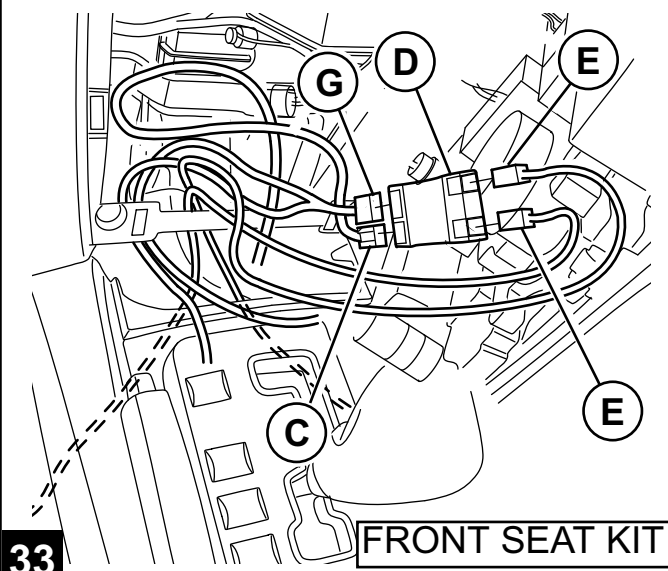
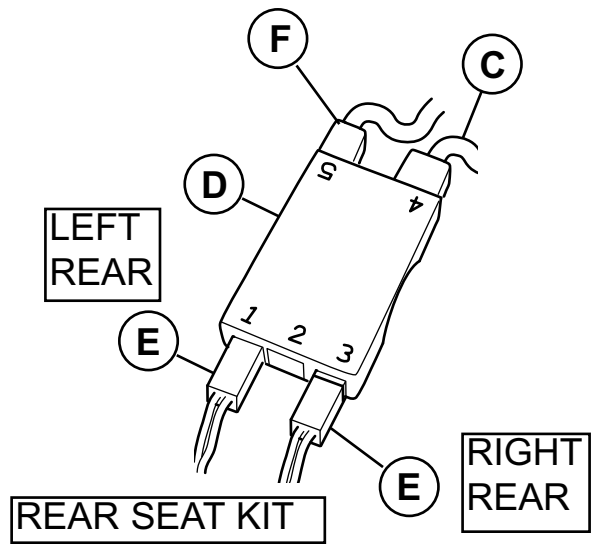
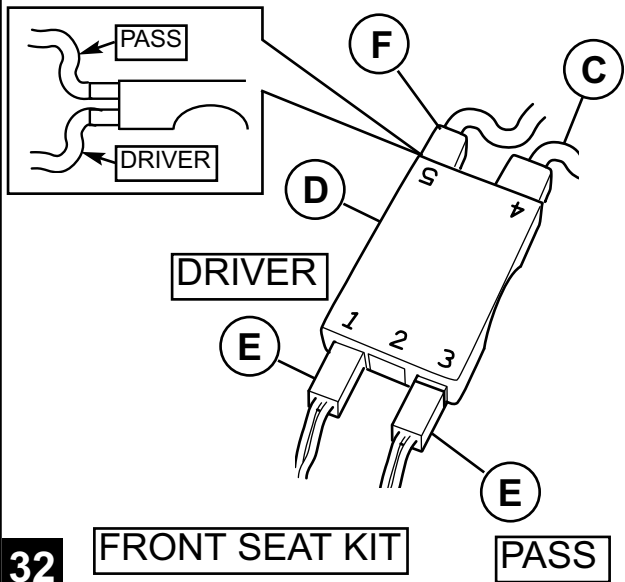
30

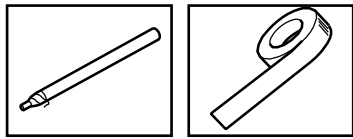
FRONT & REAR SEAT KITS



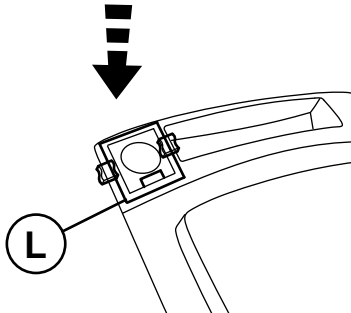
31

FRONT SEAT KIT



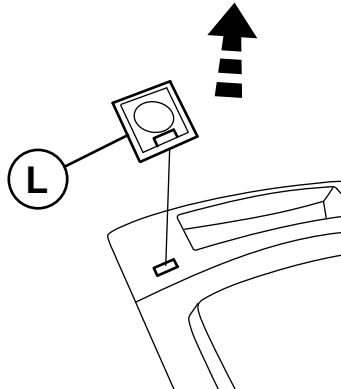


FRONT SEAT KIT



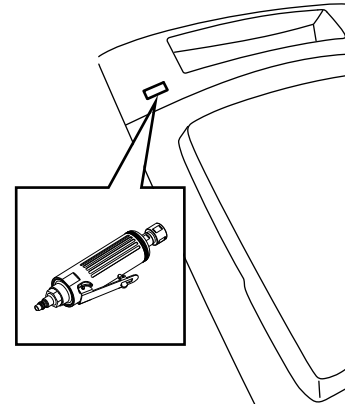
37 Repeat for other side

Repeat for other side



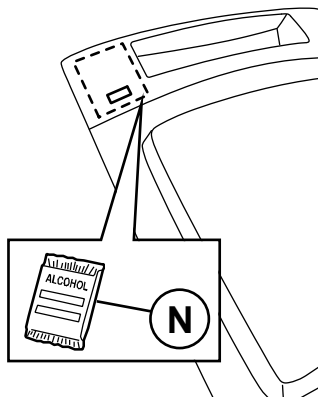
38 FRONT SEAT KIT

Repeat for other side



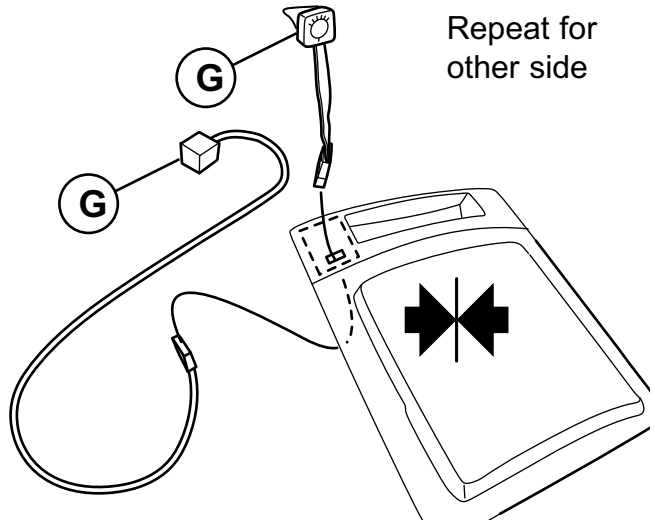
39 FRONT SEAT KIT

Repeat for other side



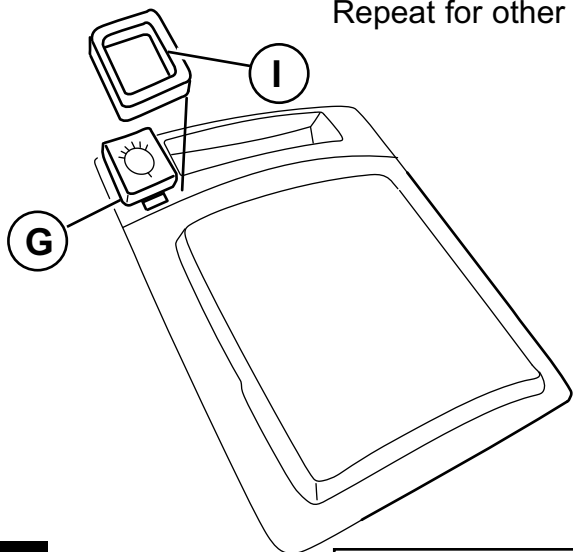
40 FRONT SEAT KIT

Repeat for other side

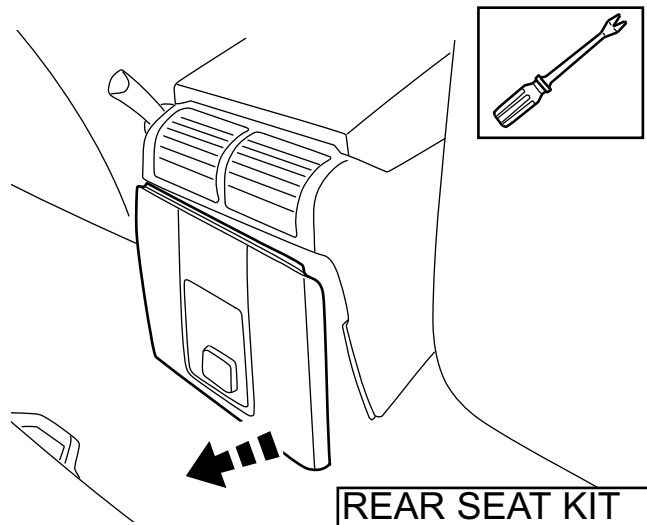


41 FRONT SEAT KIT

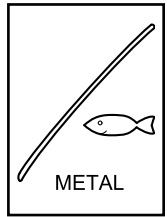
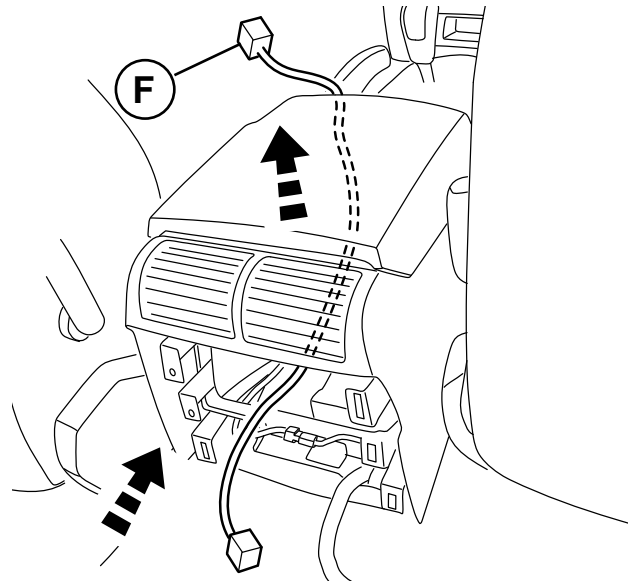
Repeat for other side



42 FRONT SEAT KIT

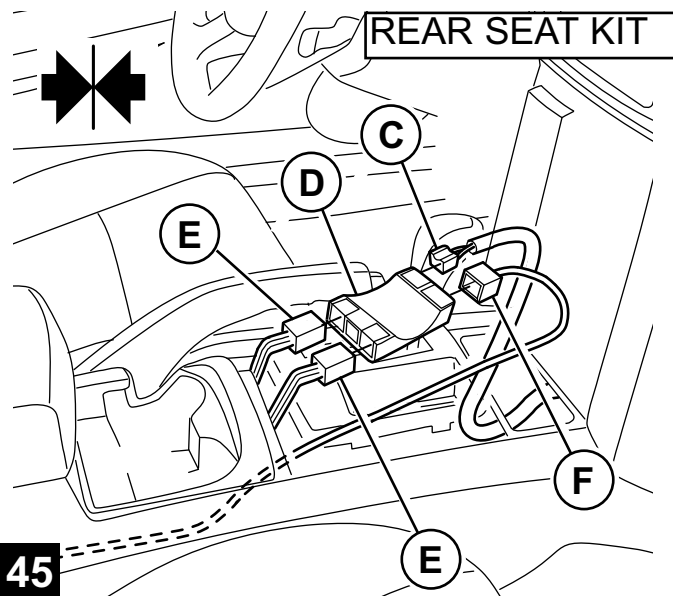


43 REAR SEAT KIT



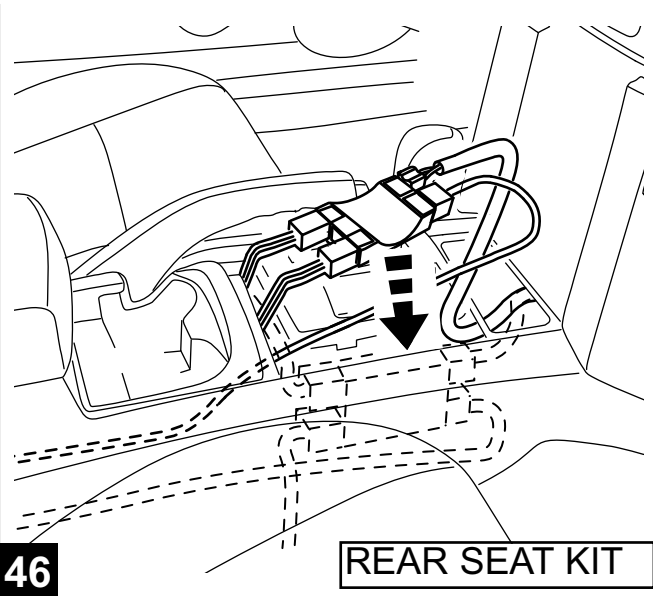
44

REAR SEAT KIT



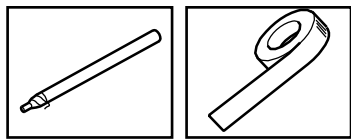
REAR SEAT KIT

45

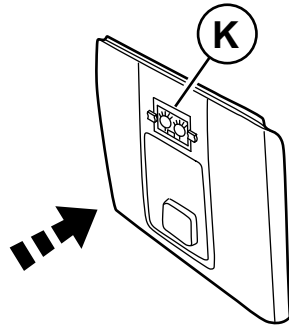


REAR SEAT KIT

46

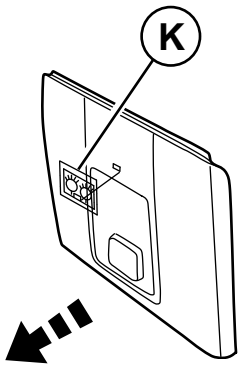


REAR SEAT KIT



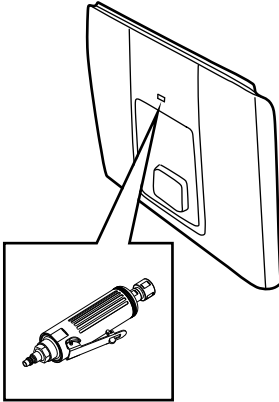
Center template onto bezel.

47



REAR SEAT KIT

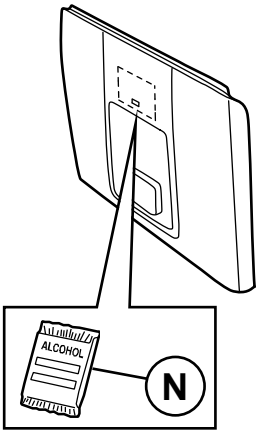
48



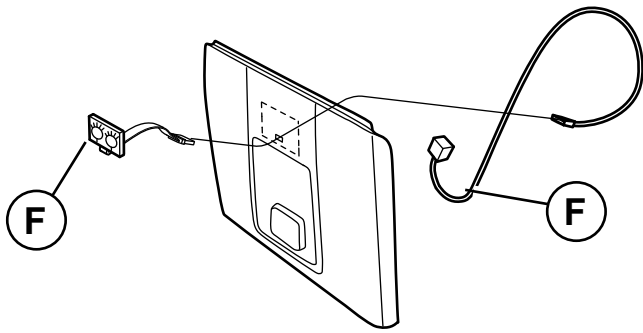
REAR SEAT KIT

49

REAR SEAT KIT



50

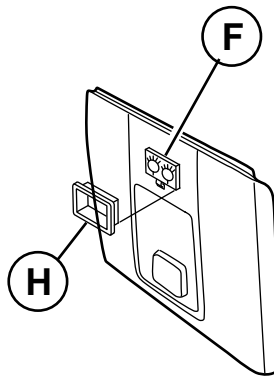


51

REAR SEAT KIT



REAR SEAT KIT



52

NOTE: REVERSE STEPS
43, 30-27, 23-22, 19, 16-12
AND 7-1 FOR RE-INSTAL-
LATION

53

A,B,C,D,M,N,J,O	avant frente Vorderseite parte anteriore	arrière parte posterior Hinterseite parte posteriore
------------------------	---	---

E	avant (plus court) frente (más corto) Vorderseite parte anteriore	arrière (plus longtemps) parte posterior (más de largo) Hinterseite parte posteriore
----------	--	---

F,H,K arrière
parte posterior
Hinterseite
parte posteriore

G,I,L avant
Frente
Vorderseite
parte anteriore

2 Note : répétition pour le côté oppose
Nota: repetición para el lado opuesto
Bemerkungen Sie: wiederholen Sie sich für die Gegenseite
Nota: ripetizione per il lato opposto

Couple à 32 pi-livres pour la reinstallation
Esfuerzo de torsión a 32 pie-libras para la reinstalación
Drehmoment Zu 32 ft-pfd. für die Wiederinstallierung
Coppia di torsione a 32 ft-libbre per installazione

5 Couple à 32 pi-livres pour la reinstallation
Esfuerzo de torsión a 32 pie-libras para la reinstalación
Drehmoment Zu 32 ft-pfd. für die Wiederinstallierung
Coppia di torsione a 32 ft-libbre per installazione

Avant de véhicule
Frente del vehículo
Vorderseite des Fahrzeugs
parte anteriore del veicolo

7 Note : Employez l'article O pour réinstaller
Nota: Utilice el artículo O para reinstalarse
Bemerkungen Sie: Gebrauch-Artikel O, um wiederzuinstallieren
Nota: Usi l'articolo O per installare

- 8,9,18,20** Note : L'élément doit être porté sur le siège. L'espace entre le bord de l'élément et l'arête intérieure de cushion/pad doit être égal au côté opposé.
Nota: El elemento se debe centrar en asiento. El espaciado entre el borde del elemento y el canto interno de cushion/pad debe ser igual al lado opuesto.
Bemerkungen Sie: Element muss auf den Sitz in den Mittelpunkt gestellt werden. Der Abstand zwischen dem Rand des Elements und inneren Kamms des Kissens/Polsters muss der Gegenseite gleich sein.
Nota: L'elemento deve essere concentrato sulla sede. Il gioco fra il bordo dell'elemento e la cresta interna di cushion/pad deve essere uguale al lato opposto.

Enlevez le support adhésif avant l'installation
Quite el forro adhesivo antes de la instalación
Entfernen Sie die klebende Unterst tztung vor der Installierung
Rimuova la protezione adesiva prima dell'installazione

- 10,21** Note : Employez l'article J pour attacher la courroie comme n cessaire
Nota: Utilice el art culo J para atar la correa seg n lo necesitado
Bemerkungen Sie: Gebrauch-Artikel J, um Riemen, wie erforderlich, zu binden
Nota: Usi l'articolo J per legare la cinghia come stata necessaria

- 26** R p tez les  tapes 2-25 pour le c t  oppose
Repita los pasos 2-25 para el lado opuesto
Wiederholen Sie Schritte 2-25 f r die Gegenseite
Ripeti i punti 2-25 per il lato opposto

- 31,37,38,39,40,41,42** R p tition pour l'autre c t 
Repetici n para el otro lado
Wiederholen Sie sich f r andere Seite
Ripetizione per l'altro lato

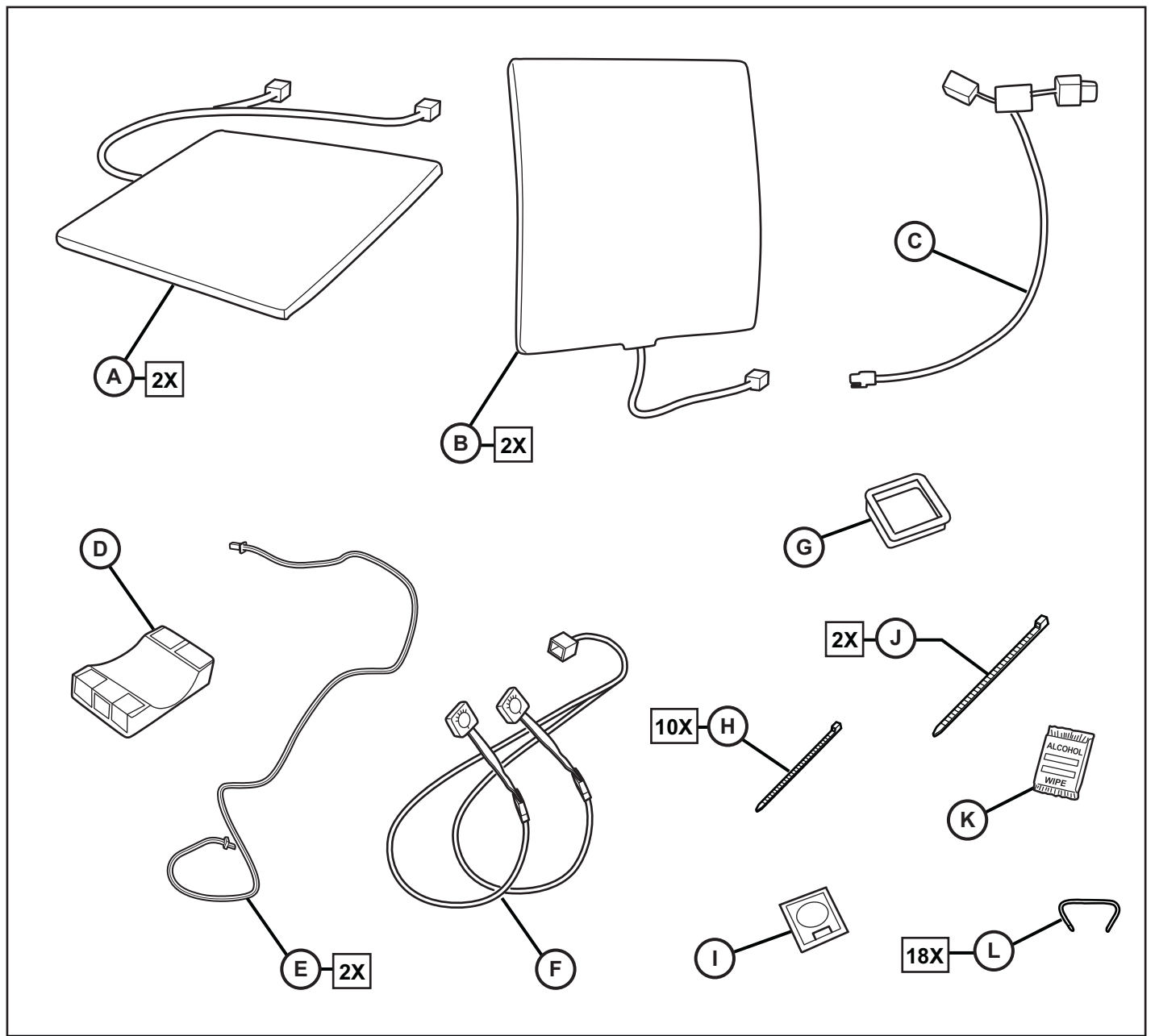
- 47** Calibre central sur la monture
Plantilla de centro sobre bisel
Zentrum-Schablone auf die Anzeigetafel
Mascherina concentra sull'incastratura

- 53** Note :  tapes renvers es 43, 30-27, 23-22, 19, 16-12 et 7-1 pour la reinstallation
Nota: Pasos reversos 43, 30-27, 23-22, 19, 16-12 y 7-1 para la instalaci n
Bemerkungen Sie: R ckseite geht 43, 30-27, 23-22, 19, 16-12 und 7-1 f r die Wiederinstallation
Nota: Punti d'inversione 43, 30-27, 23-22, 19, 16-12 e 7-1 per reinstallazione

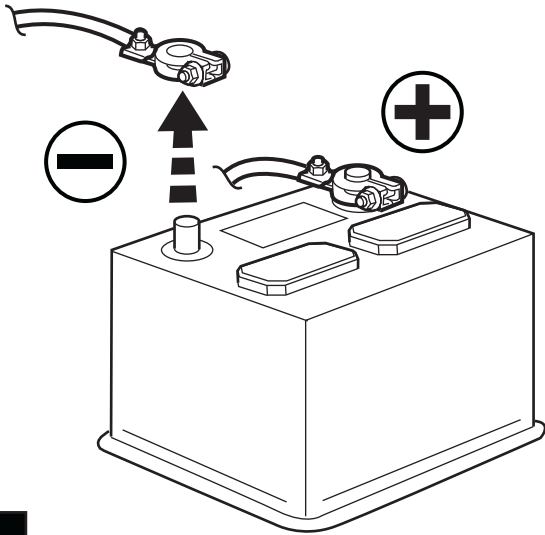


2006-2008 DODGE RAM - CLOTH BUCKET SEATS ONLY
2009 DODGE RAM - CLOTH & LEATHER BUCKET SEATS

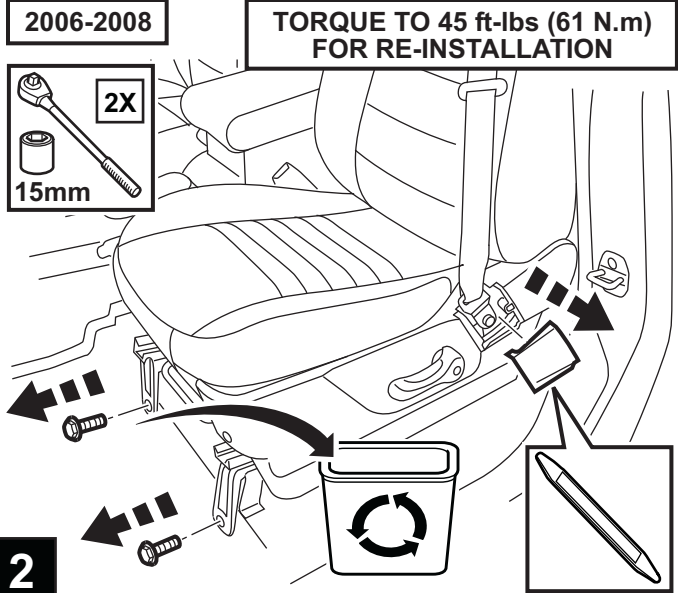
Front Heated Seats CE



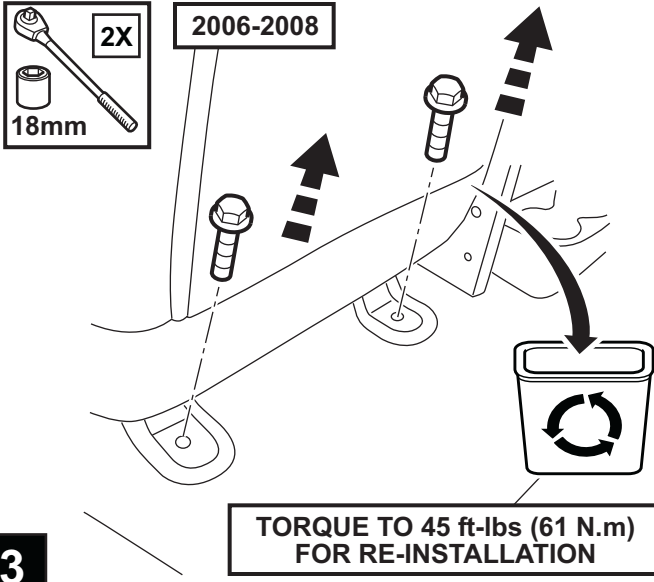
					 7mm 15mm 18mm		 METAL
		 1/8"					



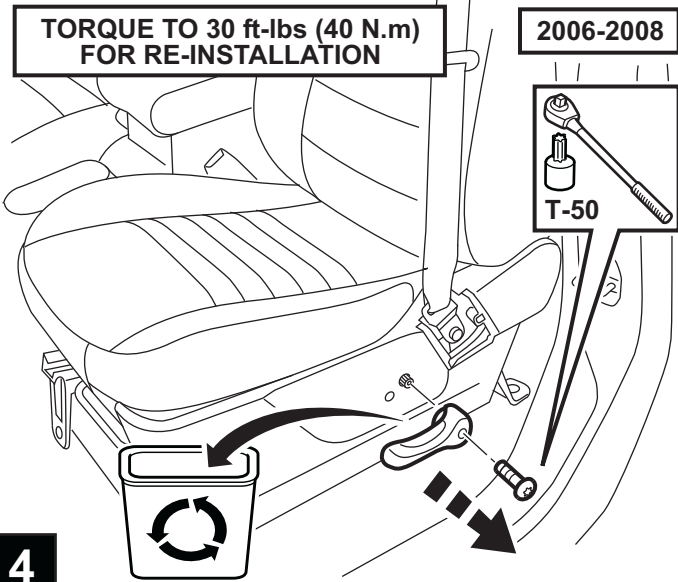
1



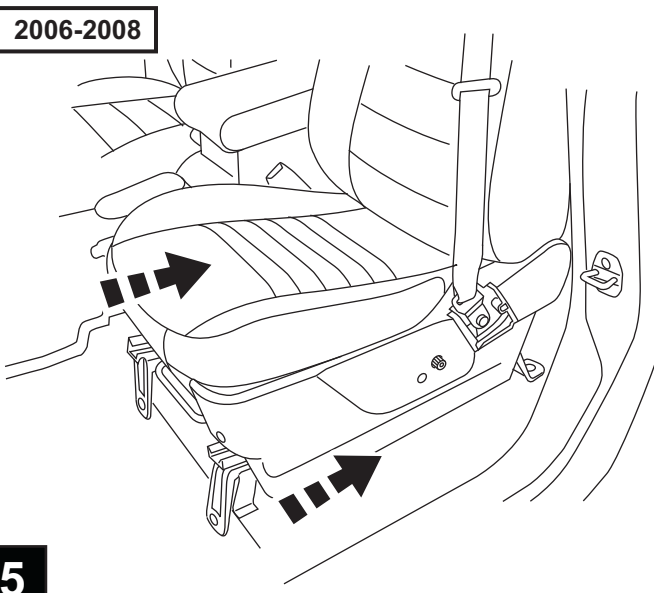
2



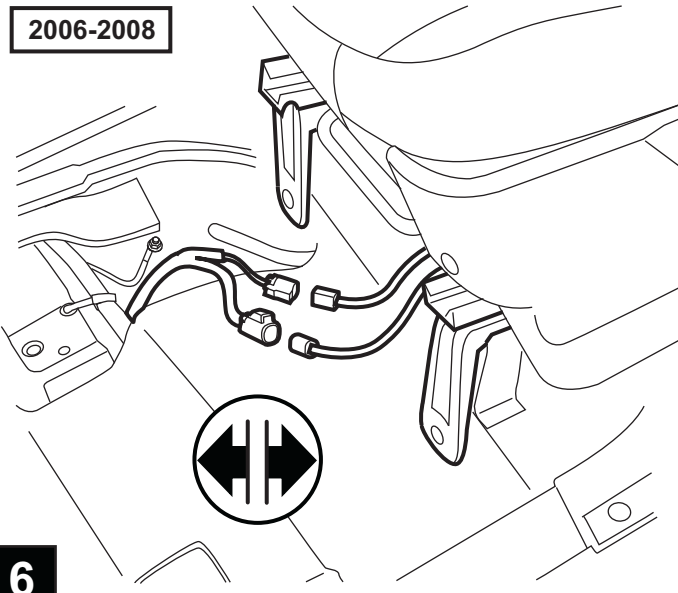
3



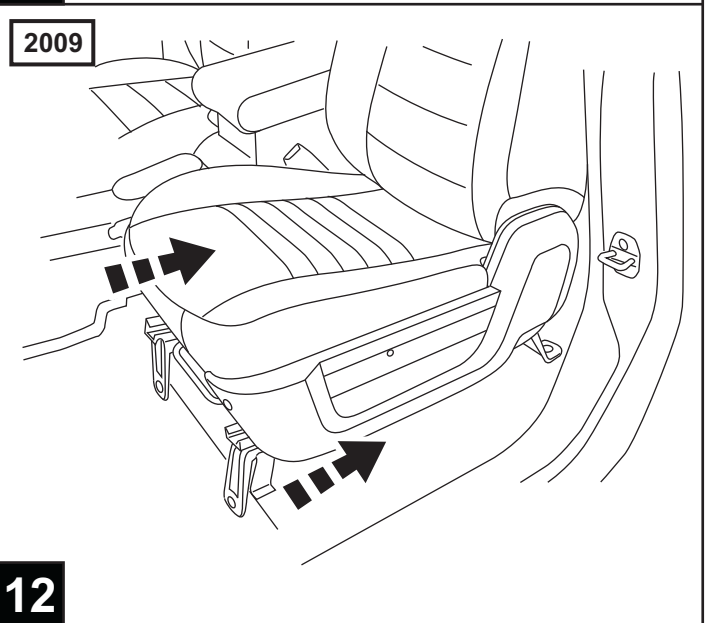
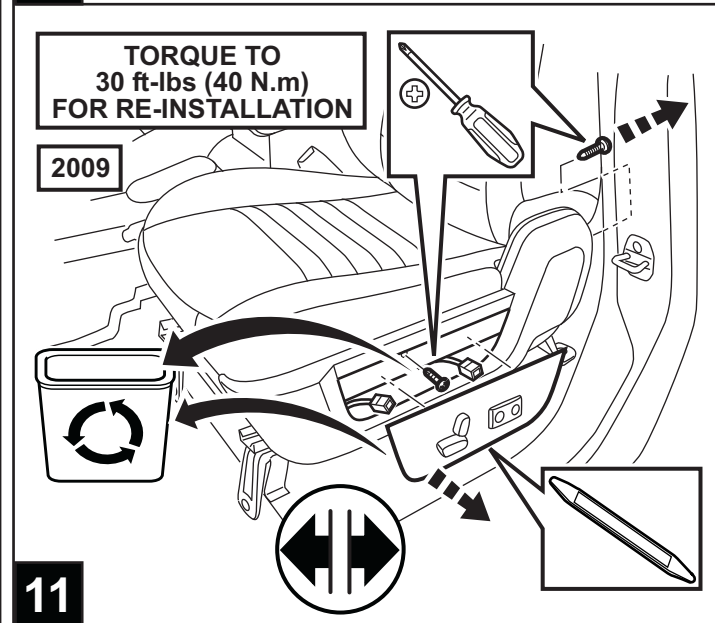
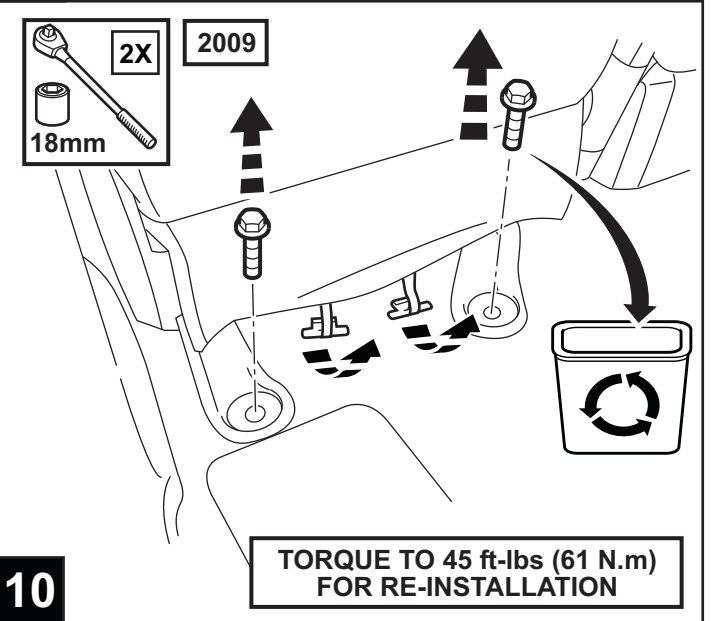
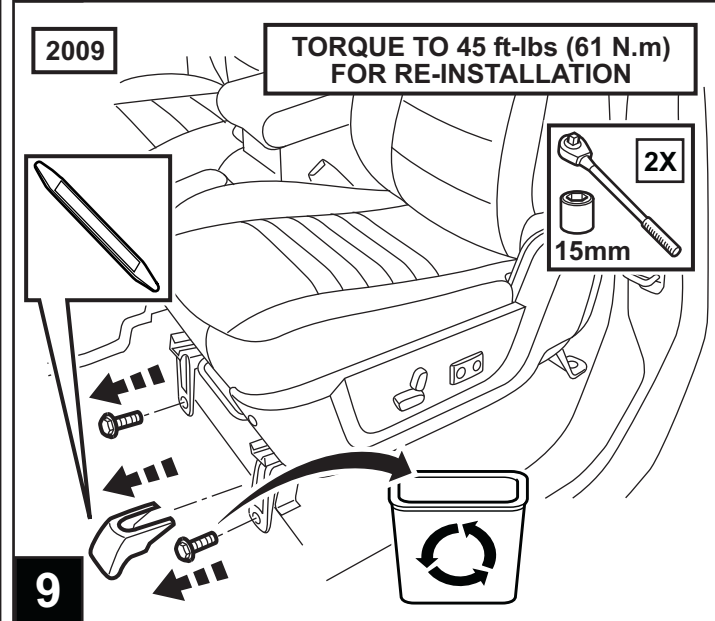
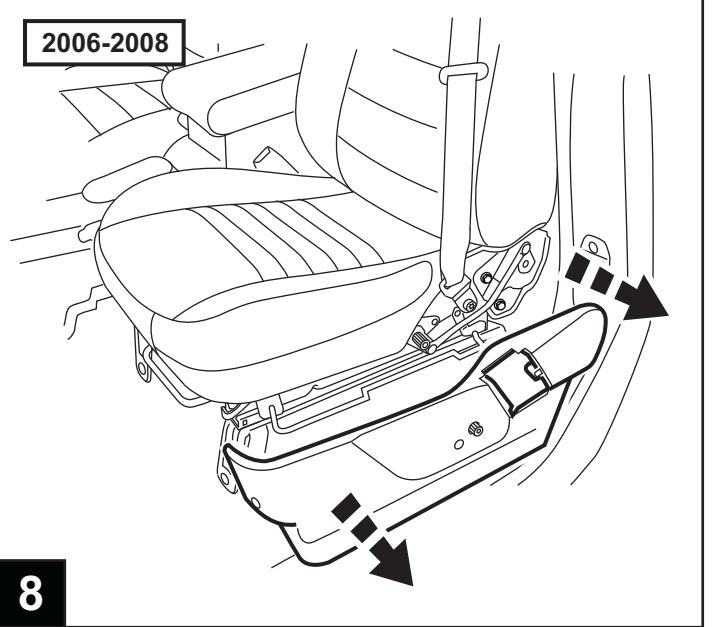
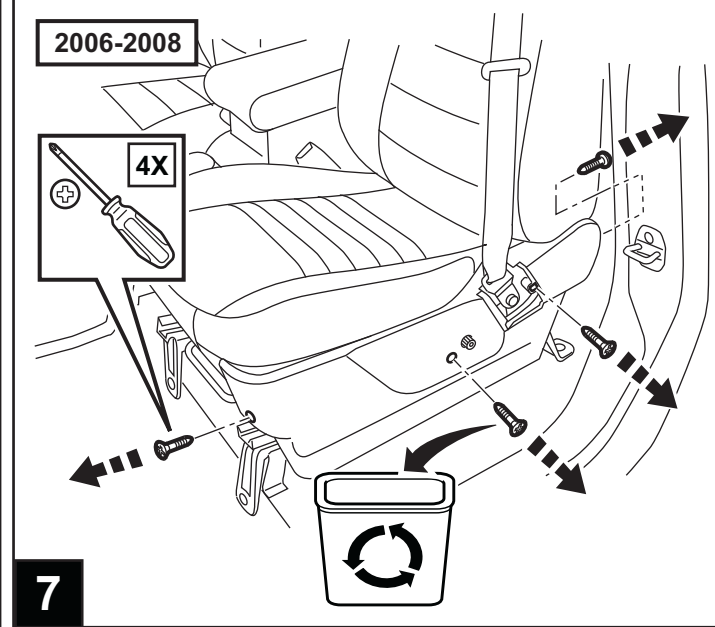
4



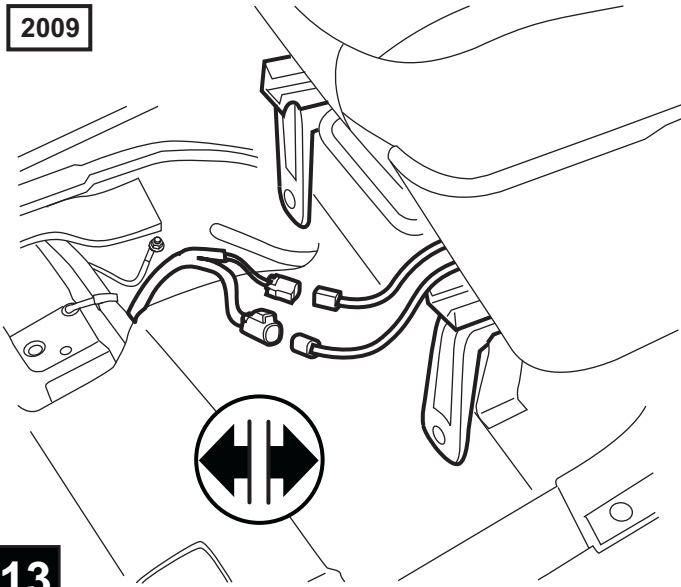
5



6

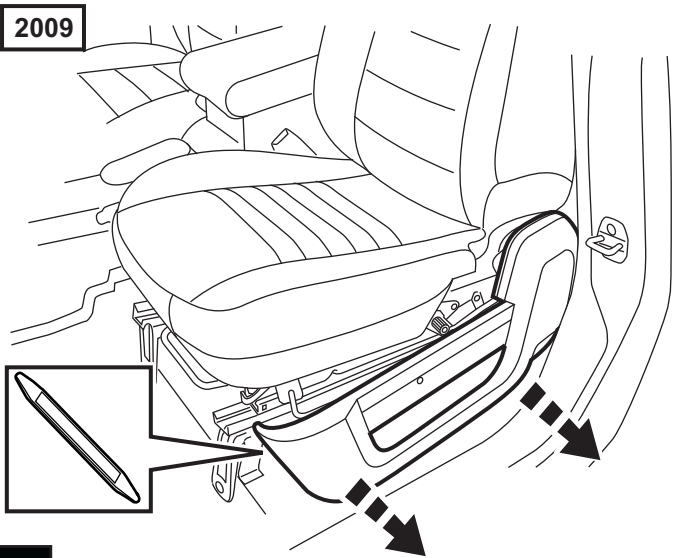


2009

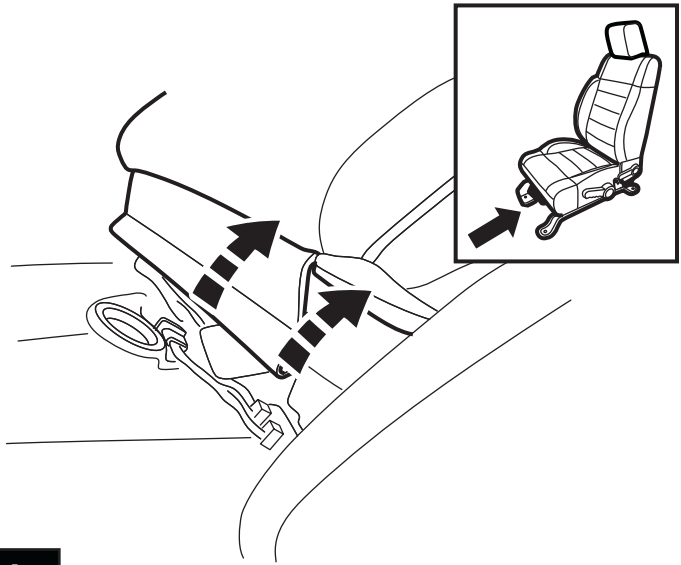


13

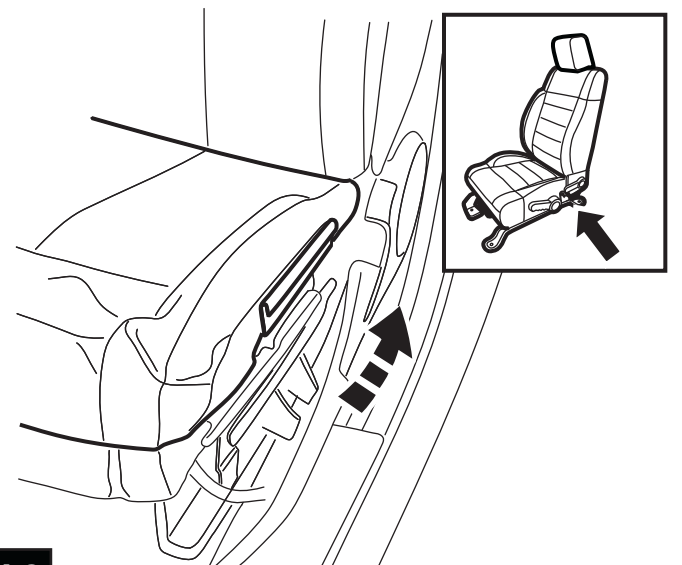
2009



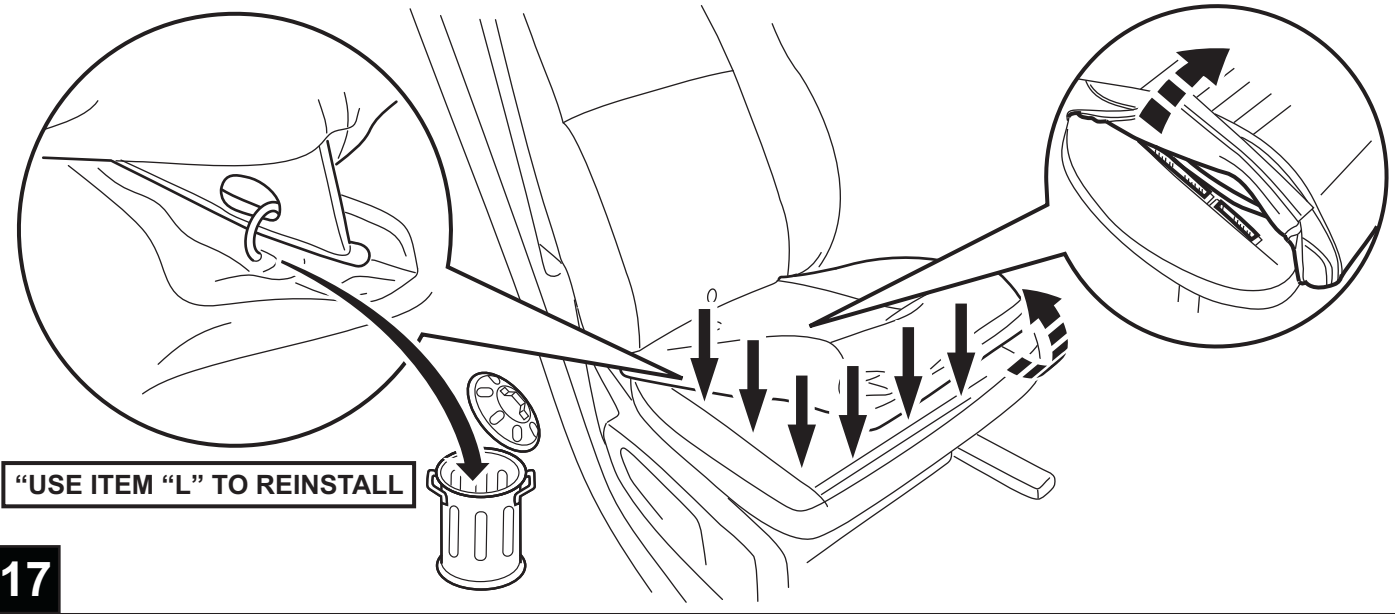
14



15

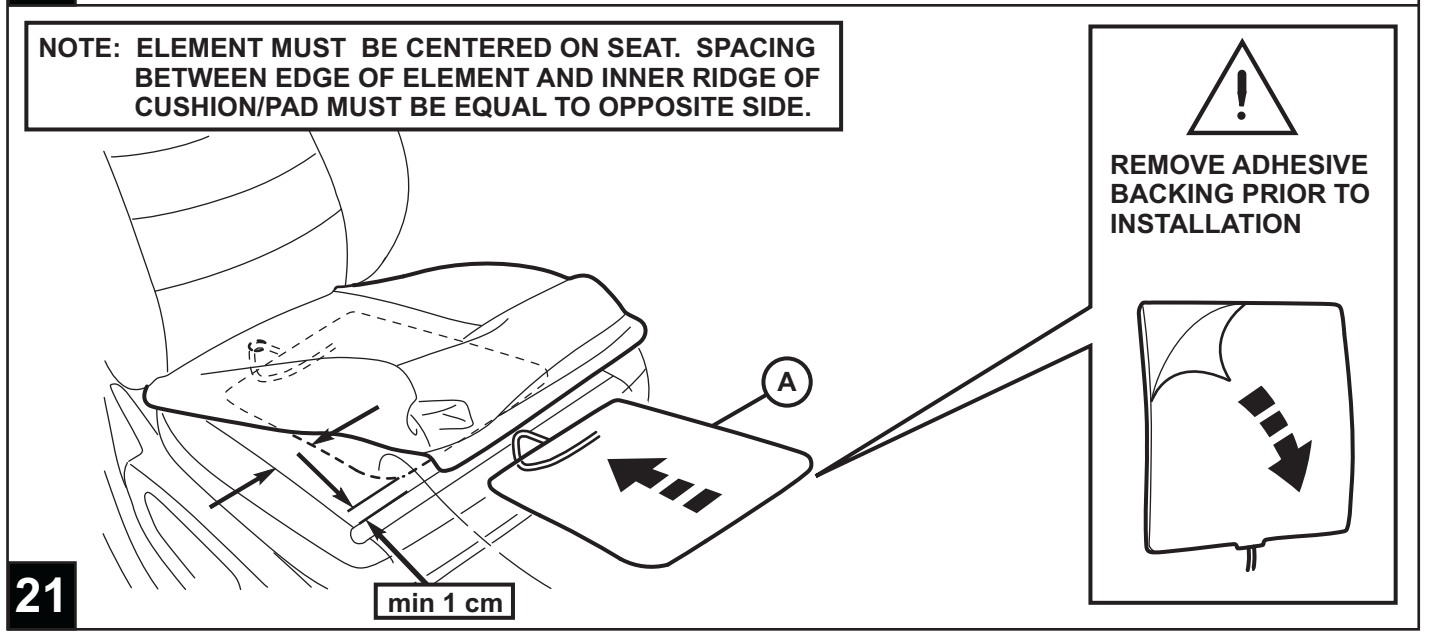
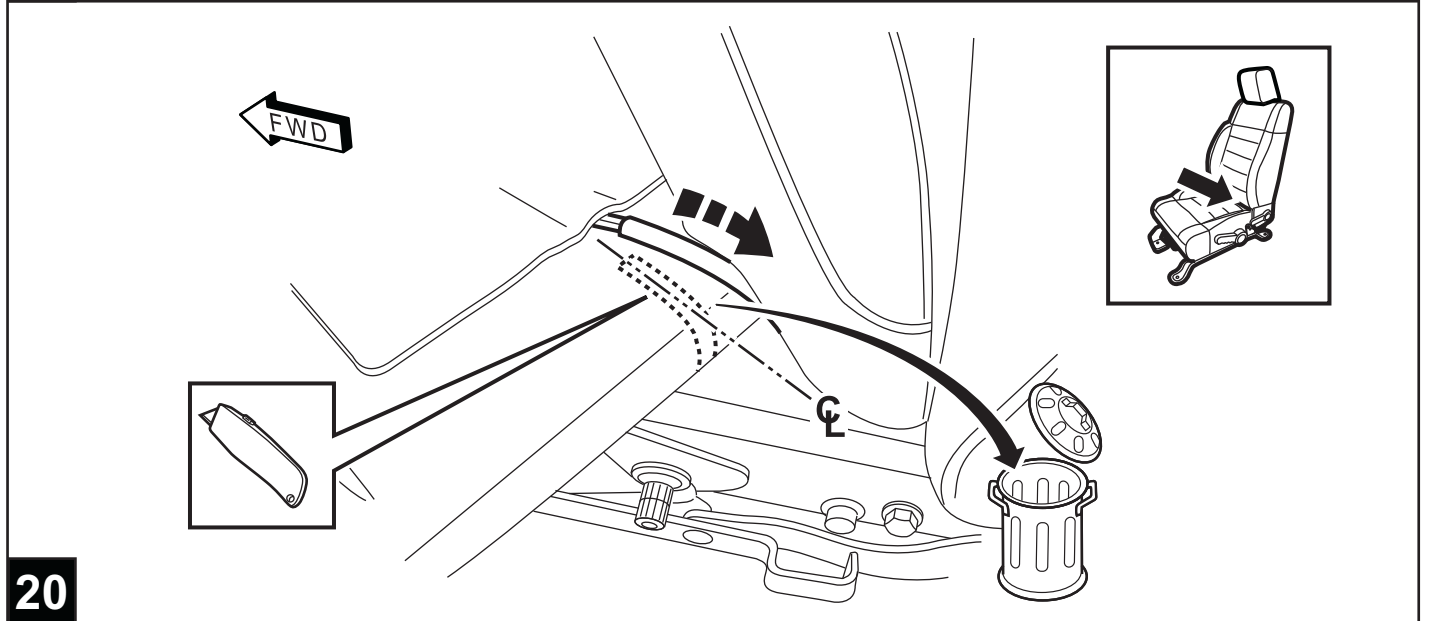
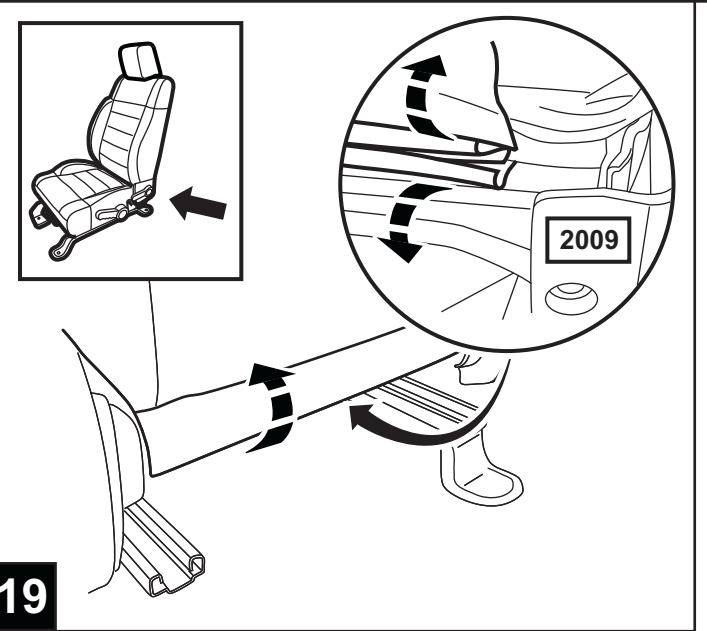
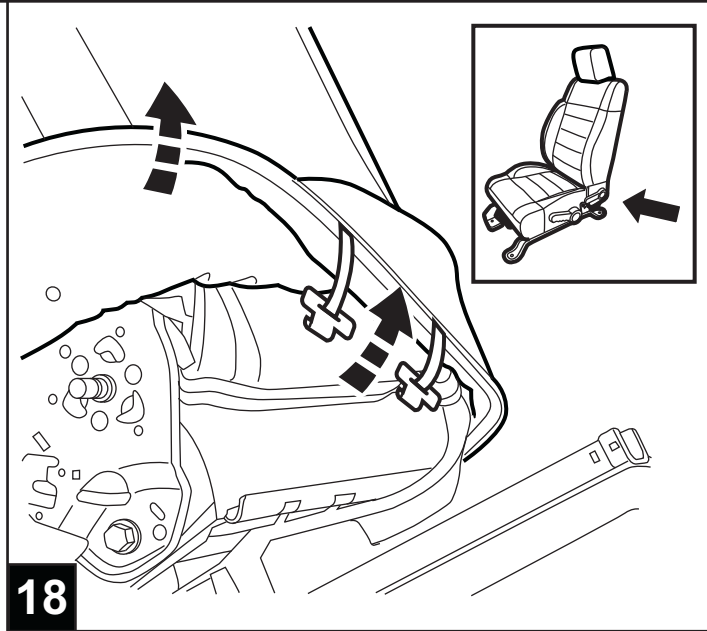


16



"USE ITEM "L" TO REINSTALL"

17

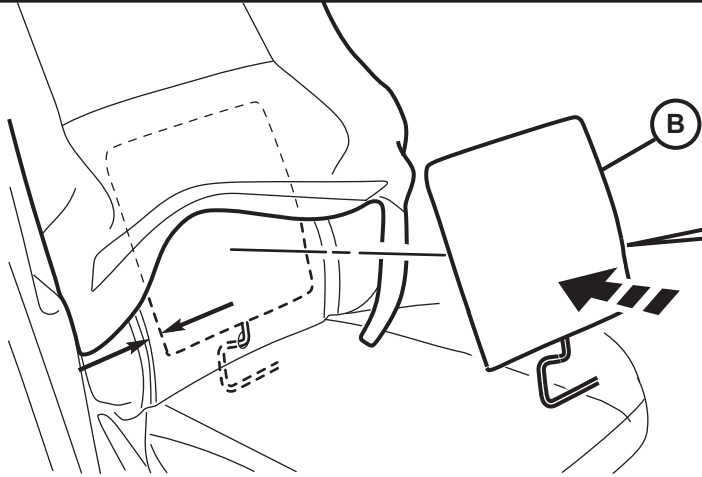


NOTE: ELEMENT MUST BE CENTERED ON SEAT. SPACING BETWEEN EDGE OF ELEMENT AND INNER RIDGE OF CUSHION/PAD MUST BE EQUAL TO OPPOSITE SIDE.


REMOVE ADHESIVE BACKING PRIOR TO INSTALLATION

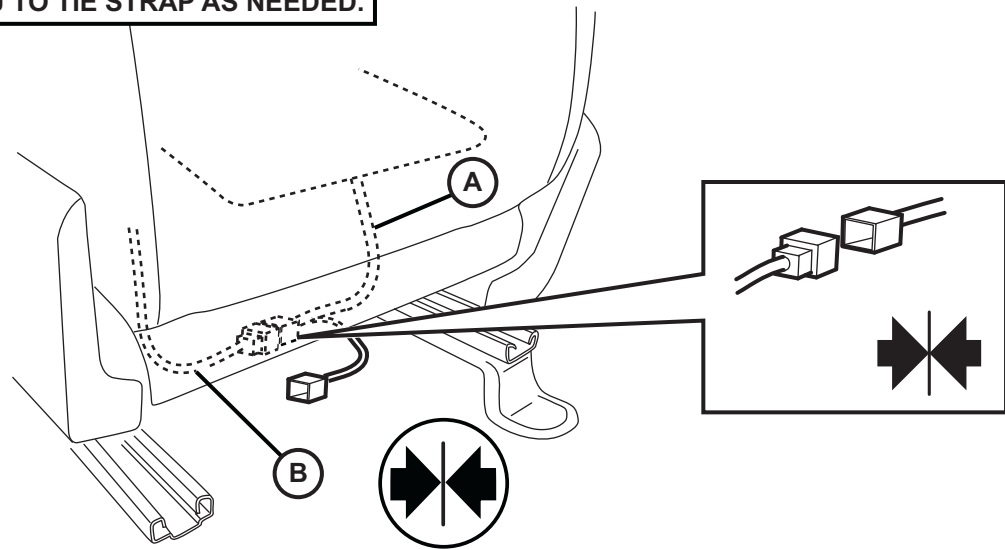


22

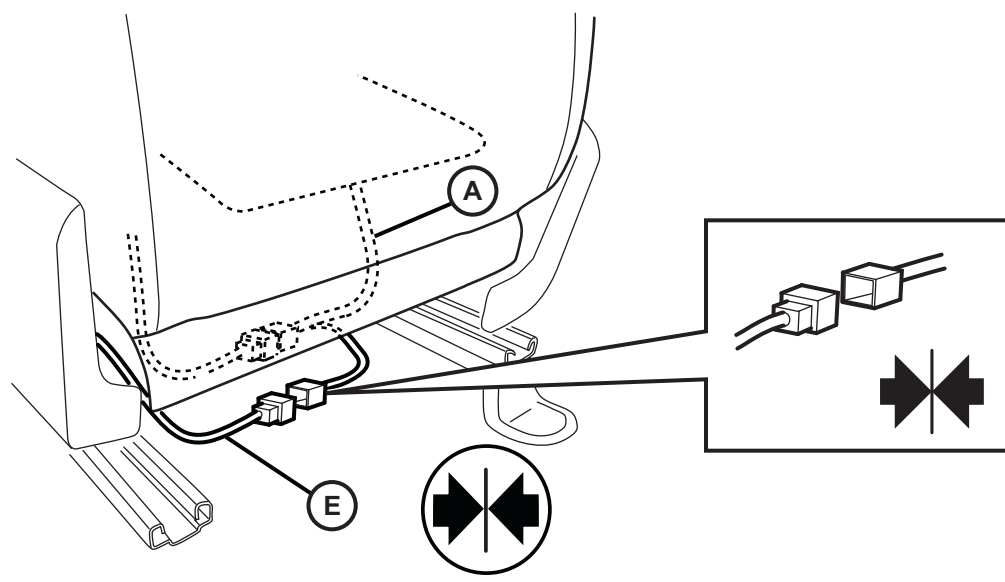


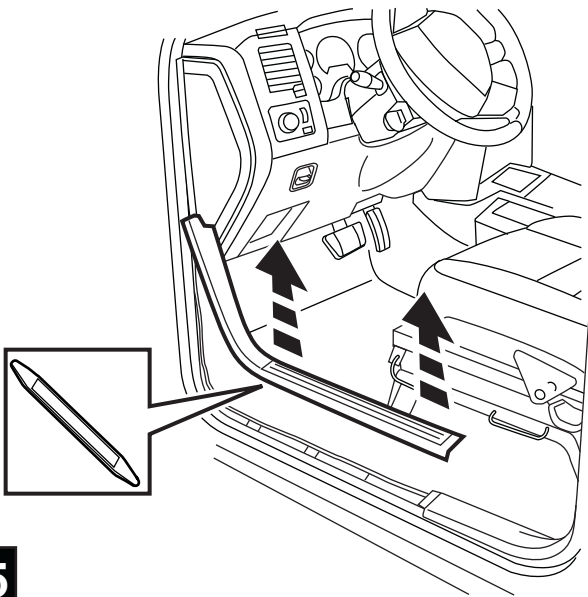
NOTE: USE ITEM J TO TIE STRAP AS NEEDED.

23



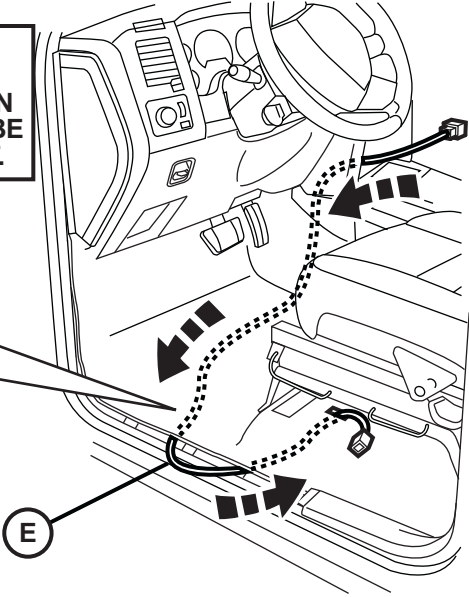
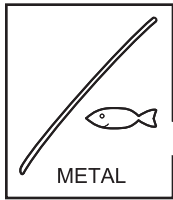
24





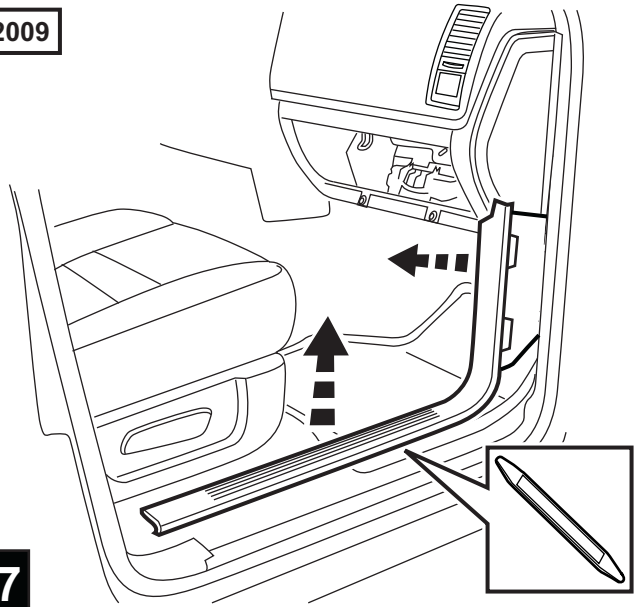
25

NOTE: FOR EASE IN INSTALLATION CARPET CAN BE PULLED OUT.



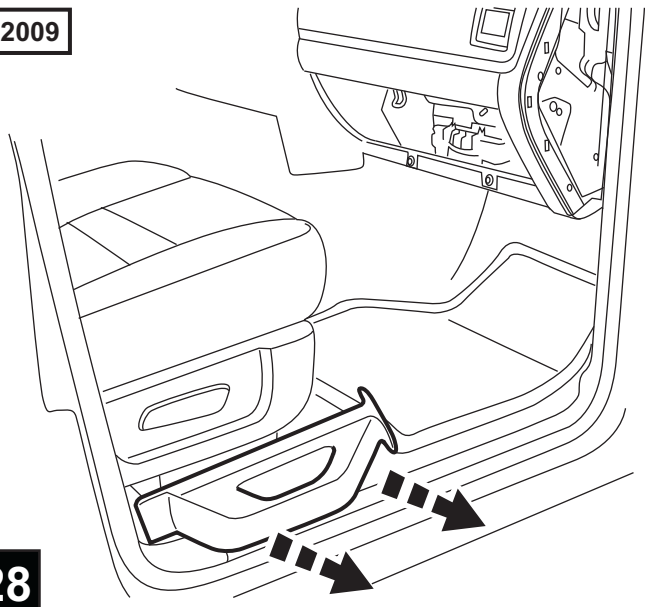
26

2009



27

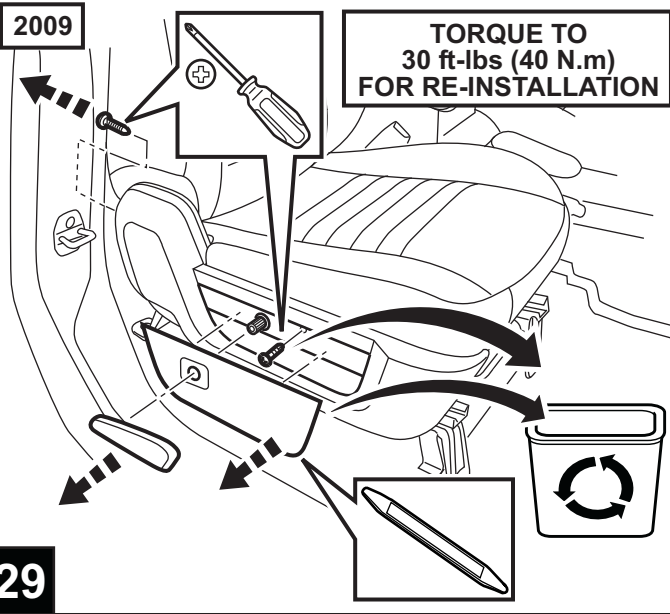
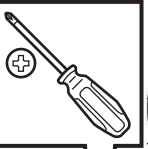
2009



28

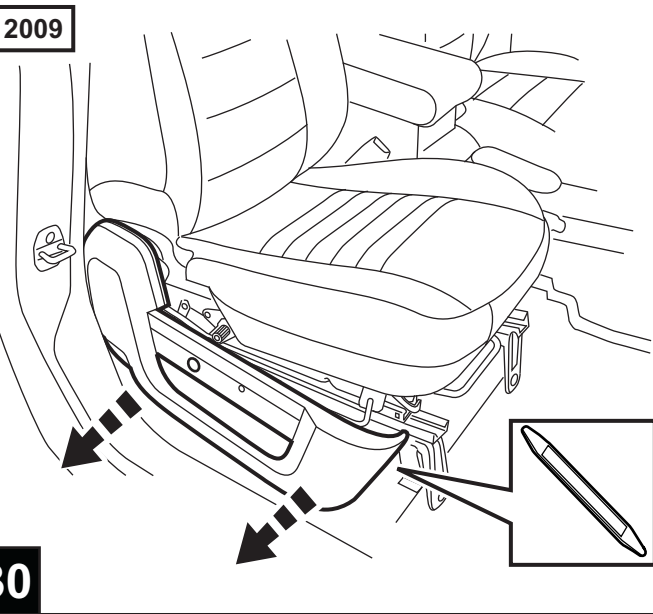
2009

TORQUE TO 30 ft-lbs (40 N.m) FOR RE-INSTALLATION



29

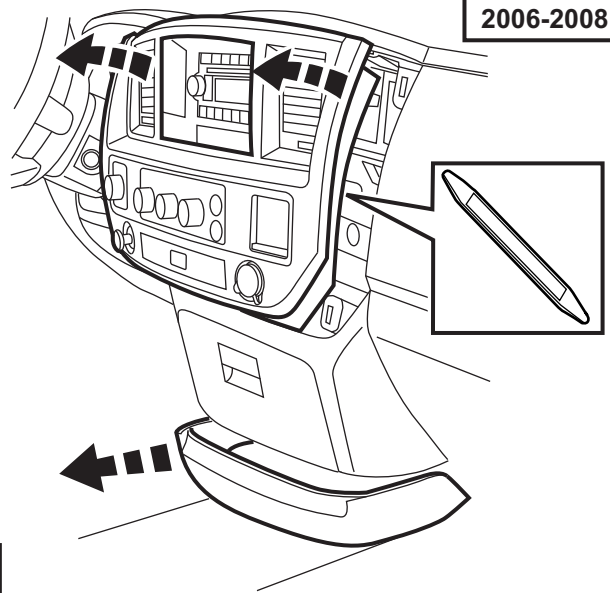
2009



30

REPEAT STEPS
2 - 8, 15 - 24, 26
FOR OPPOSITE SIDE

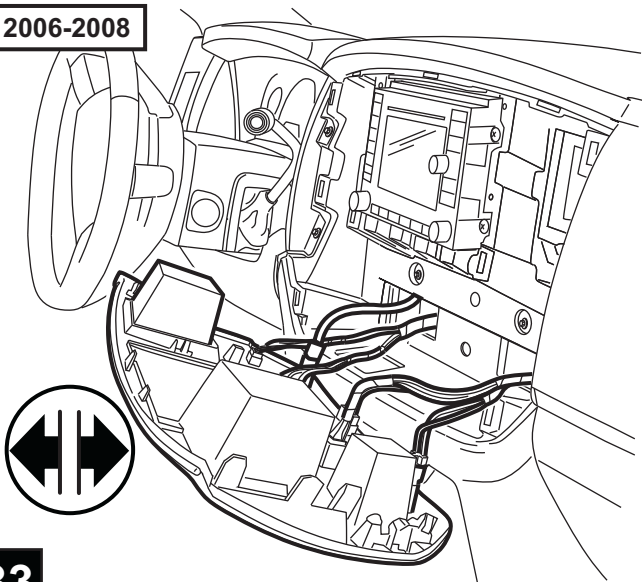
2006-2008



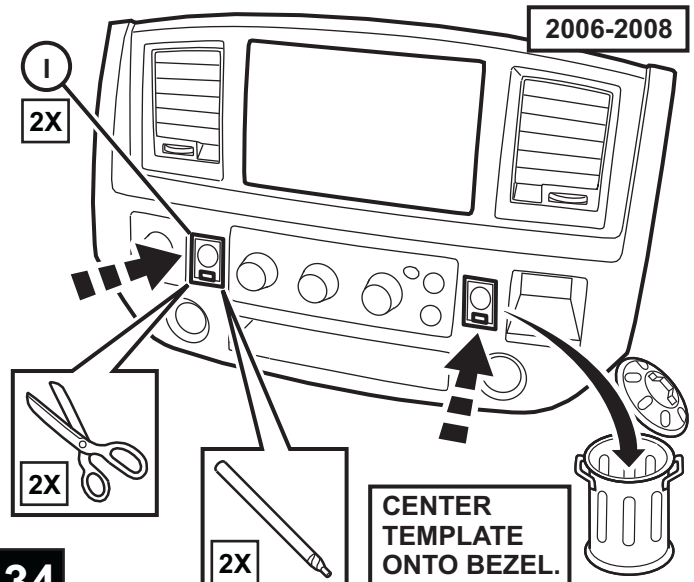
31

32

2006-2008



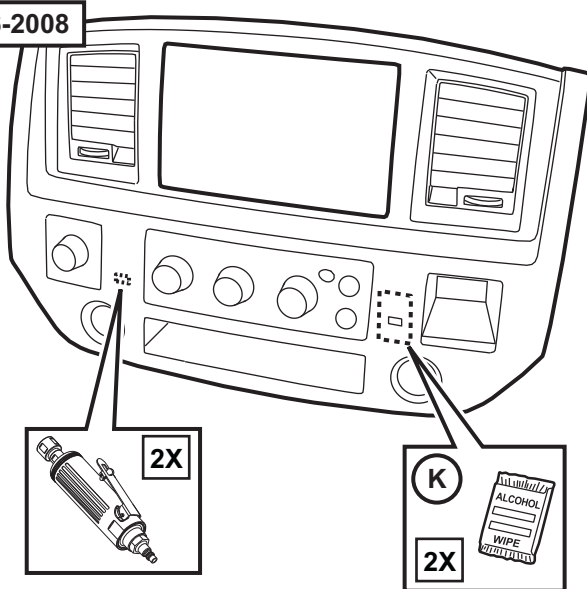
2006-2008



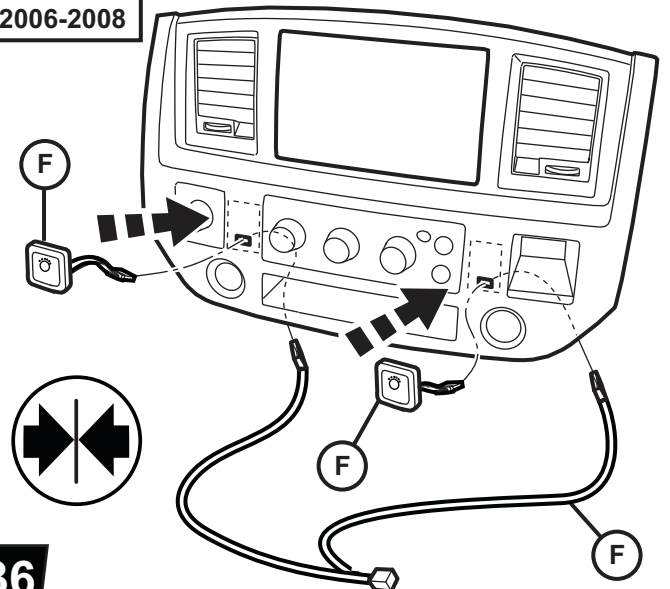
33

34

2006-2008



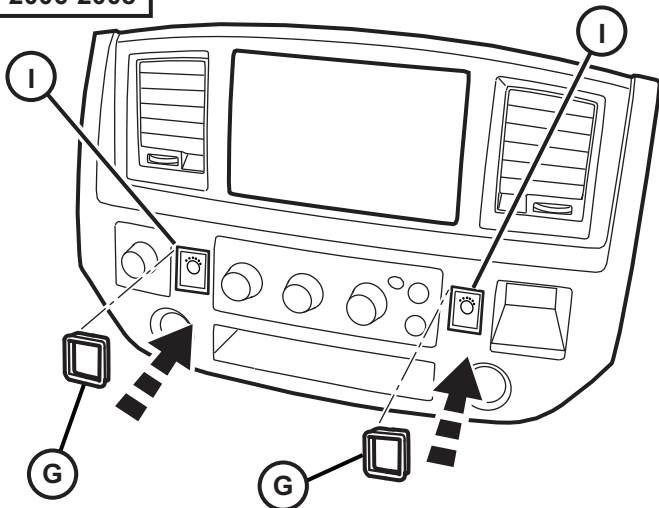
2006-2008



35

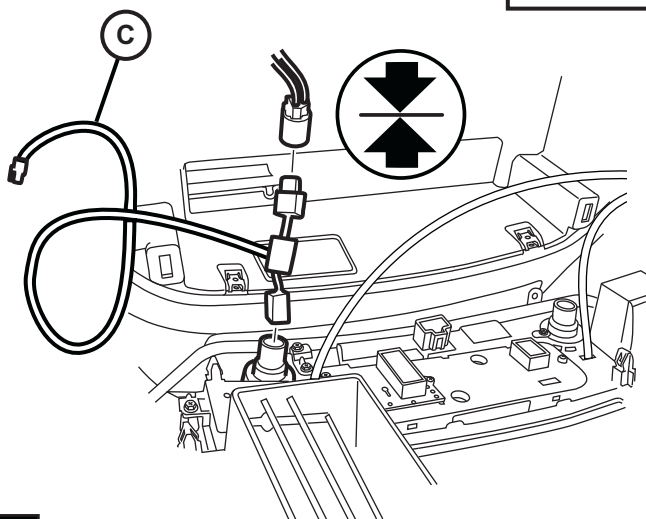
36

2006-2008



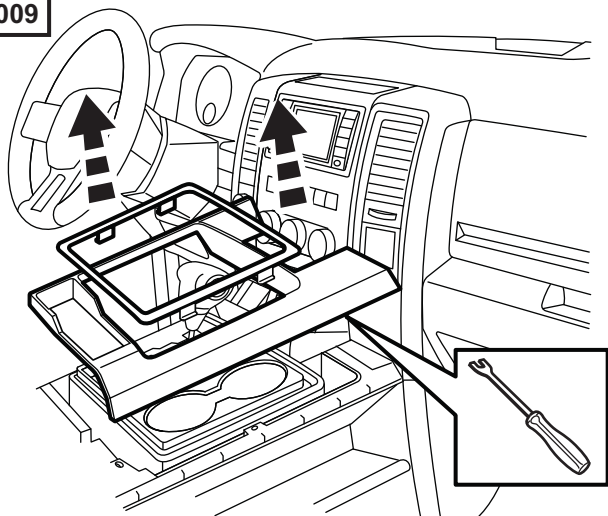
37

2006-2008



38

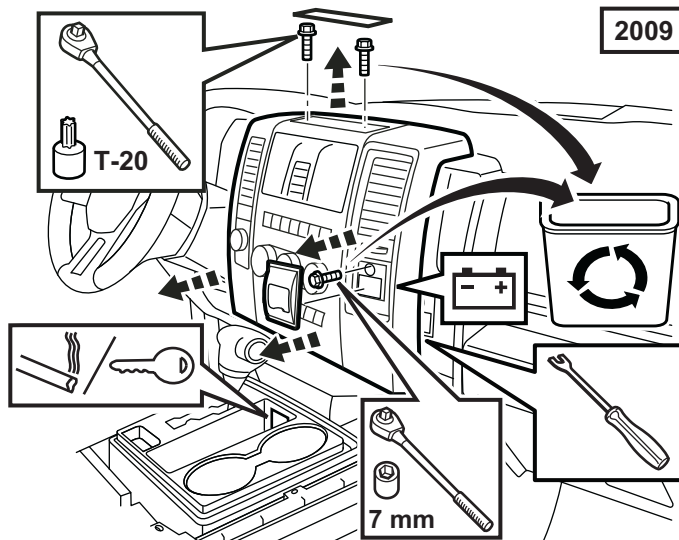
2009



AUTOMATIC WITH CENTER CONSOLE

39

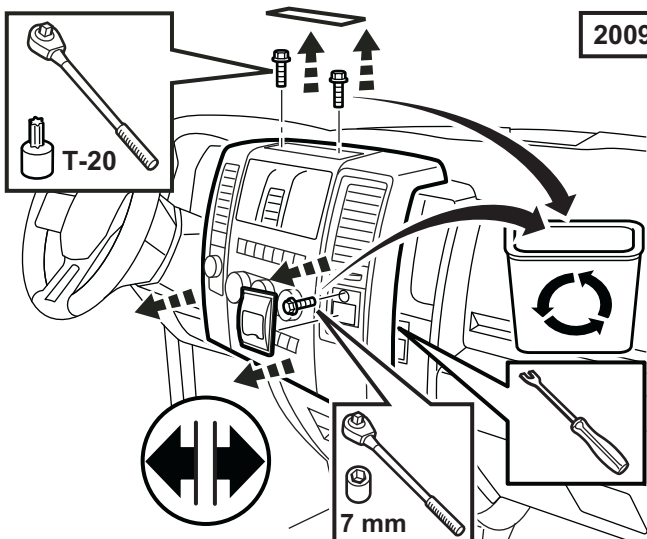
2009



AUTOMATIC WITH CENTER CONSOLE

40

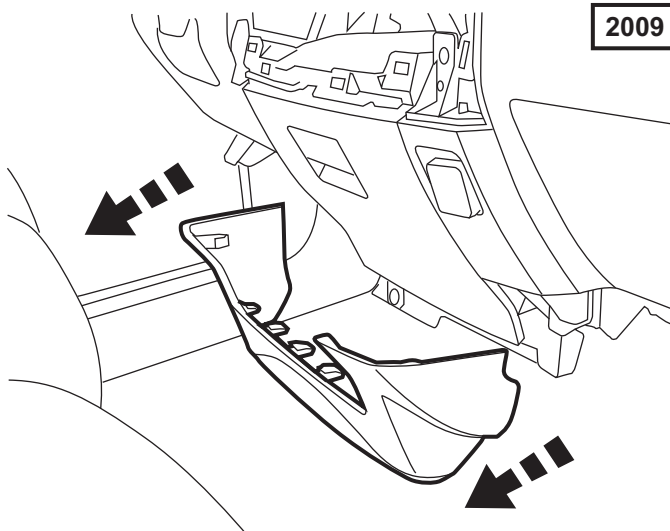
2009



AUTOMATIC WITHOUT CENTER CONSOLE

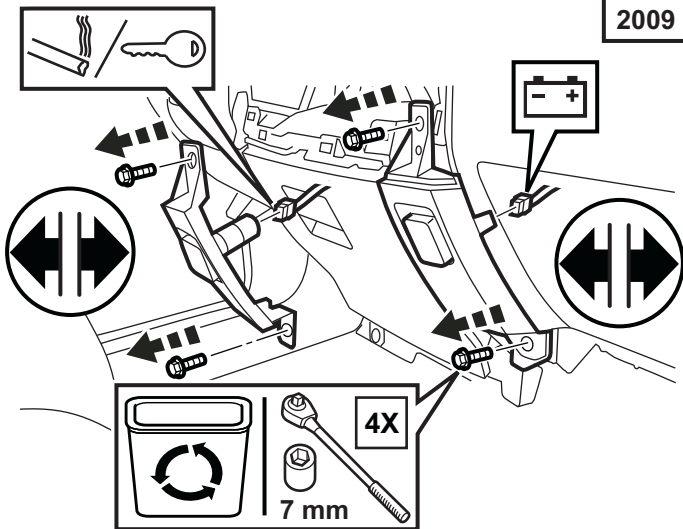
41

2009

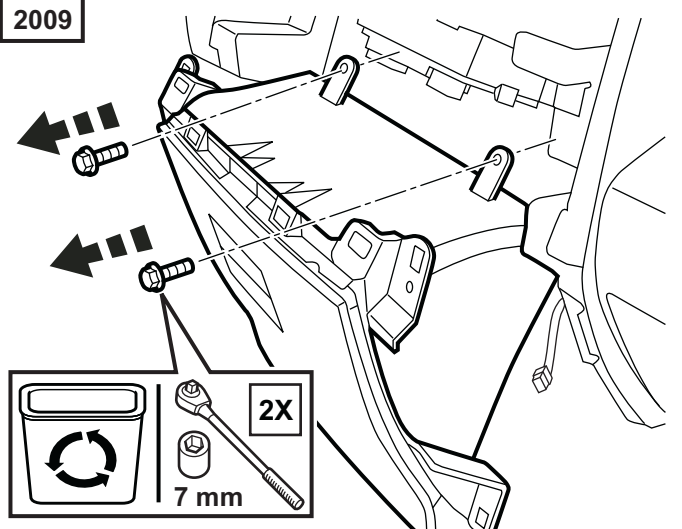


AUTOMATIC WITHOUT CENTER CONSOLE

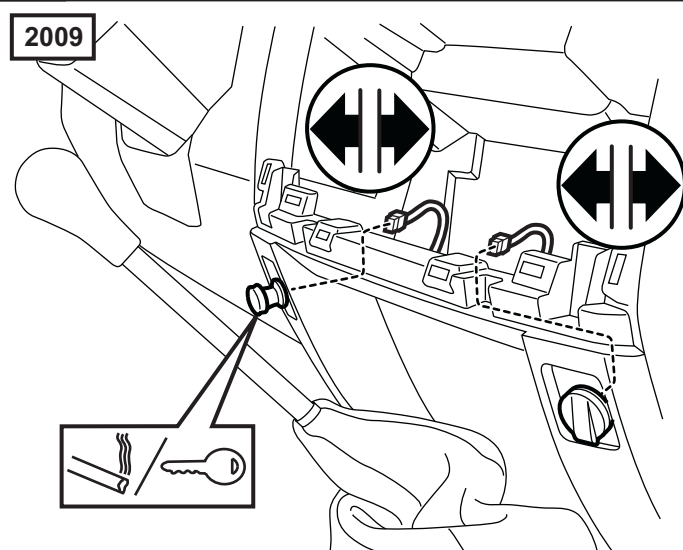
42



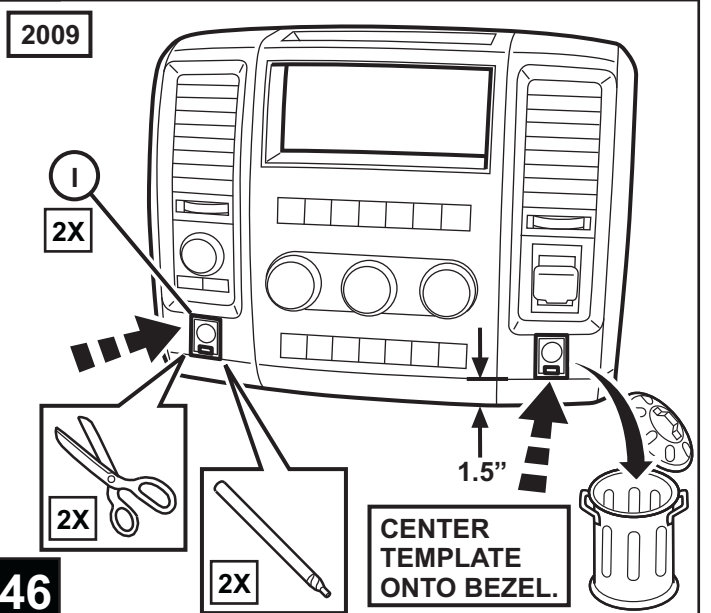
43 AUTOMATIC WITHOUT CENTER CONSOLE



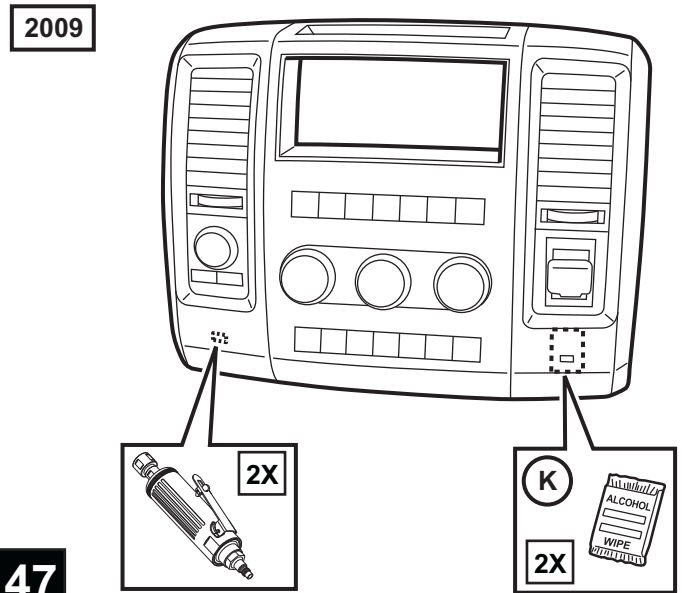
44 AUTOMATIC WITHOUT CENTER CONSOLE



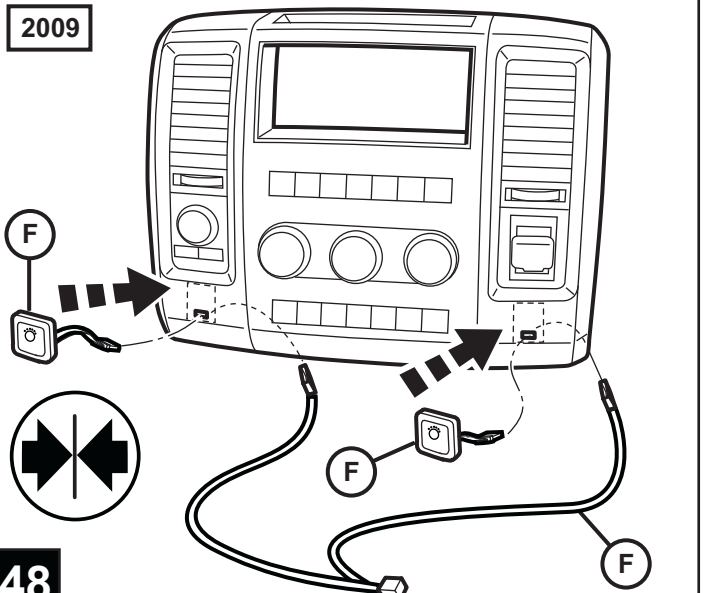
45 MANUAL TRANSMISSION



46

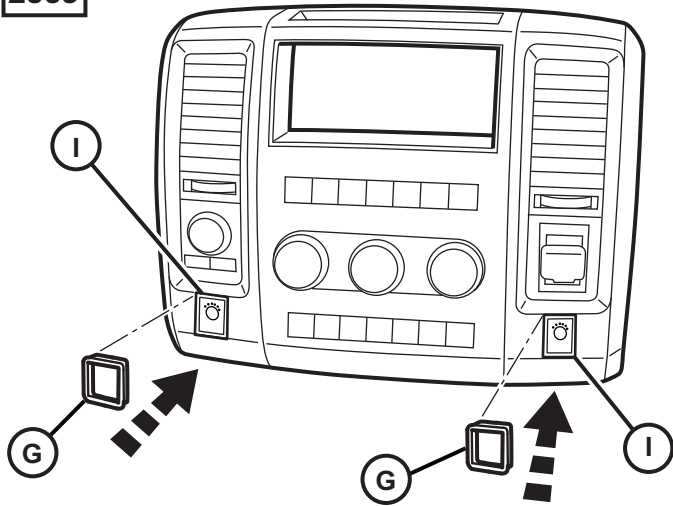


47



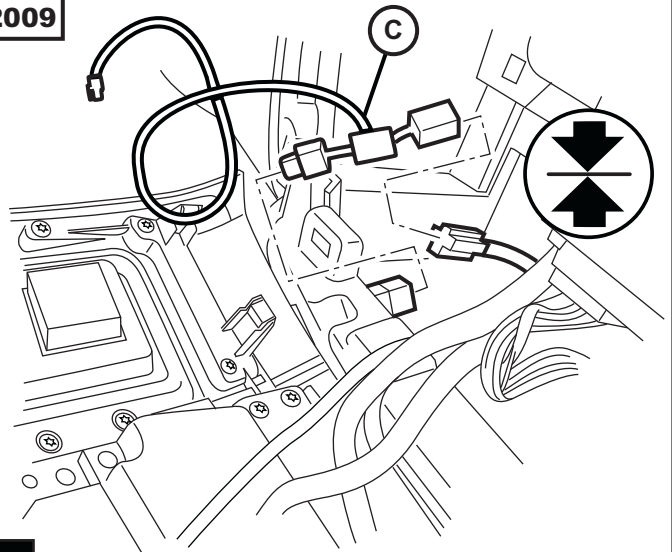
48

2009

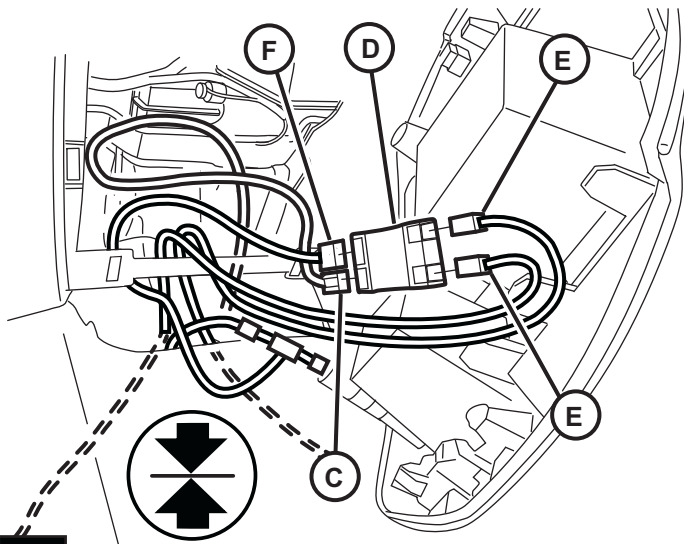


49

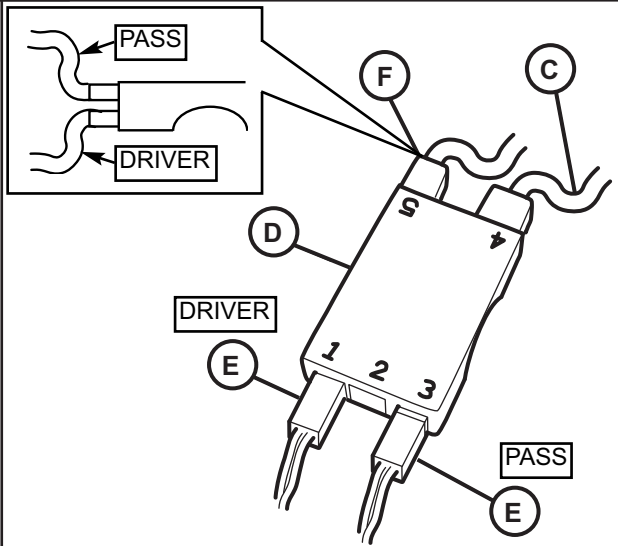
2009



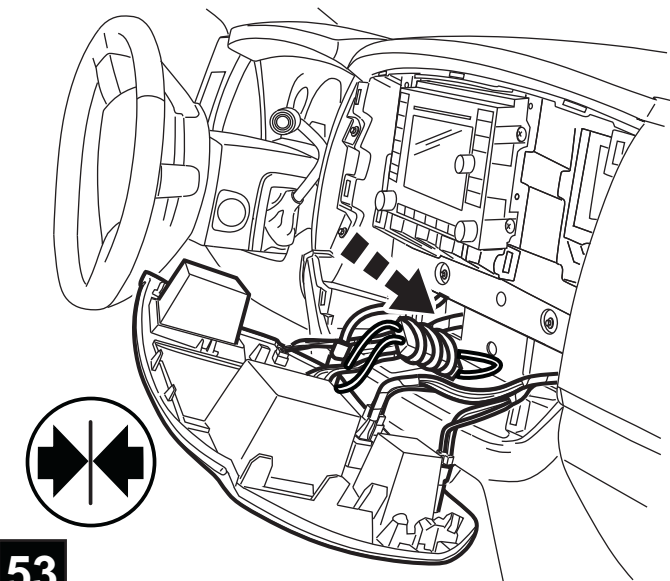
50



51



52



53

**NOTE: REVERSE REMOVAL
STEPS 44-39, 32, 30-25, 19-1
FOR RE-INSTALLATION**

54

**FRONT HEATED SEATS
SIÈGES AVANT CHAUFFANT
HEIZUNG VORDERSITZE
SEDILI ANTERIORI RISCALDATI**

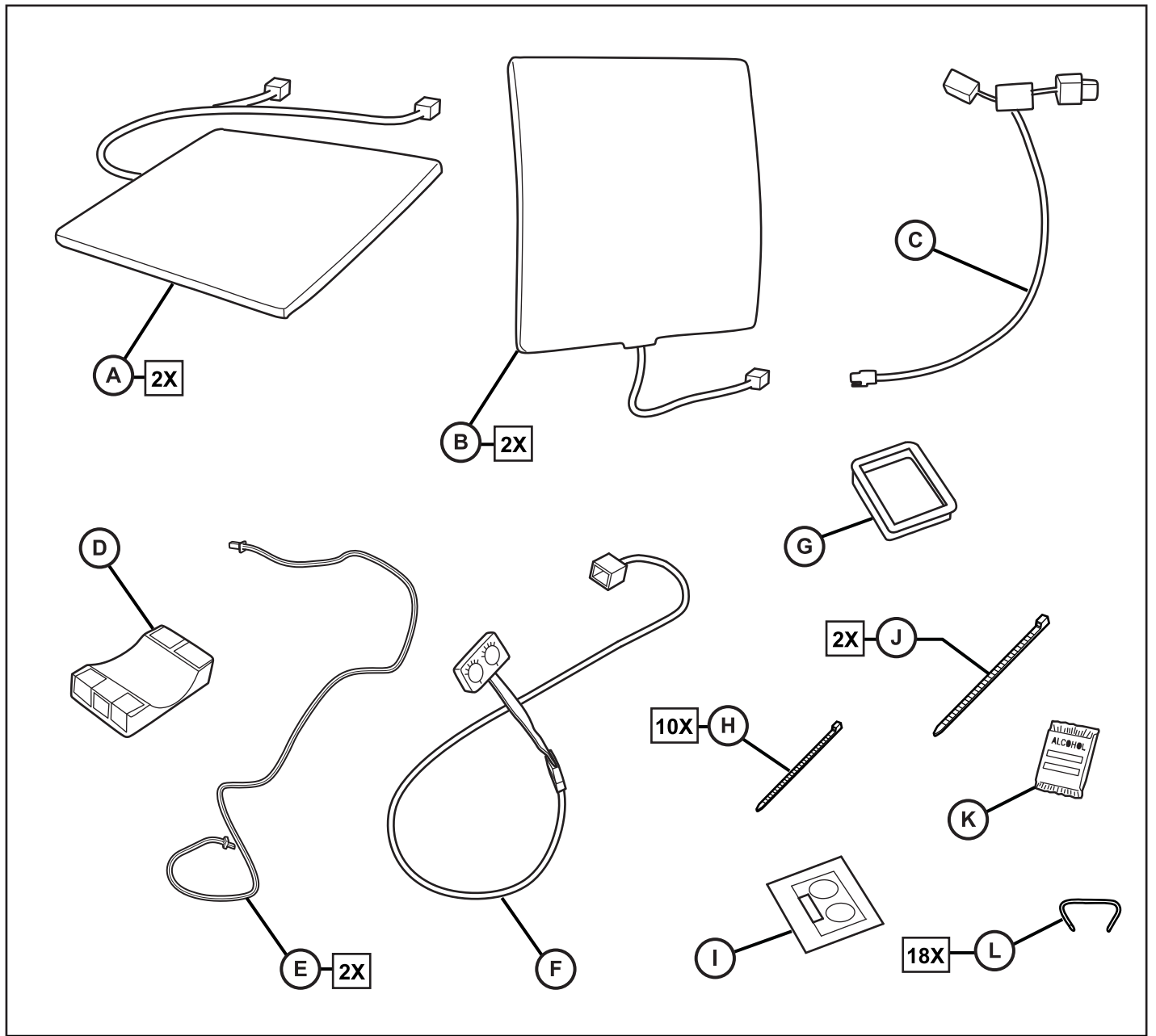
- 2,3,9,10 TORQUE TO 45 ft-lbs (61NM) FOR RE-INSTALLATION
CLÉ DYNAMOMÉTRIQUE DE 45 ft-lbs (61NM) POUR LA RÉINSTALLATION
DREHMOMENT FÜR WIEDEREINBAU 45 ft-lbs (61NM)
COPPIA DI SERRAGGIO FINO A 61 NM PER LA REINSTALLAZIONE
APRIETE A 45 ft-lbs (61NM) PARA LA REINSTALACIÓN**
- 4,11 TORQUE TO 30 ft-lbs (40NM) FOR RE-INSTALLATION
CLÉ DYNAMOMÉTRIQUE DE 30 ft-lbs (40NM) POUR LA RÉINSTALLATION
DREHMOMENT FÜR WIEDEREINBAU 30 ft-lbs (40NM)
COPPIA DI SERRAGGIO FINO A 40 NM PER LA REINSTALLAZIONE
APRIETE A 30 ft-lbs (40NM) PARA LA REINSTALACIÓN**
- 17 USE "ITEM "L" TO RE-INSTALL
UTILISER "L'ÉLÉMENT "L" POUR RÉINSTALLER
WIEDEREINBAU MIT „TEIL „L“
USARE "L'ARTICOLO L" PER LA REINSTALLAZIONE
USE EL ARTÍCULO "L" PARA REINSTALAR**
- 21,22 NOTE: ELEMENT MUST BE CENTERED ON SEAT. SPACING BETWEEN EDGE OF
ELEMENT AND INNER RIDGE OF CUSHION/PAD MUST BE EQUAL TO OPPOSITE
SIDE.
NOTE : L'ÉLÉMENT DOIT ÊTRE PLACE AU CENTRE DU SIÈGE. L'ESPACE ENTRE
BORDO DELL'ELEMENTO E LA COSTA INTERNA DELLA
PROTEZIONE/IMBOTTITURA DEVE ESSERE EQUIVALENTE A QUELLO DEL LATO
OPPOSTO.
NOTA: EL ELEMENTO DEBE QUEDAR CENTRADO EN EL ASIENTO. EL
ESPACIAMIENTO ENTRE EL BORDE DEL ELEMENTO Y EL CABALLETE INTERNO
DEL COJÍN DEBE SER IGUAL EN EL LADO OPUESTO.**
- 21,22 REMOVE ADHESIVE BACKING PRIOR TO INSTALLATION
ENLEVER L'ADHÉSIF AVANT INSTALLATION
VOR EINBAU SELBSTKLEBE-ABDECKFOLIE ENTFERNEN
PRIMA DELL'INSTALLAZIONE, RIMUOVERE IL DORSO ADESIVO
RETIRE EL SOPORTE ADHESIVO ANTES DE LA INSTALACIÓN**

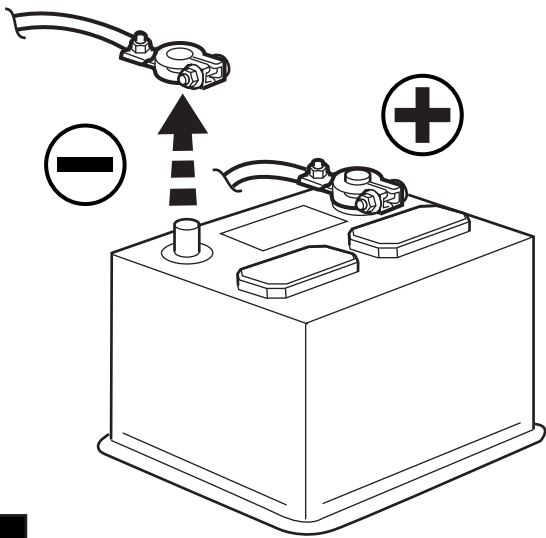
- 23 NOTE: USE "ITEM J" TO TIE STRAP AS NEEDED.
NOTE : UTILISER "L'ÉLÉMENT "J" POUR RESSERER LA LANIÈRE SELON LES BESOINS.
WICHTIG: MIT "TEIL J" NACH BEDARF FIXIEREN.
NOTA: SE NECESSARIO, USARE LA FASCETTA FERMACAVO, "ARTICOLO J".
NOTA: USE EL ARTÍCULO "J" PARA AJUSTAR LO NECESARIO EL AMARRE.
- 26 NOTE: FOR EASE IN INSTALLATION CARPET CAN BE PULLED OUT.
NOTE : POUR UNE INSTALLATION PLUS FACILE, LE TAPIS DE SOL PEUT ÊTRE RETIRÉ.
WICHTIG: ZUR LEICHTEREN MONTAGE KANN DER TEPPICH ANGEHOBEN WERDEN.
NOTA: PER FACILITARE L'INSTALLAZIONE, È POSSIBILE STACCARE IL TAPPETINO.
NOTA: SE PUEDE LEVANTAR LA ALFOMBRA PARA FACILITAR LA INSTALACIÓN.
- 31 REPEAT STEPS 2-8, 15-24, 26 FOR OPPOSITE SIDE
RÉPÉTER LES ÉTAPES 2-8, 15-24, 26 POUR L'AUTRE CÔTÉ
SCHRITTE 2-8, 15-24, 26 FÜR ZWEITEN SITZ WIEDERHOLEN
RIPETERE I PASSAGGI 2-8, 15-24, 26 PER IL LATO OPPOSTO
REPITA LOS PASOS 2-8, 15-24, 26 EN EL LADO OPUESTO
- 34,46 CENTER TEMPLATE ONTO BEZEL.
CENTRER MAQUETTE SUR COLLERETTE.
SCHABLONE AUF BLENDE ZENTRIEREN.
CENTRARE LA MASCHERINA SULLA CORNICE.
PLANTILLA DE CENTRO SOBRE BISEL.
- 52 DRIVER PASS
CONDUCTEUR PASS
FAHRER BEIF.
DRIVER PASSANTE
CONDUCTOR PASAJERO
- 54 NOTE: REVERSE REMOVAL STEPS 44-39, 32, 30-25, 19-1 FOR RE-INSTALLATION
NOTE : INVERSER LES ÉTAPES DE DÉSINSTALLATION 44-39, 32, 30-25, 19-1
POUR LA REINSTALLATION
- WICHTIG: ZUM EINBAUABSCHLUSS SCHRITTE 44-39, 32, 30-25, 19-1 UMKEHREN
NOTA: PER LA REINSTALLAZIONE, INVERTIRE I PASSAGGI RELATIVI ALLA RIMOZIONE 44-39, 32, 30-25, 19-1
NOTA: PASOS REVERSOS 44-39, 32, 30-25, 19-1 DEL RETIRO PARA LA REINSTALACIÓN



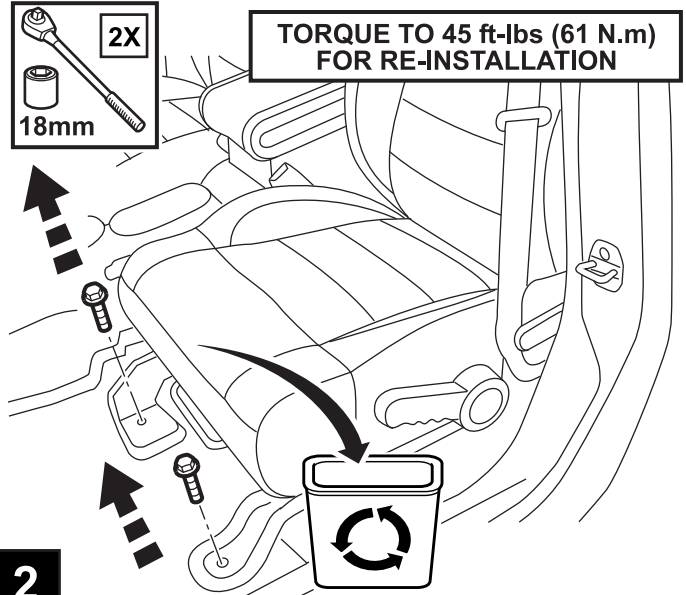
JEEP WRANGLER

Front Heated Seats

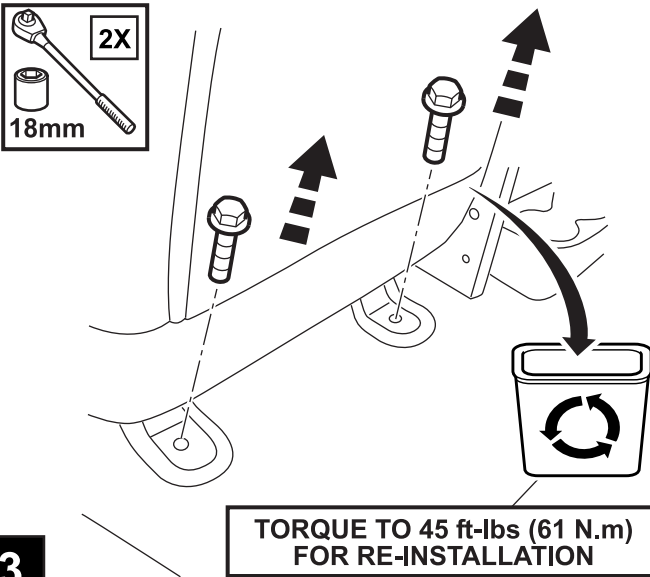




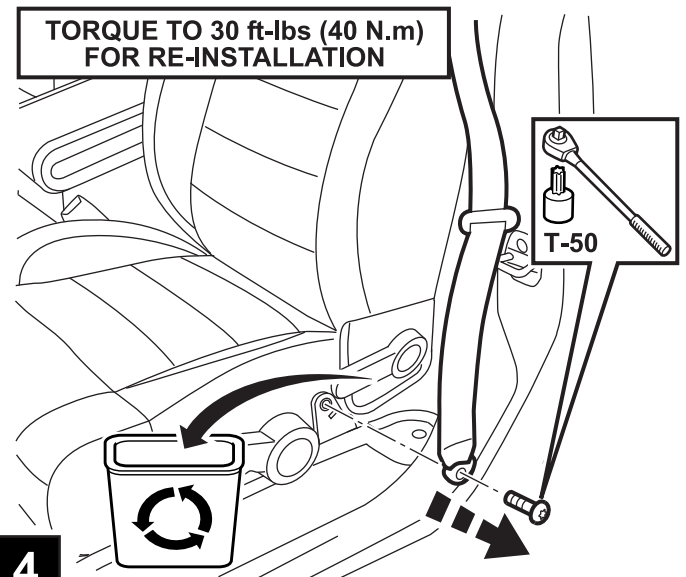
1



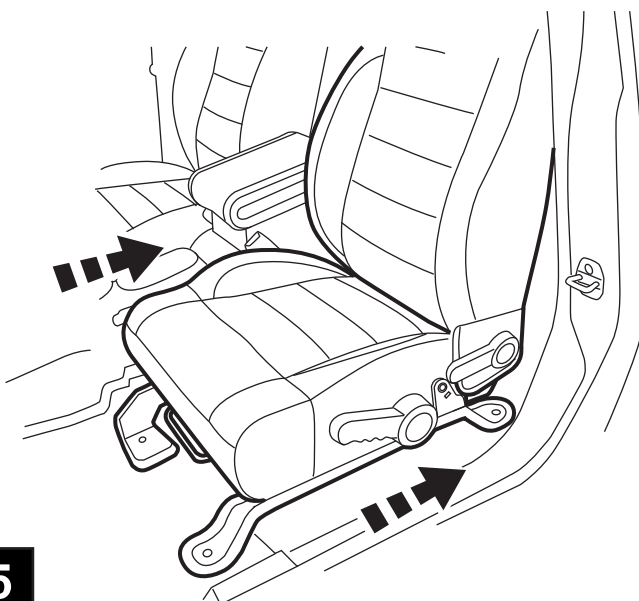
2



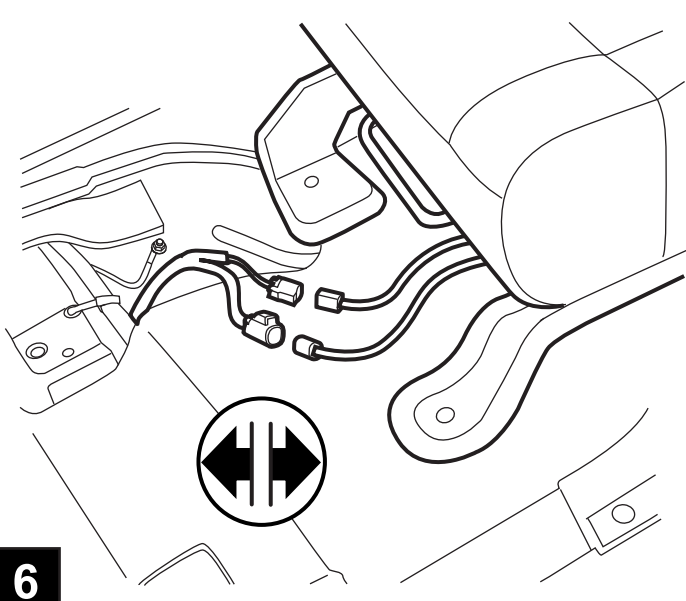
3



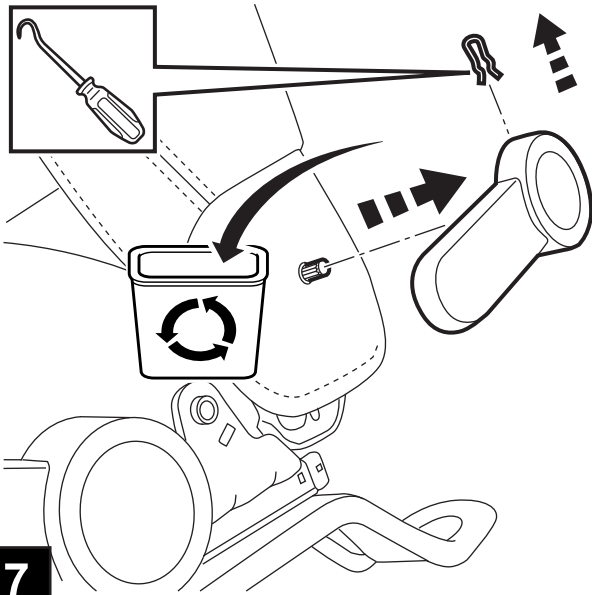
4



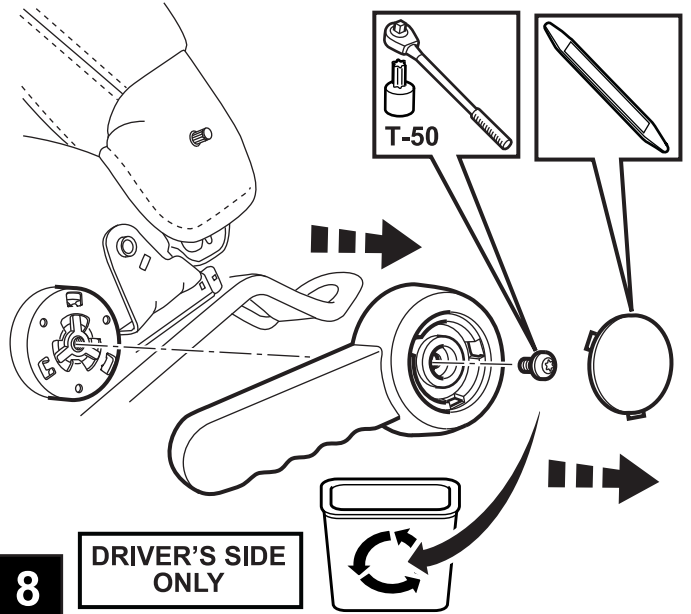
5



6

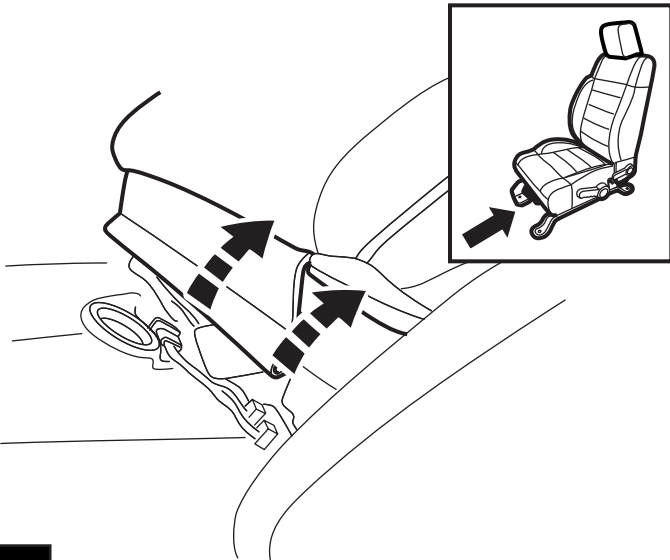


7

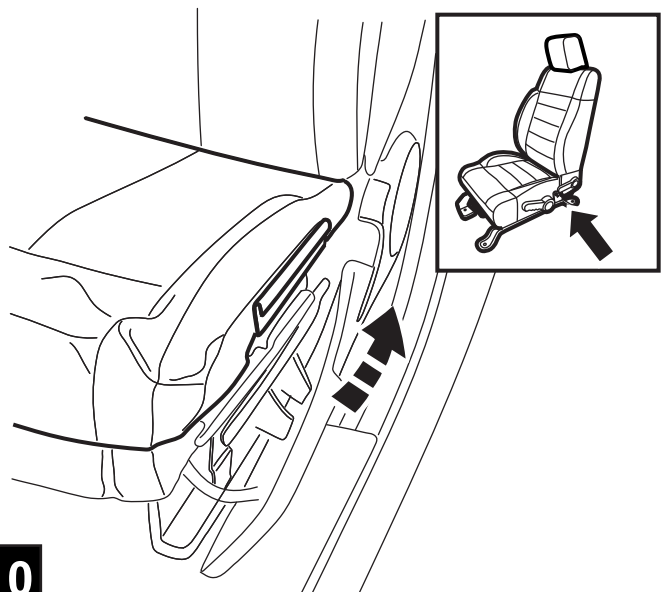


8

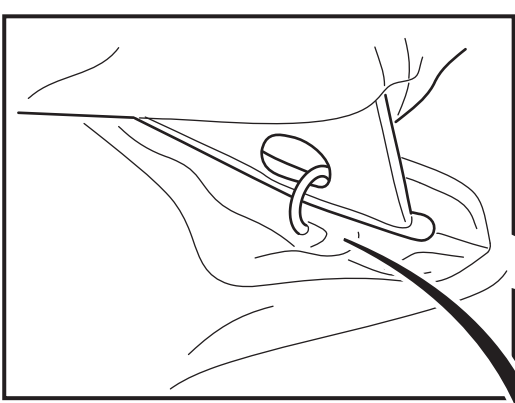
DRIVER'S SIDE ONLY



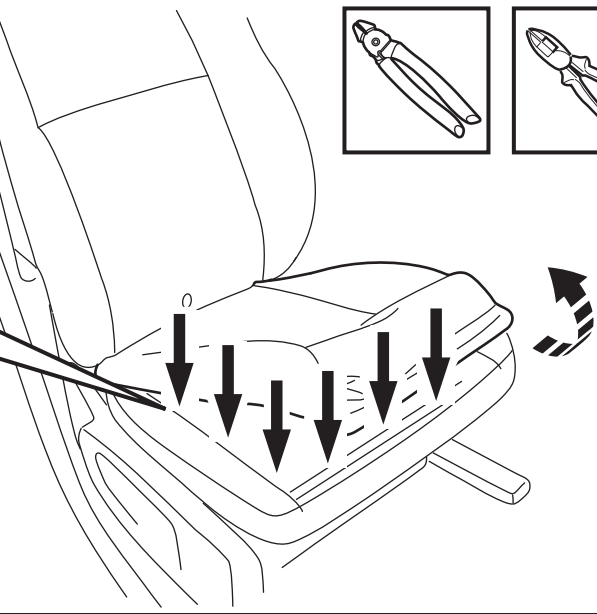
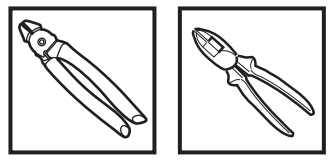
9



10



"USE ITEM "L" TO REINSTALL



11

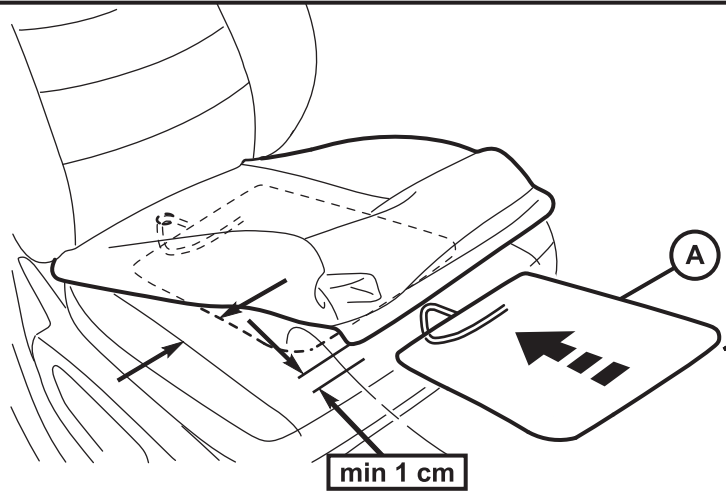
NOTE: ELEMENT MUST BE CENTERED ON SEAT. SPACING BETWEEN EDGE OF ELEMENT AND INNER RIDGE OF CUSHION/PAD MUST BE EQUAL TO OPPOSITE SIDE.



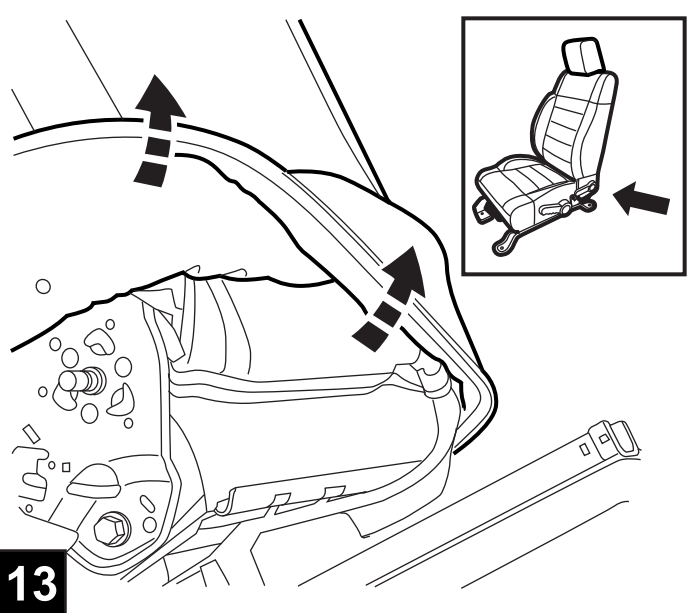
REMOVE ADHESIVE BACKING PRIOR TO INSTALLATION



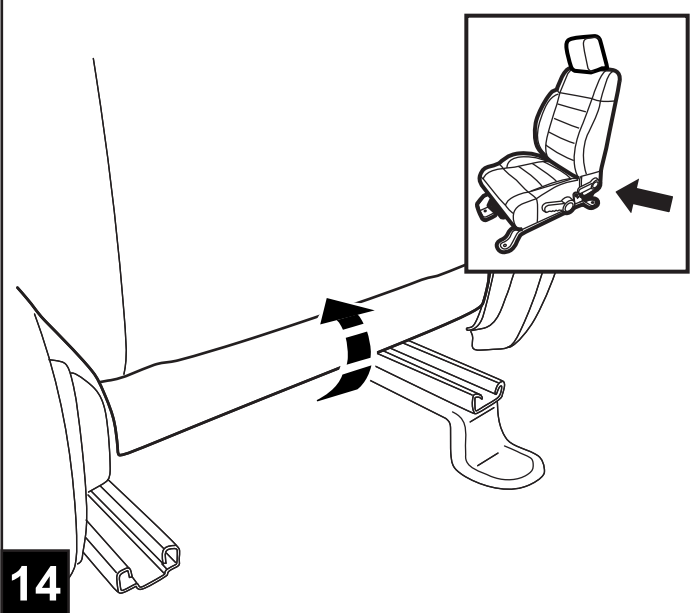
12




13



14



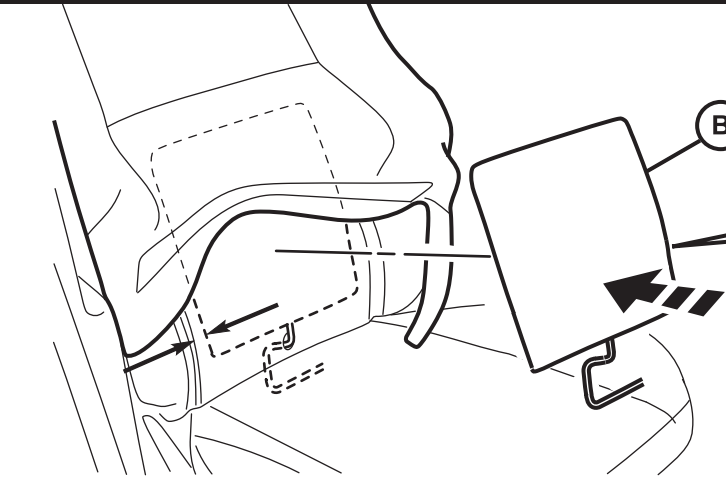
NOTE: ELEMENT MUST BE CENTERED ON SEAT. SPACING BETWEEN EDGE OF ELEMENT AND INNER RIDGE OF CUSHION/PAD MUST BE EQUAL TO OPPOSITE SIDE.



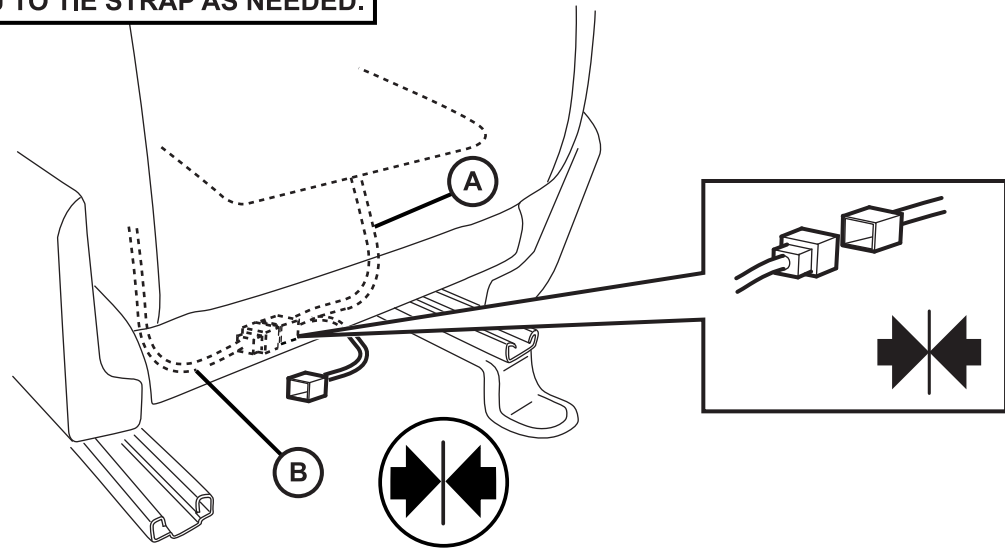
REMOVE ADHESIVE BACKING PRIOR TO INSTALLATION



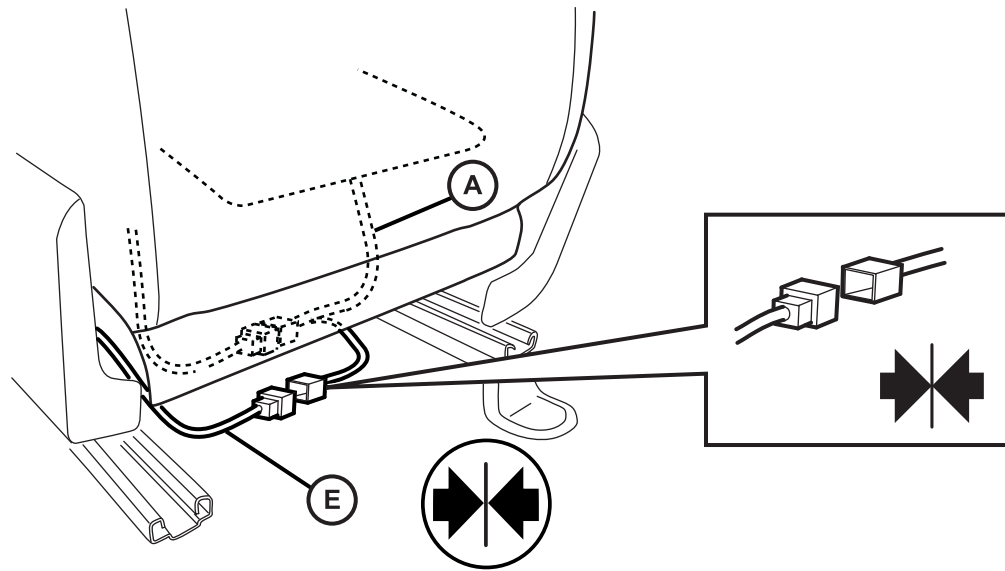
15



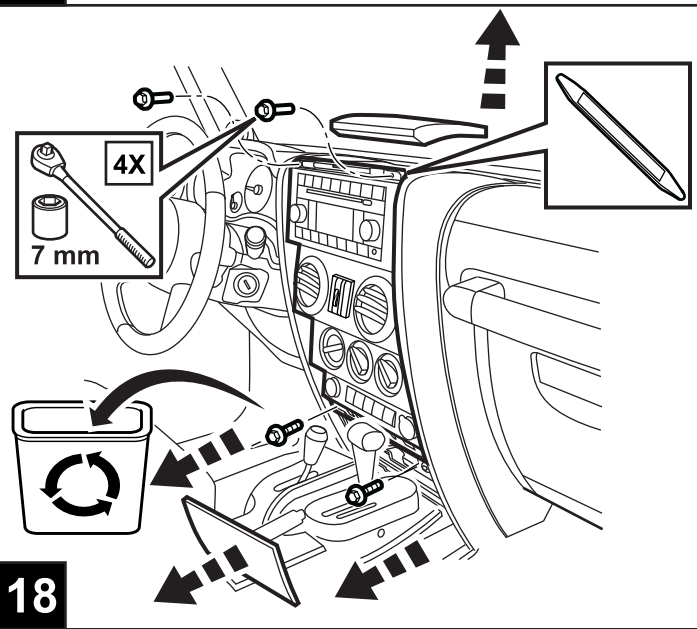
NOTE: USE ITEM J TO TIE STRAP AS NEEDED.



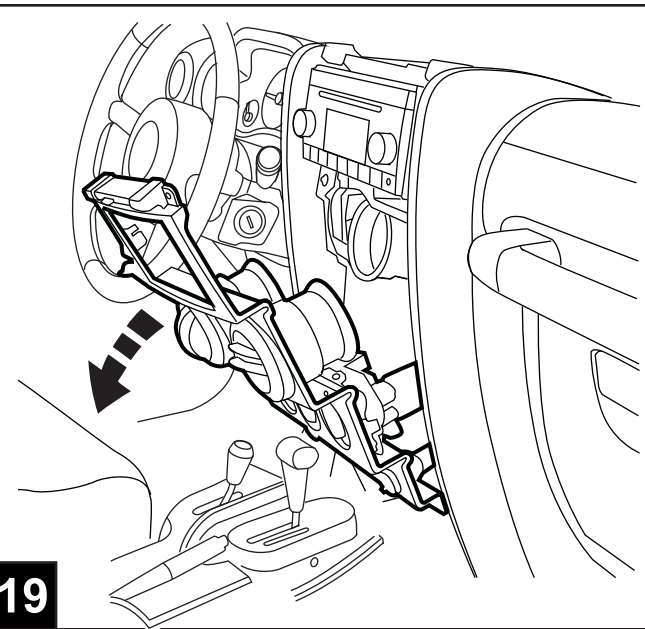
16



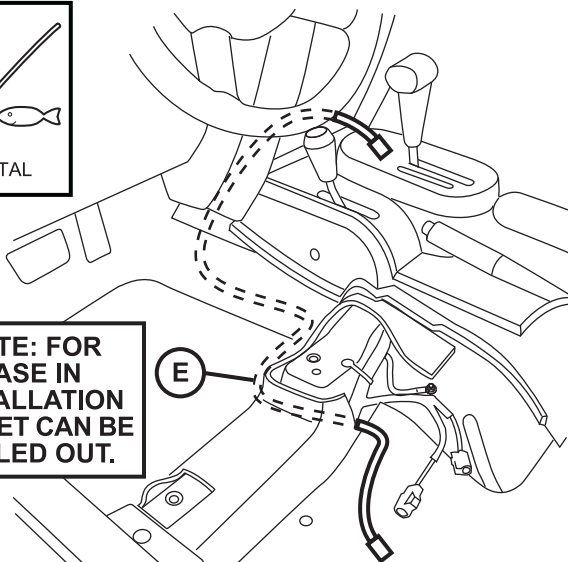
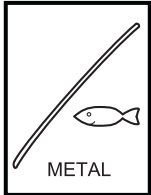
17



18



19

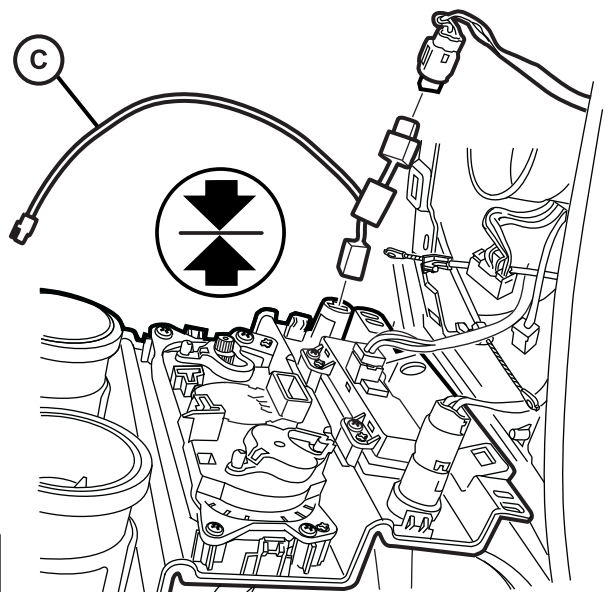
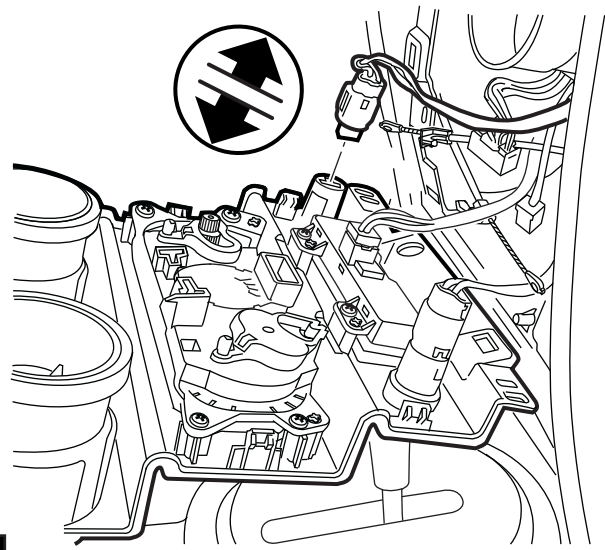


NOTE: FOR EASE IN INSTALLATION CARPET CAN BE PULLED OUT.

REPEAT STEPS 2-17 & 20 FOR OPPOSITE SIDE

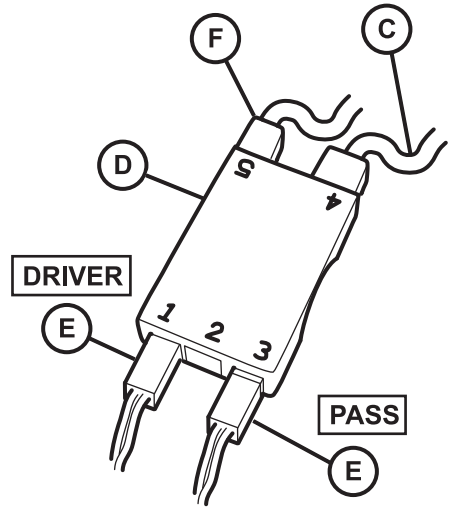
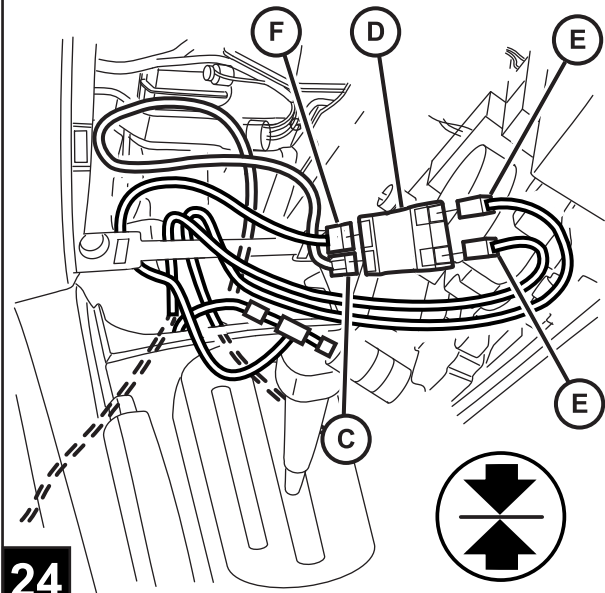
20

21



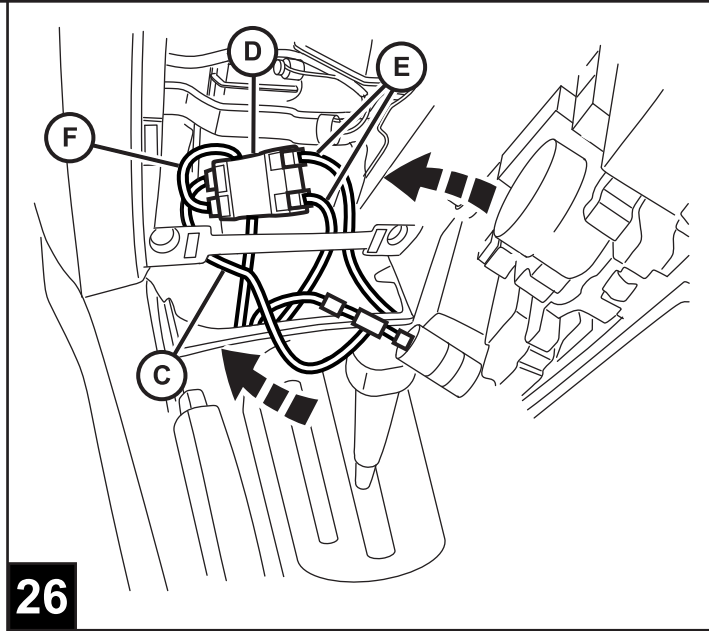
22

23

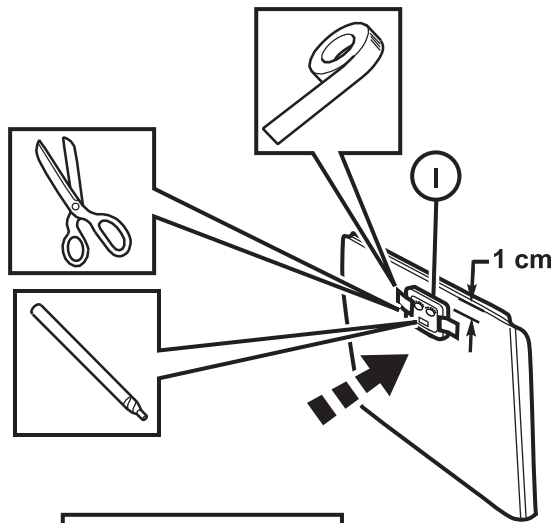


24

25

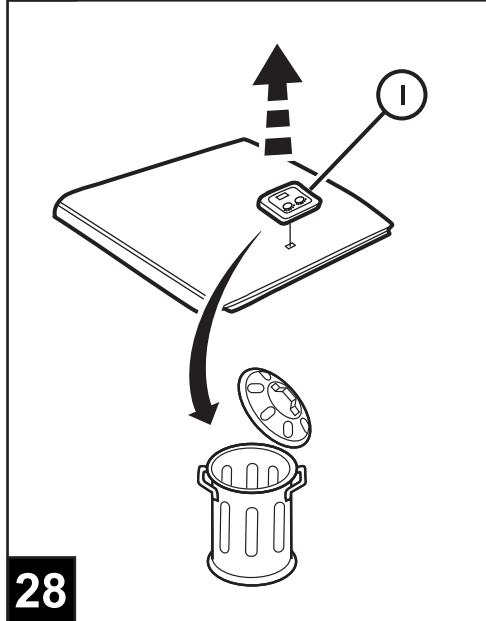


26

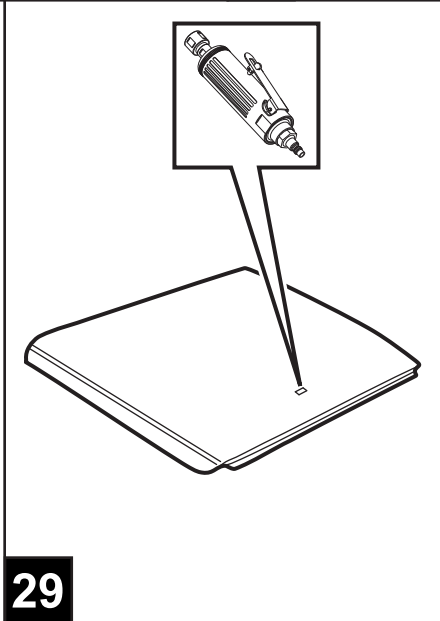


CENTER TEMPLATE
ONTO BEZEL.

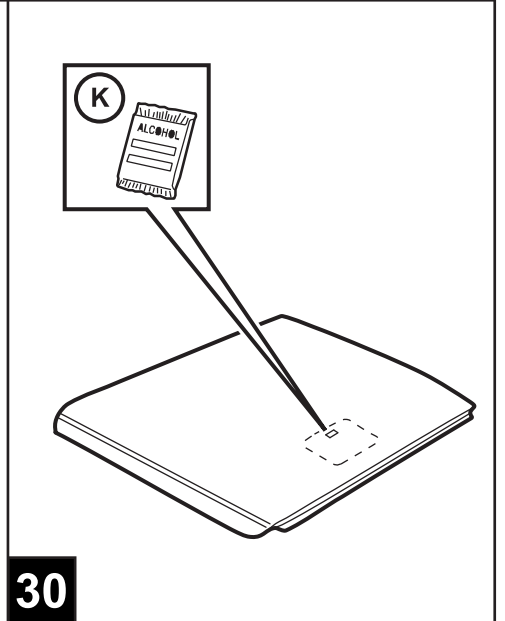
27



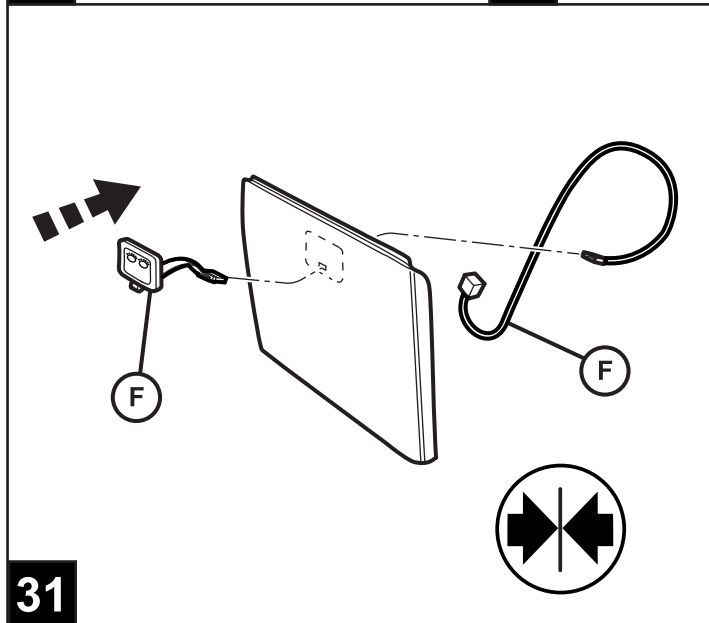
28



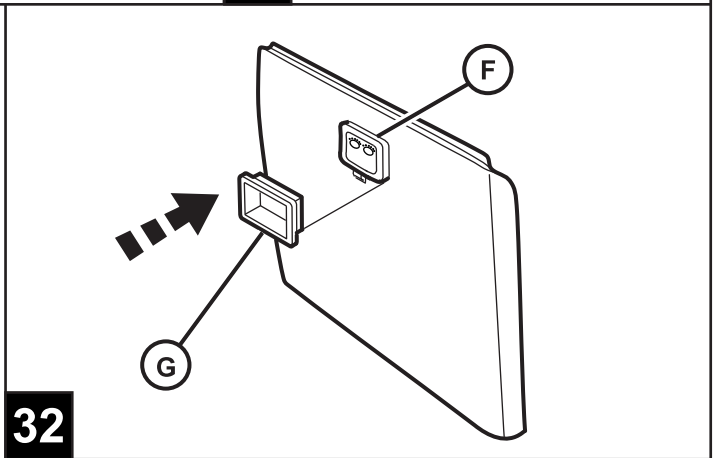
29



30



31



32

NOTE: REVERSE REMOVAL
STEPS 19, 18, 14, 13, 10-1
FOR RE-INSTALLATION

33

**FRONT HEATED SEATS
SIÈGES AVANT CHAUFFANT
HEIZUNG VORDERSITZE
SEDILI ANTERIORI RISCALDATI**

- 2,3 TORQUE TO 45 ft-lbs (61NM) FOR RE-INSTALLATION
CLÉ DYNAMOMÉTRIQUE DE 45 ft-lbs (61NM) POUR LA RÉINSTALLATION
DREHMOMENT FÜR WIEDEREINBAU 45 ft-lbs (61NM)
COPPIA DI SERRAGGIO FINO A 61 NM PER LA REINSTALLAZIONE
APRIETE A 45 ft-lbs (61NM) PARA LA REINSTALACIÓN**
- 4 TORQUE TO 30 ft-lbs (40NM) FOR RE-INSTALLATION
CLÉ DYNAMOMÉTRIQUE DE 30 ft-lbs (40NM) POUR LA RÉINSTALLATION
DREHMOMENT FÜR WIEDEREINBAU 30 ft-lbs (40NM)
COPPIA DI SERRAGGIO FINO A 40 NM PER LA REINSTALLAZIONE
APRIETE A 30 ft-lbs (40NM) PARA LA REINSTALACIÓN**
- 8 DRIVER'S SIDE ONLY
CÔTE CONDUCTEUR UNIQUEMENT
NUR FAHRERSEITE
SOLO LATO GUIDATORE
LADO DEL CONDUCTOR SOLAMENTE**
- 11 USE "ITEM "L" TO RE-INSTALL
UTILISER "L'ÉLÉMENT "L" POUR RÉINSTALLER
WIEDEREINBAU MIT „TEIL „L“
USARE "L'ARTICOLO L" PER LA REINSTALLAZIONE
USE EL ARTÍCULO "L" PARA REINSTALAR**
- 12,15 NOTE: ELEMENT MUST BE CENTERED ON SEAT. SPACING BETWEEN EDGE OF
ELEMENT AND INNER RIDGE OF CUSHION/PAD MUST BE EQUAL TO OPPOSITE
SIDE.
NOTE : L'ÉLÉMENT DOIT ÊTRE PLACE AU CENTRE DU SIÈGE. L'ESPACE ENTRE

LE BORD DE L'ÉLÉMENT ET LE REBORD DU COUSSIN DOIT ÊTRE ÉGAL DE
CHAQUE CÔTÉ.
WICHTIG: HEIZELEMENT MITTIG POSITIONIEREN. DER ABSTAND KANTE
HEIZELEMENT ZUR INNEREN RILLE SITZKISSEN/POLSTERUNG MUSS AUF
BEIDEN SEITEN GLEICH SEIN.
NOTA: L'ELEMENTO VA CENTRATO RISPETTO AL SEDILE. LO SPAZIO FRA IL

BORDO DELL'ELEMENTO E LA COSTA INTERNA DELLA
PROTEZIONE/IMBOTTITURA DEVE ESSERE EQUIVALENTE A QUELLO DEL LATO
OPPOSTO.
NOTA: EL ELEMENTO DEBE QUEDAR CENTRADO EN EL ASIENTO. EL
ESPACIAMIENTO ENTRE EL BORDE DEL ELEMENTO Y EL CABALLETE INTERNO
DEL COJÍN DEBE SER IGUAL EN EL LADO OPUESTO.**
- 12,15 REMOVE ADHESIVE BACKING PRIOR TO INSTALLATION
ENLEVER L'ADHÉSIF AVANT INSTALLATION
VOR EINBAU SELBSTKLEBE-ABDECKFOLIE ENTFERNEN
PRIMA DELL'INSTALLAZIONE, RIMUOVERE IL DORSO ADESIVO
RETIRE EL SOPORTE ADHESIVO ANTES DE LA INSTALACIÓN**

- 16 **NOTE: USE "ITEM J" TO TIE STRAP AS NEEDED.**
NOTE : UTILISER "L'ÉLÉMENT "J" POUR RESSERER LA LANIÈRE SELON LES BESOINS.
WICHTIG: MIT "TEIL J" NACH BEDARF FIXIEREN.
NOTA: SE NECESSARIO, USARE LA FASCETTA FERMACAVO, "ARTICOLO J".
NOTA: USE EL ARTÍCULO "J" PARA AJUSTAR LO NECESARIO EL AMARRE.
- 20 **NOTE: FOR EASE IN INSTALLATION CARPET CAN BE PULLED OUT.**
NOTE : POUR UNE INSTALLATION PLUS FACILE, LE TAPIS DE SOL PEUT ÊTRE RETIRÉ.
WICHTIG: ZUR LEICHTEREN MONTAGE KANN DER TEPPICH ANGEHOBEN WERDEN.
NOTA: PER FACILITARE L'INSTALLAZIONE, È POSSIBILE STACCARE IL TAPPETINO.
NOTA: SE PUEDE LEVANTAR LA ALFOMBRA PARA FACILITAR LA INSTALACIÓN.
- 21 **REPEAT STEPS 2-17 & 20 FOR OPPOSITE SIDE**
RÉPÉTER LES ÉTAPES 2-17 & 20 POUR L'AUTRE CÔTÉ
SCHRITTE 2-17 & 20 FÜR ZWEITEN SITZ WIEDERHOLEN
RIPETERE I PASSAGGI 2-17 E 20 PER IL LATO OPPOSTO
REPITA LOS PASOS 2-17 y 20 EN EL LADO OPUESTO
- 25 **DRIVER PASS**
CONDUCTEUR PASS
FAHRER BEIF.
DRIVER PASSANTE
CONDUCTOR PASAJERO
- 27 **CENTER TEMPLATE ONTO BEZEL.**
CENTRER MAQUETTE SUR COLLERETTE.
SCHABLONE AUF BLENDE ZENTRIEREN.
CENTRARE LA MASCHERINA SULLA CORNICE.
PLANTILLA DE CENTRO SOBRE BISEL.
- 33 **NOTE: REVERSE REMOVAL STEPS 19, 18, 14, 13, 10-1 FOR RE-INSTALLATION**
NOTE : INVERSER LES ÉTAPES DE DÉSINSTALLATION 19, 18, 14, 13, 10-1 POUR LA
REINSTALLATION
WICHTIG: ZUM EINBAUABSCHLUSS SCHRITTE 19, 18, 14, 13, 10-1 UMKEHREN
NOTA: PER LA REINSTALLAZIONE, INVERTIRE I PASSAGGI RELATIVI ALLA RIMOZIONE 19, 18, 14, 13, 10-1
NOTA: PASOS REVERSOS 19, 18, 14, 13, 10-1 DEL RETIRO PARA LA REINSTALACIÓN