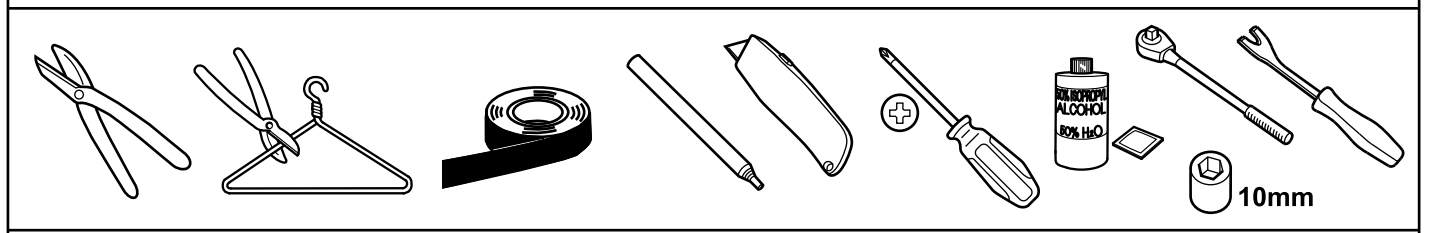
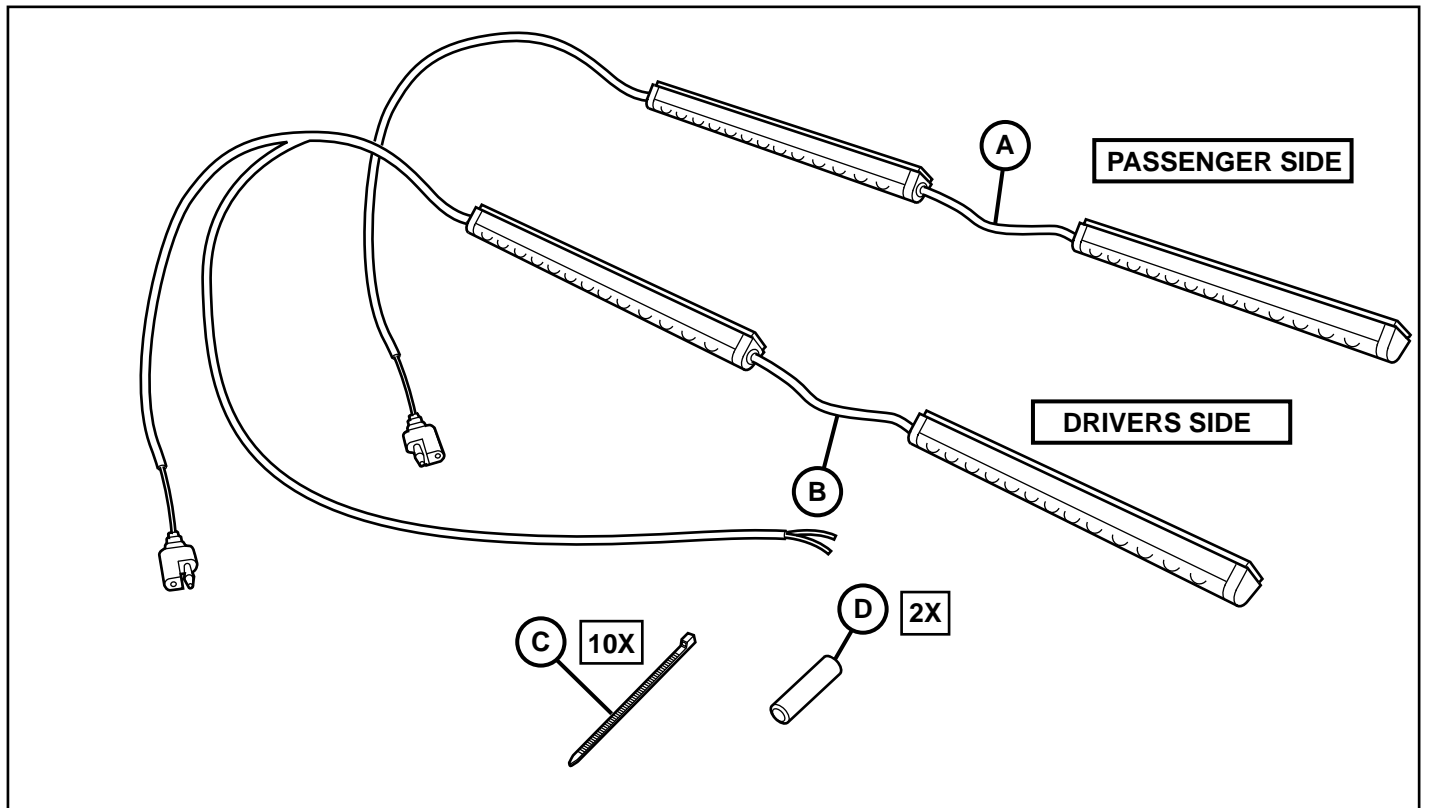
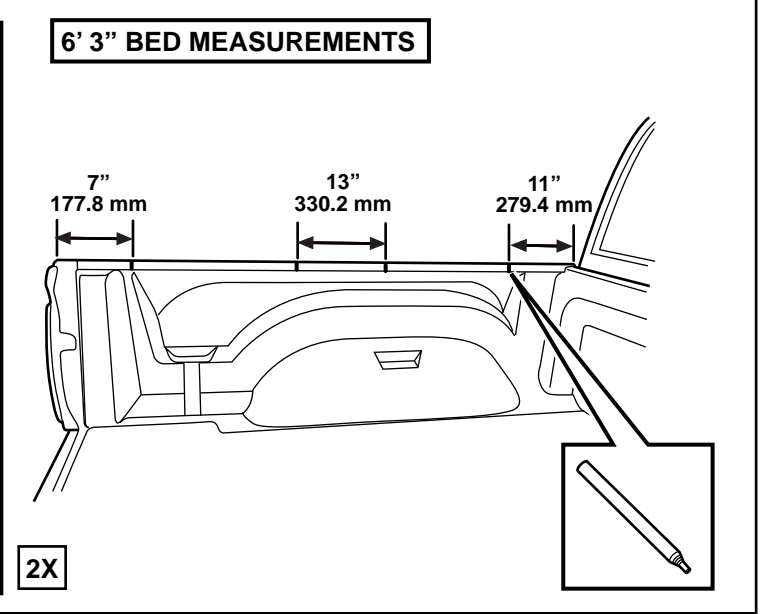
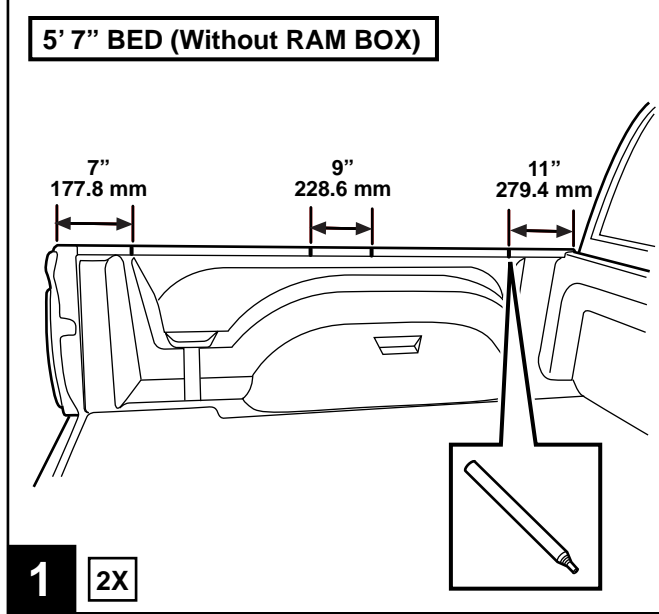




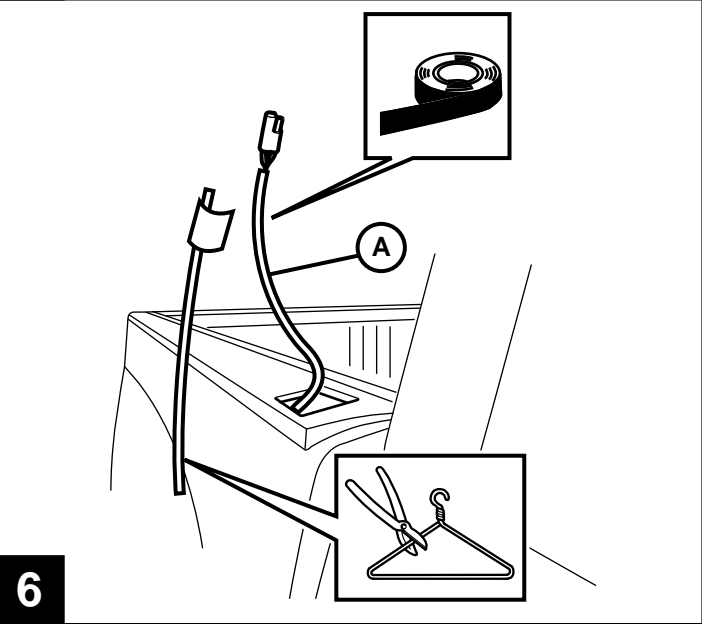
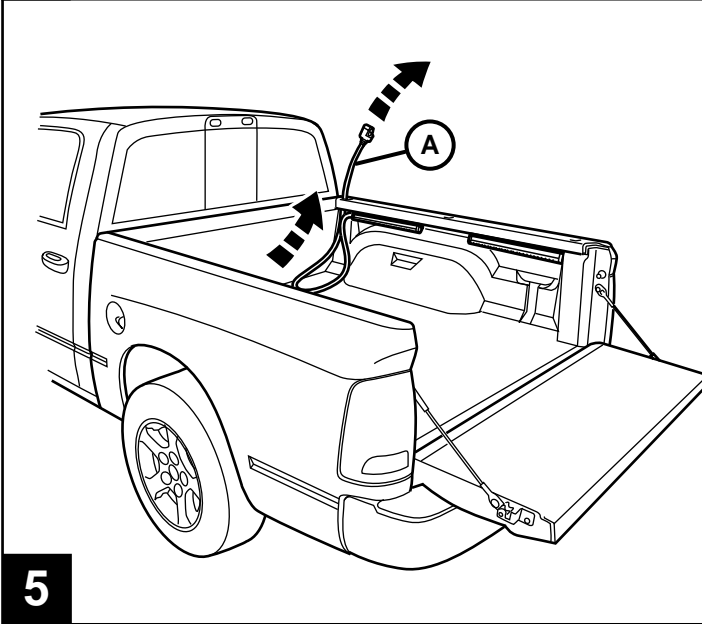
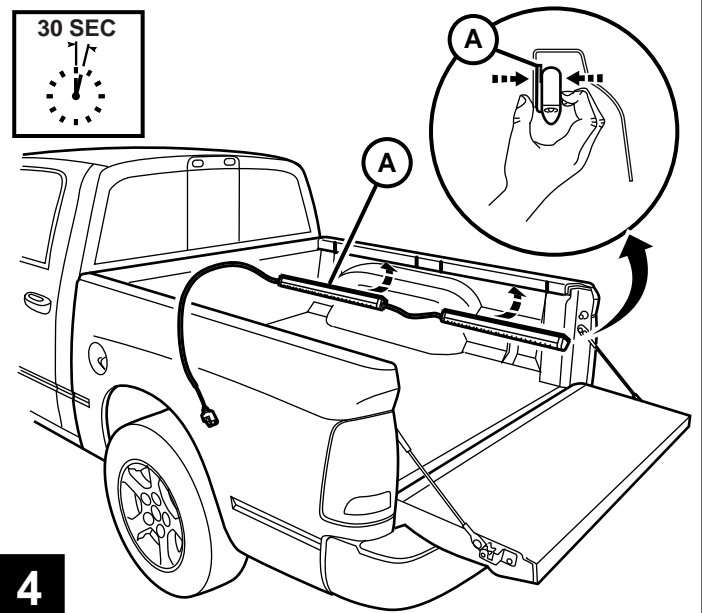
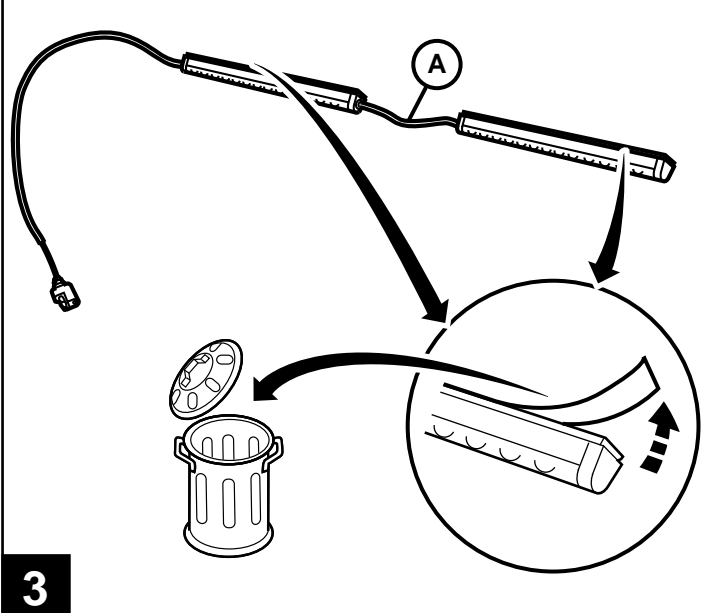
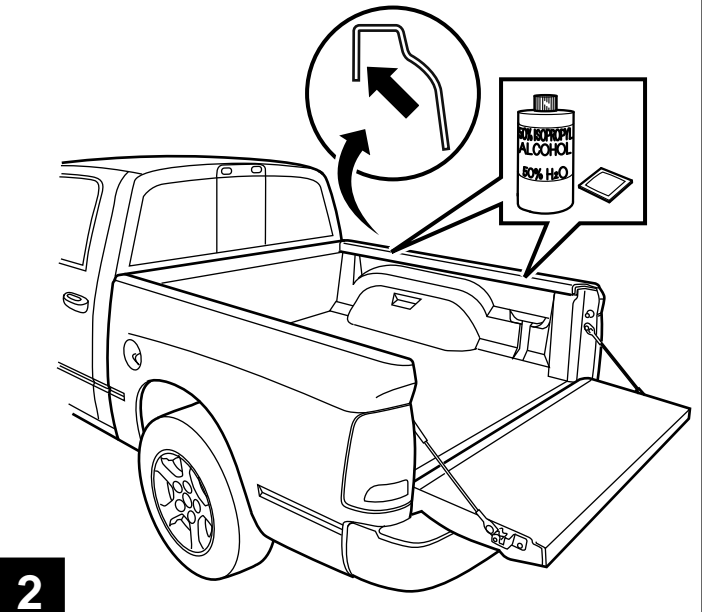
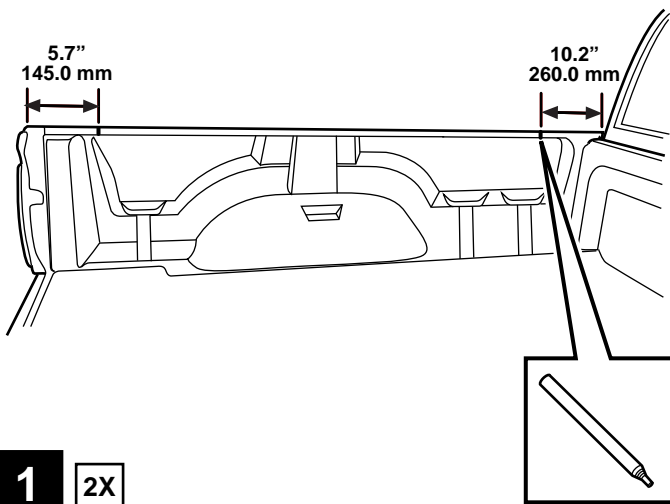
# DODGE RAM Truck Bed Lighting Kit

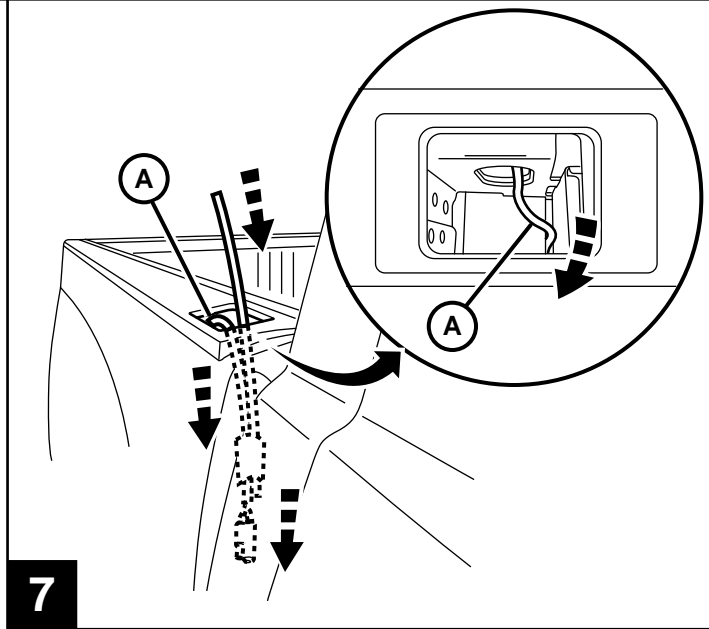


**SOME BED COVER SYSTEMS MAY REQUIRE MODIFYING THE LIGHT'S LOCATIONS**

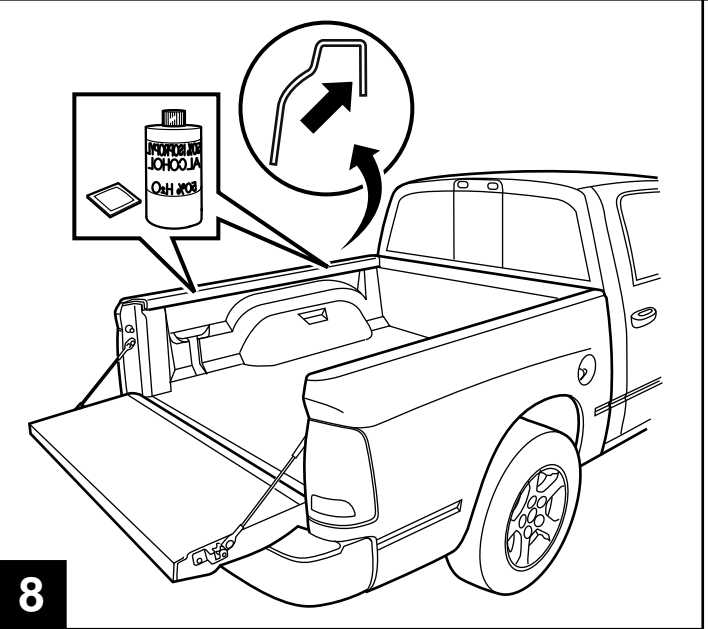


# 8' 0" BED MEASUREMENTS

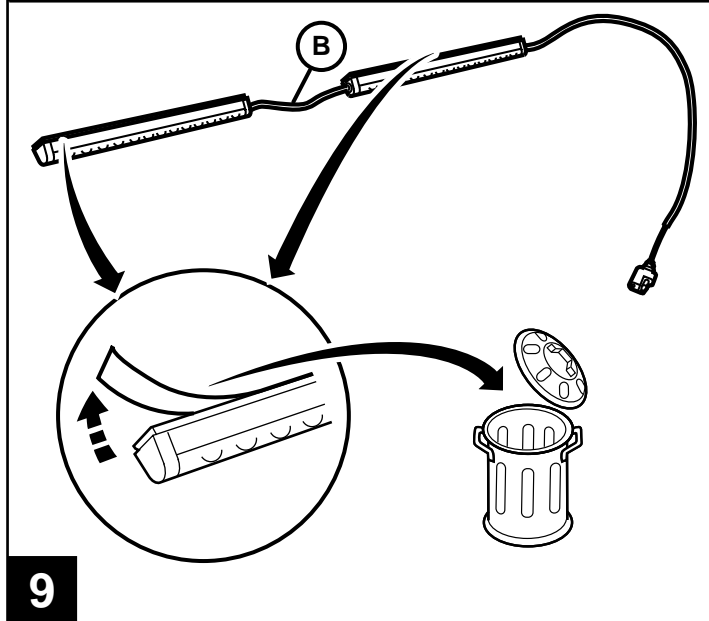




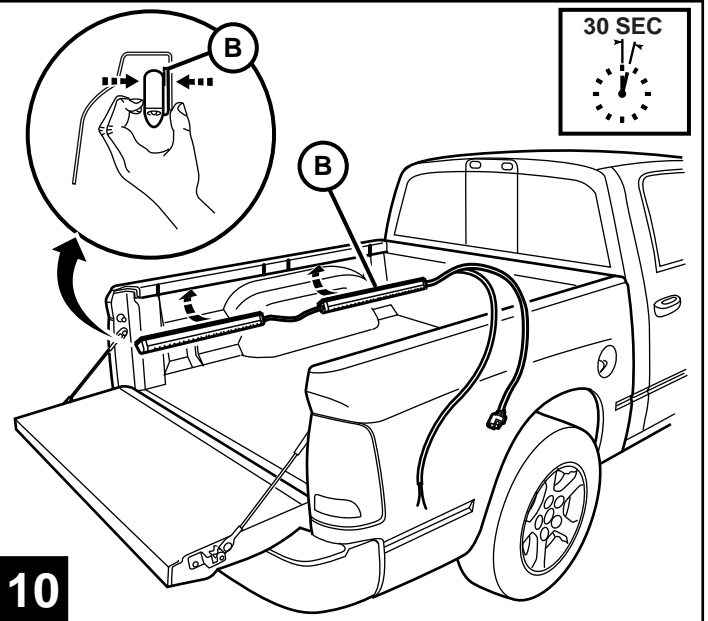
7



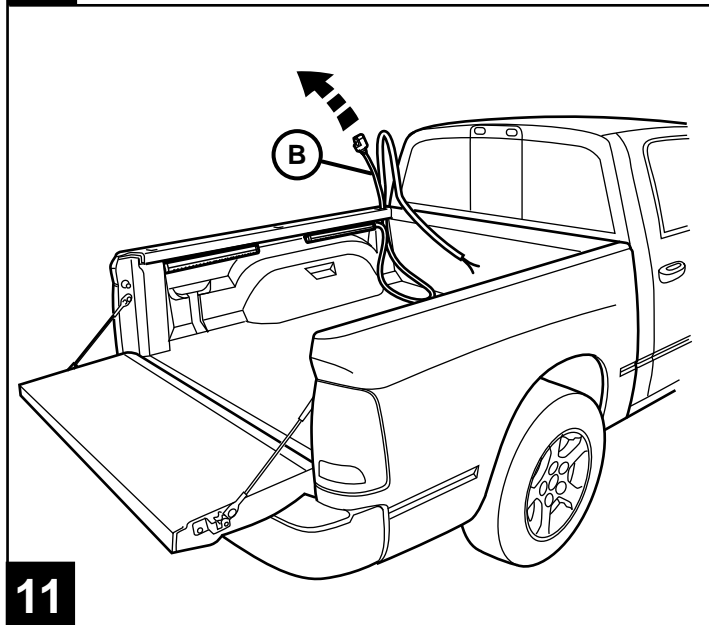
8



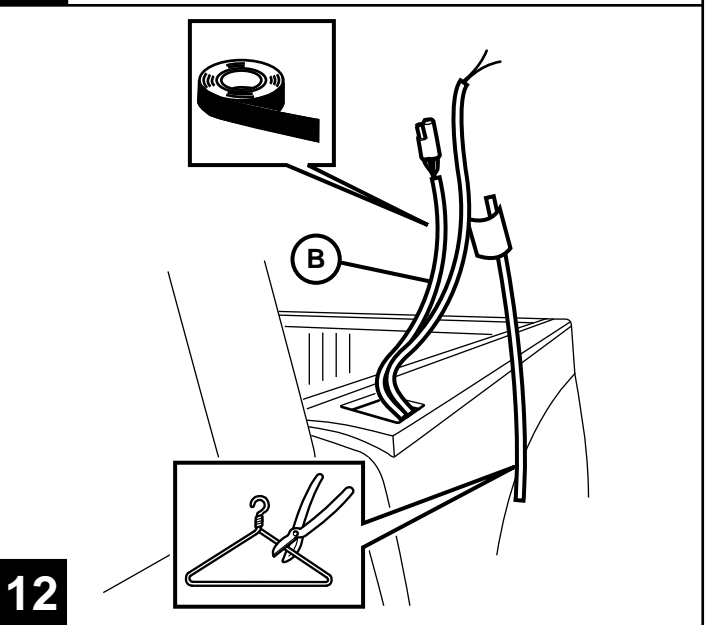
9



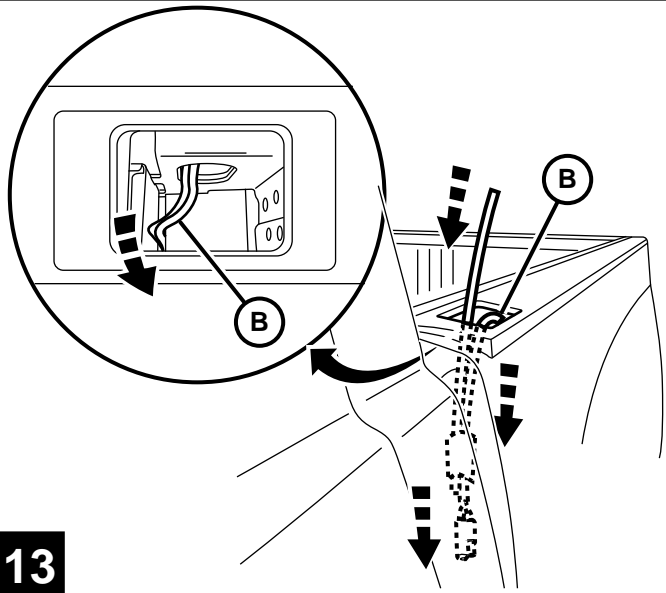
10



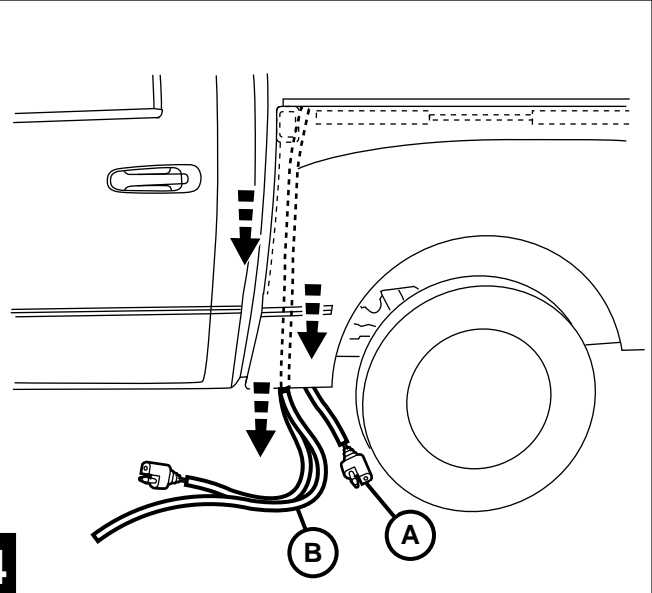
11



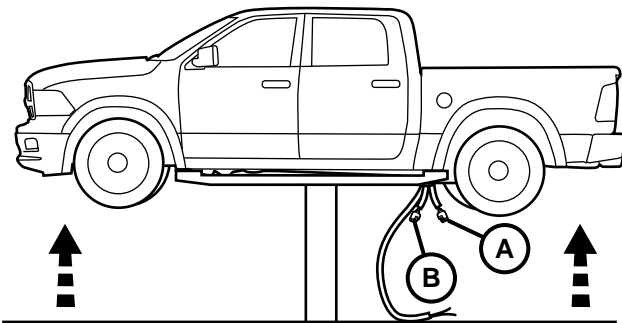
12



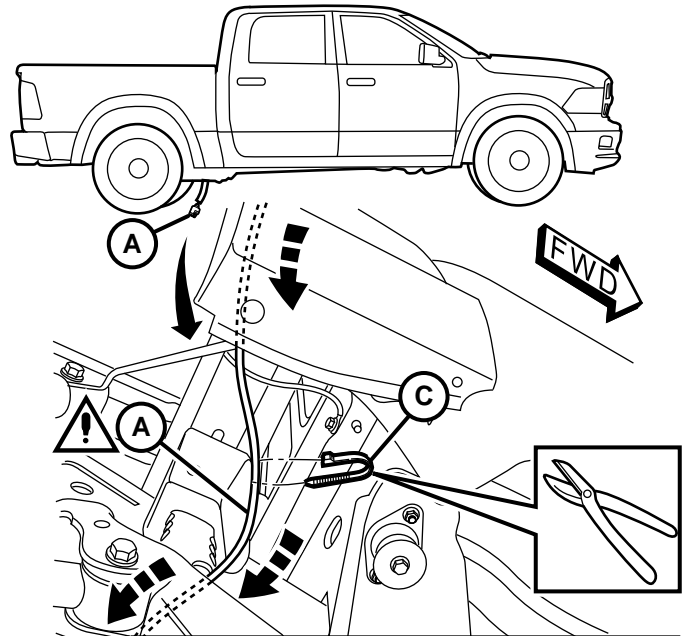
13



14

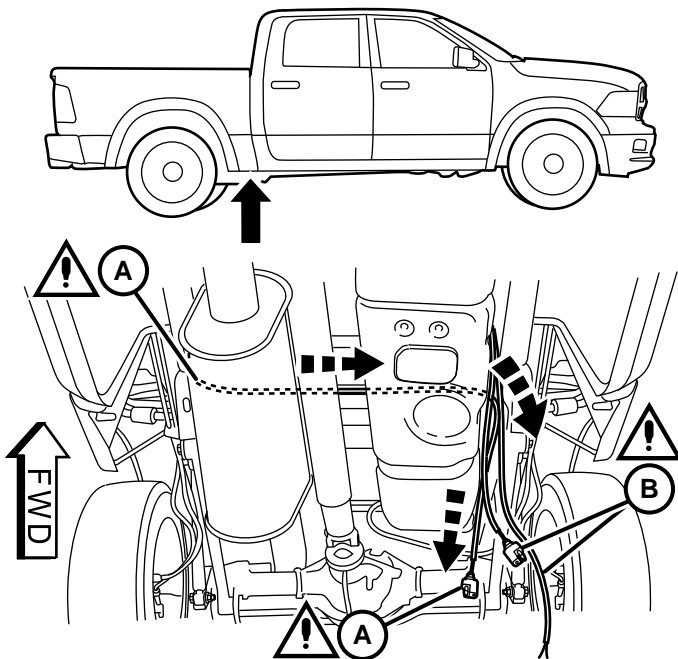


15



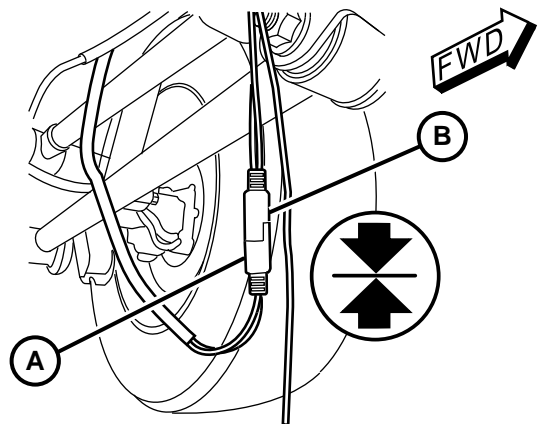
**! ROUTE HARNESSES AWAY FROM ANY MOVING PARTS OR EXHAUST SYSTEM**

16



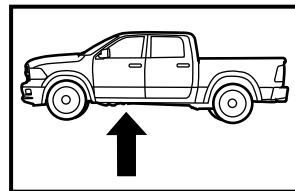
17

**! ROUTE HARNESSES AWAY FROM ANY MOVING PARTS OR EXHAUST SYSTEM**

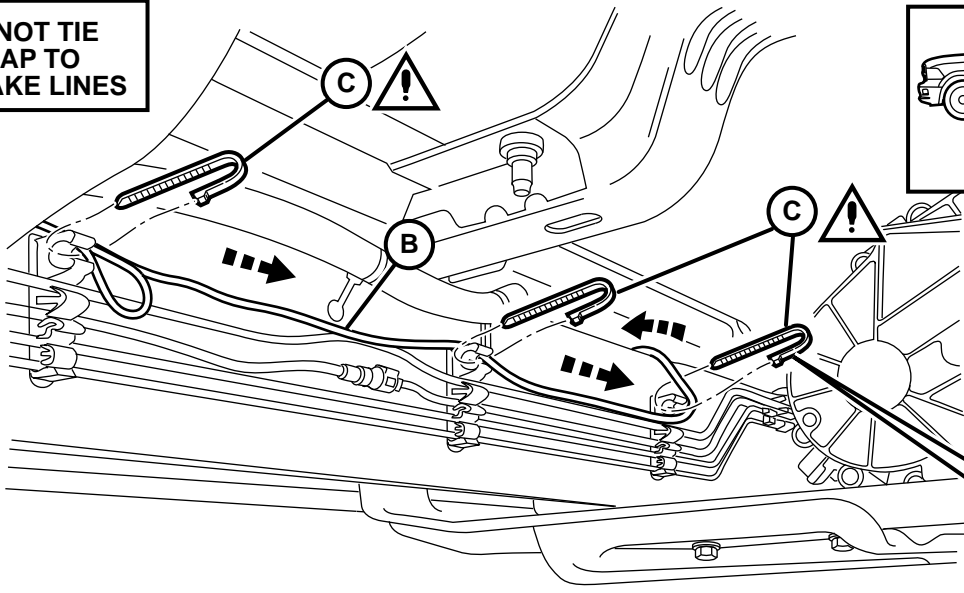


18

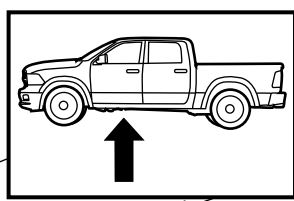
**DO NOT TIE STRAP TO BRAKE LINES**



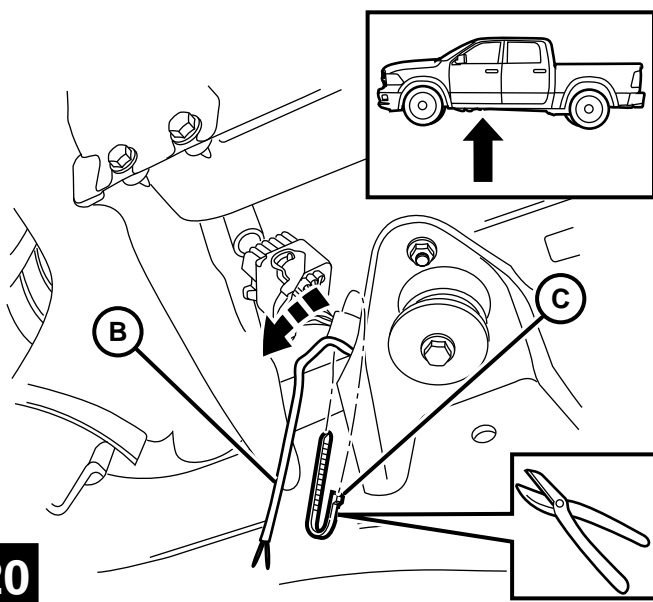
**FWD**



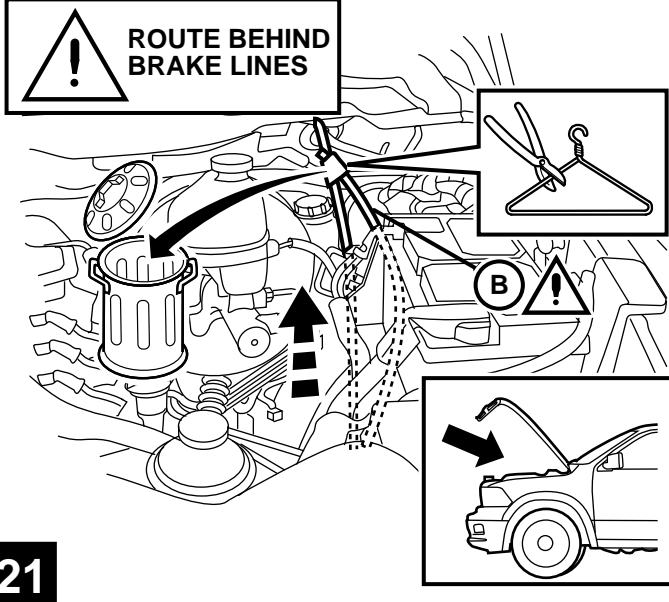
**19**



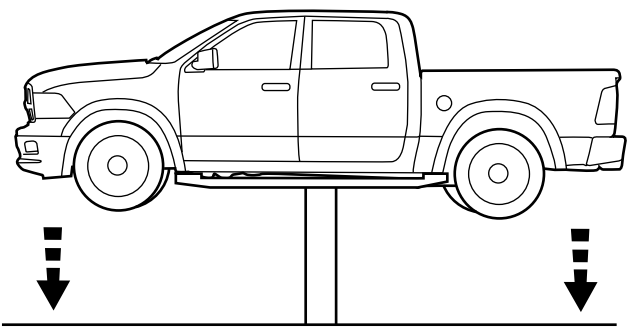
**ROUTE BEHIND BRAKE LINES**



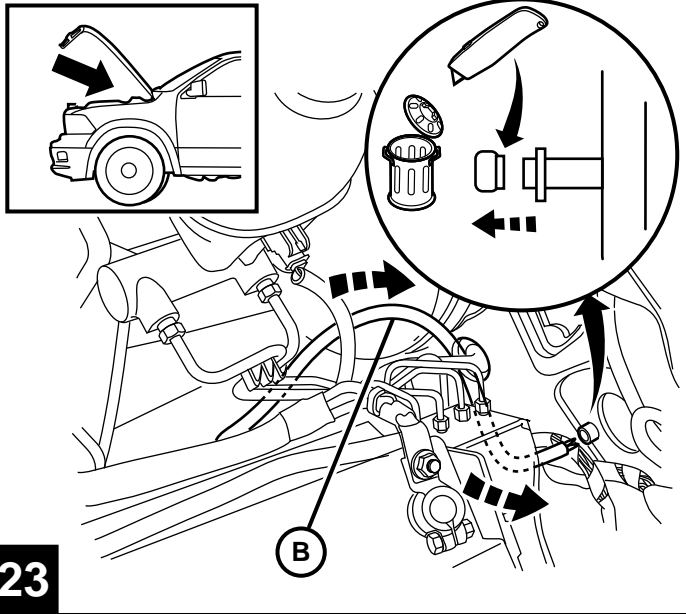
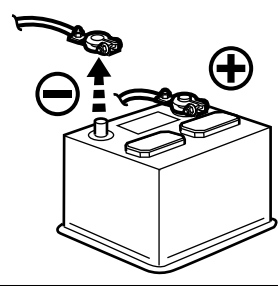
**20**



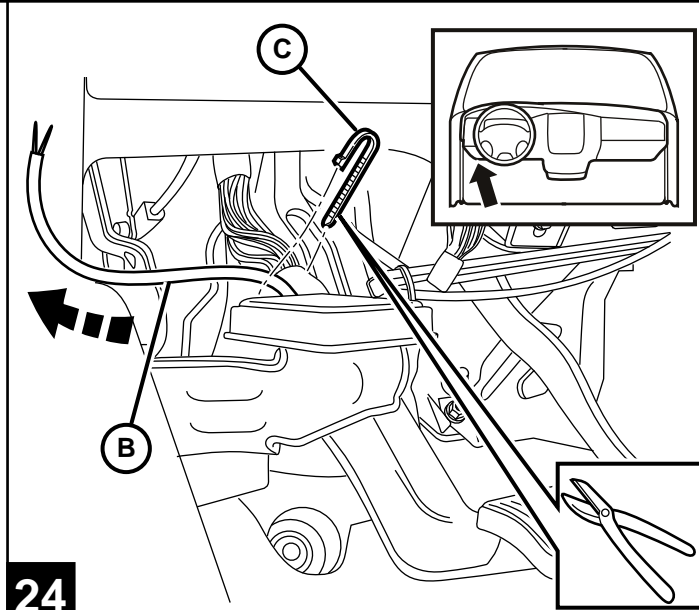
**21**



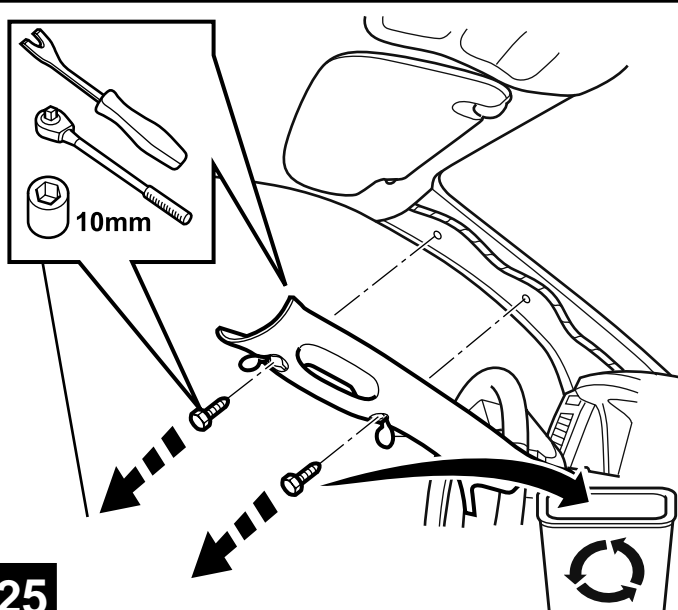
**22**



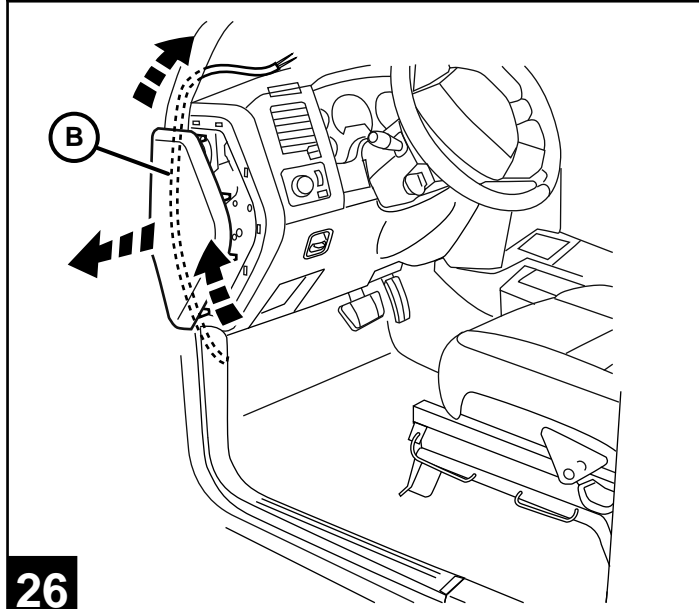
**23**



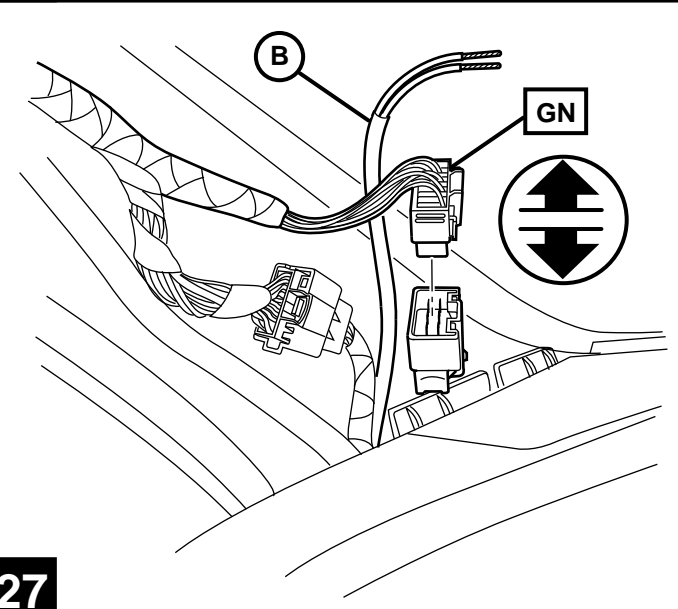
24



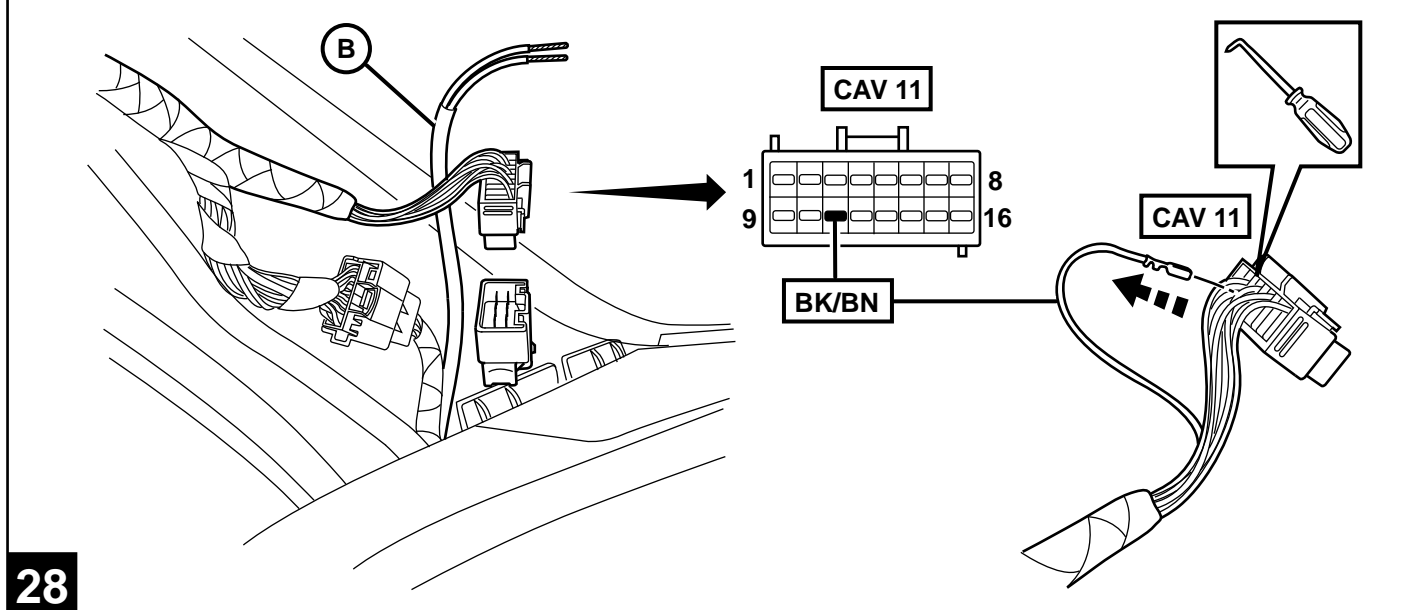
25



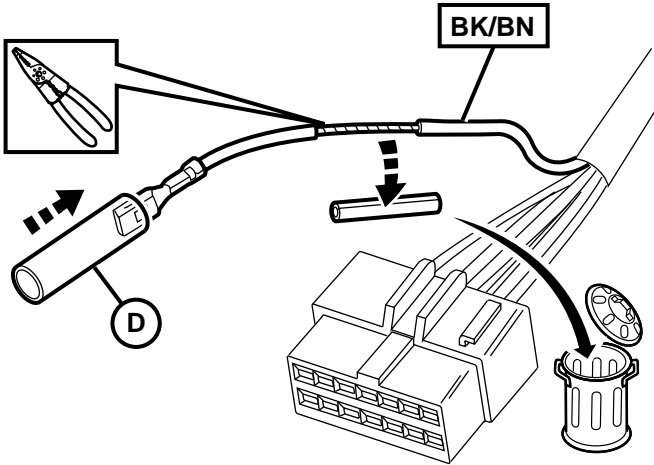
26



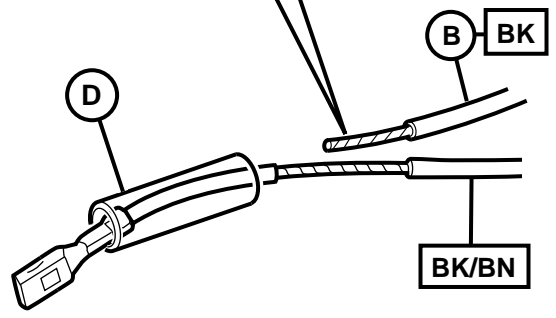
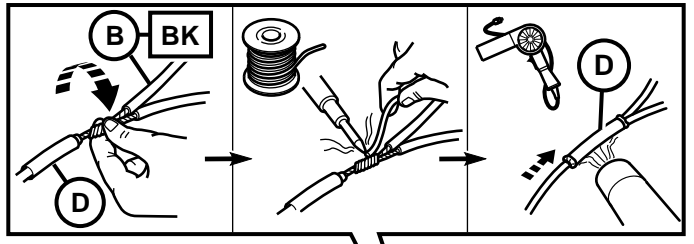
27



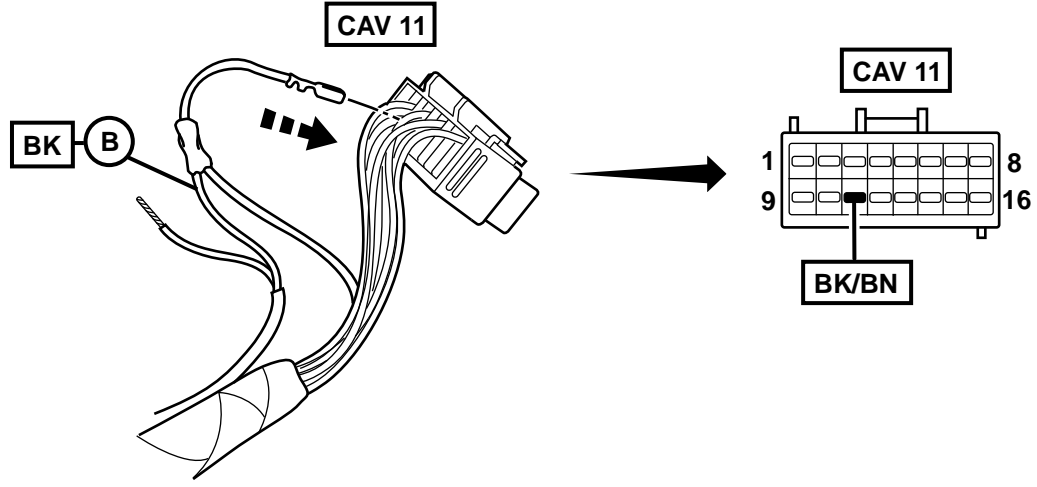
28



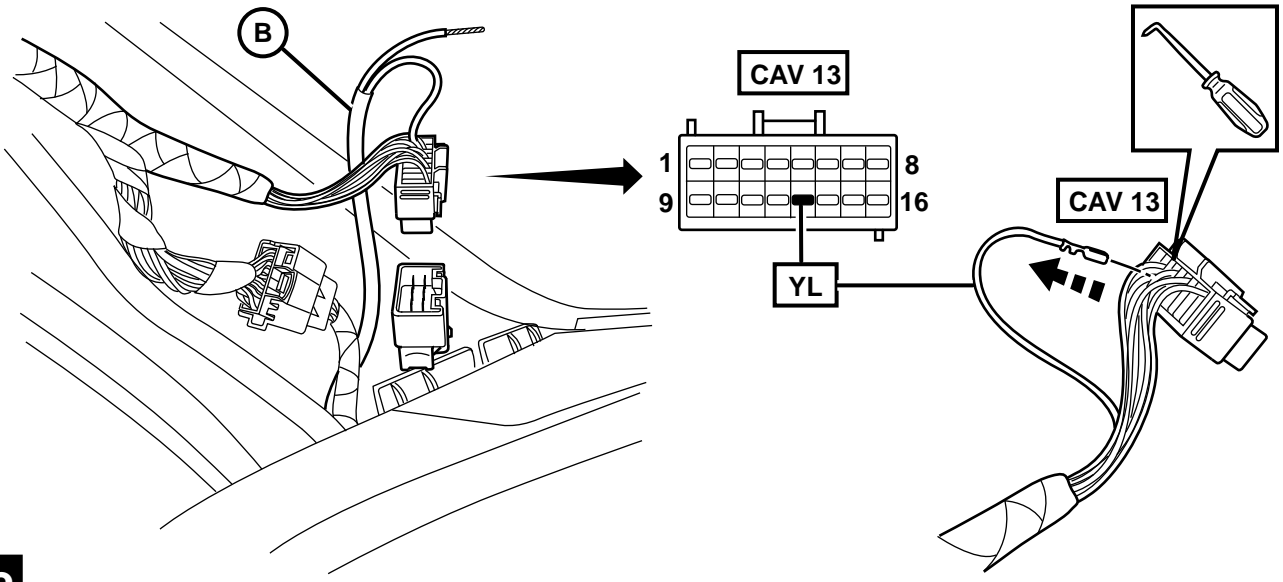
29



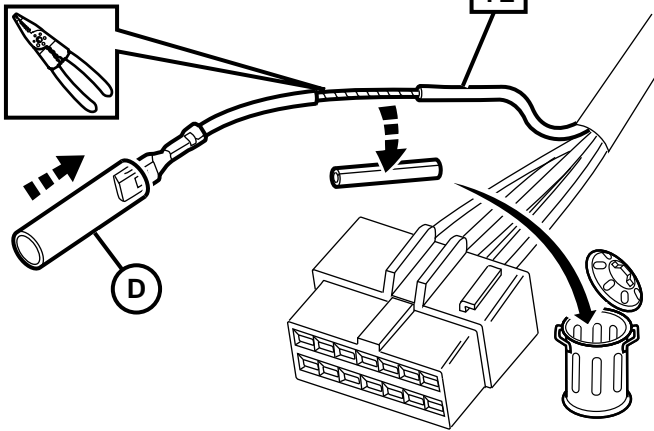
30



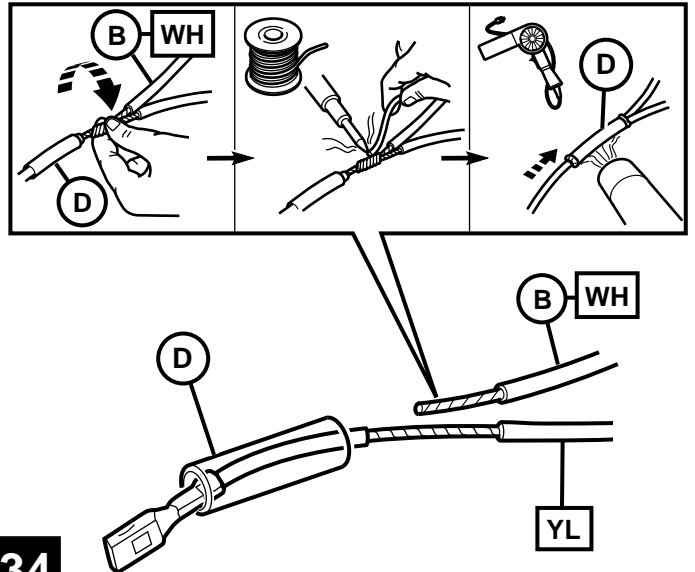
31



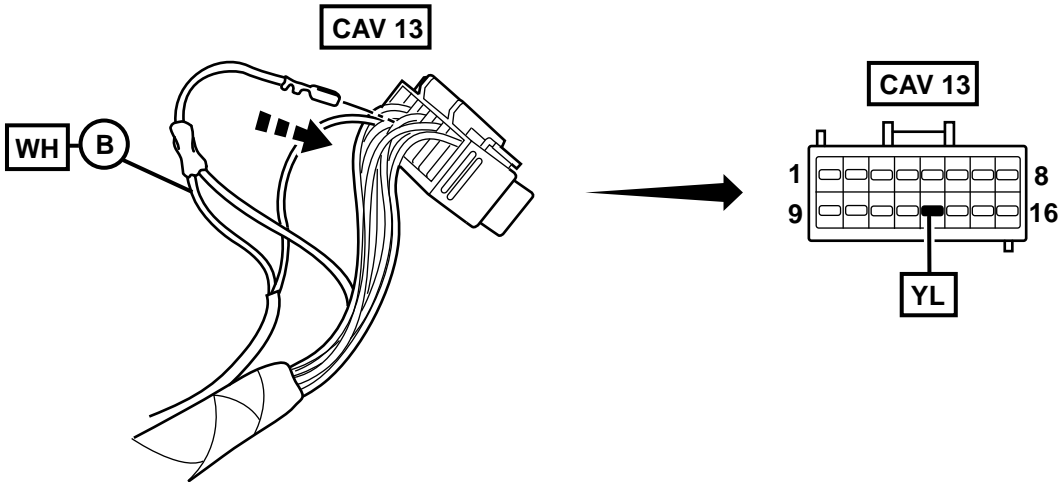
32



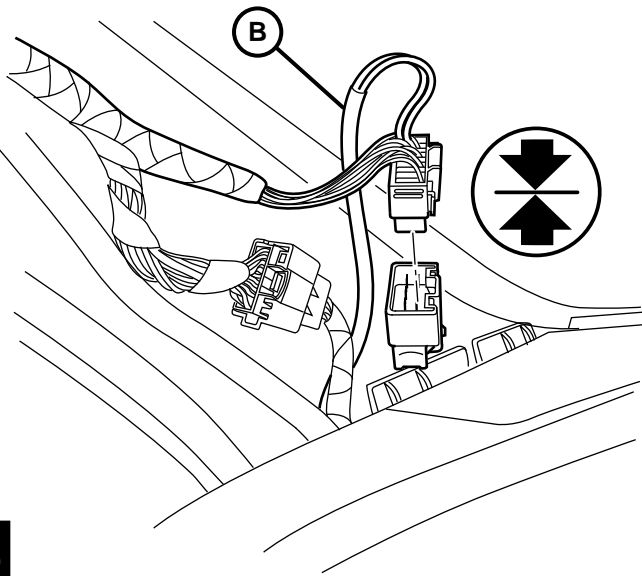
33



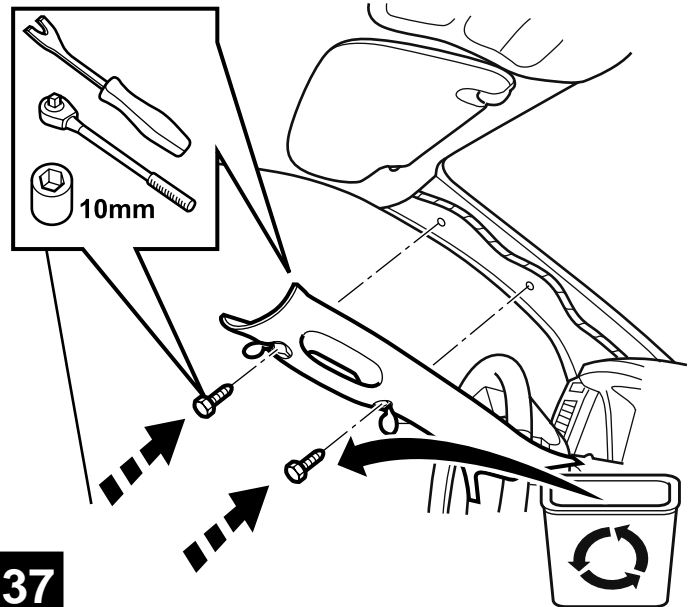
34



35

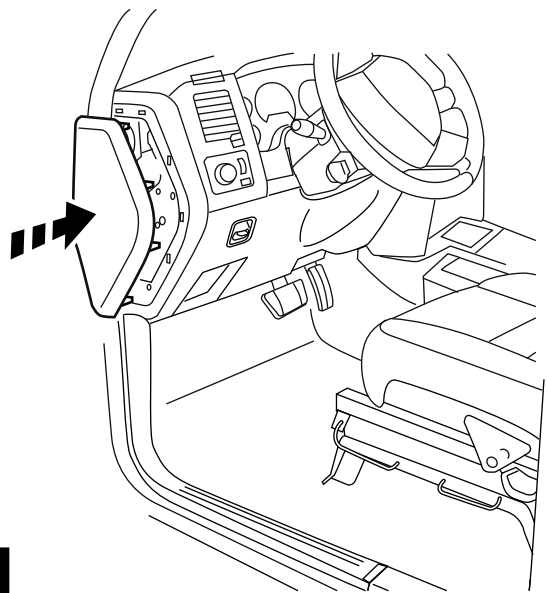


36

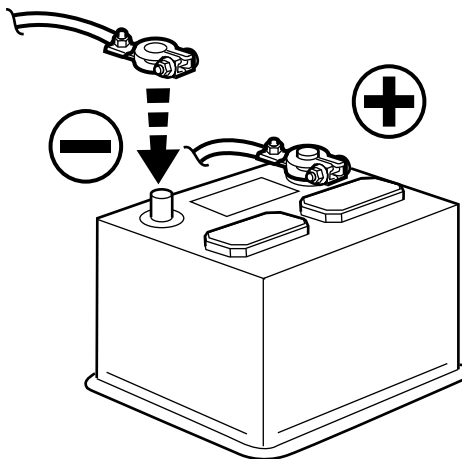


37

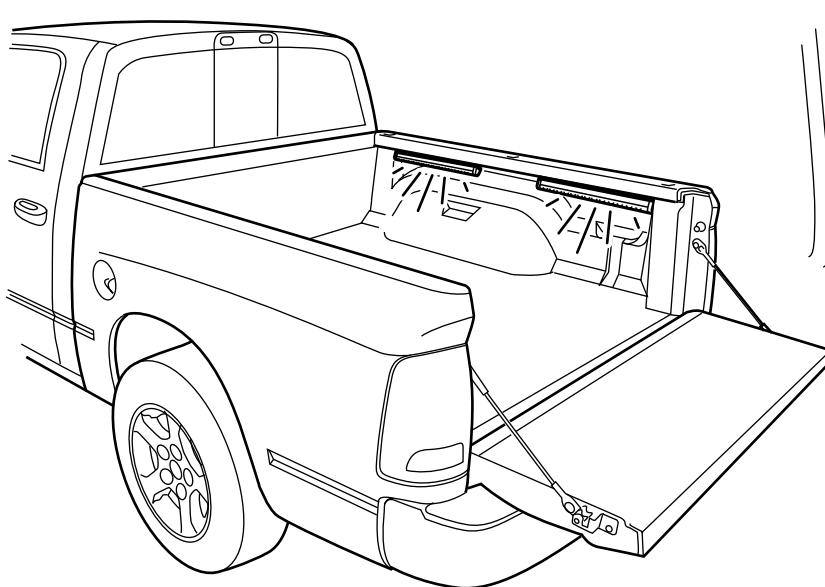




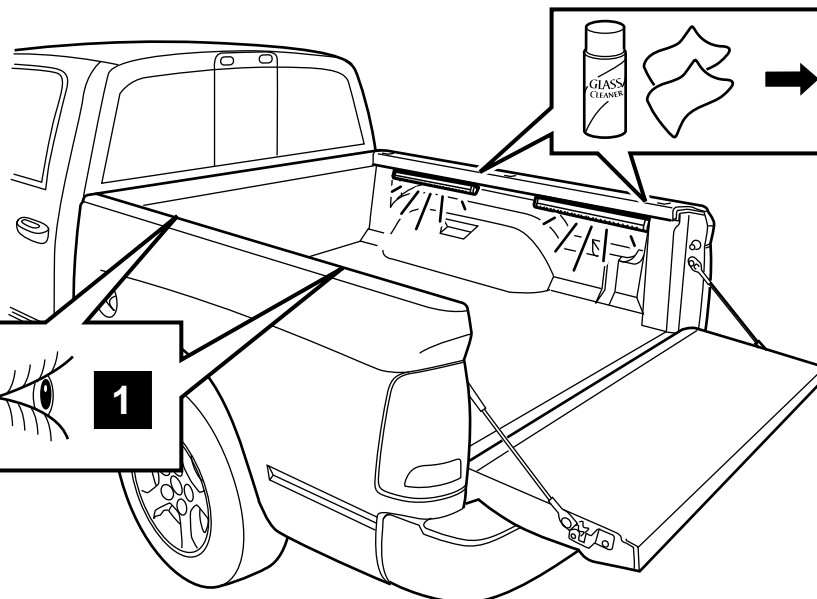
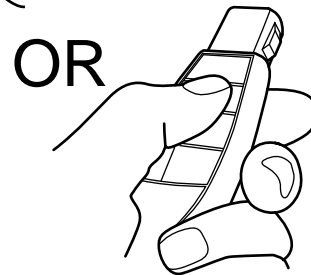
38



39



40



41