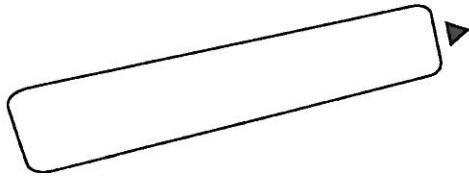


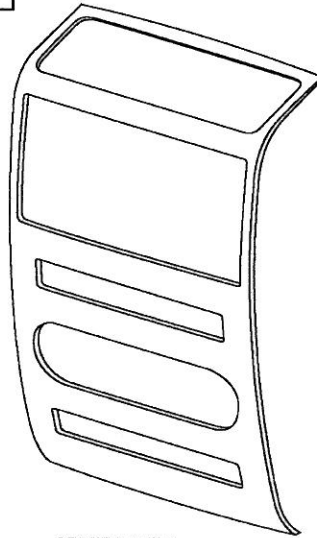


DODGE RAM INTERIOR TRIM APPLIQUÉS

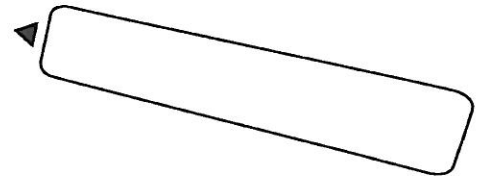
▶ Indicates forward directional installation



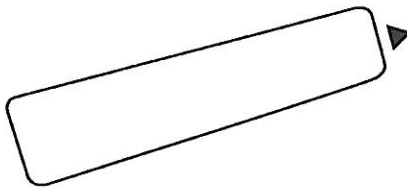
FRONT DRIVER DOOR PANEL
2552-01



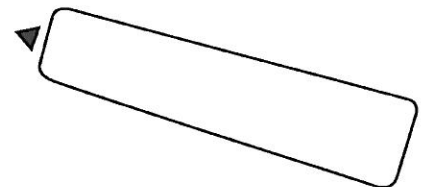
CENTER BEZEL
2554-01



FRONT PASSENGER DOOR PANEL
2552-02



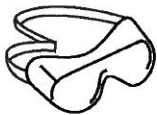
REAR DRIVER DOOR PANEL*
2550-01



REAR PASSENGER DOOR PANEL*
2550-02

A *Four door equipped vehicles only

*Four door equipped vehicles only



GOGGLES

B EYE PROTECTION



ALCOHOL PAD

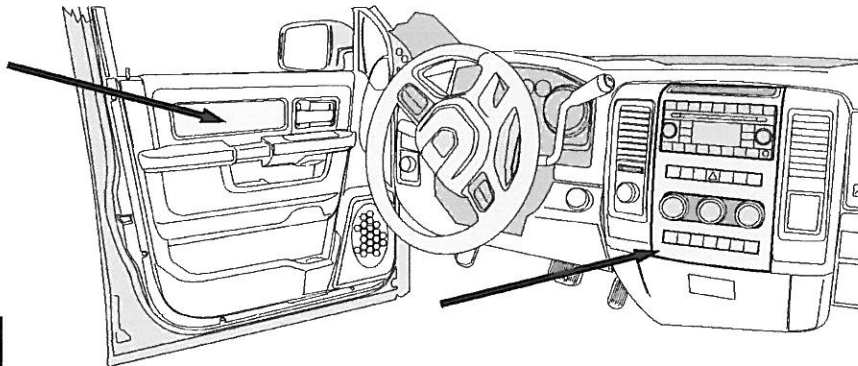
C PREP KIT



CLEANING CLOTH



GLOVE



97°F
35°C
52°F
15°C



1

2

APPLICATION:

- Clean areas to be covered with interior trim using Prep Solution (not included) & allow to dry for 2 minutes. (recommended)
- Clean areas to be covered with interior trim using Isopropyl Alcohol Swab & allow to dry for 2 minutes.
- When cleaning, constantly use a new section of towel as you move from area to area.
- **Warning:** Cleaning solvents may cause discoloration to vinyl. Be careful to clean only those areas which will be covered by interior trim kit.

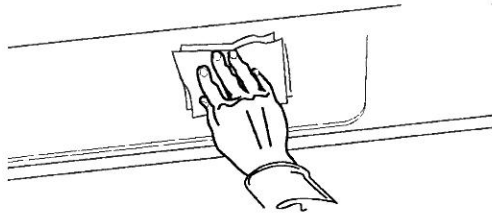
IMPORTANT NOTICE

Prior to installation, check the entire kit for possible damage or defects.
If damage is found, contact Vendor for a replacement.

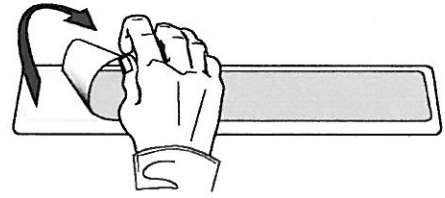
3

DO NOT INSTALL ANY PARTS. YOU MUST RETURN THE COMPLETE KIT IF YOU WISH TO MAKE A WARRANTY CLAIM.

!! DRY FIT ALL PARTS PRIOR TO FINAL INSTALLATION !!

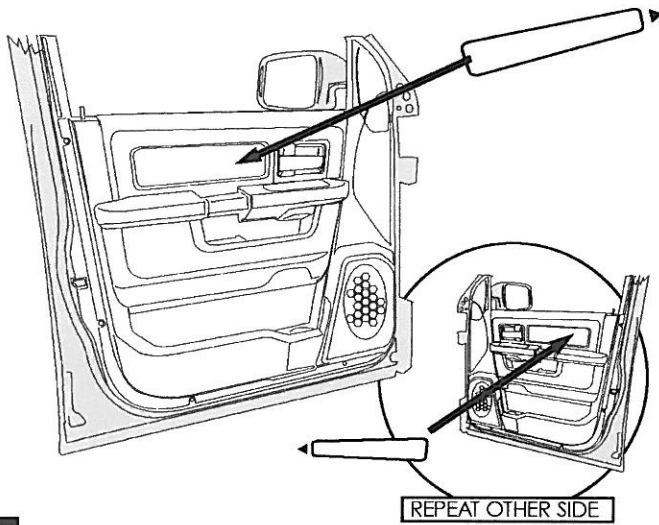
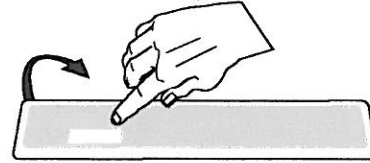


4 CLEAN ALL APPLICABLE SURFACES

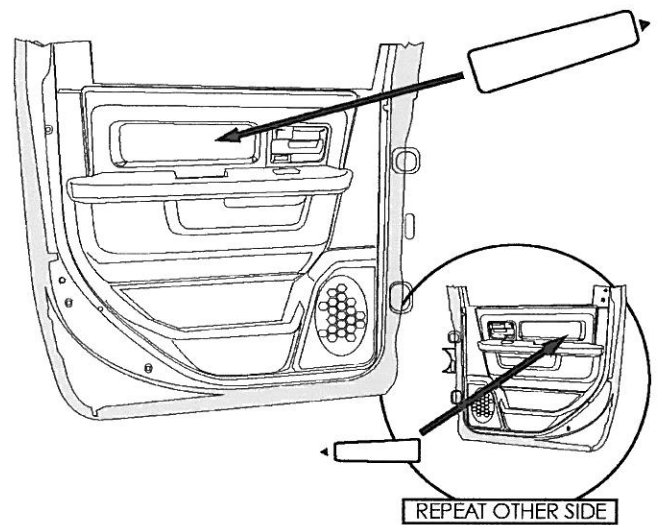


5 REMOVE TAPE LINER PRIOR TO APPLICATION

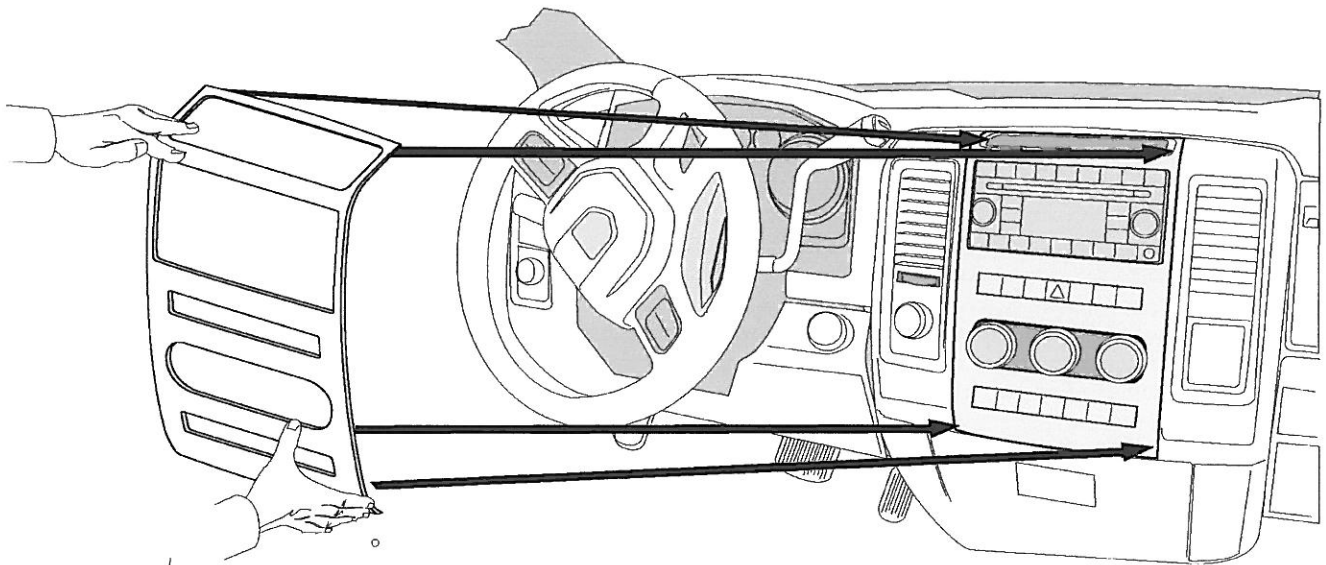
NOTE: LOOK FOR PART LABELING ON BACK TO ENSURE PROPER INSTALLATION



6 FRONT DRIVER DOOR



7 REAR DRIVER DOOR *Four door equipped vehicles only



8 CENTER CONSOLE