

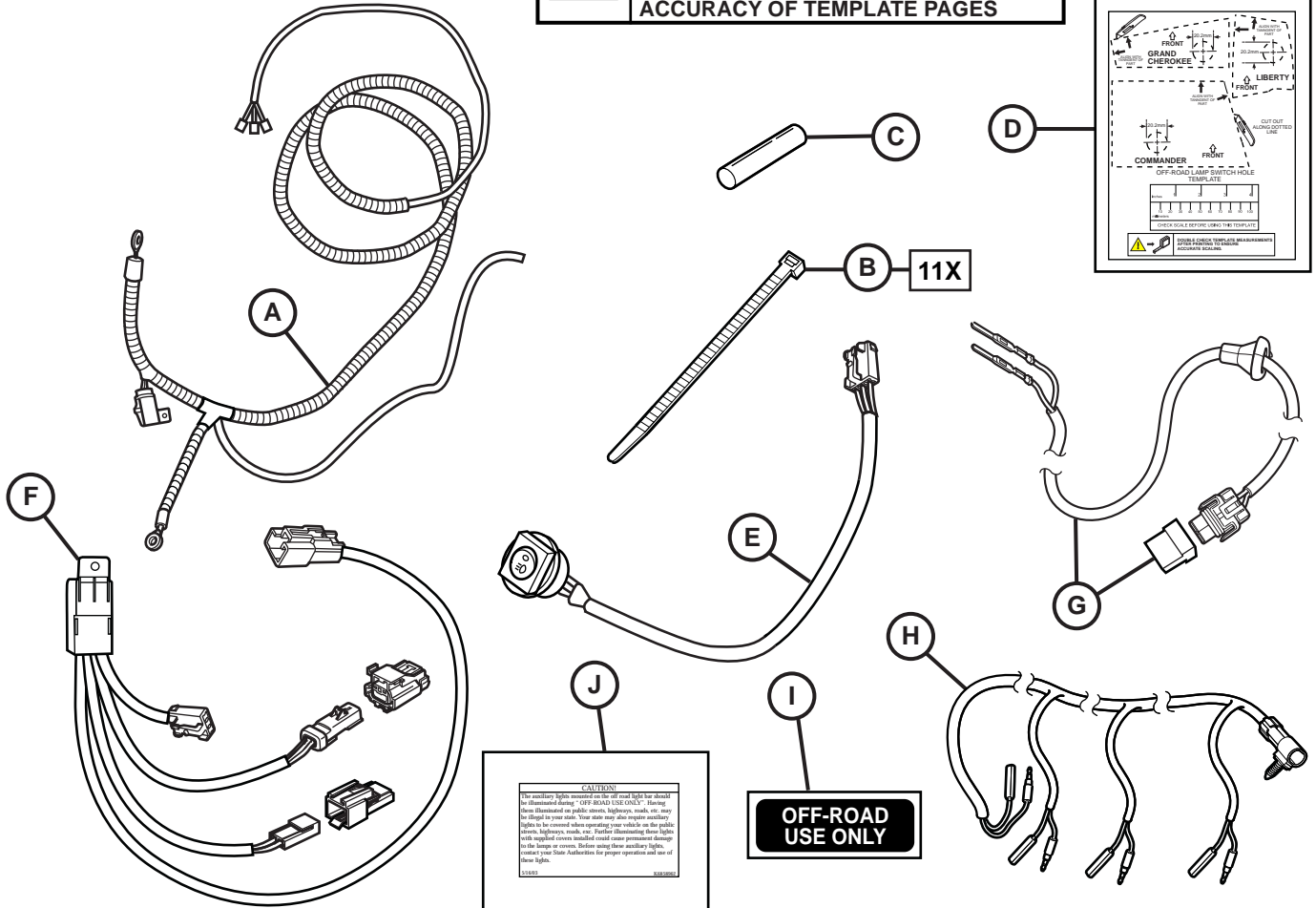
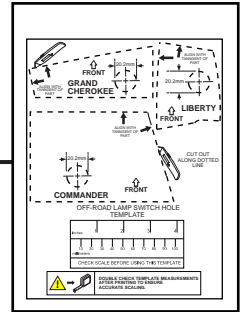


# JEEP LIBERTY/GRAND CHEROKEE /COMMANDER Off Road Lamps (Roof Mount)

**FOR OFF ROAD USE ONLY**

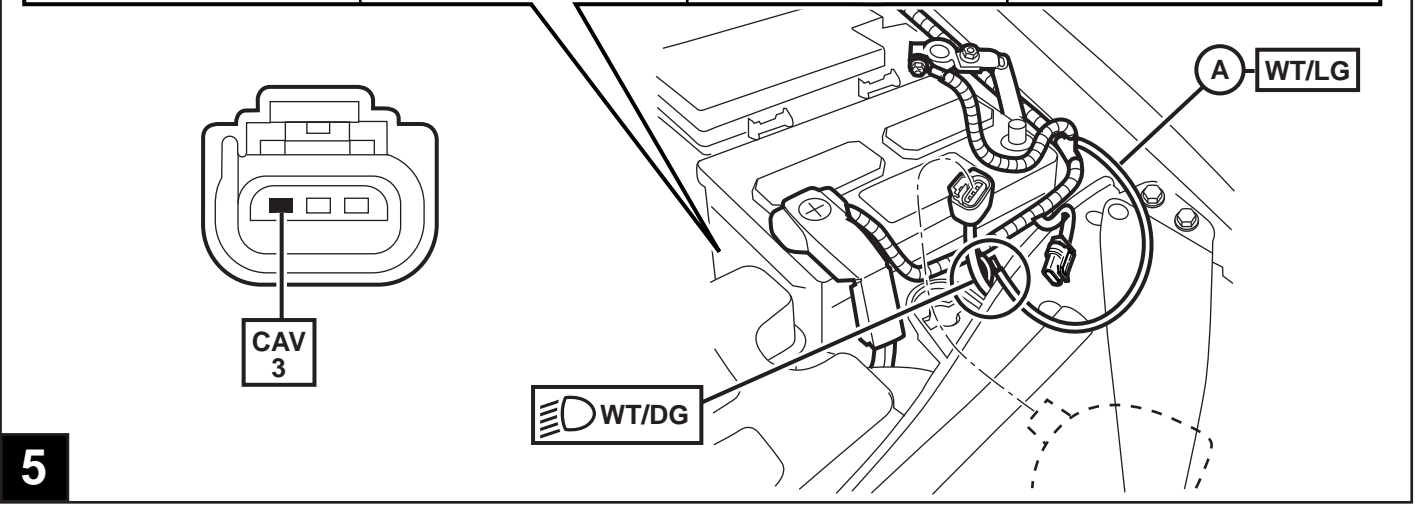
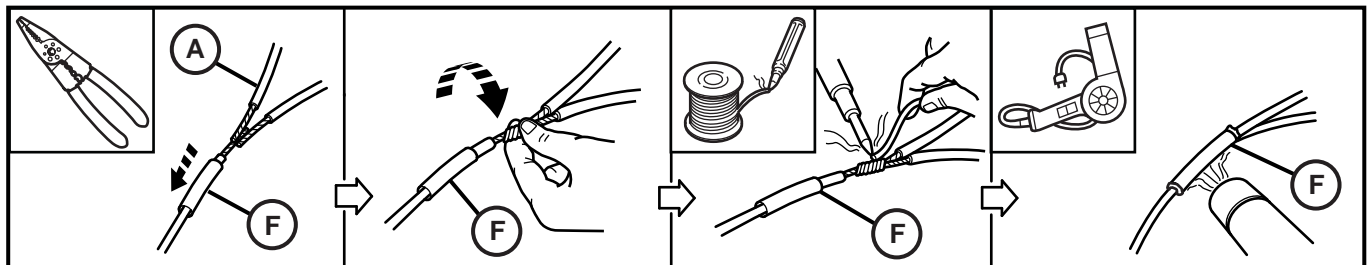
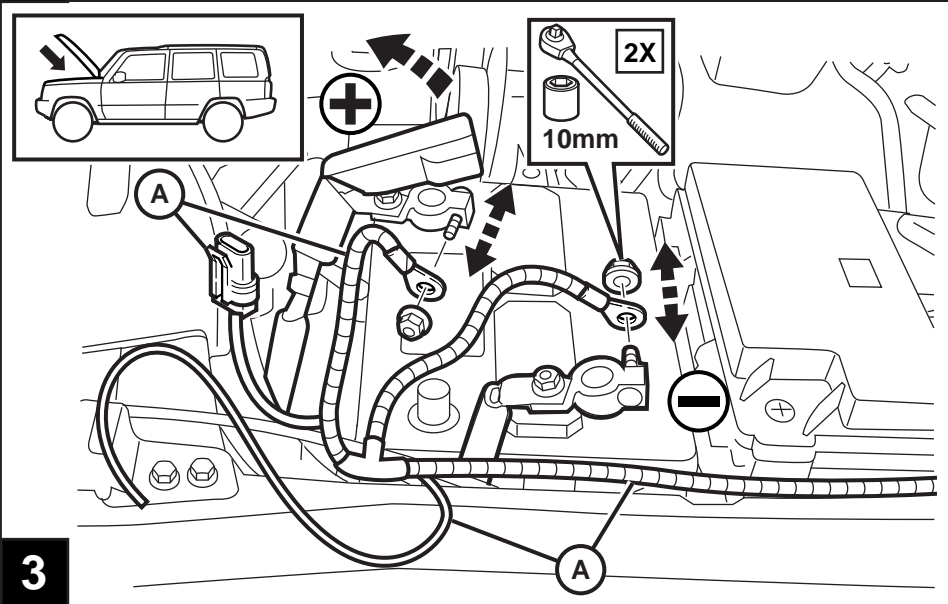
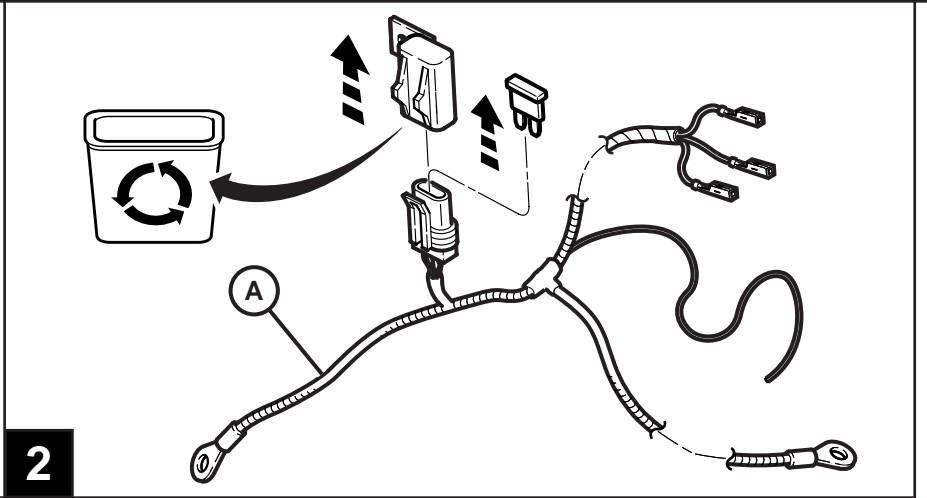
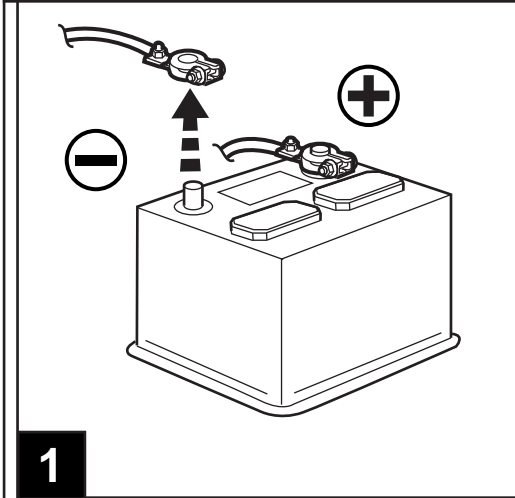


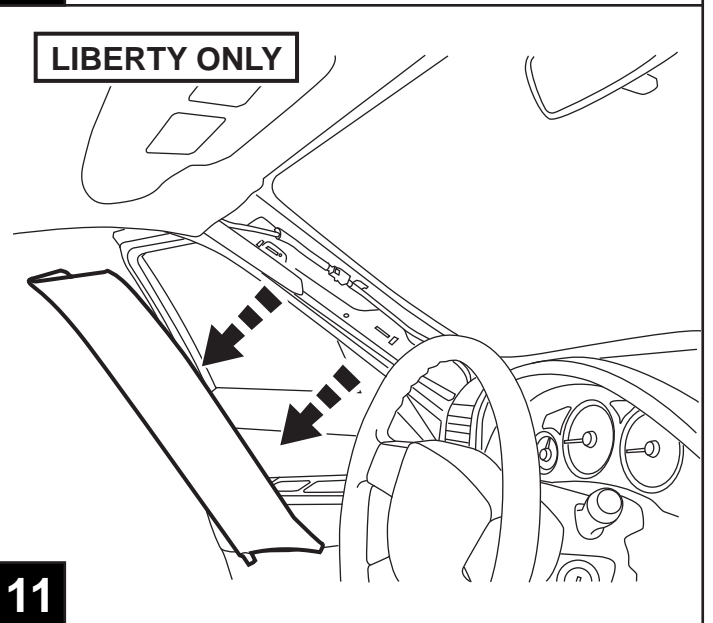
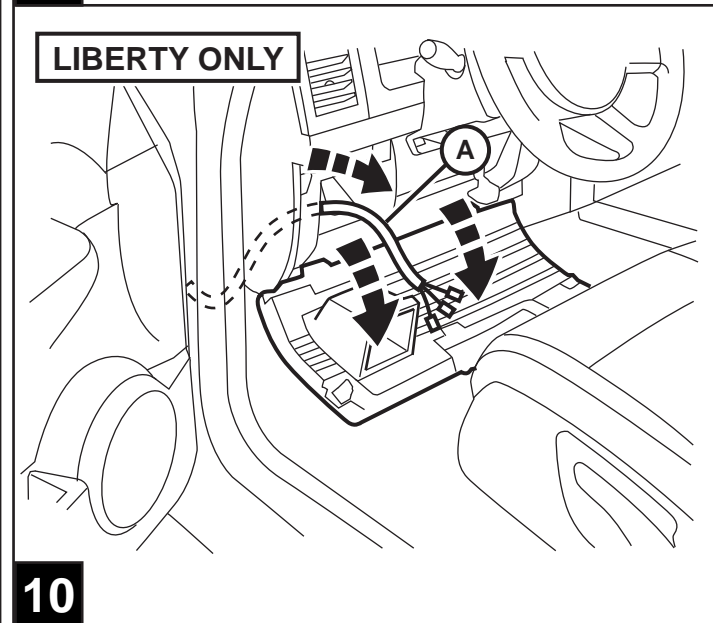
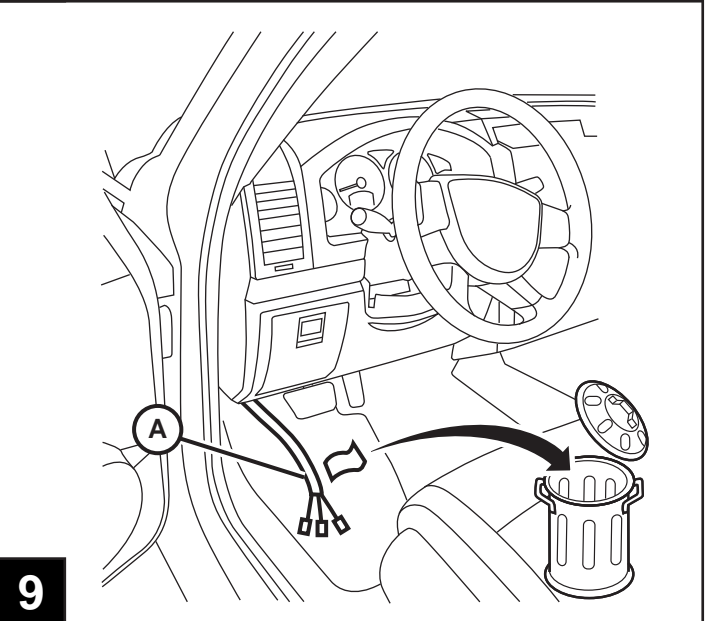
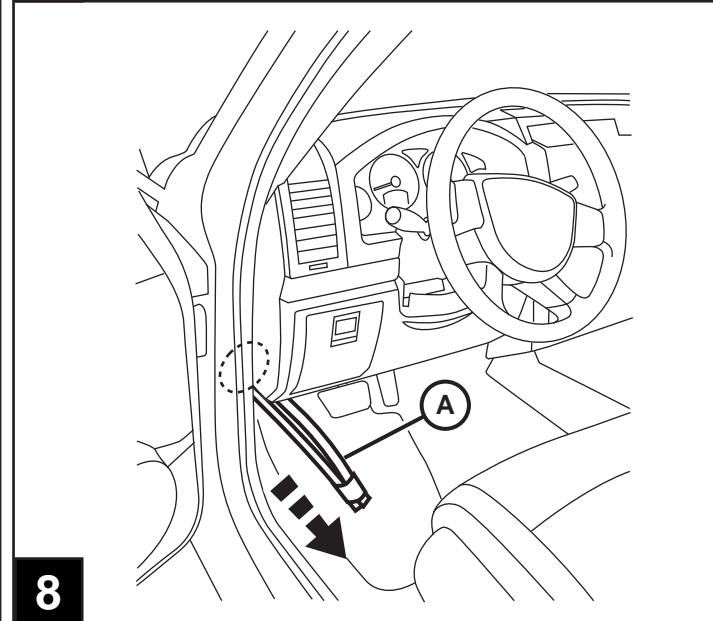
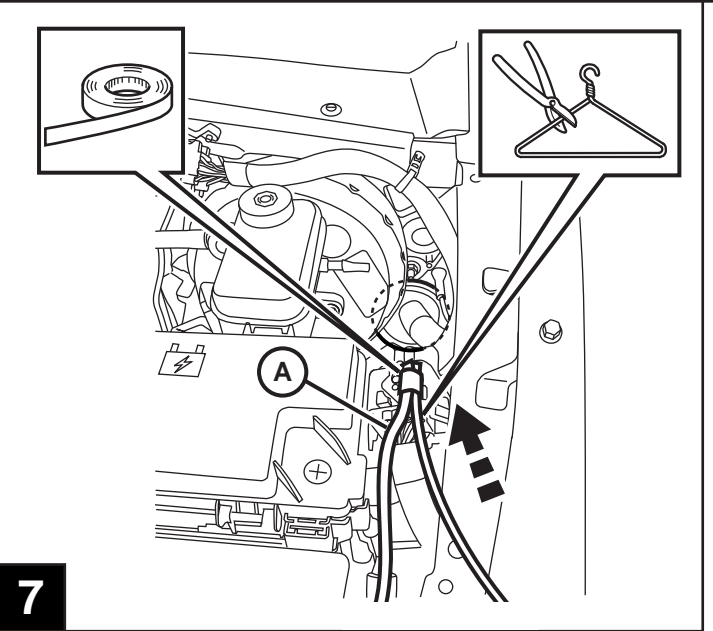
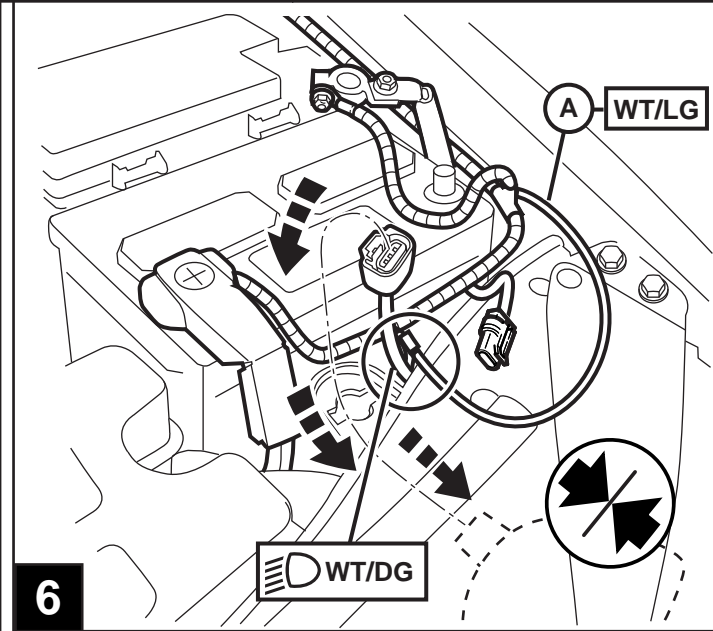
**PRINT THIS DOCUMENT AT 100% ORIGINAL SIZE. UNCHECK PRINTER AUTO SCALING FEATURES TO ENSURE ACCURACY OF TEMPLATE PAGES**

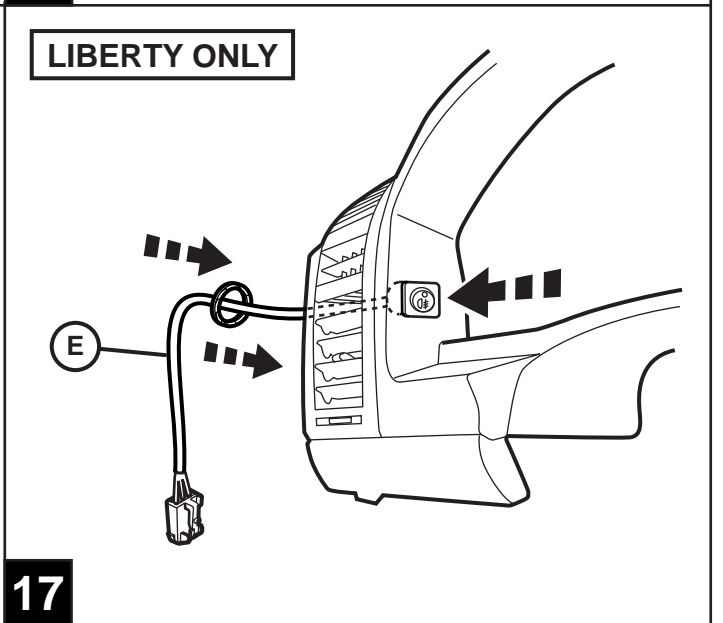
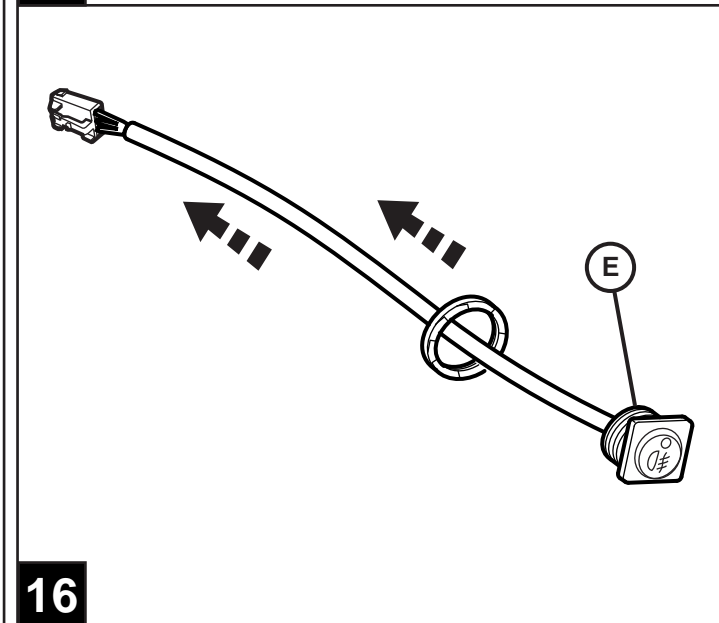
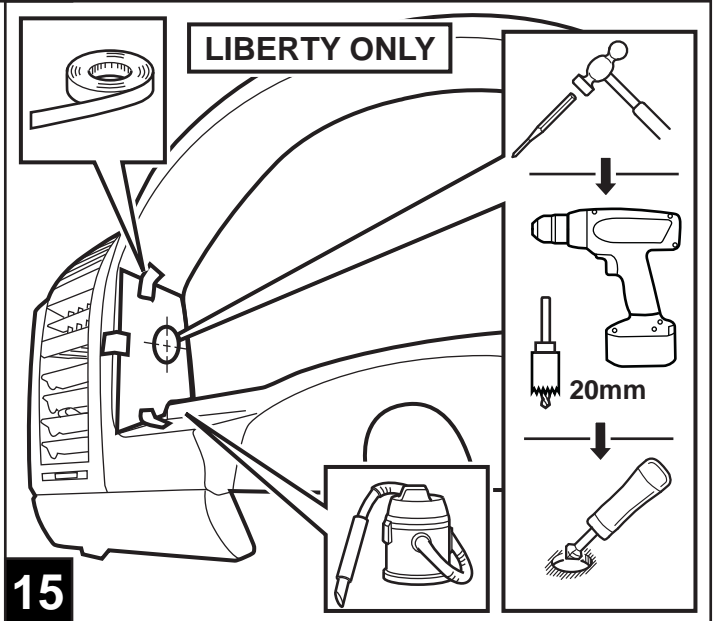
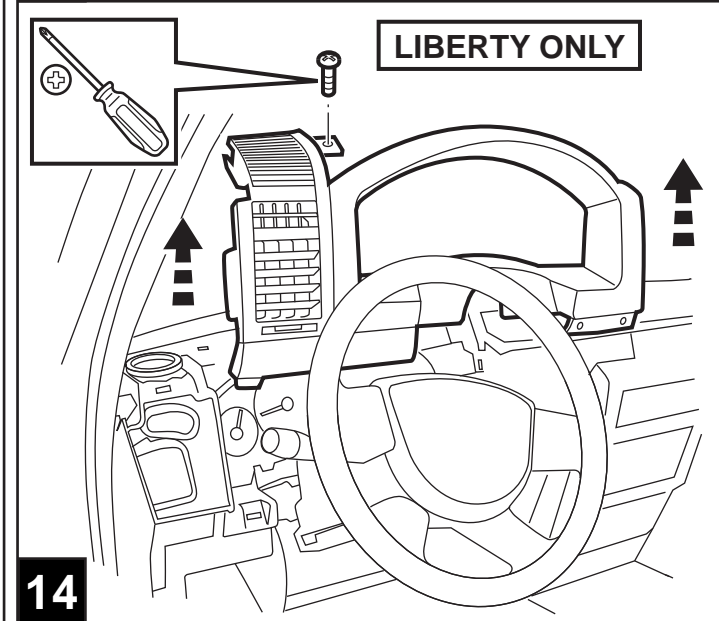
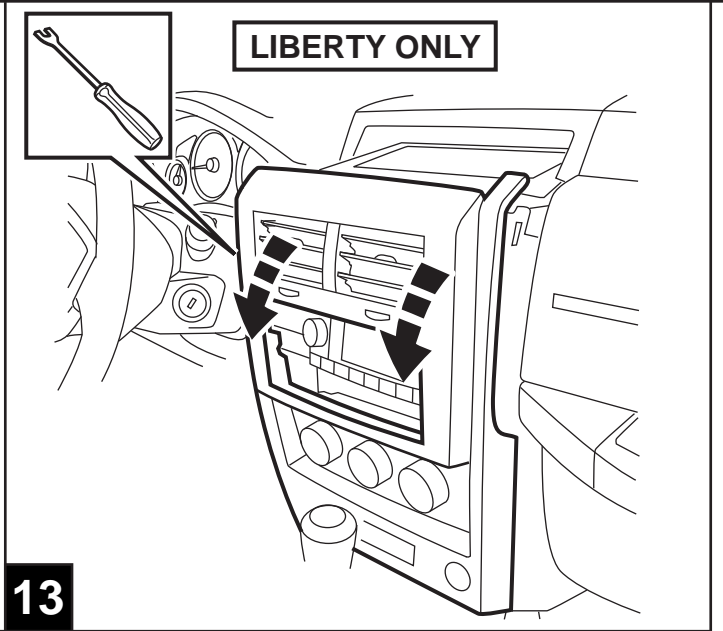
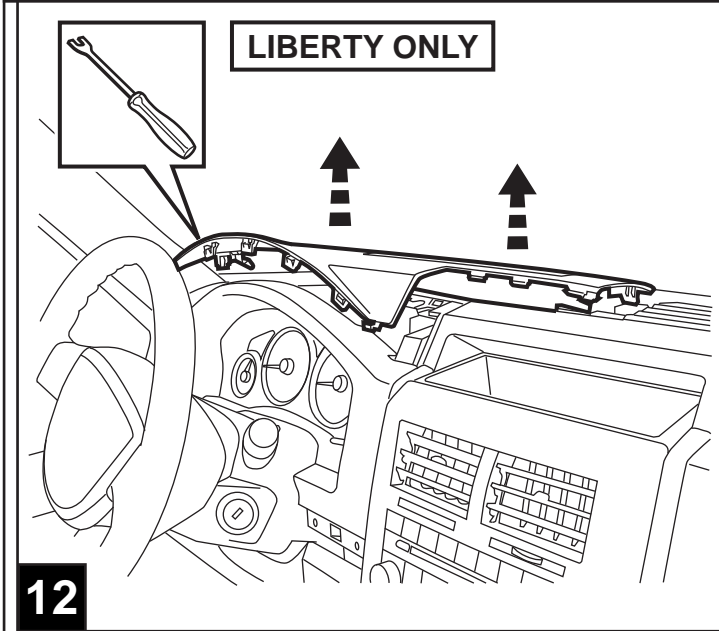


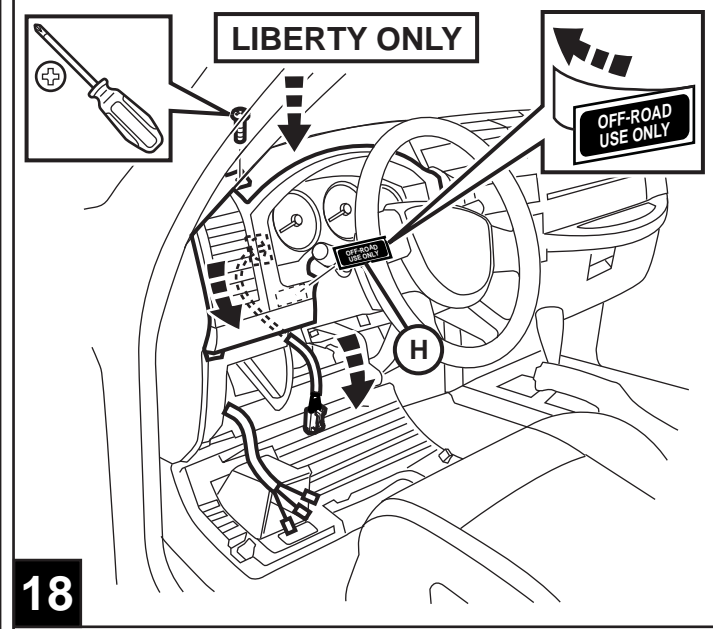
**CAUTION**  
The auxiliary lights mounted on the off road light bar should be illuminated on public streets, highways, roads, etc. may be illegal by your state. When state laws also require auxiliary lights to be covered when operating your vehicle on the public streets, highways, roads, etc. Further illuminating these lights with unshielded covers installed could cause permanent damage to the lamp or screen. Before using these auxiliary lights, contact your State Authorities for proper operation and use of these lights.

**OFF-ROAD USE ONLY**

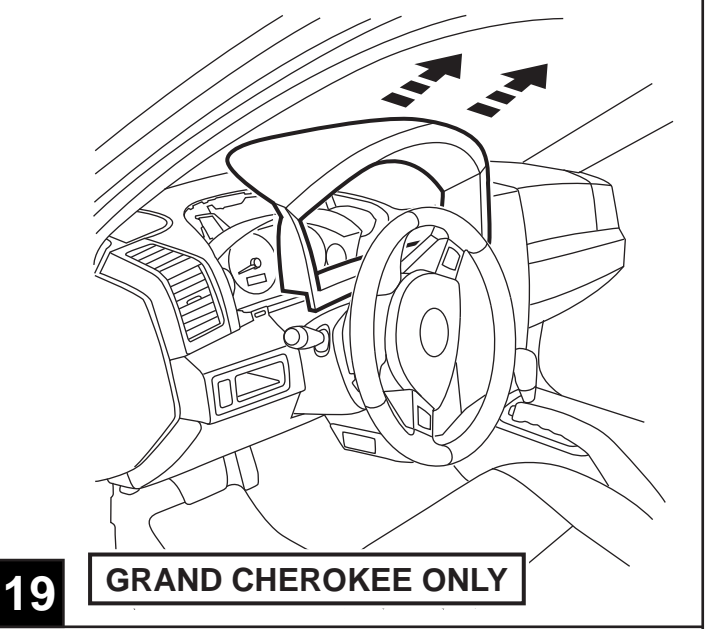







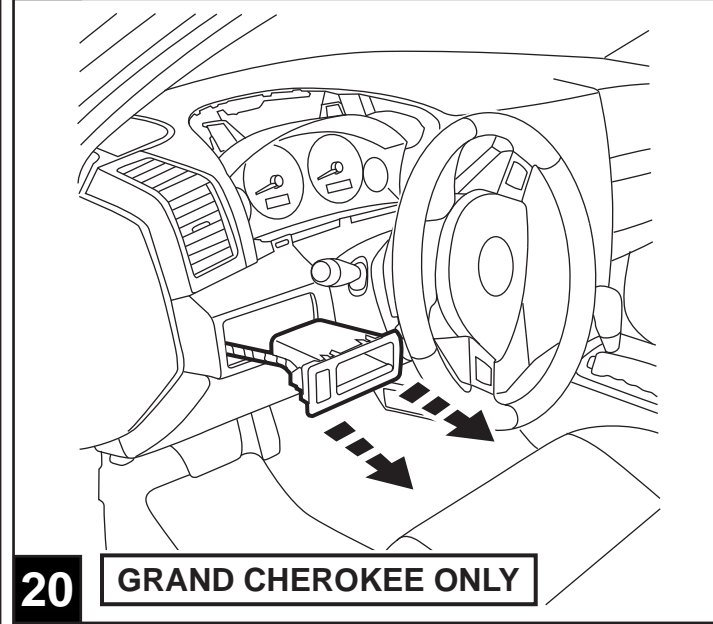


18



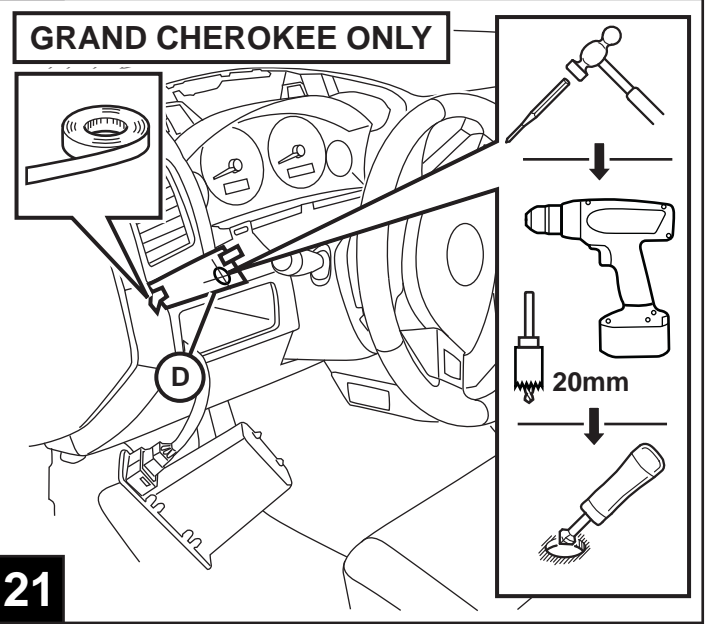
19

GRAND CHEROKEE ONLY

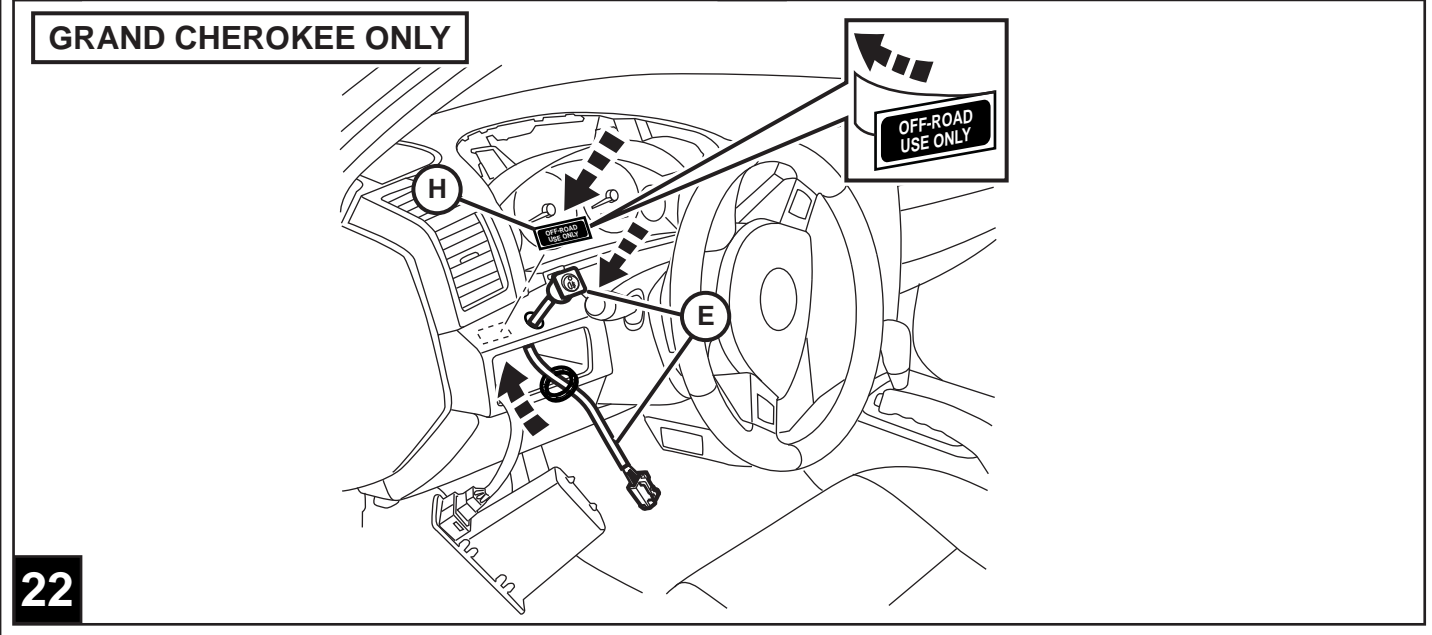


20

GRAND CHEROKEE ONLY



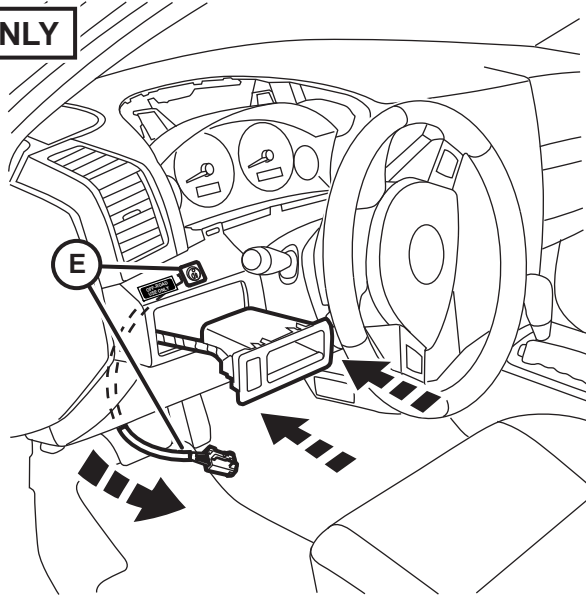
21



22

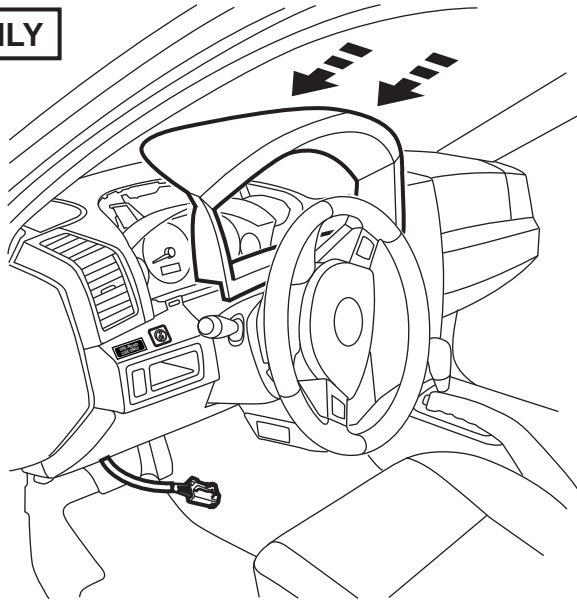
GRAND CHEROKEE ONLY

**GRAND CHEROKEE ONLY**



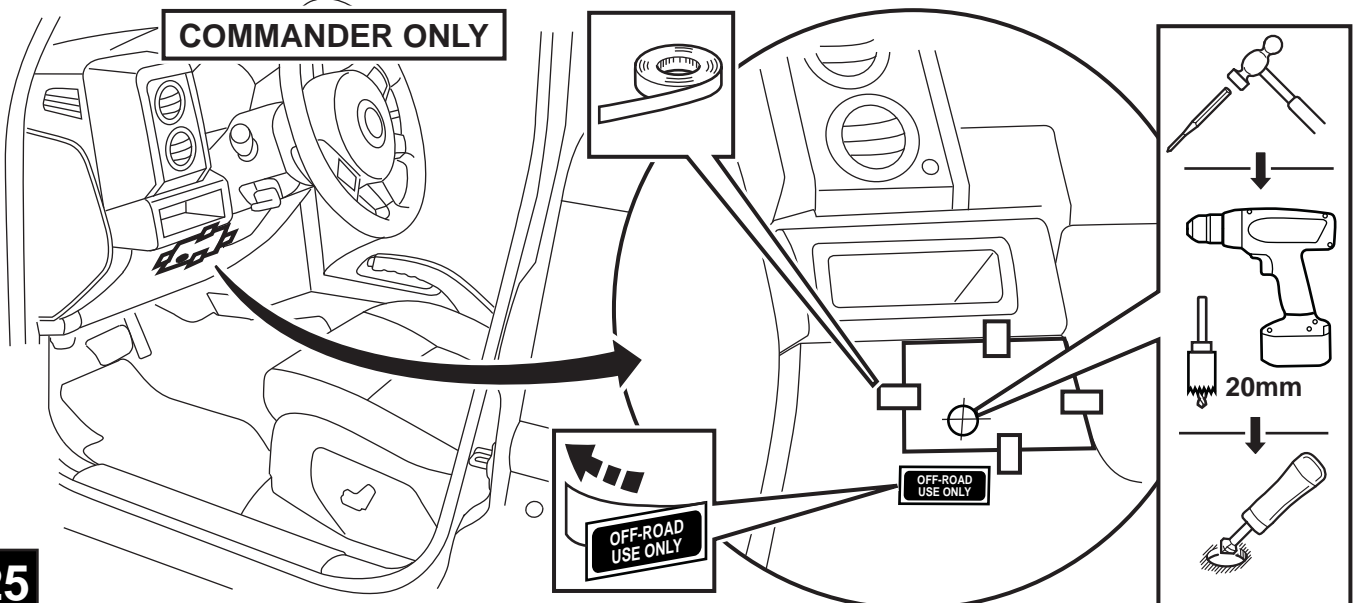
**23**

**GRAND CHEROKEE ONLY**



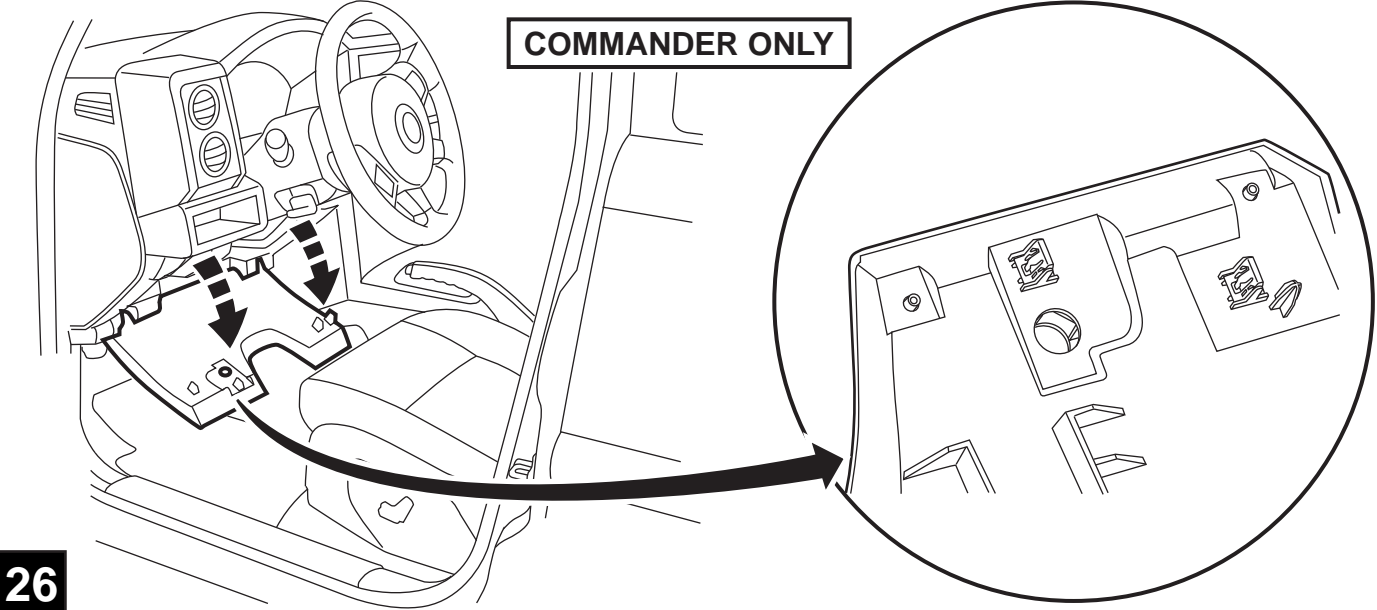
**24**

**COMMANDER ONLY**



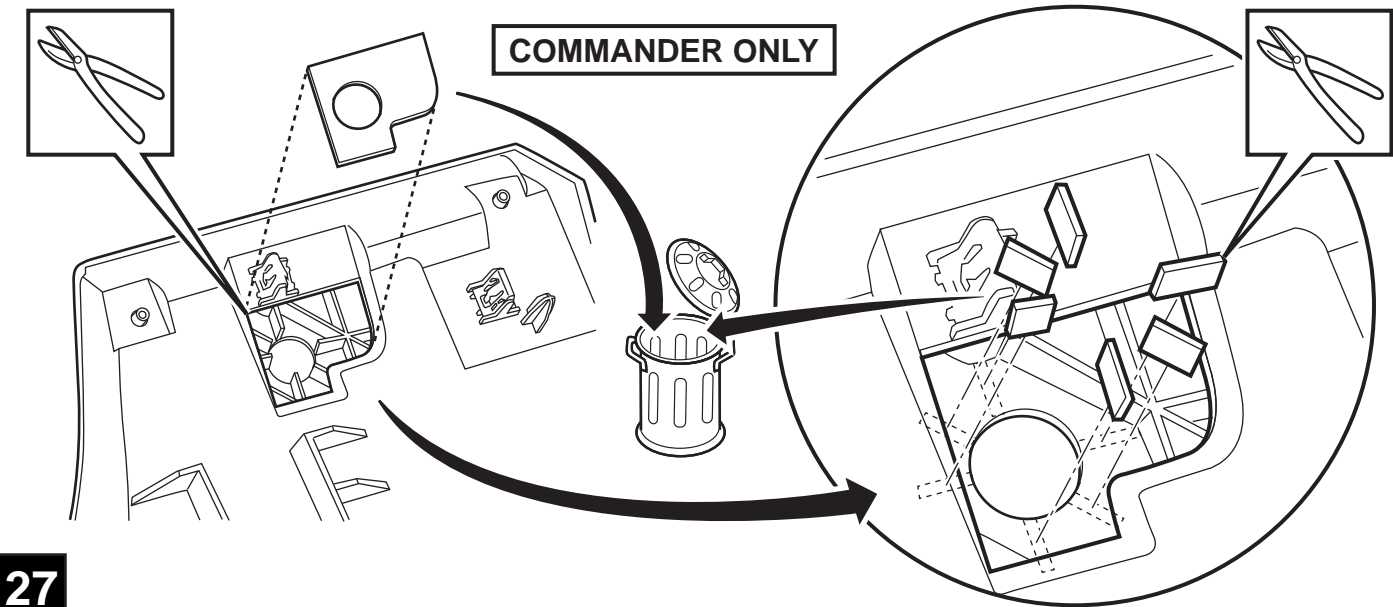
**25**

COMMANDER ONLY



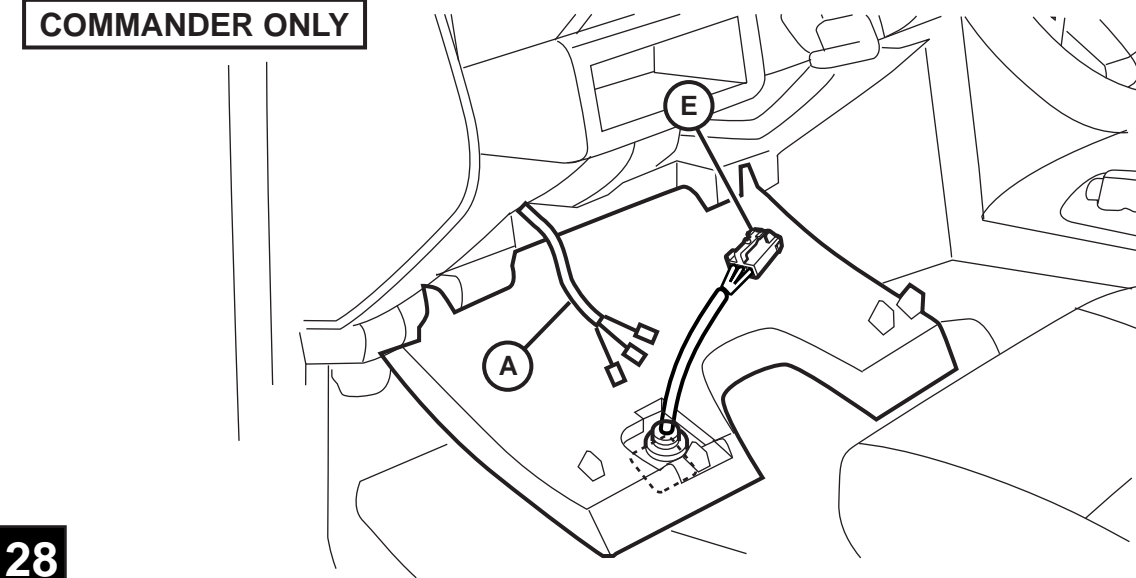
26

COMMANDER ONLY

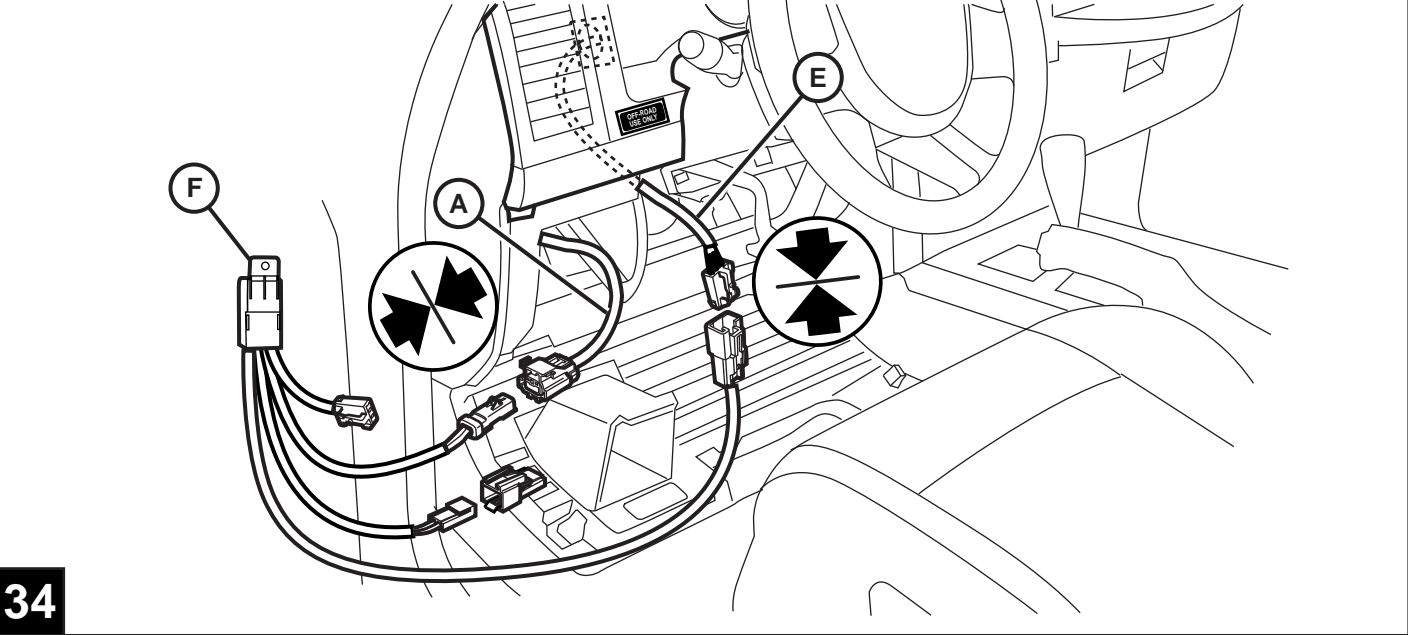
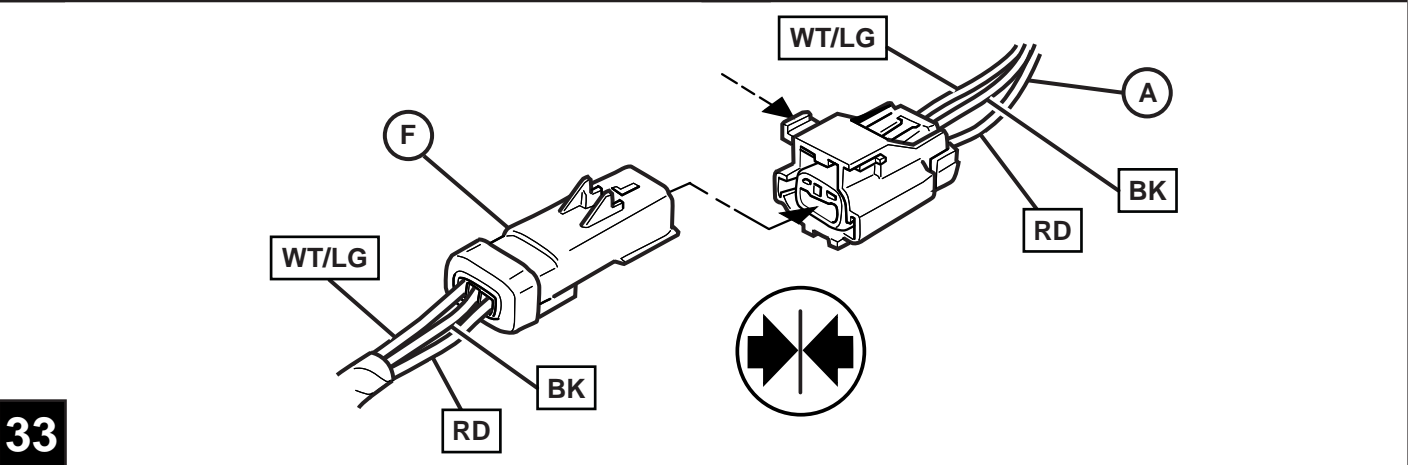
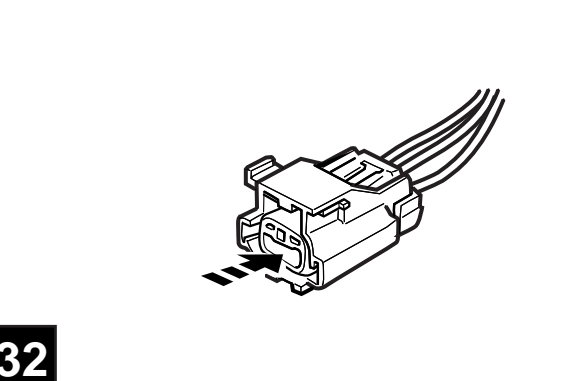
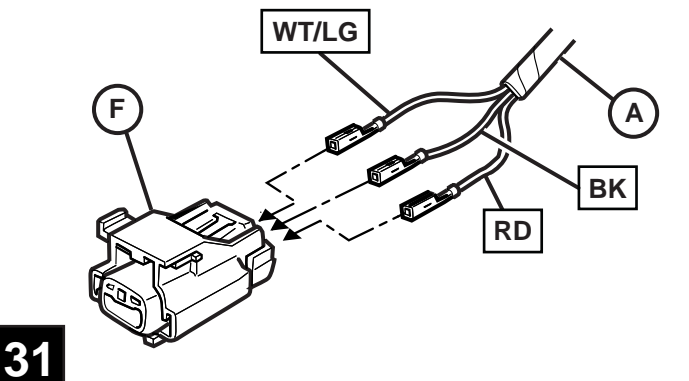
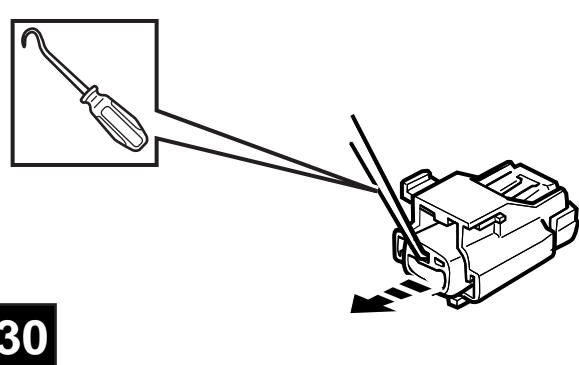
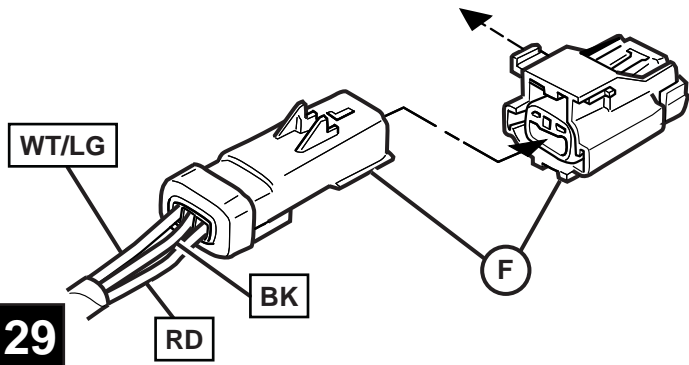


27

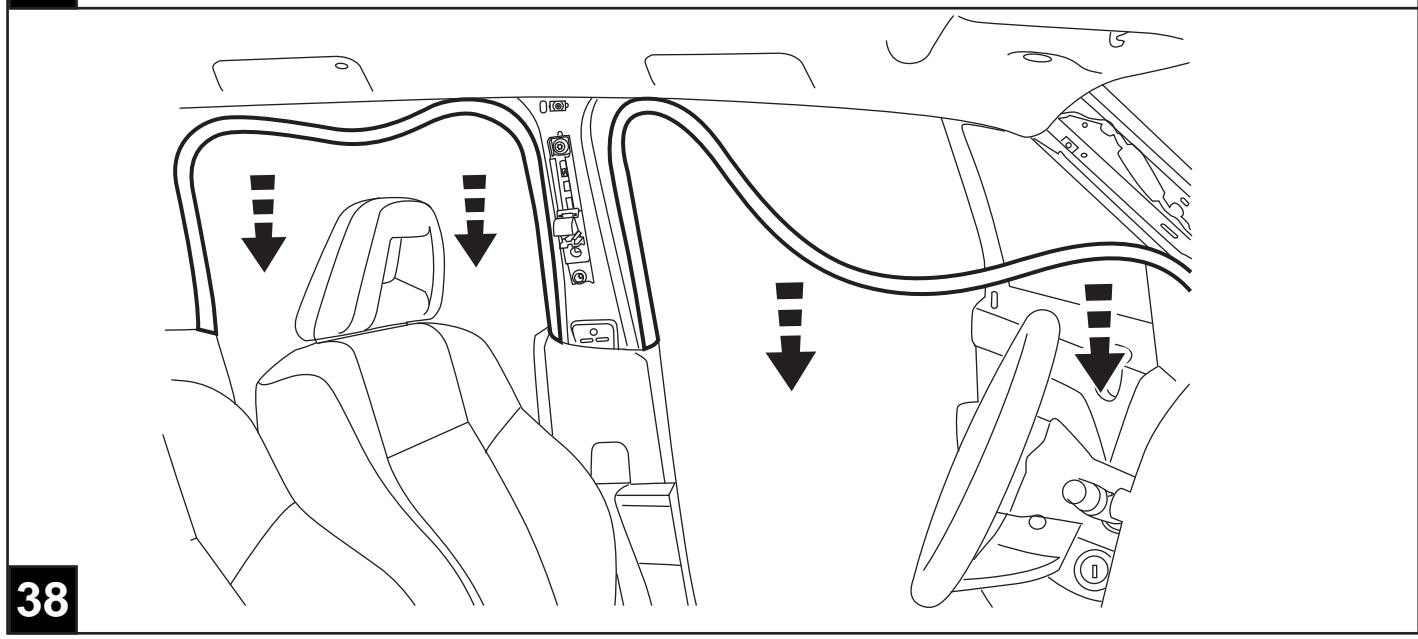
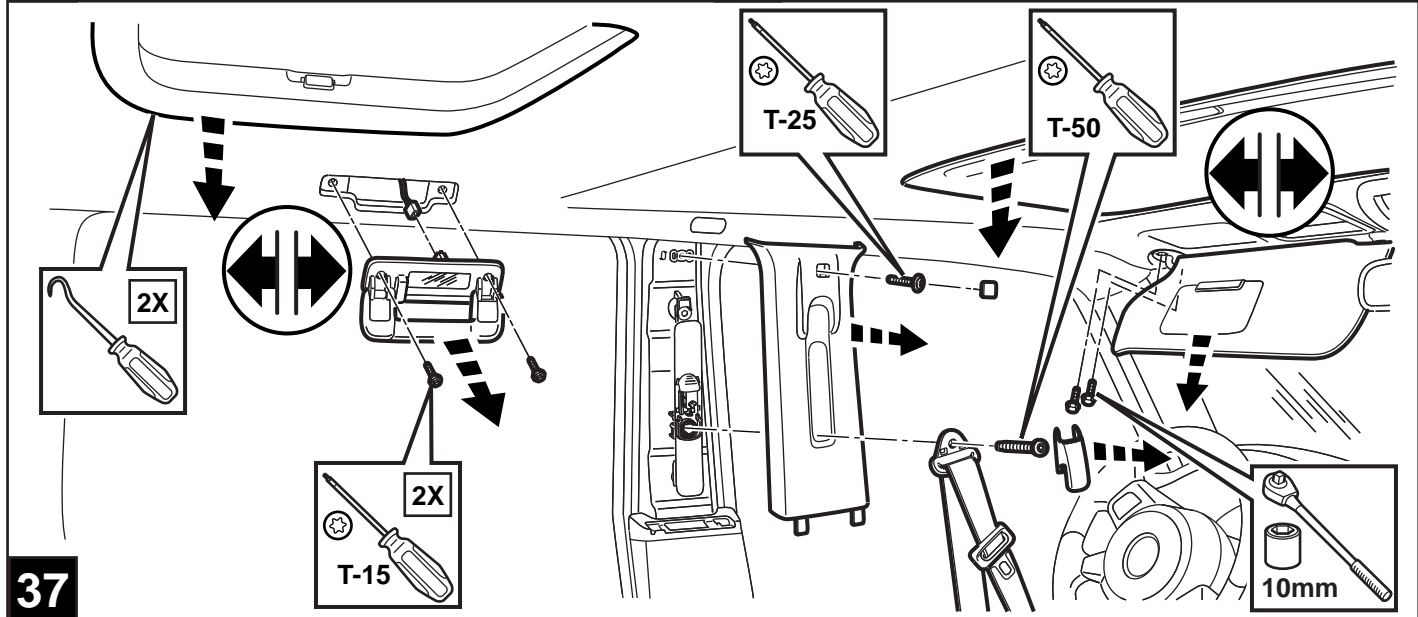
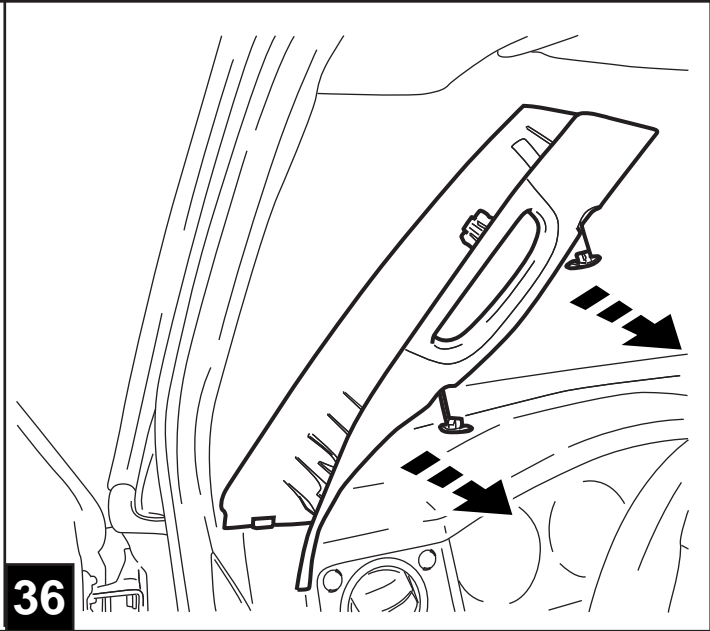
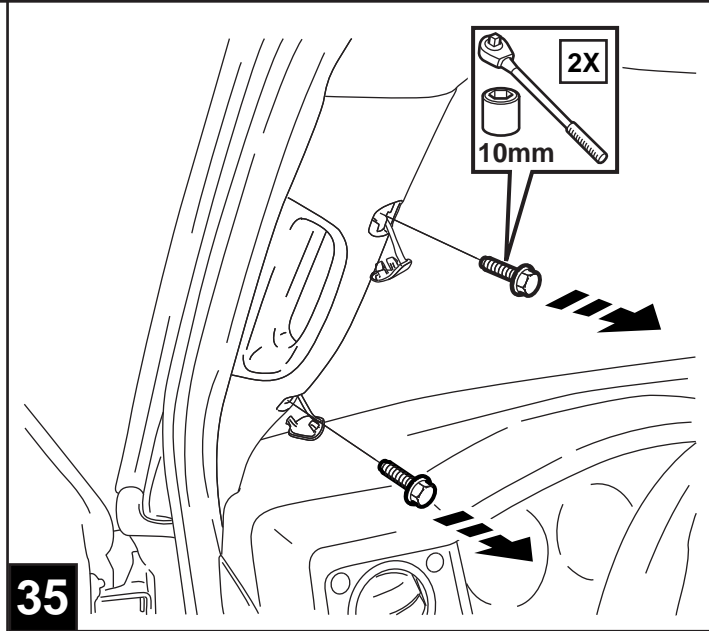
COMMANDER ONLY

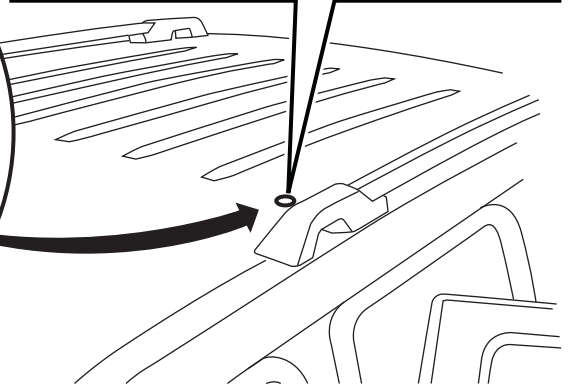
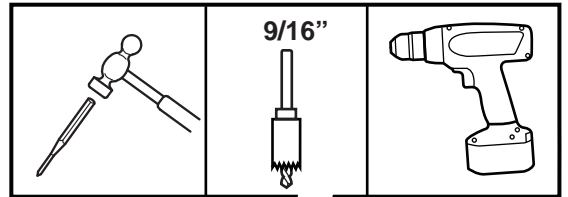
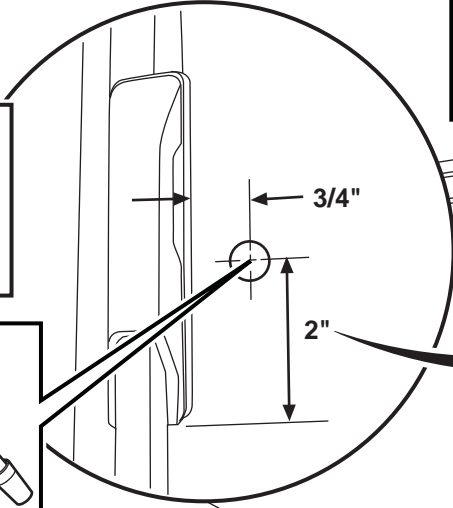
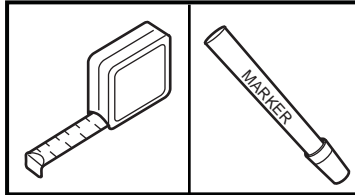
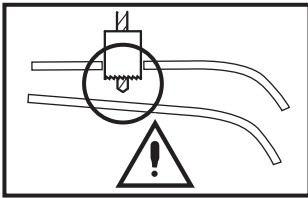
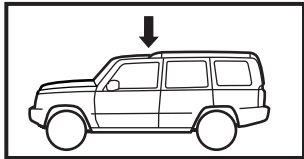


28

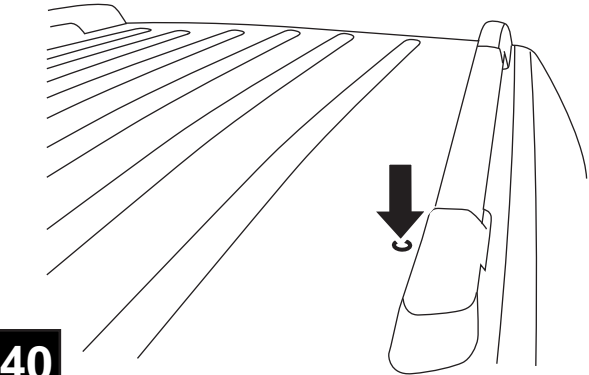
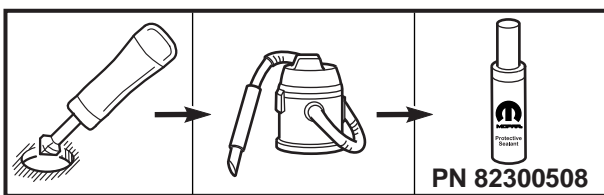




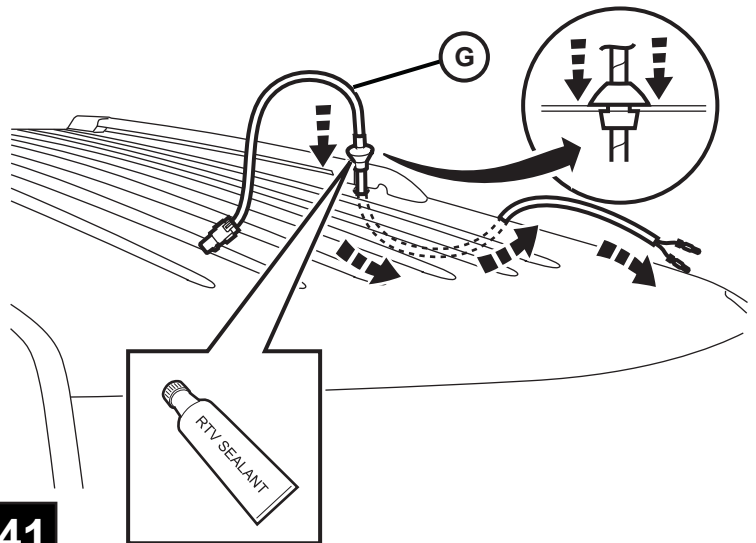




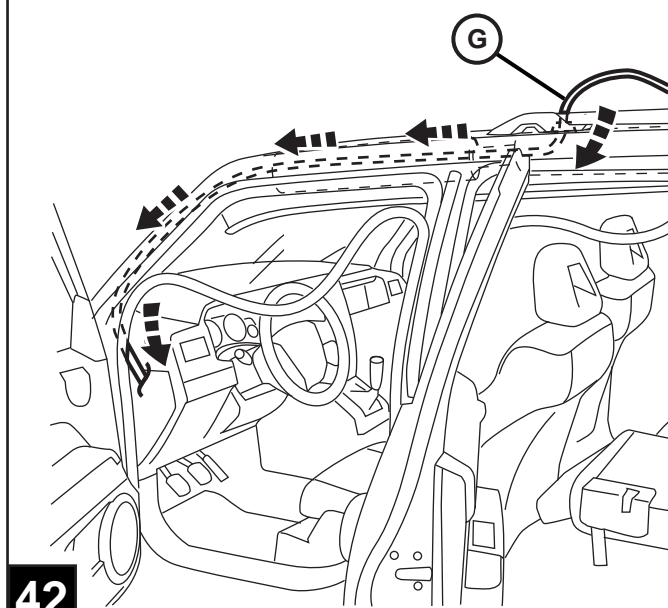
39



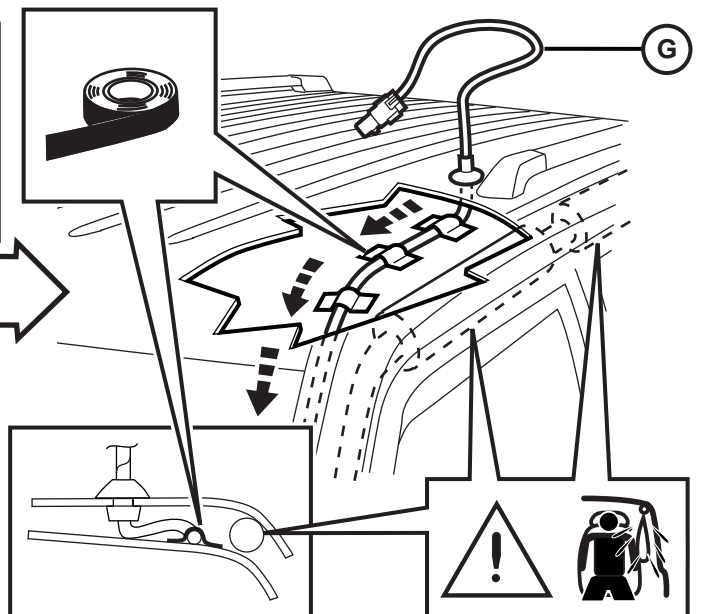
40

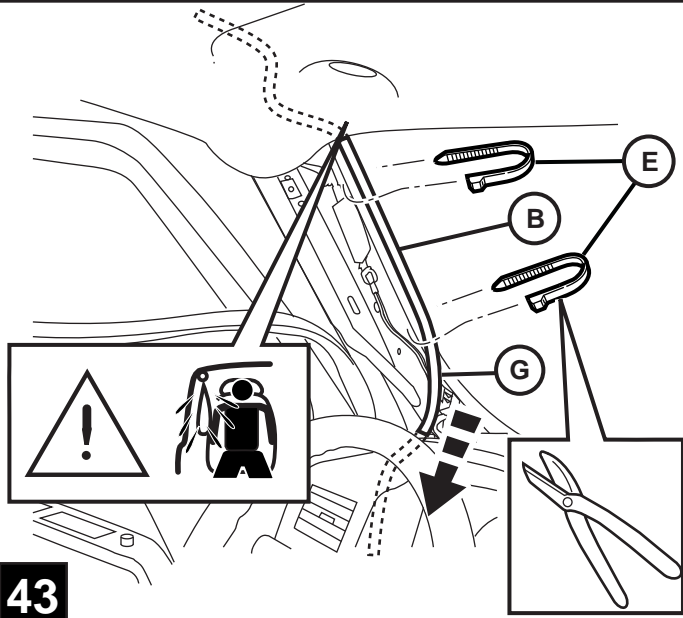


41

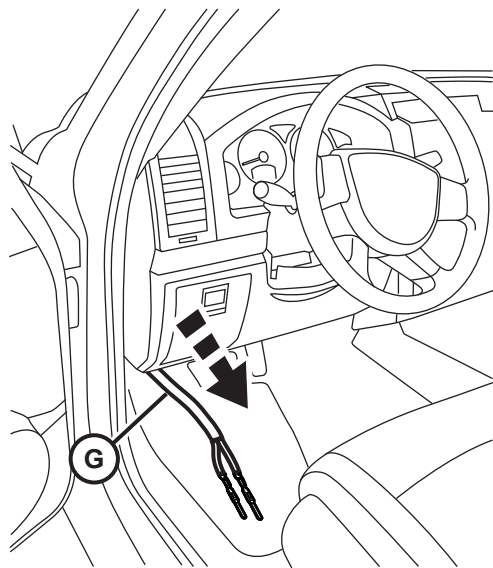


42

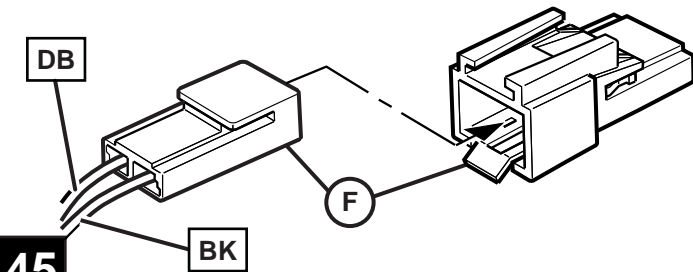




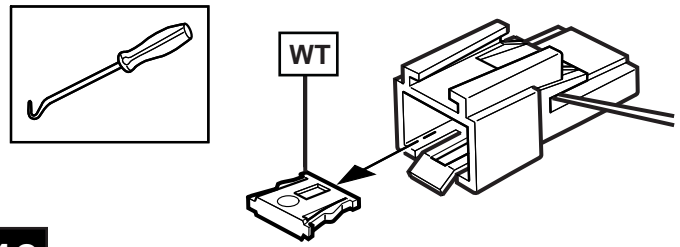
43



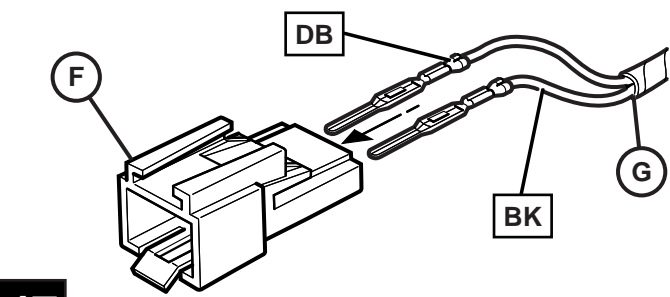
44



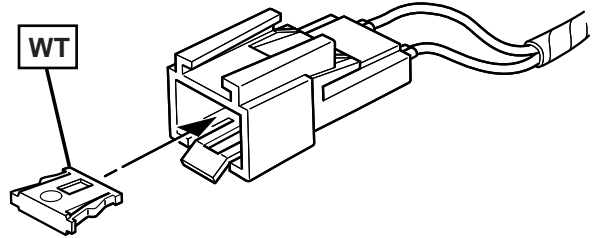
45



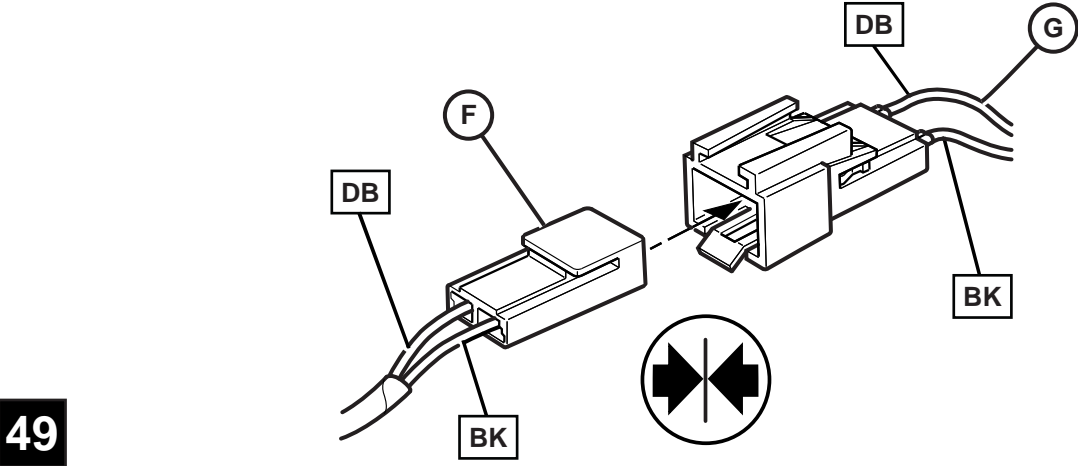
46



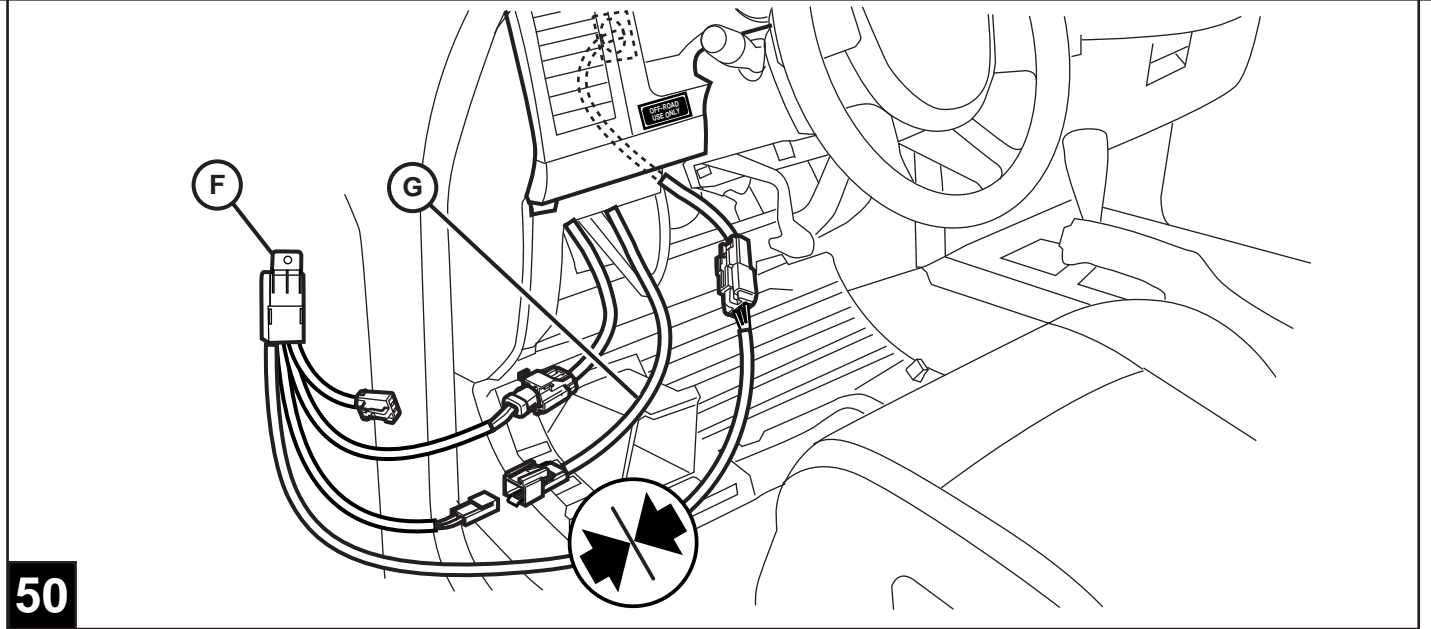
47



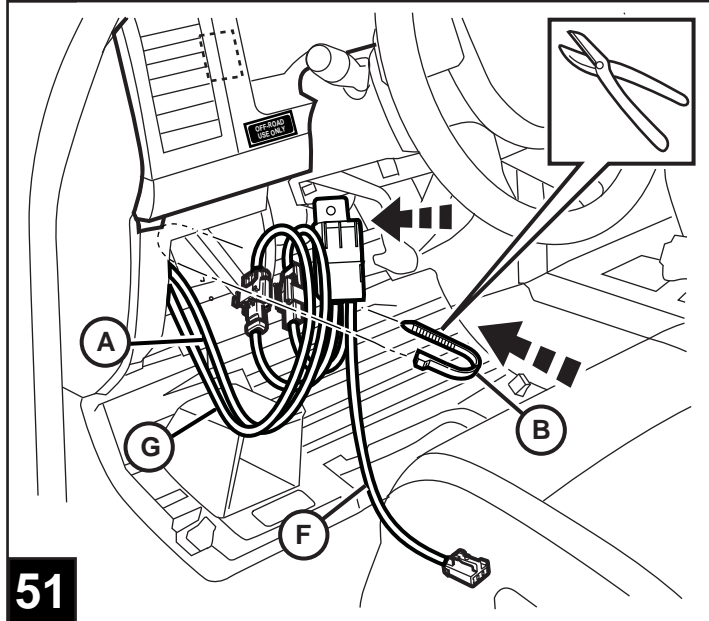
48



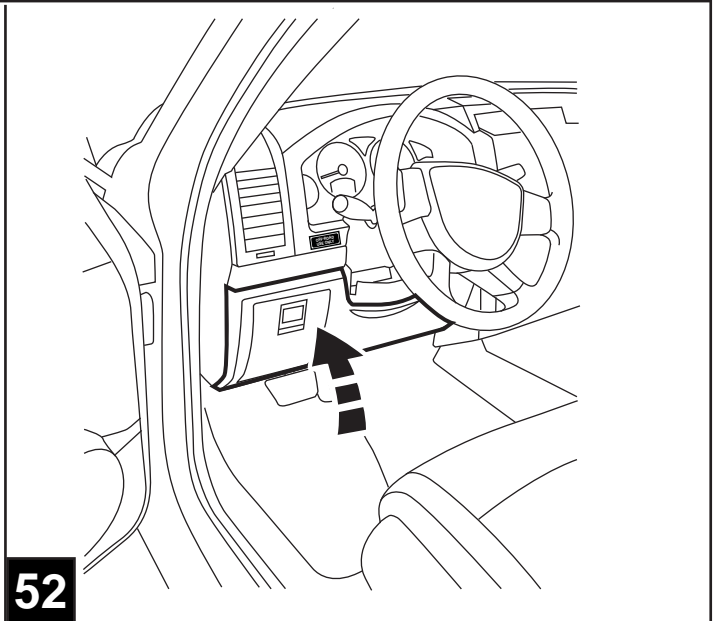
49



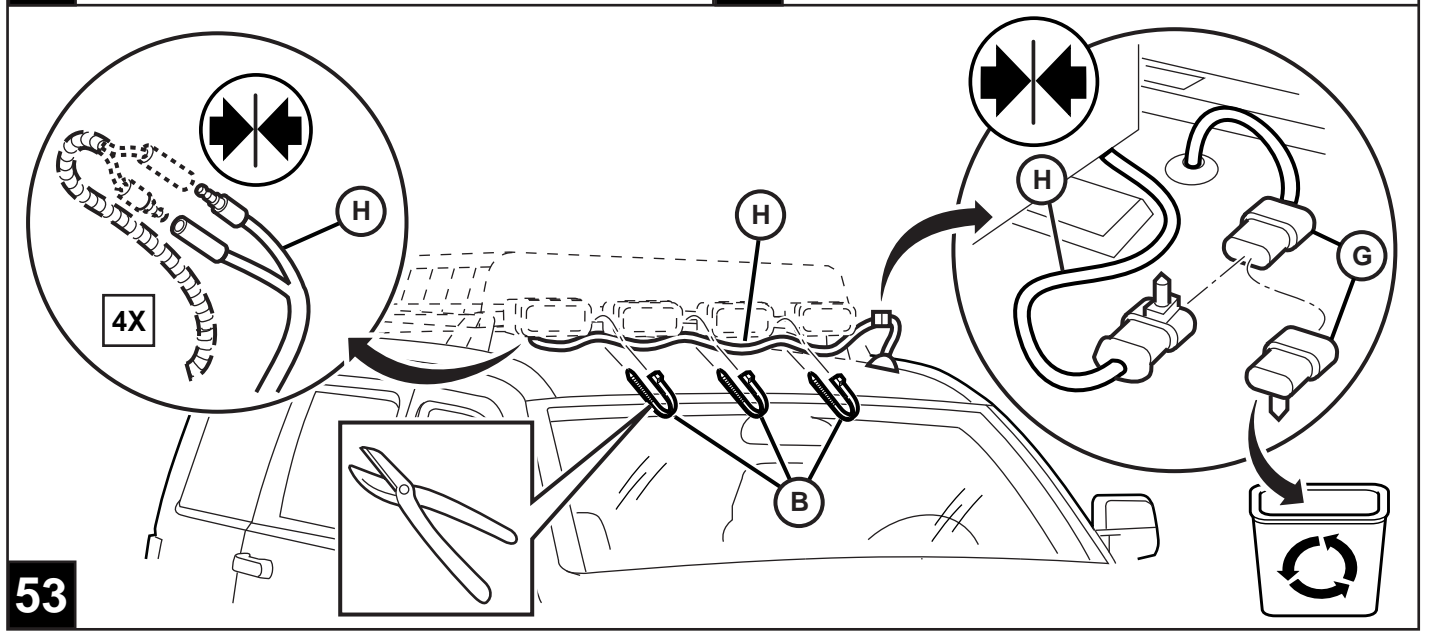
50



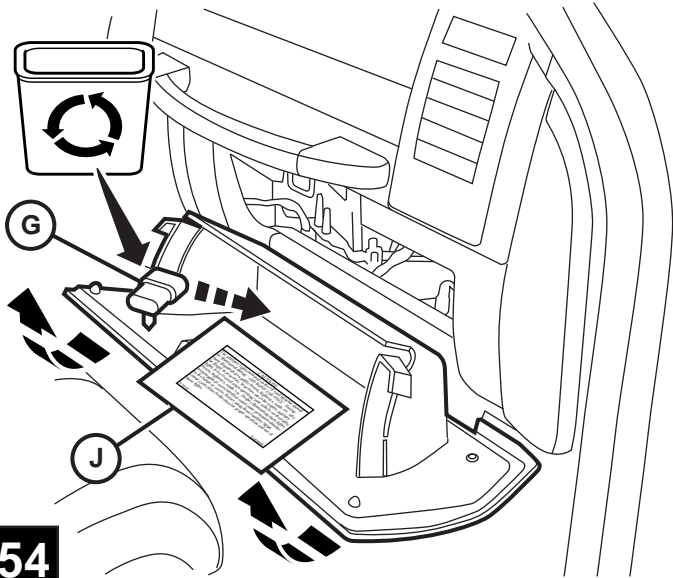
51



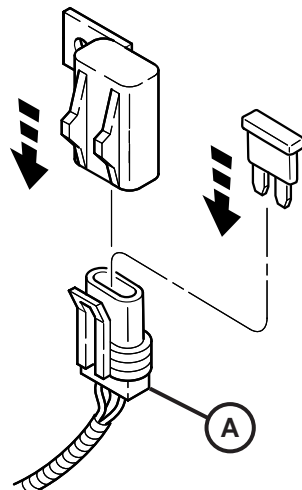
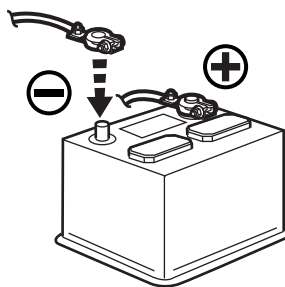
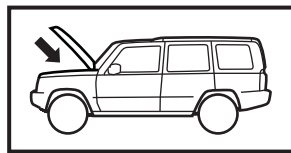
52



53



54

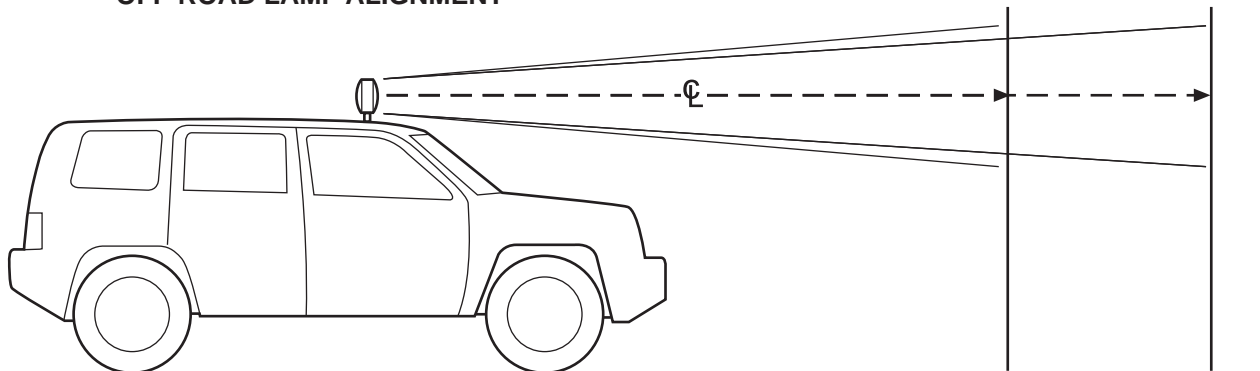


55

OFF-ROAD LAMP ALIGNMENT

7.6m NAFTA

10m BUX

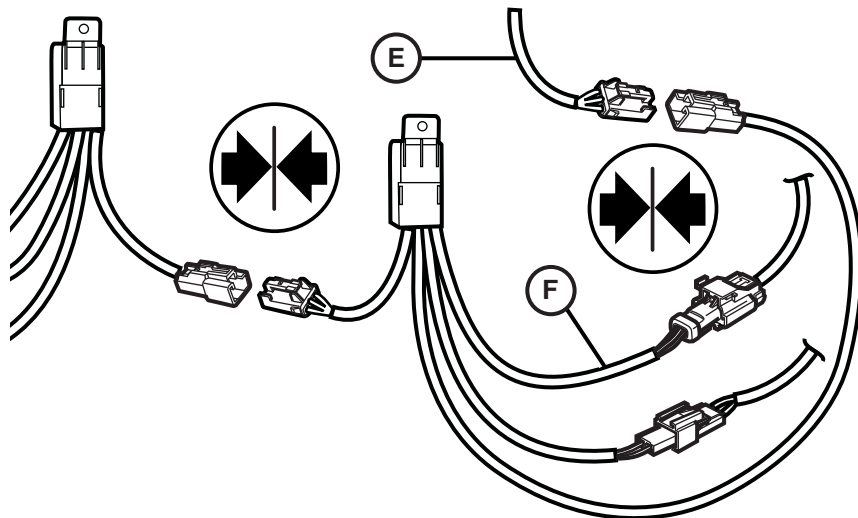


56

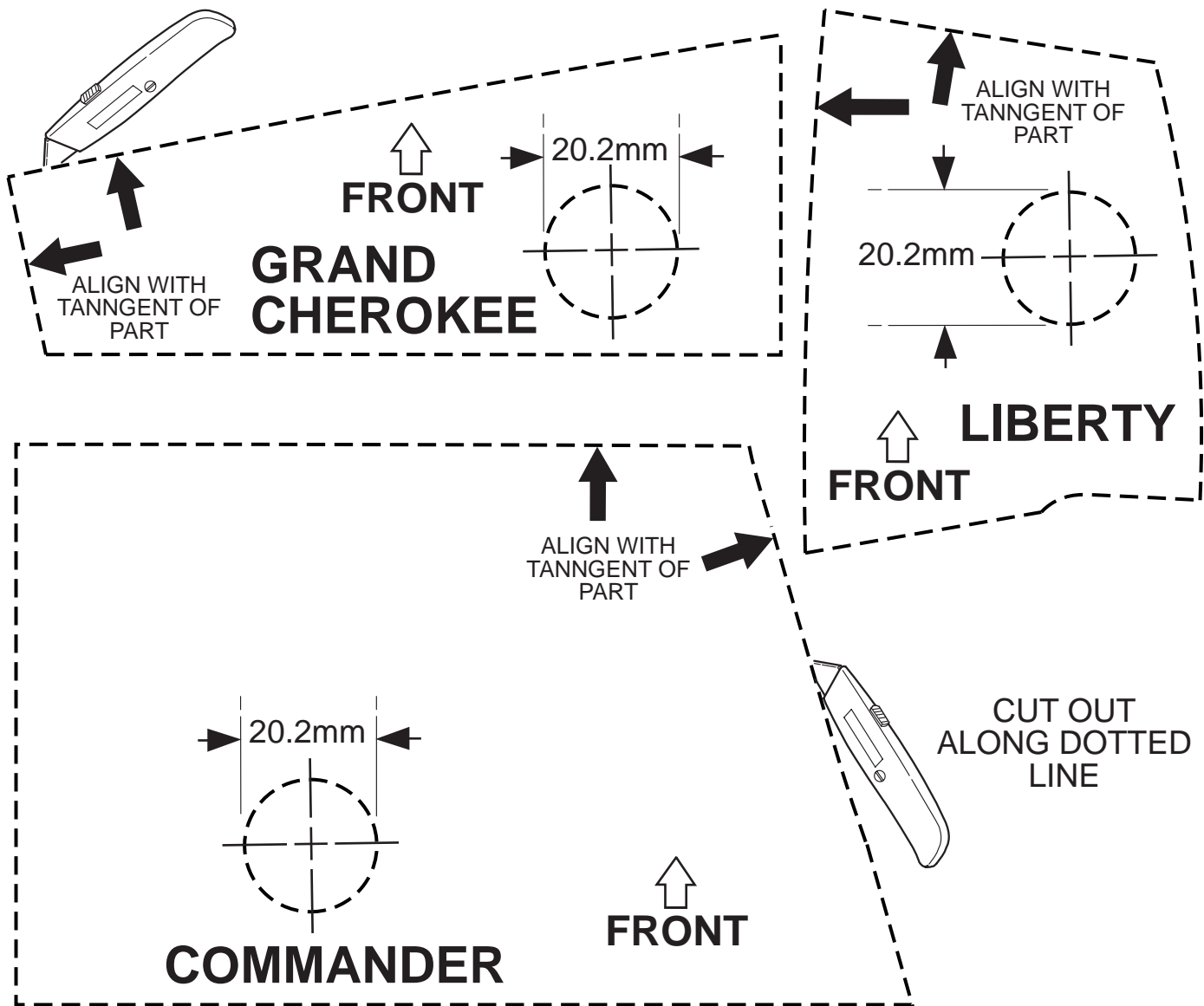
NOTE: When equipping vehicle with second off-road light kit, connect harnesses as shown. Tie strap to existing light kit harness.

NOTA: Cuando equipe el vehículo con un segundo juego de luces todo terreno, conecto los mazos de cables como se indica. Ajuste la correa al mazo de juego de luces existente.

REMARQUE: lors de l'installation d'un second kit d'éclairage tous terrains sur le véhicule, connecter le faisceau comme illustré. L'assujettir sur le faisceau de kit d'éclairage existant.

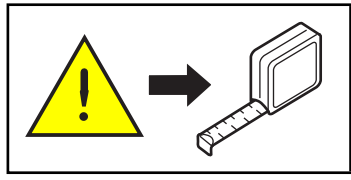


57



**OFF-ROAD LAMP SWITCH HOLE TEMPLATE**

inches	1	2	3	4						
millimeters	10	20	30	40	50	60	70	80	90	100
CHECK SCALE BEFORE USING THIS TEMPLATE										



**DOUBLE CHECK TEMPLATE MEASUREMENTS AFTER PRINTING TO ENSURE ACCURATE SCALING.**