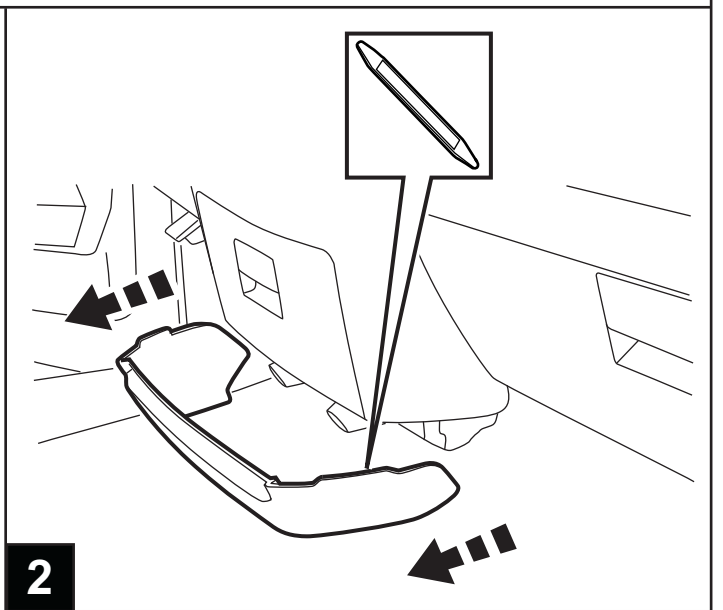
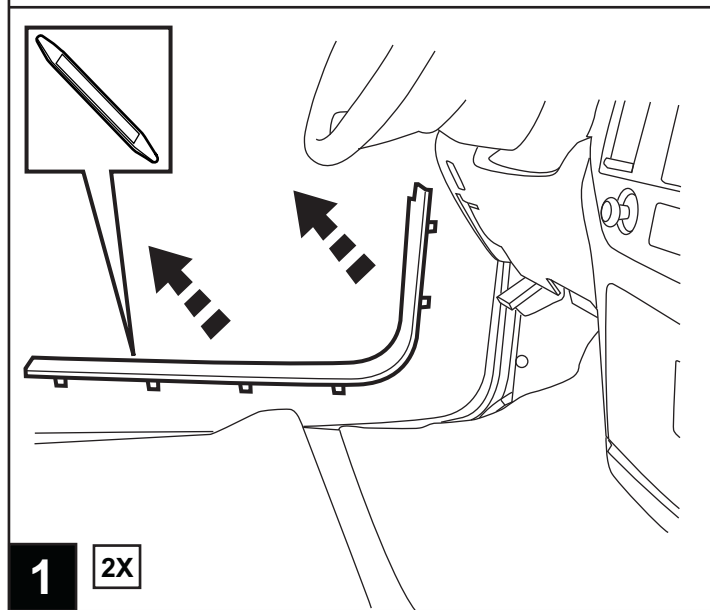
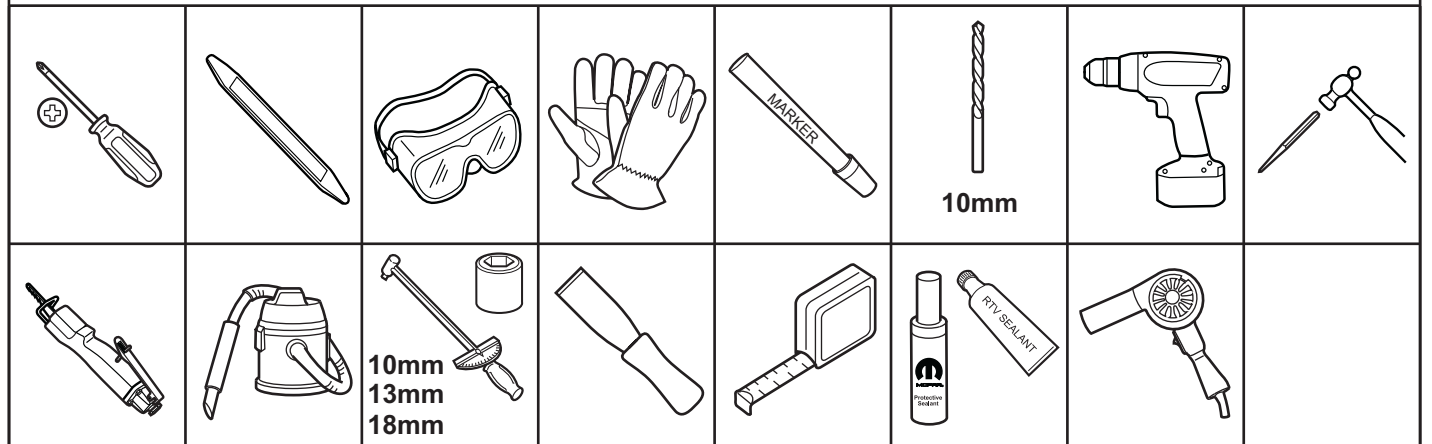
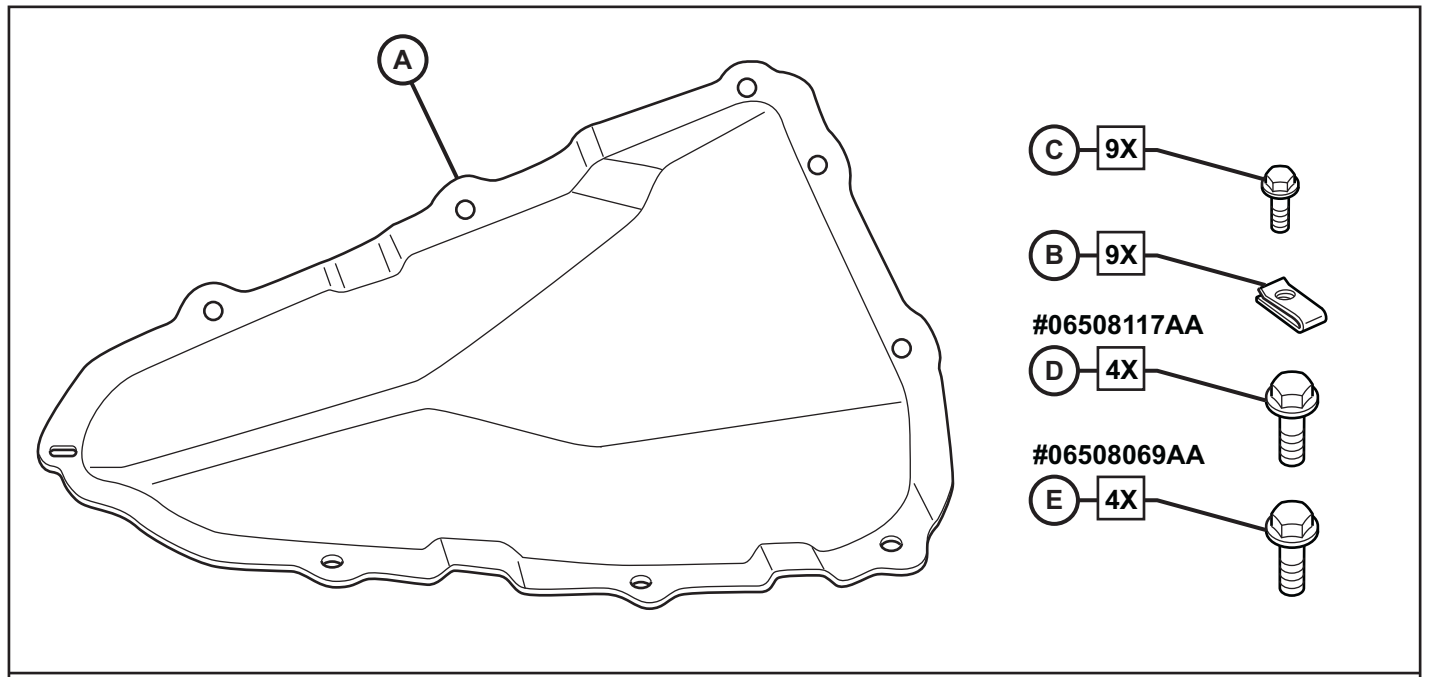
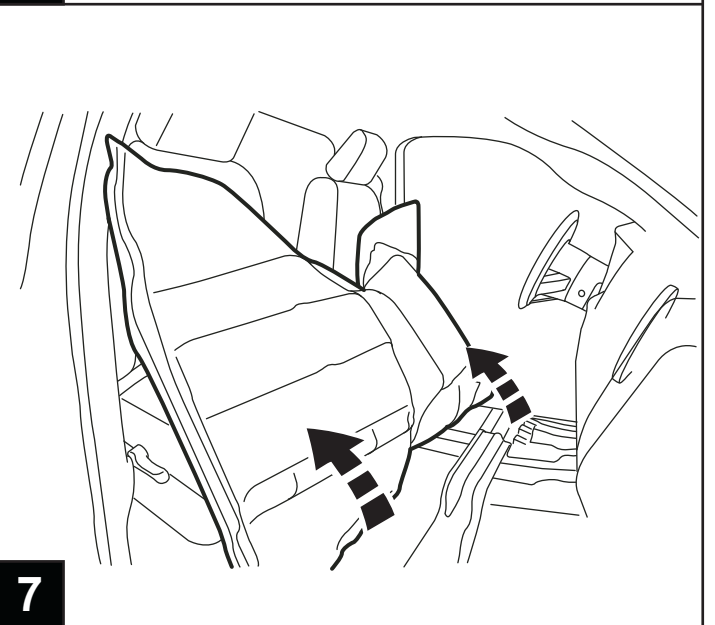
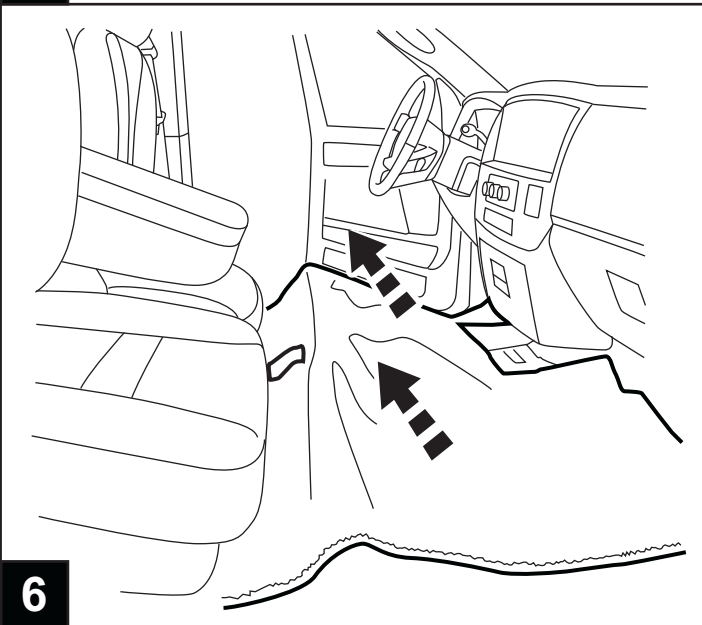
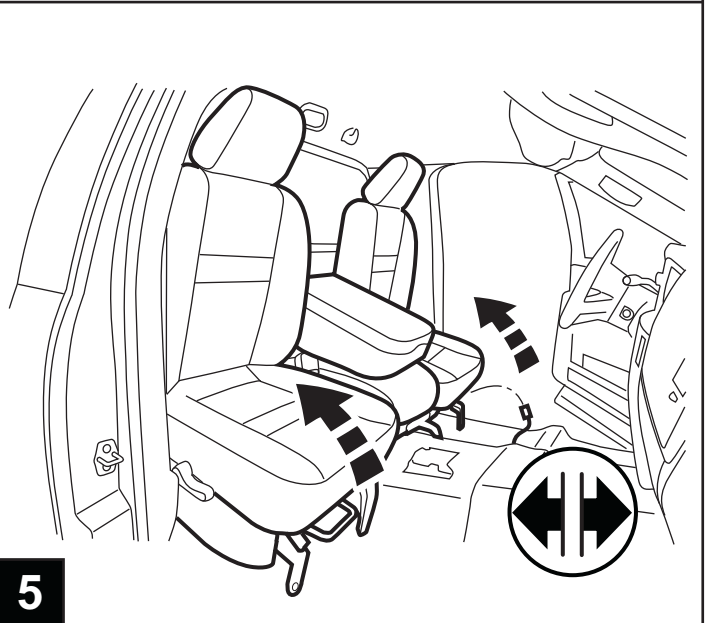
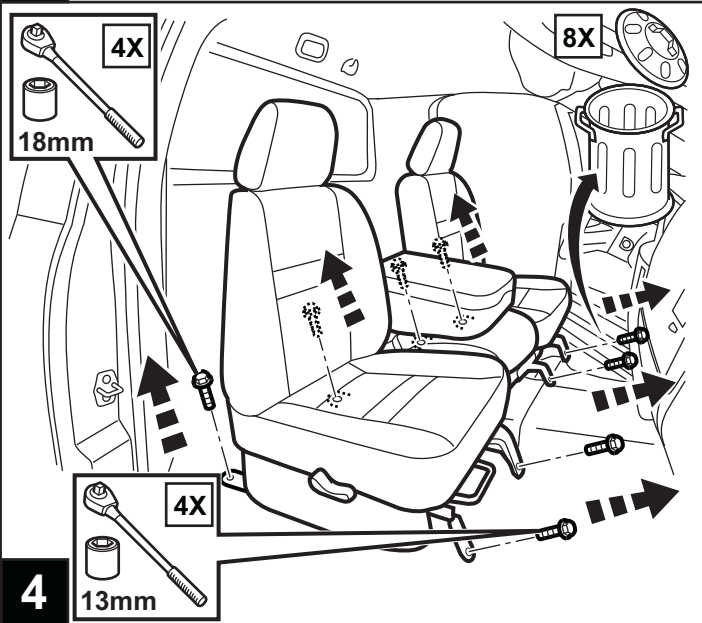
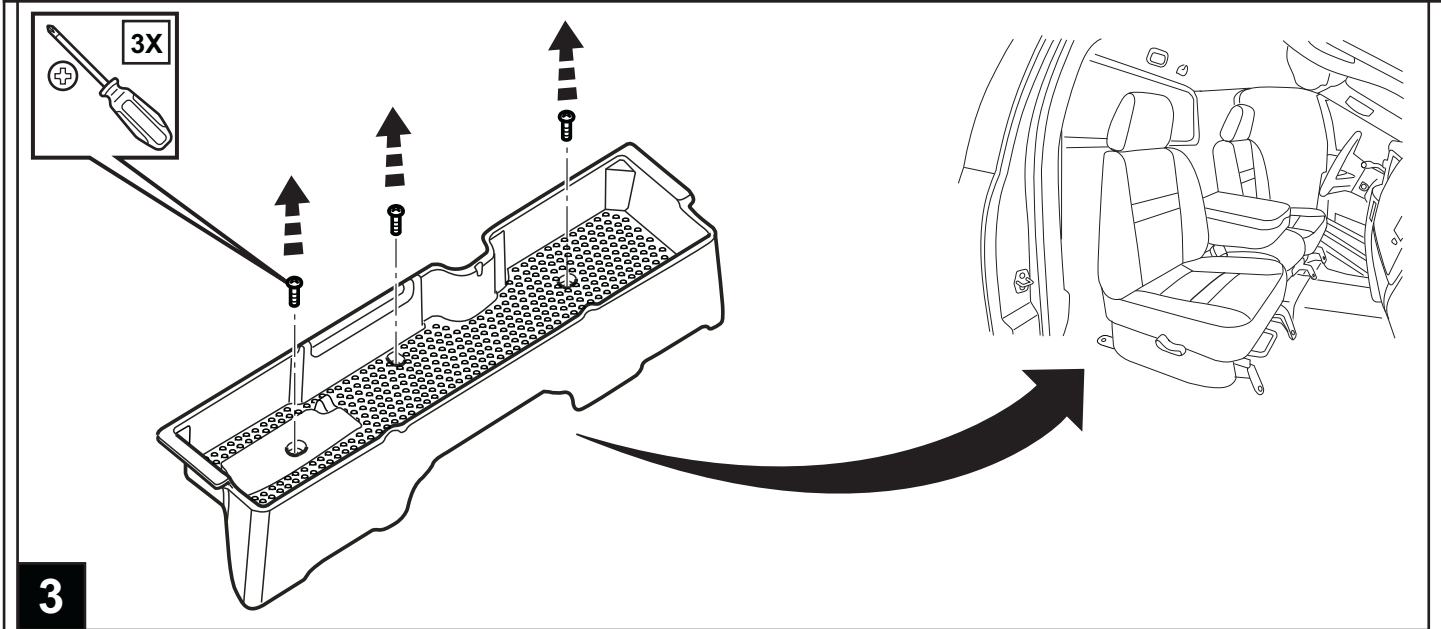


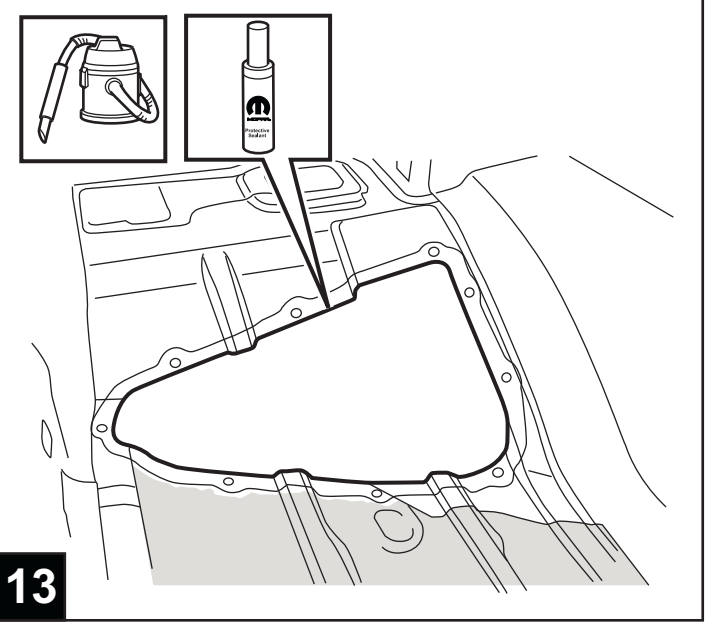
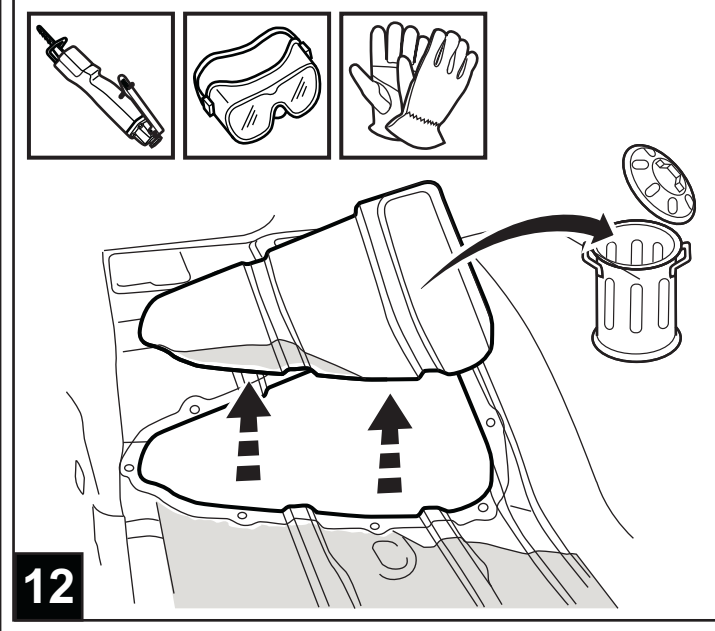
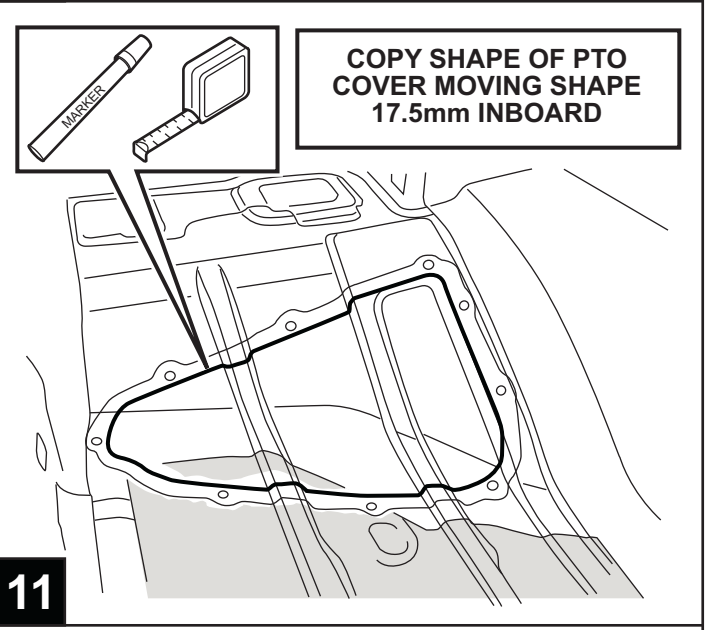
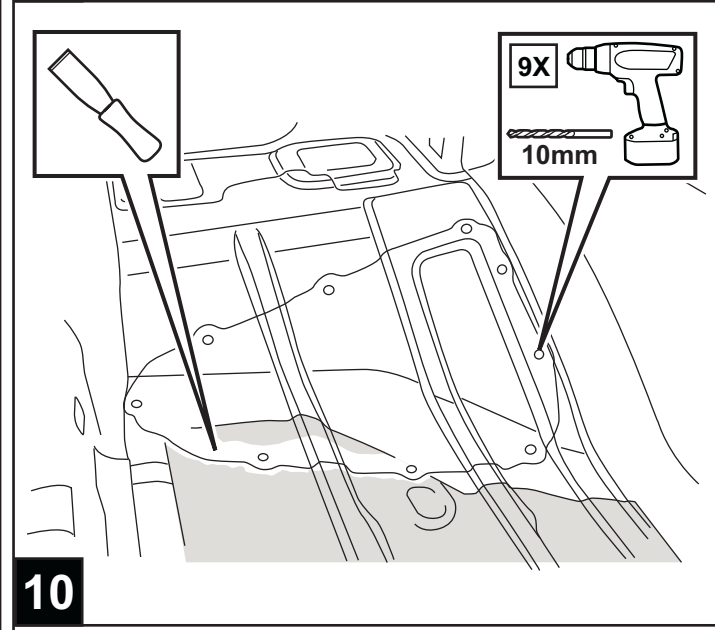
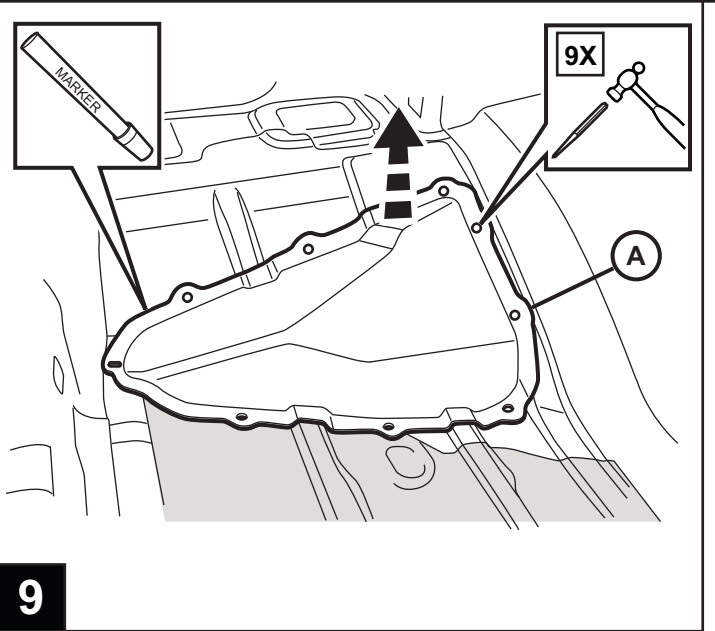
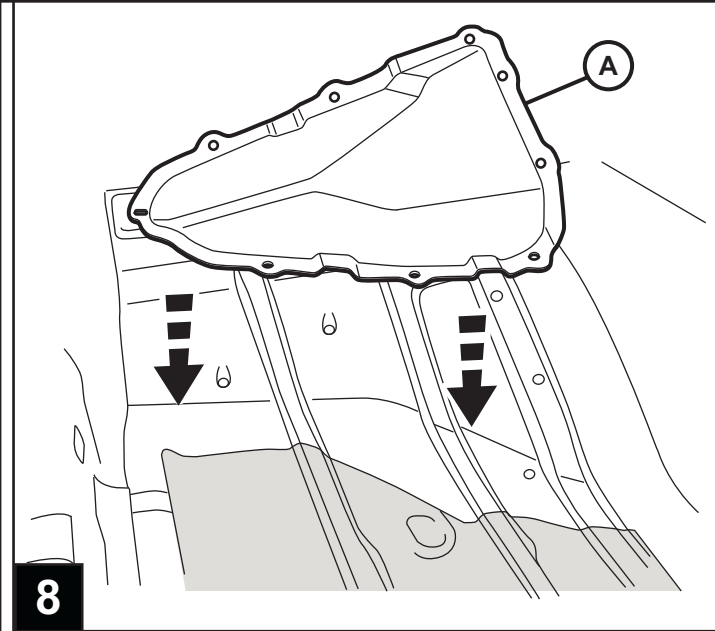


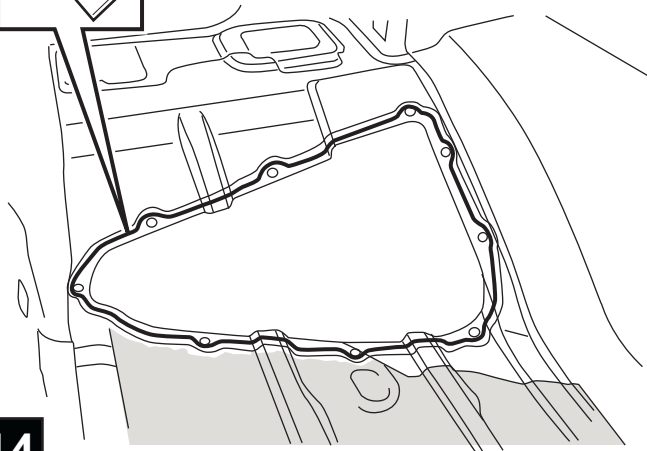
DODGE RAM

PTO Cover

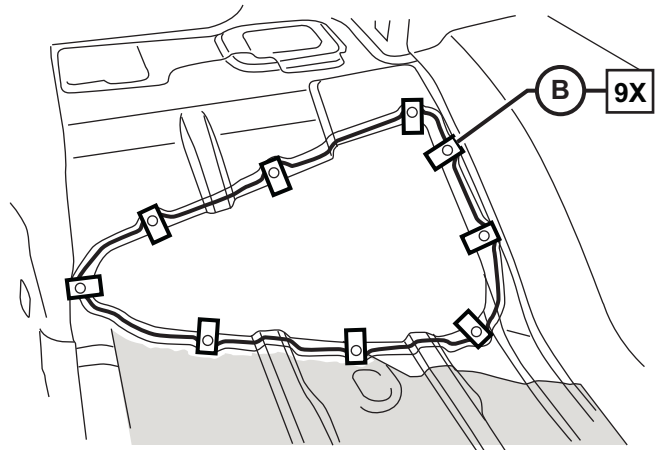








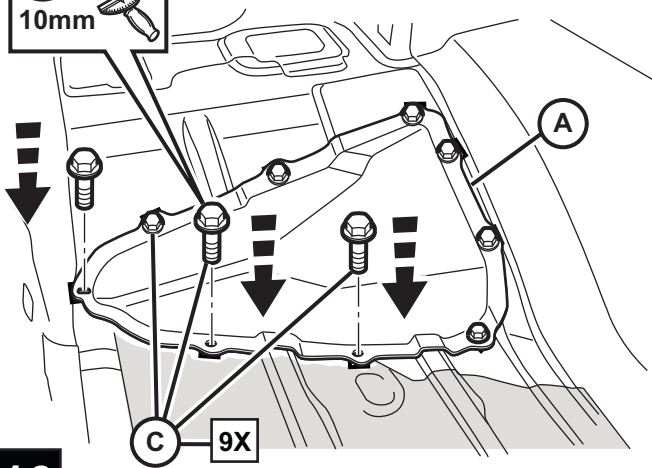
14



15



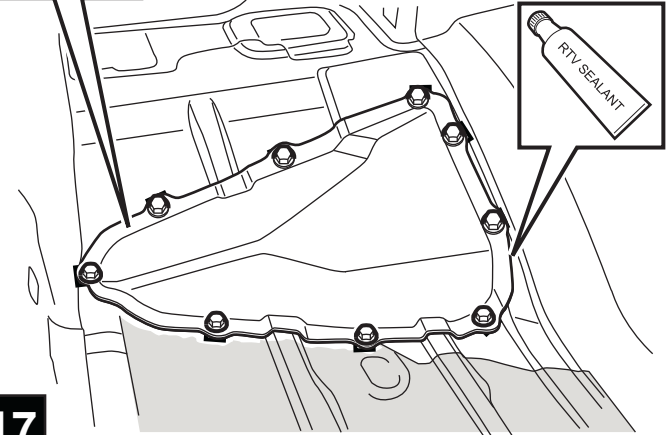
TORQUE
80 in/lbs +/- 10in/lbs



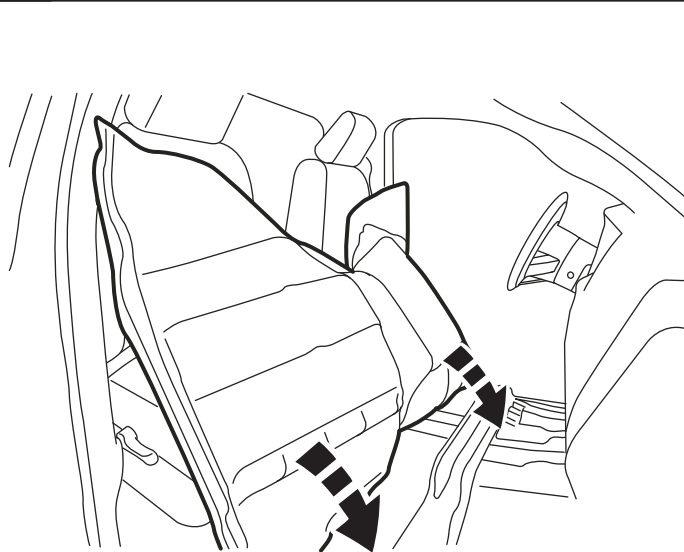
16



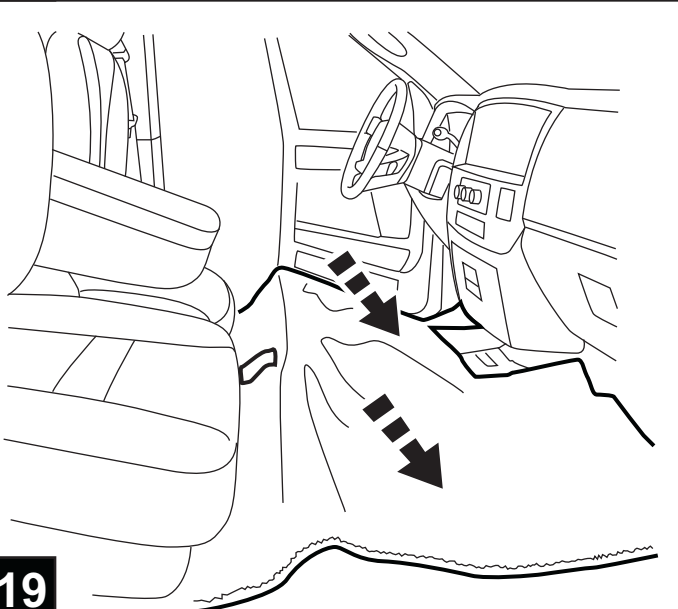
HEAT PTO COVER AROUND FLANGE TO EXPAND SEALER BEAD. APPLY RTV AROUND OUTER EDGE OF FLANGE.



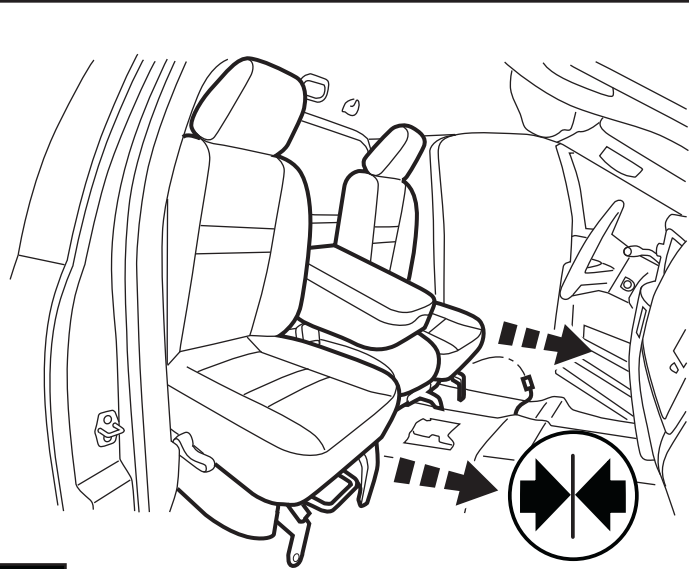
17



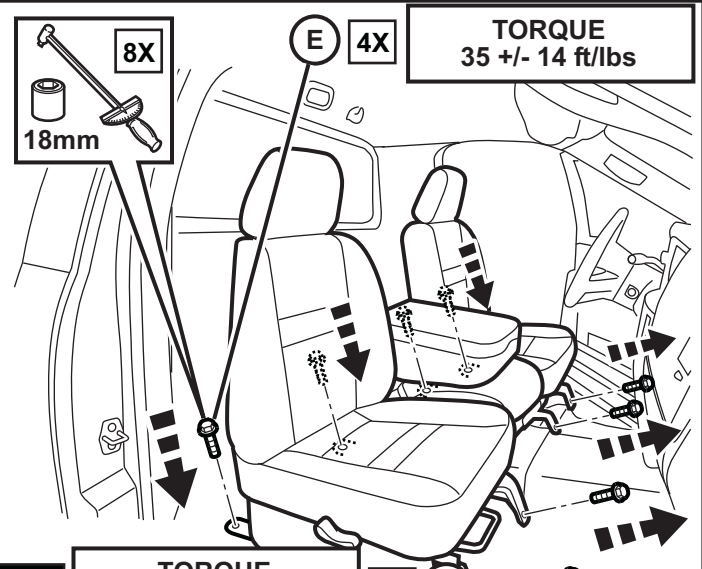
18



19



20



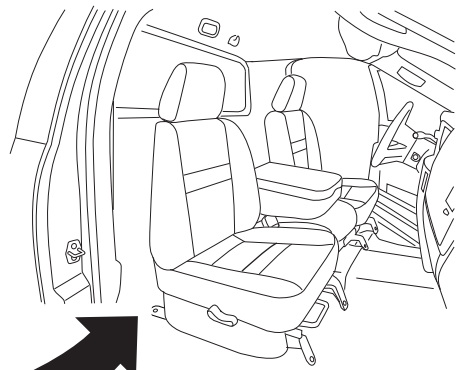
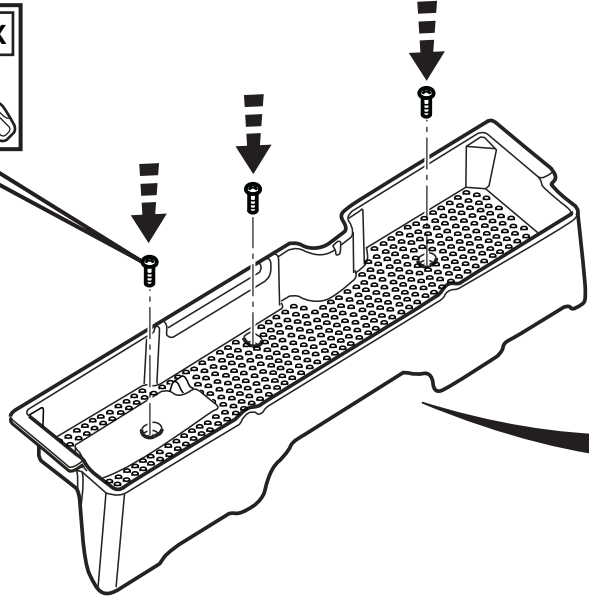
21

TORQUE
21 +/- 4 ft/lbs

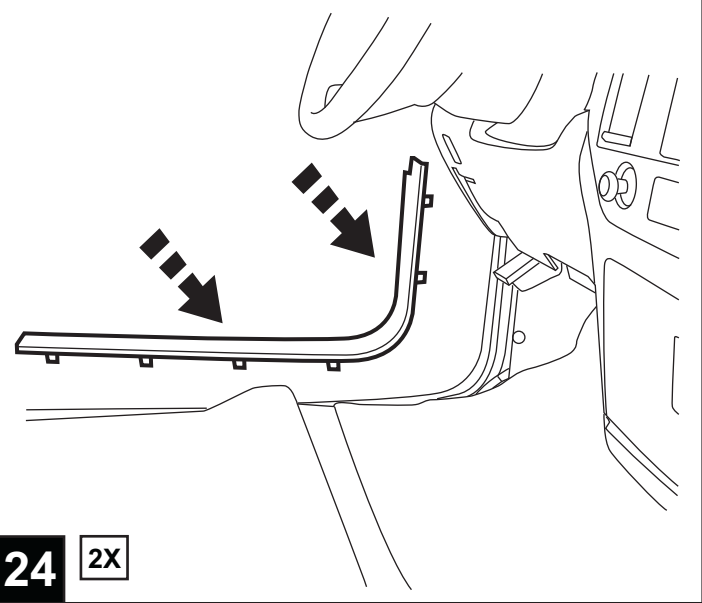
4X D



22



23



24

2X