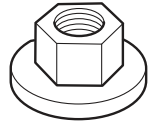


Challenger Rear Spoiler

Parts Supplied



2x

A



2x

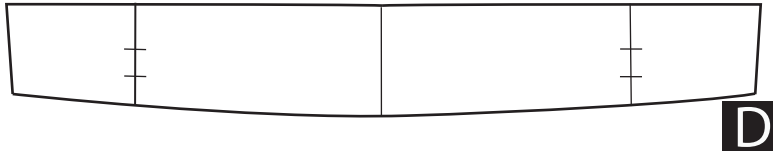
B



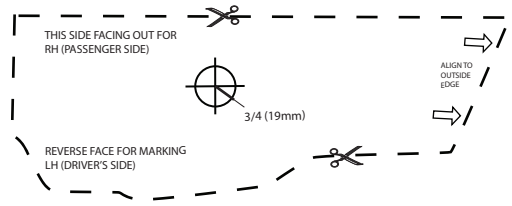
2x

C

Templates



D



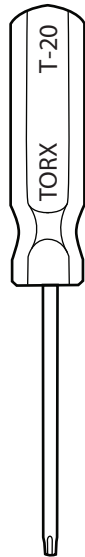
E

pg. 5
of manual

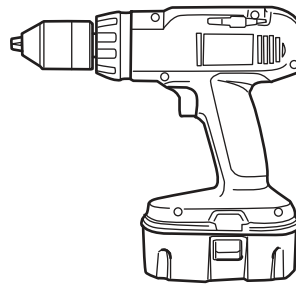
Required Tools



F



G



12.7 mm (1/2")

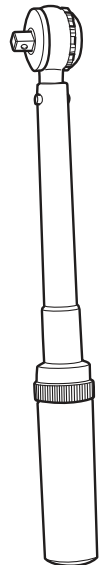
8mm (5/16")

3mm (1/8")

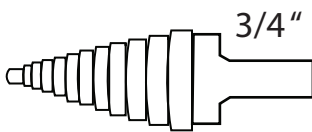
H



10mm



I

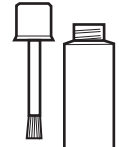


3/4"

J

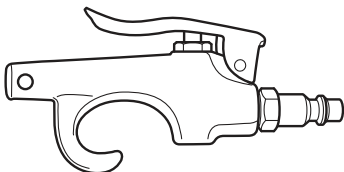


K



MOPAR #82300508

L



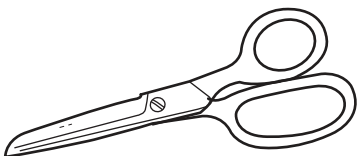
M



N



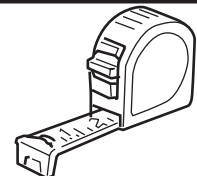
O



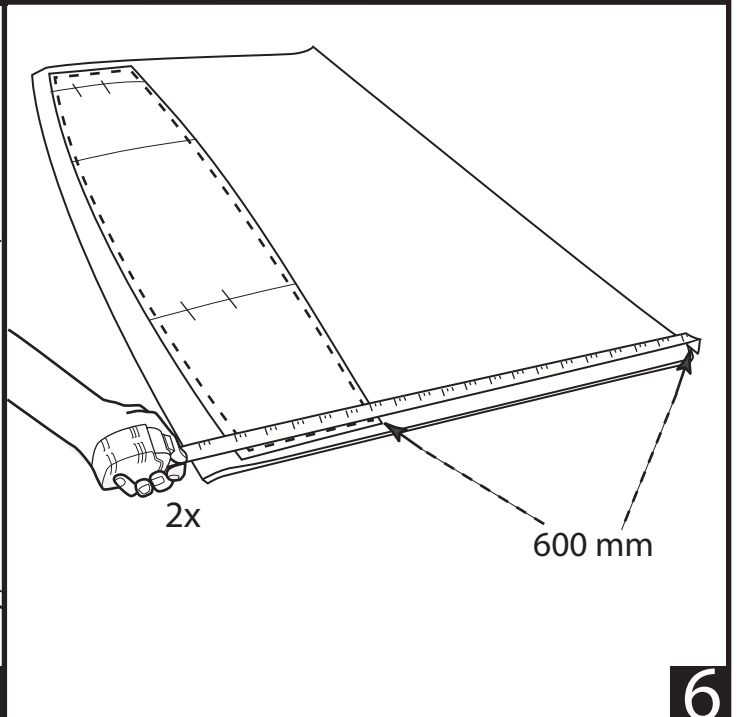
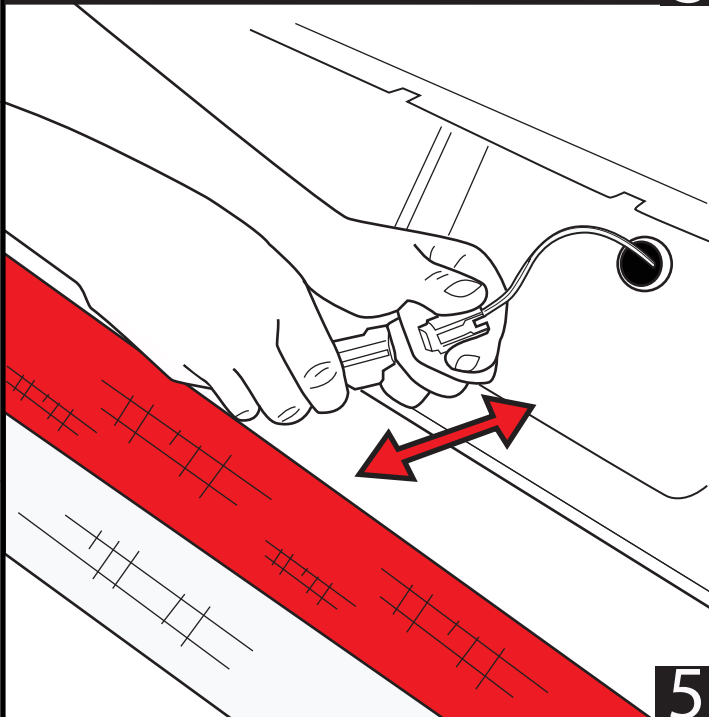
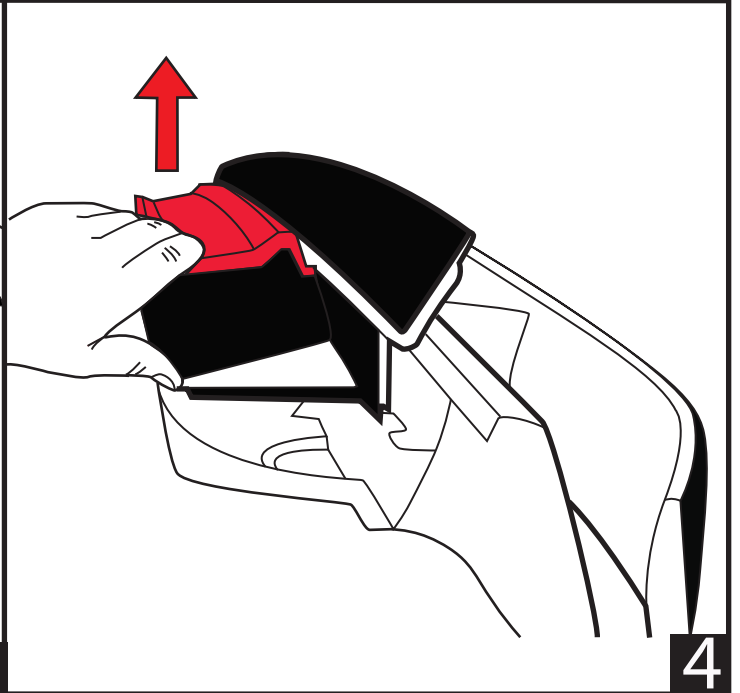
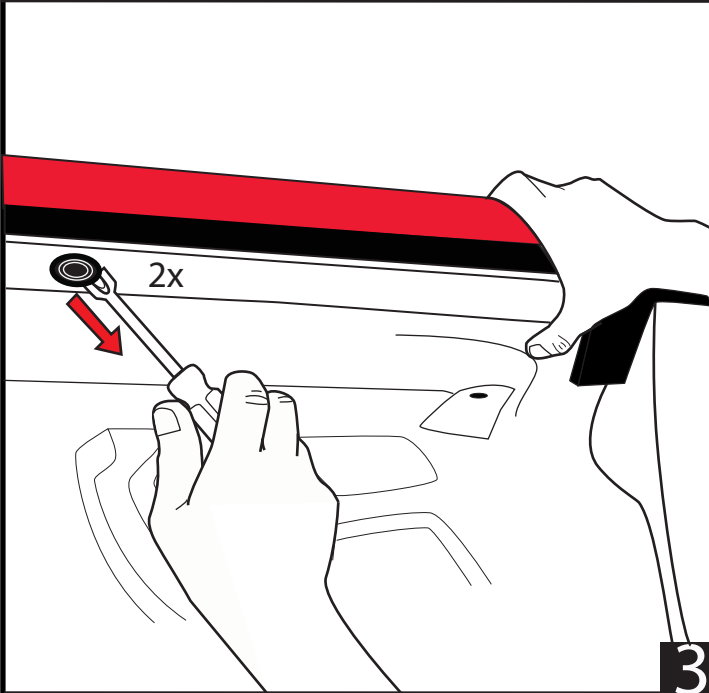
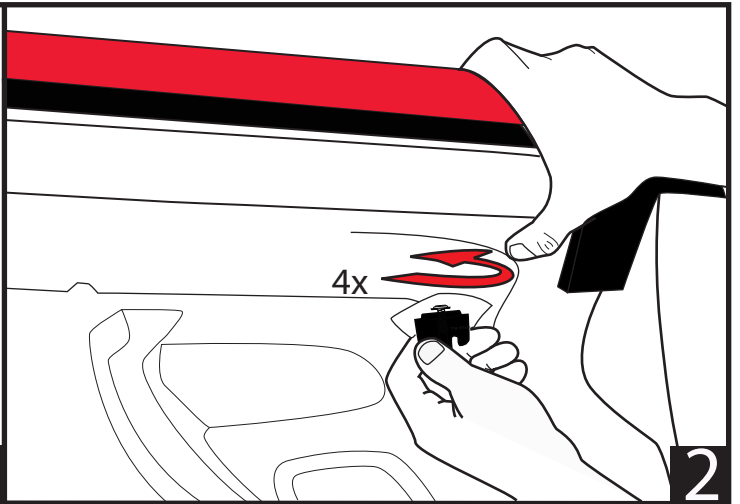
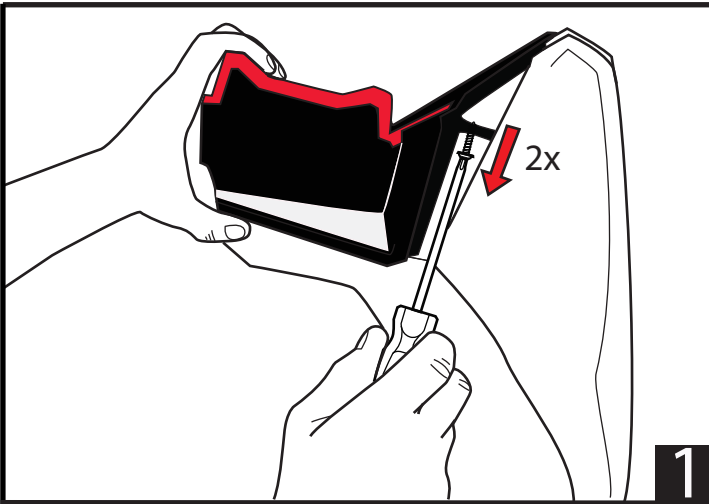
P

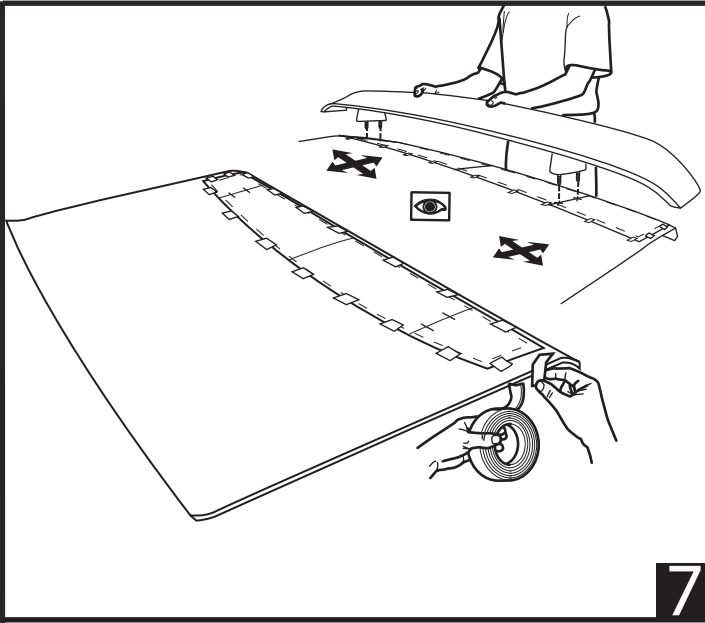


Q

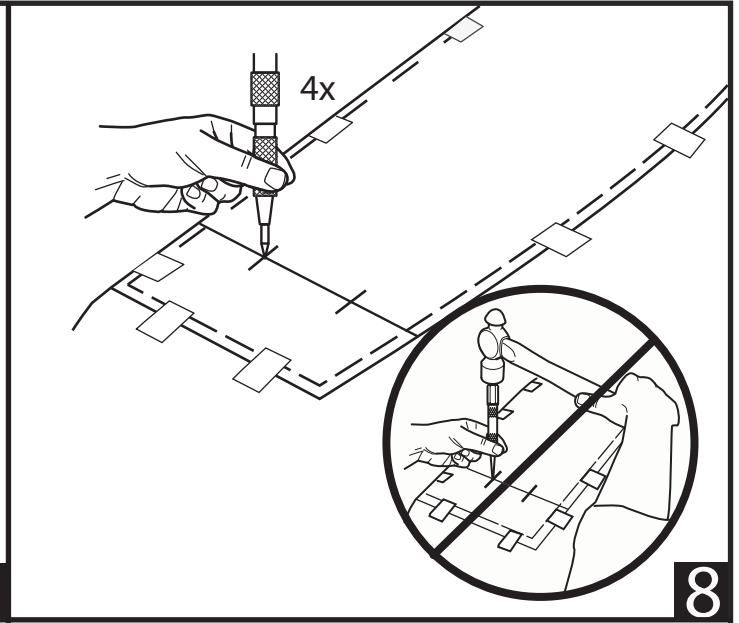


R

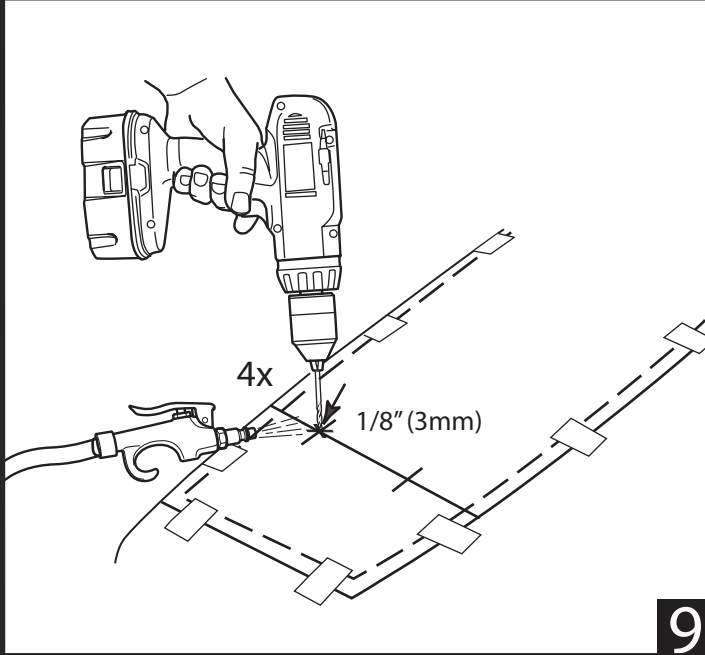




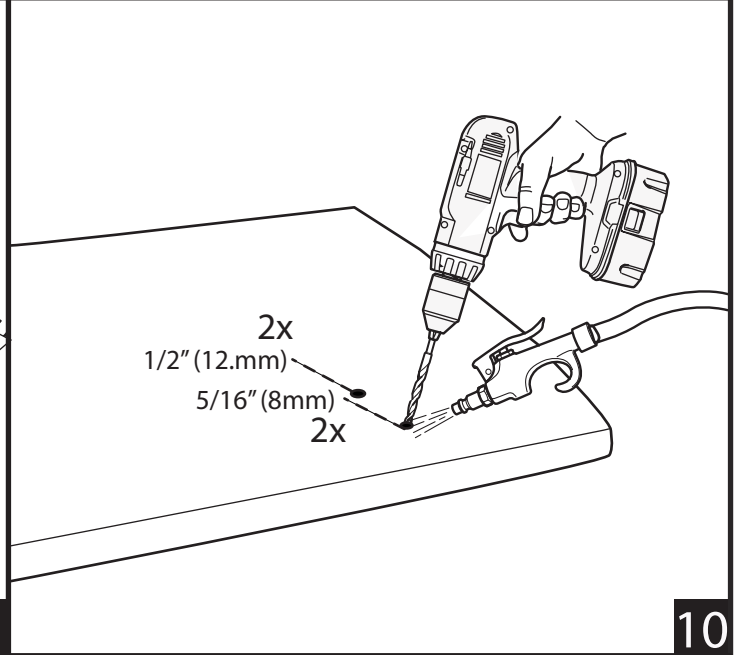
7



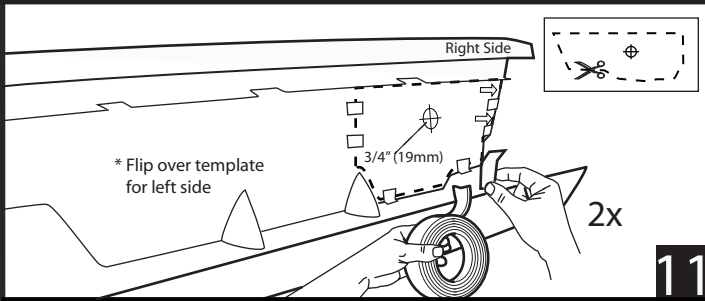
8



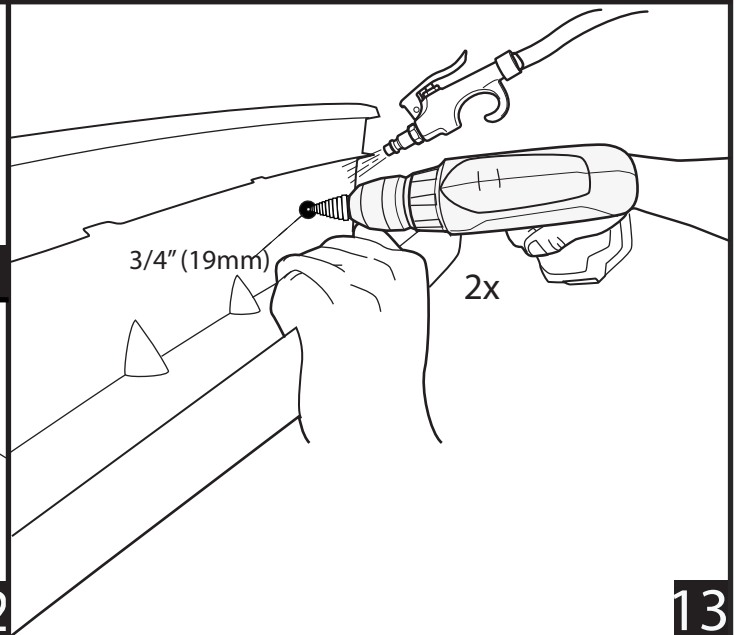
9



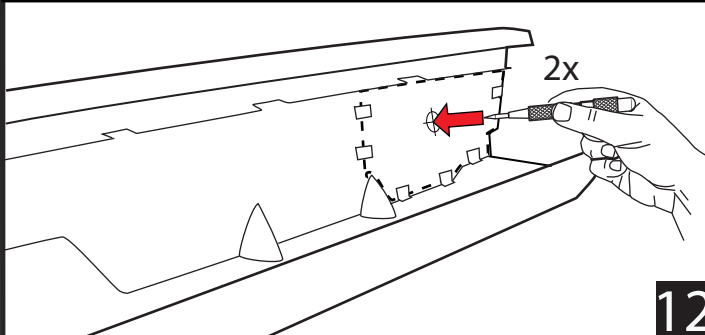
10



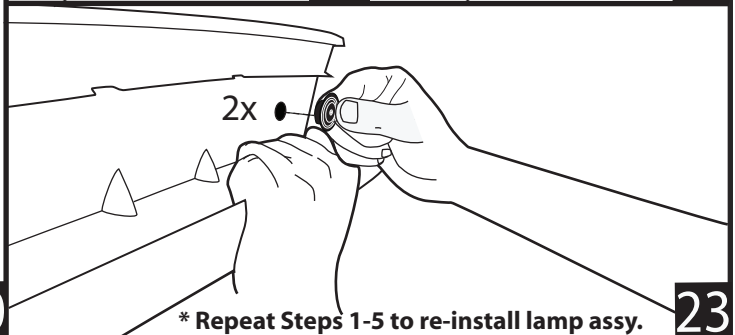
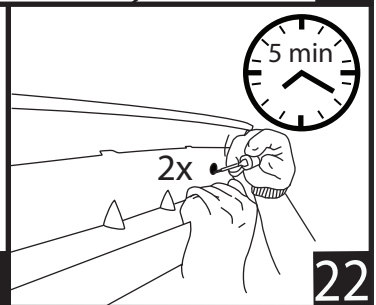
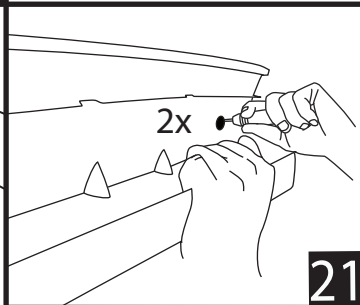
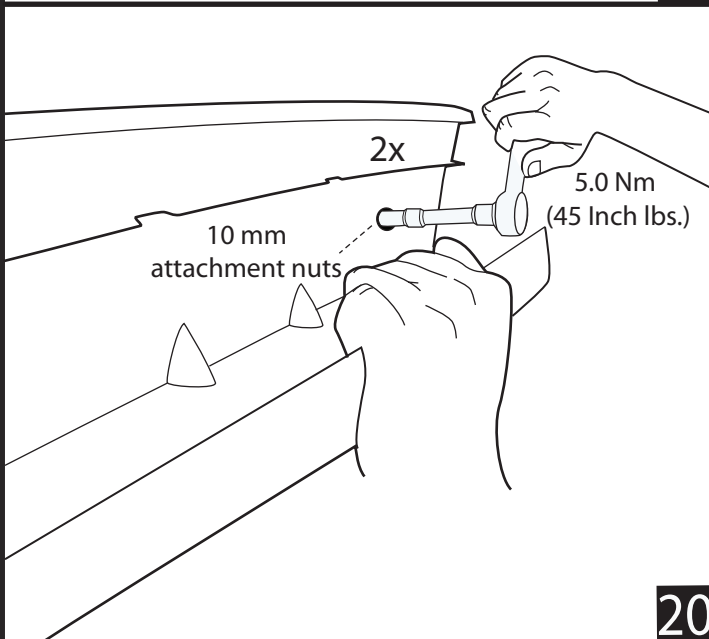
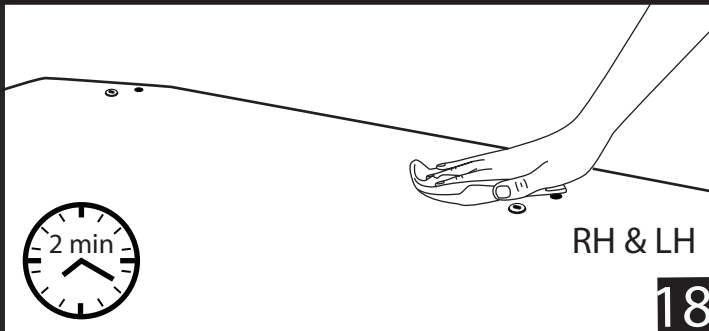
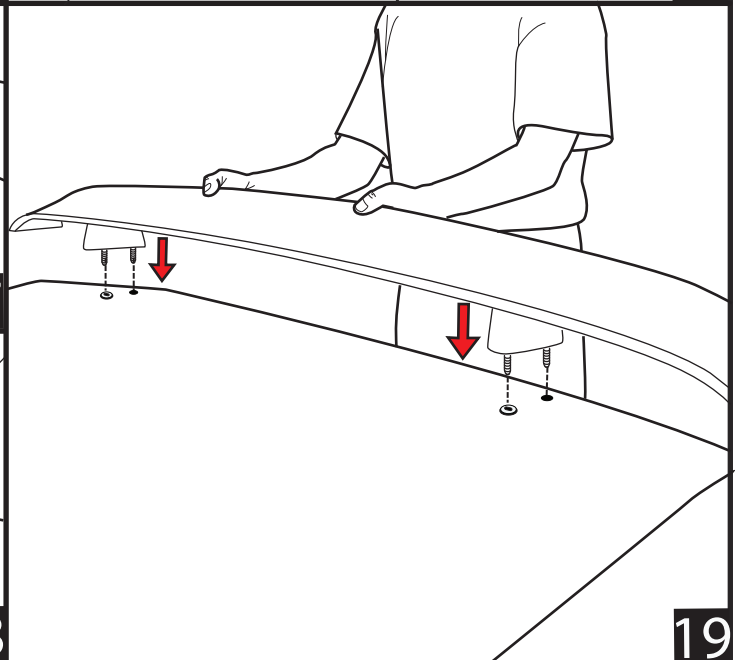
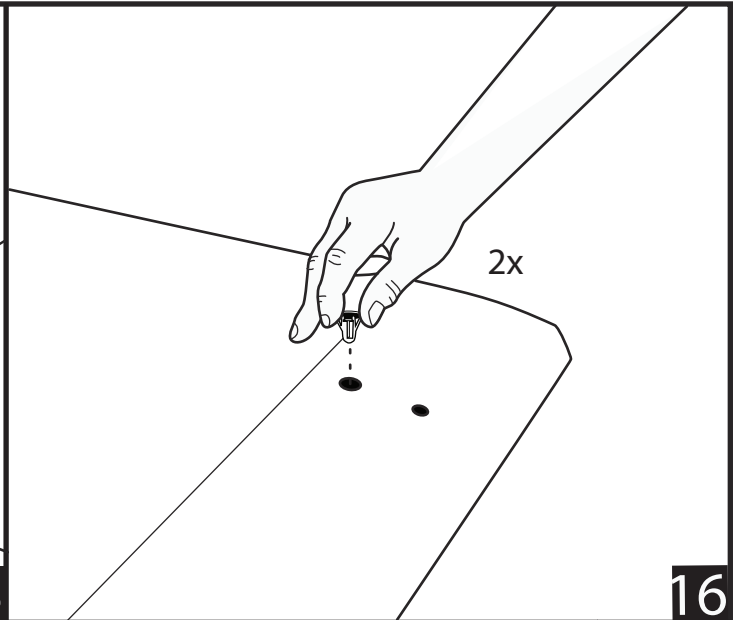
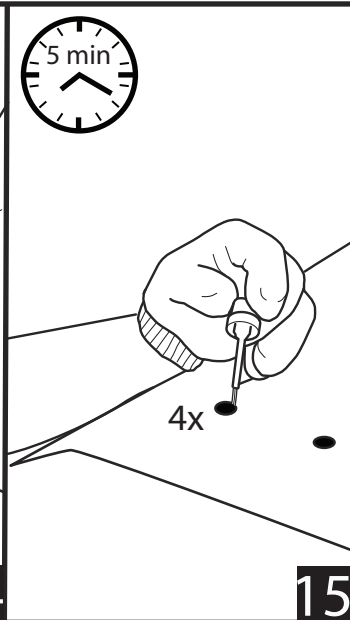
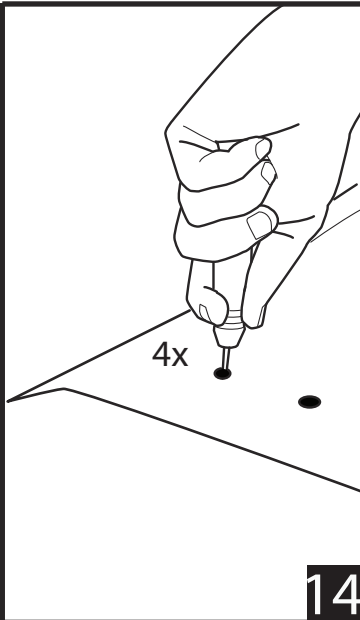
11



13



12

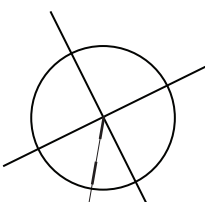


* Repeat Steps 1-5 to re-install lamp assy.

1:1 Scale 100mm

THIS SIDE FACING OUT FOR
RH (PASSENGER SIDE)

REVERSE FACE FOR MARKING
LH (DRIVER'S SIDE)



$\frac{3}{4}$ (19mm)



ALIGN TO
OUTSIDE
EDGE

