



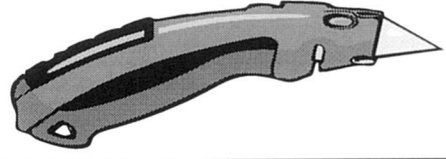
# Ram

## Front Splashguards with Fender Flares

<b>A</b> 	<b>B</b> 	<b>C</b>  6X	<b>D</b>  2X	<b>E</b>  1/4 6mm	7/16 (11mm) socket   FOR ITEM "E"	 5/16" 8mm 
--------------	--------------	--------------------	--------------------	----------------------------	---	-------------------



SCREWDRIVER FOR ITEM "D"  
TOURNEVIS POUR ARTICLE "D"  
DESARMADOR PARA ARTICULO "D"



**1**

5/16" 8mm

**A**

**2**

DO NOT REMOVE  
NE PAS RETIRER  
NO REMOVER

**3**

REMOVE ONLY HATCHED AREA OF FENDER WELL  
SUPPRIMER UNIQUEMENT ZONE HACHUREE DE GARDE-BOUE  
REMOVER SOLO AREA SOBRESALIENTE DEL REVESTIMIENTO

**4**

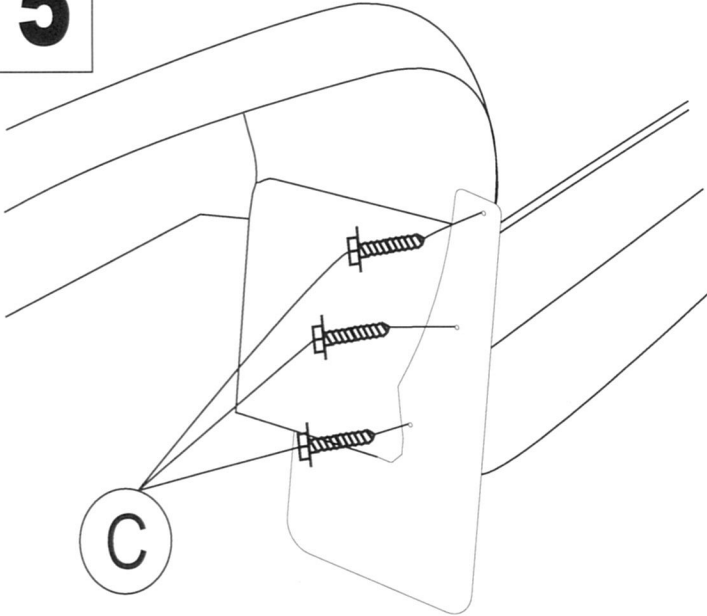
BEHIND LINER  
DERRIÈRE LA TOILE  
DETRÁS DE REVESTIMIENTO



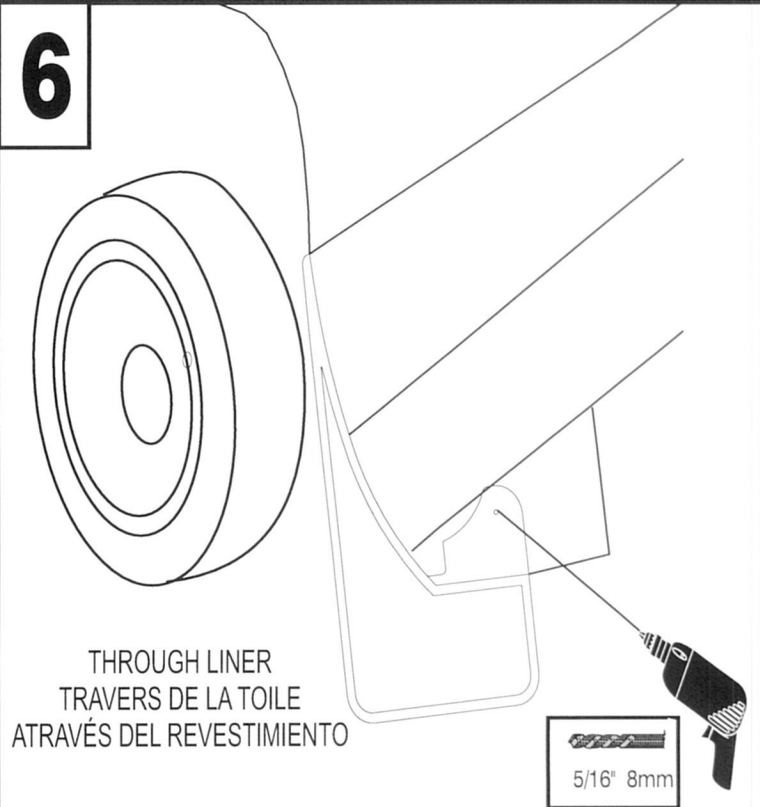
# Ram

## Front Splashguards with Fender Flares

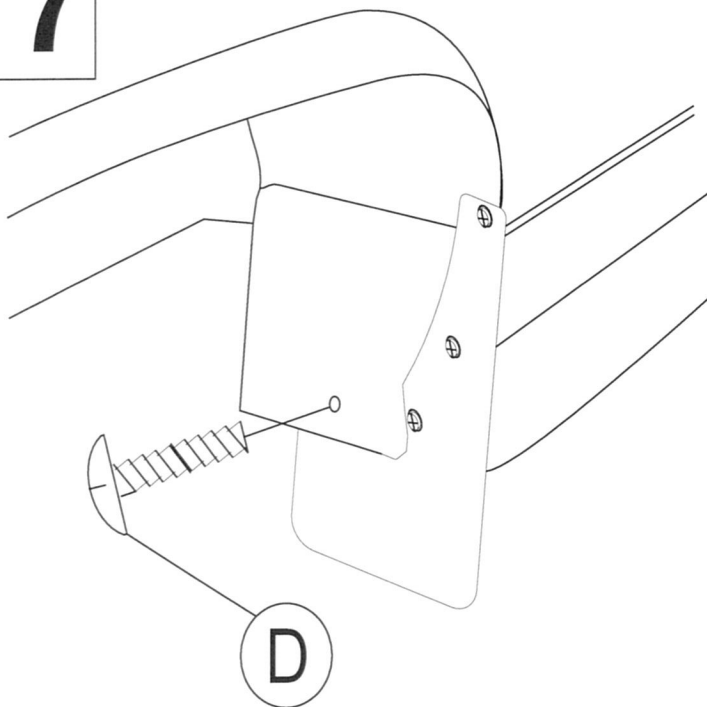
5



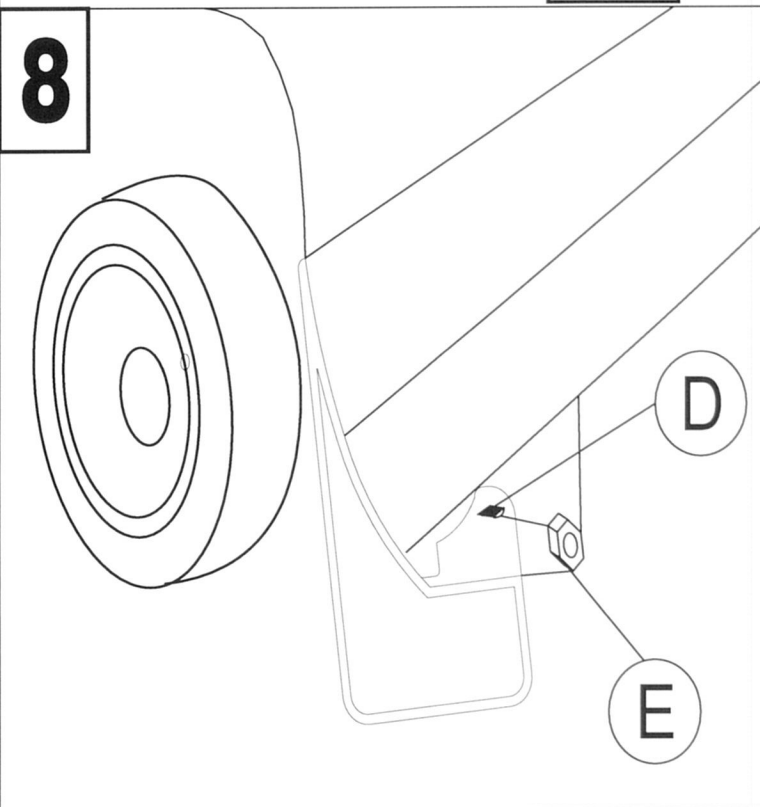
6



7



8



DO NOT USE POWER SCREWDRIVER TO TIGHTEN SCREWS. DO NOT OVERTIGHTEN  
NE PAS UTILISER DE TOURNEVIS ELECTRIQUE POUR SERRER LES VIS. PAS TROP SERRER.  
NO USAR DASARMADOR ELECTRICO PARA APRETAR LOS TORNILLOS. NO FORZAR.