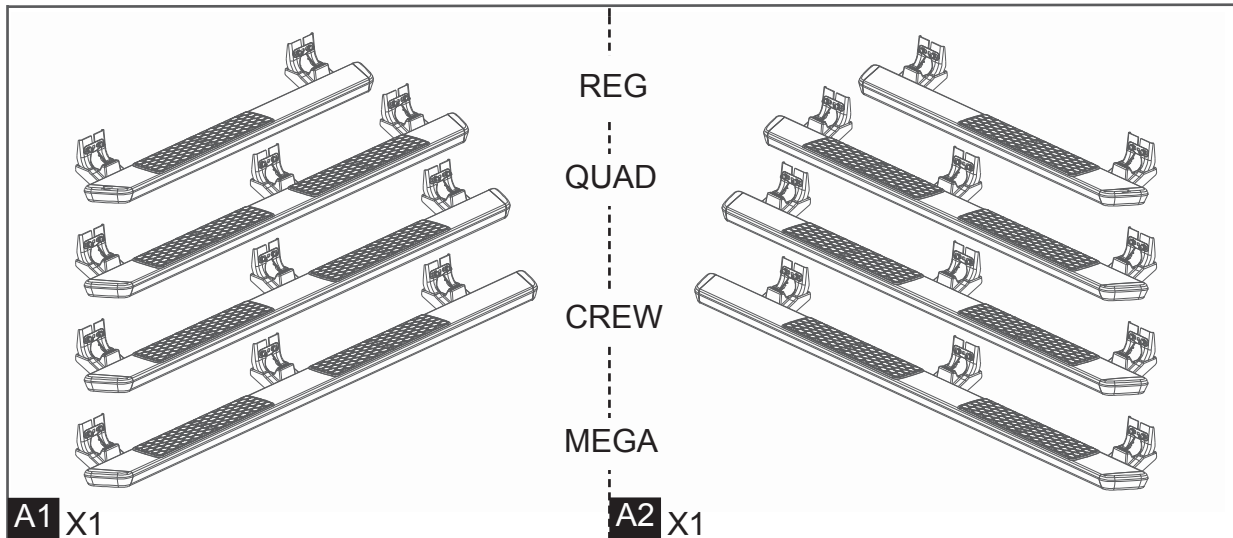


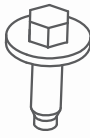


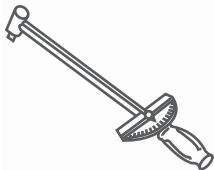

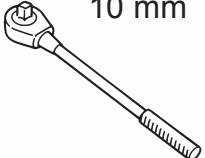

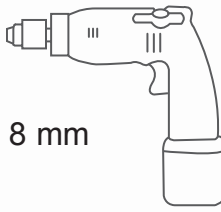







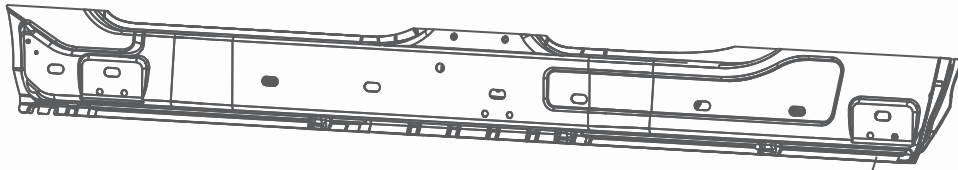
Passenger Side Shown  
 El Lado del Pasajero Mostrado  
 Côté passager illustré

# Dodge Ram

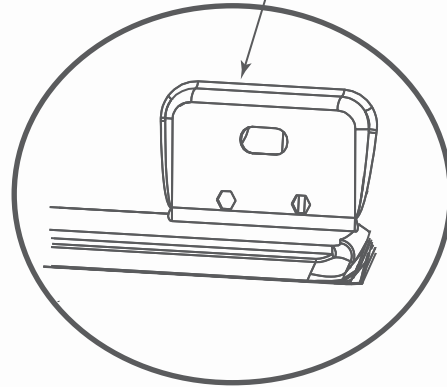
Running Board  
 Estribo  
 Marche pied



 <p>Quad X12 Crew X12 Mega X12 Regular X8</p> <p><b>M8</b></p>	 <p>Quad X12 Crew X12 Mega X12 Regular X8</p> <p><b>M8</b></p>	 <p>Quad X12 Crew X12 Mega X12 Regular X8</p> <p><b>M6</b></p>	 <p>Rivnut Installation Tool        Herramienta de instalación de remaches-tuercas        Outil de pose d'écrou à river</p>		
<p><b>B</b></p>  <p>10 mm</p> 	<p><b>C</b></p>  <p>8 mm</p> 		<p><b>D</b></p> 		
	 <p>82300508ab</p>		<p>1</p> <div style="border: 1px solid black; padding: 5px; width: fit-content; margin: 0 auto;">       Check the bolt pack for the correct number of fasteners as indicated on the I-sheet.     </div>		

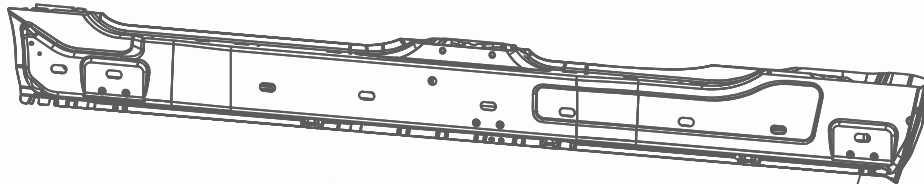


Front of Vehicle  
Avant du Vehicule  
Parte Delanteradel Vehiculo

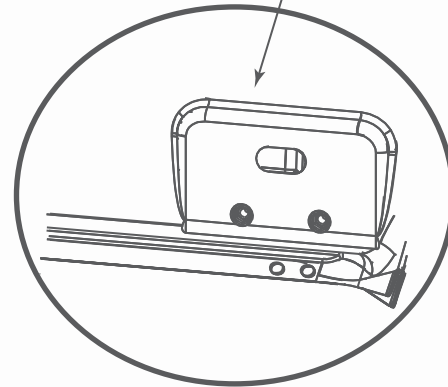


2008-2012

Crew Shown



Front of Vehicle  
Avant du Vehicule  
Parte Delanteradel Vehiculo



2013 +

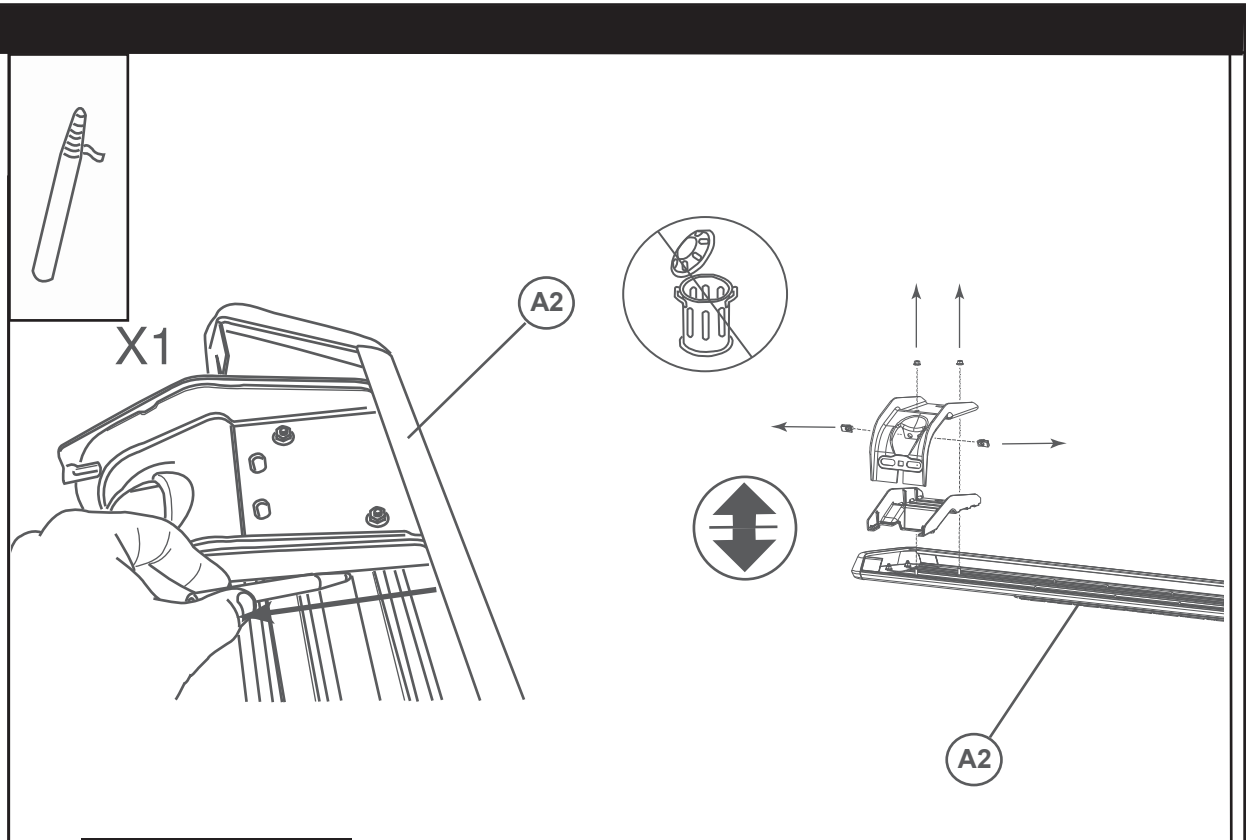
Crew Shown

2013 VEHICLE  
CREW  
6X M8 RIVNUTS INSTALLED  
6X SLOTS PUNCHED IN PINCH WELD  
REG  
4X M8 RIVNUTS INSTALLED  
4X SLOTS PUNCHED IN PINCH WELD

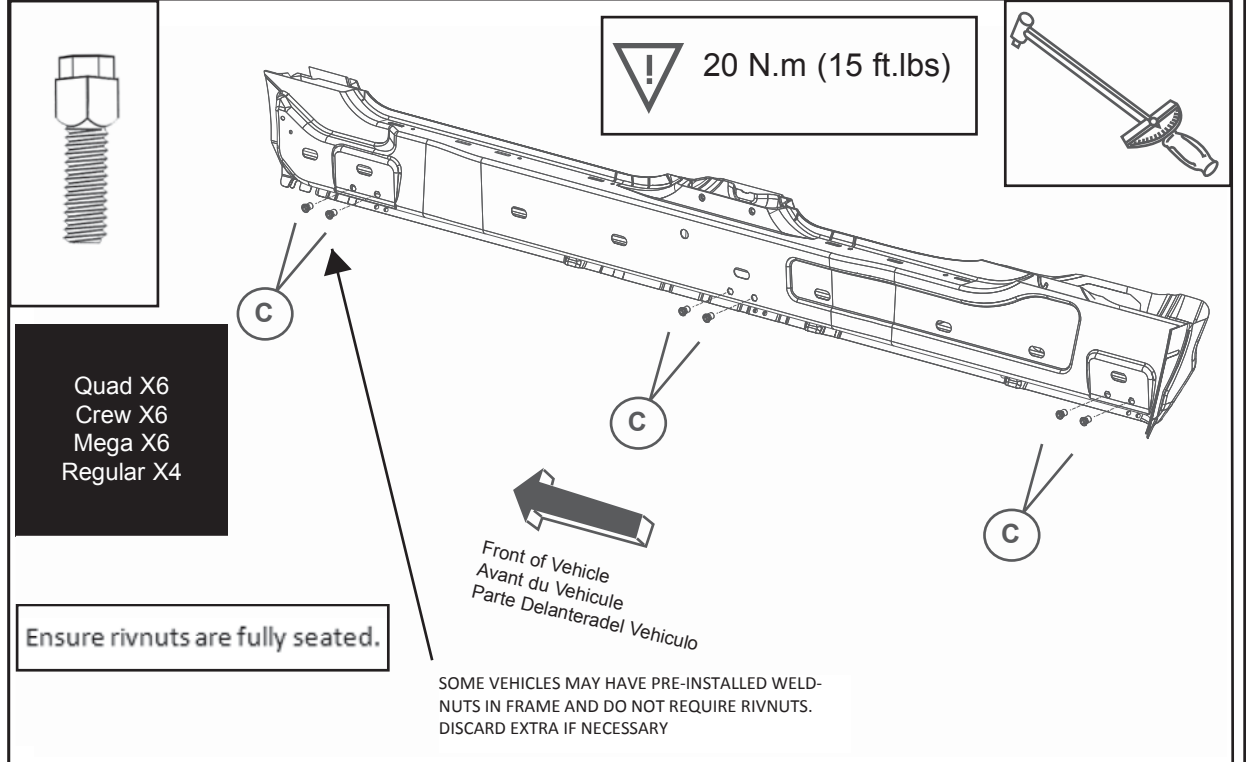


If model year is 2008-2012 proceed to step 3. If model year is 2013 or newer proceed to step 9.

2



**3 Crew Shown**

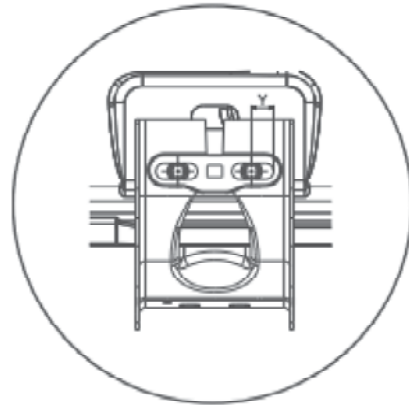
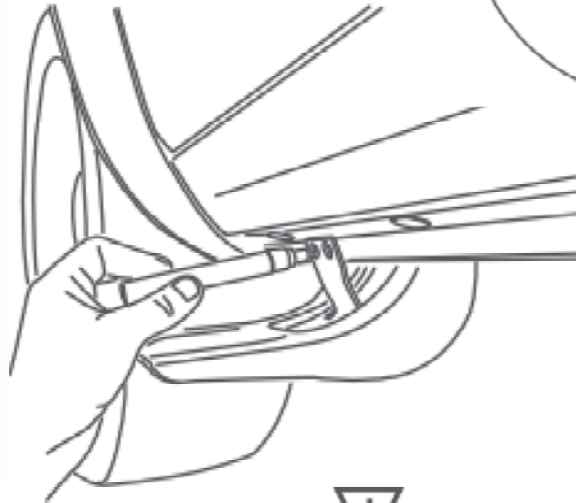


**4 Crew Shown**



Quad X6  
Crew X6  
Mega X6  
Regular X4

Crew Shown



Using 2 M8 fasteners (item B) loose assemble the bracket removed in step 3 and mark the drill locations in the pinch weld. All measurements will be taken from the rear most edge of the rear slot on the upper part of the bracket to the center of the corresponding rivnut.

Measurements:

Front Bracket (Quad, Crew, Mega & Regular) = 18mm

Center Bracket (Quad, Crew & Mega) = 24mm

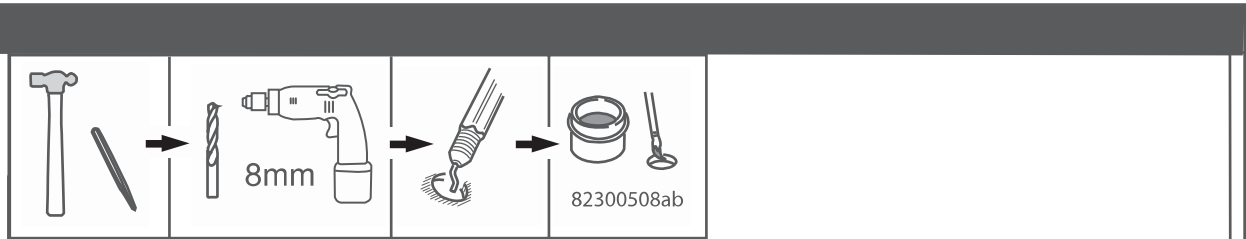
Rear Bracket (Quad, Crew & Mega) = 12mm

Rear Bracket (Regular) = 15mm

5

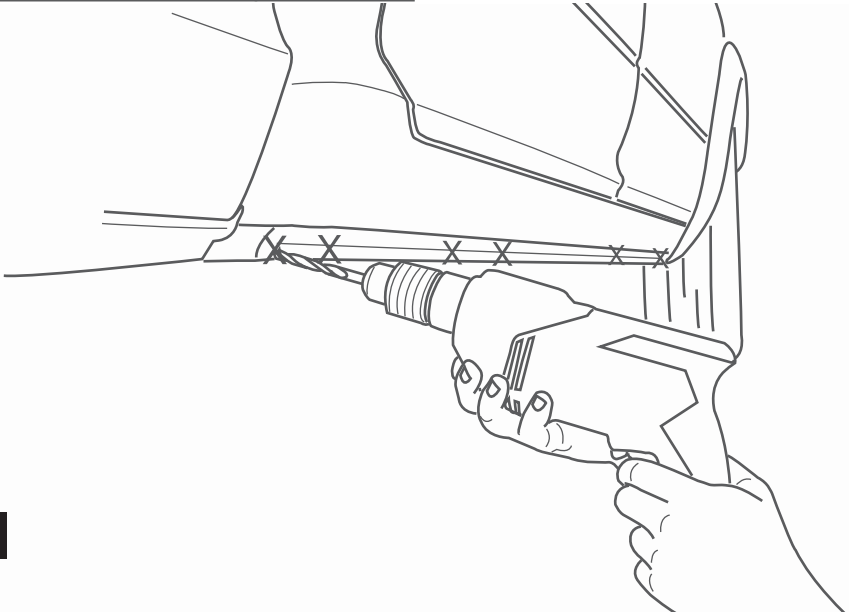
Repeat step 5 for all remaining bracket locations on the left and right hand side of the vehicle.

6

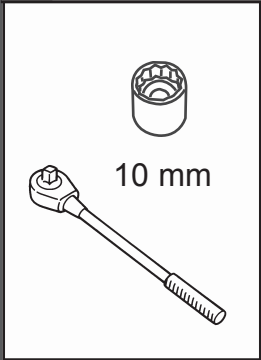


Quad X6  
 Crew X6  
 Mega X6  
 Regular X4

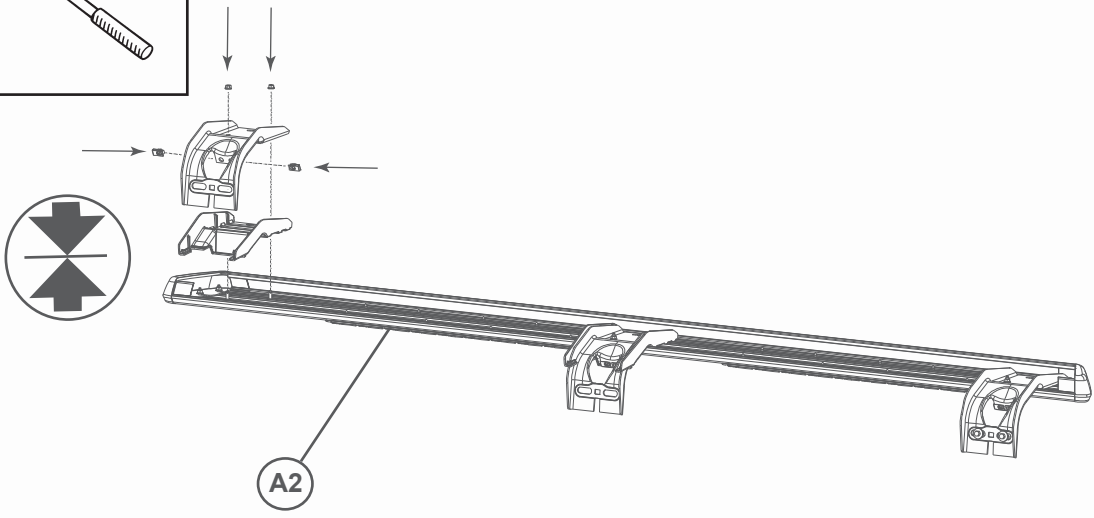
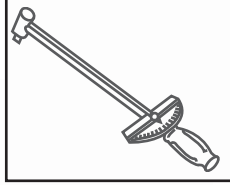
Crew Shown



7

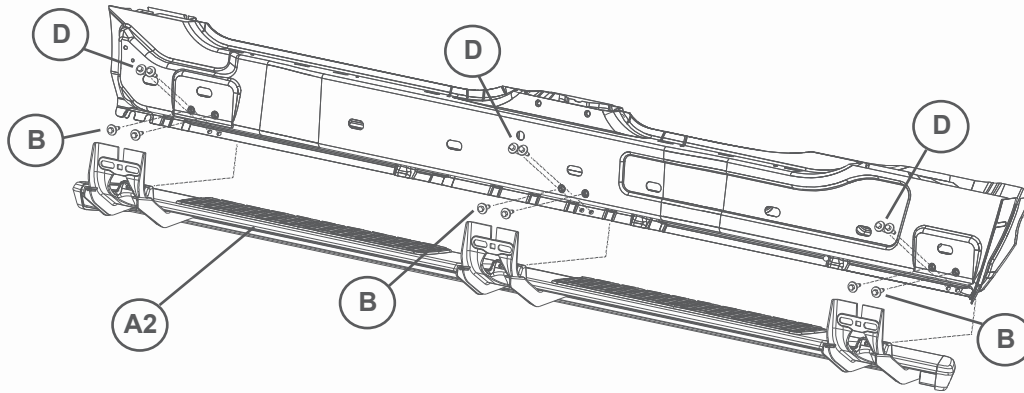


⚠ 13 N.m (10 ft.lbs)



8

Align the slots in the pinch weld with the lower bracket holes. Make sure the rivnuts are visible through the slots on the upper portion of the bracket. No center bracket on Regular vehicle.

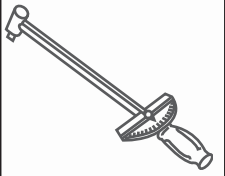


Front of Vehicle  
 Avant du Vehicule  
 Parte Delanteradel Vehiculo



9

Crew Shown



**B**

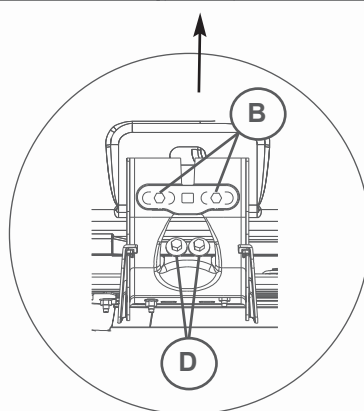
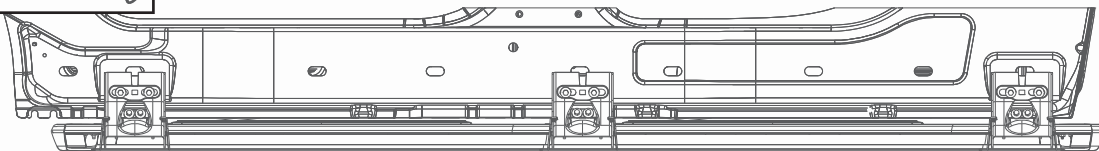


23 N.m (17 ft.lbs)

**D**



13 N.m (10 ft.lbs)



10

Crew Shown