

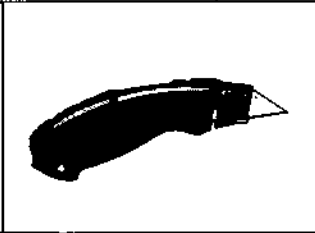


Ram

Front Splash Guards without Fender Flares

A 	B 	C 6X	D 2X	E 6mm [1/4"] 2X	 8mm [5/16"]
--------------	--------------	--------------------	--------------------	----------------------------------	---------------------

SCREWDRIVER FOR ITEM "D"
TOURNEVIS POUR ARTICLE "D"
DESARMADOR PARA ARTICULO "D"



11mm [7/16"] socket

FOR ITEM "E"

1

8mm [5/16"]

2

DO NOT REMOVE
NE PAS RETIRER
NO REMOVER

3

REMOVE ONLY HATCHED AREA OF FENDER LINER
SUPPRIMER UNIQUEMENT ZONE HACHUREE DE GARDE LA TOILE
REMOVER SOLO AREA SOBRESALIENTE DEL REVESTIMIENTO

4

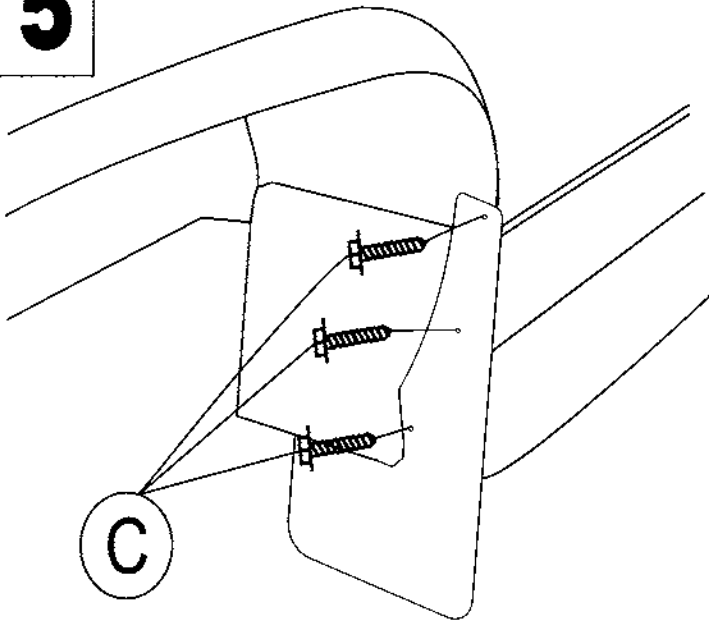
BEHIND LINER
DERRIÈRE LA TOILE
DETRÁS DE REVESTIMIENTO



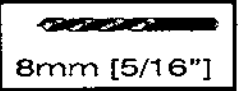
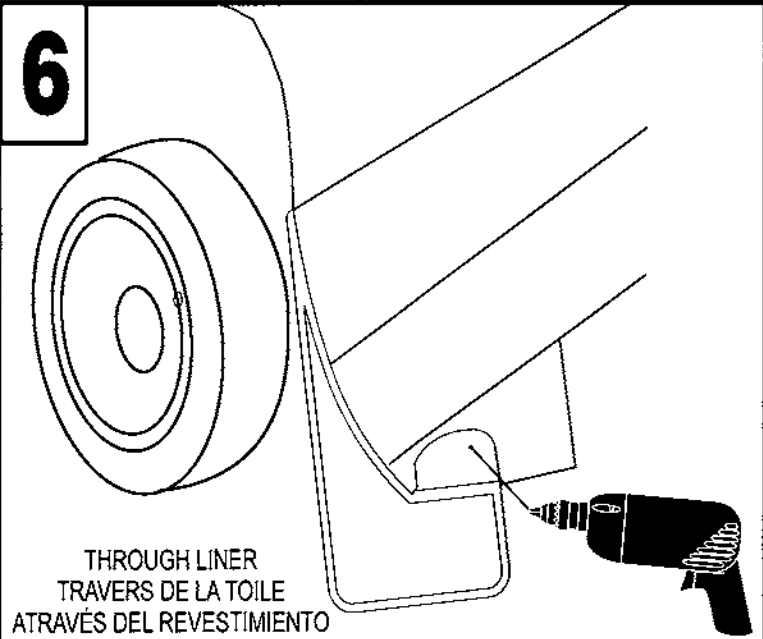
Ram

Front Splashguards without Fender Flares

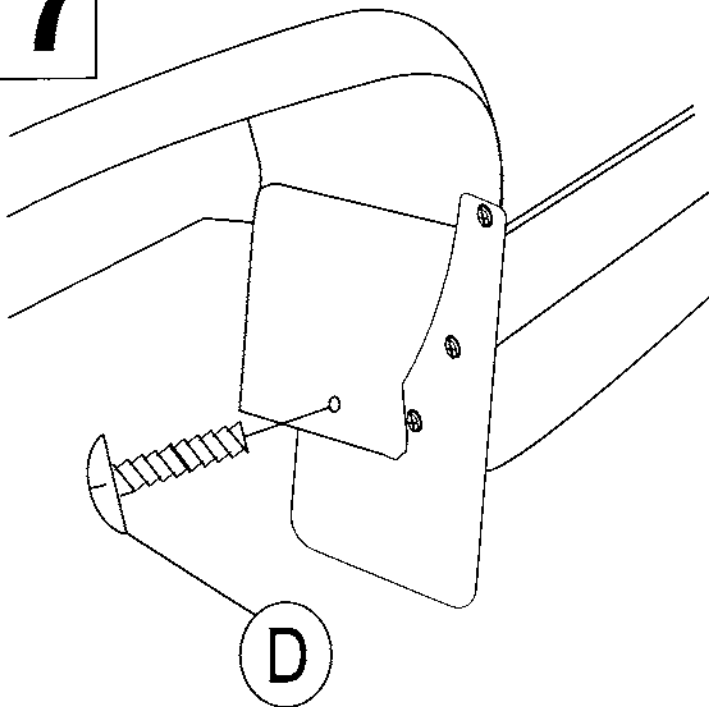
5



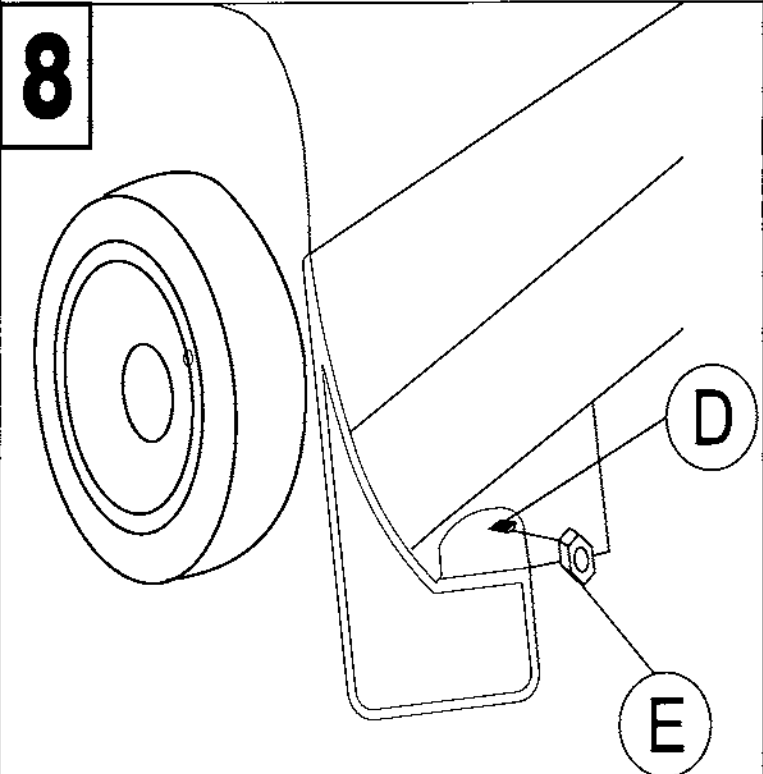
6



7



8



DO NOT USE POWER SCREWDRIVER TO TIGHTEN SCREWS. DO NOT OVERTIGHTEN
NE PAS UTILISER DE TOURNEVIS ELECTRIQUE POUR SERRER LES VIS. PAS TROP SERRER.
NO USAR DASARMADOR ELECTRICO PARA APRETAR LOS TORNILLOS. NO FORZAR.