

IMPORTANT: BE SURE TO ASSEMBLE ALL TOOLS BEFORE STARTING REPAIR.

1

USE UTILITY KNIFE TO CUT AROUND THE GOUGE IN THE BED LINER.

2

REMOVE THE SLUG OF MATERIAL INSIDE THE CUT LINE.

3

USE A FLAT HEAD SCREWDRIVER TO CLEAN REMAINING DEBRIS FROM THE REPAIR AREA.

4

USE A PREP SOLVENT TO CLEAN THE ARE AND ALLOW TO DRY.

5

TIGHTLY MASK AROUND THE REPAIR AREA WITH ANY GENERAL MASKING TAPE.

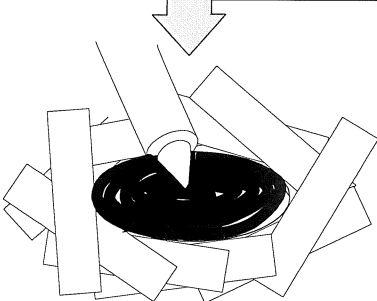
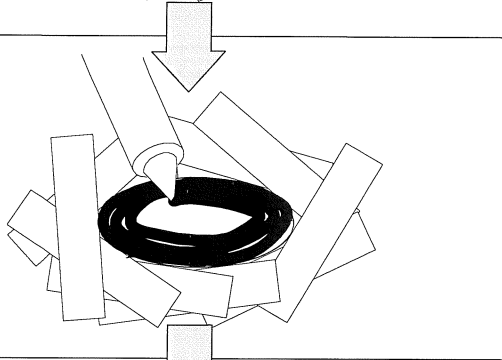
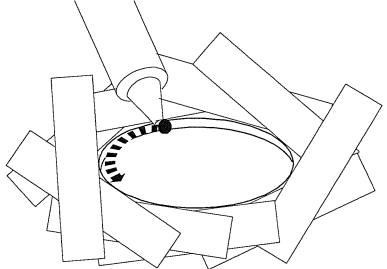
6

PRIME THE MIXING TIP AWAY FROM THE REPAIR AREA TO ENSURE PROPER MATERIAL MIXING



7

CAUTION: DO NOT OVERFILL. FILL LEVEL SHOULD BE SLIGHTLY ABOVE ORIGINAL BED LINER



TIGHTLY MASK AROUND THE REPAIR AREA WITH ANY GENERAL MASKING TAPE.

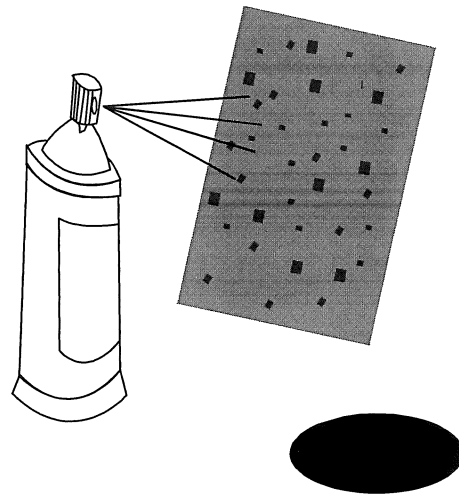
8

BE SURE ENTIRE AREA HAS BEEN FILLED, THEN CAREFULLY REMOVE THE MASK.

WAIT APPROXIMATELY 7 TO 8 MINUTES TO ALLOW MATERIAL TO PARTIALLY SET UP BEFORE PROCEEDING TO NEXT STEP.

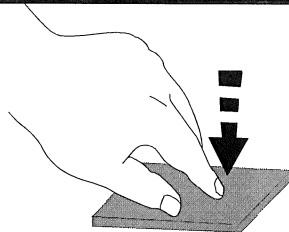
9

CAUTION: FAILURE TO WAIT WILL CAUSE MATERIAL TO STICK TO THE TEXTURE PAD.



GENEROUSLY COAT ENTIRE SURFACE OF TEXTURE PAD. (THIN LAYER OF LITHIUM GREASE MAY BE USED IN PLACE OF MOLD RELEASE)

10

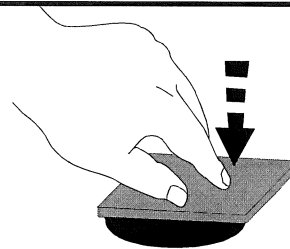


APPLY FIRM AND EVEN PRESSURE OVER REPAIR AREA. HOLD FOR 30 SECONDS.

RELEASE AND ALLOW PAD TO SET IN PLACE FOR 30 SECONDS.

RE-APPLY PRESSURE FOR 30 SECONDS THEN REMOVE THE PAD

11



REPAIR AREA WILL APPEAR DIFFERENT IN COLOUR SINCE MATERIAL HAS NOT FULLY SET UP.

IF REPAIR AREA IS OVERFILLED, USE THE EDGE OF THE TEXTURE PAD TO SMOOTH OUT.

WAIT 10 MINUTES, THEN APPLY BED LINER CONDITIONER TO THE REPAIR AREA.