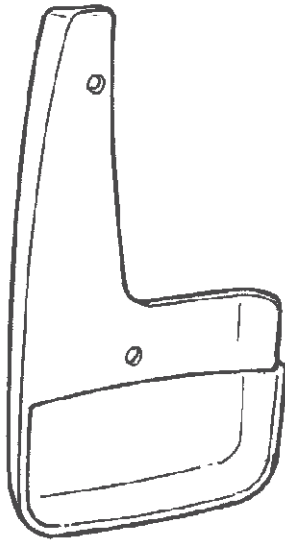




# JEEP PATRIOT

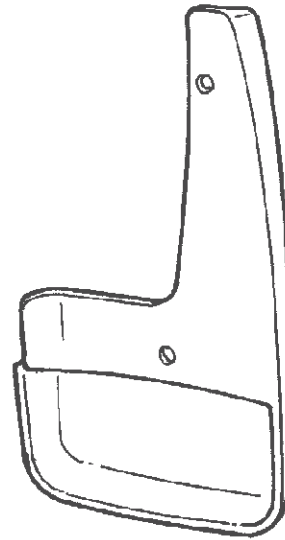
## Rear Splashguards

Rear Right

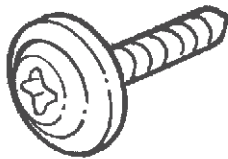


**A**

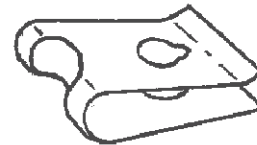
Rear Left



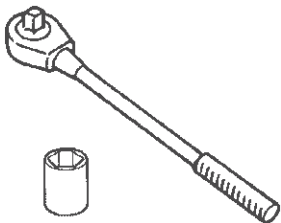
**B**



**C** 2X



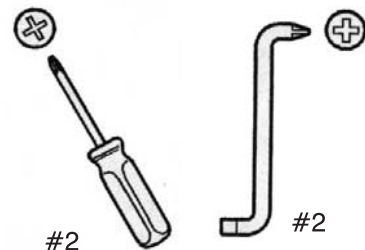
**D** 2X



7mm  
Socket/Driver

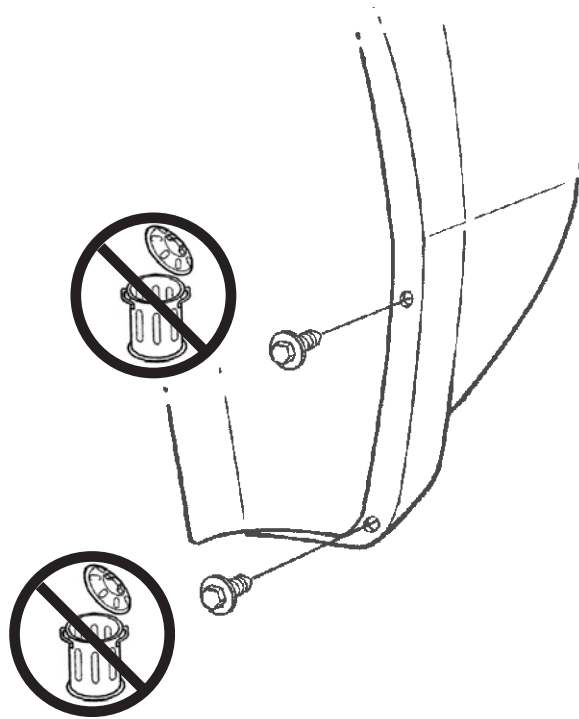


1/4" (6.3 mm)

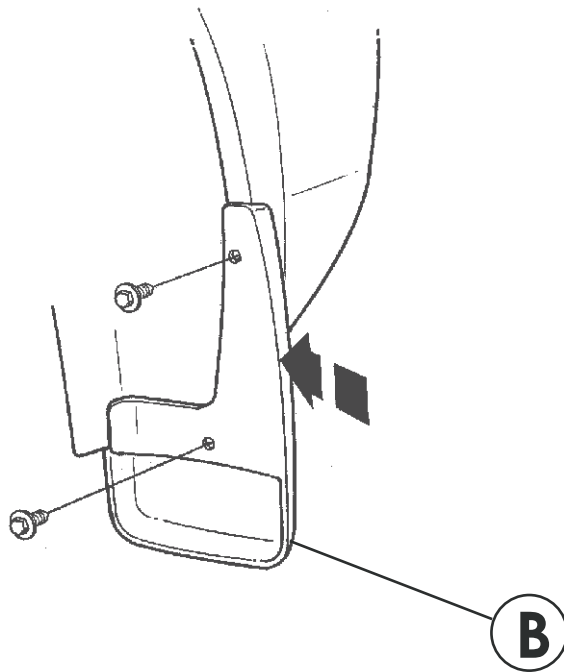


#2

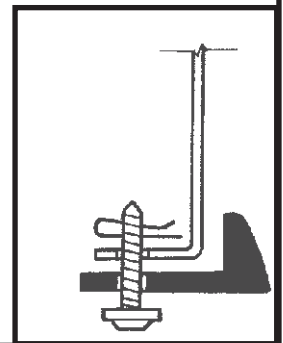
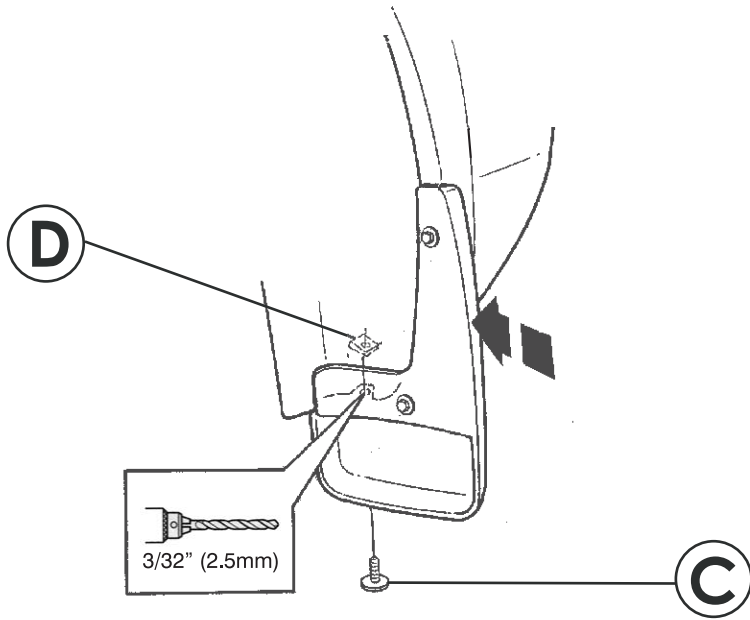
#2



**1**



**2**



**3**