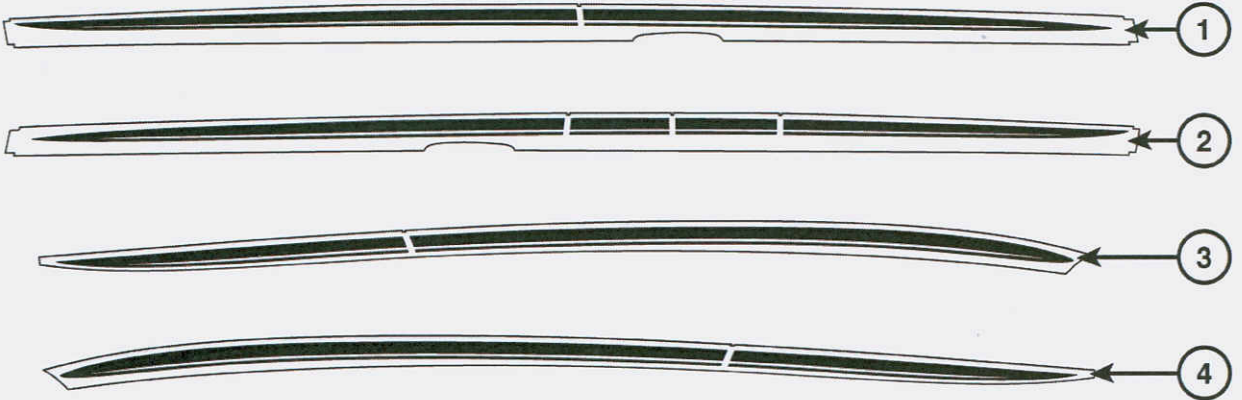




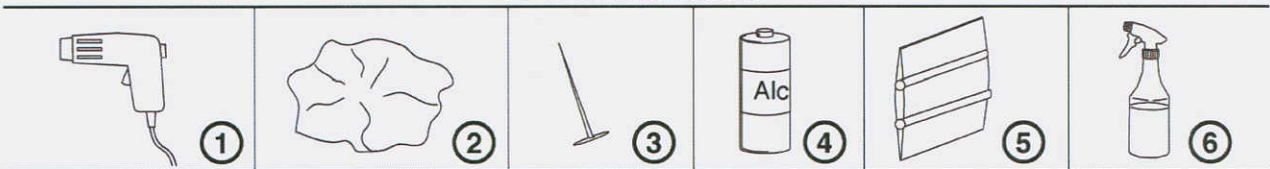
DOUBLE BODYSIDE STRIPE KIT

KIT # 82212519 2011 DODGE CHARGER



CALL OUT	DESCRIPTION	QUANTITY
1	Decal - Rear Door-Rear Fender RT	1
2	Decal - Rear Door-Rear Fender LT	1
3	Decal - Front Fender-Front Door RT	1
4	Decal - Front Fender-Front Door LT	1

TOOLS REQUIRED



CALL OUT	DESCRIPTION	QUANTITY
1	Heat Gun	1
2	Clean Lint-Free Cloth	1
3	Pin	1
4	100% Isopropyl Alcohol	1
5	Squeegee	1
6	Spray Bottle	1

Note:

- Wash hands prior to installation or use alcohol wipe.
- Vehicle and decal temperature should be between 70° F and 90° F.
- Leave vehicle in warm facility for 5 hours after application.
- DO NOT wash car for 5 days after installation.
- DO NOT apply in direct sunlight.
- Apply in a dust-free environment.
- Use a generous amount of solution.

Soap/Water Solution:

In a spray atomizer, mix the following:

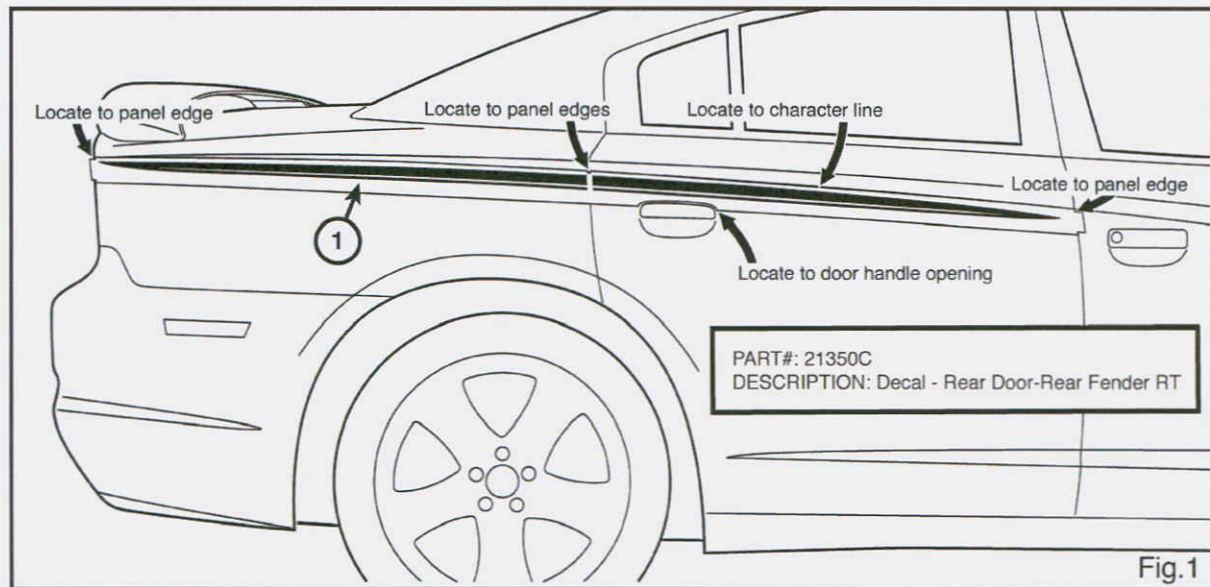
- 5 ml (1 tsp) liquid soap, (lanolin-free)
- 1 litre (1 qt) of water



2011 CHARGER DOUBLE BODYSIDE STRIPE DECAL INSTRUCTIONS

- 1. DEFECT REMOVAL :** Remove any dirt nibs or defects in the paint that would result in objectionable read-through defects after decal is applied.
- 2. BODY SURFACE:** Body surface temperature must be a minimum of 70°F during decal application to ensure conformability and initial adhesive bond.
- 3. ALCOHOL WIPE:** Wipe the body surface to which the decals will be applied with a clean, lint-free cloth moistened with isopropyl alcohol to remove contaminants.
- 4. DRY WIPE:** Wipe the same body surfaces as in step 3 with a clean, dry lint-free cloth to remove remaining haze.
- 5. REAR DOOR-REAR FENDER DECAL LINER REMOVAL:** Lay decal paper liner side up on flat, clean surface. Slowly remove paper liner in a 180° direction, keeping part as flat as possible. Avoid finger contact with decal adhesive surface. Spray exposed adhesive and the door surface with the wetting solution.

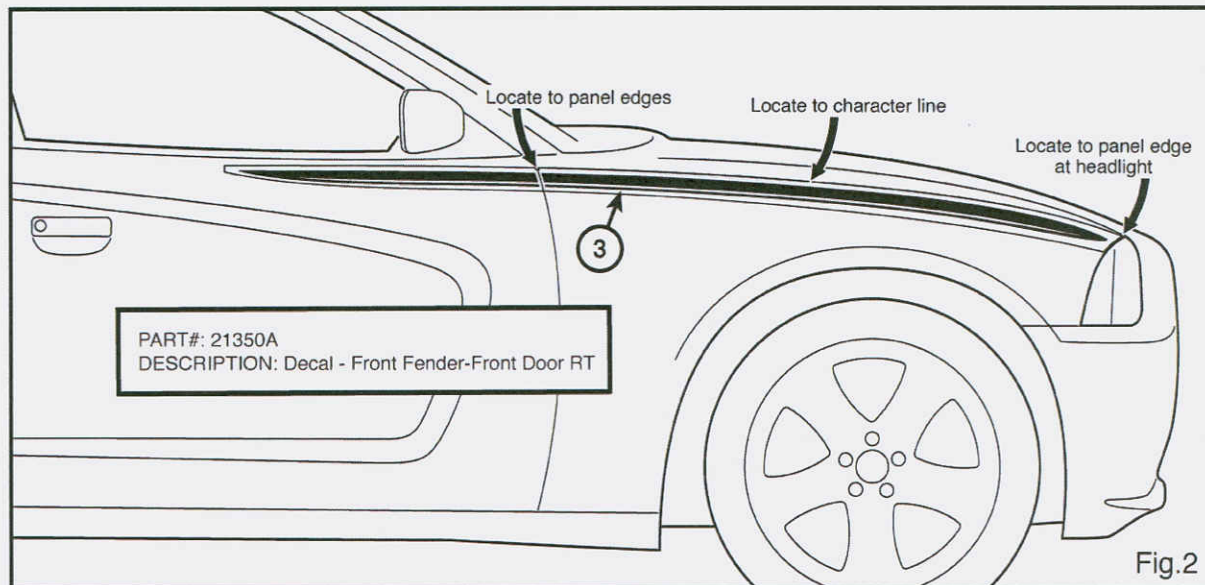
Rear Door-Rear Fender RT Decal



- 6. REAR DOOR-REAR FENDER DECAL POSITIONING:** Hold the premask area of the part and position to body using paper premask locators. First locate the premask to the front edge of the rear door panel. Then locate upper edge of premask to the character line and door cut as shown, (Fig.1). Do not pre-adhere decal to vehicle with hands. Keep decal as flat as possible. Do not allow the adhesive surface to become contaminated by touching clothing or floor, etc. **If the decal does not float into position**, add one to two more drops of liquid dish soap to the wetting solution and spray adhesive side again. Once decal is in position, spray the premask with the wetting solution. This will allow the squeegee to glide over the premask easier.

7. **SQUEEGEE:** Squeegee entire decal with a plastic squeegee. Start at the center and fan out to the edges using firm, overlapping strokes. Take extra care working the edge of the squeegee around the mirror seal.
8. **PREMASK REMOVAL:** Slowly remove the premask in a 180° direction, (flat to surface). Do not snap it off or remove in a 90° direction, (perpendicular to the surface). Take extra care in the thin pointed areas. **If the decal comes up while removing the paper premask**, there may be too much soap in the wetting solution or the temperature may be below 70°F. Re-squeegee the entire decal, then wait a few minutes to allow the adhesion of the decal to increase before removing premask.
9. **RE-SQUEEGEE:** Squeegeeing after premask removal may be necessary in certain areas. Work bubbles out to the nearest edge or use air release tool or pin and re-squeegee that area to ensure proper adhesion.
10. **INSPECTION:** Dry off vehicle and inspect for any remaining bubbles.
11. **POST APPLICATION:** Allow the vehicle to remain 70°F for at least fifteen minutes before taking outside in freezing conditions. Do not power wash decal area for 72 hours.

Front Fender-Front Door RT Decal



12. **FRONT FENDER-FRONT DOOR DECAL LINER REMOVAL:** Lay decal paper liner side up on flat, clean surface. Slowly remove paper liner in a 180° direction, keeping part as flat as possible. Avoid finger contact with decal adhesive surface. Spray exposed adhesive and the door surface with the wetting solution.
13. **FRONT FENDER-FRONT DOOR DECAL POSITIONING:** Hold the premask area of the part and position to body using paper premask locators. First locate the premask to the front edge of the front fender panel at the headlight. Then locate upper edge of premask to the character line and door cut as shown, (Fig.2). Do not pre-adhere decal to vehicle with hands. Keep decal as flat as possible. Do not allow the adhesive surface to become contaminated by touching clothing or floor, etc. **If the decal does not float into position**, add one to two more drops of liquid dish soap to the wetting solution and spray adhesive side again. Once decal is in position, spray the premask with the wetting solution. This will allow the squeegee to glide over the premask easier.
14. **FOLLOW STEPS 7 THRU 11.**
15. **REPEAT ON OTHER SIDE OF THE VEHICLE.**