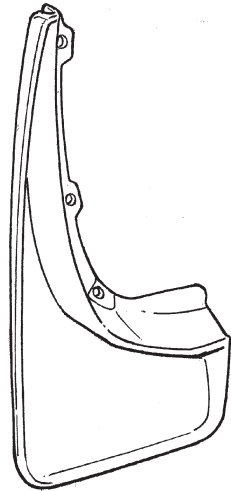




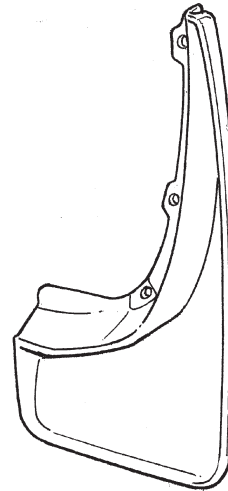
DODGE DART Rear Splashguards

Rear Right

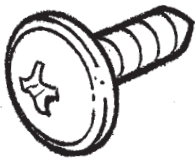


A

Rear Left



B



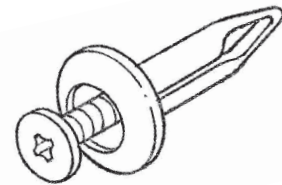
C

2x



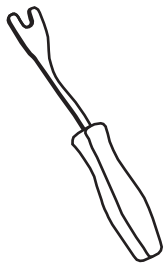
D

2x



E

2x



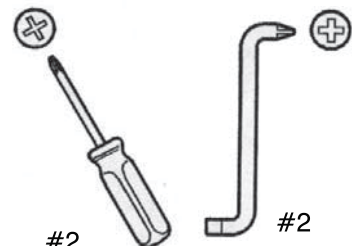
1/4" (6.0 mm)
5/16" (8.0 mm)



8mm Socket/Driver

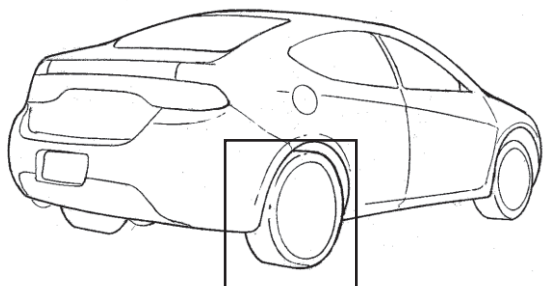


7/8"
22mm

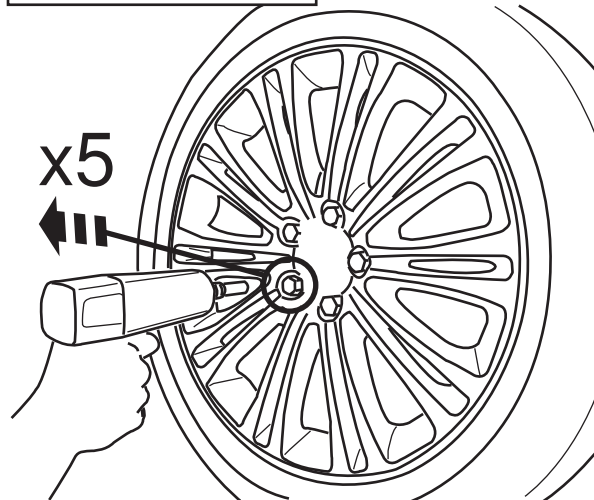
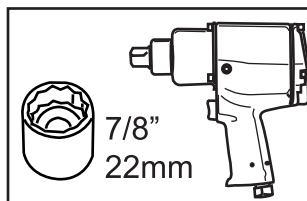


#2

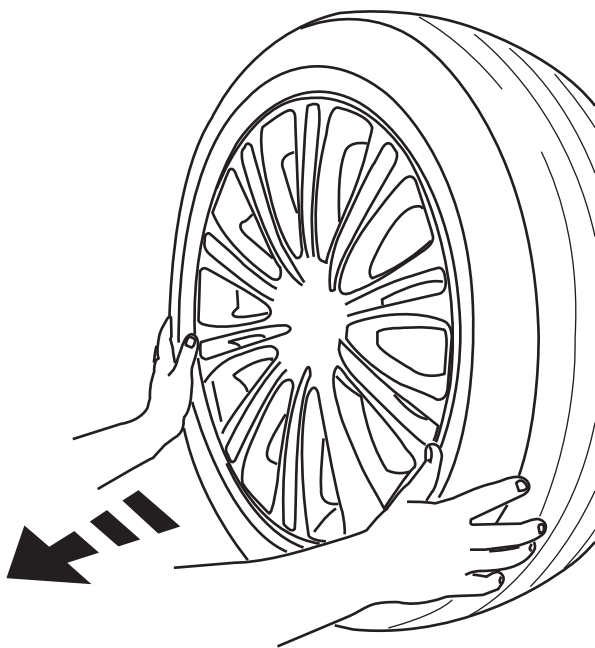
#2



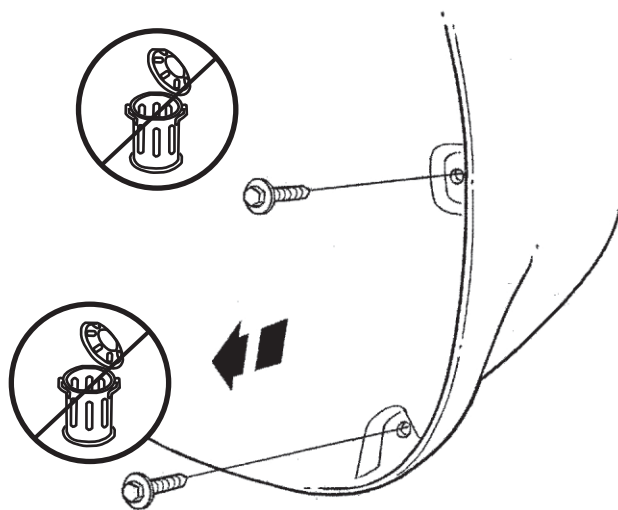
1



2



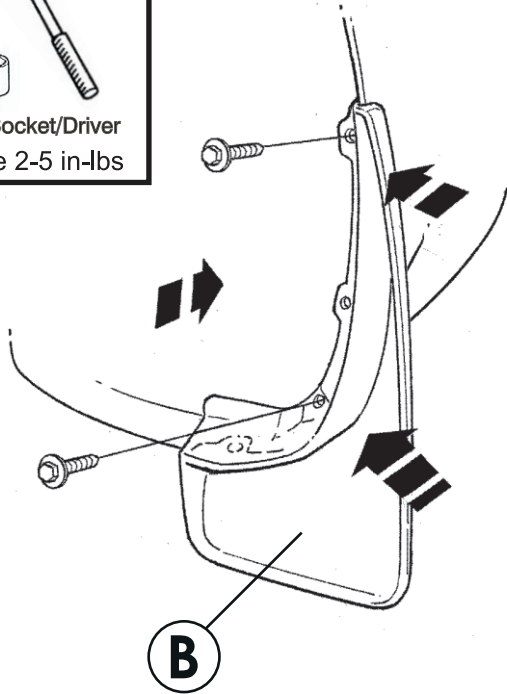
3



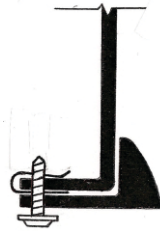
4



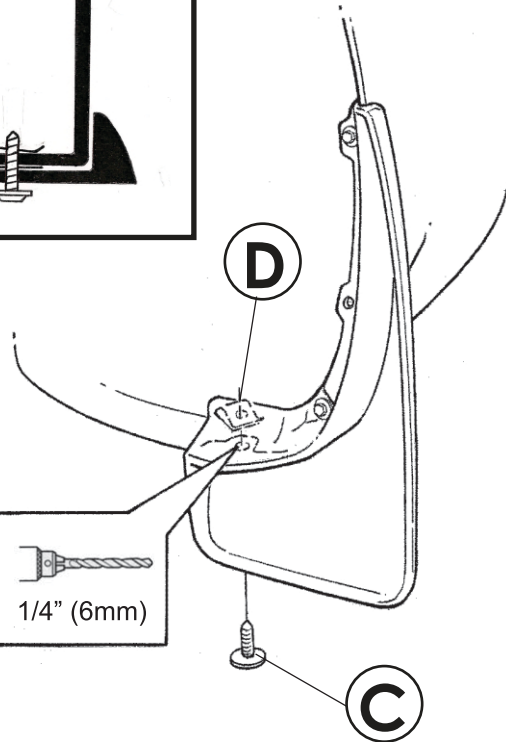
8mm Socket/Driver
Torque 2-5 in-lbs



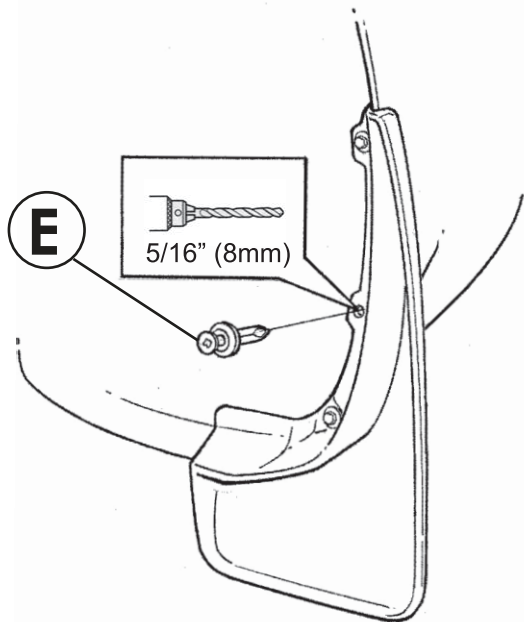
5



1/4" (6mm)

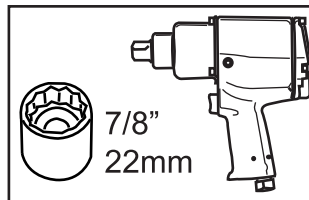


6



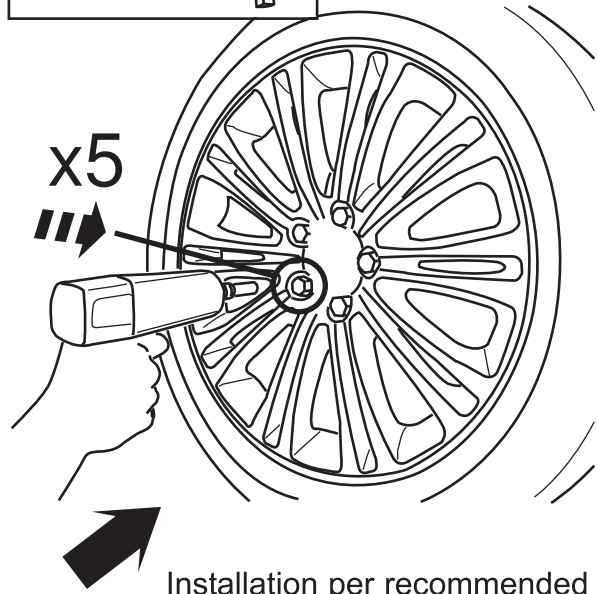
5/16" (8mm)

7



7/8"
22mm

x5



Installation per recommended
torque specification

8

GB NOTE: Repeat steps 1-8 on the other side

E NOTA: Repita estos pasos 1-8 en otro lado

F NOTE: Répétez les étapes 1-8 pour l'autre côté

G ANMERKUNG: Wiederhole Schritte 1-8 auf der piher Seite

I NOTA: Ripetere i passaggi da 1 a 8 su lato

9