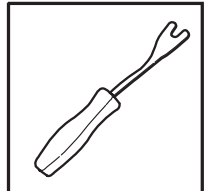
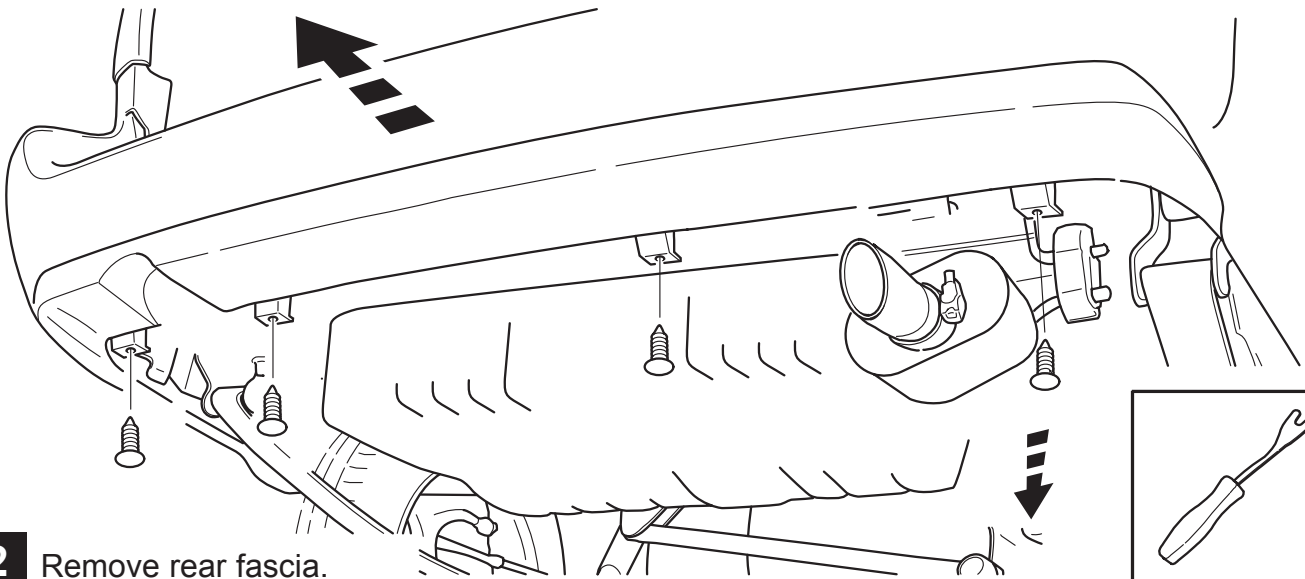
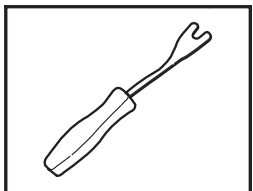
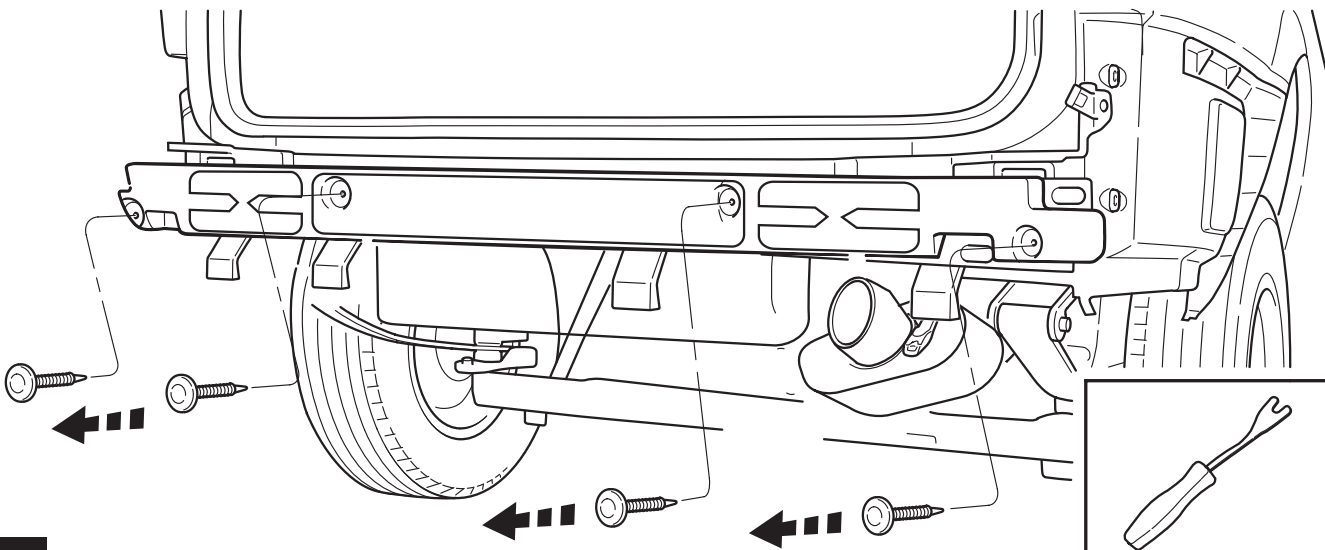


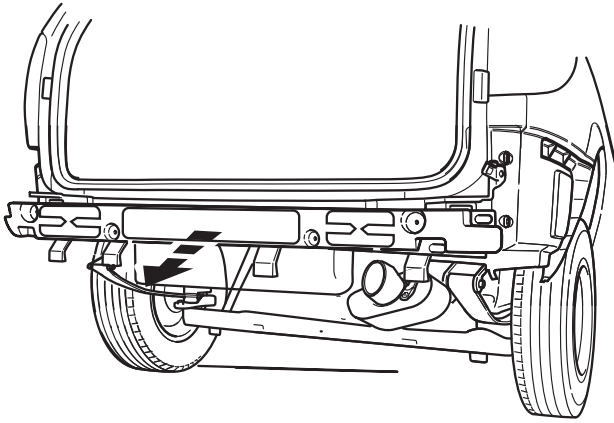
1



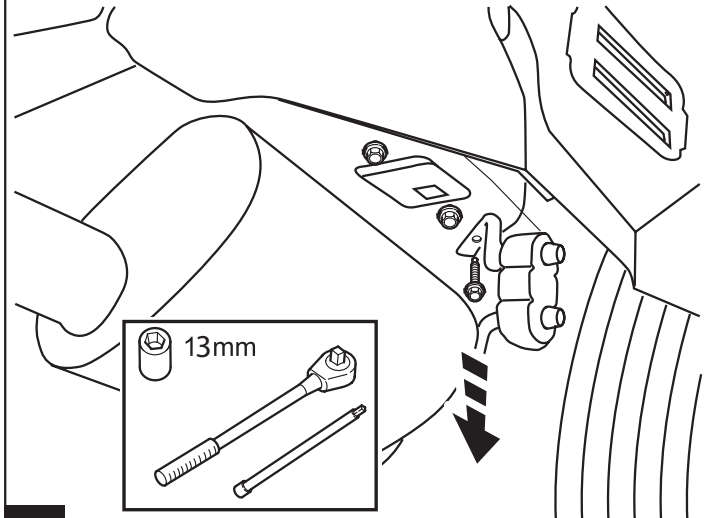
2 Remove rear fascia.



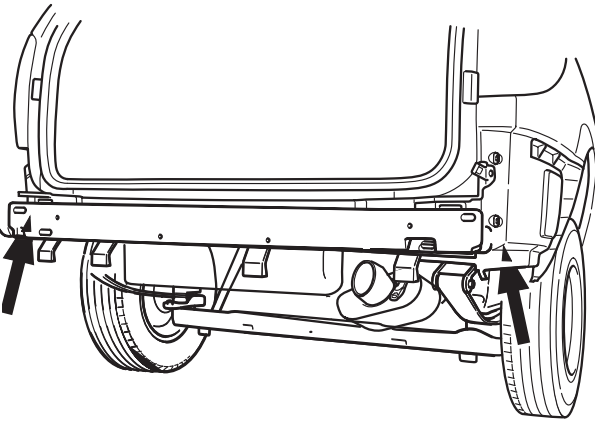
3 Remove (4) plastic retainers.



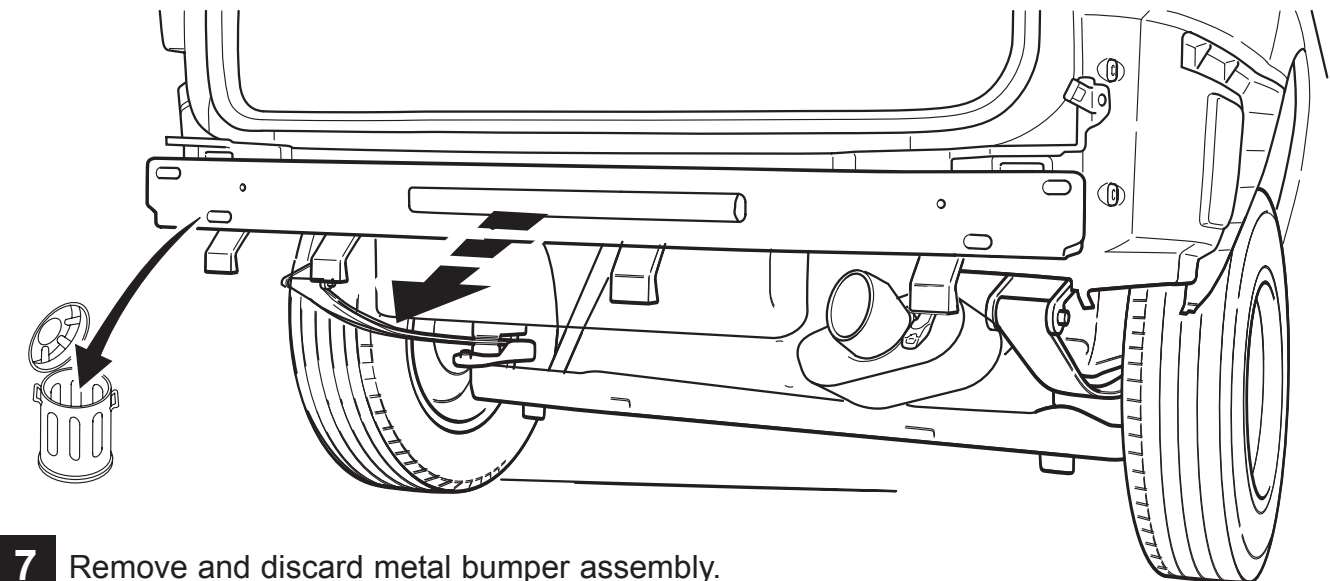
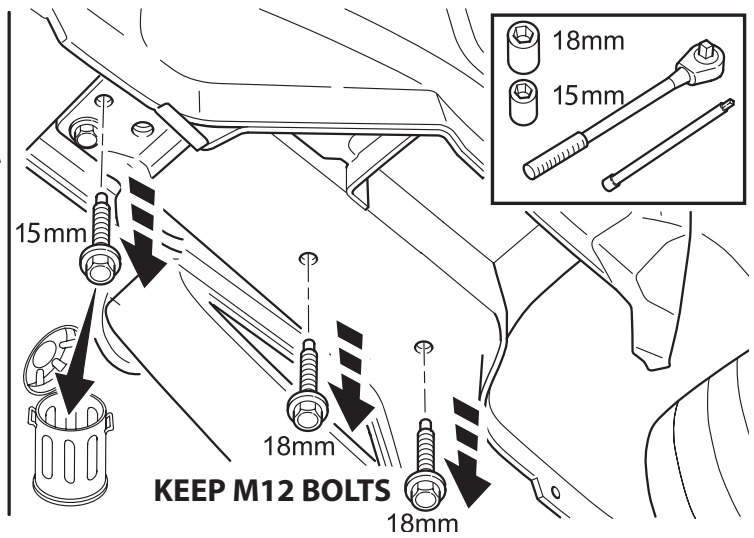
**4** Remove plastic fascia support.



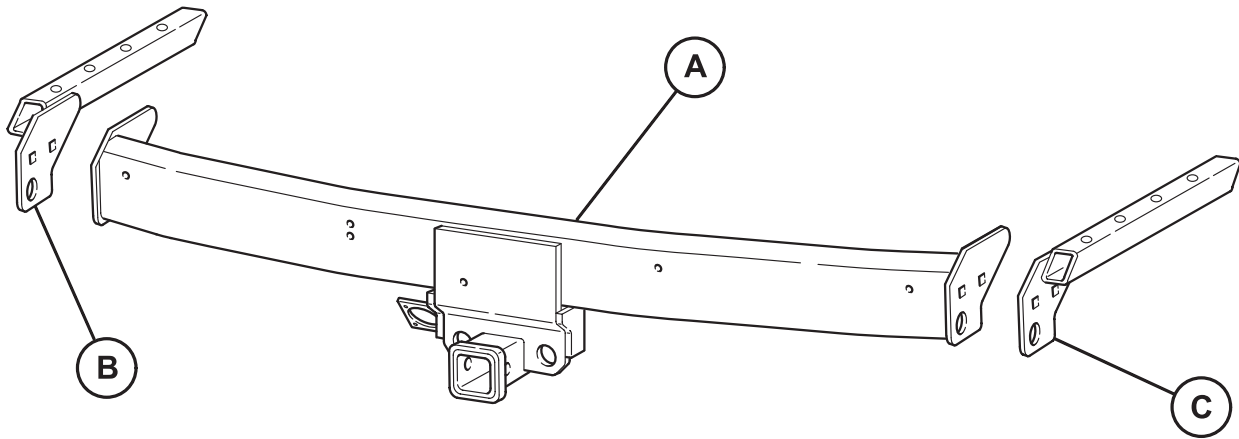
**5** Remove bolt holding muffler hanger



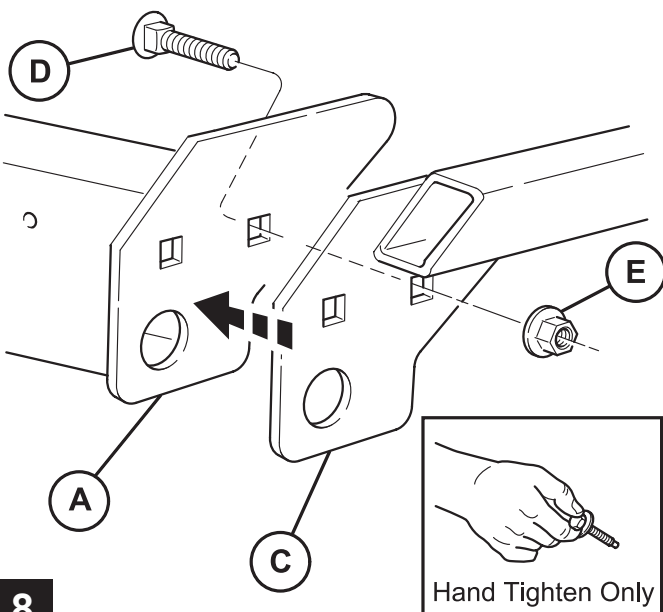
**6** Remove (6) bolts attaching metal bumper to frame rails. **Keep M12 bolts**, discard M10 bolts.



**7** Remove and discard metal bumper assembly.

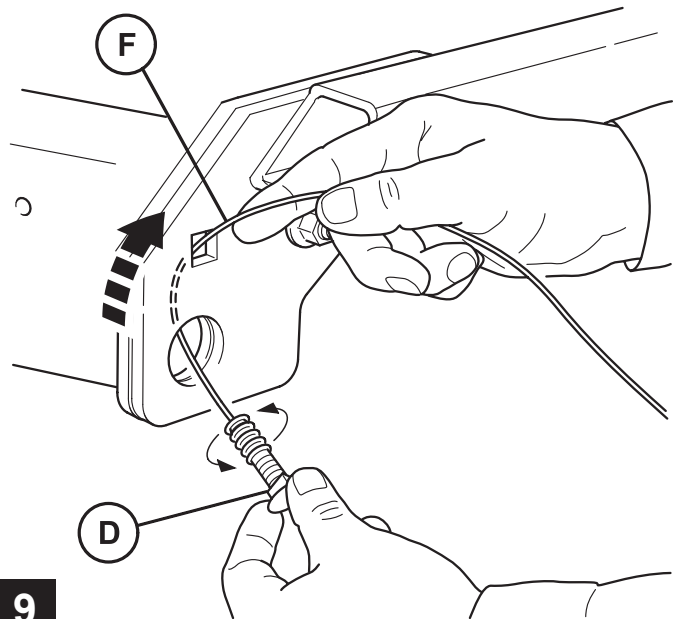


Assemble left and right rail extensions to trailer hitch.

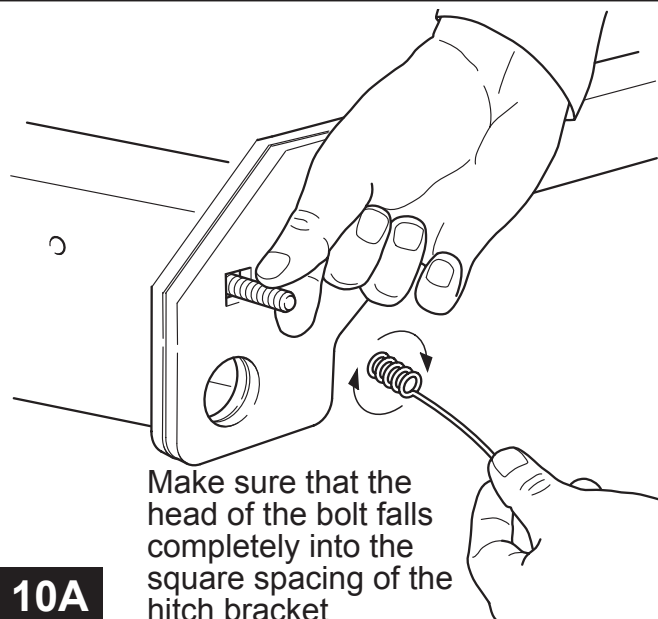


8

Hand Tighten Only

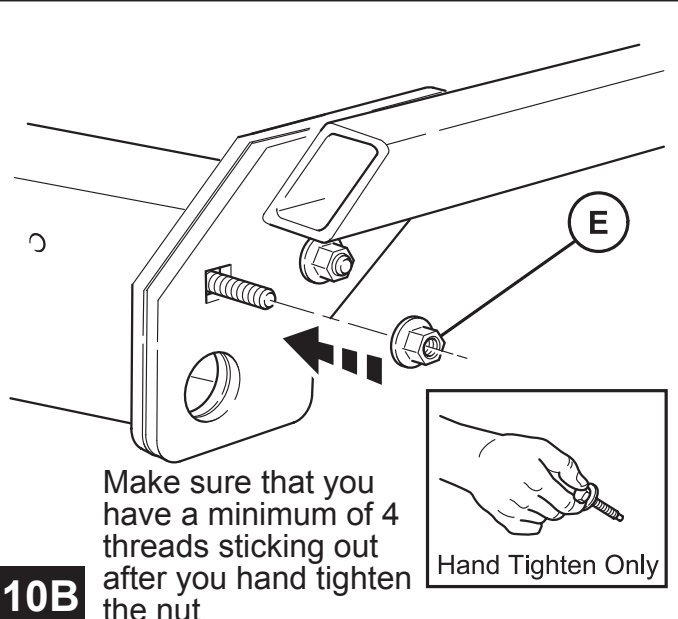


9



10A

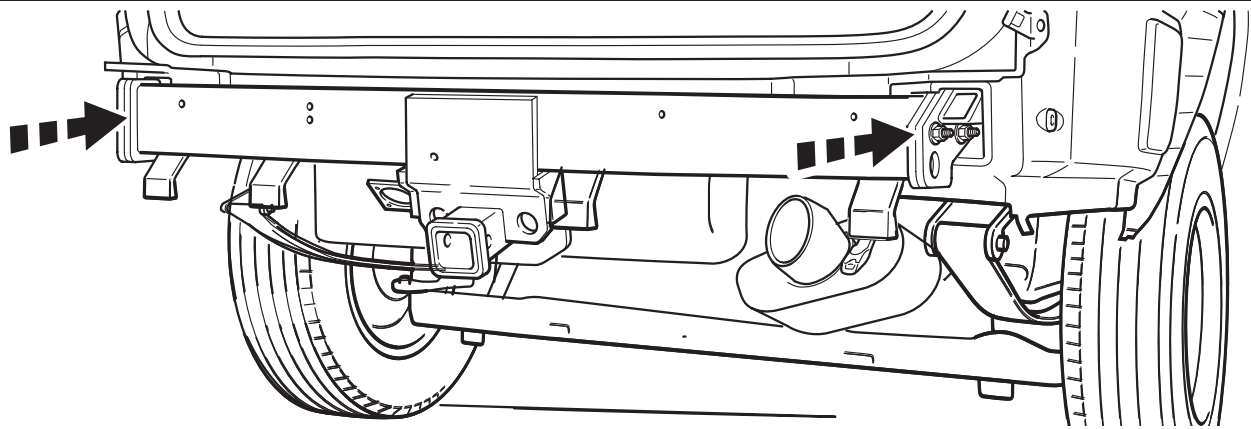
Make sure that the head of the bolt falls completely into the square spacing of the hitch bracket



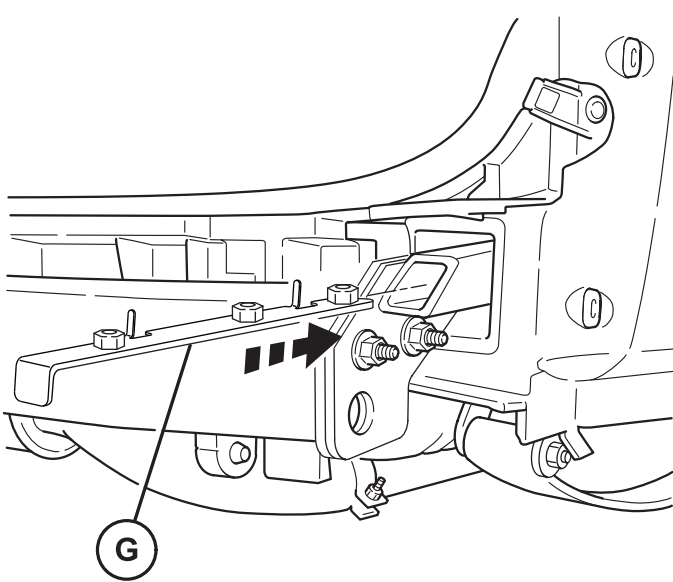
10B

Make sure that you have a minimum of 4 threads sticking out after you hand tighten the nut

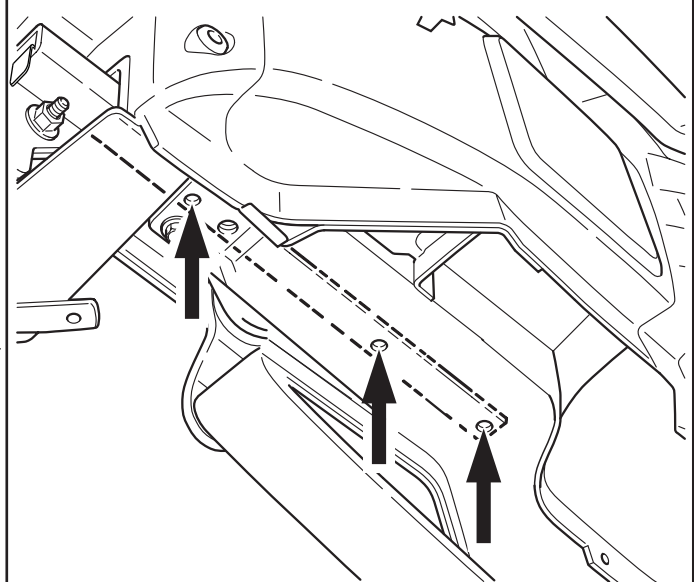
Hand Tighten Only



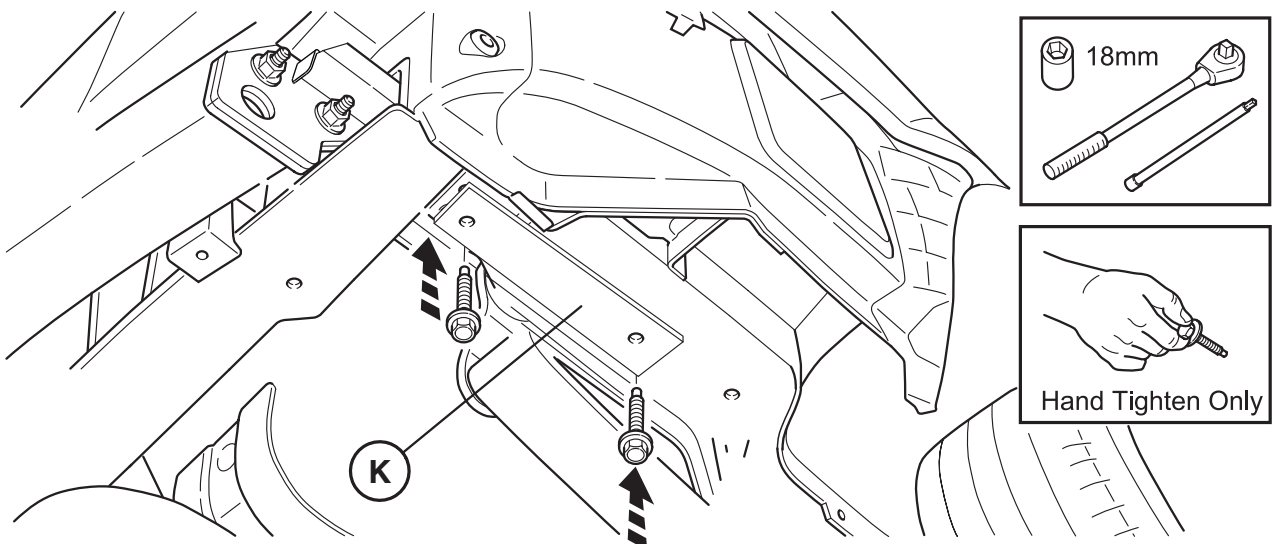
**11** Raise hitch assembly up to the vehicle. Insert left and right rail extensions into frame rails and push in the hitch assembly.



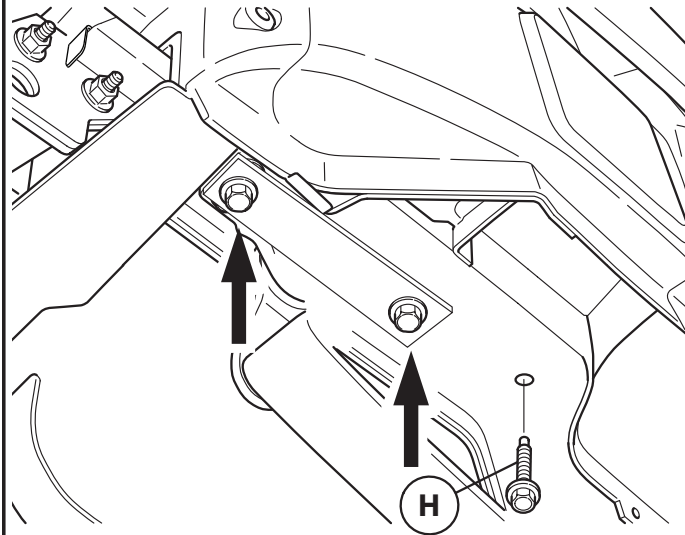
**12** Insert handle nuts into rail extensions.



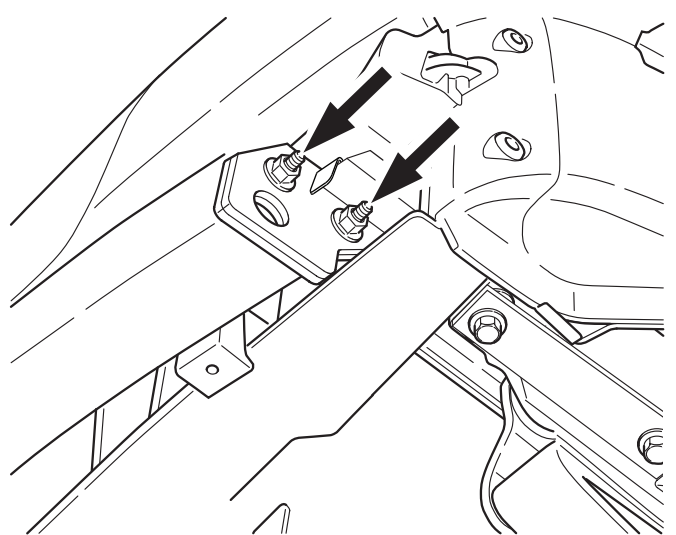
**13** Align holes in rail extensions to those in the frame rails and handle nuts.



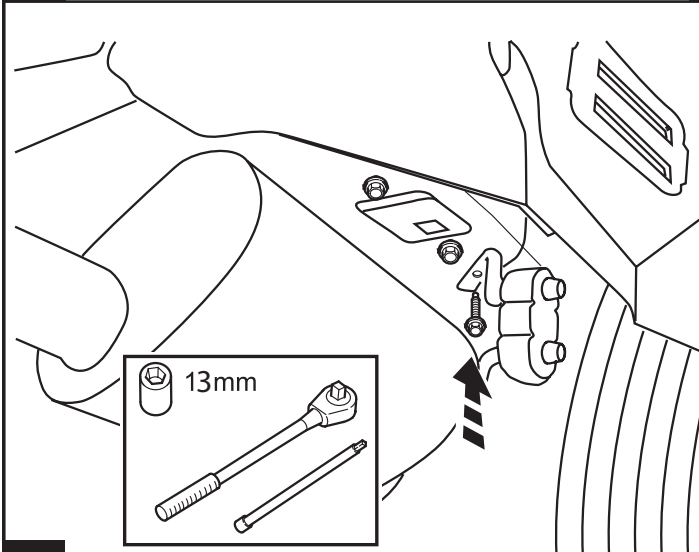
**14** Lift up on hitch crossbar to help align holes, install the mounting plate **re-using M12 bolts from step 6**.



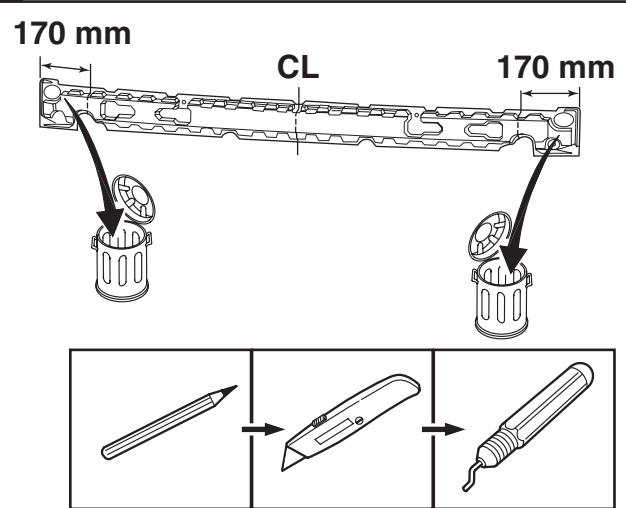
**15** Tighten bolts to 75 ft.-lbs. (101 N-m).



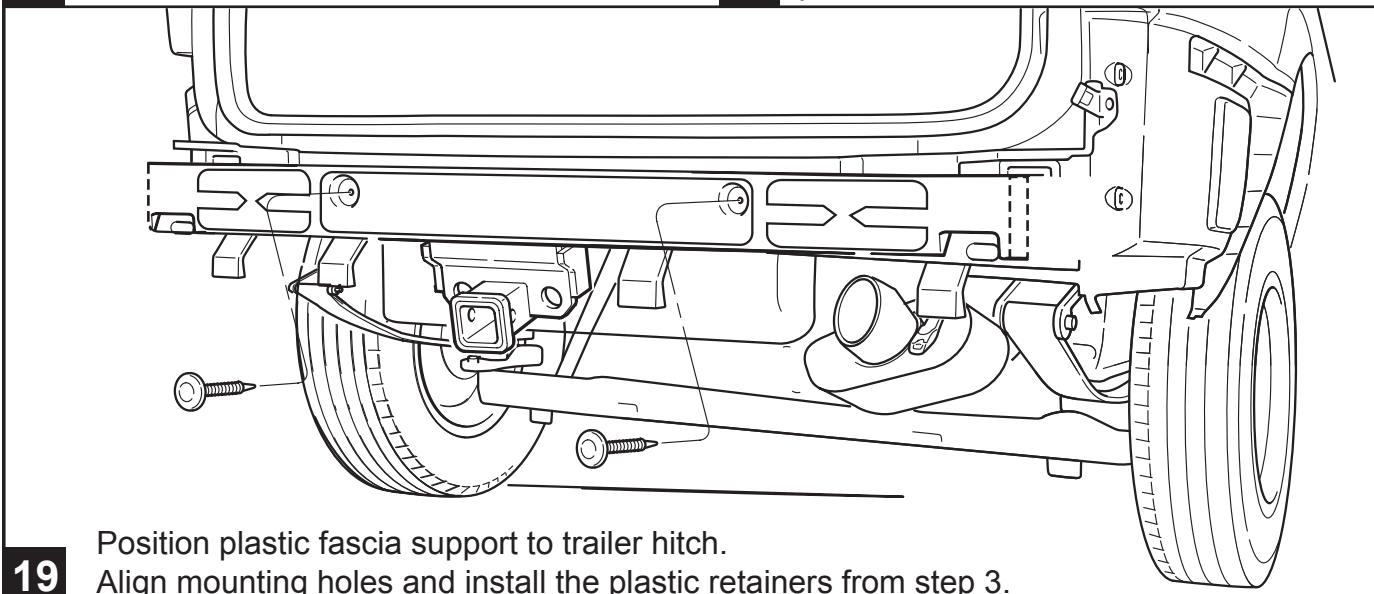
**16** Tighten nuts to 75 ft.-lbs. (101 N-m).



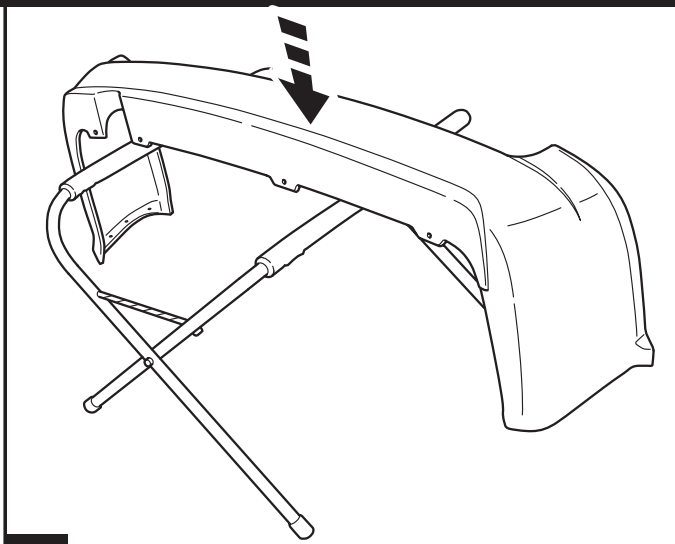
**17** Re-install bolt holding muffer hanger



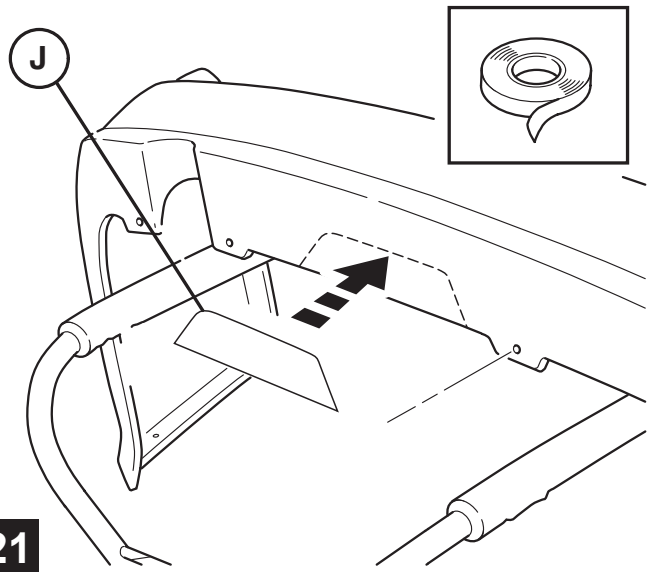
**18** Cut off 170 mm off of each end of plastic fascia



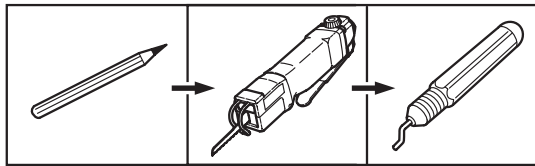
**19** Position plastic fascia support to trailer hitch. Align mounting holes and install the plastic retainers from step 3.



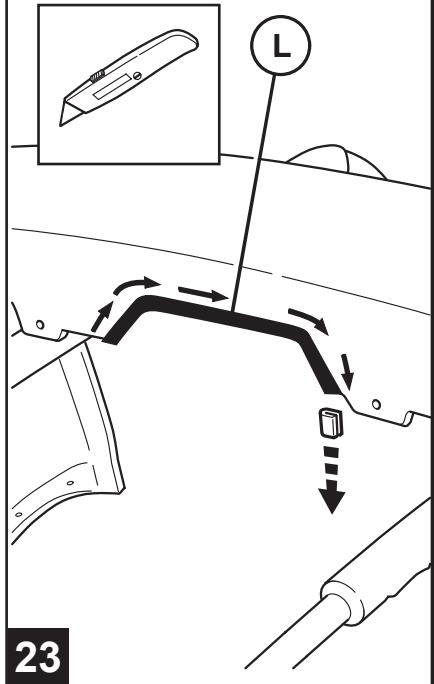
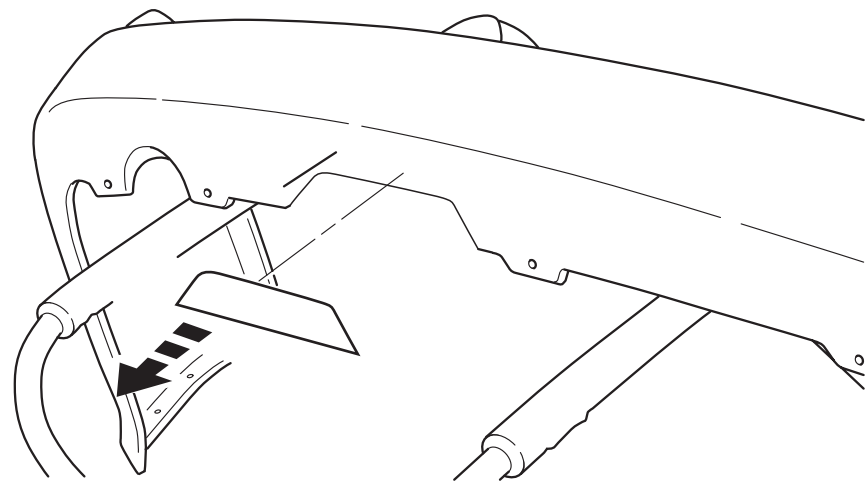
**20** Place fascia on a protected surface.



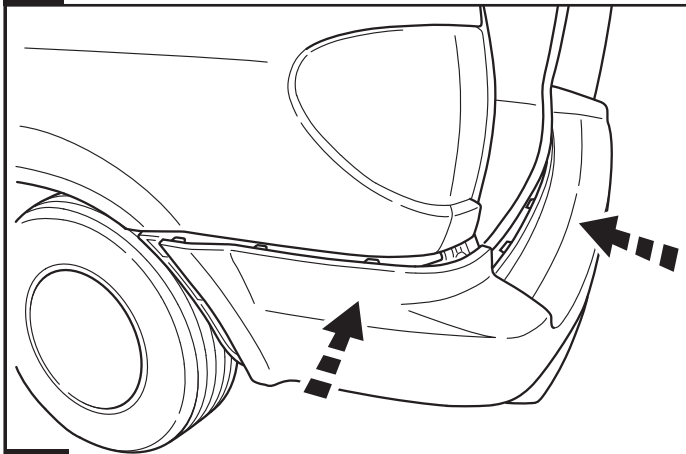
**21**



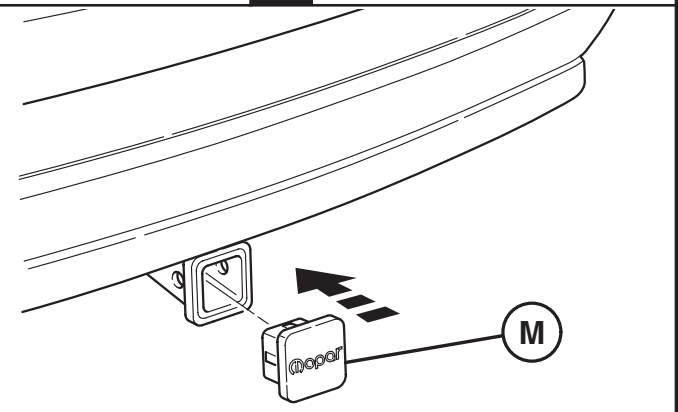
**22**



**23**



**24** Re-install rear fascia (See Step 1).



**25** Place receiver cover onto hitch tube when hitch is not in use.