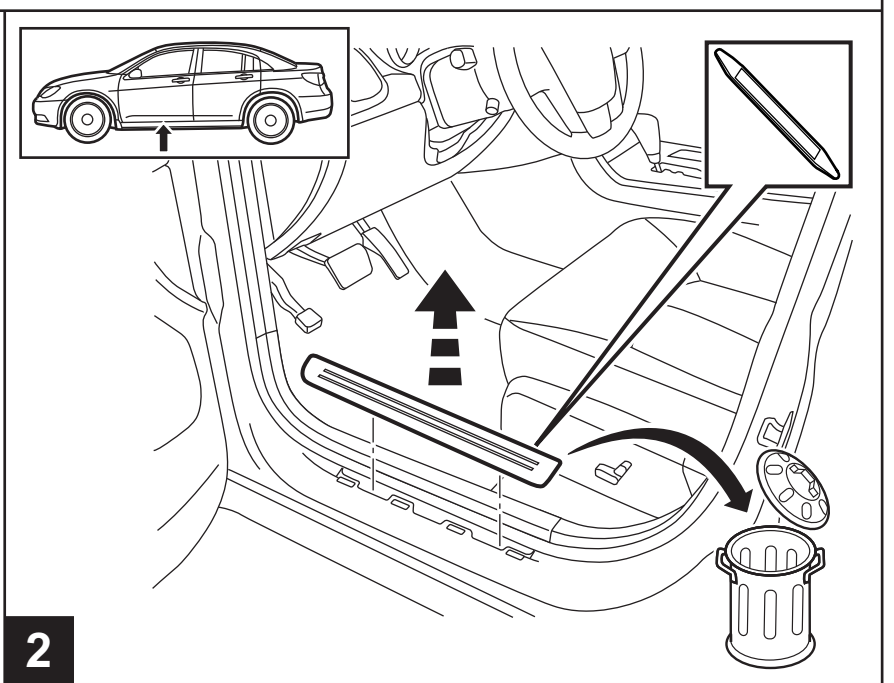
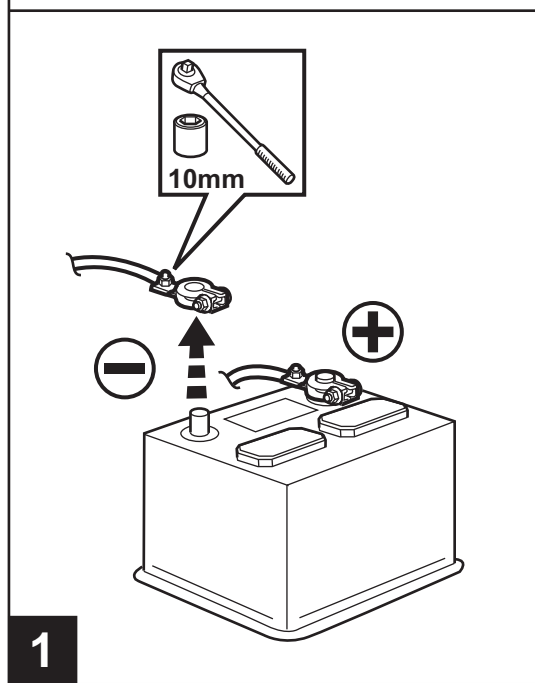
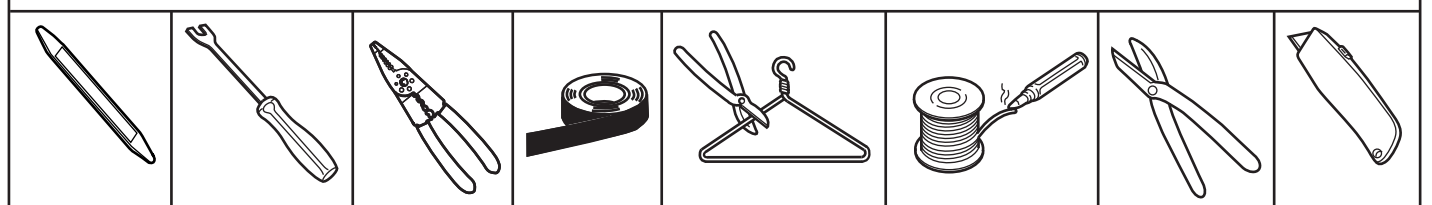
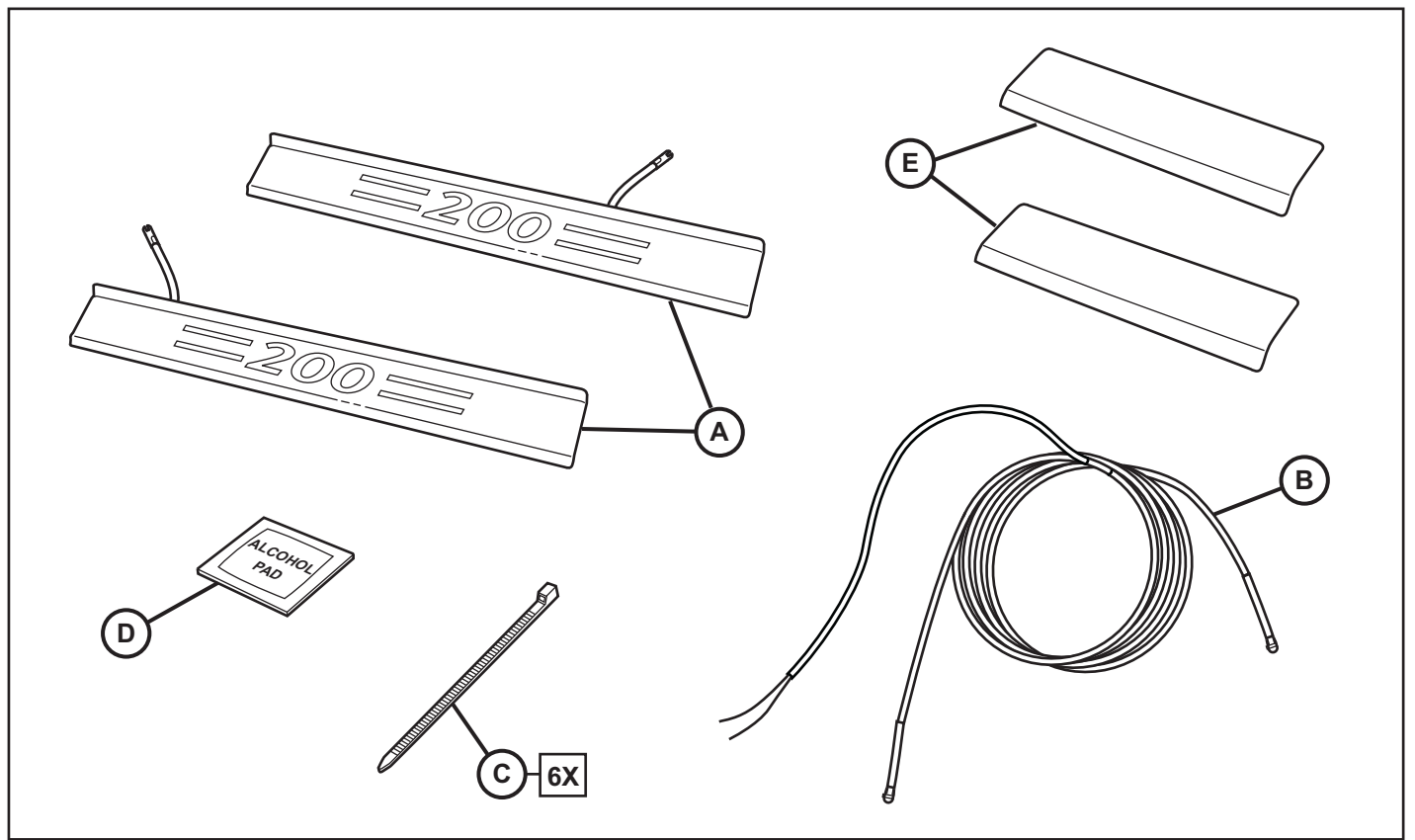
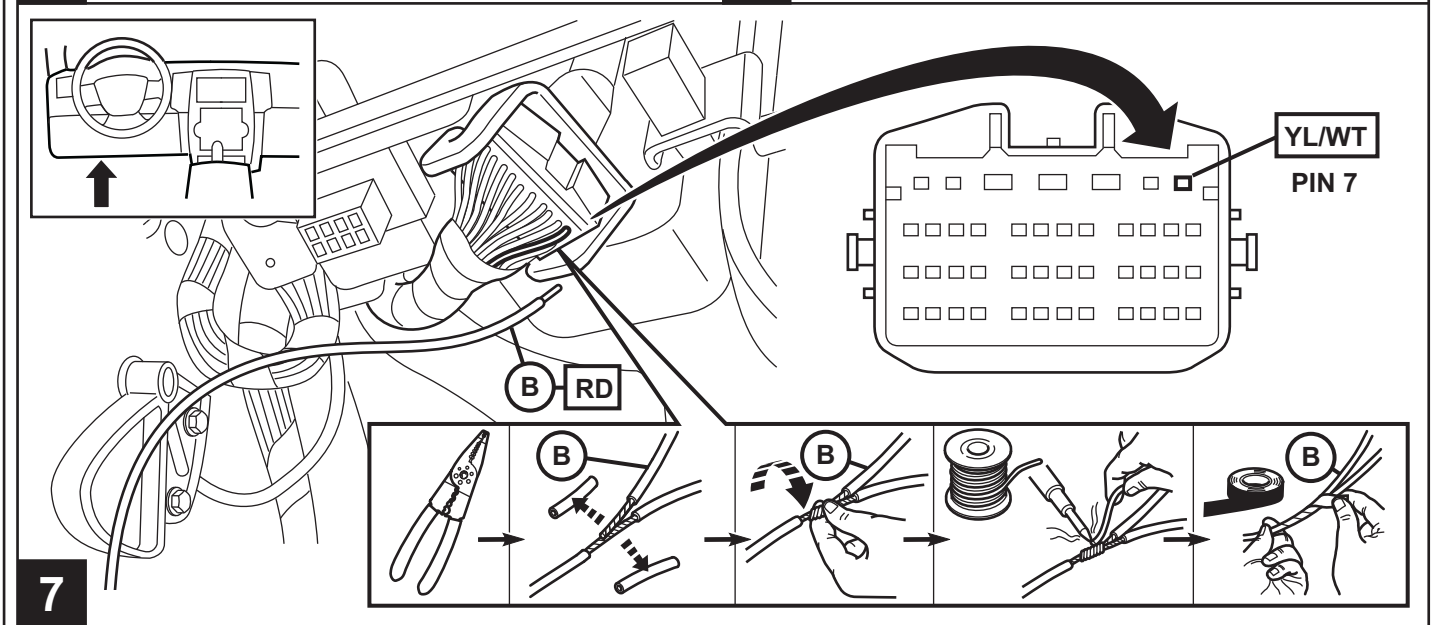
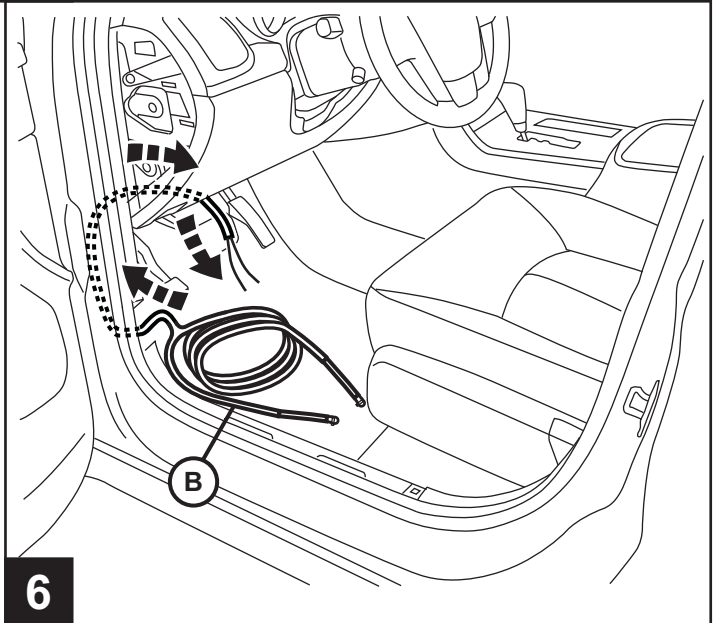
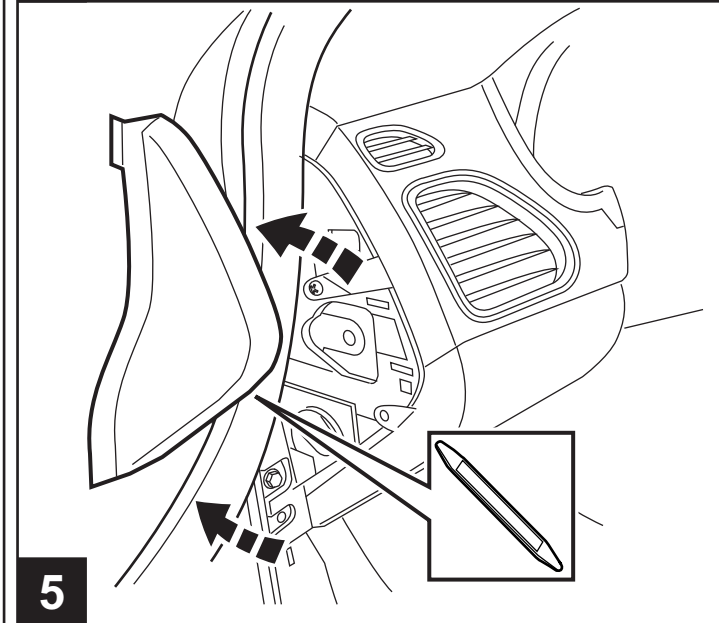
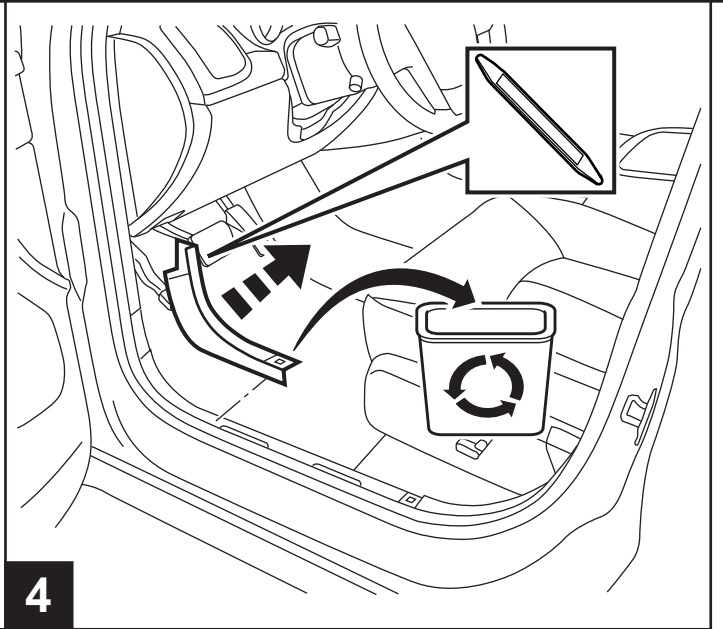
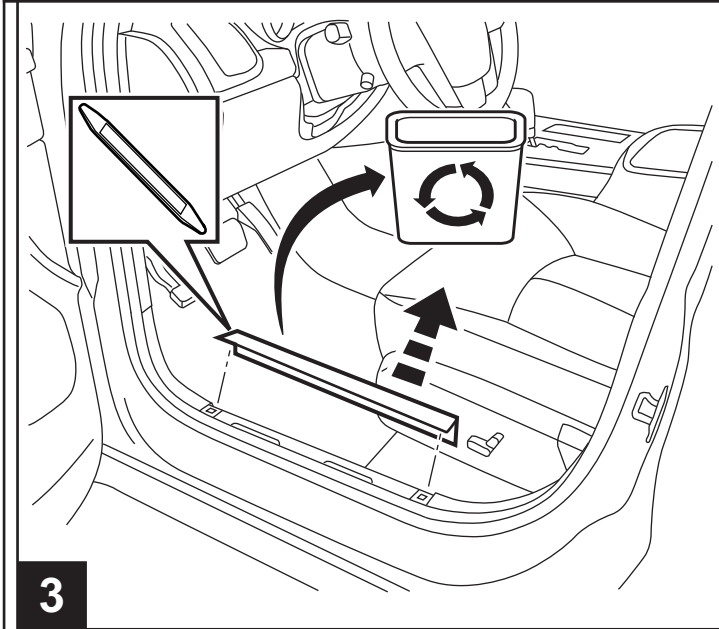


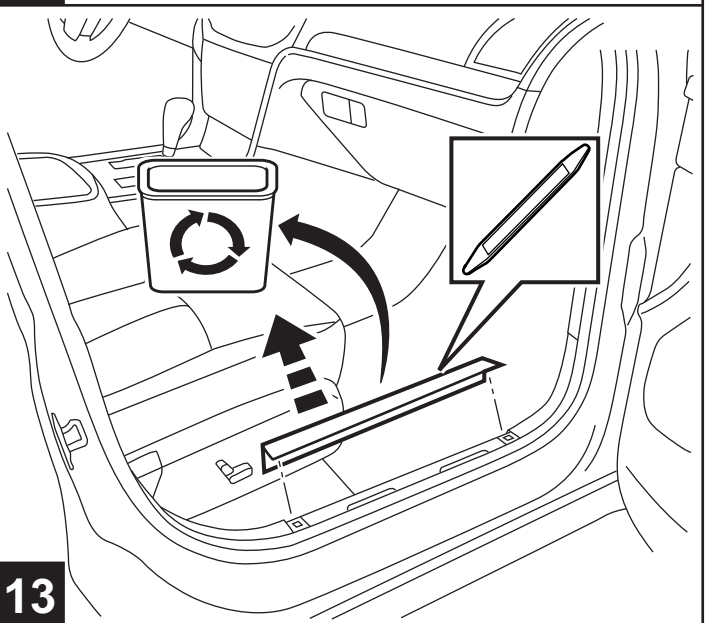
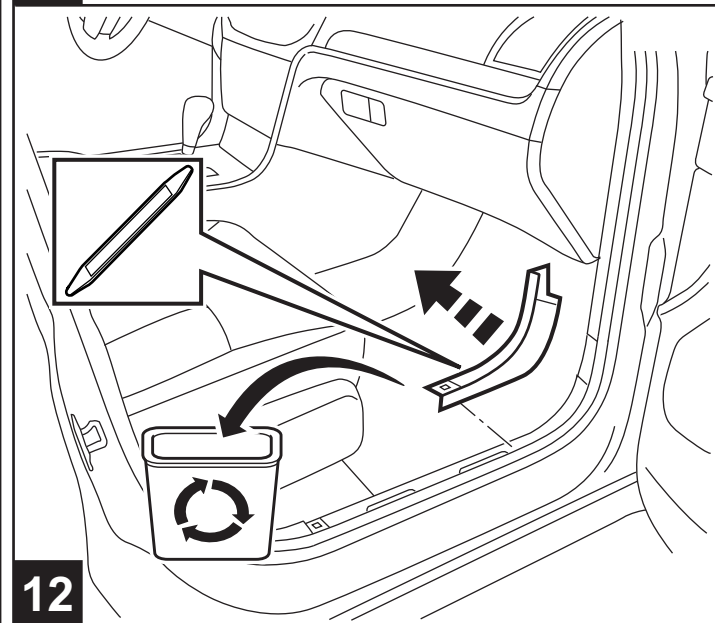
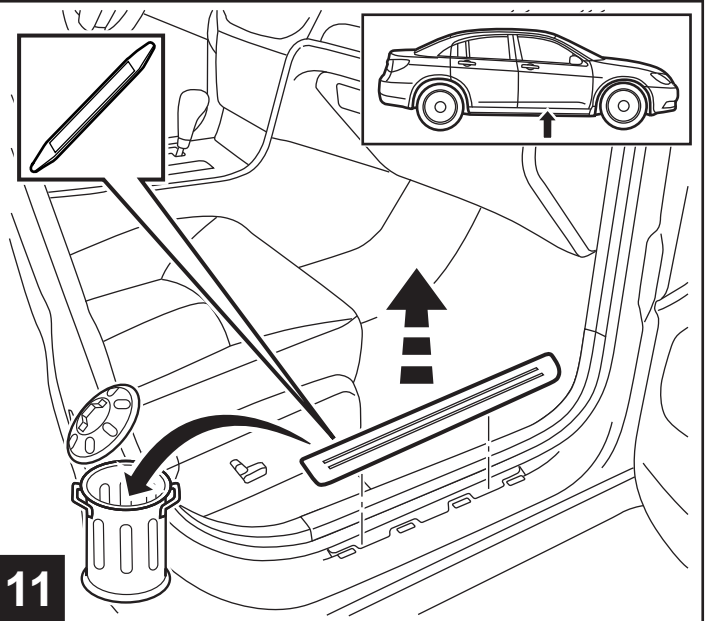
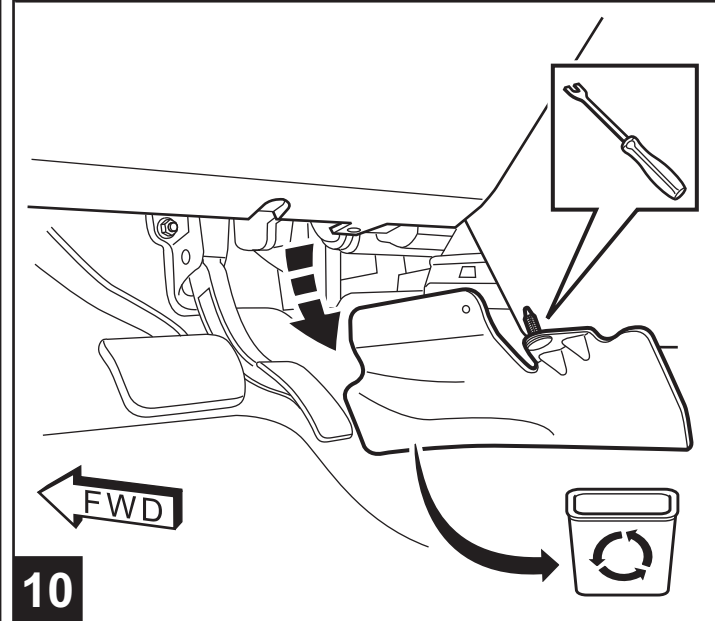
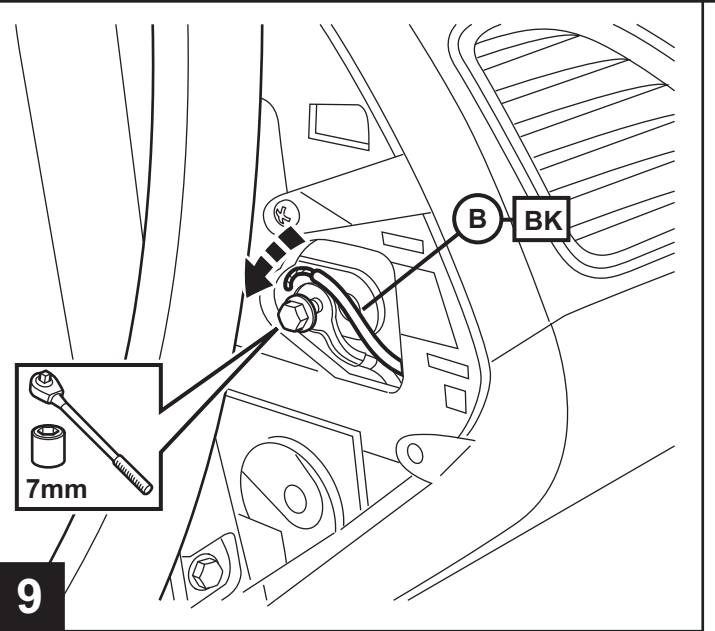
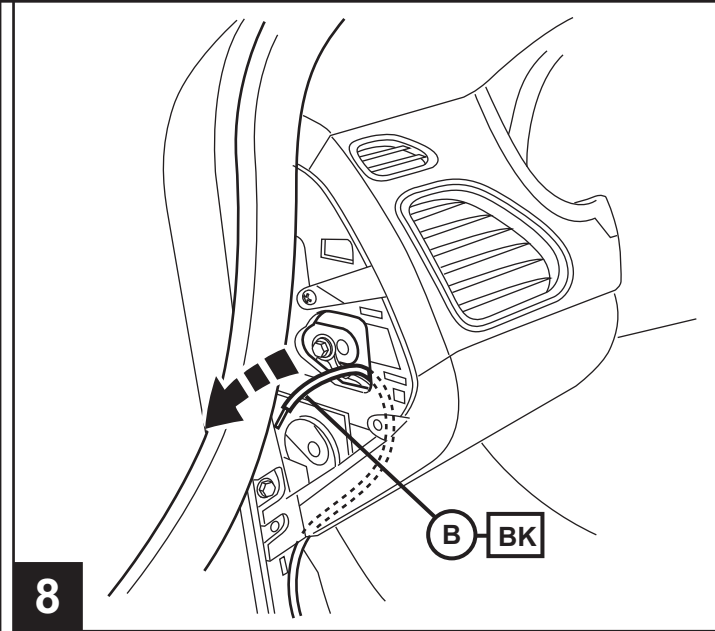


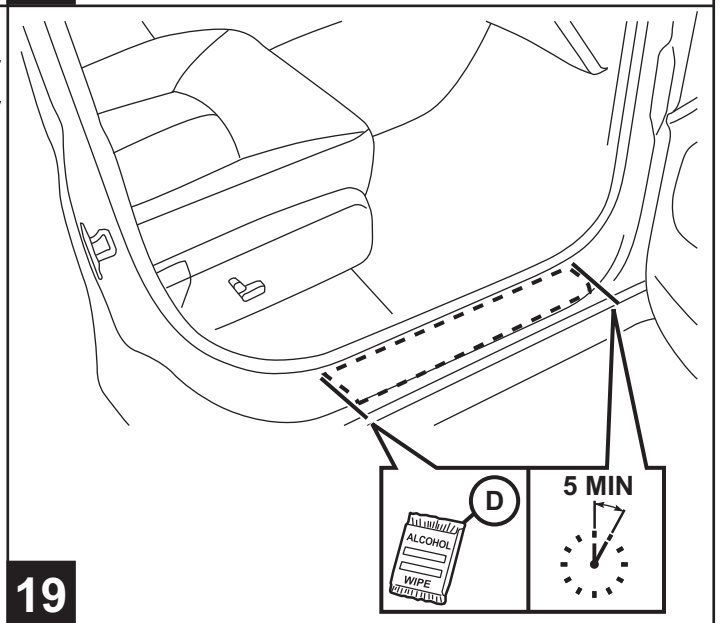
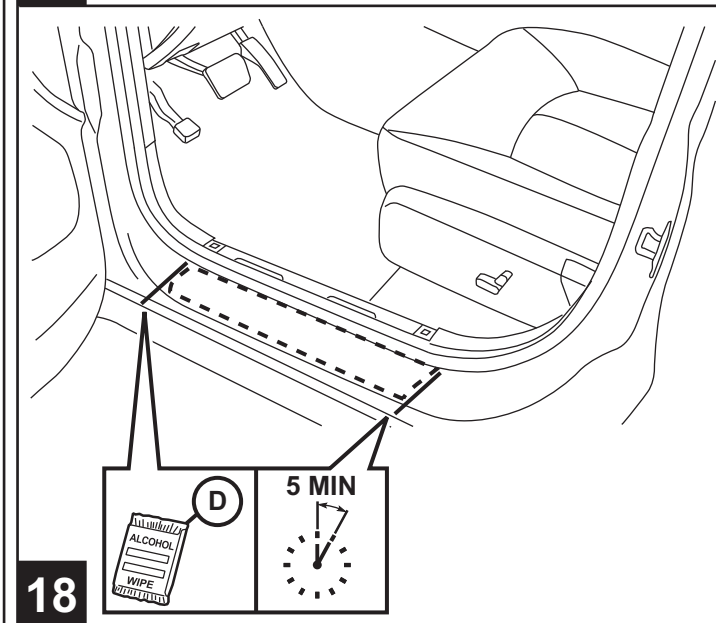
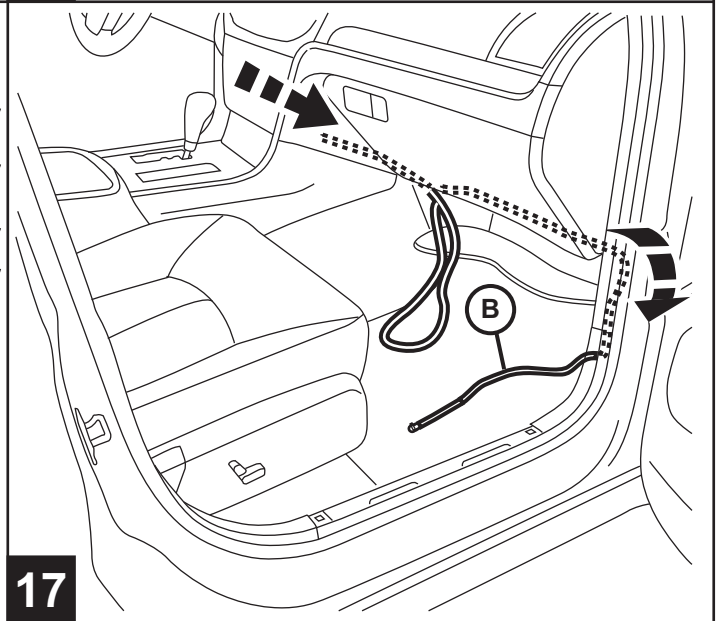
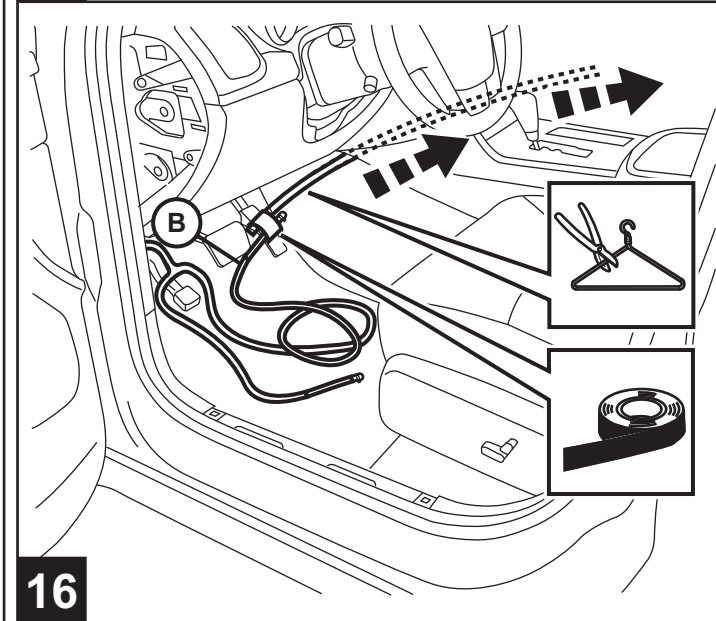
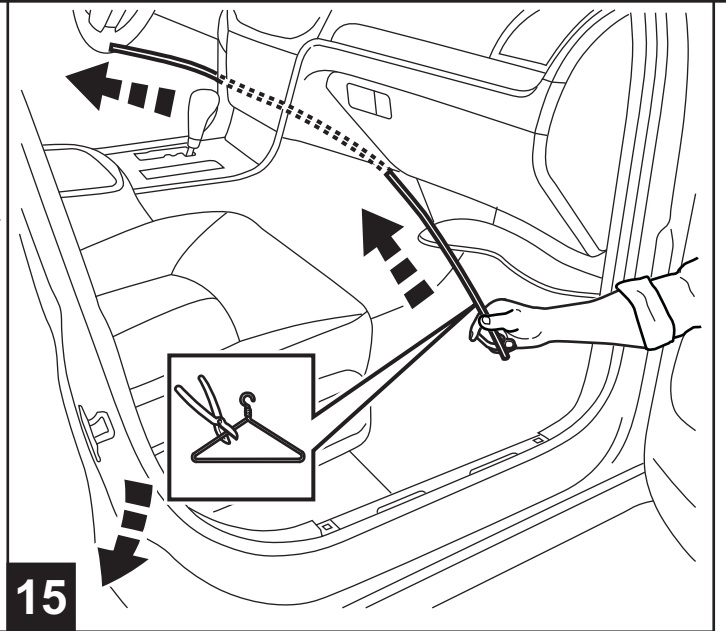
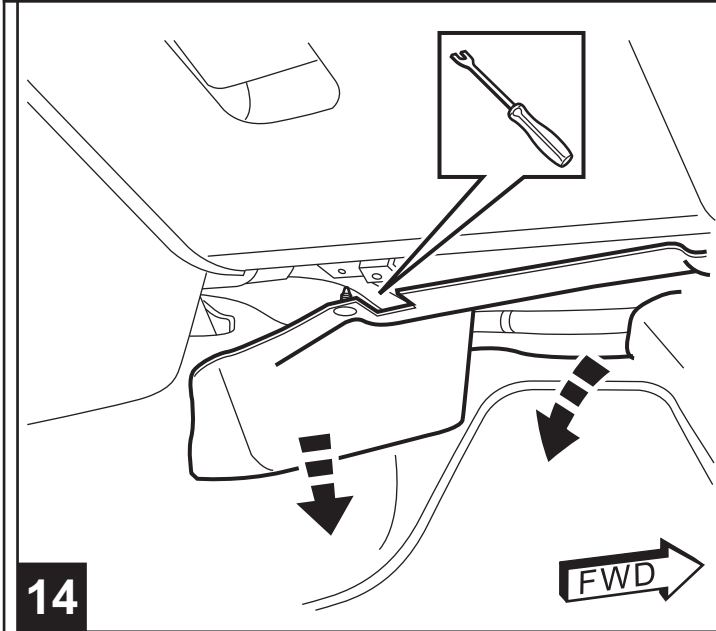
CHRYSLER 200

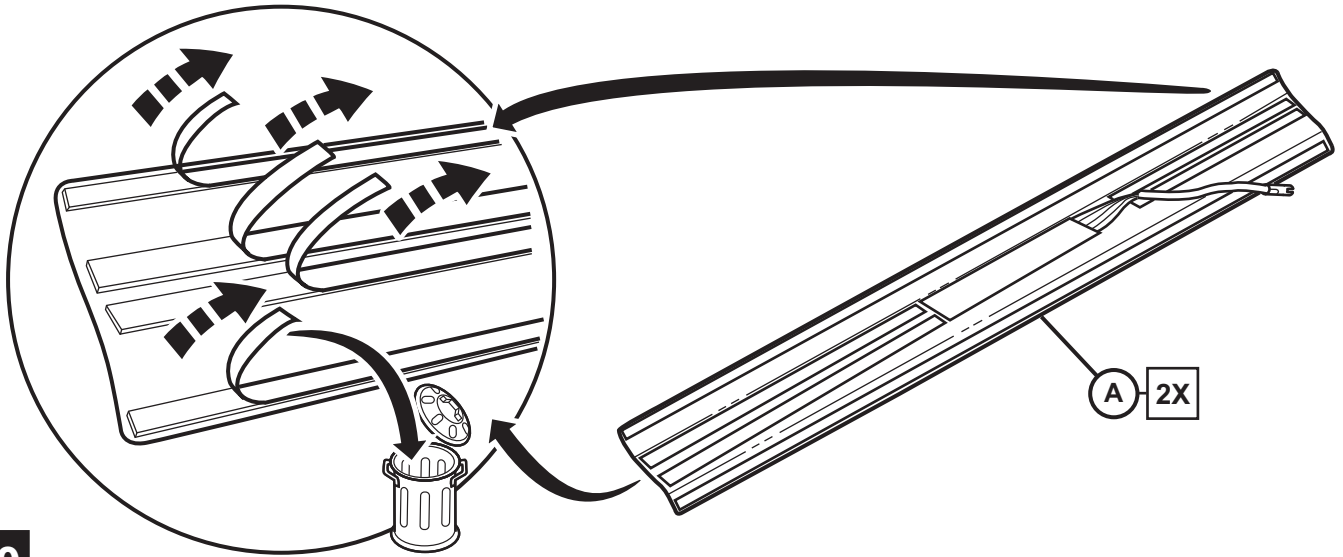
Illuminated Sill Plates



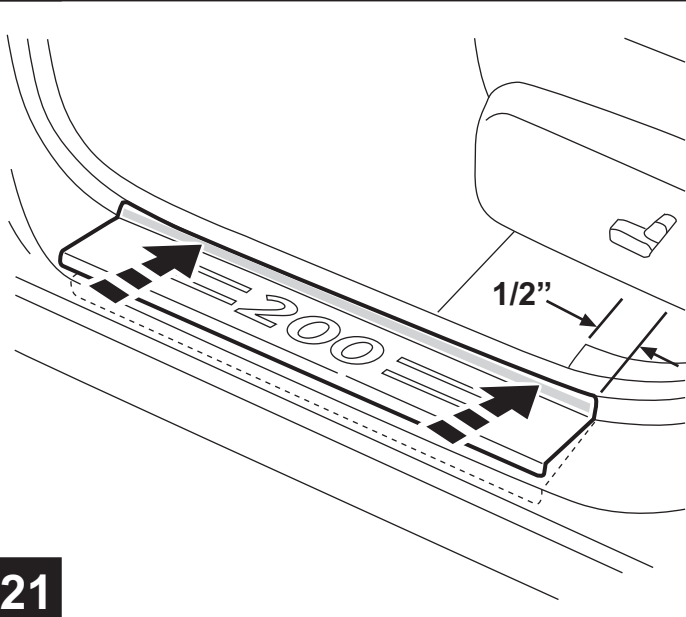




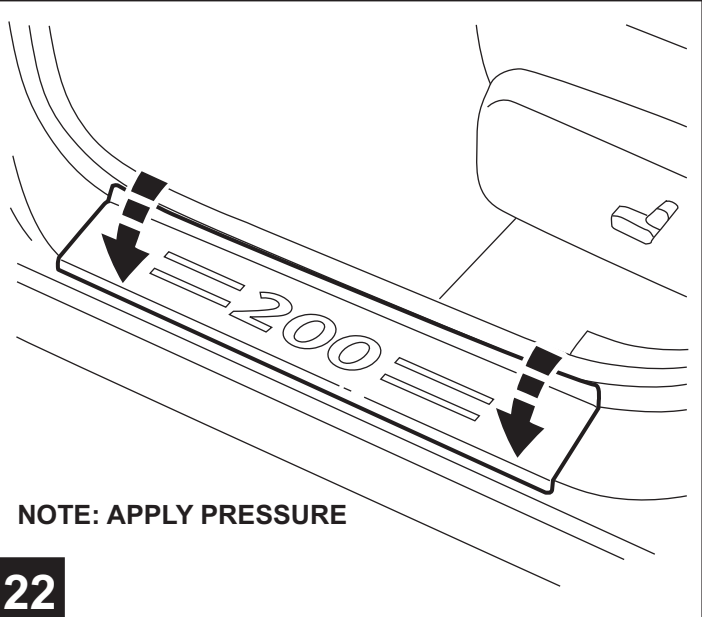




20

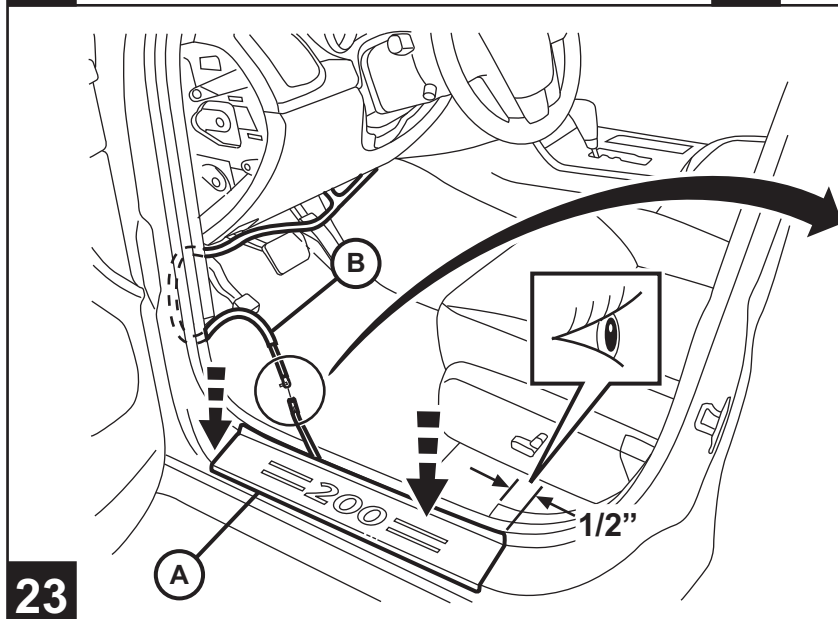


21

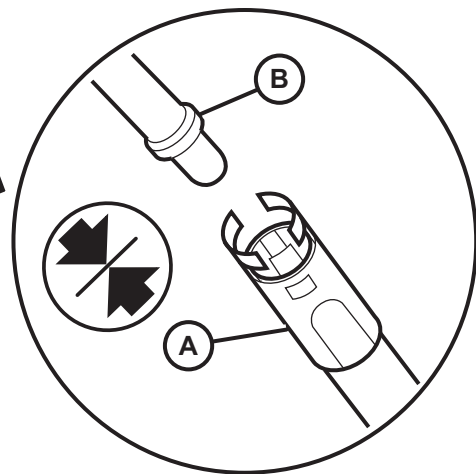


NOTE: APPLY PRESSURE

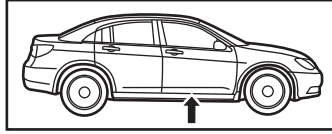
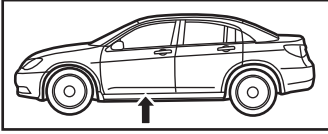
22



23



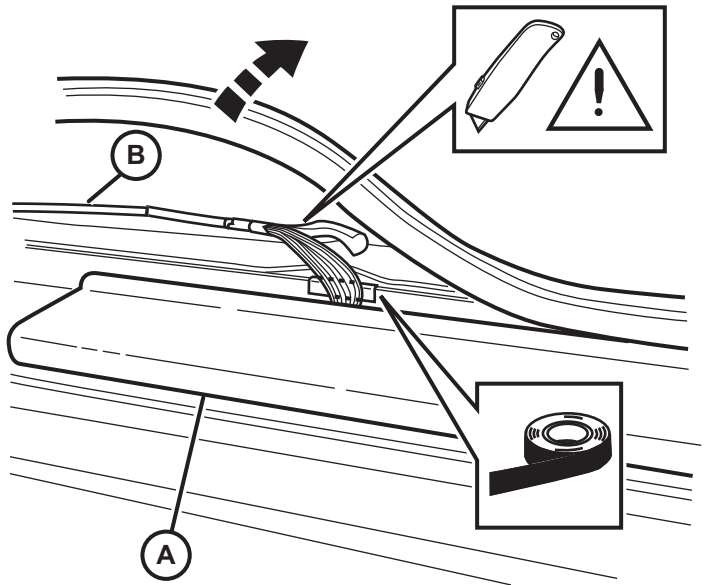
NOTE: REPEAT STEPS 20-23
ON PASSENGER SIDE.



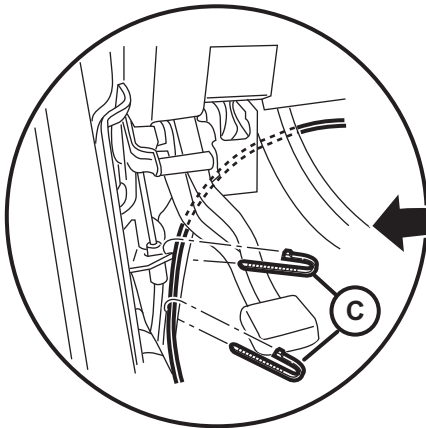
NOTE: PLACE 2 LAYERS OF TAPE ON METAL FLANGE TO REDUCE SHARP EDGES.

FAN OUT FIBER OPTICS OVER TAPED AREA AND REPLACE WEATHERSTRIP.

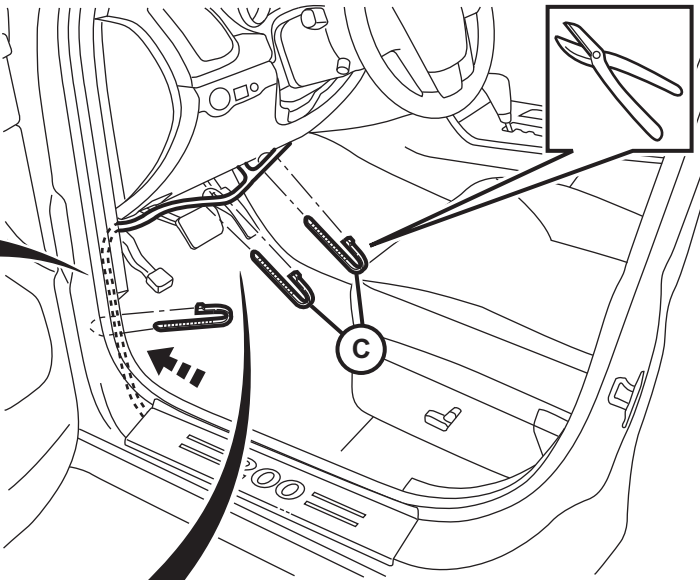
DRIVER SIDE SHOWN.
REPEAT ON PASSENGER SIDE.



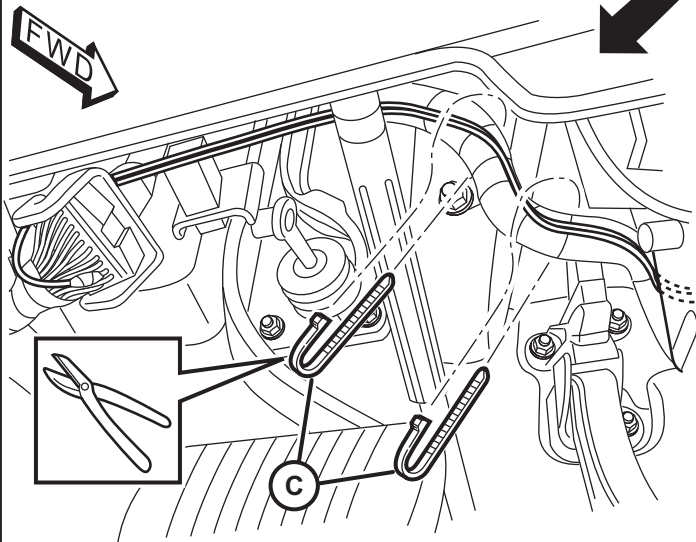
24



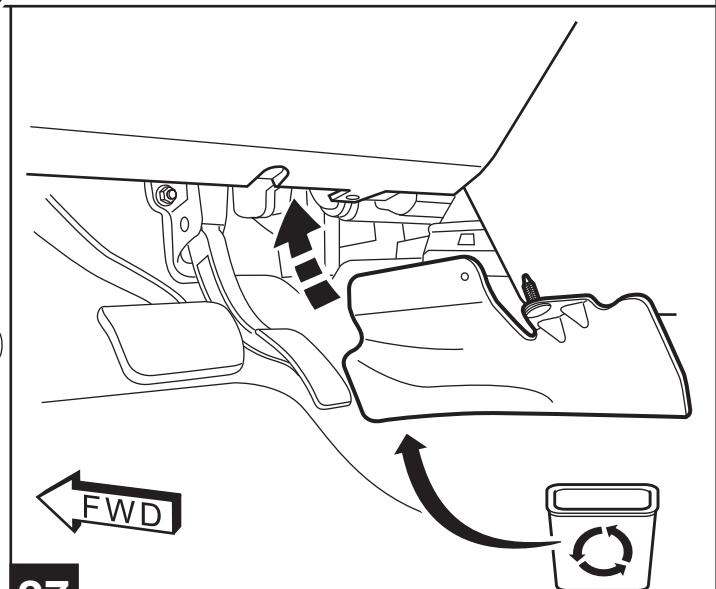
NOTE: SECURE HARNESS BEHIND BRAKE PEDAL



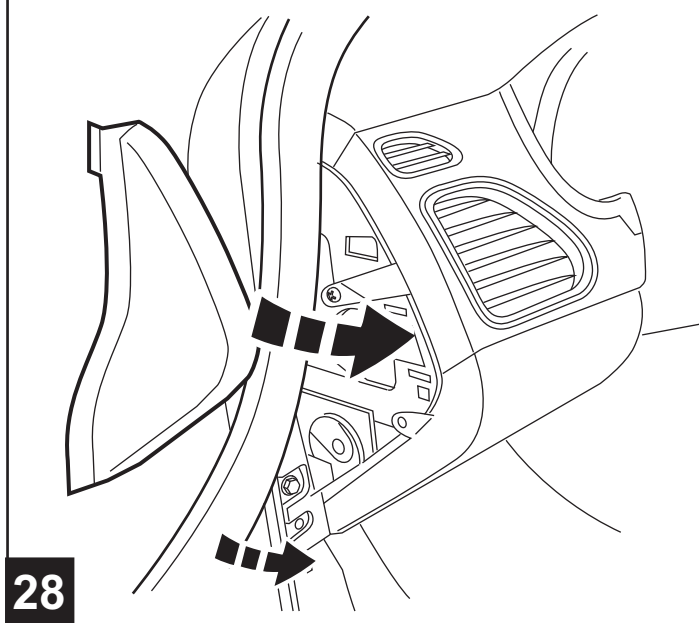
25



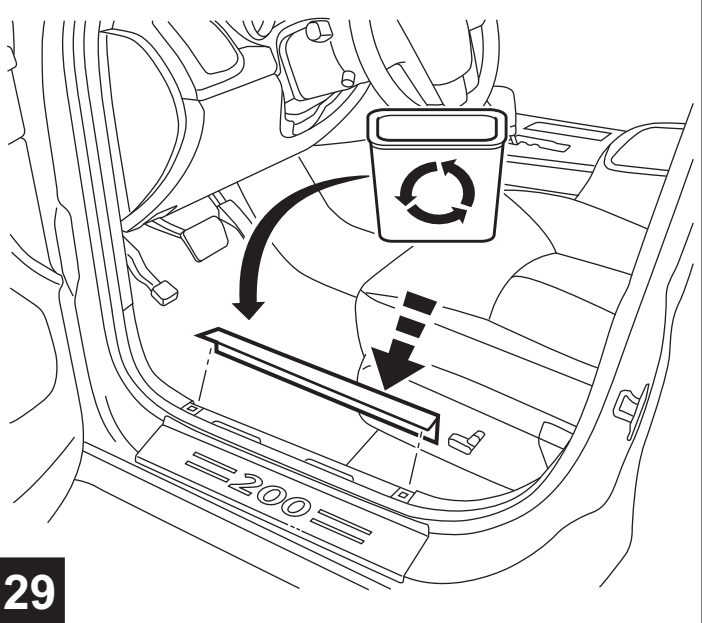
26



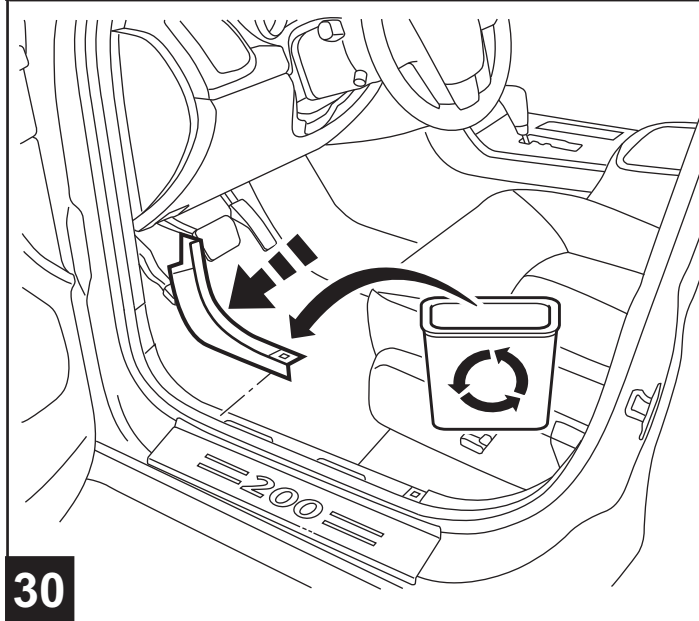
27



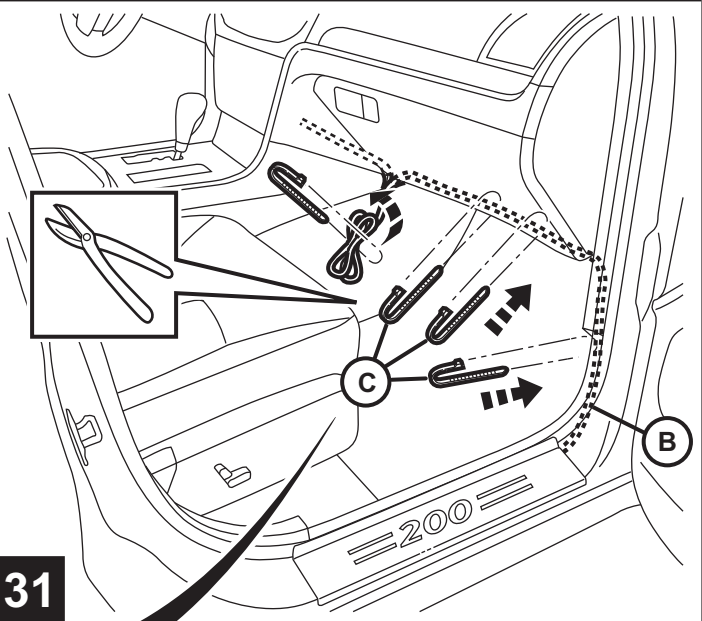
28



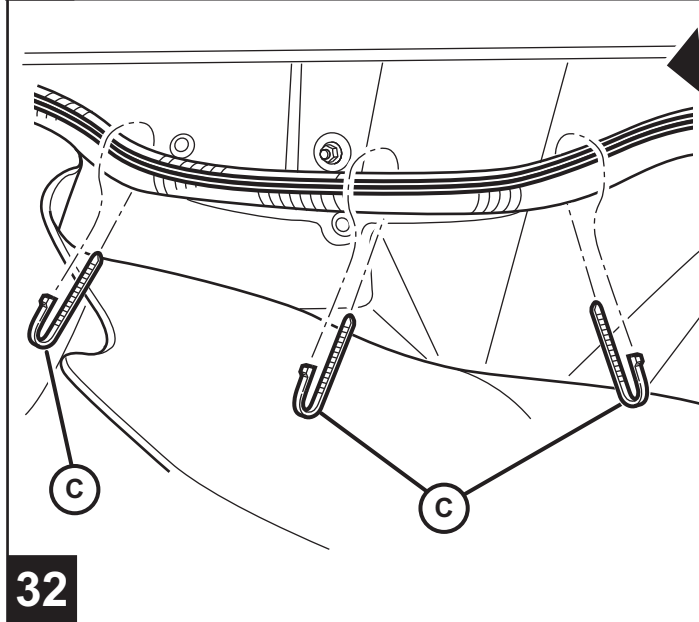
29



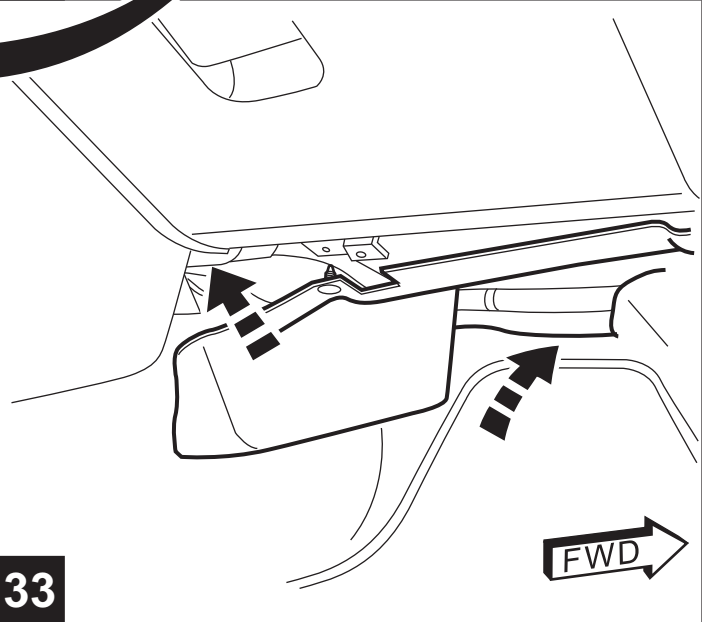
30



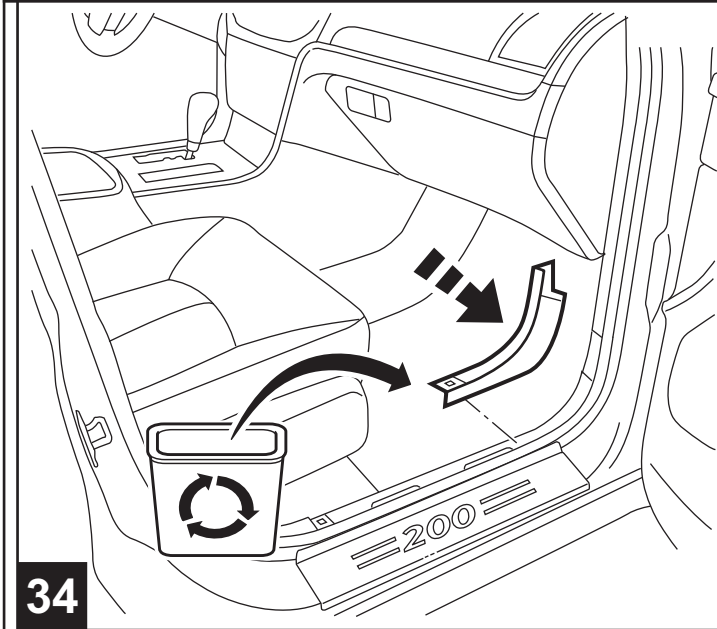
31



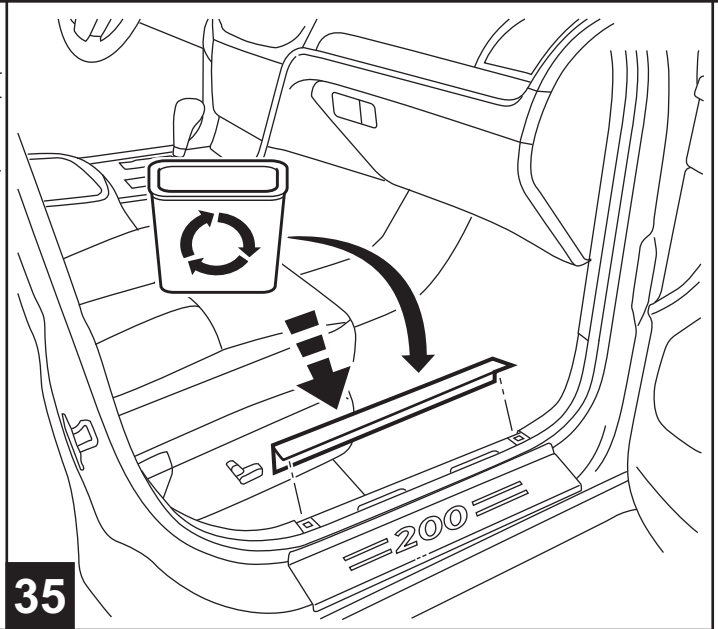
32



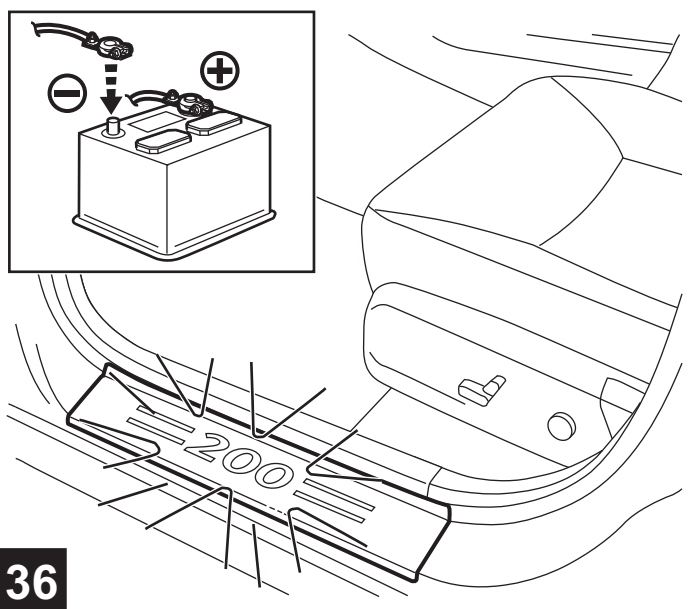
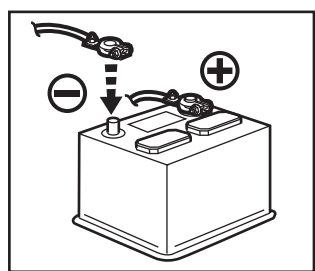
33



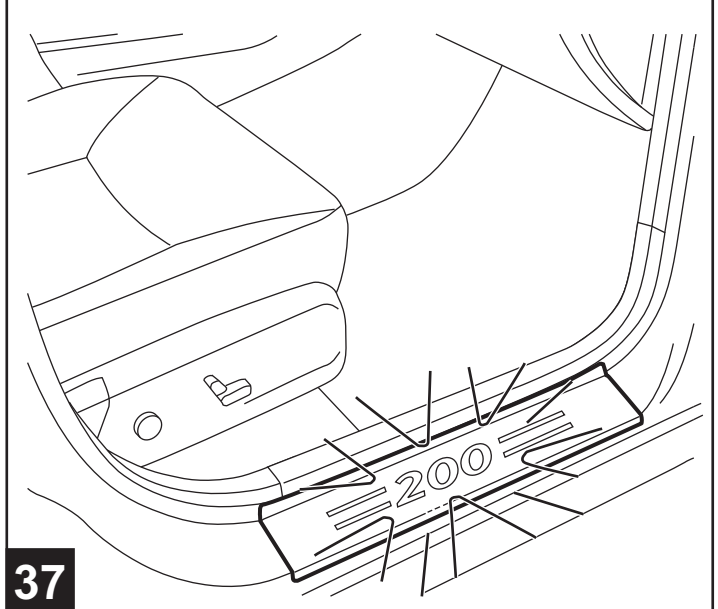
34



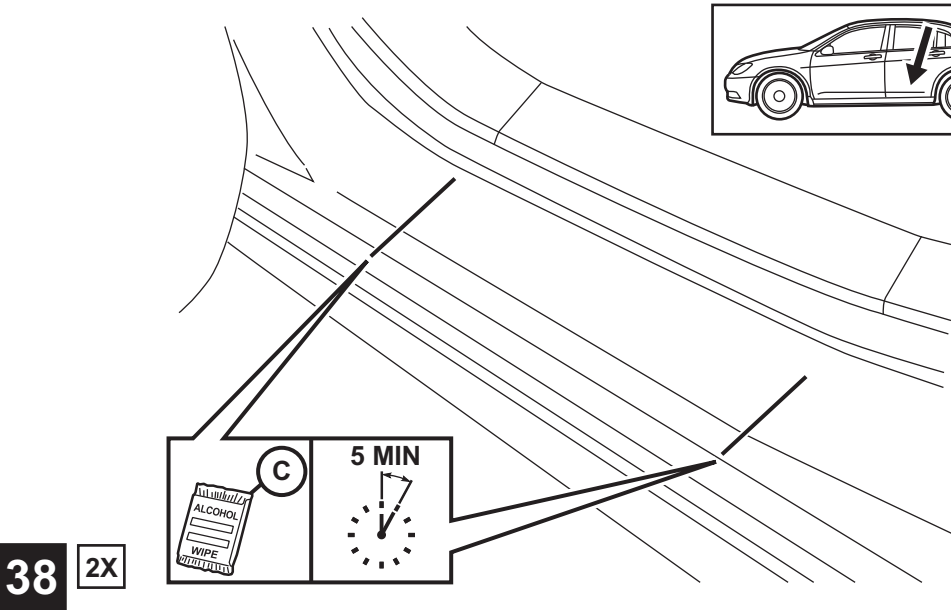
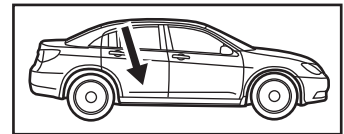
35



36

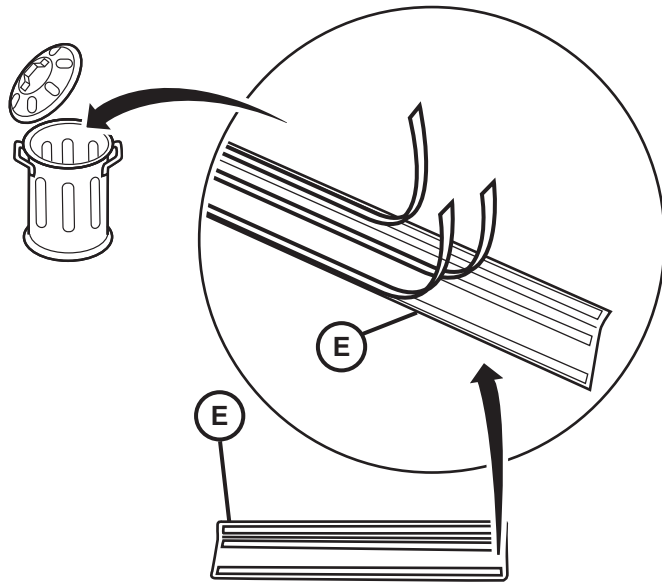


37

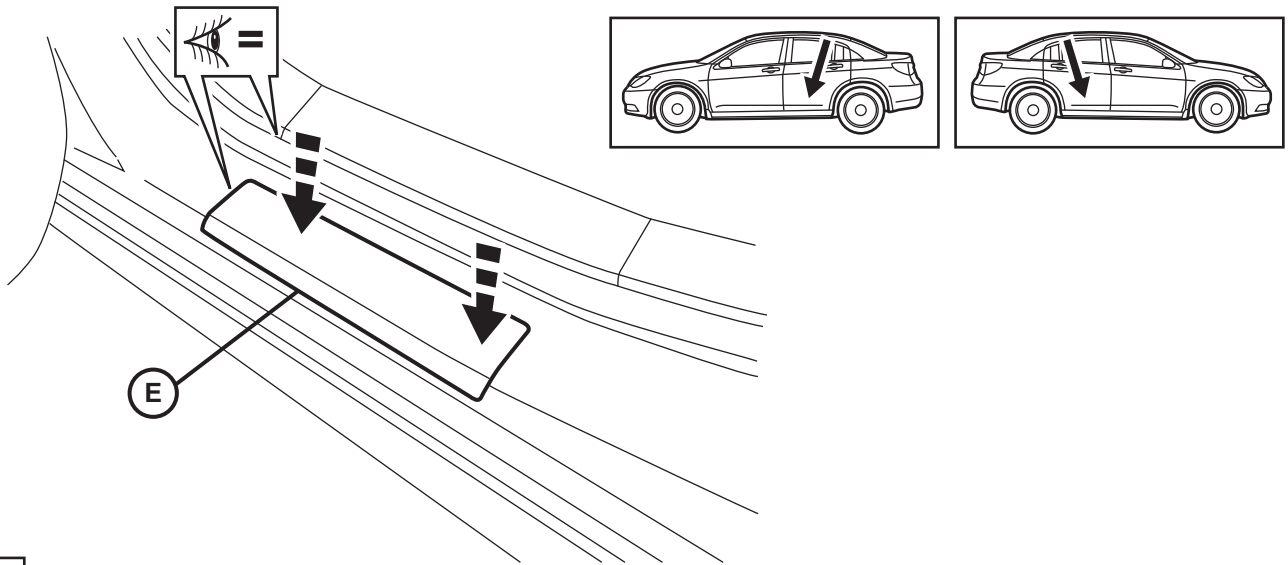


38

2X



39 2X



49 2X