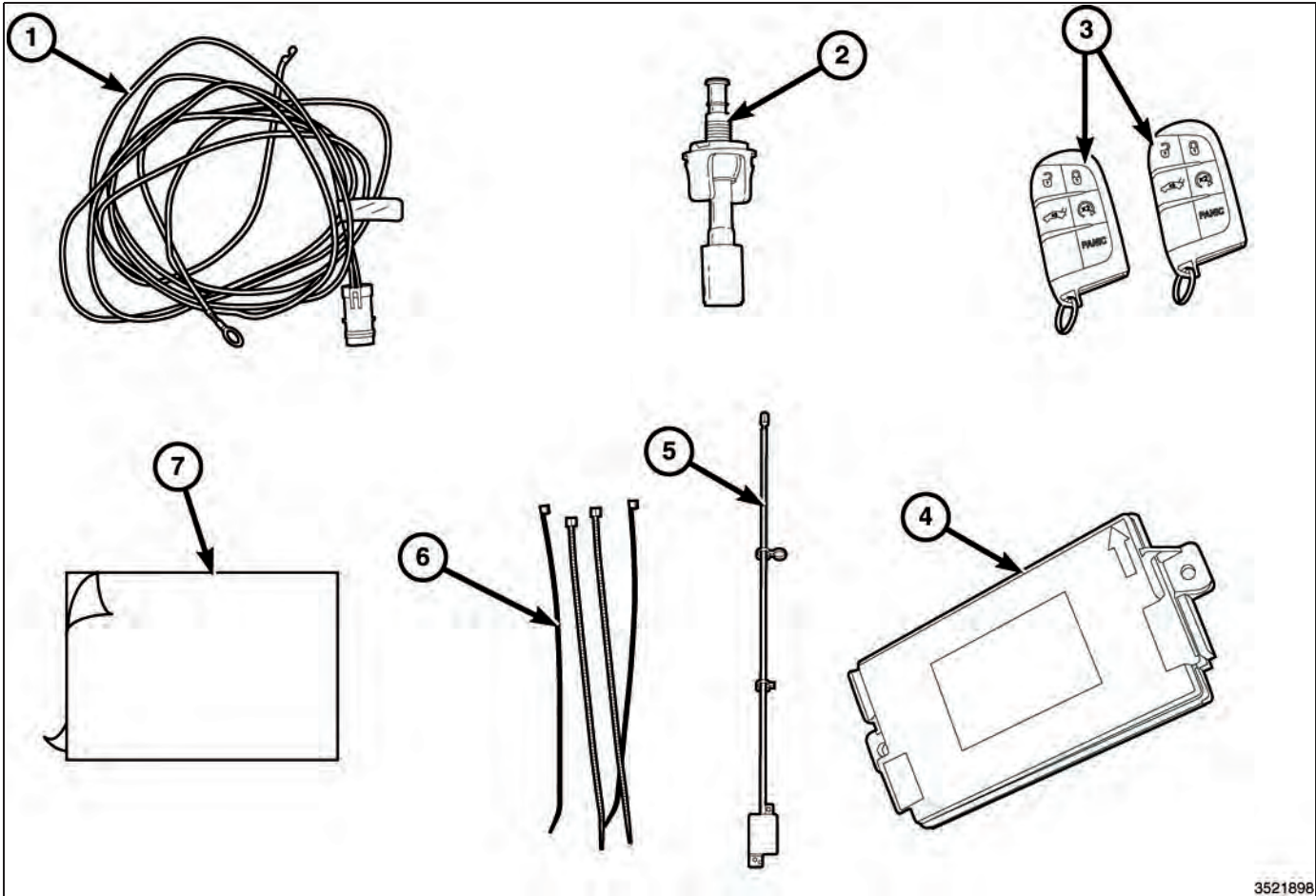




REMOTE START

DODGE JOURNEY



3521898

CALL OUT	DESCRIPTION	QUANTITY
1	Hood Switch Harness	1
2	Hood Ajar Switch	1
3	FOBIK	2
4	Radio Frequency Hub Module (RFHub)	1
5	Remote Start Antenna	1
6	Zip Ties	10
7	Adhesive Tape (Two Sided)	1

TOOLS REQUIRED	
Fiber/Trim Stick, Small Pick/Pry Tool	10mm,11mm,12mm, T20 and T25 Sockets, Ratchets with Extensions
Flock Tape or Equivalent	RTV Sealant or Equivalent

NOTE: IT IS RECOMMENDED TO READ THE INSTRUCTIONS THOROUGHLY BEFORE INSTALLING THIS ACCESSORY.

CAUTION: XBM remote start can **ONLY** be installed on vehicles that have the following factory options: Automatic Transmission, Remote Keyless Entry and Immobilizer. The XBM sales code must be added to the database and the Restore Vehicle Configuration (using a diagnostic scan tool) must be performed prior to installing the new RFHub module. Failure to do so will render the RFHub module's remote start function inoperative. The technician should wait 1/2 hour between adding XBM sales code in DealerConnect before installing the RFHub module and restoring vehicle configuration. In the interim, the technician can install all other components except the RFHub module.

PROCEDURE STEPS:

UPDATE VEHICLE CONFIGURATION

NOTE: The wiTECH software level must be at the latest release to perform this procedure.

1. VIN must be updated with the sales code of the added accessory in order to enable system functionality. Using the DealerCONNECT website and the wiTECH diagnostic application, complete the vehicle configuration.
2. Log on to <https://dealerconnect.chrysler.com>.
3. In the "Vehicle Option" screen under the "Global Claims System" category in the "Service" tab, enter the vehicle VIN, four digit pin number obtained from the dealership parts department and add sales code(s) noted below as a "Dealer Installed Option".

XBM (REMOTE START)

4. Confirm that the new sales code has been successfully added to the VIN.
5. With the wiTECH diagnostic application, perform the following steps from the Initial Start Up Screen:
 - Select the "DIAGNOSTIC PROCEDURES" tab
 - Select "RESTORE VEHICLE CONFIGURATION"
 - Select the "Run Diagnostic" button
 - Select "CONTINUE"
 - Verify that the vehicle VIN number is correct
 - Once verified, select the "Correct VIN" button
 - Note OnScreen instructions and select the "Close" button

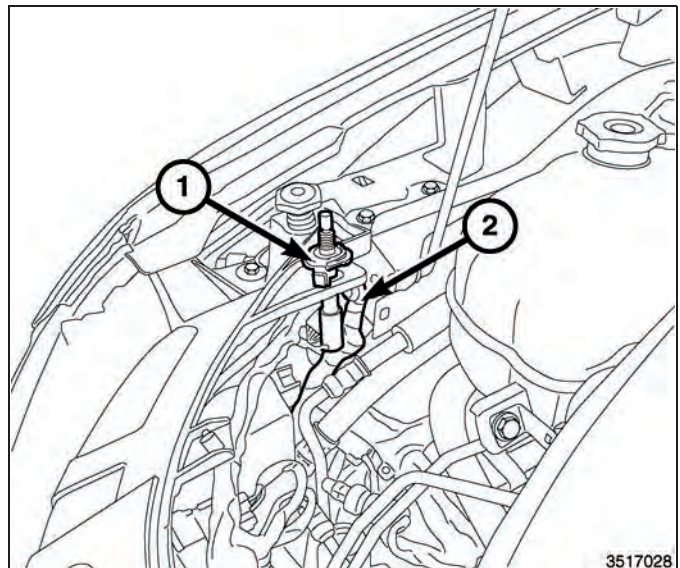
PROCEDURE STEPS:

WARNING: To avoid serious or fatal injury on vehicles equipped with airbags, disable the Supplemental Restraint System (SRS) before attempting any steering wheel, steering column, airbag, seat belt tensioner, impact sensor or instrument panel component diagnosis or service. Disconnect and isolate the battery negative (ground) cable, then wait two minutes for the system capacitor to discharge before performing further diagnosis or service. This is the only sure way to disable the SRS. Failure to take the proper precautions could result in accidental airbag deployment.

1. Disconnect and isolate the negative battery cable.
2. Locate the hood switch harness take off (1) located next behind the wiring harness (2) taped on the existing vehicle harness.
3. If the hood switch take off harness (1) is present on the existing vehicle harness, remove the tape securing the take off harness (1) from the vehicle harness.
4. Locate the hood switch mounting location on the driver side inner fender.
5. Position the hood ajar switch bracket (1) into the hood ajar switch bracket.

NOTE: Selfadjustment of the hood ajar switch is a onetime feature. If the switch is damaged, ineffective, removed or requires readjustment, it must be replaced with a new unit.

6. Position the hood ajar switch (1) near the hole in the mounting bracket.Á

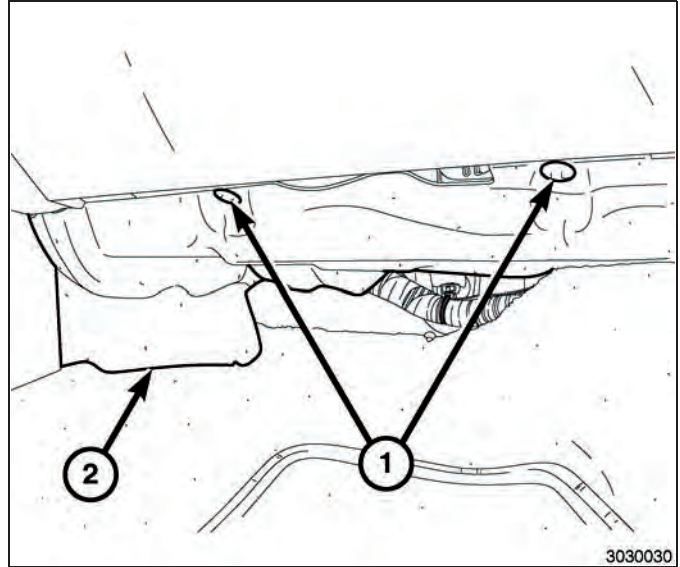


3517028

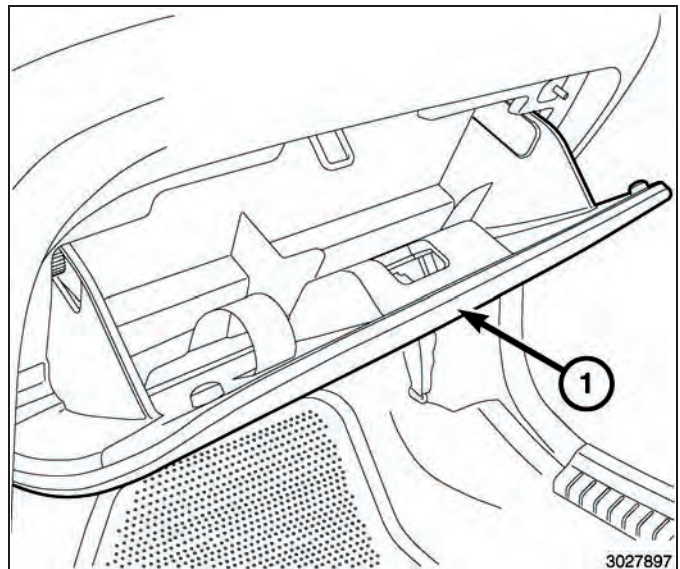
7. Pull the factory wire harness connector through the switch mounting bracket and connect it to the hood ajar switch (1). If the hood switch harness take off is not present on the existing vehicle harness, use the kit supplied harness.
8. From the top of the mounting bracket, press the hood ajar switch downward into the mounting hole of the bracket until the integral switch latch tabs lock it into place.

NOTE: If the factory hood ajar switch harness is present and being used for the connection, proceed to steps 844 and 6668.

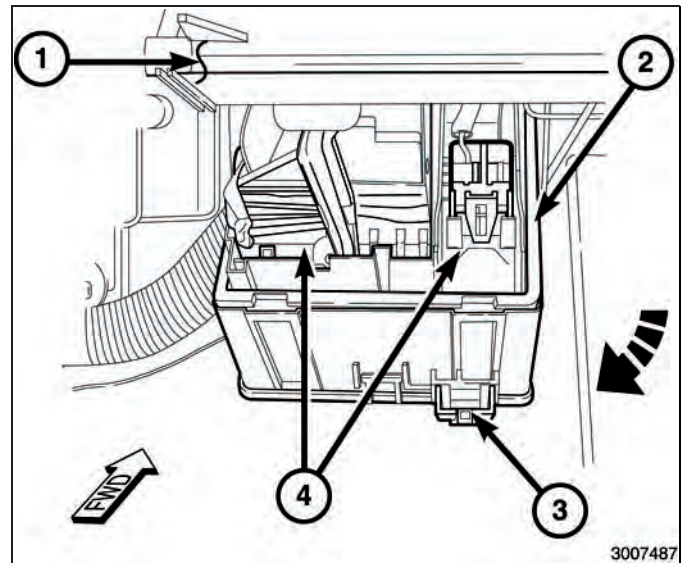
9. Remove I/P silencer pushin retainers (1) and remove the silencer (2) from below the glove box.



10. Open glove box door.
11. Push in on sides of the glove box bin (1) and lower door.
12. Disconnect the tether and LED harness.
13. Pivot the glove box downward and disengage the hinge hooks from the instrument panel.
14. Remove the glove box (1).Á

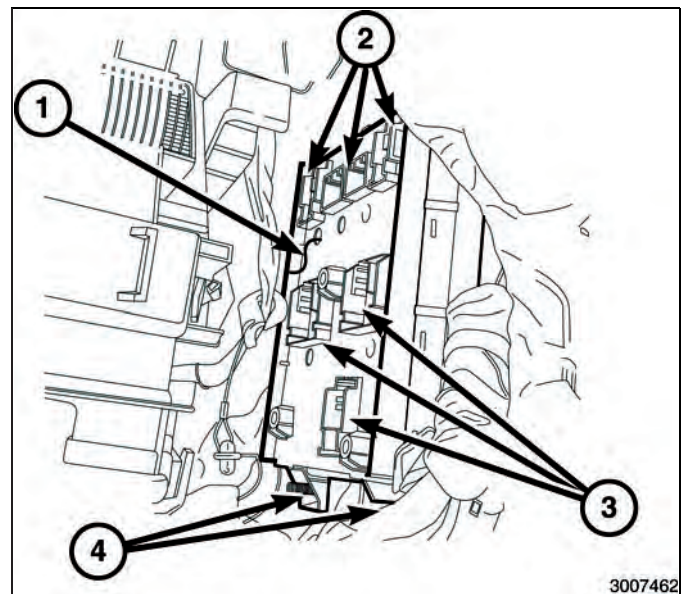


15. Release the clip (3) and position the fuse box assembly (2) down.
16. Disconnect the electrical connectors (4) from the fuse box (2).
17. Push the fuse box (2) down and inward toward the floor. The top of the fuse box will roll back and release from the track.



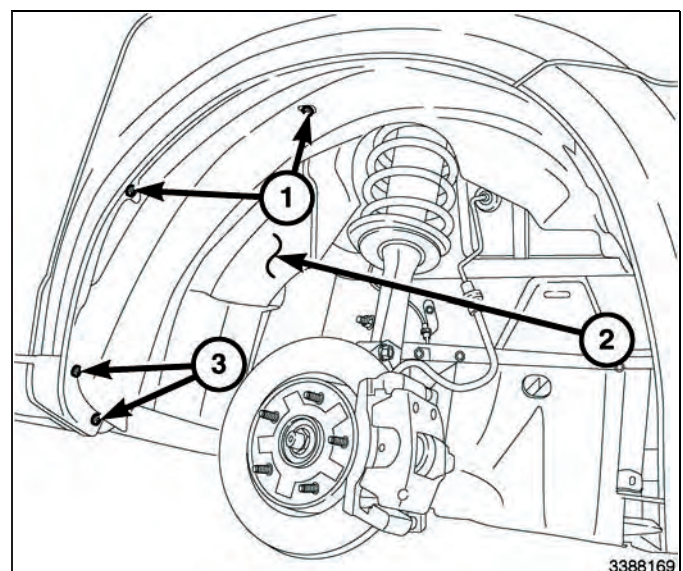
NOTE: For ease in reinstallation, label the connectors/wiring harnesses being disconnected from the Body Control Module (1).

18. Disconnect the electrical connectors from the Body Control Module (BCM) (1).
19. Remove the two fasteners (4) at the bottom of the BCM.
20. Pull the BCM away from the side bulk head and down to remove.

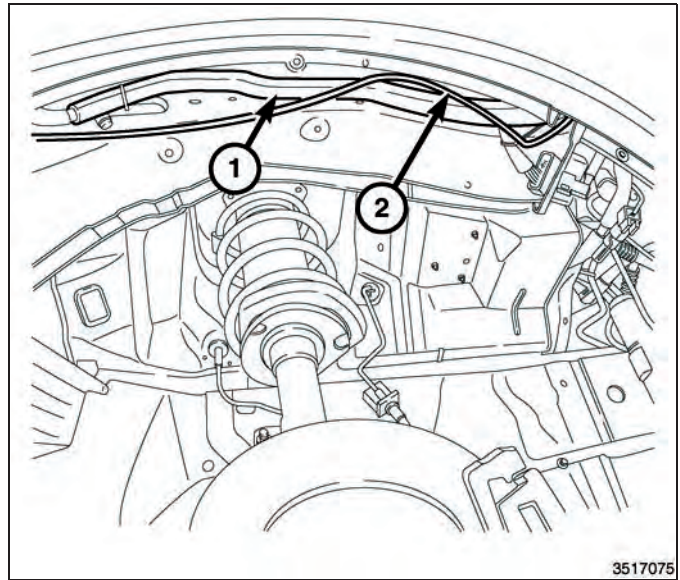


NOTE: Do not remove the two plastic rivets (3) at the rear of the wheelhouse splash shield (2).

21. Remove the twelve right front wheelhouse splash shield pushin retainers (1).
22. Pull the front of the splash shield (2) down (without fully removing) for access to the wiring harness and wiring harness grommet at the back of the wheelhouse.␣



23. Connect the kit BCM harness connector (3) to the fog lamp harness connector.
24. Route the BCM/fog lamp harness (2) with the vehicle harness (1) toward the back of the wheelhouse.

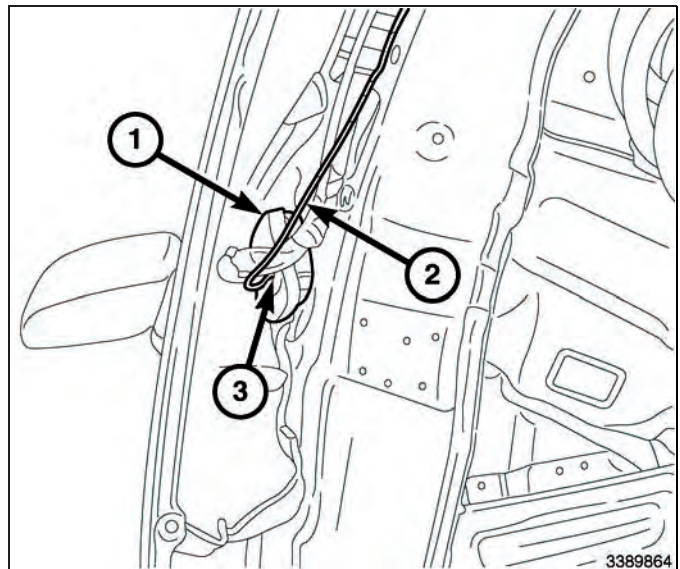


25. Disconnect the body wiring harness grommet (1) from the body.

NOTE: The grommet is a double sided grommet with rubber inside the vehicle side and outside the vehicle. Be sure to pierce all the way through both sides. Be careful not to compromise the engine wiring harness while piercing the grommet. After the remote start wire is fully installed and secured, apply RTV sealant to the pierced area in the grommet.

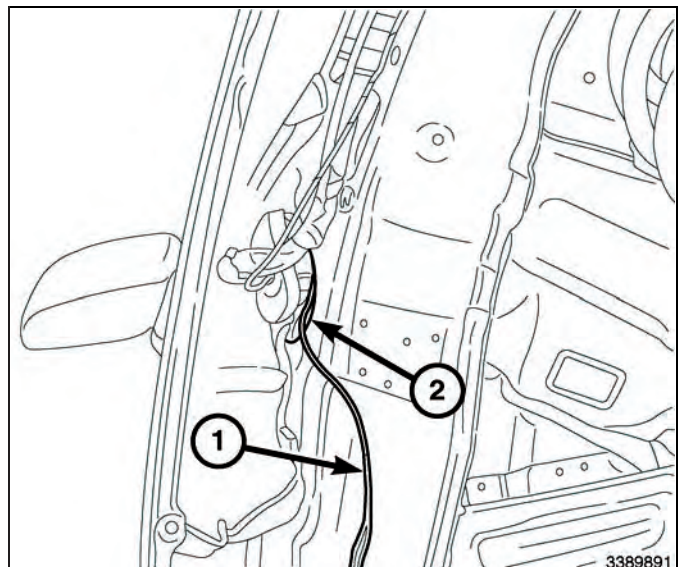
NOTE: Be careful not to damage the harness or terminals when piercing the grommet or feeding the harness through the grommet.

26. Pierce (3) the grommet (1) and feed the kit BCM wire harness (2) through the grommet (1) from the outside.

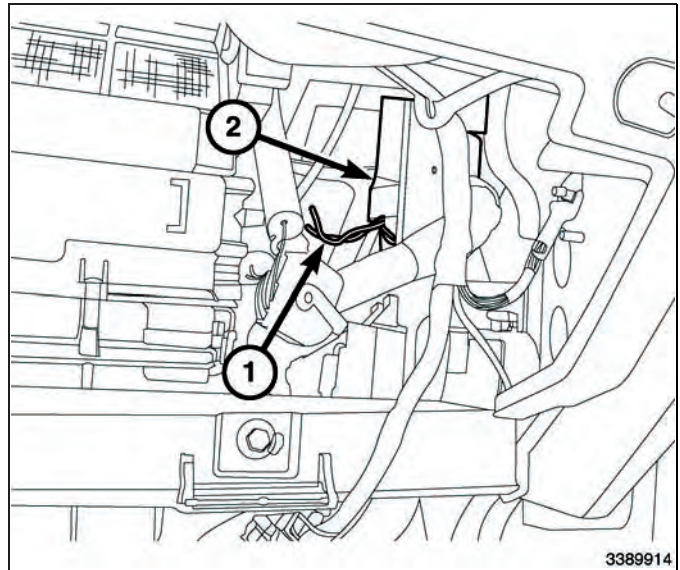


NOTE: The inner body access hole is slightly behind the grommet access hole (2), and has insulation inside the vehicle covering the hole. The kit BCM wiring harness (1) can be pushed past the forward edge of the insulation and into the passenger compartment.

27. Reach in the grommet access hole (2) and feed the loose wires of the kit BCM harness (1) through the inner body access hole (not shown, inside grommet access hole (2)) for connecting to the BCM connectors inside the vehicle.

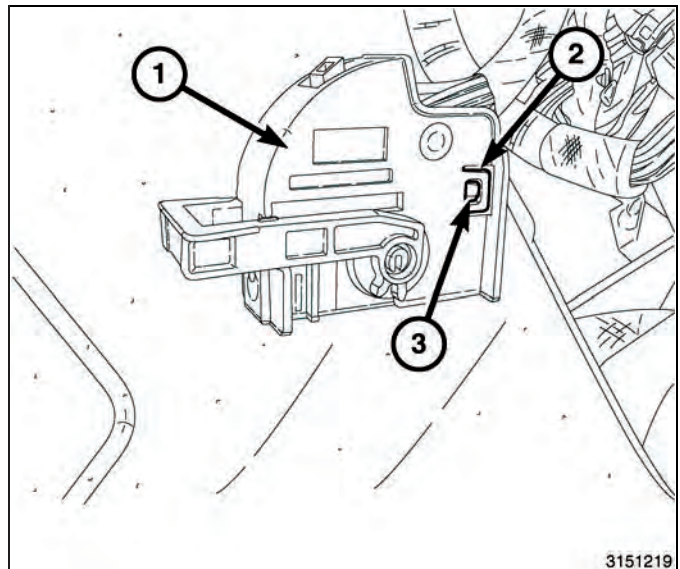


28. Forward of the BCM bracket (2), locate the kit Remote Start harness wire (1) and pull through enough to insert into the BCM connector.

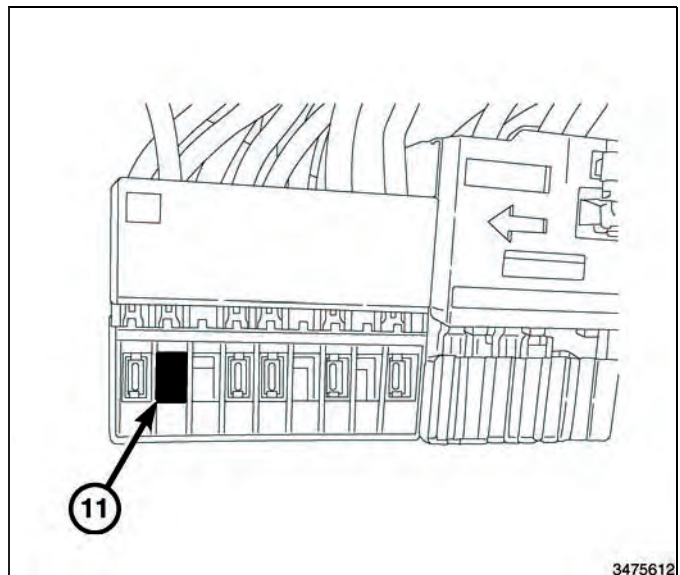


NOTE: The connector cover can be installed on the wrong connector and the covers are keyed to be used only in the correct module receptacle.

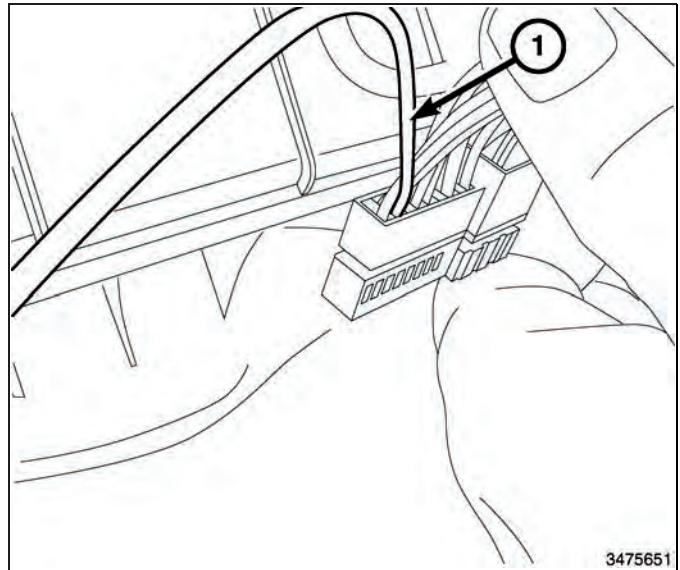
29. Obtain the connector labeled "A" and using trim stick or equivalent, carefully insert between connector cover latch (2) and the lock tab (3) to release, then slide the connector housing (1) off the connector.



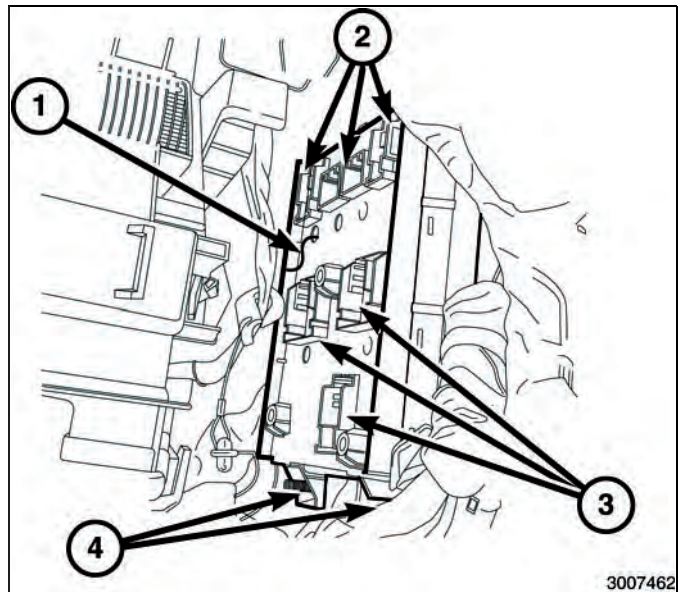
30. Locate cavity eleven (11) on the connector.



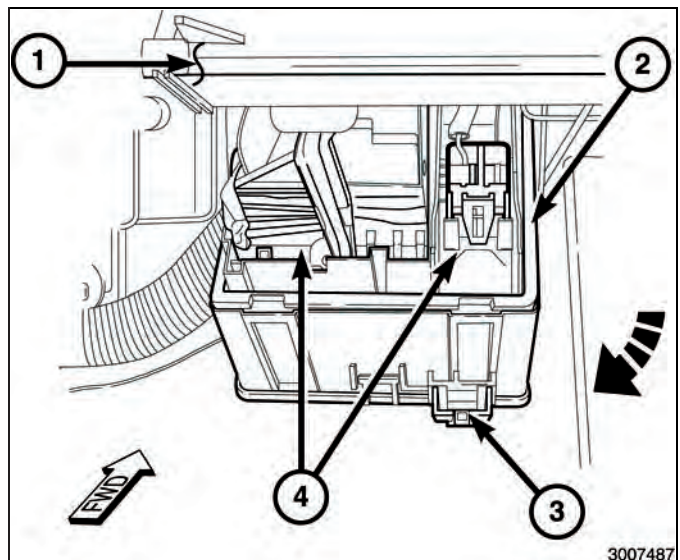
31. Insert/populate the pin from the hood ajar switch harness (1) into cavity eleven.



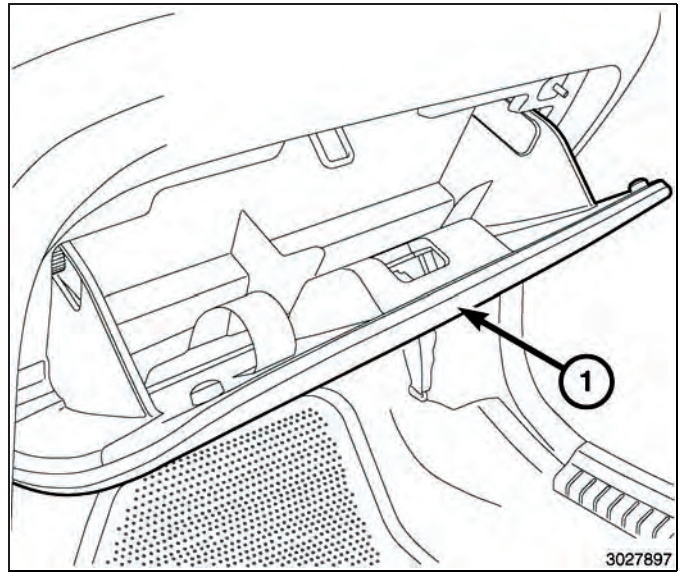
32. Position the BCM (1), and install the two fasteners (4).
33. Connect the electrical connectors to the BCM (1).



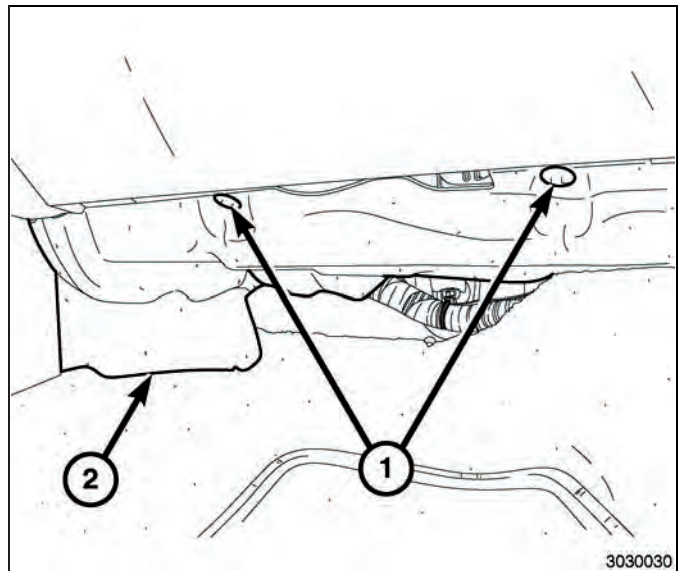
34. Position the fuse box (2) in the mounting bracket track.
35. Connect the electrical connectors (4) to the fuse box.
36. Raise the fuse box assembly up into place, and engage the clip (3).



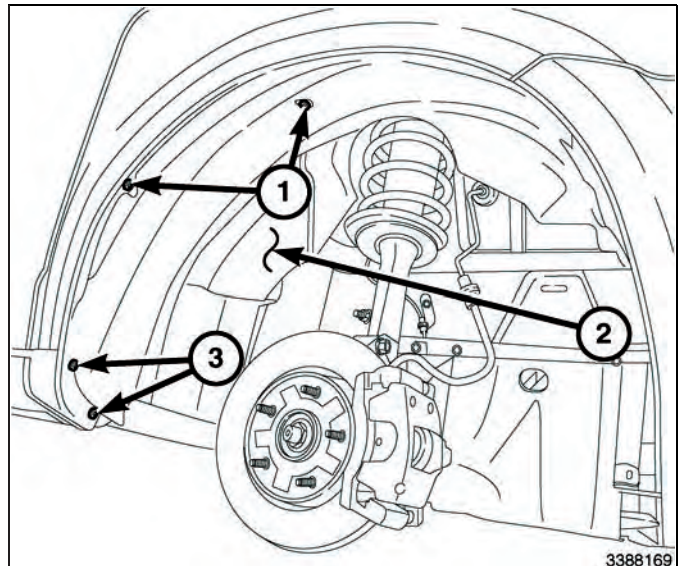
37. Place the glove box (1) in position, engage the hinge hooks into the instrument panel and pivot the glove box (1) upward.
38. Connect the tether and LED harness.
39. Push in the sides of the glove box bin (1) and snap the glove box assembly into the instrument panel.
40. Close the glove box door.



41. Position the silencer (2) to the I/P and install the pushin retainers (1).

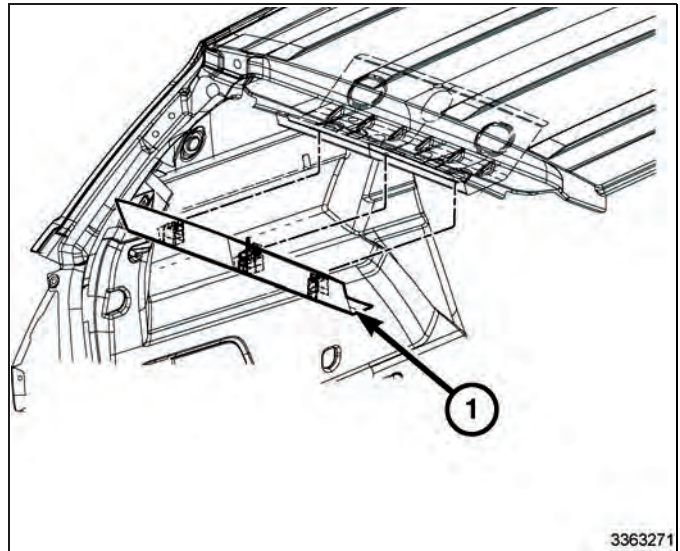


42. Position the right front wheelhouse splash shield and install the twelve pushin retainers (1).
43. Install the wheel.
44. Lower the vehicle.Á

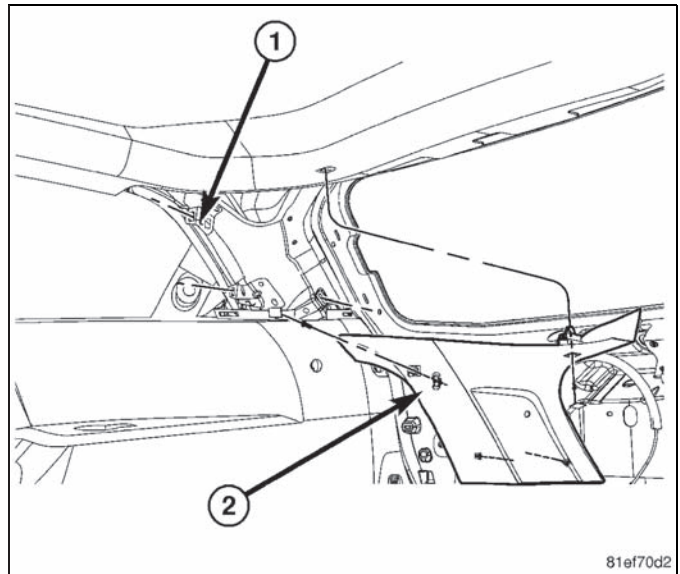


NOTE: Liftgate removed for clarity.

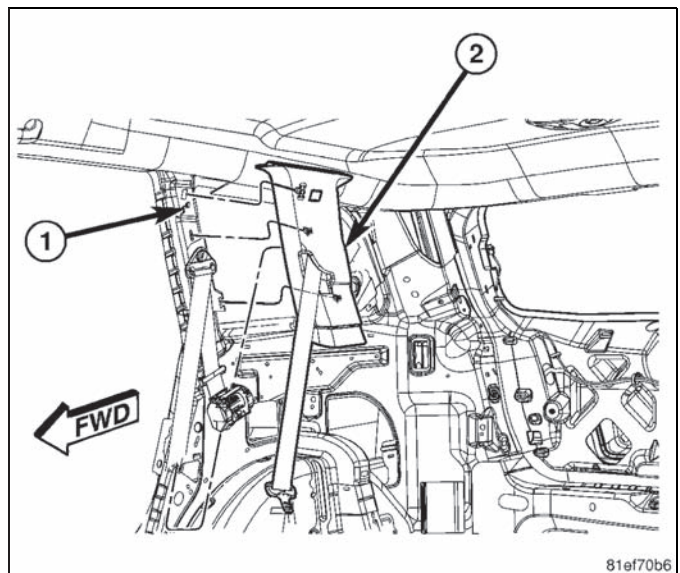
45. Open the liftgate.
46. If necessary, remove a portion of the upper liftgate weatherstrip.
47. Remove the rear header trim panel (1) by pulling downward.

**NOTE: Use a prop to hold the headliner in place.**

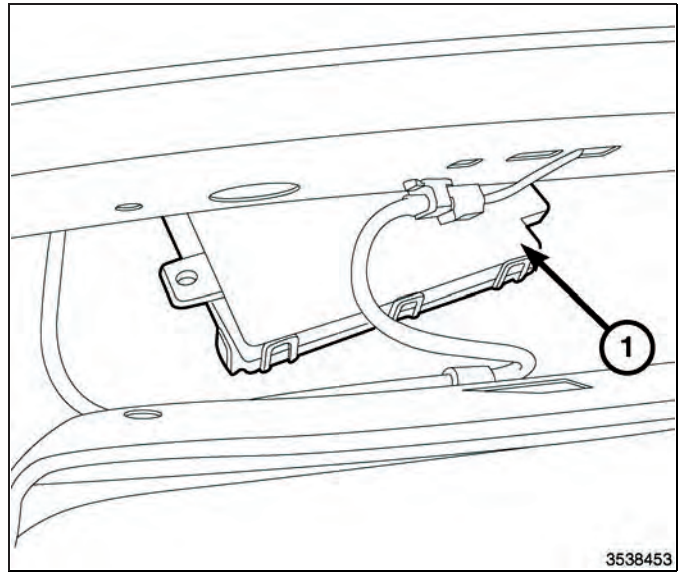
48. Remove the Dpillar access hole cover and remove the mounting fastener.
49. Using trim stick carefully pry the Dpillar out disengaging the retaining clips.
50. Remove the Dpillar (2) from the vehicle.
51. Repeat DPillar removal steps on the opposite side.



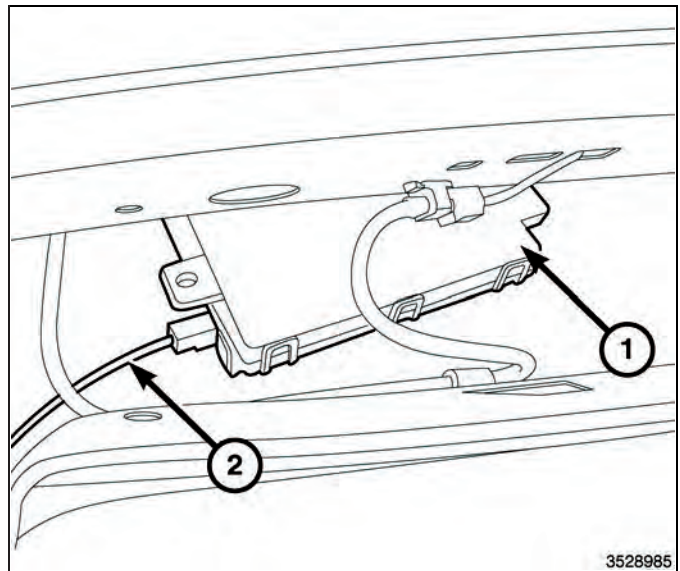
52. Remove the upper Cpillar access hole cover and remove the mounting fastener.
53. Using trim stick, carefully pry the upper Cpillar (2) out to disengage it's retaining clips.
54. Remove the upper Cpillar (2) from the vehicle.
55. Repeat CPillar removal steps on the opposite side.Á



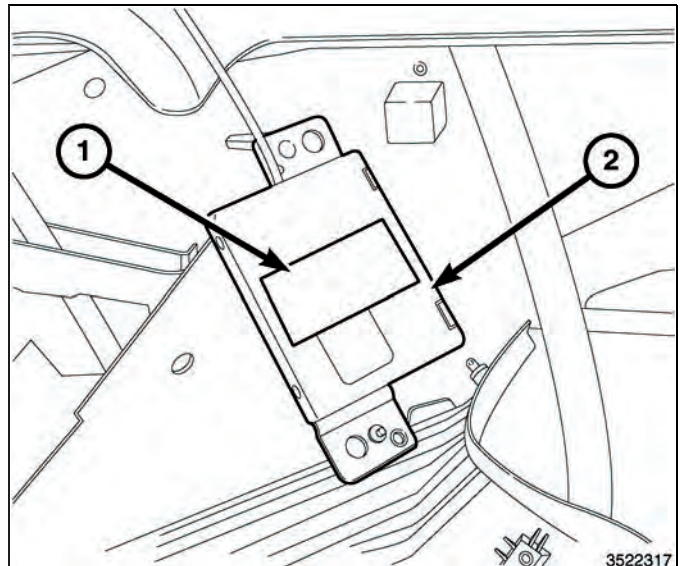
56. Looking into the rear of the vehicle, lower the headliner slightly. **TAKE CAUTION TO AVOID DAMAGE TO THE HEADLINER.**
57. Remove the fasteners securing the RFhub module (1) located on the front edge of the rear header.
58. Disconnect the vehicle harnesses from the RFhub module (1) and discard the module.



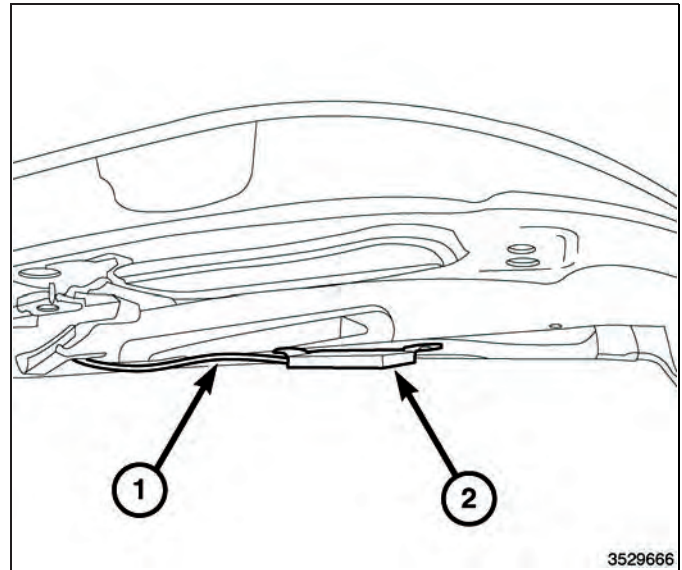
59. Obtain the kit supplied RFhub module (1) and remote start antenna, connect the vehicle harnesses and the antenna harness (2).
60. Position the RFhub (1) and install the fasteners securing it. Tighten the fasteners securely.
61. Route the remote start antenna (2) towards the rear passenger side of the vehicle. **Be sure the remote start antenna is placed in an area that will not interfere with any existing parts when the headliner is reinstalled.**



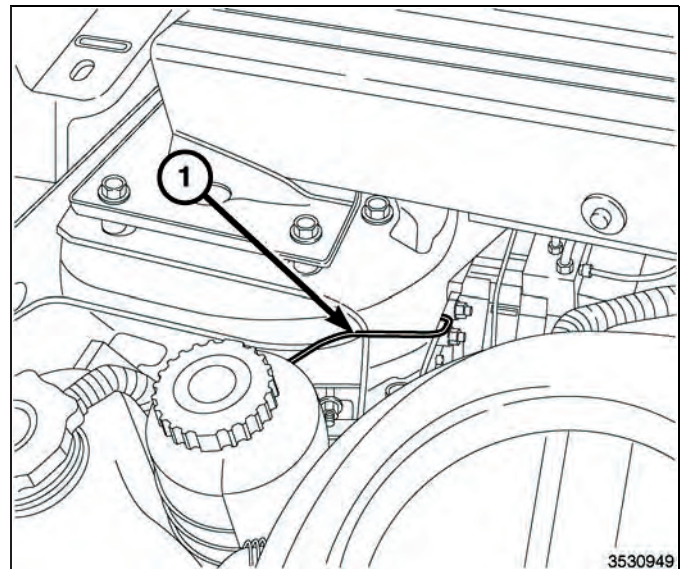
62. Using the kit supplied adhesive tape (1), remove one side of the tape's adhesive backing and position it to the center of the antenna (2) where the label is located.
63. Press firmly on the tape (1) for 30 seconds.Á



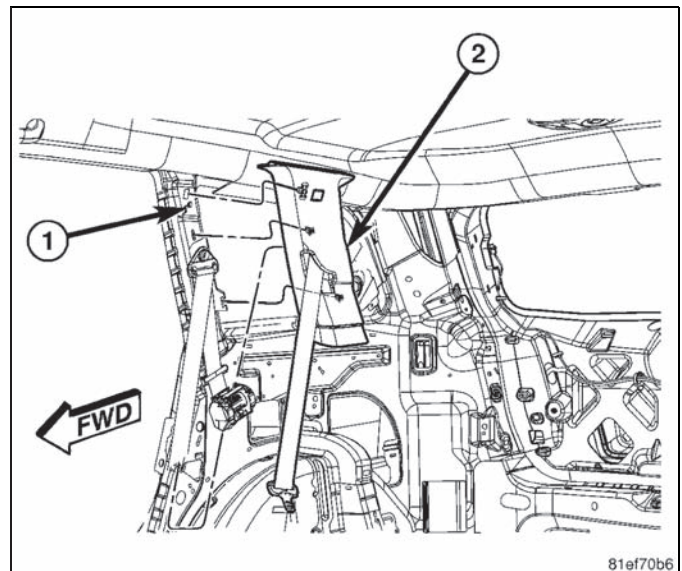
64. Remove the remaining side of the adhesive backing and place the remote start antenna on a flat surface of the headliner just forward of the rear header. **The remote start antenna tabs should be facing up when installed.**
65. Secure the remote start antenna harness (1) to the headliner with flock tape or equivalent.



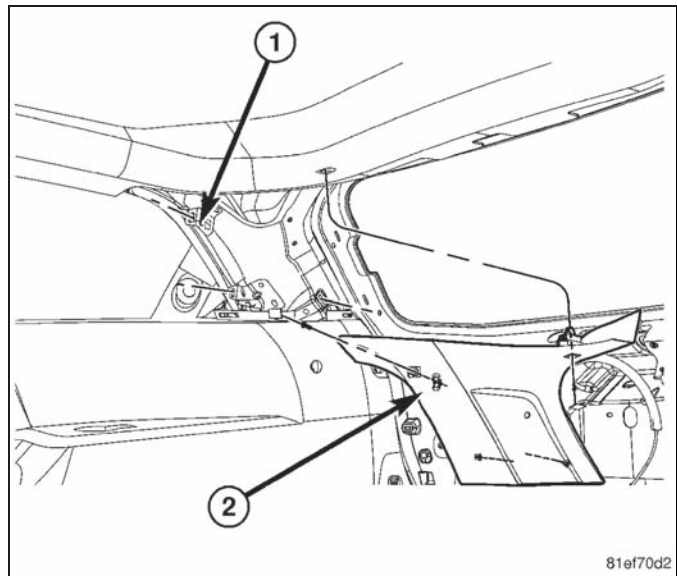
66. In the engine compartment, route the ground wire portion (1) of the remote start harness behind the coolant recovery bottle to the ground block behind the bottle.
67. Remove a ground stud retaining nut, attach the ground eyelet and install the ground stud retaining nut.
68. Secure the harness (1) with the kit supplied zip ties.



69. Lift the headliner into place and prop it up.
70. Place upper Cpillar trim (2) into position.
71. Firmly seat the retaining clips to the Cpillar.
72. Install the mounting fastener and access hole cover.
73. Repeat the upper Cpillar installation steps on the opposite side.Á

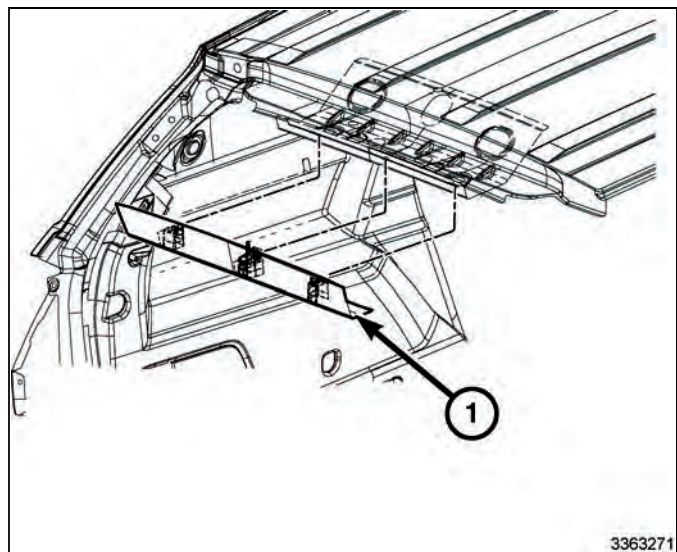


74. Position the Dpillar trim (2) into position.
75. Firmly seat the retaining clips securing the Dpillar trim
76. Install mounting fasteners and access hole covers.
77. Repeat the Dpillar trim installation steps on the opposite side.
78. Remove the prop from the headliner.



NOTE: Liftgate removed for clarity.

79. Position the rear header trim panel (1). Hand tap to install.
80. If removed, reinstall the upper liftgate weatherstrip.
81. Close the liftgate.
82. Reconnect the negative battery cable.



PROGRAMMING IGNITION KEY FOB/K

NOTE: The wiTECH software level must be at the latest release to perform this procedure.

CAUTION: Read all notes and cautions for programming procedures.

NOTE: Do not put a Laptop or any wireless device (cell phone, audio device, etc.) on top of or near the center console. The RF Antenna is below the console.

NOTE: When programming a FOB/K, hold it near or on the center console top.

NOTE: When you are instructed to "Press the Unlock button" it is important that you do not hold the button. Press it One time quickly.

1. Connect a battery charger to the vehicle.
2. With the wiTECH diagnostic application, perform the following steps:
 - Select "RADIO FREQUENCY HUB (RFH)"
 - Turn the ignition to the off/lock position. The ignition must be left off throughout this procedure on vehicles equipped with the RFHub.
 - Select the "MISCELLANEOUS FUNCTIONS" tab
 - Highlight "PROGRAM IGNITION FOB/Ks"
 - Select "CONTINUE"
 - Note OnScreen instructions and select the "FINISH" button

- Cycle ignition key after the successful routine completion.

NOTE: A maximum of eight keys can be learned by the RFH.

PROGRAMMING THE RADIO FREQUENCY HUB (RFHUB)

NOTE: The wiTECH software level must be at the latest release to perform this procedure.

CAUTION: Read all notes and cautions for programming procedures.

NOTE: Have the vehicle PIN readily available before running the routine

1. Connect a battery charger to the vehicle.
2. With the wiTECH diagnostic application, perform the following steps:
3. Turn the ignition ON.
 - Select "RADIO FREQUENCY HUB (RFH)"
 - Select the "MISCELLANEOUS FUNCTIONS" tab
 - Highlight "RFHUB REPLACE"
 - Select the "Start Misc Function" button
 - Select "NEXT"
 - Enter the PIN when prompted.
 - Select "NEXT"
 - Verify that the PIN number is correct
 - Once verified select "NEXT"
 - Select "NEXT"
 - Note OnScreen instructions and select the "FINISH" button
 - Cycle ignition key after the successful routine completion.

ECU RESET

NOTE: The wiTECH software level must be at the latest release to perform this procedure.

CAUTION: Read all notes and cautions for programming procedures.

1. Connect a battery charger to the vehicle.
2. With the wiTECH diagnostic application, perform the following steps:
 - Select the "DIAGNOSTIC PROCEDURES" tab
 - Highlight "RESET ECU"
 - Select "RADIO FREQUENCY MODULE (RFH)"
 - Note OnScreen instructions and select the "NEXT" button
 - Select "FINISH"

WINDOW CALIBRATION

NOTE: The wiTECH software level must be at the latest release to perform this procedure.

NOTE: Vehicles equipped with the auto up feature must have the windows calibrated after a battery disconnect.

NOTE: The door must be completely closed when starting this step.

1. Sit in the driver seat and close the door.
2. Lower the window part of the way down.
3. Run the window to the full up position and continue to hold the switch for an additional two seconds.
4. Run the window to the full down position and continue to hold the switch for an additional two seconds.
5. Raise the window to the full up position.
6. Repeat the steps for the remaining windows.

TEMPORARY REMOTE START DISABLE

NOTE: The wiTECH software level must be at the latest release to perform this procedure.

CAUTION: Read all notes and cautions for programming procedures.

1. Connect a battery charger to the vehicle.
2. With the wiTECH diagnostic application, perform the following steps:
 - Select "BODY CONTROL MODULE (BCM)"

- Select the "MISC FUNCTIONS" tab
- Highlight and select "TEMPORARY REMOTE START DISABLE"
- Note OnScreen instructions and select the "NEXT" button
- Select the "DISABLE" button to activate the remote start function
- Select "YES" to reset the module and exit the routine, select "NO" to toggle the value back
- Select "FINISH"

CLEAR ALL DTC'S

NOTE: The wiTECH diagnostic application is the preferred method for clearing all DTC's.

NOTE: The wiTECH software level must be at the latest release to perform this procedure.

ACTIVATE THE REMOTE START

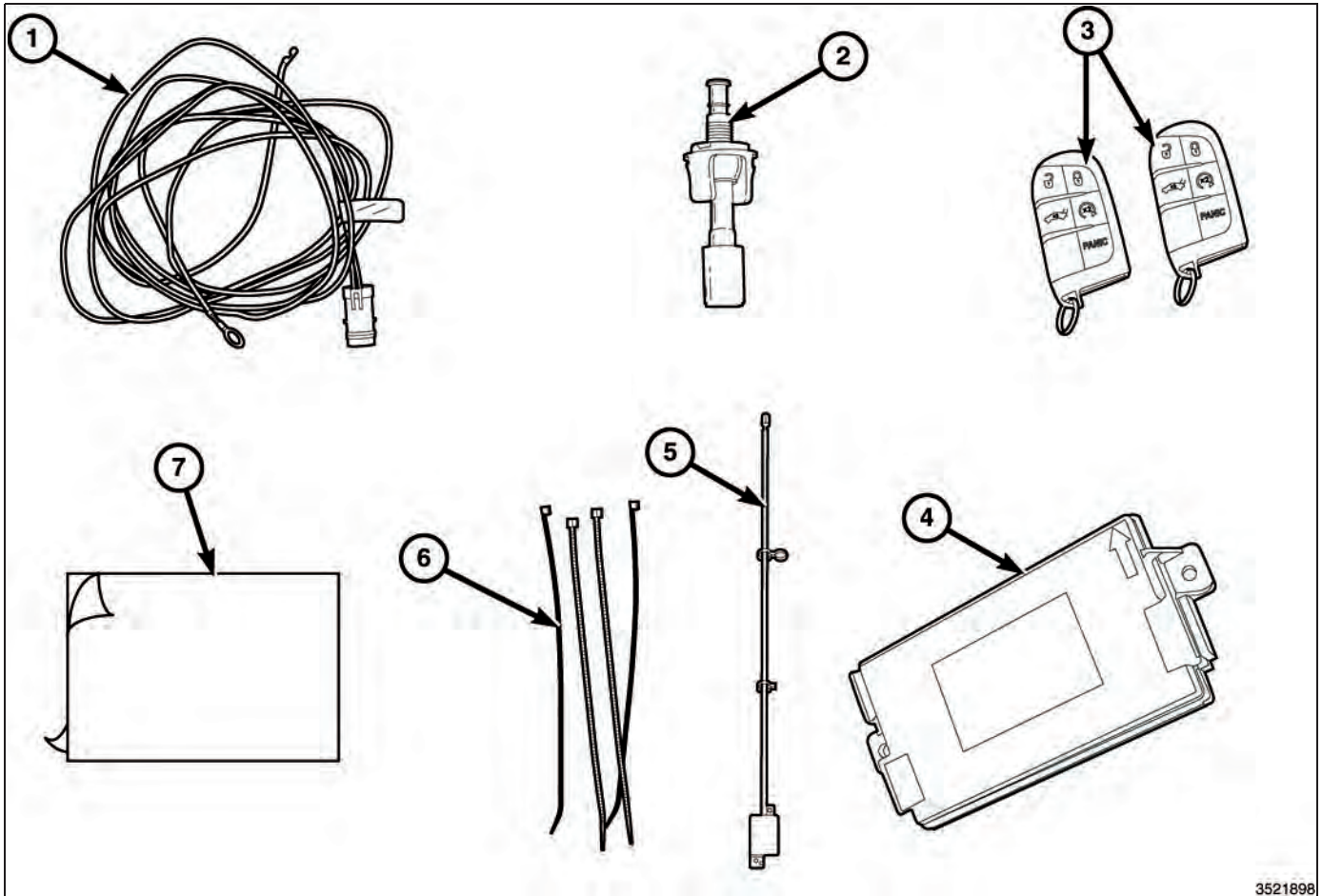
To activate the remote start the vehicle must be driven at least 35 MPH.

With the vehicle off, and the doors closed and locked, verify the remote start is functioning properly.



DÉMARRAGE À DISTANCE

DODGE JOURNEY



3521898

Numéro de légende	Description	Quantité
1	Faisceau de câblage de contacteur de capot	1
2	Contacteur de capot entrouvert	1
3	Télécommande avec clé intégrée (FOBIK)	2
4	Module de concentrateur de fréquence radio (concentrateur RF)	1
5	Antenne de démarreur à distance	1
6	Attaches monousage	10
7	Ruban adhésif (double face)	1

Outils requis

Baguette de garnissage à fibre, petit pic/outil pour faire levier	Douilles, cliquets avec rallonges de 10mm, 11mm, 12mm, T20 et T25
Ruban de floc ou équivalent	Enduit d'étanchéité à vulcanisation à température ambiante (RTV) ou produit équivalent

REMARQUE: Il est recommandé de lire attentivement les présentes consignes avant de poser cet accessoire.

Nov 8, 2013

4280315

K6861267 Rev.C

ATTENTION: Le démarrage à distance XBM peut être installé **SEULEMENT** sur les véhicules qui sont dotés des options suivantes installées en usine : boîte automatique, télédéverrouillage et antidémarrreur. Le code de vente XBM doit être ajouté à la base de données et la procédure de Restauration de configuration de véhicule (à l'aide d'analyseur contrôleur) effectuée avant de poser le nouveau module de concentrateur RF. Le défaut de procéder ainsi pourrait provoquer une défaillance de la fonction de démarrage à distance du module de concentrateur RF. Le technicien devrait attendre 1/2 heure entre l'ajout du code de vente XBM dans DealerConnect avant la pose du module de concentrateur RF et la restauration de la configuration du véhicule. Entre temps, le technicien peut poser d'autres composants à l'exception du module de concentrateur RF.

ÉTAPES DE LA PROCÉDURE :

METTRE À JOUR LA CONFIGURATION DU VÉHICULE

REMARQUE: Le niveau du logiciel wiTECH doit se situer à la plus récente édition pour exécuter cette procédure.

1. Le NIV doit être mis à jour avec le code commercial de l'accessoire ajouté pour autoriser la fonctionnalité du système. À l'aide du site Web DealerCONNECT et de la fonction de diagnostic wiTECH, compléter la configuration du véhicule.
2. Vous connecter à <https://dealerconnect.chrysler.com>.
3. Dans l'écran «Vehicle Option» sous la catégorie «Global Claims System» sous l'onglet « Service », entrer le NIV du véhicule, le NIP à quatre chiffres obtenu du service des pièces du concessionnaire et ajouter le(s) code(s) de vente cidessous comme « Dealer Installed Option ».

XBM (DÉMARRAGE À DISTANCE)

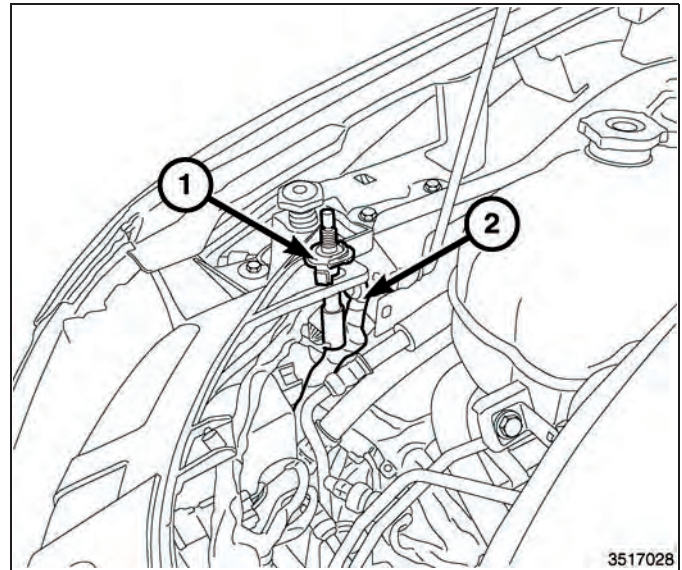
4. Confirmer que le nouveau code de vente a été correctement ajouté au NIV.
5. À l'aide de la fonction de diagnostic wiTECH, exécuter les étapes suivantes à partir de l'écran de démarrage initial (Initial Start Up Screen) :
 - Sélectionner l'onglet « DIAGNOSTIC PROCEDURES ».
 - Sélection "RESTAURER LA CONFIGURATION DU VÉHICULE"
 - Sélectionner le bouton « Run Diagnostic »
 - Sélectionner « CONTINUE»
 - S'assurer que le NIV du véhicule est correct.
 - Une fois la vérification faite, sélectionner le bouton « Correct VIN »
 - Noter les instructions qui apparaissent à l'écran et sélectionner le bouton « Close »

ÉTAPES DE LA PROCÉDURE :

AVERTISSEMENT: Pour éviter les blessures graves, voire mortelles sur un véhicule pourvu de sacs gonflables, désactiver le système de retenue complémentaire avant d'effectuer tout diagnostic ou intervention sur un composant du volant, de la colonne de direction, du sac gonflable, du tendeur de ceinture de sécurité, du capteur d'impact ou du tableau de bord. Débranchez et isolez le câble (masse) de tension négative de la batterie, puis attendez deux minutes pour que le condensateur de système se décharge avant d'effectuer un diagnostic plus approfondi ou une autre réparation. C'est le seul moyen efficace et sécuritaire de désactiver le système de retenue supplémentaire. Le non respect des précautions appropriées pourrait entraîner le déploiement accidentel du sac gonflable.

1. Débrancher et isoler le câble négatif de la batterie.
2. Localiser la prise du faisceau de commutateur de capot (1) situé à côté, derrière le faisceau de câblage (2) collé avec du ruban adhésif au faisceau existant du véhicule.
3. Si le faisceau de prise du commutateur de capot (1) est présent sur le faisceau existant du véhicule, enlever le ruban adhésif fixant le faisceau de prise (1) du faisceau du véhicule.
4. Localiser l'emplacement de montage du commutateur de capot sur l'aile intérieure du côté conducteur.
5. Placer le support de commutateur de capot entrouvert (1) dans le support de commutateur de capot entrouvert.

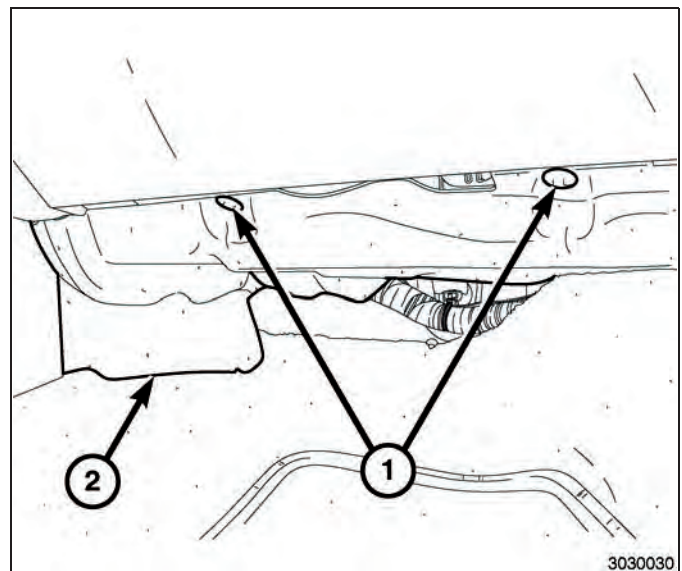
REMARQUE: L'autoréglage du contacteur de capot entrouvert est une fonction à usage unique. Si le contacteur est endommagé, inefficace, retiré ou nécessite un réajustement, il doit être remplacé par un nouveau contacteur.



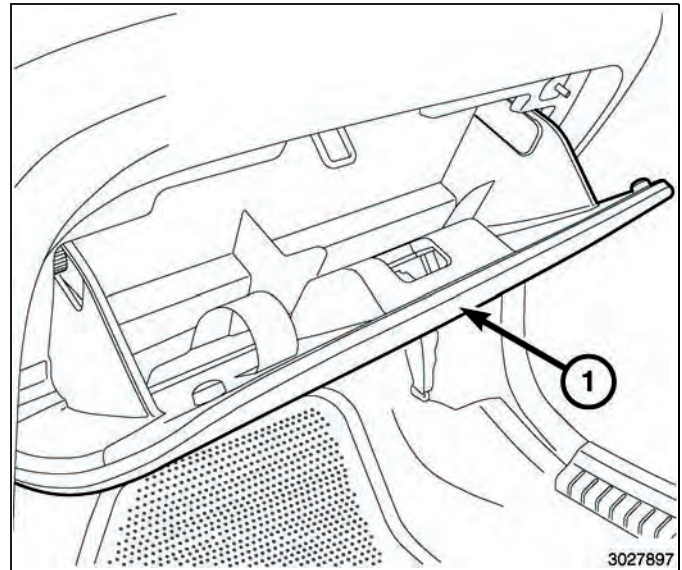
6. Placer le commutateur de capot entrouvert (1) près du trou du support de montage.
7. Tirer le connecteur de faisceau d'origine à travers le support de montage du commutateur et le brancher au commutateur de capot entrouvert (1). S'il n'y a pas de prise du faisceau de commutateur de capot sur le faisceau existant du véhicule, utiliser le faisceau fourni dans la trousse.
8. À partir du sommet du support de montage, enfoncer le commutateur de capot entrouvert dans le trou de montage jusqu'à ce que les languettes intégrées au loquet du commutateur se verrouillent en place.

REMARQUE: S'il existe un faisceau de commutateur de capot entrouvert et qu'il est utilisé pour la connexion, passer aux étapes 844 et 6668.

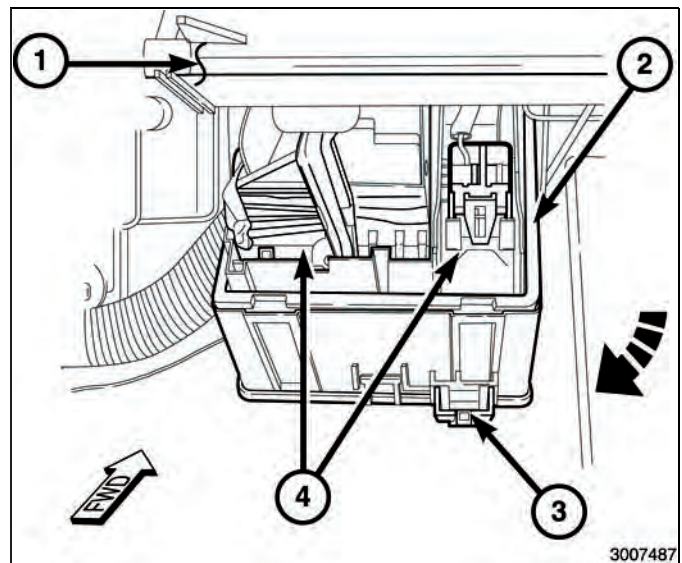
9. Déposer les pièces de retenue à poussoir de la plaque isolante du tableau de bord (1) et déposer la plaque isolante (2) à partir du dessous de la boîte à gants.



10. Ouvrir la porte de la boîte à gants.
11. Appuyer sur les côtés du compartiment boîte à gants (1) et abaisser la porte.
12. Débrancher la sangle de retenue et le faisceau de voyants DEL.
13. Tourner la boîte à gants vers le bas et dégager les crochets de charnière du tableau de bord.
14. Retirer la boîte à gants (1).

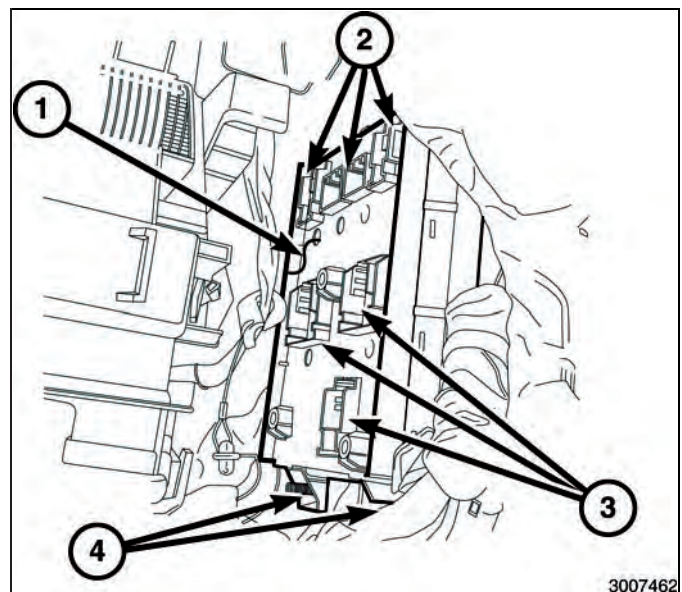


15. Dégager l'agrafe (3) et positionner l'ensemble de boîtier à fusibles (2).
16. Débrancher les connecteurs électriques (4) du boîtier à fusibles (2).
17. Pousser le boîtier à fusibles (2) vers le bas et à l'intérieur vers le plancher. La partie supérieure du boîtier à fusibles se déplacera vers l'arrière et se dégagera de la voie de roulement.



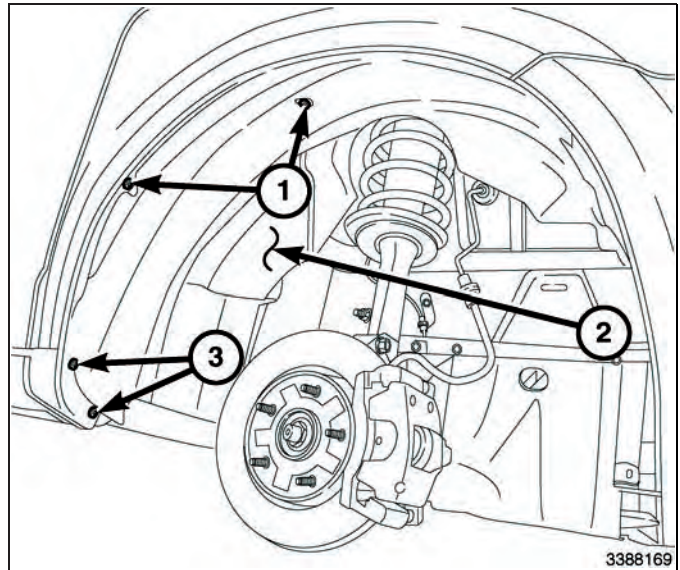
REMARQUE: Pour faciliter le réinstallation, marquer les connecteurs/faisceaux de câblage à brancher à partir du module confort/comforté (BCM) (1).

18. Débrancher les connecteurs électriques du module confort/comforté (module BCM) (1).
19. Déposer les deux pièces de fixation (4) en bas du module confort/comforté (module BCM).
20. Tirer le module confort/comforté (module BCM) du tablier latéral et vers le bas pour le déposer.

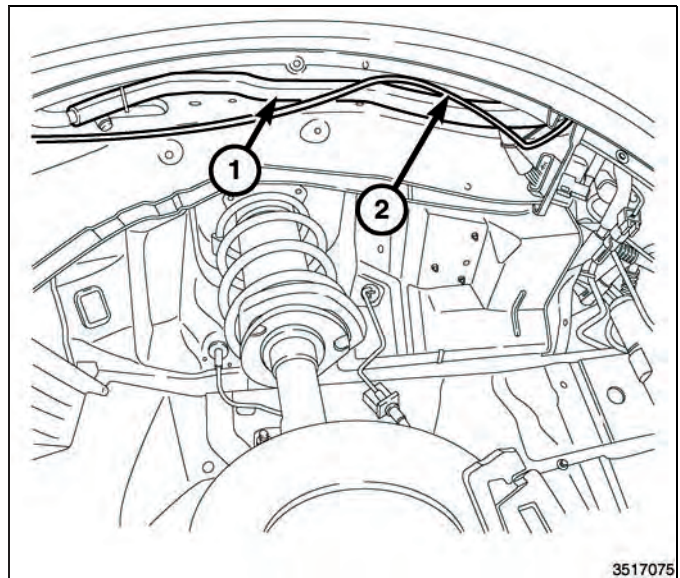


REMARQUE: Ne pas retirer les deux rivets en plastique (3) à l'arrière du bouclier de passage de roue (2).

21. Déposer les douze attaches-poussoirs du bouclier du passage de roue avant droit (1).
22. Abaisser l'avant du bouclier (2) (sans le déposer complètement) afin d'accéder au faisceau de câblage et au passacâble du faisceau de câblage à l'arrière du passage de roue.



23. Brancher le connecteur de faisceau du module confort/comforté fourni dans la trousse (3) au connecteur de faisceau du phare antibrouillard.
24. Acheminer le faisceau du module confort/comforté / phare antibrouillard (2) au faisceau du véhicule (1) vers l'arrière du passage de roue.

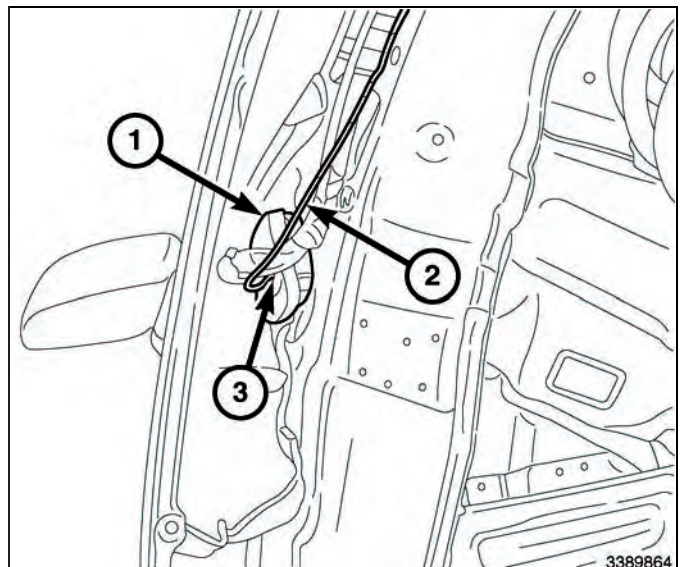


25. Débrancher le passacâble du faisceau de câblage de carrosserie (1) de la carrosserie.

REMARQUE: Le passacâble est un passacâble à deux côtés muni de caoutchouc à l'intérieur du côté du véhicule et à l'extérieur du véhicule. S'assurer de percer tout le long des deux côtés. Prendre soin de ne pas compromettre le faisceau de câblage du moteur lorsque l'on perce le passacâble. Une fois le fil de démarrage à distance complètement posé et fixé, appliquer de l'enduit d'étanchéité à vulcanisation à température ambiante sur la zone percée dans le passacâble.

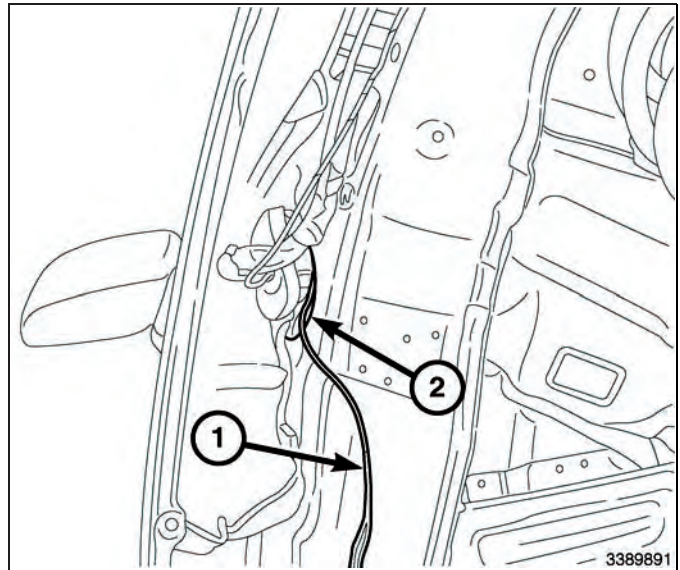
REMARQUE: Prendre soin de ne pas endommager le faisceau ou les bornes lorsque l'on perce le passacâble ou lorsque l'on fait passer le câble dans le passacâble.

26. Percer (3) le passacâble (1) et faire passer le faisceau de câblage du module confort/comforté fourni dans la trousse (2) à travers le passacâble (1) à partir de l'extérieur.

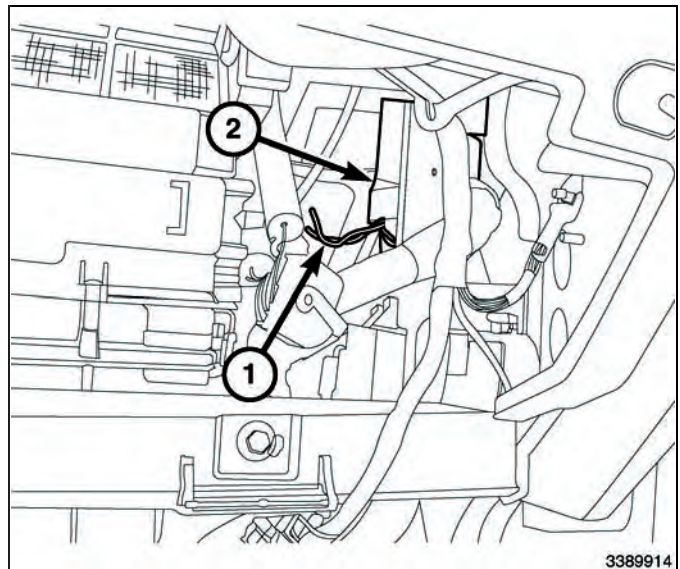


REMARQUE: Le trou d'accès intérieur à la carrosserie est légèrement en arrière du trou d'accès au passacâble (2), et possède un isolant à l'intérieur du véhicule qui couvre le trou. Le faisceau de câblage du module confort/comforté (1) peut être poussé au-delà du bord avant de l'isolant et dans le compartiment passager.

27. Accéder au trou d'accès au passacâble (2) et faire passer les fils de surplus du faisceau de câblage du module confort/comforté (1) à travers le trou d'accès intérieur à la carrosserie (non illustré, à l'intérieur du trou d'accès au passacâble (2)) pour brancher les connecteurs du module confort/comforté à l'intérieur du véhicule.

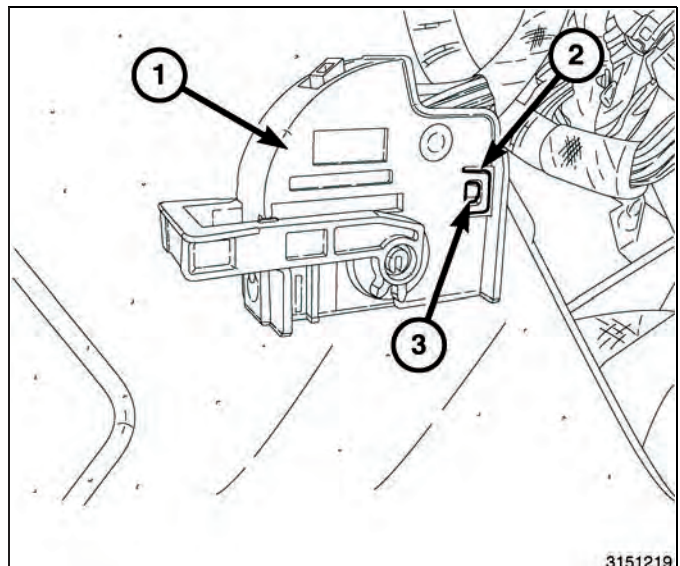


28. En avant du support du module confort/comforté (BCM) (2), localiser le fil du faisceau de démarrage à distance fourni dans la trousse (1) et le tirer suffisamment pour l'insérer dans le connecteur du module confort/comforté (BCM) .

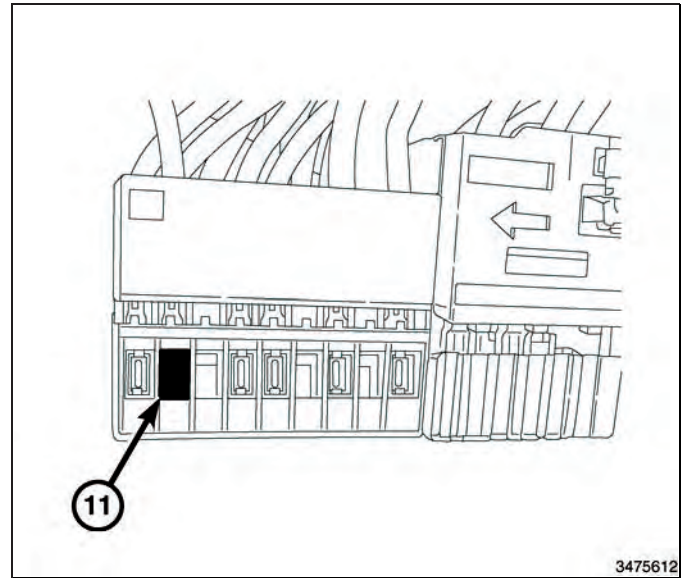


REMARQUE: Le couvercle du connecteur pourrait être posé sur le mauvais connecteur et les couvercles sont clavetés pour être utilisés seulement dans le bon réceptacle du module.

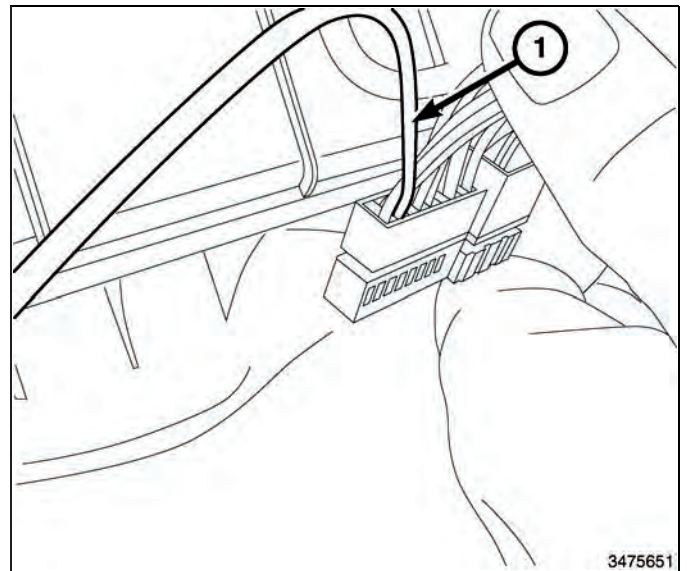
29. Obtenir le connecteur marqué "A" et à l'aide d'une baguette de garnissage ou d'un outil équivalent, l'insérer avec précaution entre le loquet de couvercle de connecteur (2) et la languette de verrouillage (3) pour dégager, pour faire glisser le boîtier du connecteur (1) hors du connecteur.



30. Localiser la cavité onze (11) sur le connecteur.

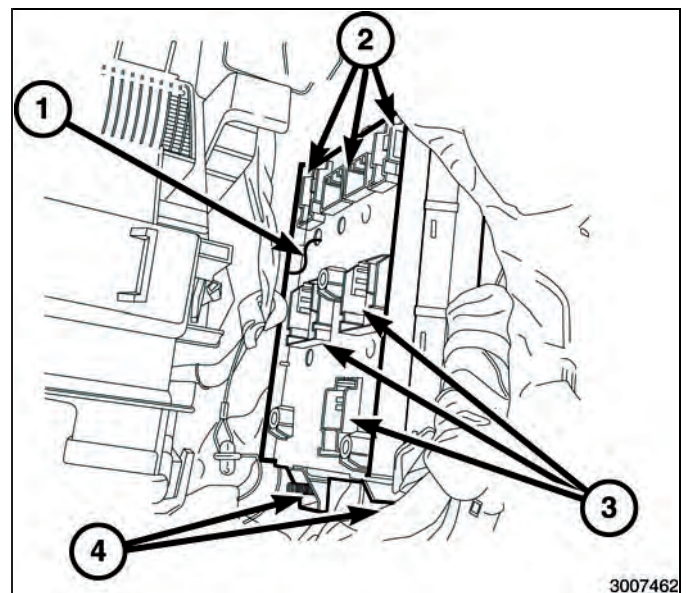


31. Insérer la broche du faisceau de commutateur de capot entrouvert (1) dans la cavité onze .

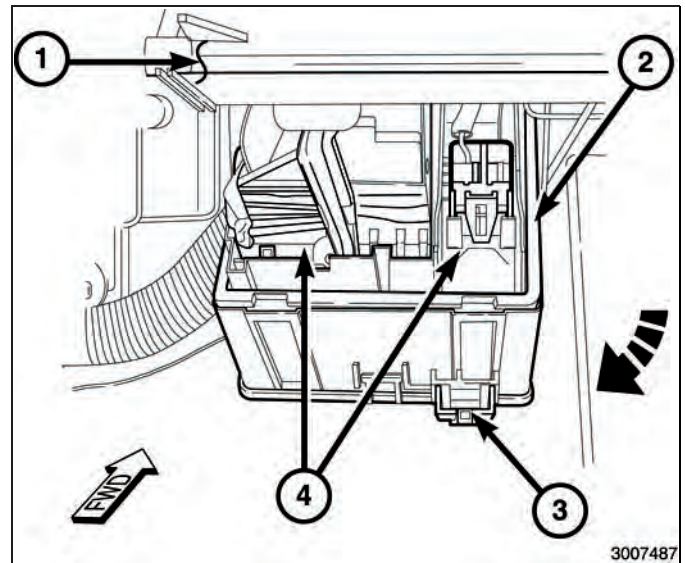


32. Positionner le module confort/commodité (1), et poser les deux pièces de fixation (4).

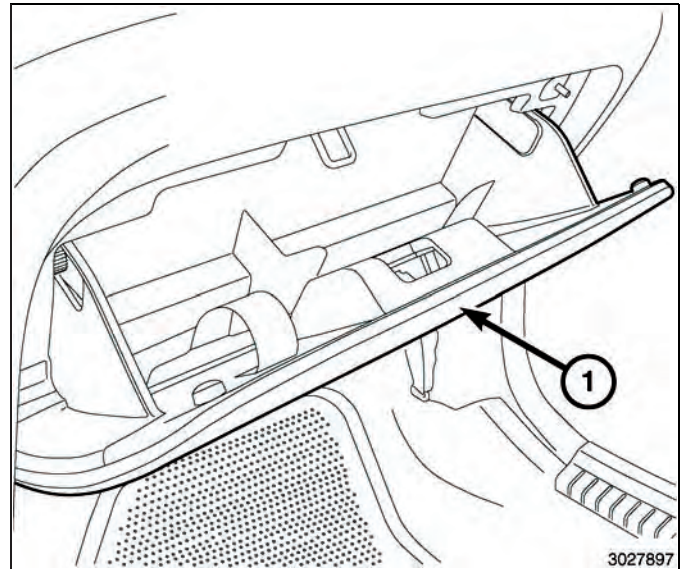
33. Brancher les connecteurs électriques au module confort/commodité (1).



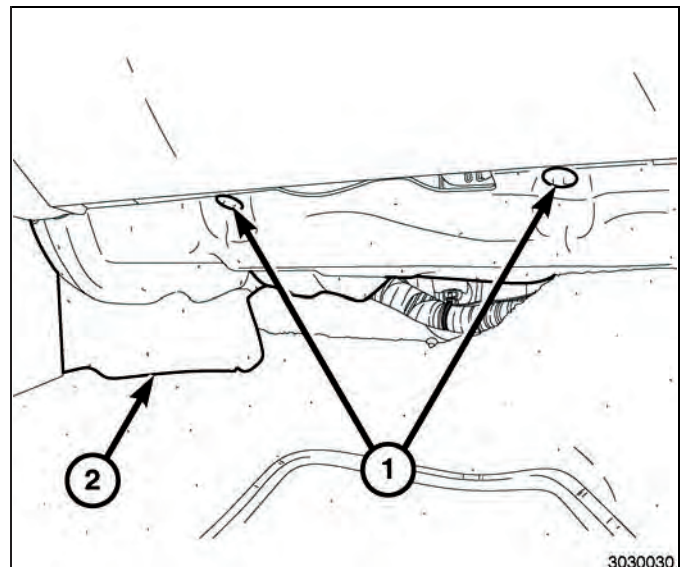
34. Positionner le boîtier à fusibles (2) dans la voie de roulement du support de fixation.
35. Brancher les connecteurs électriques (4) au boîtier à fusibles.
36. Soulever et mettre en place l'ensemble de boîtier à fusibles et enclencher l'agrafe (3).



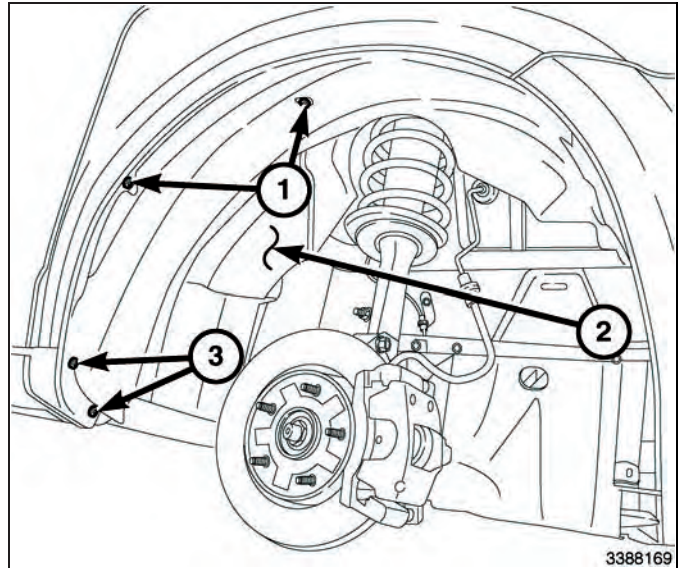
37. Mettre en place la boîte à gants (1), enclencher les crochets de charnière dans le tableau de bord et faire tourner la boîte à gants (1) vers le haut.
38. Brancher la sangle de retenue et le faisceau de voyants DEL.
39. Appuyer sur les côtés du compartiment boîte à gants (1) et enclencher l'ensemble de boîte à gants dans le tableau de bord.
40. Fermer la porte de la boîte à gants.



41. Positionner la plaque isolante (2) sur le tableau de bord et poser les pièces de retenue à pousser (1).

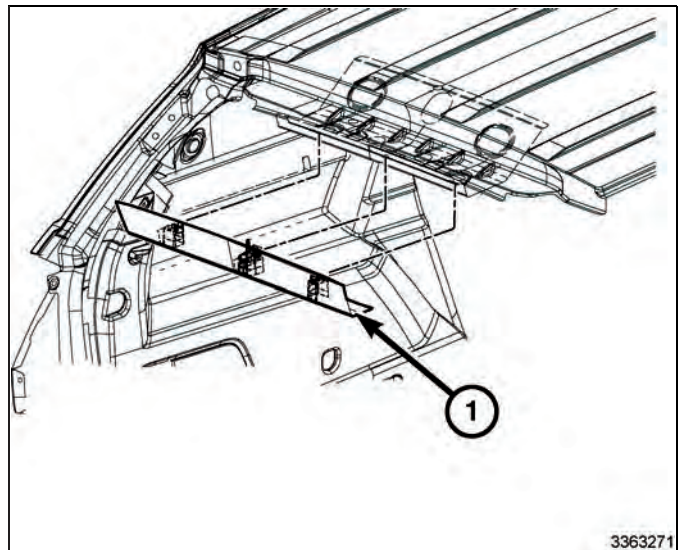


42. Placer le bouclier du passage de roue avant droit et poser les douze attachespoussoirs (1).
43. Poser la roue.
44. Baisser le véhicule.



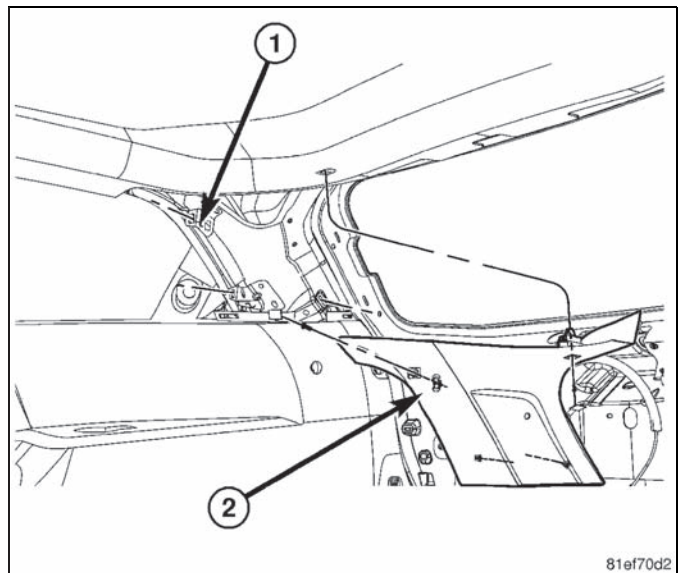
REMARQUE: Hayon déposé pour plus de clarté.

45. Ouvrir le hayon.
46. Au besoin, enlever une partie du caoutchouc d'étanchéité supérieur du hayon.
47. Déposer le panneau de garnissage du collecteur arrière (1) en le tirant vers le bas.

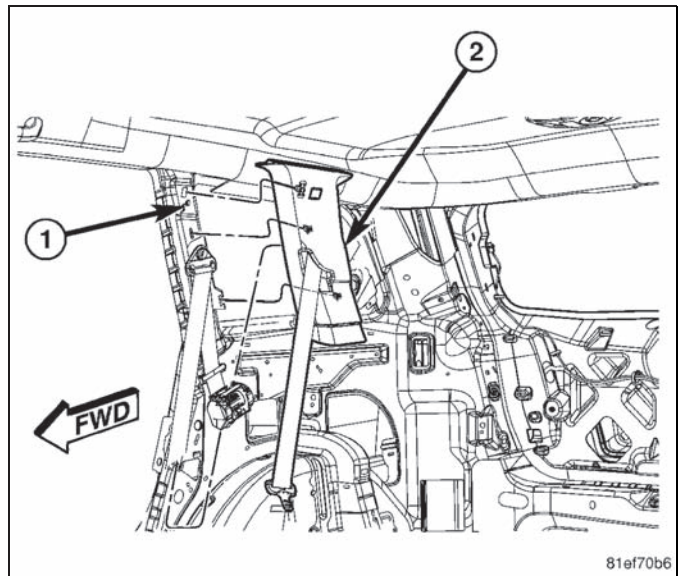


REMARQUE: Utiliser une chandelle pour maintenir la garniture de toit en place.

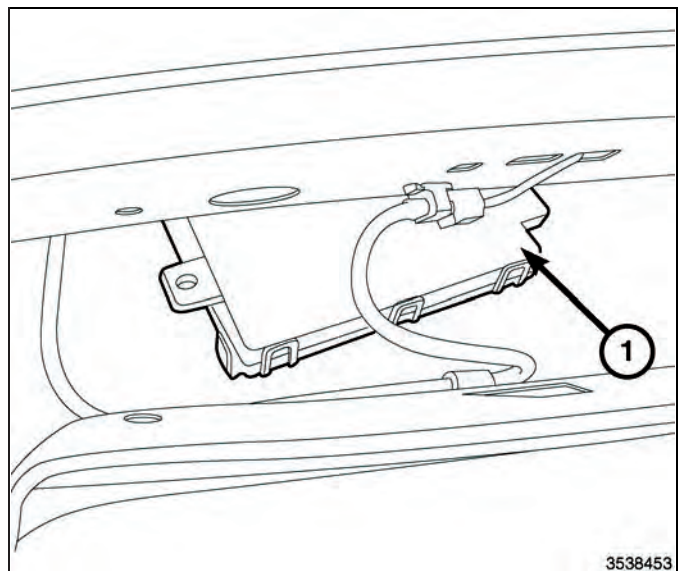
48. Déposer le couvercle du trou d'accès du montant D et déposer l'attache de montage.
49. À l'aide d'une baguette de garnissage, faire précautionneusement levier sur le montant D pour dégager les agrafes de retenue.
50. Déposer le montant D (2) du véhicule.
51. Répéter les étapes de dépose du montant D sur le côté opposé.



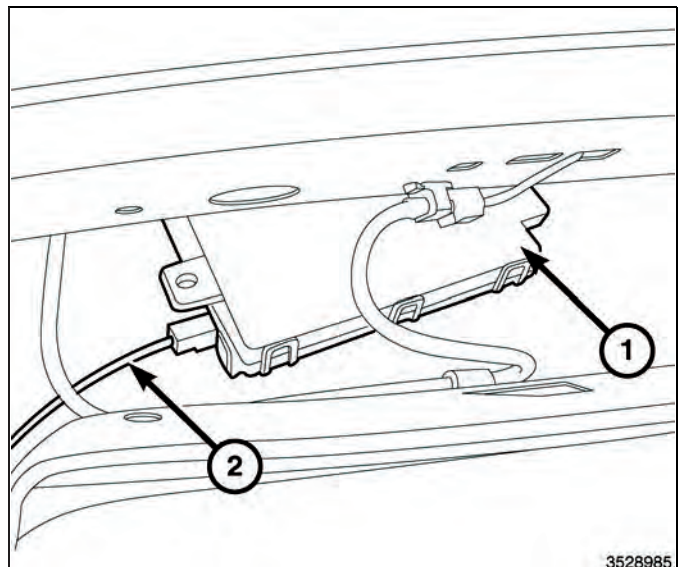
52. Déposer le couvercle du trou d'accès du montant C supérieur et déposer l'attache de montage.
53. À l'aide d'une baguette de garnissage, faire précautionneusement levier sur le montant C supérieur (2) pour dégager les agrafes de retenue.
54. Déposer le montant C supérieur (2) du véhicule.
55. Répéter les étapes de dépose du montant C sur le côté opposé.



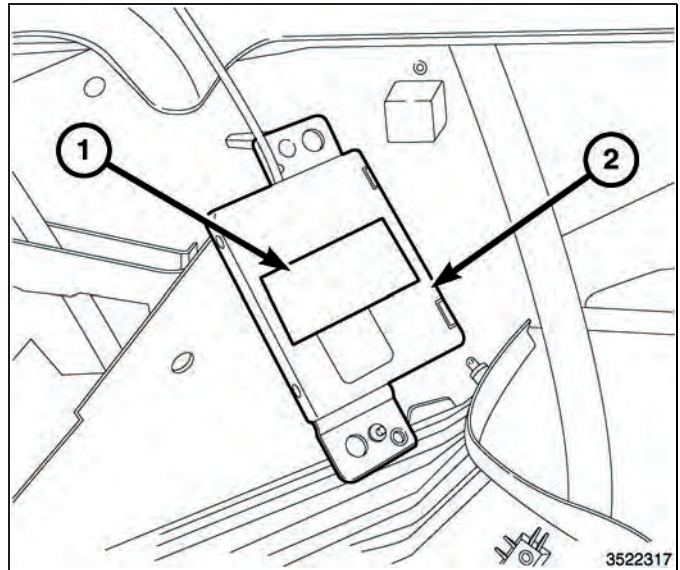
56. En regardant vers l'arrière du véhicule, abaisser légèrement la garniture de toit. **Prendre soin de ne pas endommager la garniture de toit.**
57. Déposer les attaches fixant le module de concentrateur RF (1) situées sur le bord avant du collecteur arrière.
58. Débrancher le faisceau du véhicule du module de concentrateur RF (1) et mettre le module au rebut.



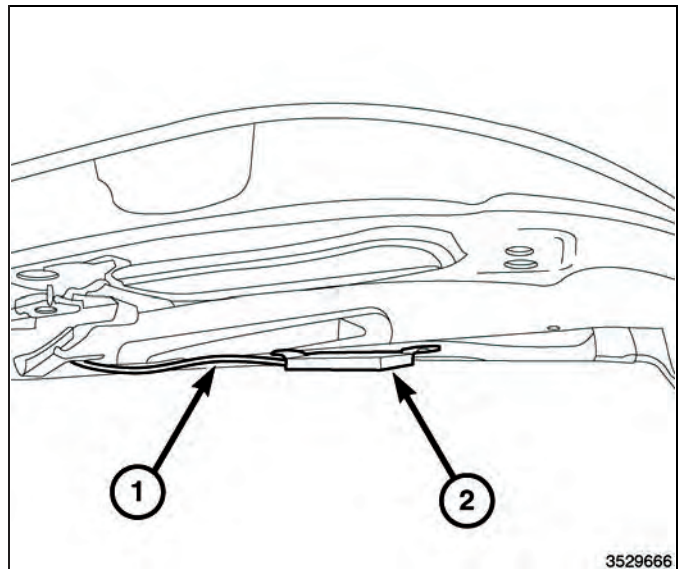
59. Obtenir le module de concentrateur RF fourni dans la trousse (1) et l'antenne de démarrage à distance, brancher le faisceau du véhicule et le faisceau de l'antenne (2).
60. Placer le concentrateur RF (1) et poser les attaches qui le fixent. Serrer solidement les pièces d'attache.
61. Acheminer l'antenne de démarrage à distance (2) vers le côté passager arrière du véhicule. **S'assurer que l'antenne de démarrage à distance est placée à un endroit où elle n'entrera en contact avec aucune pièce lorsque la garniture de toit est réinstallée.**



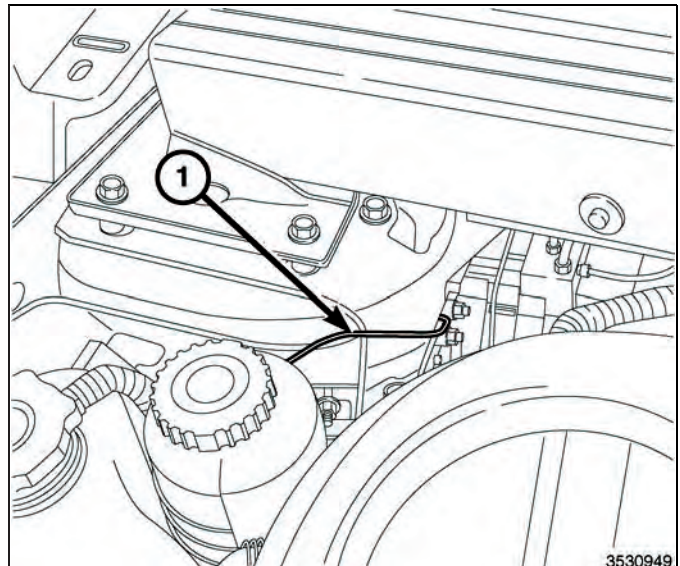
62. Utiliser le ruban adhésif fourni dans la trousse (1), re tirer un côté du doit adhésif et le placer sur le centre de l'antenne (2) où se trouve l'étiquette.
63. Appuyer fermement sur le ruban (1) pendant 30 sec ondes.



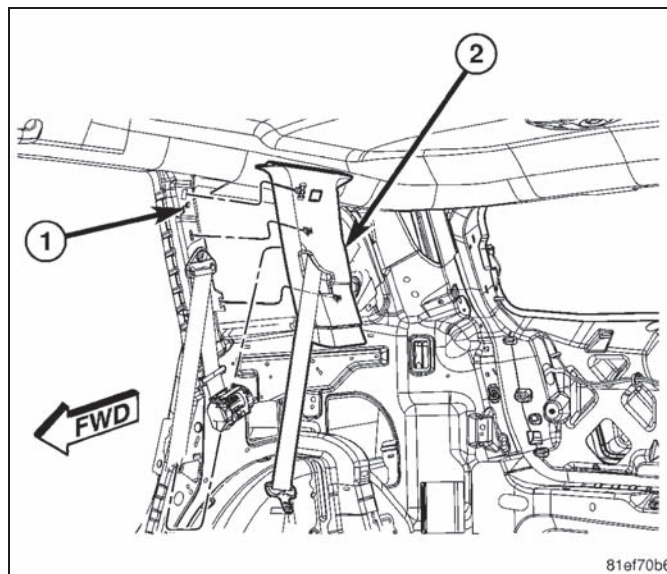
64. Enlever le côté restant du dos adhésif et placer l'antenne de démarrage à distance sur une surface plane de la garniture de toit, juste en avant du collecteur arrière. **Les languettes de l'antenne de démarrage à distance doivent être orientées vers le haut lorsque l'antenne est posée.**
65. Attacher le faisceau de l'antenne de démarrage à dis tance (1) à la garniture de toit avec du ruban de floc ou un produit équivalent.



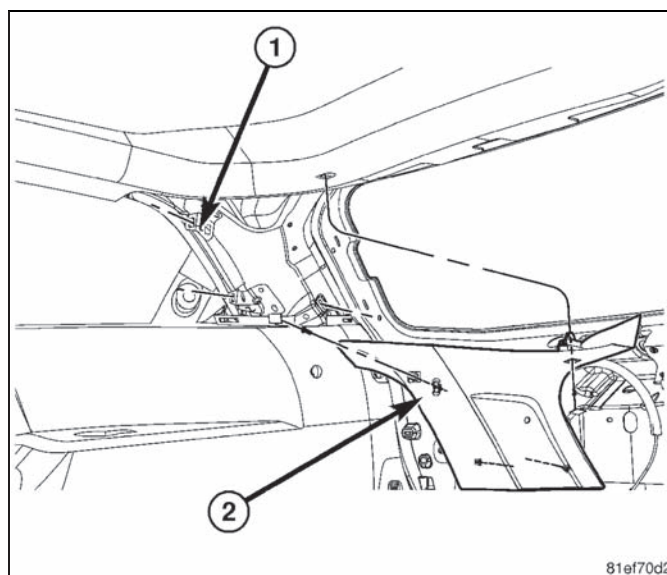
66. Dans le compartiment moteur, acheminer la portion de fil de masse (1) du faisceau de démarrage à dis tance derrière le vase de récupération de liquide de refroidissement vers le bloc de mise à la terre, der rière le vase.
67. Déposer l'écrou de retenue du goujon de masse, at tacher l'oeillet de masse et poser l'écrou de retenue du goujon de masse.
68. Attacher le faisceau (1) avec les attaches à glissière fournies dans la trousse.



69. Soulever la garniture de toit et le soutenir avec une chandelle.
70. Mettre en place le garnissage du montant C supérieur (2).
71. Engager fermement les agrafes de retenue au montant C.
72. Poser l'attache de montage et le couvercle de trou d'accès.
73. Répéter les étapes de pose de montant C supérieur sur le côté opposé.

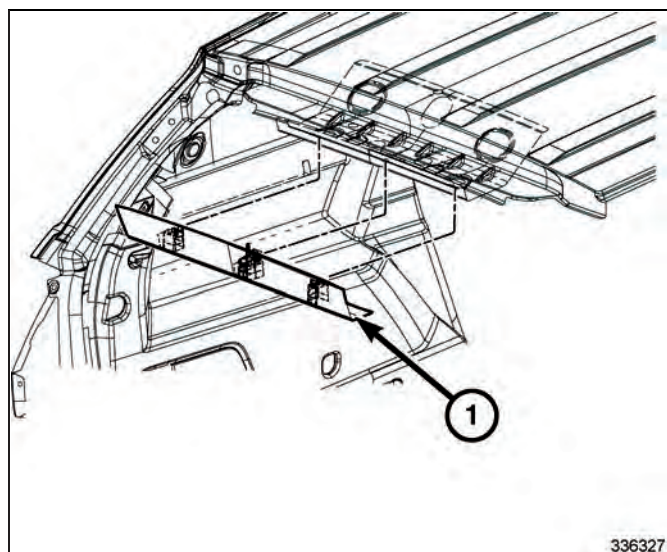


74. Mettre en place le garnissage du montant D (2).
75. Engager fermement les agrafes de retenue du garnissage du montant D.
76. Poser les attaches de montage et les couvercles de trous d'accès.
77. Répéter les étapes de pose de montant D sur le côté opposé.
78. Retirer la chandelle de la garniture de toit.



REMARQUE: Hayon déposé pour plus de clarté.

79. Placer la panneau de garnissage de collecteur arrière (1). Tapoter à la main pour le poser.
80. Réinstaller le caoutchouc d'étanchéité supérieur du hayon s'il a été déposé.
81. Fermer le hayon.
82. Rebrancher le câble négatif de la batterie.



Programmation de la clé FOBIK

REMARQUE: Le niveau du logiciel wiTECH doit se situer à la plus récente édition pour exécuter cette procédure.

ATTENTION: Lire toutes les notes et les mises en garde relatives aux procédures de programmation.

REMARQUE: Ne pas mettre d'ordinateur portable ou tout autre appareil sans fil (téléphone cellulaire, appareil audio, etc.) sur le sommet ou près de la console centrale. L'antenne RF se trouve en dessous de la console.

REMARQUE: Lors de la programmation d'une clé FOB/K, la tenir près ou sur le sommet de la console centrale.

REMARQUE: À la commande "Appuyer sur la touche de déverrouillage", il est important de ne pas maintenir la touche enfoncée. Appuyer sur la touche rapidement une fois.

1. Brancher un chargeur de batterie au véhicule.
2. À l'aide de la fonction de diagnostic wiTECH, exécuter les étapes suivantes :
 - Sélectionner "Concentrateur de radio fréquence (CRF)"
 - Tourner la clé de contact à la position Arrêt/Verrouillage. Sur les véhicules dotés de concentrateur RF, la clé de contact doit être laissée à la position Arrêt tout au long de cette procédure.
 - Sélectionne l'onglet « MISCELLANEOUS FUNCTIONS »
 - Mettre en évidence "Programmer les clés FOB/K"
 - Sélectionner « CONTINUE »
 - Noter les instructions qui apparaissent à l'écran et sélectionner le bouton « FINISH »
 - Effectuer le cycle de clé de contact après avoir terminé la routine avec succès.

REMARQUE: Un maximum de huit clés peuvent être programmées par le concentrateur RF.

Programmation du concentrateur de radio fréquence (Concentrateur RF)

REMARQUE: Le niveau du logiciel wiTECH doit se situer à la plus récente édition pour exécuter cette procédure.

ATTENTION: Lire toutes les notes et les mises en garde relatives aux procédures de programmation.

REMARQUE: Avoir le NIP du véhicule à portée de la main avant de lancer la routine.

1. Brancher un chargeur de batterie au véhicule.
2. À l'aide de la fonction de diagnostic wiTECH, exécuter les étapes suivantes :
3. Mettre la clé de contact à la position Marche.
 - Sélectionner "Concentrateur de radio fréquence (CRF)"
 - Sélectionne l'onglet « MISCELLANEOUS FUNCTIONS »
 - Mettre en évidence "Remplacer le concentrateur RF"
 - Sélectionne le bouton « Start Misc Function »
 - Sélectionner "SUIVANT"
 - Entrer le NIP à l'invite.
 - Sélectionner "SUIVANT"
 - S'assurer que le numéro de NIP est correct.
 - Une fois la vérification faite, sélectionner « NEXT »
 - Sélectionner "SUIVANT"
 - Noter les instructions qui apparaissent à l'écran et sélectionner le bouton « FINISH »
 - Effectuer le cycle de clé de contact après avoir terminé la routine avec succès.

RÉINITIALISATION DE L'ECU

REMARQUE: Le niveau du logiciel wiTECH doit se situer à la plus récente édition pour exécuter cette procédure.

ATTENTION: Lire toutes les notes et les mises en garde relatives aux procédures de programmation.

1. Brancher un chargeur de batterie au véhicule.
2. À l'aide de la fonction de diagnostic wiTECH, exécuter les étapes suivantes :
 - Sélectionner l'onglet « DIAGNOSTIC PROCEDURES ».
 - Mettre en surbrillance « RESET ECU »
 - Sélectionner « RADIO FREQUENCY MODULE (RFH) »
 - Noter les instructions qui apparaissent à l'écran et sélectionner le bouton « NEXT »
 - Sélectionner "FINISH" (terminé).

ÉTALONNAGE DE LA GLACE

REMARQUE: Le niveau du logiciel wiTECH doit se situer à la plus récente édition pour exécuter cette procédure.

REMARQUE: Les glaces des véhicules dotés de la fonction de fermeture rapide doivent être étalonnées après un débranchement de la batterie.

REMARQUE: La porte doit être complètement fermée en exécutant cette étape.

1. S'asseoir dans le siège du conducteur et fermer la porte.
2. Abaisser légèrement la glace.
3. Fermer la glace complètement et laisser la commande enfoncée deux secondes additionnelles.
4. Ouvrir complètement la glace et garder la commande enfoncée deux secondes additionnelles.
5. Fermer la glace en position complètement fermée.
6. Répéter ces étapes pour les autres glaces.

TEMPORARY REMOTE START DISABLE (DÉSACTIVATION TEMPORAIRE DU DÉMARRAGE À DISTANCE)

REMARQUE: Le niveau du logiciel wiTECH doit se situer à la plus récente édition pour exécuter cette procédure.

ATTENTION: Lire toutes les notes et les mises en garde relatives aux procédures de programmation.

1. Brancher un chargeur de batterie au véhicule.
2. À l'aide de la fonction de diagnostic wiTECH, exécuter les étapes suivantes :
 - Sélectionner "Module confort/comfort (BCM)"
 - Sélectionner l'onglet "Fonctions diverses"
 - Mettre en surbrillance et sélectionner « TEMPORARY REMOTE START DISABLE »
 - Noter les instructions qui apparaissent à l'écran et sélectionner le bouton « NEXT »
 - Sélectionner le bouton « DISABLE » pour actionner la fonction de démarrage à distance
 - Sélectionner « YES » pour remettre le module à zéro et quitter la routine, sélectionner « NO » pour basculer la valeur au point de départ.
 - Sélectionner "FINISH" (terminé).

SUPPRIMER TOUS LES CODE D'ANOMALIE

REMARQUE: La fonction de diagnostic wiTECH est la méthode préconisée pour effacer tous les codes d'anomalie.

REMARQUE: Le niveau du logiciel wiTECH doit se situer à la plus récente édition pour exécuter cette procédure.

ACTIVER LE DÉMARRAGE À DISTANCE

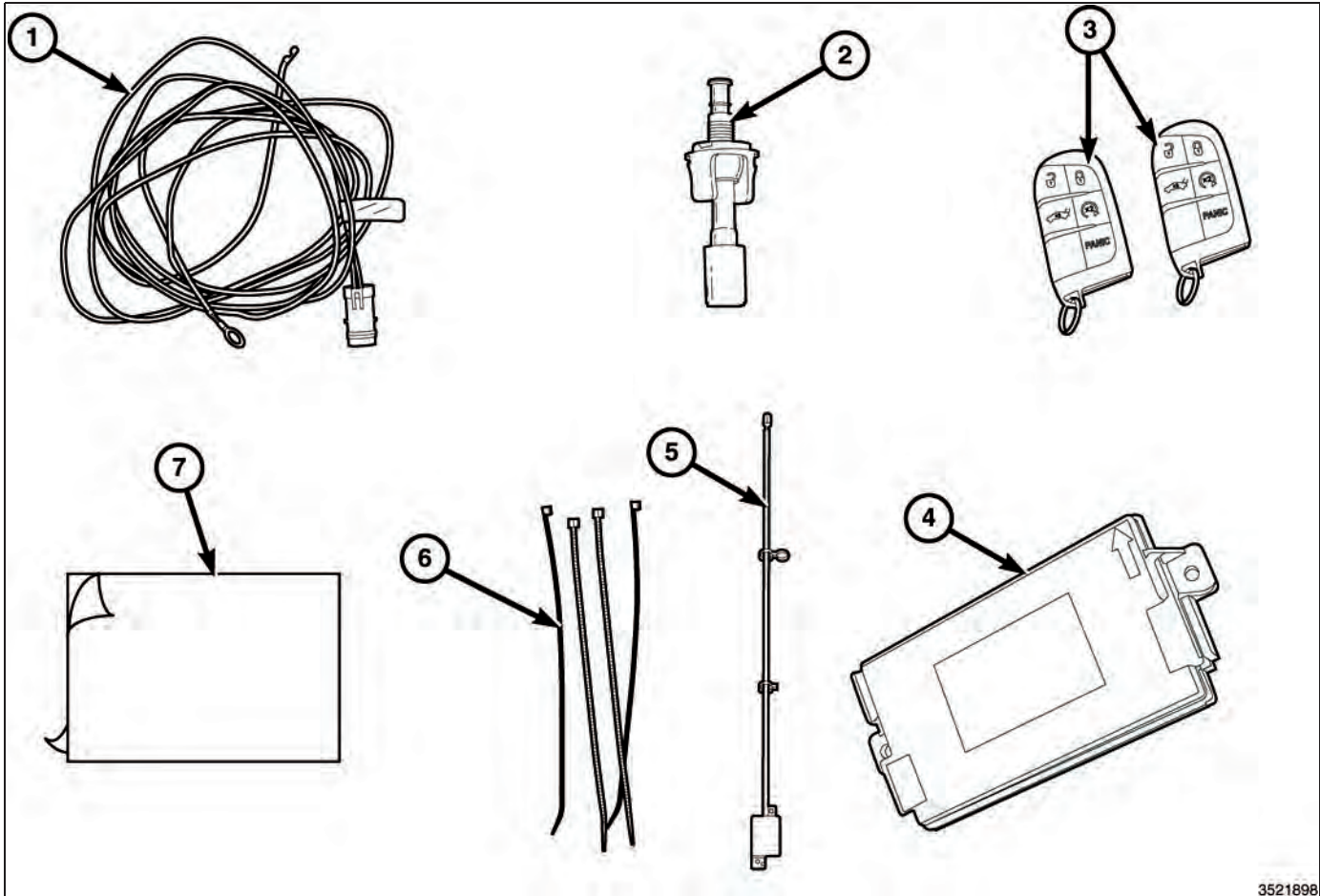
Pour activer le démarrage à distance, le véhicule doit être conduit à une vitesse d'au moins 35 KM/H

Lorsque le moteur est couplé, les portes fermées et verrouillées, vérifier si le démarrage à distance fonctionne correctement.



ARRANQUE REMOTO

DODGE JOURNEY



3521898

Elemento	DESCRIPCION	Cantidad
1	Mazo de cables del conmutador del capó	1
2	CONMUTADOR DE CAPO ENTREABIERTO	1
3	FOBIK	2
4	Módulo de núcleo de frecuencia de radio (núcleo RF)	1
5	ANTENA DE ARRANQUE REMOTO	1
6	Bridas	10
7	Cinta adhesiva (dos caras)	1

HERRAMIENTAS NECESARIAS

Varila de punta plana/fibra, pequeña herramienta de pico/palanca	Casquillos de 10 mm, 11 mm, 12 mm, T20 y T25, trinquetes con extensiones
Cinta flocada o equivalente	Sellante RTV o equivalente

NOTA: SE RECOMIENDA LEER ATENTAMENTE LAS INSTRUCCIONES ANTES DE MONTAR ESTE ACCESORIO.

PRECAUCIÓN: El sistema de arranque remoto XBM SÓLO puede montarse en vehículos que tengan las siguientes opciones de fábrica: transmisión automática, apertura a distancia e inmovilizador. El código de ventas XBM se debe añadir a la base de datos y se debe realizar la restauración de configuración del vehículo (con una herramienta de diagnóstico) antes de montar el nuevo módulo de núcleo de RF. De lo contrario, no estará operativa la función de arranque remoto del módulo de núcleo de RF. El técnico debe esperar 1/2 horas entre añadir el código de ventas XBM en DealerConnect antes de montar el módulo de núcleo de RF y restaurar la configuración del vehículo. En este periodo de tiempo, el técnico puede instalar todos los otros componentes excepto el módulo de núcleo de RF.

PASOS DEL PROCEDIMIENTO:

ACTUALIZACIÓN DE LA CONFIGURACIÓN DEL VEHÍCULO

NOTA: El nivel del software de wiTECH debe ser el de la última versión para realizar este procedimiento.

1. Para activar la funcionalidad del sistema, el VIN debe actualizarse con el código de venta del accesorio añadido. Con la página web de DealerCONNECT y la aplicación de diagnóstico wiTECH, complete la configuración del vehículo.
2. Conéctese a <https://dealerconnect.chrysler.com>.
3. En la pantalla de "Vehicle Option" (Opción del vehículo), en la categoría de "Global Claims System" (Sistema global de peticiones) en la pestaña "Service" (Servicio), introduzca el VIN del vehículo, el número pin de cuatro dígitos obtenido del departamento de piezas del distribuidor y añada los códigos de venta indicados a continuación como "Dealer Installed Option" (Opción montada por el distribuidor).

XBM (ARRANQUE REMOTO)

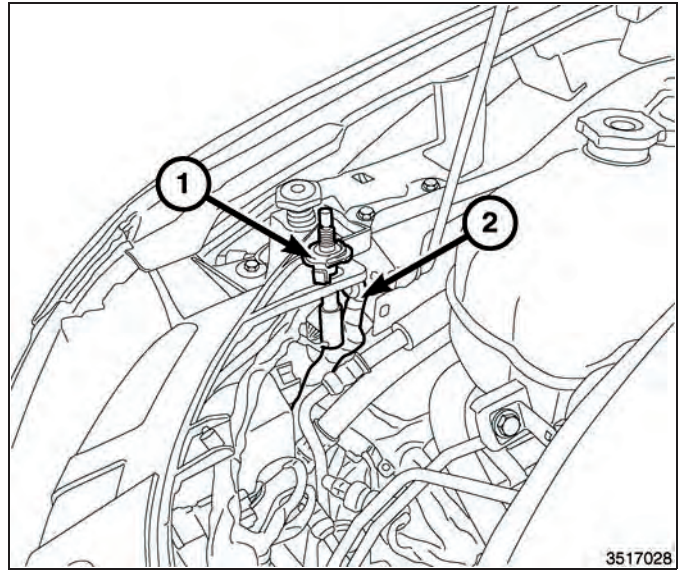
4. Asegúrese de que el nuevo código de ventas se haya añadido al VIN correctamente.
5. Con la herramienta de diagnóstico wiTECH, lleve a cabo los pasos siguientes incluidos en la pantalla de inicio:
 - Seleccione la pestaña "DIAGNOSTIC PROCEDURES" (Procedimientos de diagnóstico).
 - Seleccione "RESTAURAR CONFIGURACIÓN DEL VEHÍCULO"
 - Seleccione el botón "Run Diagnostic" (Ejecutar diagnóstico).
 - Seleccione "CONTINUE" (Continuar).
 - Compruebe que el número VIN del vehículo es correcto.
 - Una vez comprobado, seleccione el botón "Correct VIN" (VIN correcto).
 - Anote las instrucciones que aparecen en pantalla y seleccione el botón "Close" (Cerrar).

PASOS DEL PROCEDIMIENTO:

ADVERTENCIA: Para evitar lesiones graves o mortales, en los vehículos equipados con airbag, antes de intentar llevar a cabo cualquier diagnóstico o reparación de cualquier componente del volante de dirección, la columna de dirección, el airbag, el tensor del cinturón de seguridad, el sensor de impactos o el panel de instrumentos, desactive el sistema de seguridad suplementario (SRS). DESCONECTE Y AISLE EL CABLE NEGATIVO (MASA) DE LA BATERIA, A CONTINUACION ESPERE DOS MINUTOS HASTA QUE SE DESCARGUE EL CONDENSADOR DEL SISTEMA ANTES DE CONTINUAR CON LA DIAGNOSIS O EL SERVICIO. Esta es la única forma segura de inhabilitar el SRS. SI NO SE ADOPTAN LAS PRECAUCIONES NECESARIAS, PODRIA PRODUCIRSE UN DESPLIEGUE ACCIDENTAL DE AIRBAG.

1. Desconecte y aisle el cable negativo de la batería.
2. Localice la toma del mazo de cables del conmutador del capó (1) ubicado detrás del mazo de cables (2) enganchado con cinta al mazo de cables existente del vehículo.
3. Si el mazo de cables de la toma del conmutador del capó (1) está presente en el mazo de cables existente del vehículo, retire la cinta que fija el mazo de cables de la toma (1) del mazo de cables del vehículo.
4. Localice la ubicación de montaje del conmutador del capó en la aleta inferior del lado del conductor.
5. Coloque la abrazadera del conmutador de capó entreabierto (1) en el soporte del conmutador de capó entreabierto.

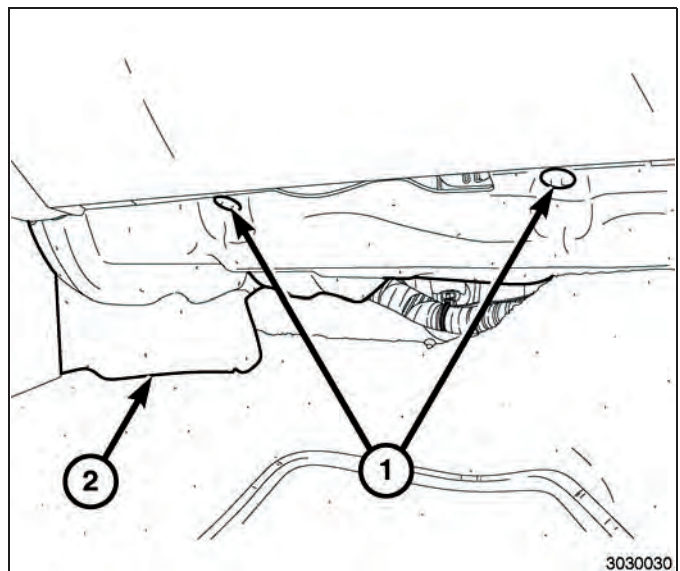
NOTA: El ajuste automático del conmutador de capó entreabierto es un dispositivo de un solo uso. Si el conmutador está dañado, defectuoso, desmontado o requiere reajuste, deberá reemplazarse por una unidad nueva.



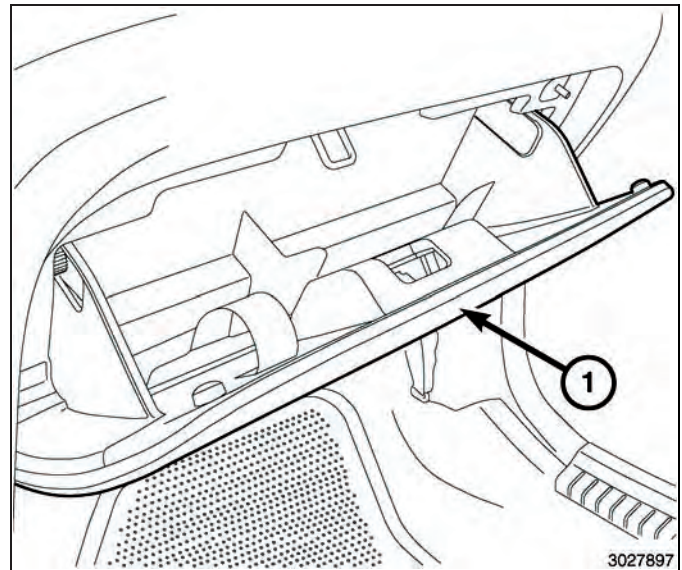
6. Coloque el soporte del conmutador de capó entreabierto (1) cerca del orificio en la abrazadera de montaje.
7. Tire del conector de mazo de cables de fábrica por el soporte de montaje del conmutador y conéctelo al conmutador de capó entreabierto (1). Si la toma de mazo de cables del conmutador del capó no está presente en el mazo de cables existente del vehículo, use el mazo de cables suministrado en el kit.
8. Desde la parte superior del soporte de montaje, presione el conmutador de capó entreabierto hacia abajo en el orificio de montaje del soporte hasta que las lengüetas del pestillo integrado del interruptor se bloqueen en su sitio.

NOTA: Si el mazo de cables de fábrica del conmutador de capó entreabierto está presente y se usa para la conexión, siga los pasos 844 y 6668.

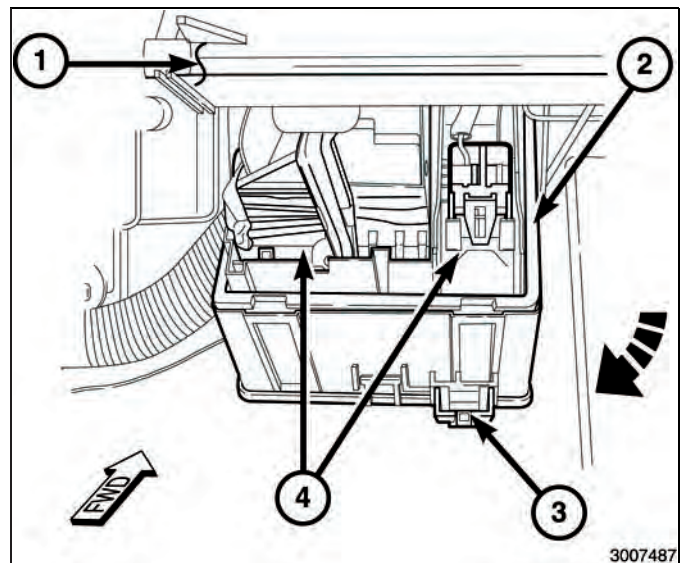
9. Retire los retenes de presión del silenciador del panel de instrumentos (1) y retire el silenciador (2) de la parte inferior de la guantera.



10. Abra la puerta de la guantera.
11. Presione ambos lados de la guantera (1) y baje la puerta.
12. Desconecte el fiador y el mazo de cables del LED.
13. Inclíne la guantera hacia abajo y desenganche los ganchos de las bisagras del panel de instrumentos.
14. Retire la guantera (1).

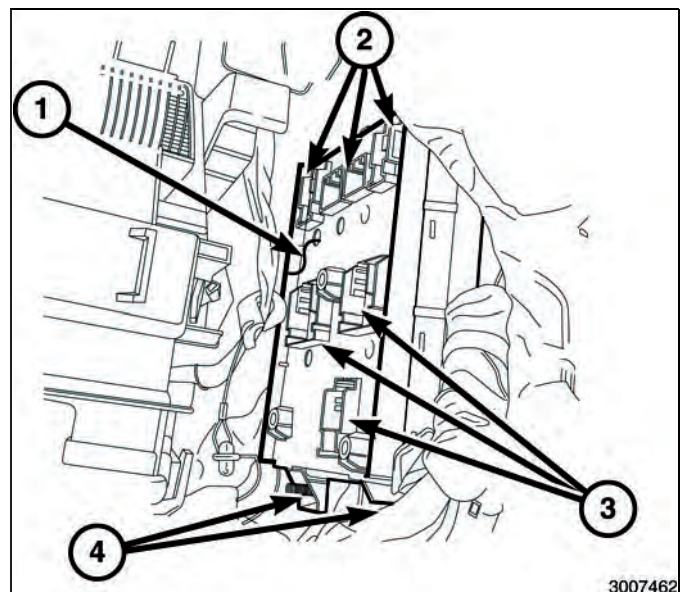


15. Suelte el clip (3) y desmonte el conjunto de la caja de fusibles (2).
16. Desenchufe los conectores eléctricos (4) de la caja de fusibles (2).
17. Empuje la caja de fusibles (2) hacia abajo y hacia dentro en dirección al suelo. La parte superior de la caja de fusibles retrocederá y se soltará.



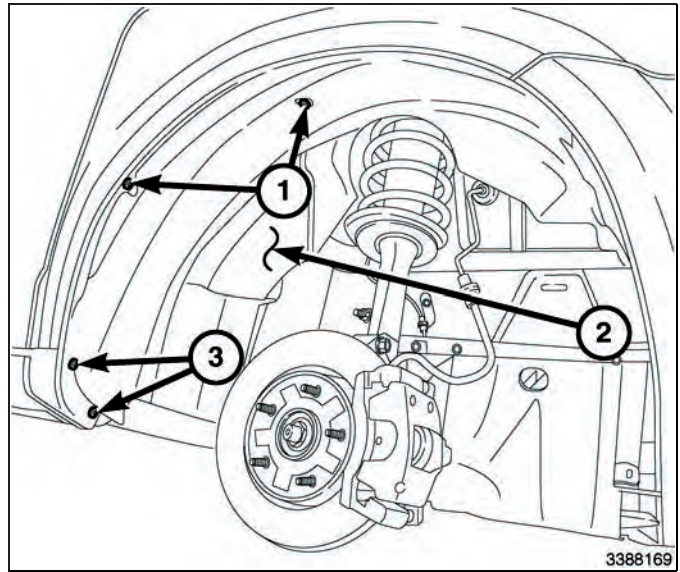
NOTA: Para que resulte más fácil volverlo a montar, etiquete los conectores/mazos de cables que se desconecten del módulo de control de la carrocería (1).

18. Desenchufe los conectores eléctricos del módulo de control de la carrocería (BCM) (1).
19. Retire los dos fijadores (4) de la parte inferior del BCM.
20. Extraiga el BCM de lateral de la mampara bajándolo.

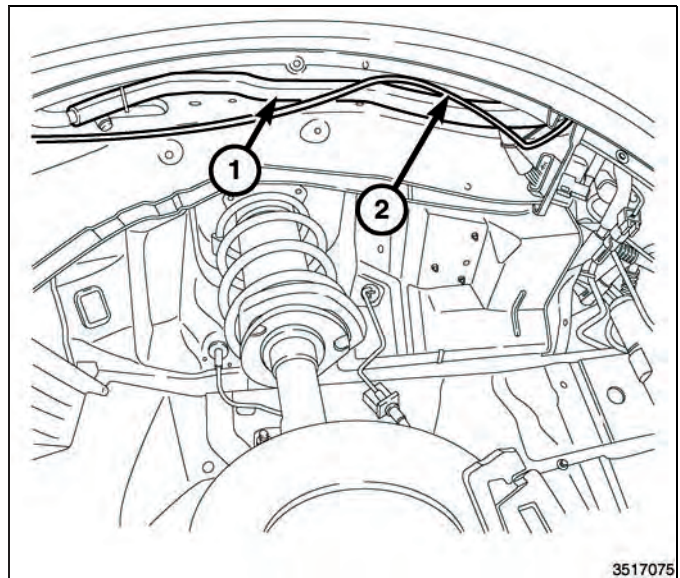


NOTA: No retire las dos lengüetas de plástico (3) en la parte posterior del guardabarros del paso de rueda (2).

21. Desmonte las doce presillas del protector contra salpicaduras del paso de rueda delantero derecho (1).
22. Tire de la parte frontal del guardabarros (2) hacia abajo (sin retirarlo totalmente) para obtener acceso al mazo de cables y a la arandela en la parte posterior del paso de rueda.



23. Enchufe el conjunto del conector del mazo de cables del BCM (3) al conector del mazo de cables del faro antiniebla.
24. Dirija el mazo de cables del faro antiniebla/BCM (2) con el mazo de cables del vehículo (1) hacia la parte trasera del paso de rueda.

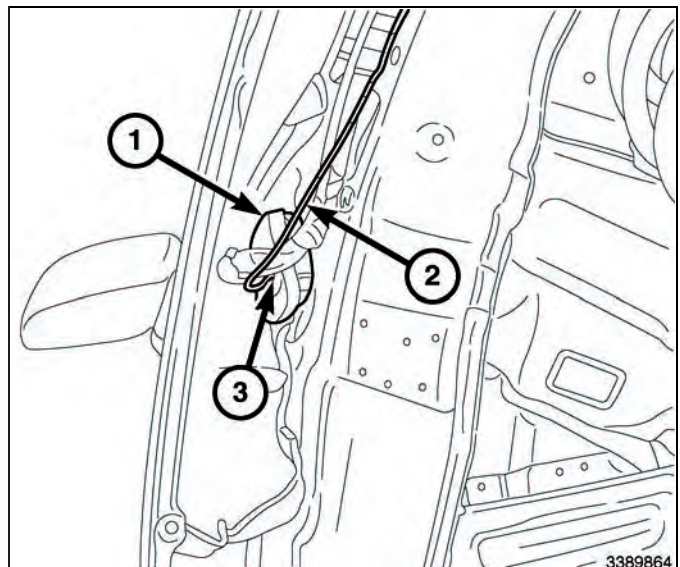


25. Desconecte la arandela del mazo de cables (1) de la carrocería.

NOTA: La arandela es una arandela de doble cara con goma en la parte interior y exterior del vehículo. Asegúrese de perforar completamente a través de ambos lados. Tenga cuidado de dañar el mazo de cables del motor cuando perfora la arandela. Después de montar y fijar completamente el cable de arranque remoto, aplique sellante RTV a la zona perforada en la arandela.

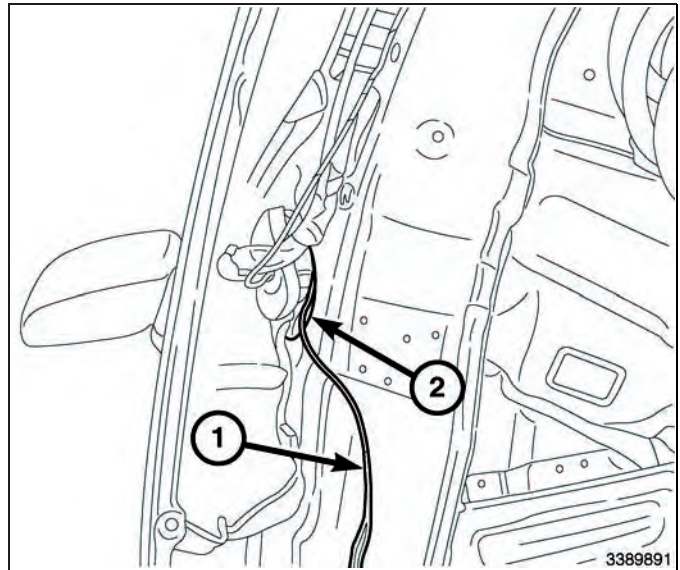
NOTA: Tenga cuidado de no dañar el mazo de cables ni los terminales cuando perfora la arandela o pase el mazo de cables por la arandela.

26. Perfore (3) la arandela (1) y dirija el conjunto del mazo de cables del BCM (2) por la arandela (1) desde la parte exterior.

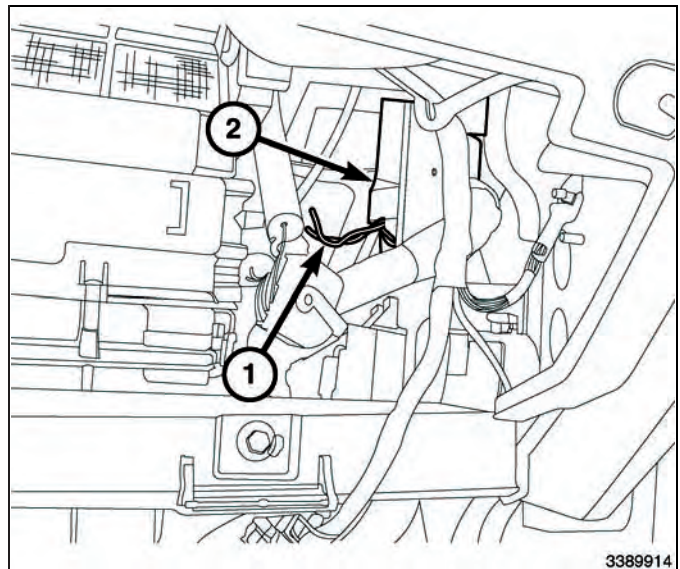


NOTA: El orificio de acceso al interior de la carrocería se encuentra detrás del orificio de acceso de la arandela (2), y está cubierto en el interior del vehículo. El conjunto del mazo de cables del BCM (1) se puede pasar por el orificio hasta el compartimiento del pasajero.

27. Acceda al orificio de acceso de la arandela (2) y pase los cables sueltos del conjunto del mazo de cables del BCM (1) por el orificio de acceso al interior de la carrocería (no aparece, orificio de acceso de la arandela (2)) para enchufar los conectores BCM al interior del vehículo.

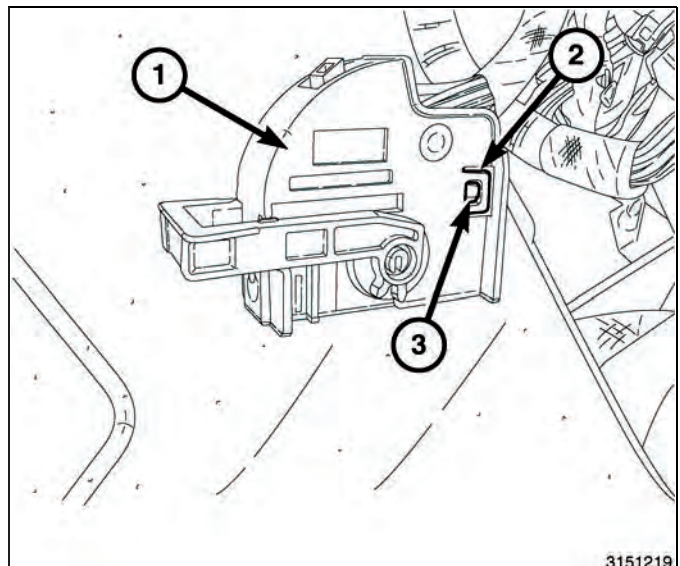


28. En la parte delantera del soporte del BCM (2), localice el cable de mazo de cables de arranque remoto del kit (1) e introdúzcalo lo suficiente para meterlo en el conector del BCM.

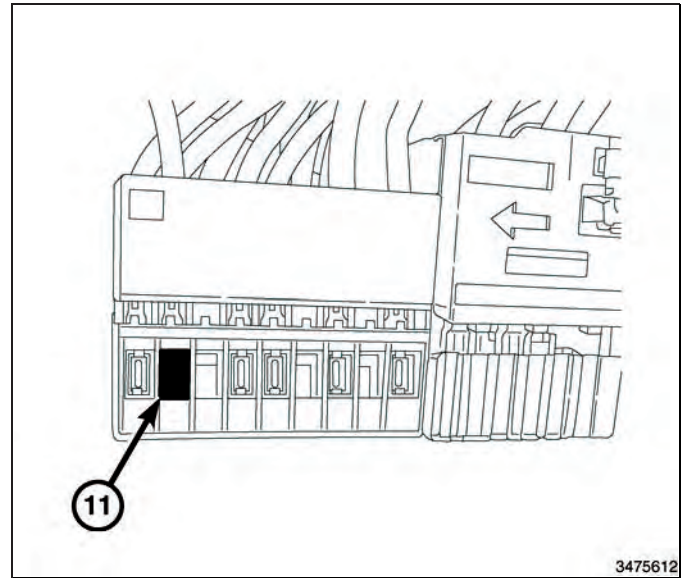


NOTA: La cubierta del conector se puede montar en el conector incorrecto y, por ese motivo, las cubiertas están enchavetadas para que solo se puedan usar en el receptáculo de módulo correcto.

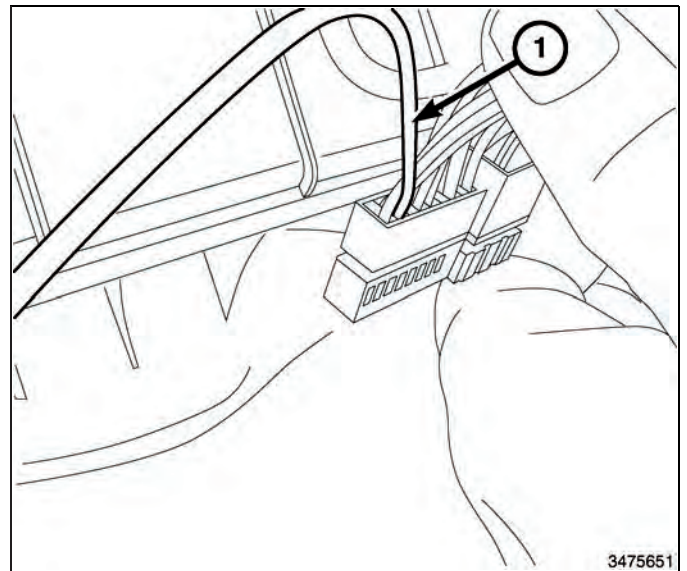
29. Consiga el conector etiquetado con "A" e introduzca una varilla de punta plana o equivalente con cuidado entre el pestillo de la cubierta del conector (2) y la lengüeta de bloqueo (3) para soltarla, y luego deslice el alojamiento del conector (1) fuera del conector.



30. Localice la cavidad once (11) en el conector.

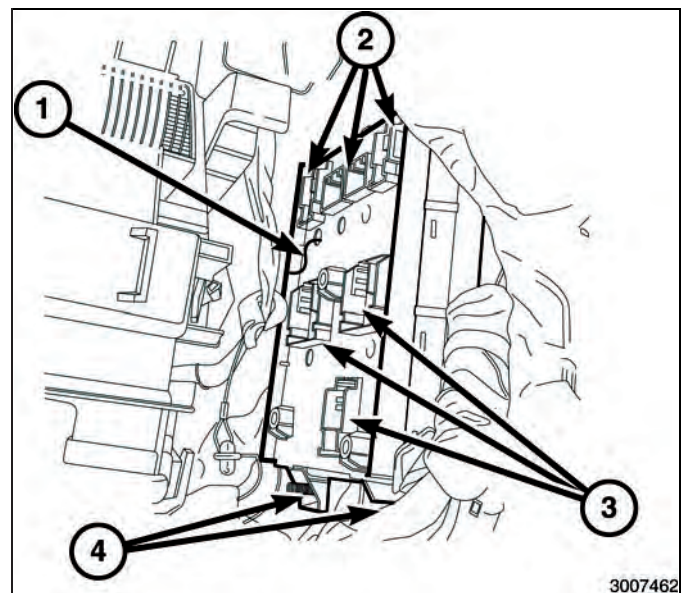


31. Introduzca/lleve la clavija del mazo de cables del conmutador de capó entreabierto (1) en la cavidad número once.

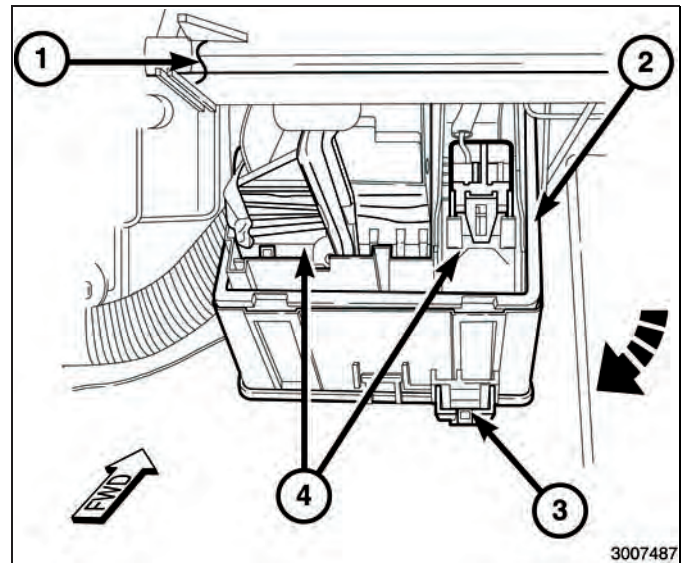


32. Coloque el BCM (1) e instale los dos pasadores (4).

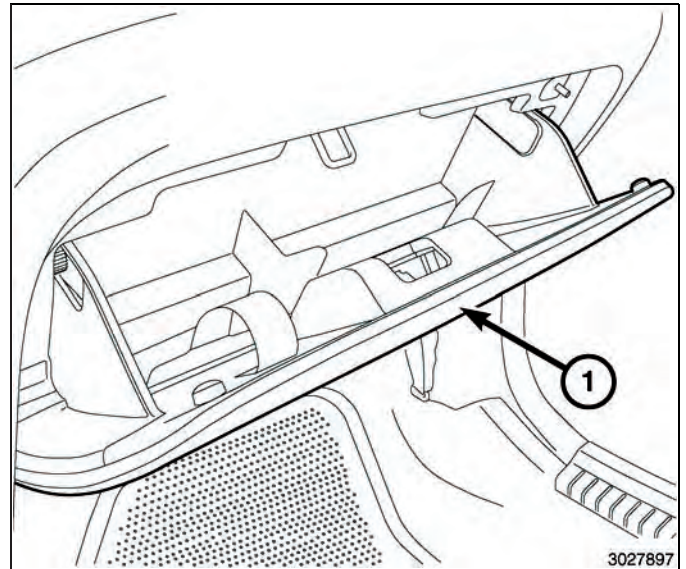
33. Enchufe los conectores eléctricos al BCM (1).



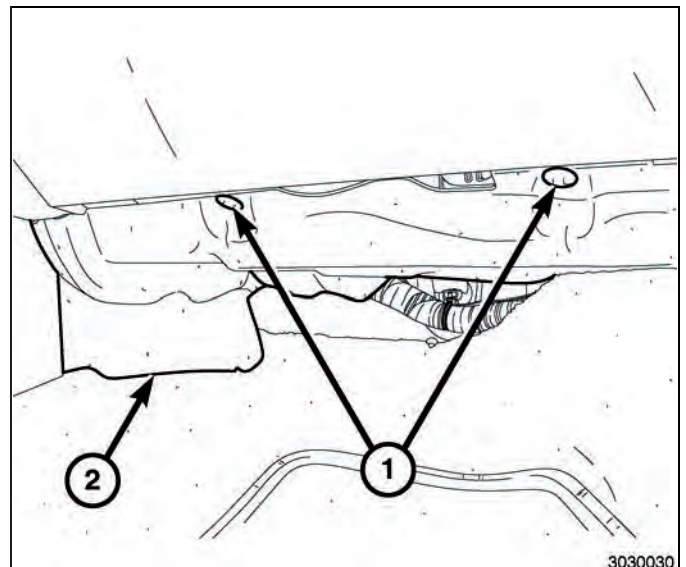
34. Coloque la caja de fusibles (2) en el soporte de montaje.
35. Enchufe los conectores eléctricos (4) a la caja de fusibles.
36. Eleve el conjunto de la caja de fusibles para colocarla en su lugar correcto y enganche el clip (3).



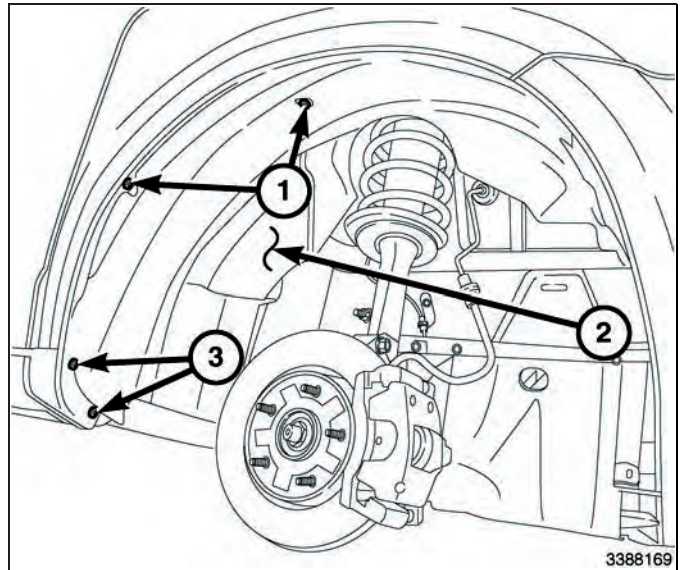
37. Coloque la guantera (1) en su posición, enganche los ganchos en el panel de instrumentos y eleve la guantera (1).
38. Conecte el fiador y el mazo de cables del LED.
39. Presione en los laterales de la guantera (1) y encaje a presión el conjunto de guantera en el panel de instrumentos.
40. Cierre la puerta de la guantera.



41. Coloque el silenciador (2) en el panel de instrumentos y monte los tres retenes de presión (1).

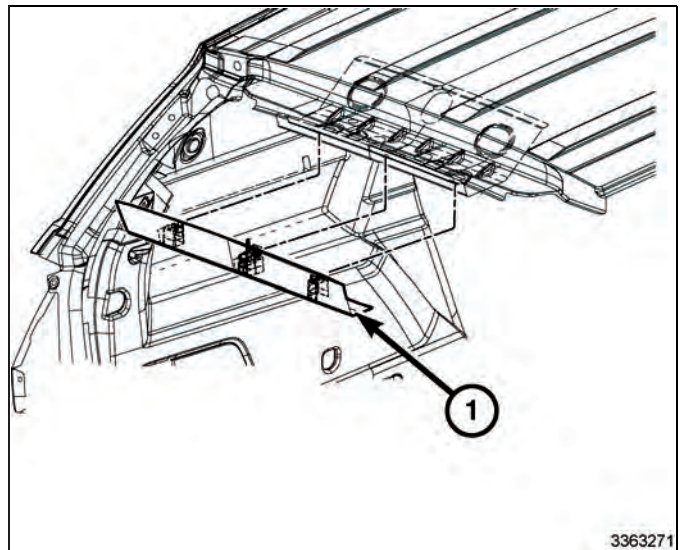


42. Coloque el protector contra salpicaduras del paso de rueda delantero derecho y monte las doce presillas (1).
43. Monte la rueda.
44. Baje el vehículo.



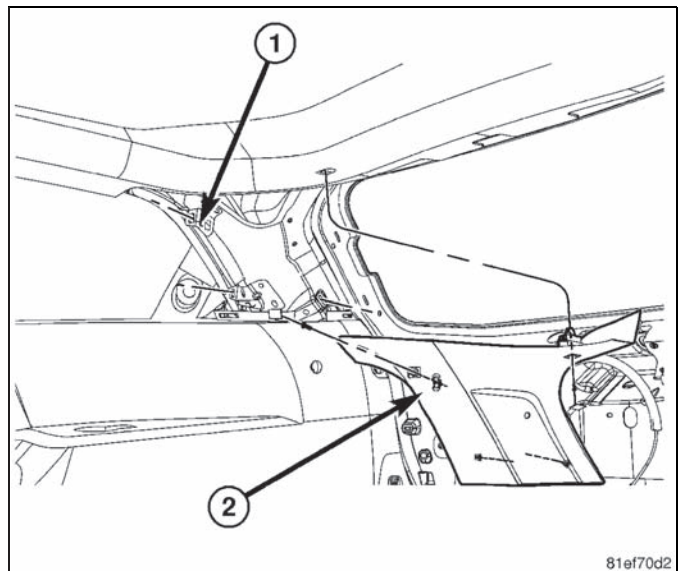
NOTA: Portón levadizo desmontado para una mayor claridad.

45. Abra la compuerta levadiza.
46. En caso necesario, desmonte una parte del burlete superior del portón levadizo.
47. Desmonte el panel de revestimiento del techo trasero (1) tirando hacia abajo.

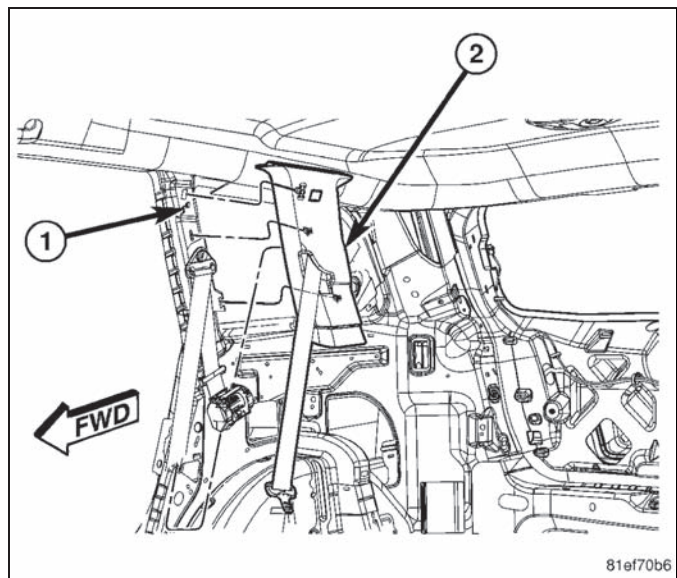


NOTA: Use un soporte para mantener el revestimiento del techo en su sitio.

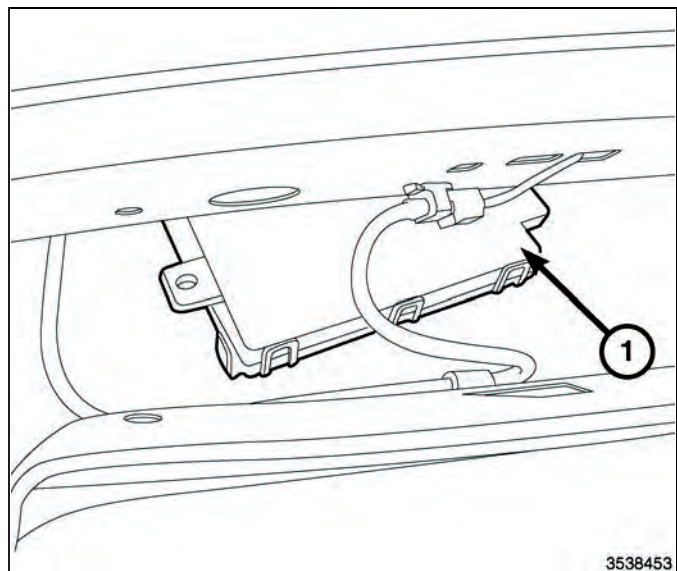
48. Desmonte la cubierta del orificio de acceso del montante D y desmonte el elemento de fijación de montaje.
49. Con una varilla de punta plana, haga palanca con cuidado en el montante D para desacoplar los clips.
50. Desmonte el montante D (2) del vehículo.
51. Repita los pasos de desmontaje del montante D en el lado opuesto.



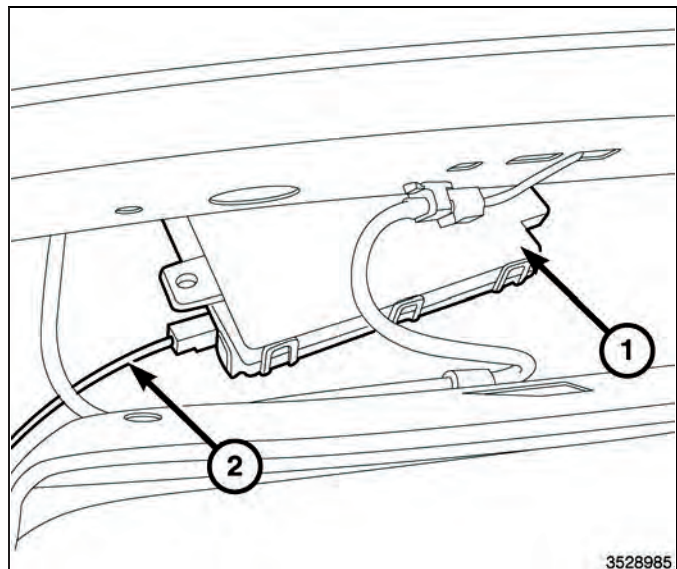
52. Desmonte la cubierta del orificio de acceso del montante C superior y desmonte el elemento de fijación de montaje.
53. Con una varilla de punta plana, haga palanca con cuidado en el montante C (2) para sacarlo y desacoplar los clips de retención.
54. Desmonte el montante C superior (2) del vehículo.
55. Repita los pasos de desmontaje del montante C en el lado opuesto.



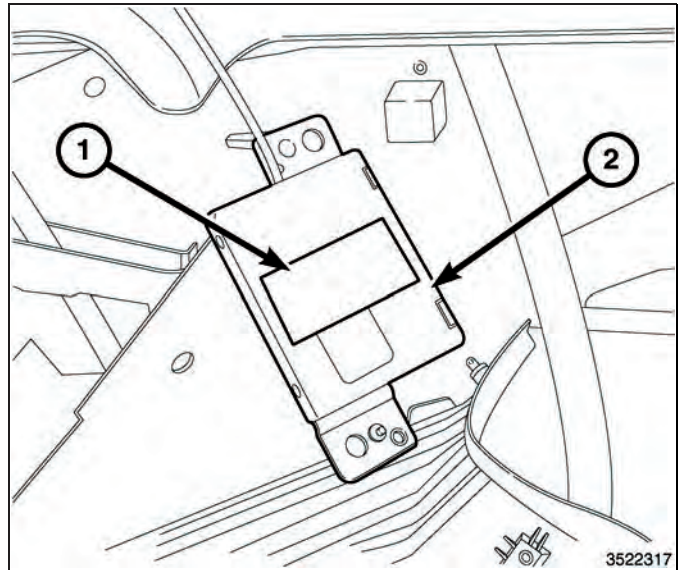
56. Mirando hacia la parte trasera del vehículo, baje ligeramente el revestimiento del techo. **TENGA CUIDADO DE EVITAR DAÑAR EL REVESTIMIENTO DEL TECHO.**
57. Desmonte los elementos de retención que fijan el módulo de núcleo de RF (1) ubicado en el borde delantero del revestimiento del techo trasero.
58. Desconecte el mazo de cables del vehículo del módulo del núcleo de RF (1) y deseche el módulo.



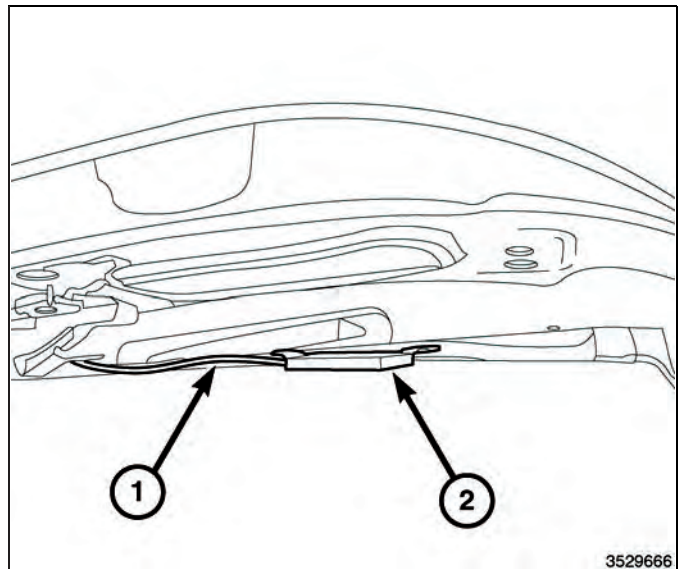
59. Consiga el módulo del núcleo de RF suministrado en el kit (1) y la antena de arranque remoto, conecte los mazos de cables del vehículo y los mazos de cables de la antena (2).
60. Coloque el núcleo de RF (1) y monte los elementos de retención que los fijan. Apriete los dispositivos de fijación con firmeza.
61. Realice el tendido de la antena de arranque remoto (2) hacia el lado del acompañante trasero del vehículo. **Asegúrese de que la antena de arranque remoto está situada en una zona en la que no interfiera con las piezas existentes al volver a montar el revestimiento del techo.**



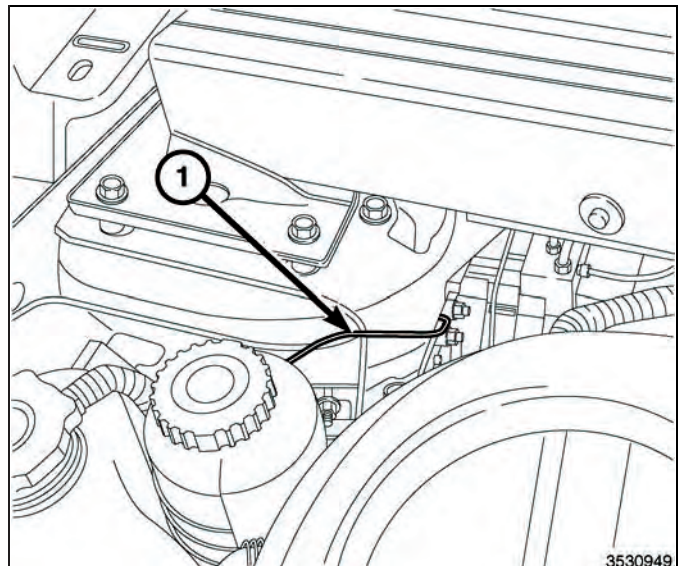
62. Con la cinta adhesiva suministrada en el kit (1), retire la protección de adhesivo de uno de los lados de la cinta y colóquela en el centro de la antena (2) donde está ubicada la etiqueta.
63. Presione con fuerza la cinta (1) durante 30 segundos.



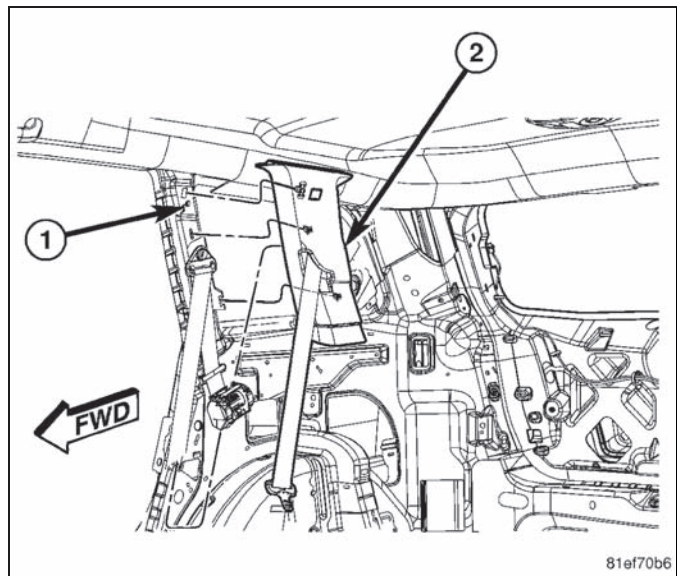
64. Retire el lado restante del protector del adhesivo y coloque la antena de arranque remoto en una superficie plana del revestimiento del techo justo delante de la parte trasera del techo. **Las lengüetas de la antena de arranque remoto deben mirar hacia arriba en el montaje.**
65. Fije el mazo de cables de la antena de arranque remoto (1) al revestimiento del techo con cinta flocada o equivalente.



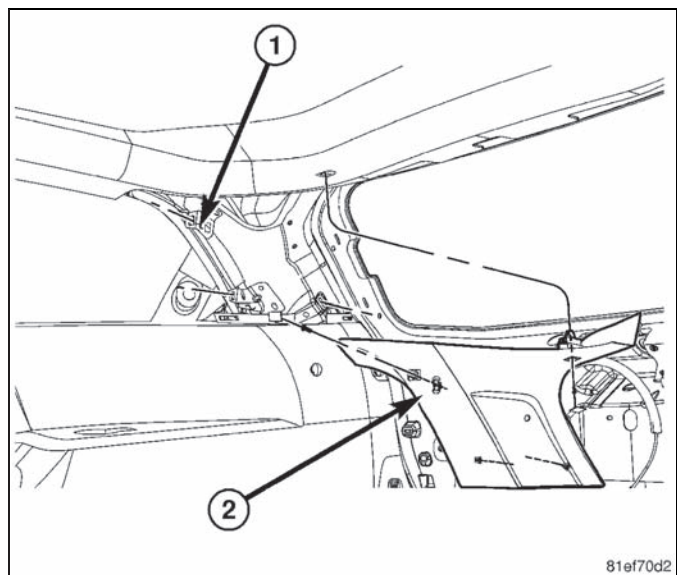
66. En el compartimento motor, realice el tendido de la parte del cable de masa (1) del mazo de cables de arranque remoto detrás de la botella de recuperación de refrigerante hasta el bloque de masa detrás de la botella.
67. Desmonte la tuerca de sujeción del vástago de masa, acople la argolla de masa y monte la tuerca de sujeción del vástago de masa.
68. Fije el mazo de cables (1) con las bridas suministradas en el kit.



69. Levante el revestimiento del techo en su sitio y aguán telo con un soporte.
70. Coloque el tapizado superior del pilar C (2) en su posición.
71. Asiente con fuerza los clips en el montante C.
72. Monte el elemento de retención de montaje y la cubierta del orificio de acceso.
73. Repita los pasos de montaje del montante C superior en el lado opuesto.

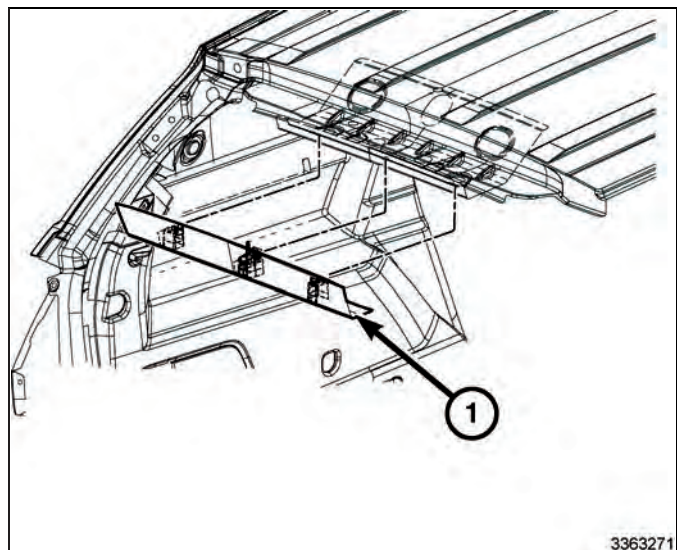


74. Coloque el tapizado del montante C (2) en su posición.
75. Asiente con fuerza los clips que fijan el tapizado del montante D
76. Monte los elementos de retención de montaje y cubiertas del orificio de acceso.
77. Repita los pasos de montaje del tapizado del montante D en el lado opuesto.
78. Desmonte el soporte del revestimiento del techo.



NOTA: Portón levadizo desmontado para una mayor claridad.

79. Coloque el panel de revestimiento del techo trasero (1). Golpee con la mano para montarlo.
80. Si se desmontó, vuelva a montar el burlete superior del portón levadizo.
81. Cierre la compuerta levadiza.
82. Vuelva a conectar el cable negativo de la batería.



PROGRAMACIÓN DEL FOBIC DE LA LLAVE DE ENCENDIDO

NOTA: El nivel del software de wiTECH debe ser el de la última versión para realizar este procedimiento.

PRECAUCIÓN: Lea todas las notas y precauciones relativas al procedimiento de programación.

NOTA: No coloque un ordenador portátil o cualquier otro dispositivo inalámbrico (teléfono móvil, dispositivo de audio, etc.) en la parte superior o cerca de la consola central. La antena de RF está bajo la consola.

NOTA: Al programar un FOBIK, manténgalo cerca o encima de la parte superior de la consola central.

NOTA: Cuando se le indique que "suelte el botón de desbloqueo" es importante que no lo mantenga presionado. Púlselo rápidamente una vez.

1. Conecte un cargador de batería al vehículo.
2. Con la herramienta de diagnóstico wiTECH, lleve a cabo los pasos siguientes:
 - Seleccione "NÚCLEO DE FRECUENCIA DE RADIO (RFH)"
 - Gire el encendido a la posición de apagado/bloqueo. El encendido debe permanecer apagado durante todo este proceso en los vehículos equipados con el núcleo de RF.
 - Seleccione la pestaña "MISCELLANEOUS FUNCTIONS" (Funciones varias).
 - Seleccione "PROGRAMAR FOBIK DE ENCENDIDO"
 - Seleccione "CONTINUE" (Continuar).
 - Anote las instrucciones que aparecen en pantalla y seleccione el botón "FINISH" (Finalizar).
 - Una vez finalizada correctamente la rutina, gire la llave de encendido.

NOTA: Se pueden programar un máximo de ocho llaves con el núcleo de RF.

PROGRAMACIÓN DEL NÚCLEO DE RADIOFRECUENCIA (NÚCLEO RF)

NOTA: El nivel del software de wiTECH debe ser el de la última versión para realizar este procedimiento.

PRECAUCIÓN: Lea todas las notas y precauciones relativas al procedimiento de programación.

NOTA: Antes de ejecutar la rutina, asegúrese de que tiene el PIN del vehículo disponible

1. Conecte un cargador de batería al vehículo.
2. Con la herramienta de diagnóstico wiTECH, lleve a cabo los pasos siguientes:
3. Encienda el contacto.
 - Seleccione "NÚCLEO DE FRECUENCIA DE RADIO (RFH)"
 - Seleccione la pestaña "MISCELLANEOUS FUNCTIONS" (Funciones varias).
 - Seleccione "SUSTITUCIÓN DEL NÚCLEO DE RF"
 - Seleccione el botón "Start Misc Function" (Iniciar funciones varias).
 - Seleccione "SIGUIENTE"
 - Introduzca el PIN cuando se le solicite.
 - Seleccione "SIGUIENTE"
 - Compruebe que el número PIN es correcto.
 - Una vez comprobado, seleccione "NEXT" (Siguiente).
 - Seleccione "SIGUIENTE"
 - Anote las instrucciones que aparecen en pantalla y seleccione el botón "FINISH" (Finalizar).
 - Una vez finalizada correctamente la rutina, gire la llave de encendido.

RESTABLECIMIENTO DE LA ECU

NOTA: El nivel del software de wiTECH debe ser el de la última versión para realizar este procedimiento.

PRECAUCIÓN: Lea todas las notas y precauciones relativas al procedimiento de programación.

1. Conecte un cargador de batería al vehículo.
2. Con la herramienta de diagnóstico wiTECH, lleve a cabo los pasos siguientes:
 - Seleccione la pestaña "DIAGNOSTIC PROCEDURES" (Procedimientos de diagnóstico).
 - Resalte "RESET ECU" (Restablecimiento de ECU).
 - Seleccione "RADIO FREQUENCY MODULE (RFH)"
 - Anote las instrucciones que aparecen en pantalla y seleccione el botón "NEXT" (Siguiente).
 - Seleccione "FINALIZAR"

CALIBRACIÓN DE VENTANILLAS

NOTA: El nivel del software de wiTECH debe ser el de la última versión para realizar este procedimiento.

NOTA: En vehículos provistos de la función de subida automática de ventanillas, es necesario calibrar las ventanas tras una desconexión de la batería.

NOTA: La puerta debe estar completamente cerrada al iniciar este paso.

1. Siéntese en el asiento del conductor y cierre la puerta.
2. Baje la ventanilla.
3. Suba la ventanilla por completo y mantenga pulsado el conmutador durante unos dos segundos más.
4. Baje por completo la ventanilla y mantenga pulsado el conmutador durante dos segundos más.
5. Eleve la ventanilla por completo.
6. Repita estos pasos para las demás ventanillas.

DESACTIVACIÓN TEMPORAL DEL ARRANQUE A DISTANCIA

NOTA: El nivel del software de wiTECH debe ser el de la última versión para realizar este procedimiento.

PRECAUCIÓN: Lea todas las notas y precauciones relativas al procedimiento de programación.

1. Conecte un cargador de batería al vehículo.
2. Con la herramienta de diagnóstico wiTECH, lleve a cabo los pasos siguientes:
 - Vaya a "MÓDULO DE CONTROL DE CARROCERÍA (BCM)"
 - Seleccione la pestaña "FUNCIONES VARIAS"
 - Resalte y seleccione "TEMPORARY REMOTE START DISABLE" (Desactivación temporal del arranque a distancia).
 - Anote las instrucciones que aparecen en pantalla y seleccione el botón "NEXT" (Siguiendo).
 - Seleccione el botón "DISABLE" (Desactivar) para activar la función de arranque a distancia.
 - Seleccione "YES" (Sí) para restablecer el módulo y salir de la rutina; seleccione "NO" para volver a cambiar el valor.
 - Seleccione "FINALIZAR"

BORRADO DE TODOS LOS CÓDIGOS DE AVERÍA

NOTA: La aplicación de diagnóstico wiTECH es el método preferido para el borrado de todos los códigos de avería.

NOTA: El nivel del software de wiTECH debe ser el de la última versión para realizar este procedimiento.

ACTIVACIÓN DEL ARRANQUE REMOTO

Para activar el arranque a distancia, el vehículo debe conducirse al menos a 35 MPH.

Con el vehículo apagado y las puertas cerradas y bloqueadas, compruebe que el arranque remoto funciona correctamente.