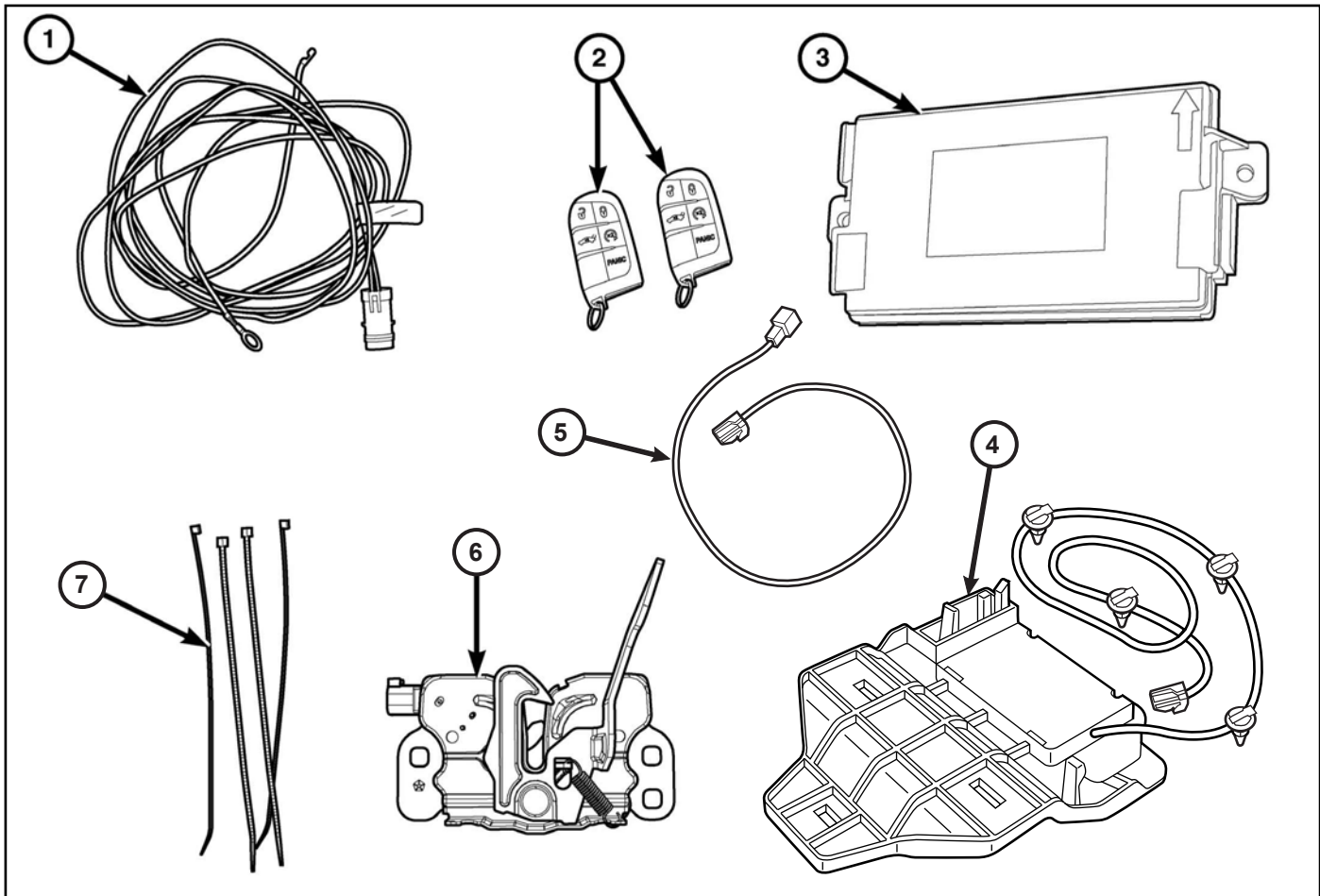




## CHRYSLER 300 / DODGE CHARGER REMOTE START

www.mopar.com



CALL OUT	DESCRIPTION	QUANTITY
1	Hood Switch Harness	1
2	FOBIK	2
3	Radio Frequency Hub Module (RFHub)	1
4	Remote Start Antenna	1
5	Antenna Jumper Harness	1
6	Hood Latch Assembly	1
7	Zip Ties	12

### TOOLS REQUIRED

Fiber/Trim Stick, Small Pick/Pry Tool	10mm,11mm,12mm, T20 and T25 Sockets
Ratchets with Extensions	RTV Sealant or Equivalent

**CAUTION:** XBM remote start can **ONLY** be installed on vehicles that have the following factory options: Automatic Transmission, Remote Keyless Entry and Immobilizer. The XBM sales code must be added to the database and the Restore Vehicle Configuration (using a diagnostic scan tool) must be performed prior to installing the new RFHub module. Failure to do so will render the RFHub module's remote start function inoperative. The technician should wait 1/2 hour between adding XBM sales code in DealerConnect before installing the RFHub module and restoring vehicle configuration. In the interim, the technician can install all other components except the RFHubmodule.

**NOTE:** It is recommended to read the instructions thoroughly before installing this product.

**NOTE:** Please obtain **BOTH** original keyFOBs from the customer before installing remote start function.

#### PROCEDURE STEPS:

#### UPDATE VEHICLE CONFIGURATION

**NOTE:** The wiTECH software level must be at the latest release to perform this procedure.

- VIN must be updated with the sales code of the added accessory in order to enable system functionality. Using the DealerCONNECT website and the wiTECH diagnostic application, complete the vehicle configuration.
- Log on to <https://dealerconnect.chrysler.com>.
- In the "Service" tab, inside the Warranty Administration box, locate "Vehicle Option Updates." Enter the vehicle VIN and add the sales code "XBM" (Remote Start) as a "Dealer Installed Option".

#### RECORD THIS DATA BEFORE DISCONNECTING THE BATTERY:

- With the WiTECH diagnostic application, perform the following steps:
- Select the "RF HUB MODULE."
- Select the "Data" tab.
- Write down the names and data values for each of the Tire Sensor ID's. This will be needed later in the installation procedure.

Obtain 4-digit temporary PIN number from authorized dealership personnel. This PIN is only valid for 24 hours. If older than that, you must obtain a new PIN.

#### XBM (REMOTE START)

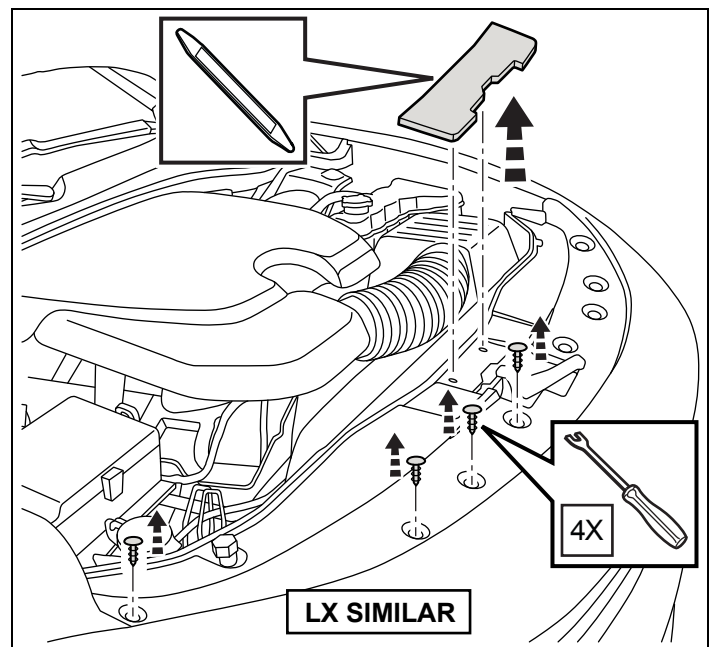
- Confirm that the new sales code has been successfully added to the VIN.
- With the wiTECH diagnostic application, perform the following steps from the Initial Start Up Screen:
  - Select the "DIAGNOSTIC PROCEDURES" tab
  - Select "RESTORE VEHICLE CONFIGURATION"
  - Select the "Run Diagnostic" button
  - Select "CONTINUE"
  - Verify that the vehicle VIN number is correct
  - Once verified, select the "Correct VIN" button
  - Note on-screen instructions and select the "CLOSE" button

#### HOOD SWITCH INSTALLATION

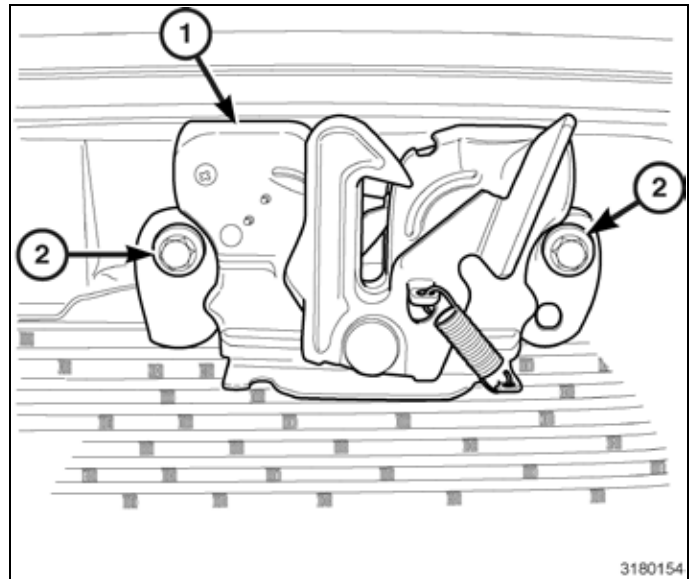
**NOTE:** All views are Chrysler unless noted different, Dodge similar.

- Disconnect and isolate the negative battery cable.** The battery is located under the cargo cover in the trunk.
- Carefully pry off the center trim panel from the radiator cover panel. Remove (4) fasteners from the passenger side of the radiator cover panel as shown.

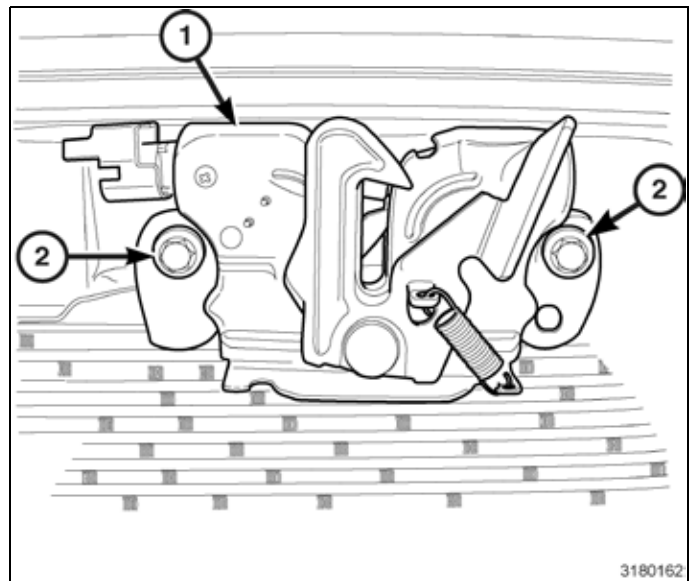
**NOTE:** Retain all fasteners for later reinstallation.



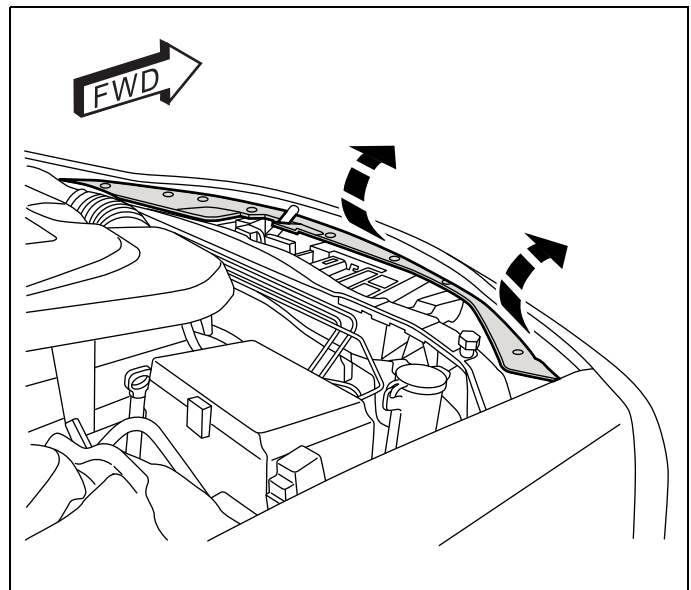
3. Disconnect the hood latch cable from the hood latch (1).
4. Using a grease pencil or equivalent, mark the position of the hood latch (1) on the upper radiator crossmember
5. Remove the two bolts (3) that secure the hood latch (1) to the upper radiator crossmember and support brackets (2).
6. Remove the hood latch (1) from the vehicle.



7. Position the kit supplied hood latch (1) between the support brackets (2) and the upper radiator crossmember.
8. Loosely install the two bolts (3) that secure the hood latch (1) to the crossmember.
9. Align the hood latch (1) to the upper radiator crossmember using the reference marks made during the removal step and tighten the bolts to 27 N·m (20 ft. lbs.).

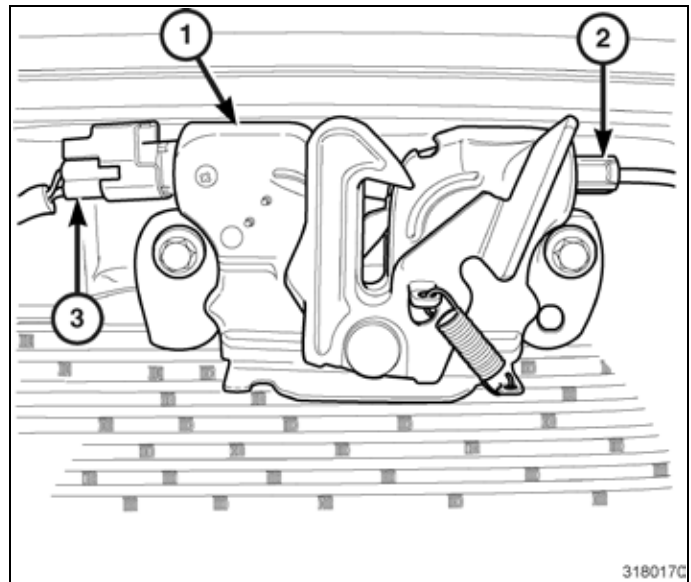


10. Carefully pry up on the back edge of the radiator cover panel.



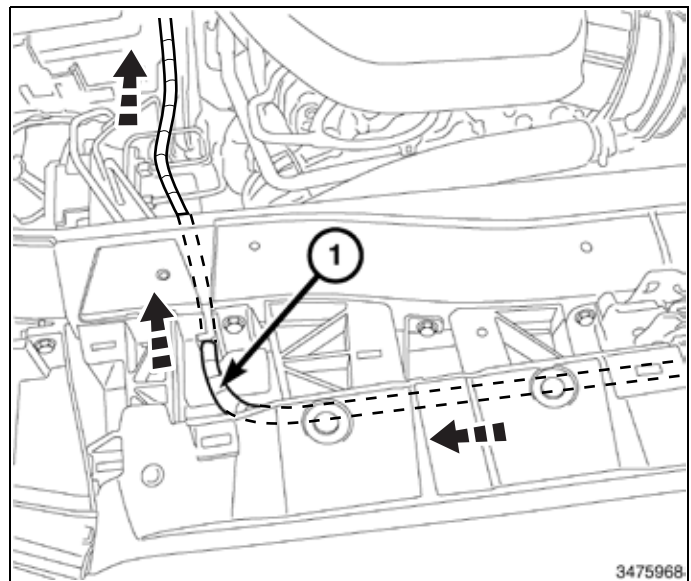
**NOTE:** There may be an unused factory installed hood switch harness taped back to the existing vehicle harness. If present, detach it, route it through to the hood latch assembly and connect. If the factory hood switch harness is not preset, follow steps 11 through 37.

11. Connect the hood latch cable (2) to the hood latch (1).
12. Connect the hood ajar switch harness connector (3) to the hood latch (1).

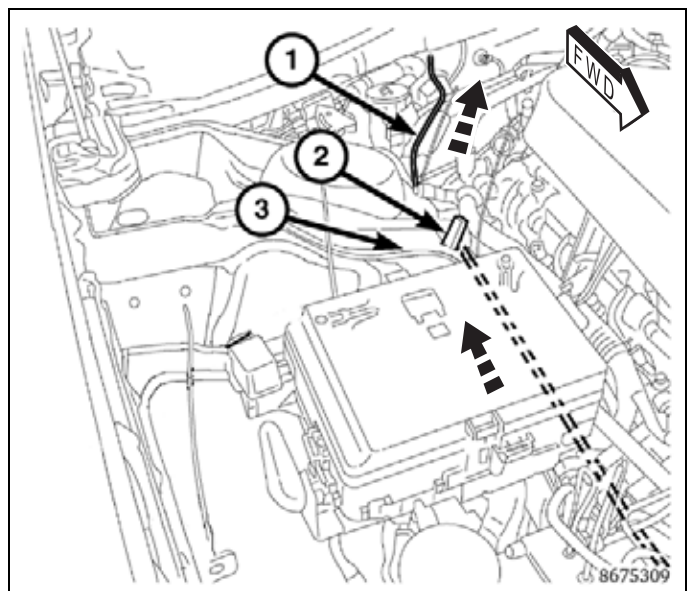


13. Obtain the kit supplied hood ajar switch harness (1), route the pin/ground eyelet end of the kit supplied harness starting at the hood latch following the existing vehicle harness (1) under the reinforcements and through the opening between the headlamp and the radiator support into the engine compartment.

**NOTE:** Cable ties should be installed no farther than 100mm apart.



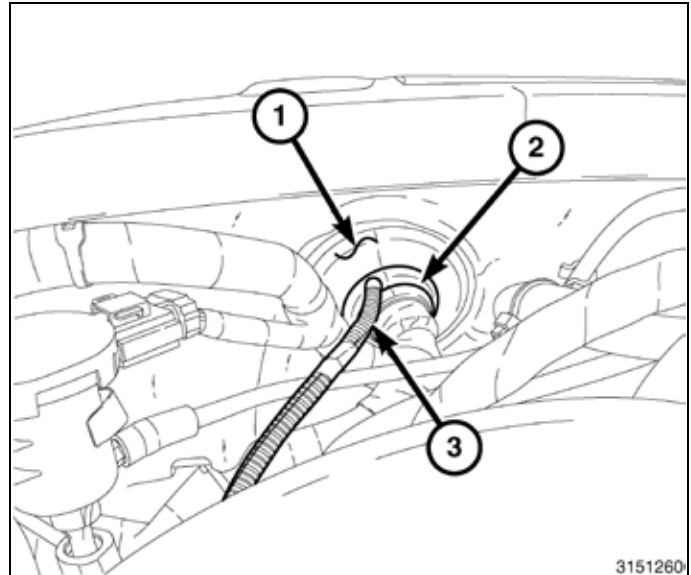
14. Route the hood ajar switch harness (1) under the TIPM.
15. Remove the ground stud (3) located behind the TIPM on the shock tower.
16. Install the ground eyelet (3) to the ground stud (2) and reinstall to the inner fender.
17. Secure the harness (1) with kit supplied tie straps.



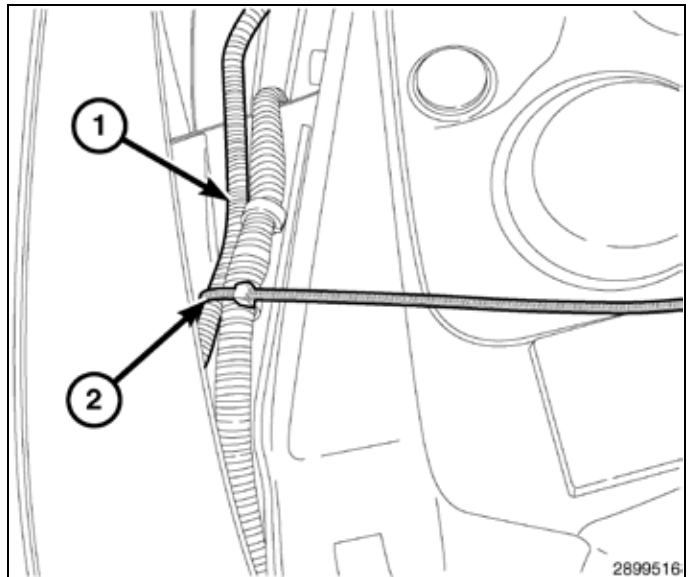
**NOTE:** The grommet is a double sided grommet with rubber inside the vehicle side and outside the vehicle. Be sure to pierce all the way through both sides. Be careful not to compromise the engine wiring harness while piercing the grommet.

18. From under the hood on the RH side of the cowl, carefully pierce the second rib (2) of the engine harness pass through grommet (1) and route the remote start to BCM harness (3) (loose wire end) into the passenger compartment.

**NOTE:** A lubricant applied to the wire will help it pass through.

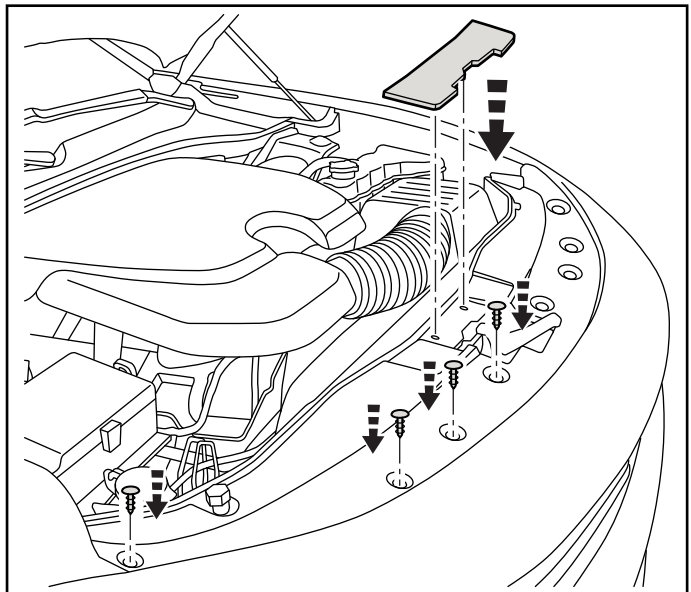


19. Pull on the harness (1) from inside the engine compartment to eliminate any excess slack.
20. Using the zip ties (2) from the kit, secure the harness (1) to the existing vehicle harness.

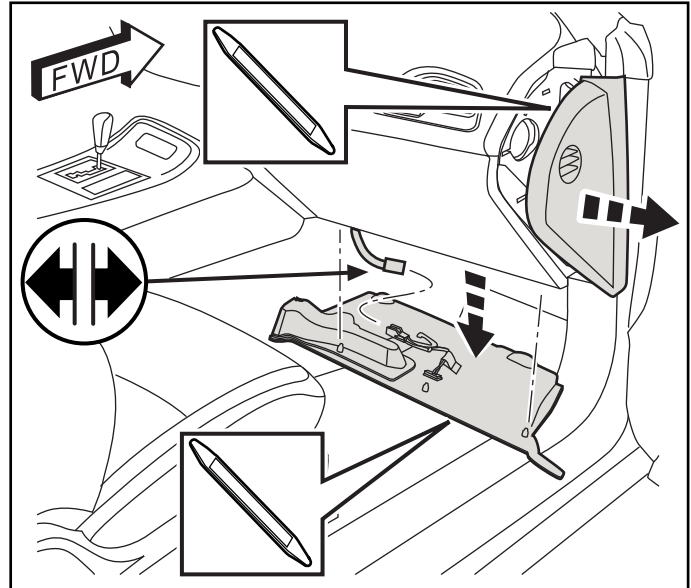


21. Reinstall (4) fasteners on the passenger side of the radiator cover panel as shown. Reinstall the center trim panel as shown.

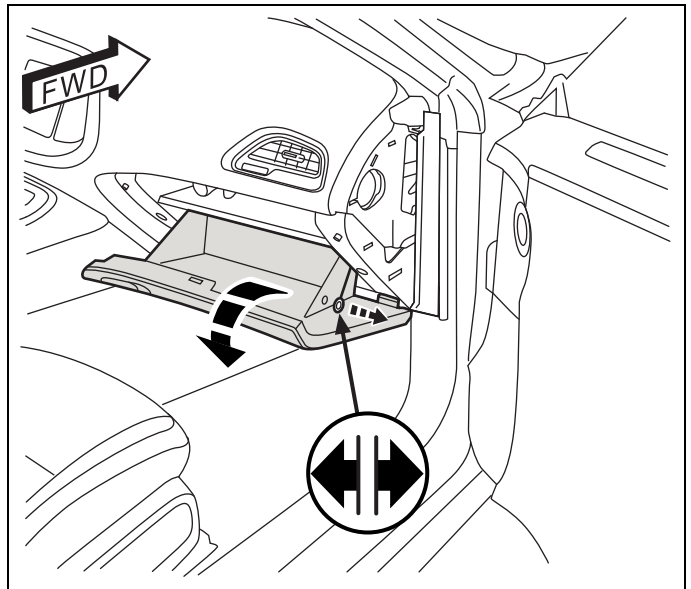
22. Close the hood, adjust the hood latch if necessary.



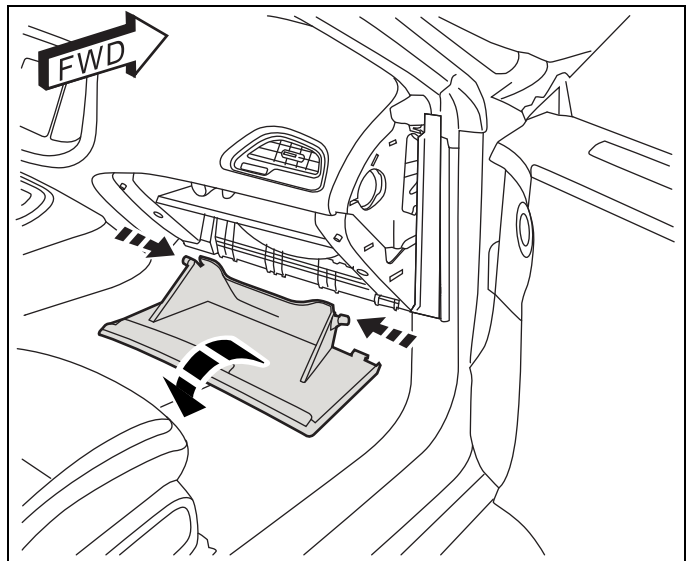
23. Remove the right side instrument panel end cap.
24. Remove the right side instrument panel silencer push in fasteners.
25. Disconnect the LED harness (1) and remove the right side instrument panel silencer (2).
26. Pry off the lower cover panel under the glovebox. Disconnect footwell lamp plug. Carefully pry off the trim panel at the end of the dash.



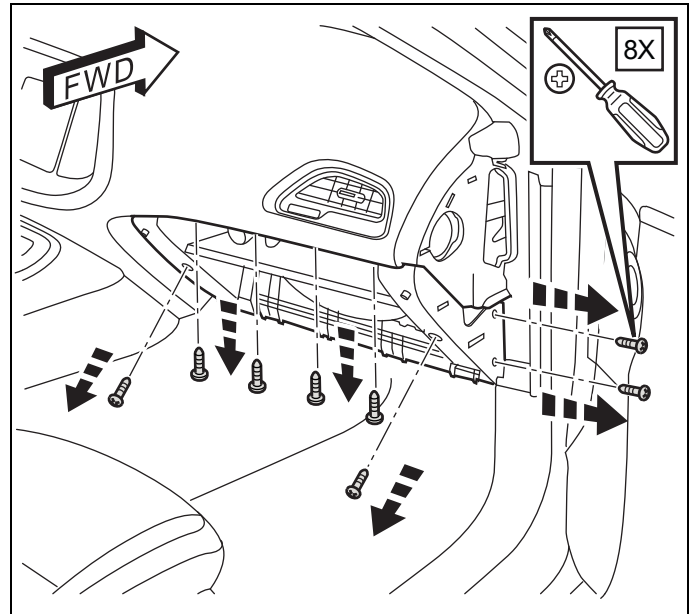
27. Open the glovebox and disconnect the retaining cable.



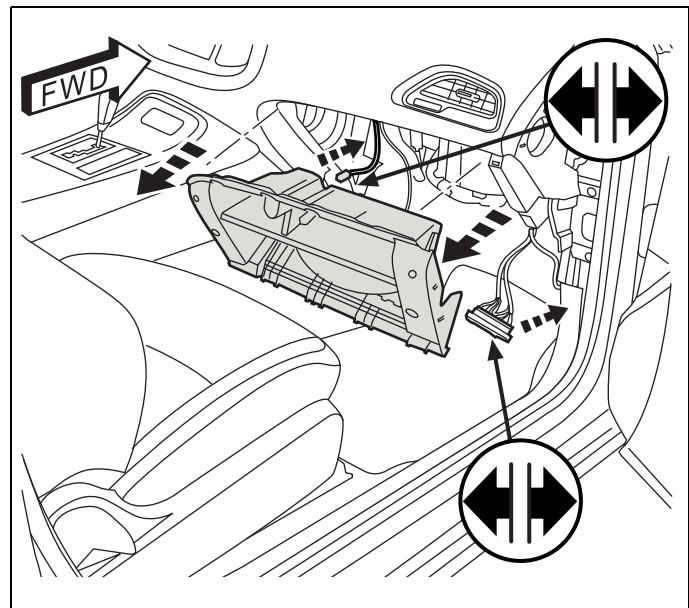
28. Carefully unsnap the glovebox hinge pins and remove the glovebox.



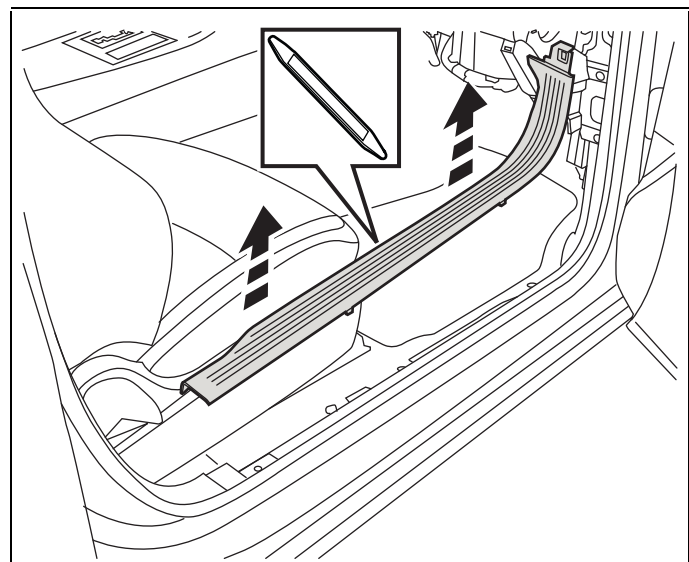
29. Remove (8) fasteners from the glovebox bezel as shown.



30. Remove the glovebox bezel from the dash and disconnect all plugs.



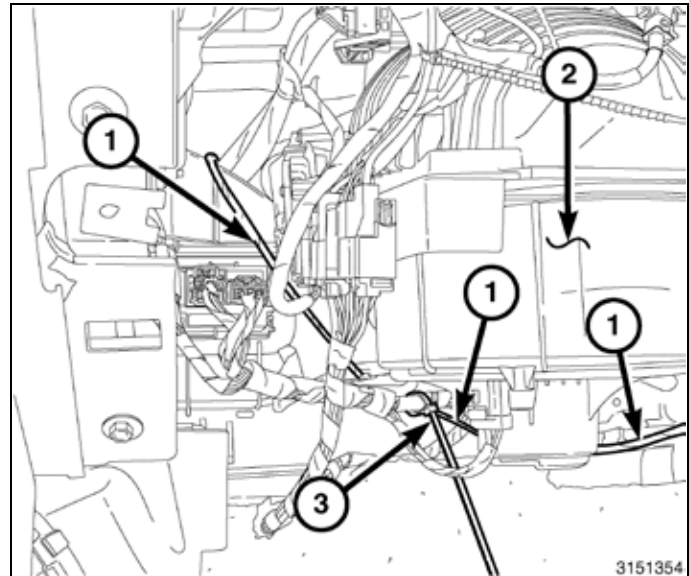
31. Carefully pry off the door sill trim panel. Remove one (1) fastener from the bottom front edge of the inside rear quarter trim panel.



**NOTE:** Just prior to pulling the hood ajar switch to BCM harness (1) through the grommet, apply RTV sealant to the wiring harness ¼ inch before the conduit (in the engine compartment) to seal it.

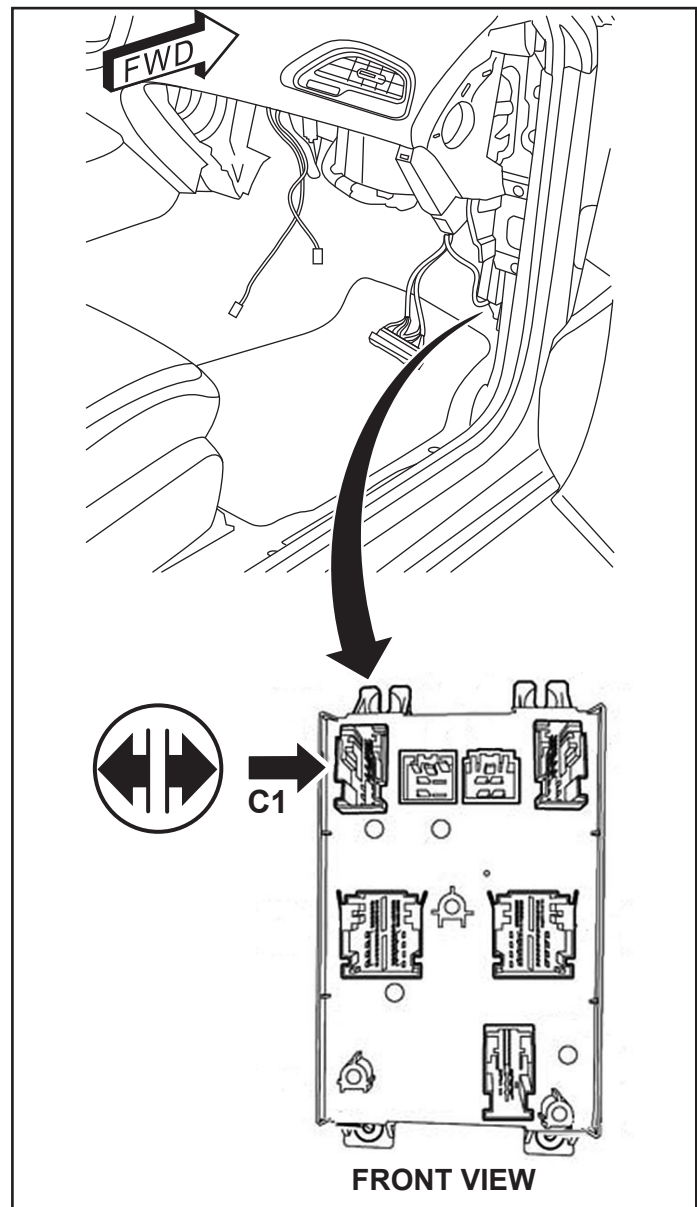
32. From inside the passenger compartment, locate the harness (1) and pull through to seat the harness conduit against the grommet in the engine compartment.
33. Route the harness (1) located on the RH kick panel and secure with tie straps (3) as necessary.

**NOTE:** In the interior cabin, zip ties should be installed no farther than 150mm apart.



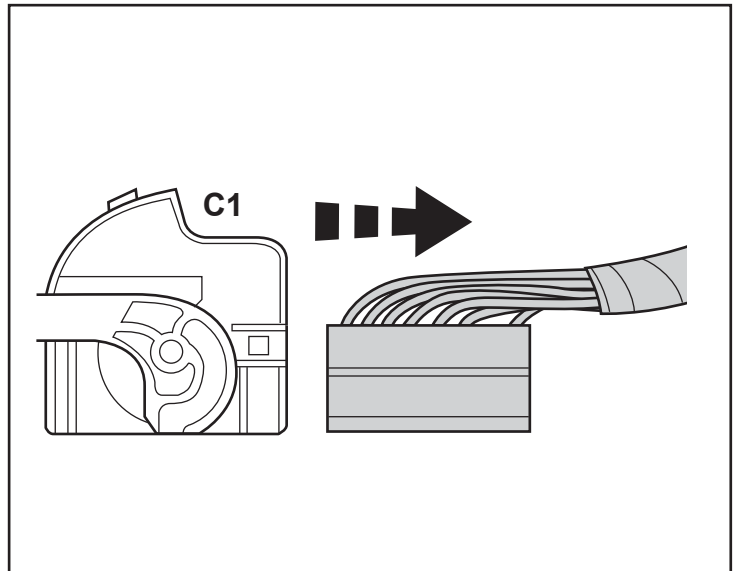
34. The top left connector (C1) will need to be accessed for the new hood switch harness connector wire.

**NOTE:** BCM connectors are easier to access if large HVAC connector is removed first.



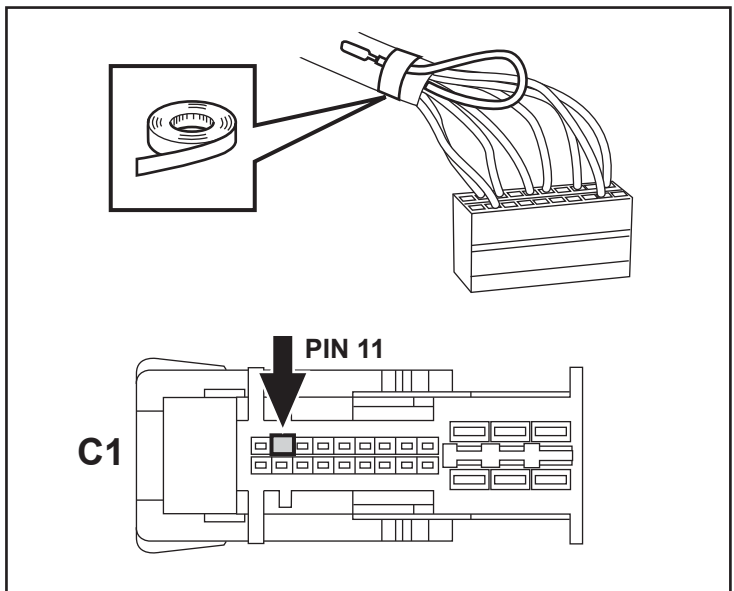
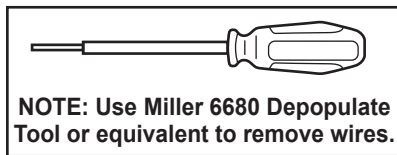


35. Press in on the release tabs at the back of the connector and slide the plug out from the outer casing.

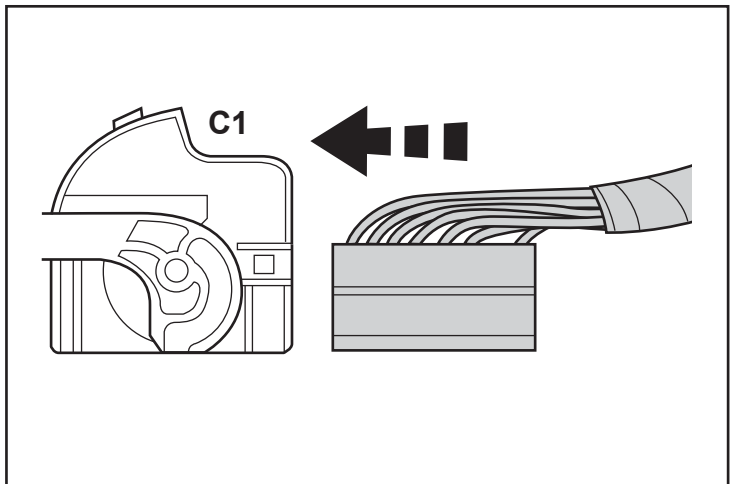


36. Locate Pin 11 on the connector. Insert the tab wire connector from switch harness (D) into Pin 11.

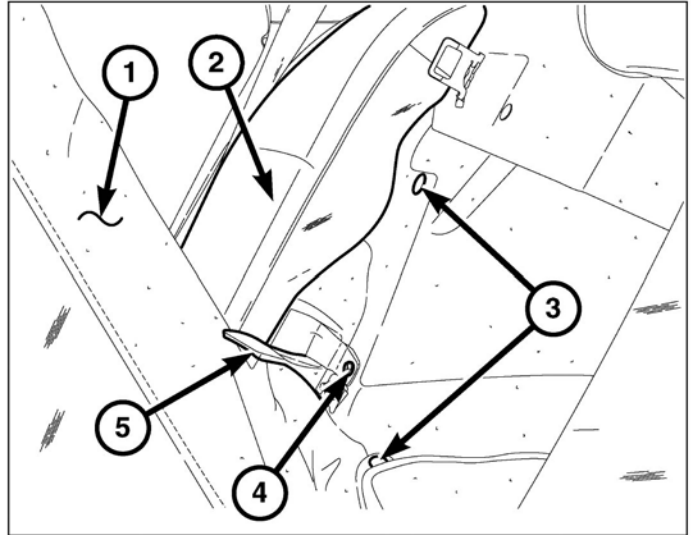
**NOTE: If Pin 11 has a factory harness wire present, remove the factory wire and tape it back on the harness.**



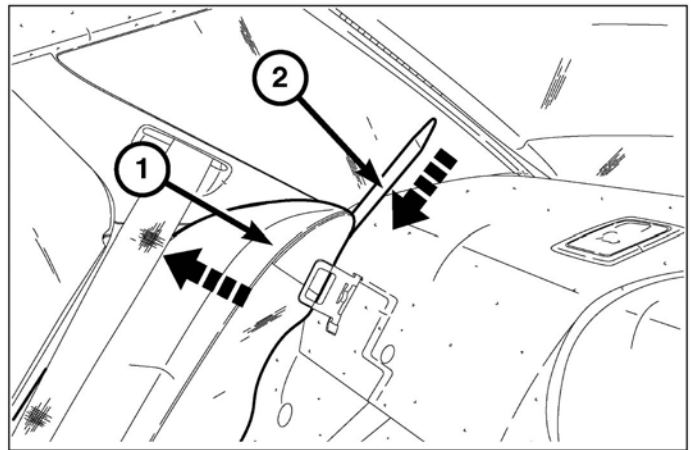
37. Reinstall the outer casing on the connector. Plug the connectors back into the BCM.



38. Pull the RH rear seat back (1) forward, exposing the luggage compartment.
39. Behind the RH rear seat, pull the carpet tab (5) up, exposing the rear seat back side bolster bracket retaining bolt (4).
40. Remove the RH rear seat back side bolster bracket bolt (4).

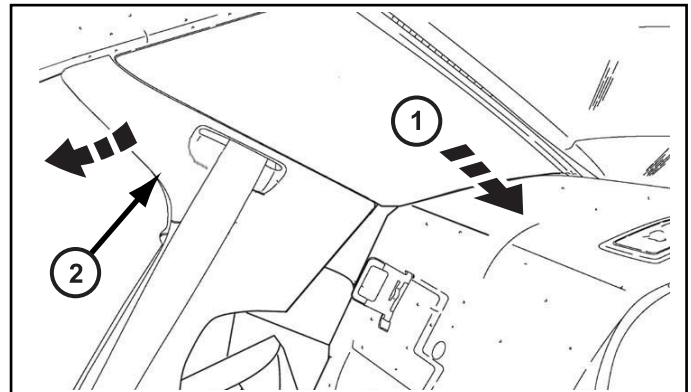


41. Using a trim stick (2) or equivalent, push down between the rear shelf and the RH rear seat back bolster (1) to release the retaining clip, and pull out on the seat back bolster (1) to remove.

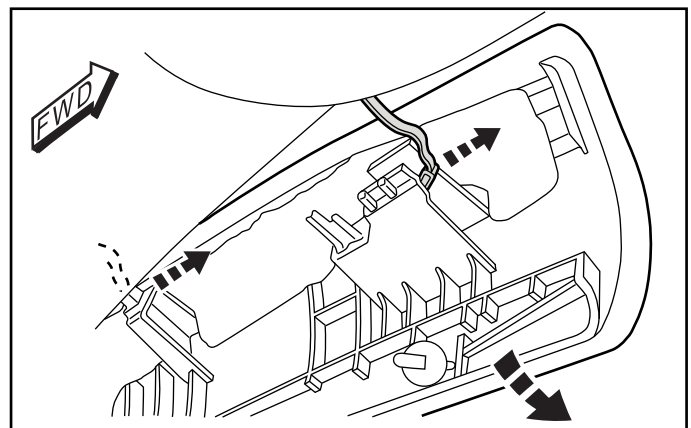


42. Using a trim stick to carefully pry off the upper C-pillar trim panel (1).

**NOTE: For LX models, the lower trim panel (2) will need to be removed as well.**

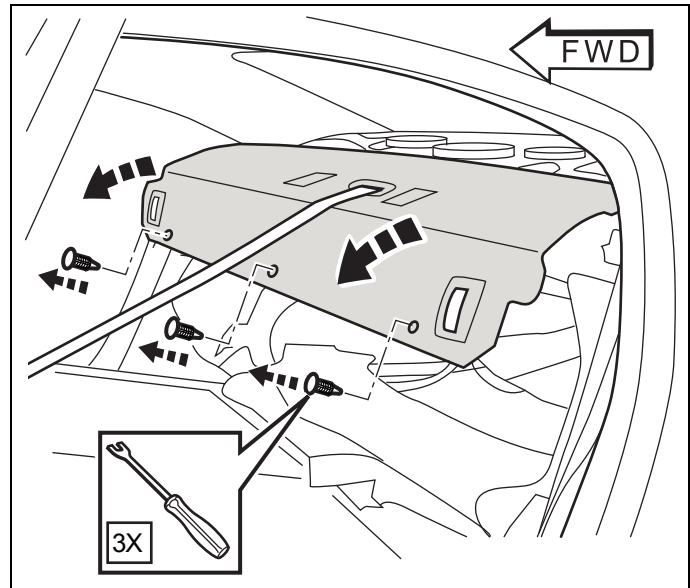


43. Disconnect (2) safety straps. Remove the panel from the vehicle.

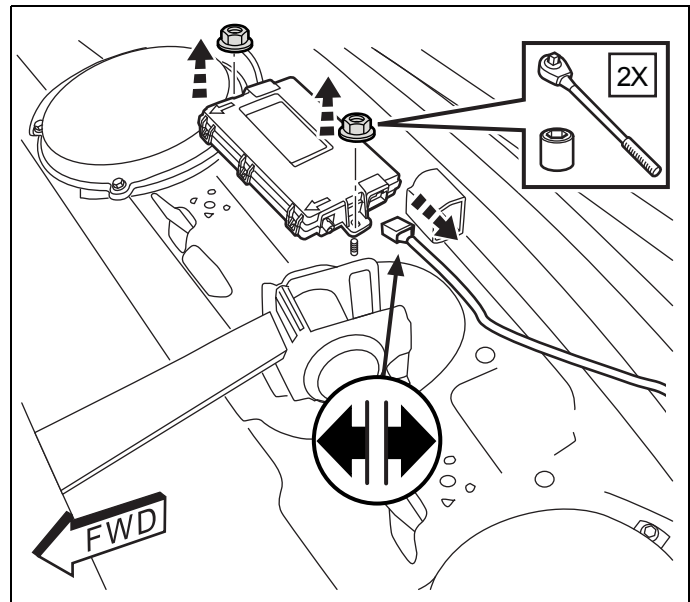


44. Repeat Steps 38 through 43 on driver side.

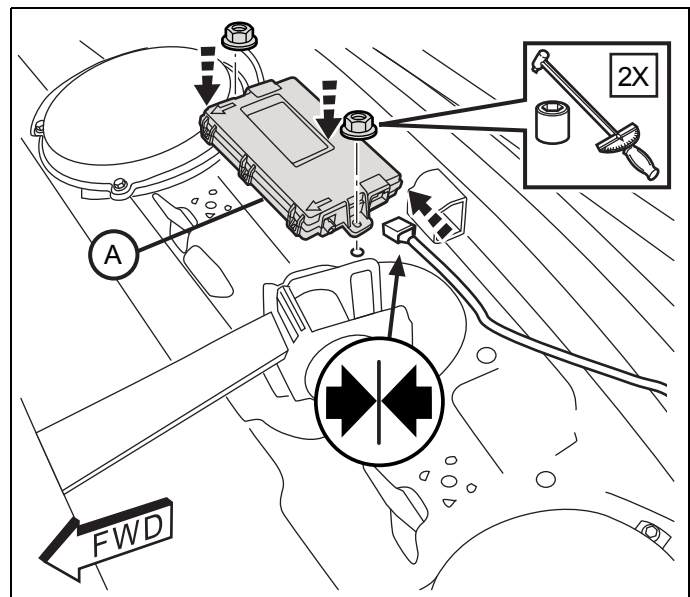
45. Remove the pushpin fastener (1) that secures the trim to the rear shelf panel (3).
46. Slide the trim panel (2) forward to disengage the S-clip that secures the underside of the trim to the center of the shelf panel.
47. Position the trim panel (2) away from the rear shelf panel.



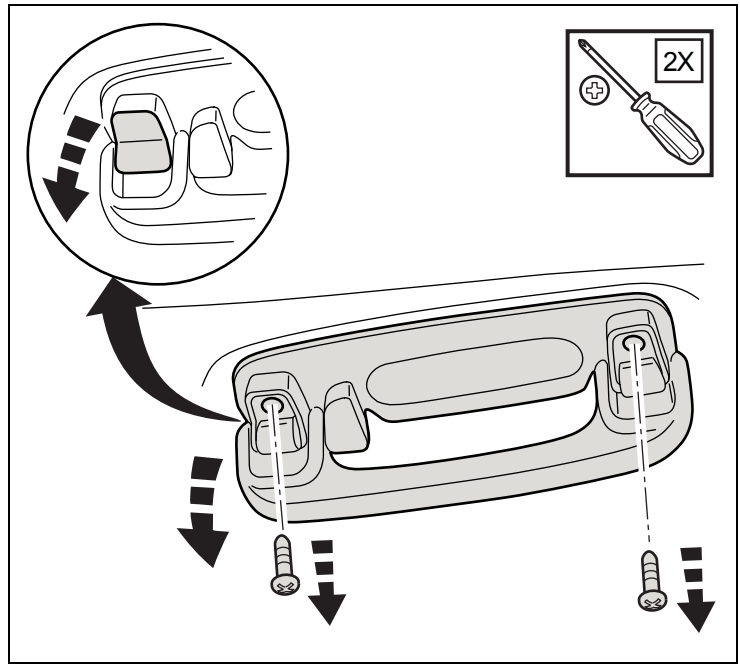
48. Locate the existing RF Hub Module on the rear deck. Disconnect all harness connectors. Remove two (2) fasteners. Remove the RF Hub Module.



49. Install the new RF Hub Module (A) on the rear deck with two (2) original fasteners. Reinstall all connectors. Tighten to 2.2 N m (19 in.-lbs.)

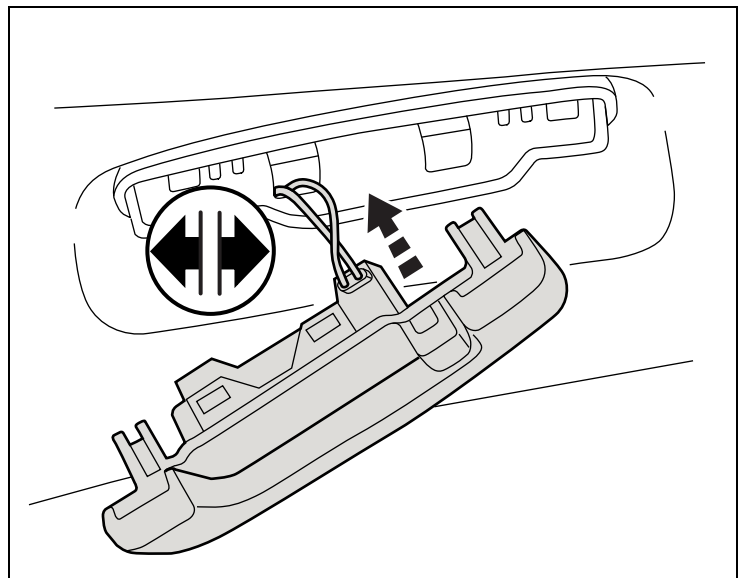


50. Remove (2) fastener covers from the rear grab handle. Remove (2) fasteners from the handle as shown.

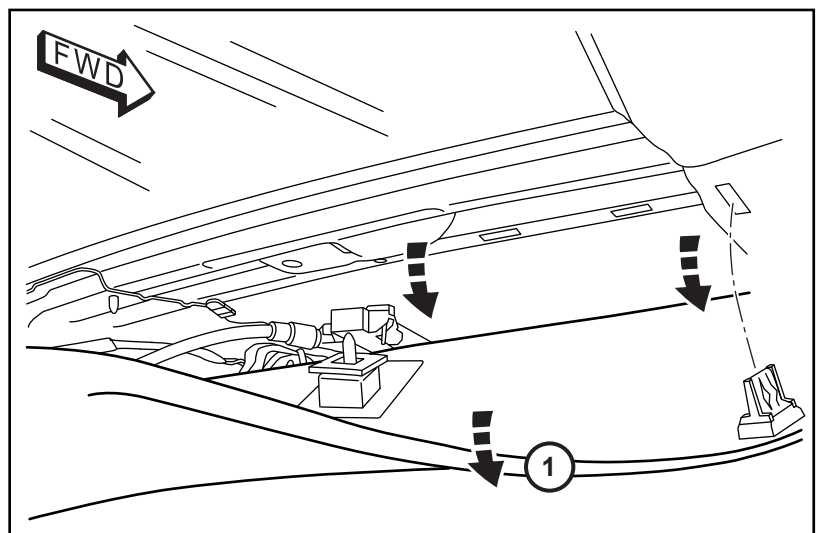


51. Disconnect the courtesy lamp plug from the back of the grab handle. Remove the handle from the vehicle.

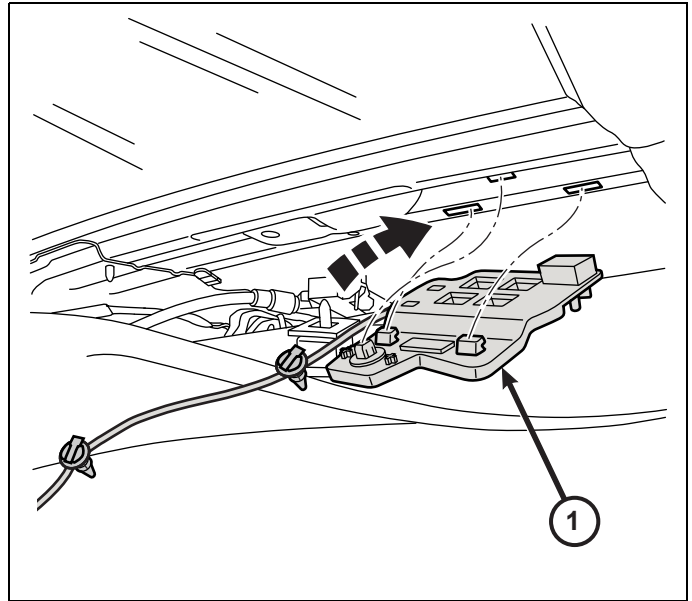
**Repeat for opposite side of vehicle.**



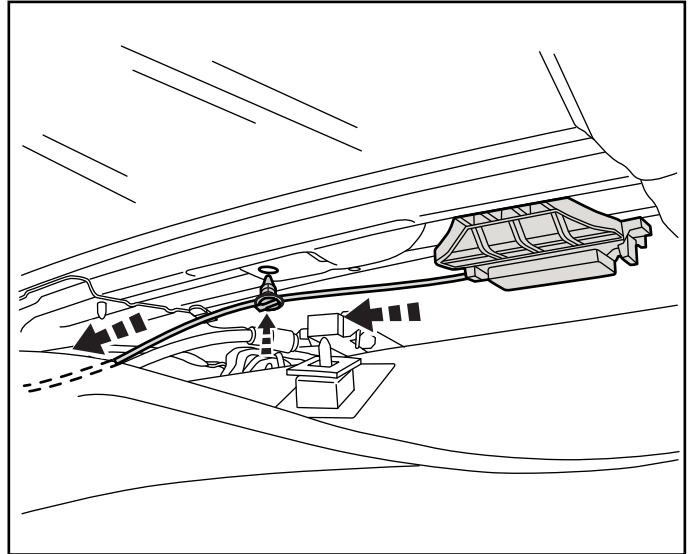
52. Use a trim stick to pry down any clips and magnets under the rear edge of the headliner (1).



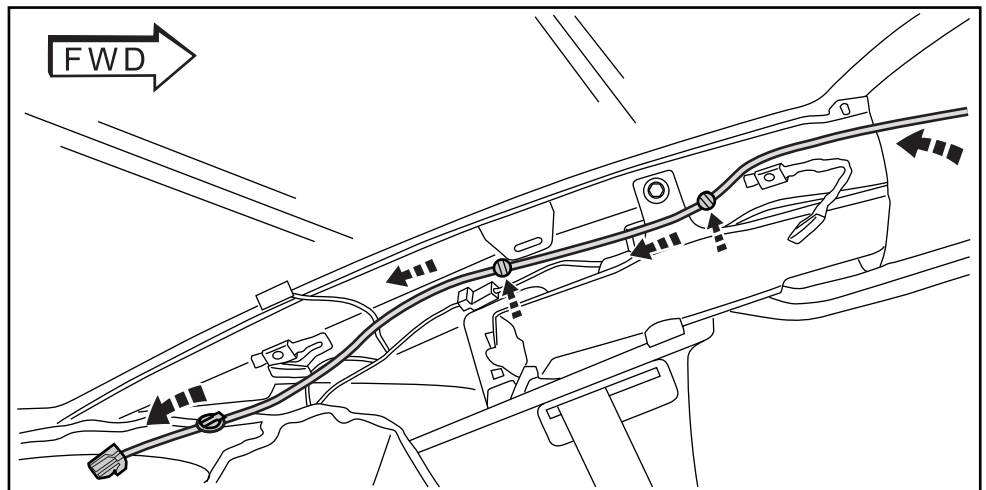
53. Install the Antenna Assembly (1) into the roof cross bar by snapping the two mounting clips on the bracket into the existing slots as shown.



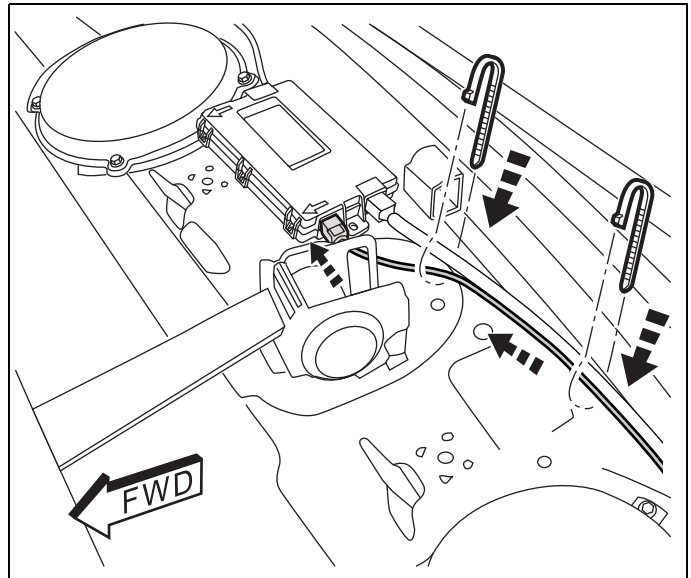
54. Route the Antenna Harness towards the driver side C-pillar. Secure the harness to the roof with the PIA christmas tree fasteners in the corresponding holes in the sheet metal.



55. Route the antenna harness down along the C-pillar. Secure the harness to the C-pillar with the PIA christmas tree fasteners in the corresponding holes in the sheet metal.



56. Plug the jumper harness into the new RF Hub module  
Use zip ties to secure the antenna harness to the existing vehicle harness.



57. Check all wiring and trim all cable ties.
58. Reverse steps as needed to reinstall trim panels and components at the rear seat area.

## PROGRAMMING IGNITION KEY FOBs

**NOTE:** The wiTECH software level must be at the latest release to perform this procedure.

**NOTE:** Do not put a Laptop or any wireless device (cell phone, audio device, etc.) on top of or near the center console. The RF Antenna is below the console.

1. Connect a battery charger to the vehicle.
2. With the wiTECH diagnostic application, perform the following steps:
  - Select "RADIO FREQUENCY HUB (RFH)"
  - Select the "MISCELLANEOUS FUNCTIONS" tab
  - Highlight "PROGRAM IGNITION FOBs"
  - Select "CONTINUE"
  - When you are instructed to "Press the Unlock button" it is important that you do not hold the button. Press it one time quickly.
  - Note on-screen instructions and select the "CLOSE" button
  - Cycle ignition key after the successful routine completion.
  - Program both new FOBs and also program the two original FOBs.

---

## PROGRAMMING THE RADIO FREQUENCY HUB (RFHUB)

**NOTE:** The wiTECH software level must be at the latest release to perform this procedure.

**NOTE:** Have the vehicle PIN readily available before running the routine

1. Connect a battery charger to the vehicle.
2. With the wiTECH diagnostic application, perform the following steps:
3. Turn the ignition ON.
  - Select "RADIO FREQUENCY HUB (RFH)"
  - Select the "MISCELLANEOUS FUNCTIONS" tab
  - Highlight "RFHUB REPLACE"
  - Select the "Start Misc Function" button
  - Select "NEXT"
  - Enter the PIN when prompted.
  - Select "NEXT"
  - Verify that the PIN number is correct
  - Once verified select "NEXT"
  - Select "NEXT"
  - Note OnScreen instructions and select the "CLOSE" button
  - Cycle ignition key after the successful routine completion.

## ECU RESET

1. Connect a battery charger to the vehicle.
2. With the wiTECH diagnostic application, perform the following steps:
  - Select the "DIAGNOSTIC PROCEDURES" tab
  - Highlight "RESET ECU"
  - Select "RADIO FREQUENCY MODULE (RFH)"
  - Note OnScreen instructions and select the "NEXT" button
  - Select "CLOSE"

## WINDOW CALIBRATION

**NOTE:** Vehicles equipped with the auto up feature must have the windows calibrated after a battery disconnect.

**NOTE:** All doors must be completely closed when starting this step.

1. Sit in the driver seat and close all doors.
2. Lower the window part of the way down.
3. Run the window to the full up position and continue to hold the switch for an additional two seconds.
4. Run the window to the full down position and continue to hold the switch for an additional two seconds.
5. Raise the window to the full up position.
6. Repeat the steps for the remaining windows.

## TEMPORARY REMOTE START DISABLE

1. Connect a battery charger to the vehicle.
2. With the wiTECH diagnostic application, perform the following steps:
  - Select "BODY CONTROL MODULE (BCM)"
  - Select the "MISC FUNCTIONS" tab
  - Highlight and select "TEMPORARY REMOTE START DISABLE"
  - Note on-screen instructions and select the "CONTINUE" button
  - Follow on-screen prompts and select the "SAVE" button, then the "CONTINUE" button
  - When complete, select "CLOSE"

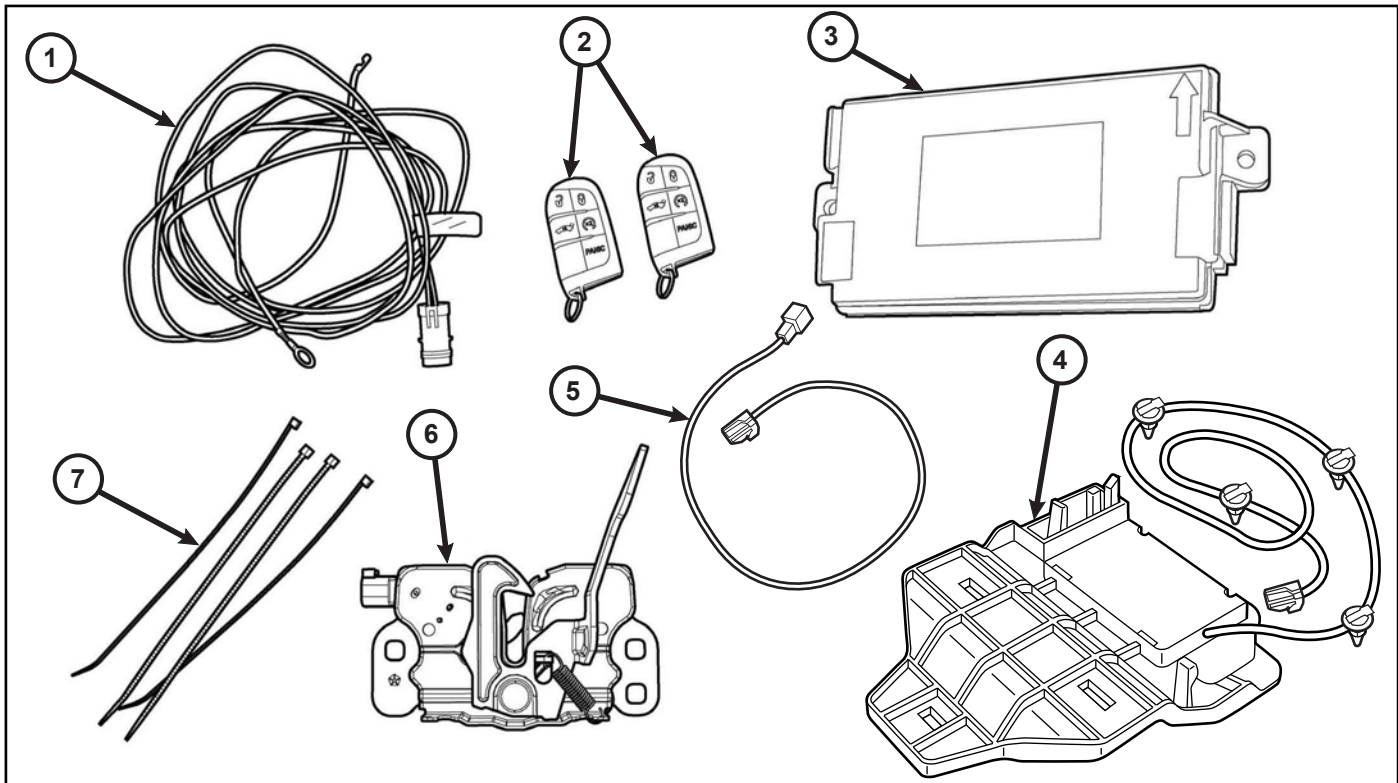
## CLEAR ALL DTCs



## CHRYSLER 300 / DODGE CHARGER

### Démarrage à distance

www.mopar.com



Numéro de légende	Description	Quantité
1	Faisceau de câblage de contacteur de capot	1
2	Télécommande avec clé intégrée (FOBIK)	2
3	Module de concentrateur de fréquence radio (concentrateur RF)	1
4	Antenne de démarreur à distance	1
5	Antenne cavalier harnais	1
6	Ensemble de loquet du capot	1
7	Attaches monousage	12

Outils requis	
Baguette de garnissage à fibre, petit pic/outil pour faire levier	Douilles de 10mm, 11mm, 12mm, T20 et T25
Tournevis à cliquet avec rallonges	Enduit d'étanchéité à vulcanisation à température ambiante (RTV) ou produit équivalent

#### ATTENTION:

XBM doit être ajouté à la base de données et la procédure de Restauration de configuration de véhicule (à l'aide d'analyseur contrôleur) effectuée avant de poser le nouveau module de concentrateur RF. Le défaut de procéder ainsi pourrait provoquer une défaillance de la fonction de démarrage à distance du module de concentrateur RF. Le technicien devrait attendre 1/2 heure entre l'ajout du code de vente XBM dans DealerConnect avant la pose du module de concentrateur RF et la restauration de la configuration du véhicule. Entre temps, le technicien peut poser d'autres composants à l'exception du module de concentrateur RF.



**REMARQUE:** Il est recommandé de lire soigneusement les instructions avant d'installer ce produit.

**REMARQUE:** Se il vous plaît obtenir à la fois la clé originale FOBs à partir de la client avant d'installer la fonction de démarrage à distance.

#### ÉTAPES DE LA PROCÉDURE :

#### METTRE À JOUR LA CONFIGURATION DU VÉHICULE

**REMARQUE:** Le niveau du logiciel wiTECH doit se situer à la plus récente édition pour exécuter cette procédure.

1. Le NIV doit être mis à jour avec le code commercial de l'accessoire ajouté pour autoriser la fonctionnalité du système. À l'aide du site Web DealerCONNECT et de la fonction de diagnostic wiTECH, compléter la configuration du véhicule.
2. Vous connecter à <https://dealerconnect.chrysler.com>.
3. Dans l'onglet "Service", à l'intérieur de la garantie administration boîte, localiser "Option de véhicules mises à jour." Entrez le VIN du véhicule et ajoutez le code de vente "XBM" (Démarreur à distance) en tant que "revendeur installé option".

#### ENREGISTRER CES DONNÉES AVANT DE DÉBRANCHER LA BATTERIE:

1. Avec le Witech application de diagnostic, effectuez les étapes suivantes:
  2. Sélectionnez l'option "RF Module Hub."
  3. Sélectionnez l'onglet "Data".
  4. Notez les noms et les valeurs de données pour chaque du capteur Tire identifiants. Ce sera nécessaire plus tard dans la procédure d'installation.

Obtenir un temporaire à 4 chiffres PIN nombre à partir de concessionnaire autorisé personnel. Ce code PIN est seulement valide pendant 24 heures. Si plus que cela, vous devez obtenir un nouveau PIN.

#### XBM (DÉMARRAGE À DISTANCE)

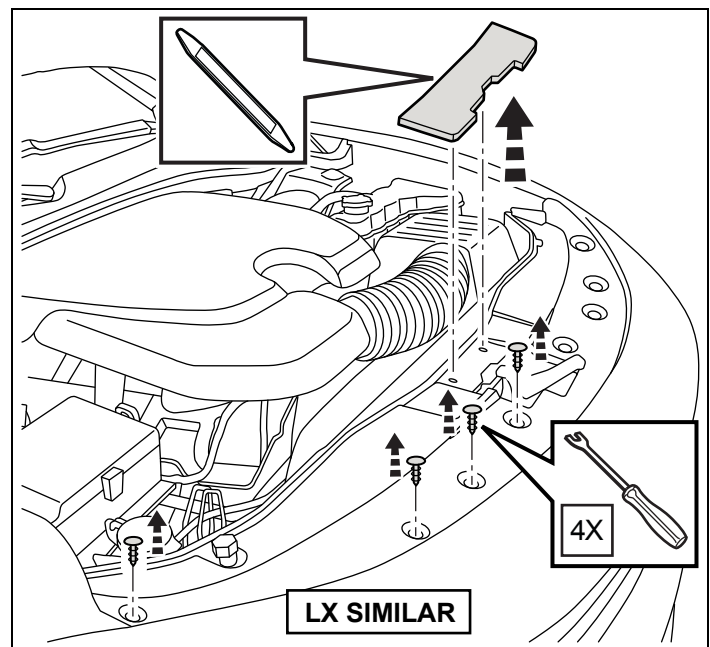
4. Confirmer que le nouveau code de vente a été correctement ajouté au NIV.
5. À l'aide de la fonction de diagnostic wiTECH, exécuter les étapes suivantes à partir de l'écran de démarrage initial (Initial Start Up Screen) :
  - Sélectionner l'onglet « DIAGNOSTIC PROCEDURES ».
  - Sélection "RESTAURER LA CONFIGURATION DU VÉHICULE"
  - Sélectionner le bouton « Run Diagnostic »
  - Sélectionner « CONTINUE»
  - S'assurer que le NIV du véhicule est correct.
  - Une fois la vérification faite, sélectionner le bouton « Correct VIN »
  - Noter les instructions qui apparaissent à l'écran et sélectionner le bouton « Close »

#### INSTALLATION DU CONTACTEUR DE CAPOT

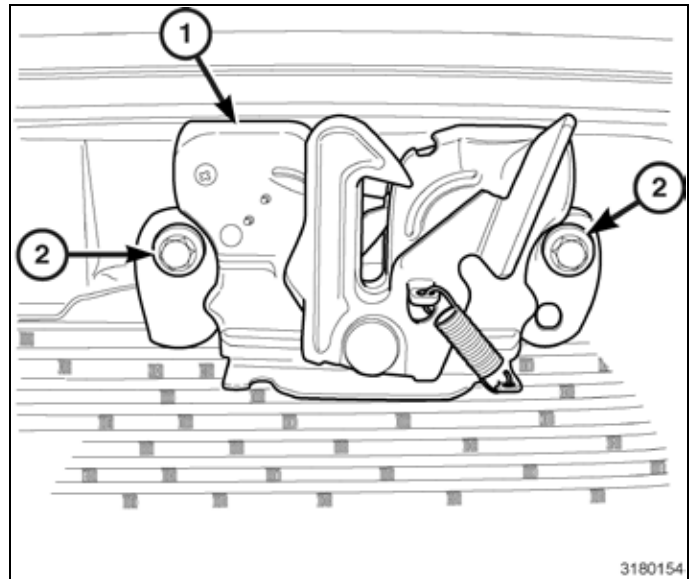
**REMARQUE:** Toutes les vues sont Chrysler, sauf indication contraire, vues Dodge semblables.

1. **Débrancher et isoler le câble négatif de la batterie.** La batterie se trouve sous le couvercle de compartiment bagages dans le coffre.
2. Retirez délicatement le panneau central de la garniture de la radiateur panneau de couverture. Supprimer (4) fixations à partir de la côté passager de la radiateur couverture panneau comme indiqué.

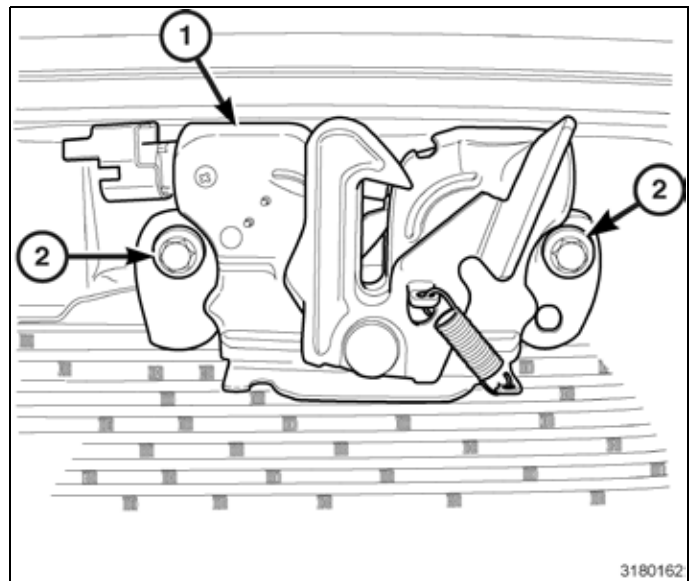
**REMARQUE:** Conservez toutes les pièces de fixation pour une réinstallation ultérieure.



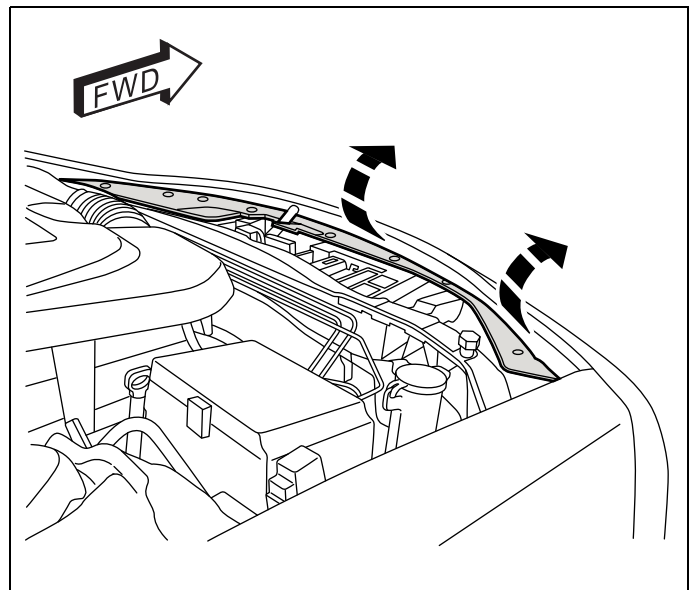
3. Déconnecter le câble du loquet du capot du loquet du capot (1).
4. À l'aide d'un crayon gras ou l'équivalent, marquer la position du loquet de capot (1) sur la traverse de radiateur supérieure.
5. Déposer les deux boulons (3) qui maintiennent le loquet de capot (1) à la traverse supérieure du radiateur et aux supports de soutien (2).
6. Déposer le loquet du capot (1) du véhicule.



7. Positionner le loquet de capot inclus dans la trousse (1) entre les supports de soutien (2) et la traverse supérieure du radiateur.
8. Poser les deux boulons (3) qui maintiennent le loquet du capot (1) à la traverse sans les serrer.
9. Aligner le loquet de capot (1) sur la traverse de cadre de châssis supérieure du radiateur, en utilisant les repères faits à l'étape de la dépose, et serrer les boulons à 27 N·m (20 lbf·ft).

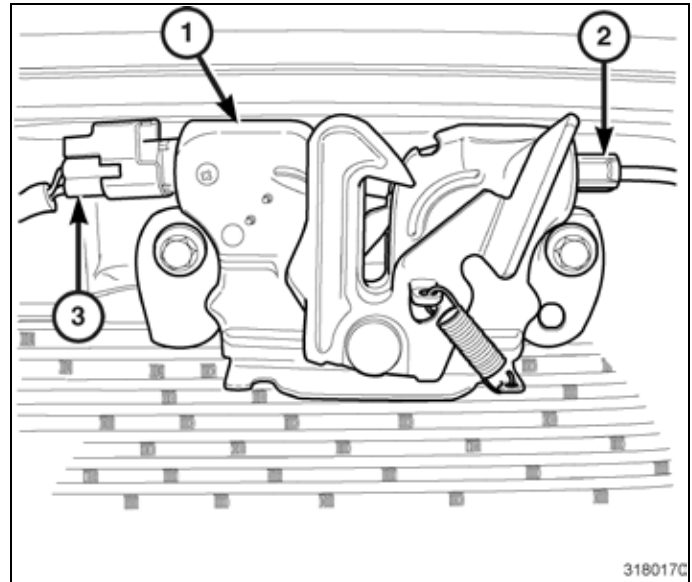


10. Retirez délicatement sur le bord arrière du radiateur couvrir panneau.



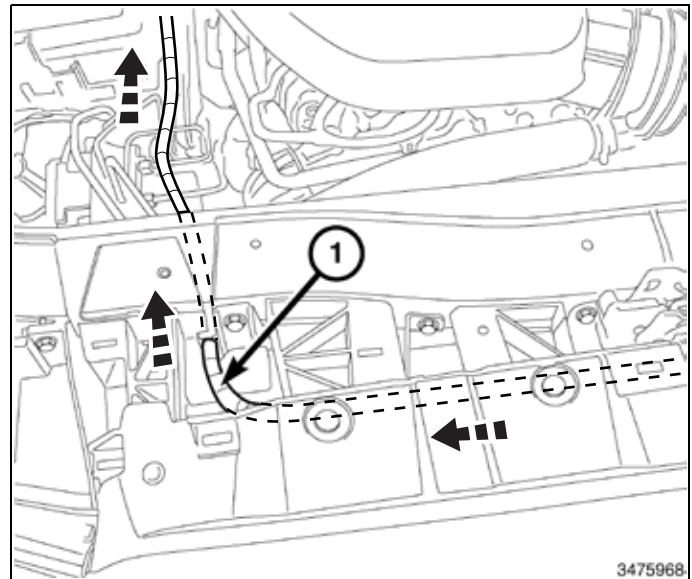
**REMARQUE:** Il peut y avoir une inutilisé installé en usine capot interrupteur harnais bande à la arrière de le existant véhicule harnais. Si elle est présente, détacher, et itinéraire à travers à la capot loquet assemblage et connecter. Si le usine capot interrupteur est pas prédéfinie, suivez les étapes 11 à 37.

11. Relier le capot loquet câble (2) à la capot loquet (1).
12. Relier la hotte entrouvert interrupteur harnais connecteur (3) à la capot loquet (1).

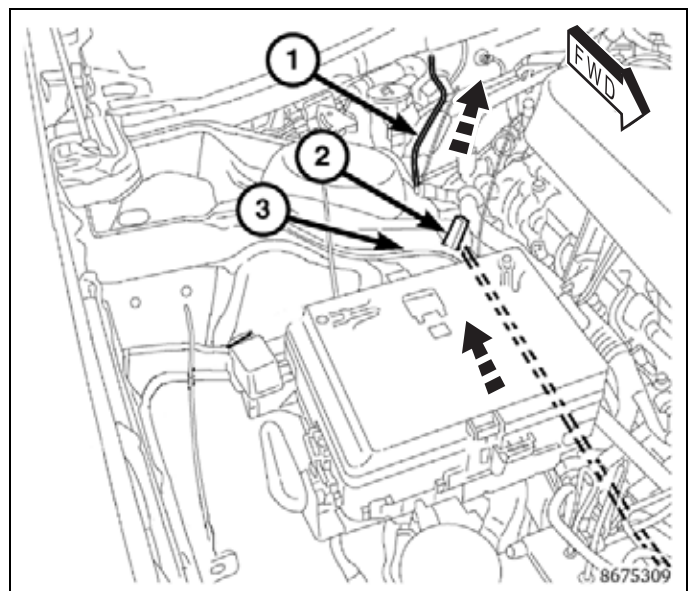


13. Obtenir le trousse fourni capot entrouvert interrupteur harnais (1), route le broches / sol œillet fin de le trousse fourni harnais départ à le capot loquet suivant le existant véhicule harnais (1) sous le renforts et par le ouverture entre le tête lampe et le radiateur soutien en le moteur compartiment.

**Remarque:** Attaches de câble doit être installé aucun plus espacés de 100 mm.



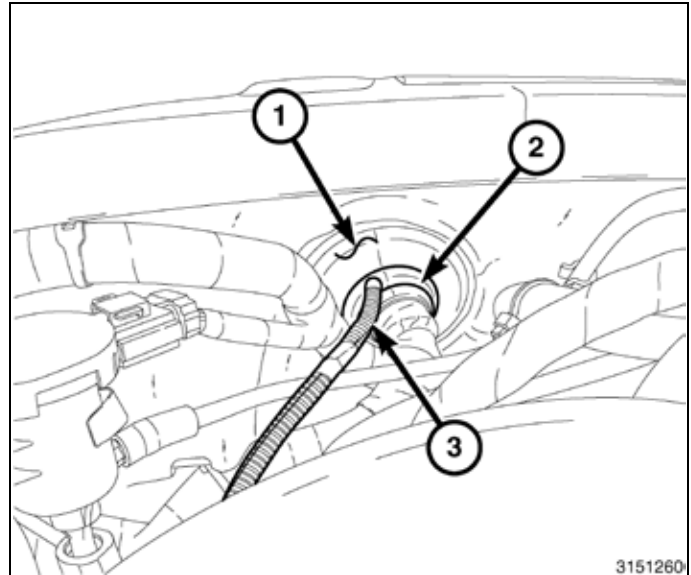
14. Acheminer le faisceau de commutateur de capot entrouvert (1) sous le module d'alimentation électrique totalement intégré (TIPM).
15. Déposer le goujon de masse (3) situé derrière le module d'alimentation électrique totalement intégré (TIPM) sur la tour d'amortisseur.
16. Poser l'oeillet de masse (3) au goujon de masse (2) et poser à nouveau sur la face intérieure de l'aile.
17. Fije el mazo de cables (1) de cables existente del vehiculo con las bridas proporcionadas en el kit.



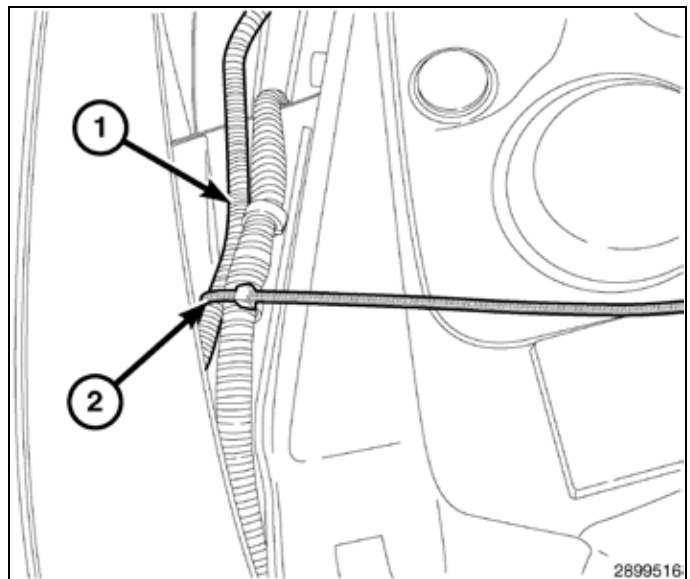
**REMARQUE:** Le passacâble est un passacâble à deux côtés muni de caoutchouc à l'intérieur du côté du véhicule et à l'extérieur du véhicule. S'assurer de percer tout le long des deux côtés. Prendre soin de ne pas compromettre le faisceau de câblage du moteur lorsque l'on perce le passacâble.

18. À partir du dessous du capot sur le côté droit de l'avant, percer précautionnement la seconde nervure (2) du passacâble du faisceau de moteur (1) et acheminer le faisceau reliant le démarreur à distance et le module confort/commodité (BCM) (3) (extrémité de fil de surplus) dans le compartiment passager.

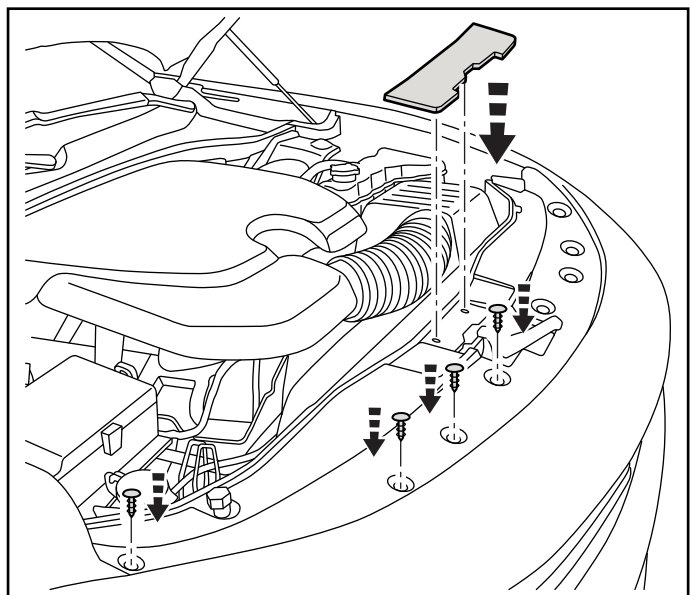
**NOTE:** Une lubrifiant appié à la fil volonté aider il passer à travers.



19. Tirer sur le faisceau (1) de l'intérieur du compartiment moteur pour éliminer l'excès de jeu.
20. À l'aide de l'attache à glissière (2) fournie dans la trousse, attacher le faisceau (1) au faisceau existant du véhicule.

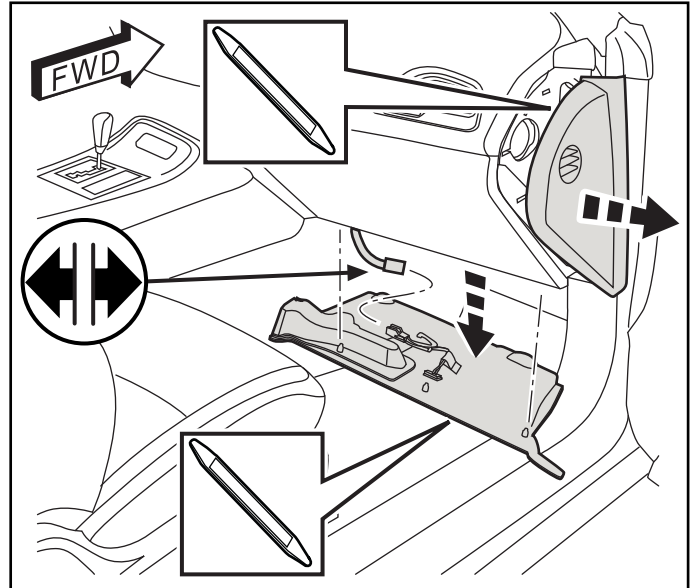


21. Réinstaller (4) fixations le passager côté de la radiateur couverture panneau comme représenté. Réinstaller le centre tailler panneau comme montré.

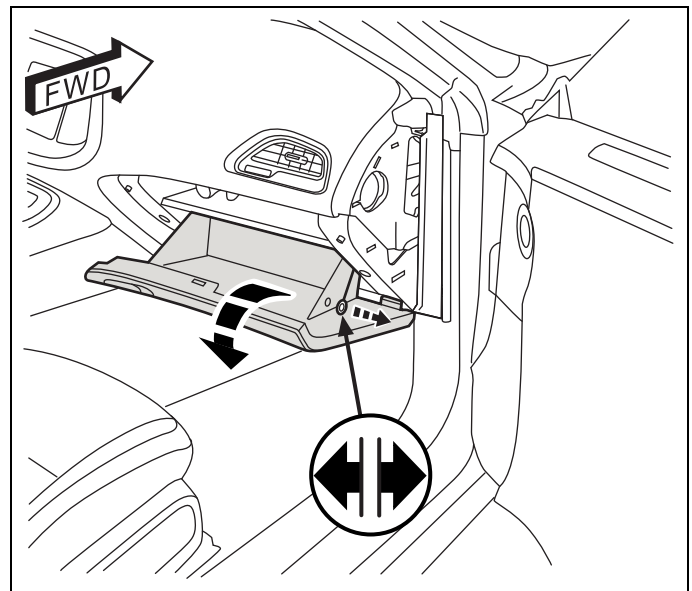


22. Fermez le capot, ajuster le loquet du capot si nécessaire.

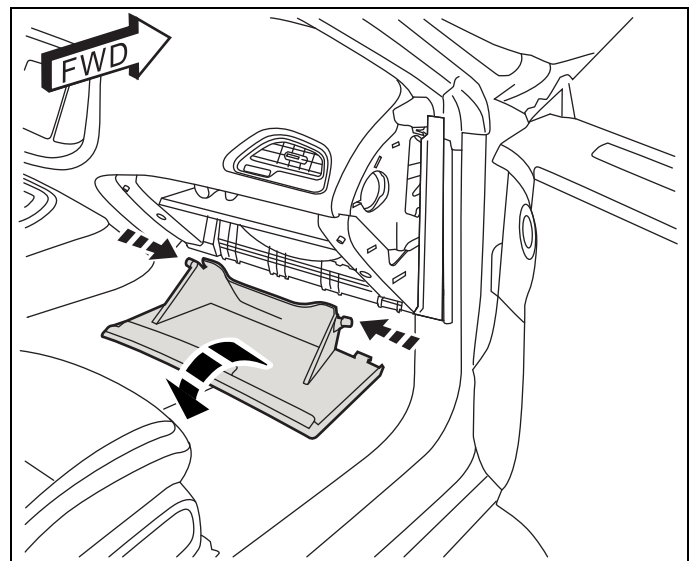
23. Déposer le bouchon d'extrémité droite de panneau de tableau de bord.
24. Déposer les pièces de retenue à poussoir de la plaque isolante droite du panneau de tableau de bord.
25. Débrancher le faisceau de DÉL (1) et retirer le silenlencieux du panneau de bord du côté droit (2).
26. Supprimer le panneau de couverture inférieur sous la boîte à gants. Débranchez pied bien lampe brancher. Retirez délicatement le panneau de garnissage à la fin du tableau de bord.



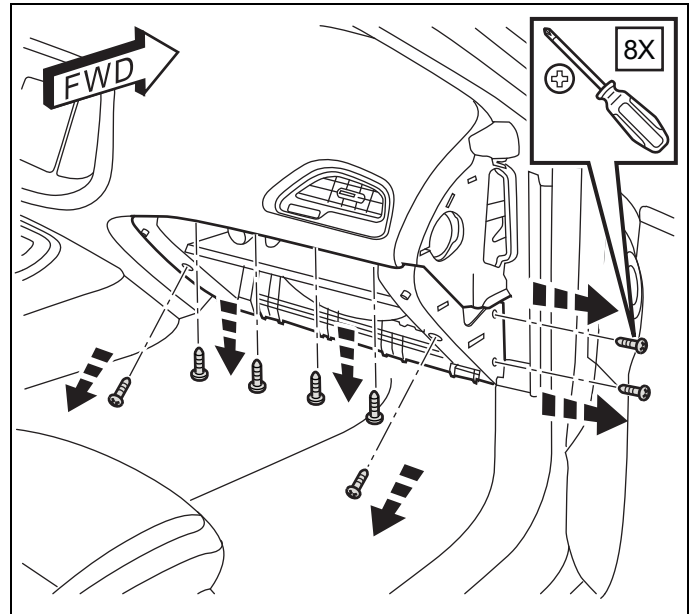
27. Ouvrez la boîte à gants et débranchez le câble de retenue.



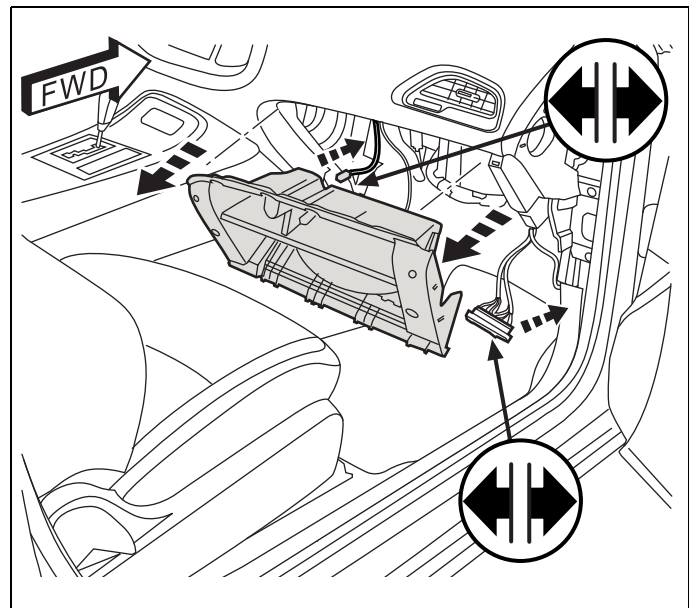
28. Détachez soigneusement les axes d'articulation de la boîte à gants et enlever la boîte à gants.



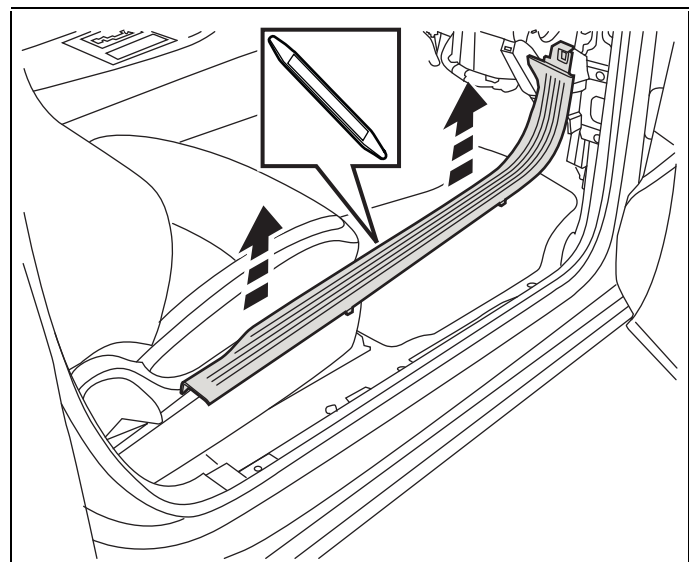
29. Supprimer (8) de fixation à partir de la boîte à gants lunette comme le montre.



30. Retirez le boîte à gants lunette à partir de la tîret et débrancher toutes les fiches.



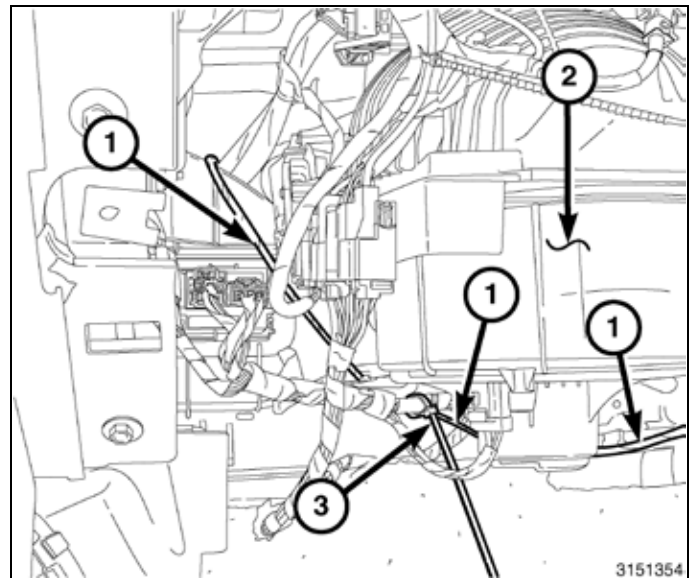
31. Soigneusement supprimer la porte de panneau de garniture. Retirer un (1) de fixation à partir de la partie inférieure bord avant de la à l'intérieur de custode panneau de garnissage.



**REMARQUE:** Juste avant tirant le capot entrouvert interrupteur à BCM harnais (1) par le passe-câble, appliquer RTV mastic pour le faisceau de câbles ¼ pouce avant du conduit (dans le compartiment moteur) pour le sceller.

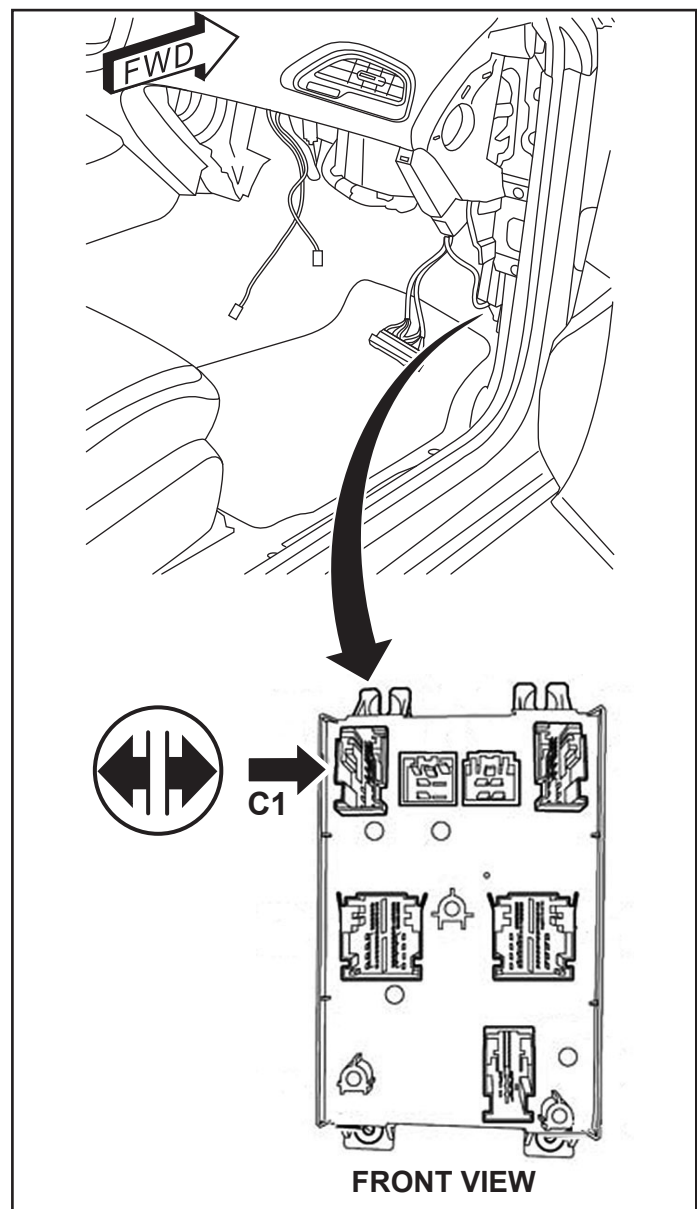
32. Partir de à l'intérieur le passager un compartiment, localiser le harnais (1) et tirer par pour asseoir le harnais canal contre le passe-fil dans le moteur compartiment.
33. Acheminer le faisceau (1) situé sur la RH coup de pied panneau et assurer avec cravate sangles (3) si nécessaire.

**Remarque:** Dans le intérieur cabine, câble liens devrait être installé aucun plus loin que 150mm à part.

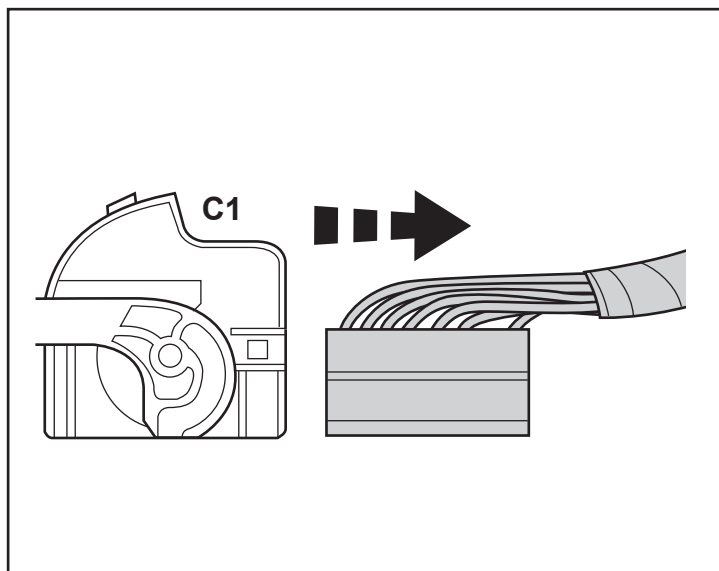


34. Le haut gauche connecteur (C1) volonté besoin pour être accédé pour le nouveau capot interrupteur harnais connecteur fil.

**REMARQUE:** Les connecteurs de la BCM sont plus faciles d'accès si le grand Connecteur CVC est retiré en premier.

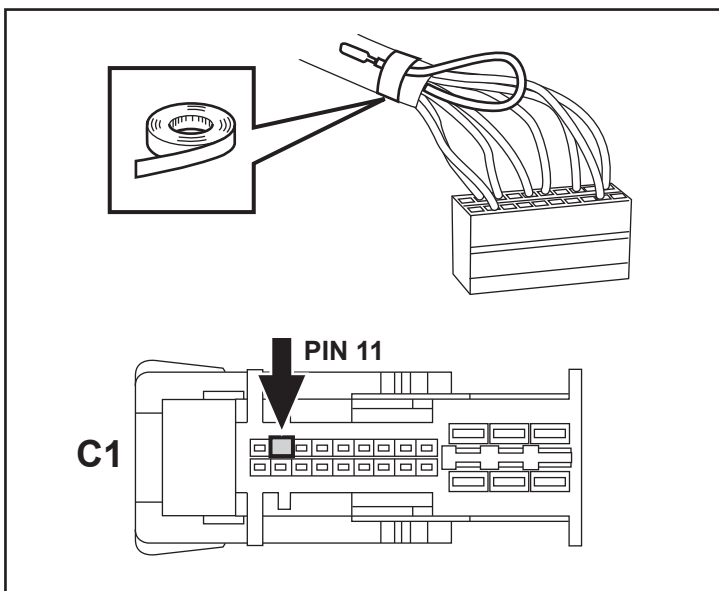
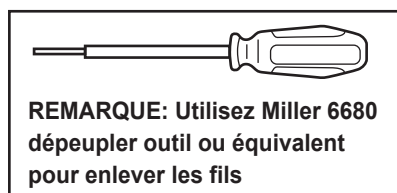


35. Appuyez sur les pattes de dégagement à l'arrière de la connecteur et faites glisser la fiche de la extérieur boîtier.

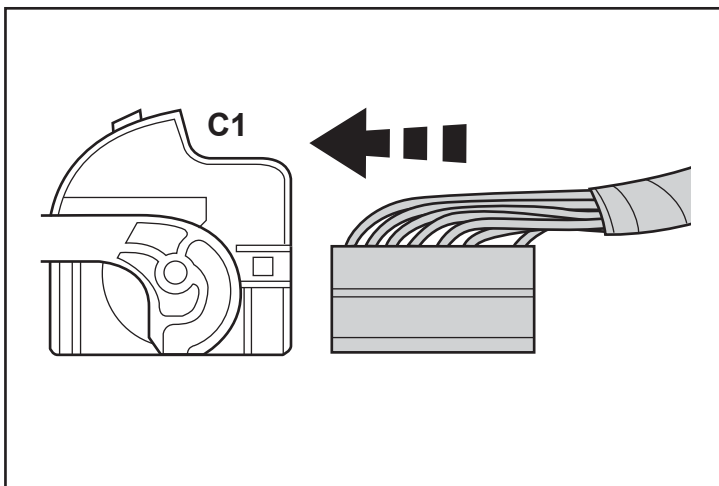


36. Appuyez sur les pattes de dégagement à l'arrière de la connecteur et faites glisser la fiche de la extérieur boîtier.

**NOTE: Si la broche 11 a un usine harnais fil actuellement, supprimer le usine fil et bande à l'arrière sur le harnais.**

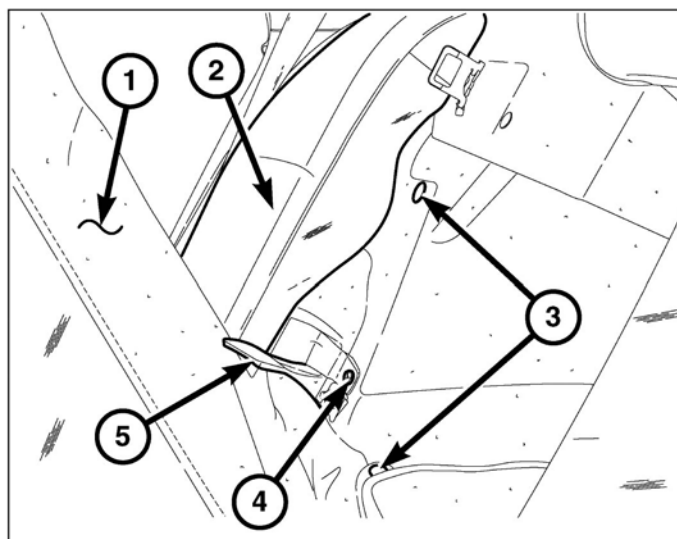


37. Réinstall le extérieur couverture sur le Connecteur. Fiche le connecteurs arrière en le BCM.

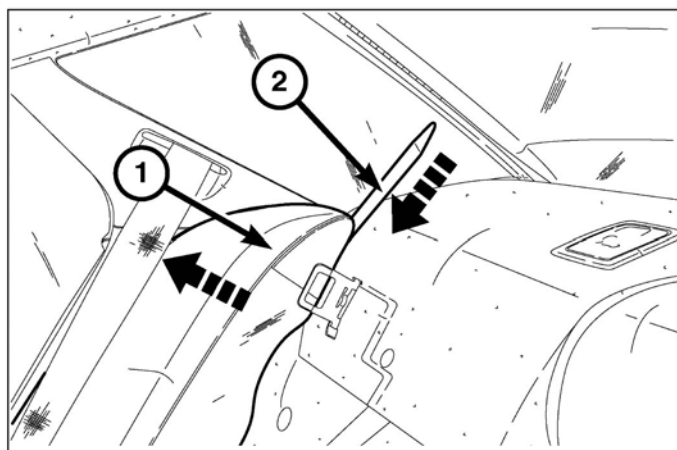




38. Tirer le dossier de siège du côté droit (1) vers l'avant, pour exposer le coffre.
39. Derrière le siège arrière côté droit, tirer l'onglet de moquette (5) vers le haut, pour exposer le boulon de retenue du support de rembourrage latéral du dossier de siège arrière (4).
40. Déposer le boulon de support de rembourrage latéral de dossier de siège arrière droit (4).

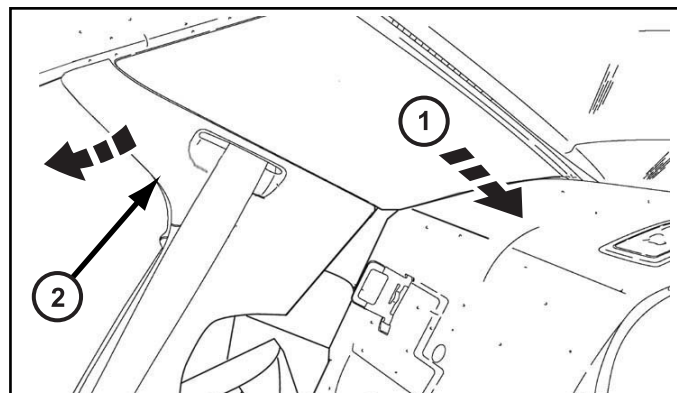


41. Utiliser une baguette de garnissage (2) ou un outil équivalent, l'enfoncer entre la tablette arrière et le rembourrage de dossier de siège arrière droit (1) pour dégager l'agrafe de retenue, et tirer le rembourrage de dossier de siège (1) pour le déposer.



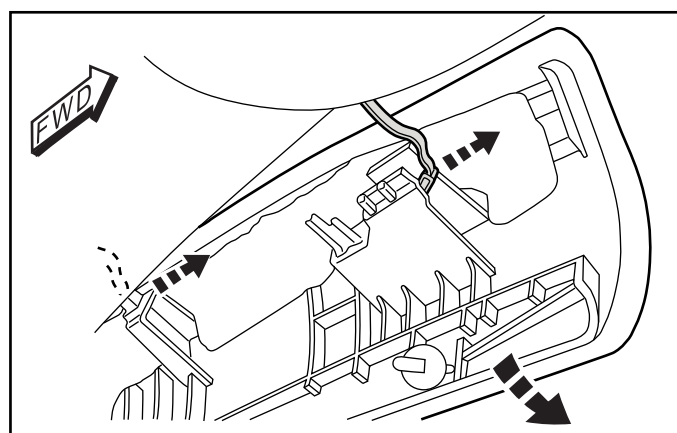
42. Utiliser une baguette de garnissage soigneusement supprimer le supérieur C-pilier panneau (1).

**REMARQUE: Pour les modèles LX, le panneau de garnissage inférieur (2) sera doivent être supprimés ainsi.**

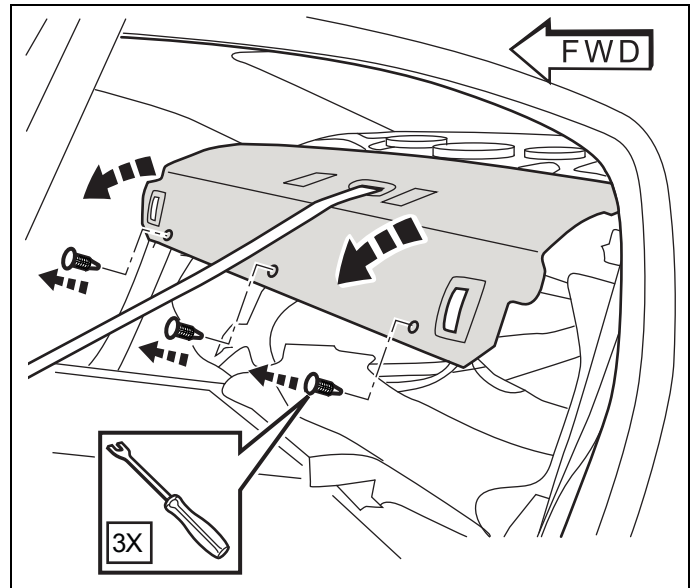


43. Déconnecter (2) sangles de sécurité. Retirez le panneau à partir de le véhicule.

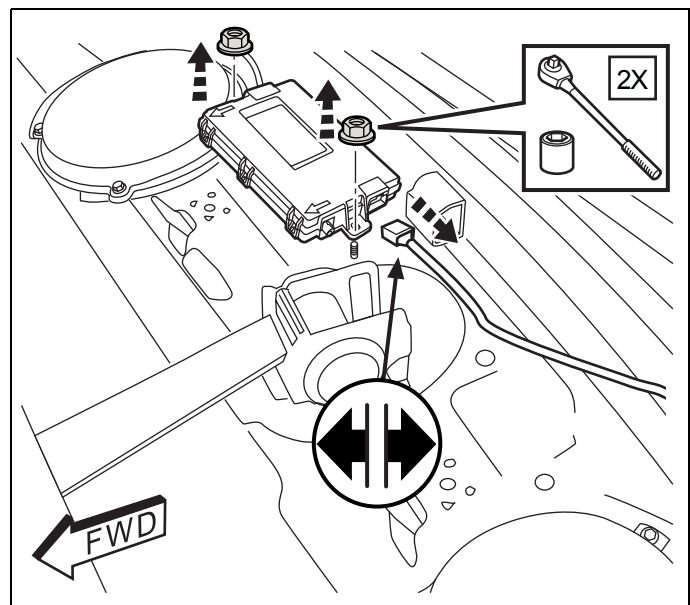
44. Répéter les étapes 38 à 43 sur le côté du conducteur.



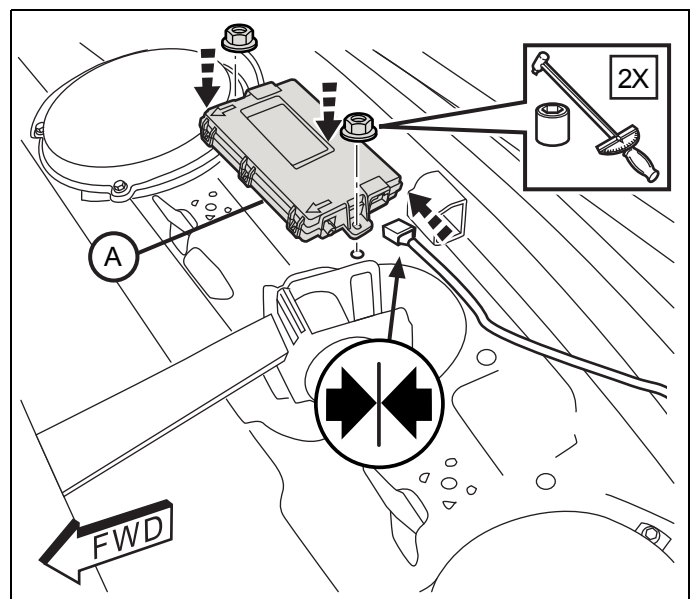
45. Déposer l'attache à ressort (1) fixant le garnissage au panneau de tablette arrière (3).
46. Faire glisser le panneau de garnissage (2) vers l'avant pour déclencher l'attache de type S fixant la partie inférieure du garnissage au centre du panneau de tablette .
47. Placer le panneau de garnissage (2) à l'écart du panneau de tablette arrière.



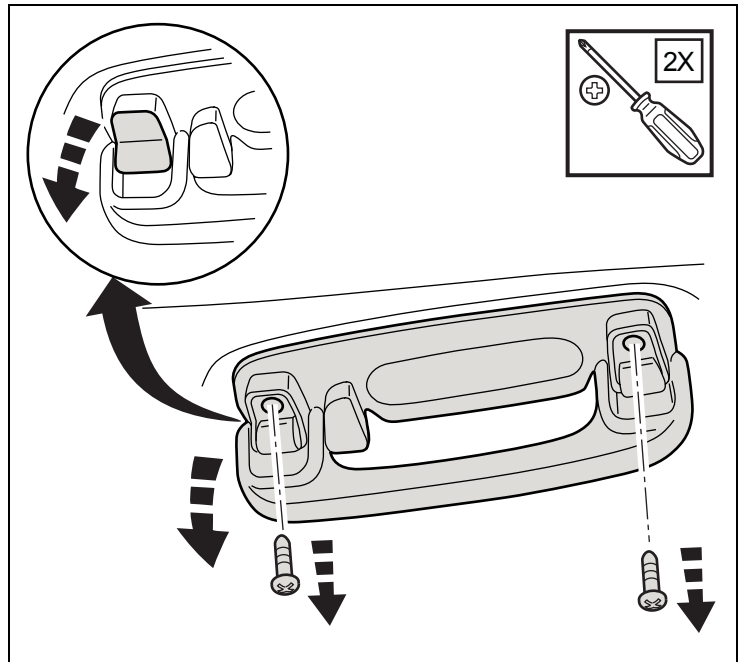
48. Localisez le existant RF Hub Module sur le pont arrière. Couper tous harnais des connecteurs. Retirez les deux (2) éléments de fixation. Retirez le concentrateur RF Module.



49. Installez le nouveau RF Hub Module (A) sur le pont arrière avec deux (2) attaches d'origine. Réinstallez tous les connecteurs. Serrer à 2,2 N m (19 lb-po.)

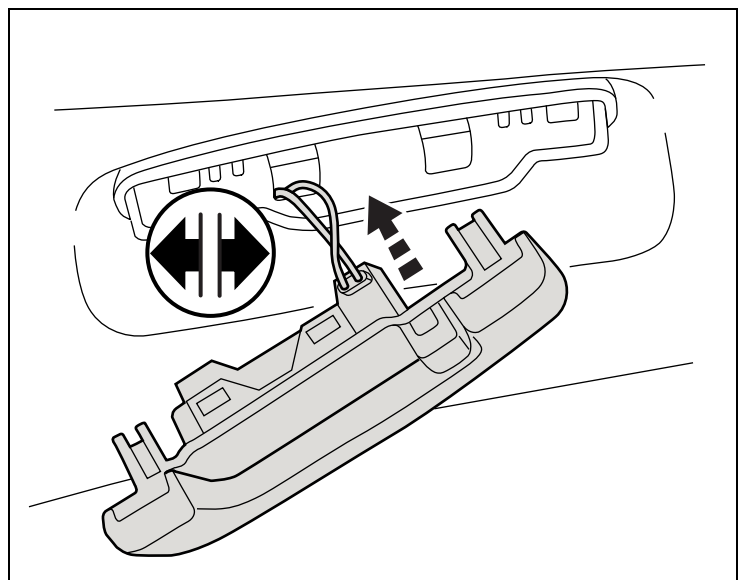


50. Retirez les deux (2) éléments de fixation couvertures à partir de la arrière saisir manipuler. Retirez les deux (2) éléments de fixation à partir de la traiter comme indiqué.

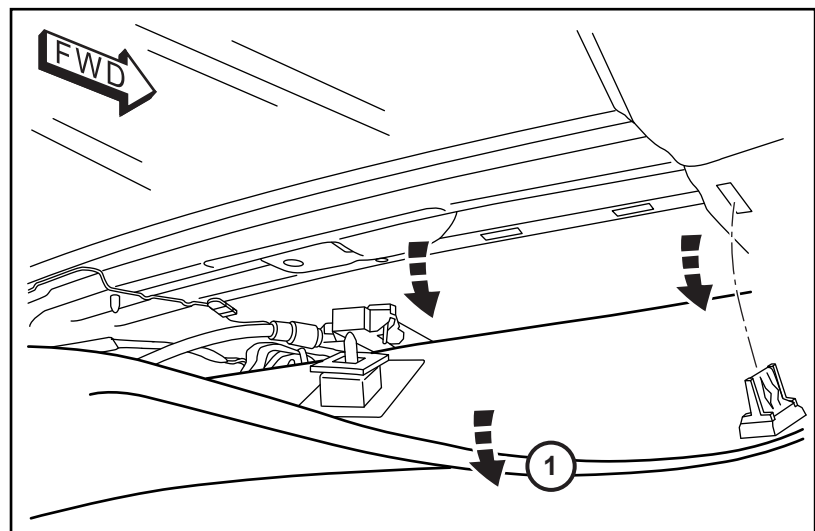


51. Débranchez le courtoisie lampe fiche à l'arrière de la poignée. Retirer la poignée à partir de le véhicule.

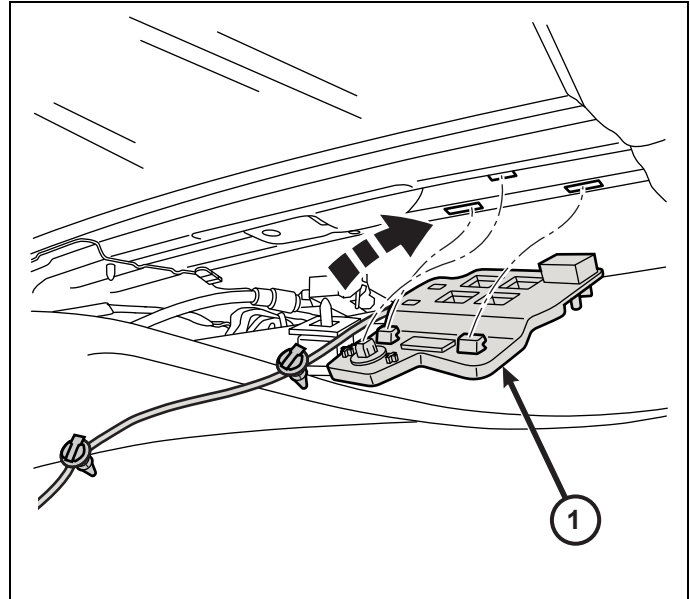
**Répéter pour l'autre côté de véhicule.**



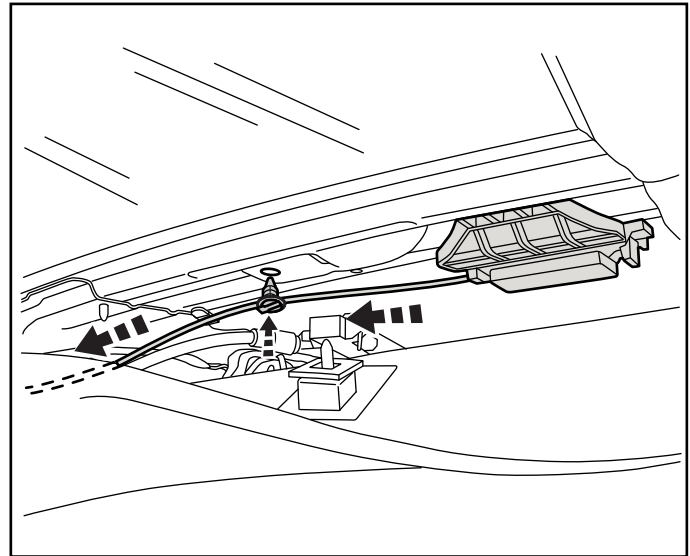
52. Utilisez un rognier bâton à pry vers le bas tout clips et des aimants sous le bord arrière de la tête d'affiche (1).



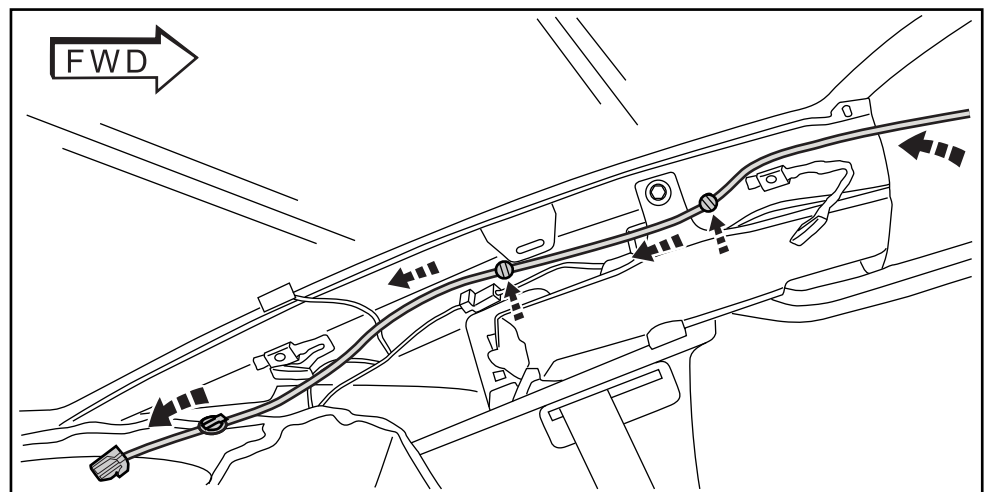
53. Installer le antenne Assemblée (1) en le toit traverser bar par claquement le deux montage clips le support en le existant fentes comme représenté.



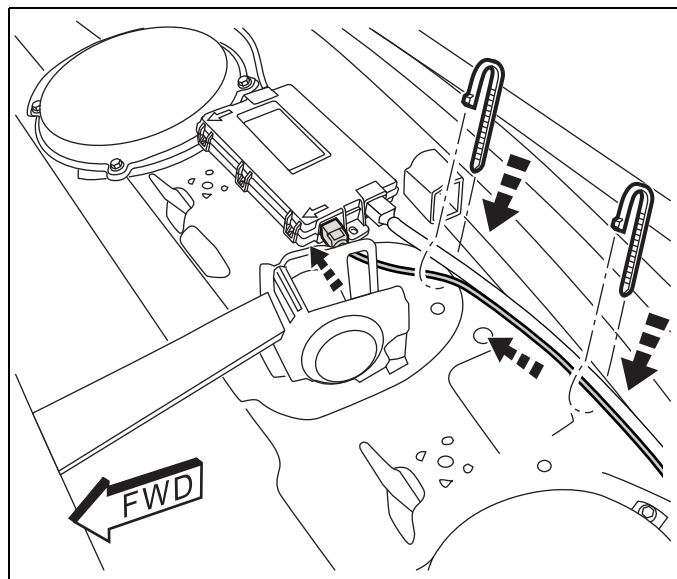
54. Route le antenne harnais vers le conducteur côté C-pilier. Sécurisé le harnais à la toit avec le PIA Noël arbre fixations dans le correspondant trous dans le feuille métal.



55. Route le antenne harnais vers le bas le long de le C-pilier. Sécurisé le harnais à la C-pilier avec le PIA Noël arbre fixations dans le correspondant trous dans le feuille métal.



56. Branchez le harnais de cavalier dans le nouveau RF Hub module. Utilisation câble liens à assurer l'antenne harnais à la harnais de véhicule existant.



57. Vérifier tout le câblage et tailler tous câble liens.
58. Inversez les étapes que nécessaire pour réinstaller les panneaux et les composants des garnitures à la zone du siège arrière.

## PROGRAMMATION ALLUMAGE KEY FOBIK

**REMARQUE:** Le niveau du logiciel wiTECH doit se situer à la plus récente édition pour exécuter cette procédure.

**REMARQUE:** Ne pas mettre d'ordinateur portable ou tout autre appareil sans fil (téléphone cellulaire, appareil audio, etc.) sur le sommet ou près de la console centrale. L'antenne RF se trouve en dessous de la console.

1. Brancher un chargeur de batterie à la véhicule.
2. À l'aide de la fonction diagnostic wiTECH, exécuter les étapes suivantes:
  - Sélectionner "RADIO FRÉQUENCE HUB (RFH)"
  - Sélectionne l'onglet «MISCELLANEOUS FUNCTIONS»
  - Mettre en évidence "Programmer les clés FOBIK"
  - Sélectionner «CONTINUE»
  - Lorsque vous êtes invité à "Presse le ouvrir bouton" il est important que vous ne maintenez pas le bouton. Appuyez sur ce bouton une fois rapidement.
  - Remarque instructions à l'écran et sélectionnez le bouton "FERMER"
  - Cycle clé de contact après l'achèvement réussi de routine.
  - Programme les deux nouveau FOBIKs et aussi programmer les deux FOBIKs originaux.

## PROGRAMMATION DE RADIO FRÉQUENCE HUB (RFHUB)

**REMARQUE:** Le niveau du logiciel wiTECH doit se situer à la plus récente édition pour exécuter cette procédure.

**REMARQUE:** Avoir le PIN du véhicule à portée de la main avant de lancer la routine.

1. Brancher un chargeur de batterie au véhicule.
2. À l'aide de la fonction de diagnostic wiTECH, exécuter les étapes suivantes :
3. Mettre la clé de contact à la position Marche.
  - Sélectionner "radio fréquence hub (RFB)"
  - Sélectionne l'onglet « MISCELLANEOUS FUNCTIONS »
  - Mettre en évidence "Remplacer le concentrateur RF"
  - Sélectionne le bouton « Start Misc Function »
  - Sélectionner "SUIVANT"
  - Entrer le NIP à l'invite.
  - Sélectionner "SUIVANT"
  - S'assurer que le numéro de NIP est correct.
  - Une fois la vérification faite, sélectionner « SUIVANT»
  - Sélectionner "SUIVANT"
  - Noter les instructions qui apparaissent à l'écran et sélectionner le bouton « FERMER»
  - Effectuer le cycle de clé de contact après avoir terminé la routine avec succès.

## RÉINITIALISATION DE L'ECU

1. Brancher un chargeur de batterie au véhicule.
2. À l'aide de la fonction de diagnostic wiTECH, exécuter les étapes suivantes :
  - Sélectionner l'onglet « DIAGNOSTIC PROCEDURES »
  - Mettre en surbrillance « RESET ECU »
  - Sélectionner « RADIO FREQUENCY MODULE (RFH) »
  - Noter les instructions qui apparaissent à l'écran et sélectionner le bouton « NEXT »
  - Sélectionner "FERMER" (terminé).

## ÉTALONNAGE OF LA FENETRE

**REMARQUE:** Les véhicules équipés de la auto en haut caractéristique doit avoir les fenêtres calibrés après une déconnexion de la batterie.

**REMARQUE:** Toutes les portes doivent être fermées complètement lors du démarrage de cette étape.

1. S'asseoir dans le siège du conducteur et fermer la porte.
2. Abaisser légèrement la glace.
3. Fermer la glace complètement et laisser la commande enfoncée deux secondes additionnelles.
4. Ouvrir complètement la glace et garder la commande enfoncée deux secondes additionnelles.
5. Fermer la glace en position complètement fermée.
6. Répéter ces étapes pour les autres glaces.

## TEMPORAIRE ÉLOIGNÉ DÉBUT DÉSACTIVER

1. Brancher un chargeur de batterie au véhicule.
2. À l'aide de la fonction de diagnostic wiTECH, exécuter les étapes suivantes :
  - Sélectionner "Module confort/commodité (BCM)"
  - Sélectionner l'onglet "Fonctions diverses"
  - Mettre en surbrillance et sélectionner « TEMPORARY REMOTE START DISABLE »
  - Noter les instructions qui apparaissent à l'écran et sélectionner le bouton « NEXT »
  - Suivez les instructions à l'écran et sélectionnez le bouton "Enregistrer", puis sur le bouton «Continuer»
  - Lorsque vous avez terminé, sélectionnez "CLOSE"

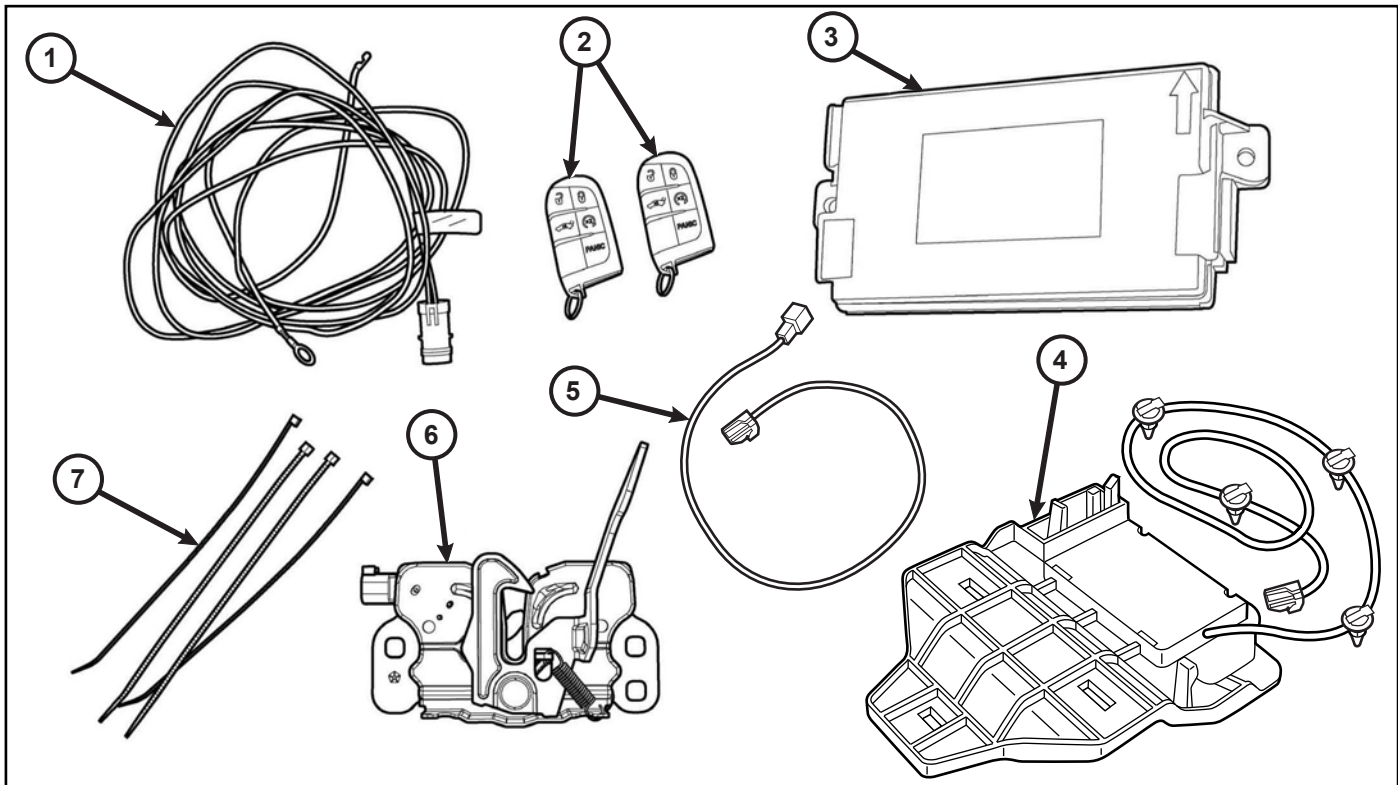
## EFFACER TOUT DTCs



## CHRYSLER 300 / DODGE CHARGER

### Arranque remoto

www.mopar.com



Elemento	DESCRIPCION	Cantidad
1	Mazo de cables del conmutador del capó	1
2	FOBIK	2
3	Módulo de núcleo de frecuencia de radio (núcleo RF)	1
4	Antena de arranque remoto	1
5	Antena Puente Arnés	1
6	Conjunto del pestillo del capó	1
7	Bridas	12

#### HERRAMIENTAS NECESARIAS

Varila de punta plana/fibra, pequeña herramienta de pico/palanca	Casquillos de 10 mm, 11 mm, 12 mm, T20 y T25
Trinquetes con extensiones	Sellante RTV o equivalente

**PRECAUCIÓN:** El sistema de arranque remoto XBM SÓLO puede montarse en vehículos que tengan las siguientes opciones de fábrica: transmisión automática, apertura a distancia e inmovilizador. El código de ventas XBM se debe añadir a la base de datos y se debe realizar la restauración de configuración del vehículo (con una herramienta de diagnóstico) antes de montar el nuevo módulo de núcleo de RFHUB. De lo contrario, no estará operativa la función de arranque remoto del módulo de núcleo de RFHUB. El técnico debe esperar 1/2 horas entre añadir el código de ventas XBM en DealerConnect antes de montar el módulo de núcleo de RFHUB y restaurar la configuración del vehículo. En este periodo de tiempo el técnico puede instalar todos los otros componentes excepto el módulo de núcleo de RFHUB.

**NOTA:** Se recomienda leer detenidamente las instrucciones antes de instalar este producto.

**NOTA:** Por favor, obtener AMBOS llave original FOBs por parte del cliente antes de instalar la función de arranque remoto.

#### PASOS DEL PROCEDIMIENTO:

#### ACTUALIZACIÓN DE LA CONFIGURACIÓN DEL VEHÍCULO

**NOTA:** El nivel del software de wiTECH debe ser el de la última versión para realizar este procedimiento.

1. Para activar la funcionalidad del sistema, el VIN debe actualizarse con el código de venta del accesorio añadido. Con la página web de DealerCONNECT y la aplicación de diagnóstico wiTECH, complete la configuración del vehículo.
2. Conéctese a <https://dealerconnect.chrysler.com>.
3. En la pestaña "Servicios", el interior de la caja de la Administración de Garantía, localizar "Opción de Vehículos actualizaciones". Introduzca el vehículo VIN y añadir el código de ventas "XBM" (Arranque remoto) como una "Opción instalada por el distribuidor".

#### REGISTRO ESTOS DATOS ANTES DE DESCONECTAR LA BATERIA:

1. Con la aplicación de diagnóstico WiTECH, lleve a cabo los siguientes pasos:
2. Seleccione la opción "HUB módulo de RF."
3. Seleccione la pestaña "Datos".
4. Anote los nombres y valores de los datos para cada uno de los neumáticos del sensor de identificación de. Esto será necesario más adelante en el procedimiento de instalación

Obtener el número temporal PIN de 4 dígitos desde personal de los concesionarios autorizados. Este PIN sólo es válido durante 24 horas. Si tienen más de eso, usted debe obtener un nuevo PIN

#### XBM (ARRANQUE REMOTO)

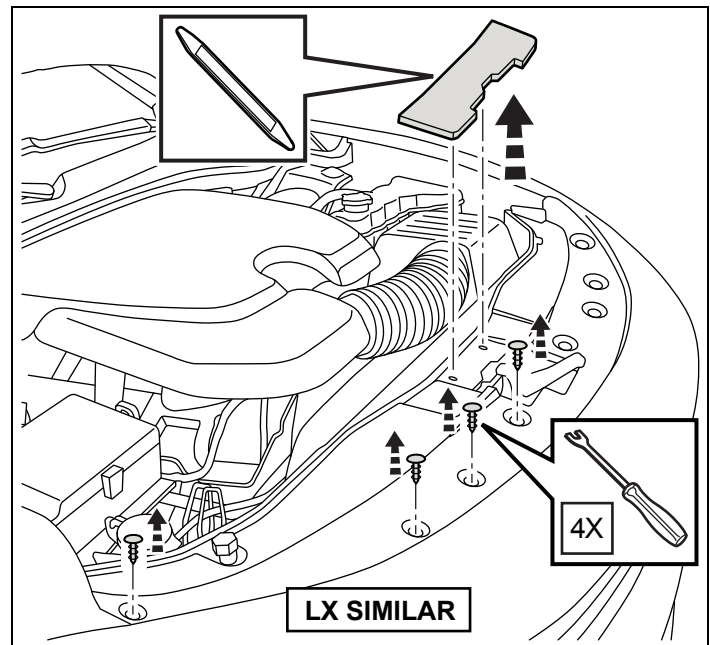
4. Confirme que el nuevo código de las ventas ha sido agregado con éxito a la VIN.
5. Con la aplicación de diagnóstico wiTECH, lleve a cabo los siguientes pasos de la Pantalla de arranque inicial:
  - Seleccione la pestaña "DIAGNOSTIC PROCEDURES" (Procedimientos de diagnóstico).
  - Seleccione el botón "Run Diagnostic" (Ejecutar diagnóstico)
  - Seleccione "CONTINUE" (Continuar).
  - Compruebe que el número VIN del vehículo es correcto.
  - Una vez comprobado, seleccione el botón "Correct VIN" (VIN correcto).
  - Anote las instrucciones que aparecen en pantalla y seleccione el botón "Close" (Cerrar).

#### MONTAJE DEL CONMUTADOR DEL CAPÓ

**NOTA:** Todas las vistas son de Chrysler, salvo donde se indica. Las de Dodge son similares.

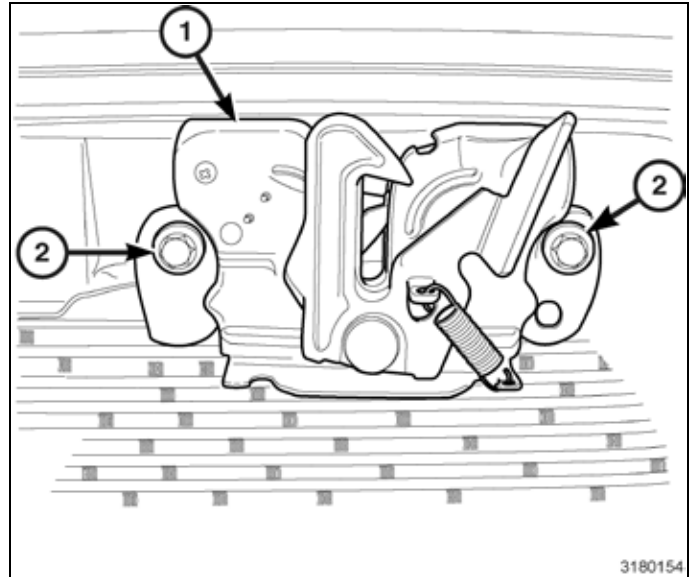
1. **Desconecte y aisle el cable negativo de la batería.** La batería está situada bajo la cubierta de carga en el maletero.
2. Haga palanca con cuidado el centro recortar panel desde radiador cubierta panel. Retire (4) sujetadores desde del lado del pasajero del radiador cubierta panel como se muestra.

**NOTA:** Conserve todos los tornillos para su posterior instalación.

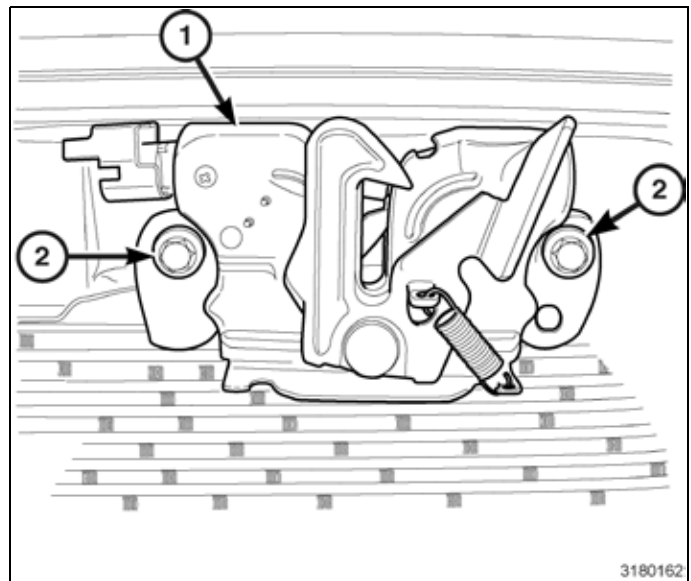




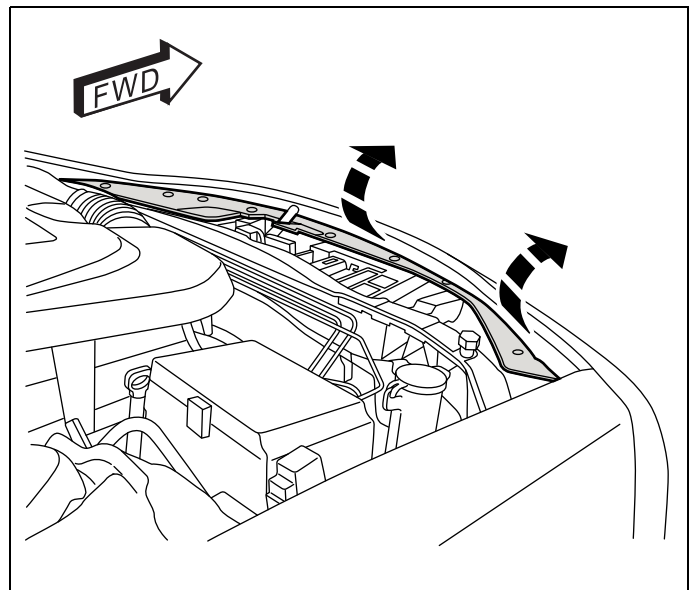
3. Desconecte el cable del pestillo del capó del pestillo del capó (1).
4. Utilizando un lápiz de cera o equivalente, marque la posición del pestillo del capó (1) en el travesaño superior del radiador.
5. Retire los dos pernos (3) que fijan el pestillo del capó (1) al travesaño superior del radiador y a los soportes (2).
6. Retire el pestillo del capó (1) del vehículo.



7. Coloque el pestillo del capó suministrado en el kit (1) entre los soportes (2) y el travesaño superior del radiador.
8. Monte sin apretar los dos pernos (3) que fijan el pestillo del capó (1) al travesaño.
9. Alinee el pestillo del capó (1) con el travesaño superior del radiador usando las marcas de referencia realizadas durante el paso de desmontaje y apriete los tornillos a 27 N·m (20 lb ft).

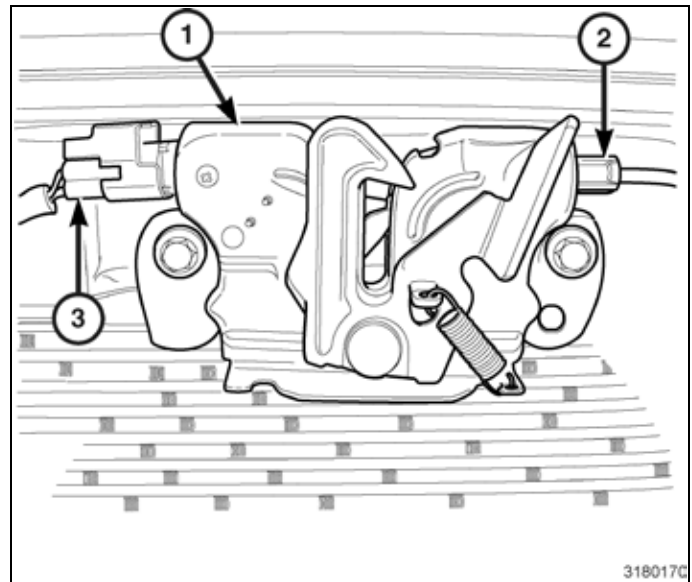


10. Haga palanca con cuidado en el borde posterior del radiador panel de la cubierta



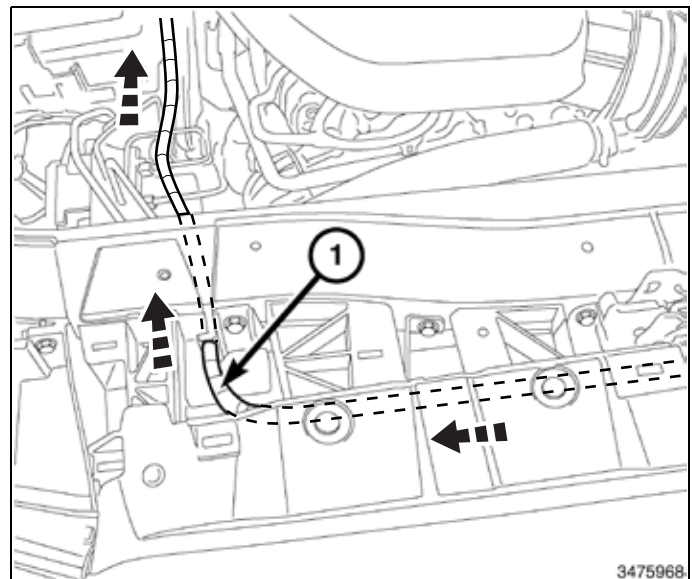
**Nota:** Allí puede ser un no usado fábrica instalado capó interruptor arneses pegado a la espalda del arnés del vehículo existente. Si está presente, separarla, ruta que a través de para el cierre de la capilla montaje y conectar. Si el cableado del interruptor del capó fábrica no es preestablecido, siga los pasos del 11 al 37.

11. Conecte el cierre del capó cable (2) para el cierre del capó (1).
12. Conecte el conmutador de capó entreabierto conector de mazo del (3) a la capó pestillo (1).

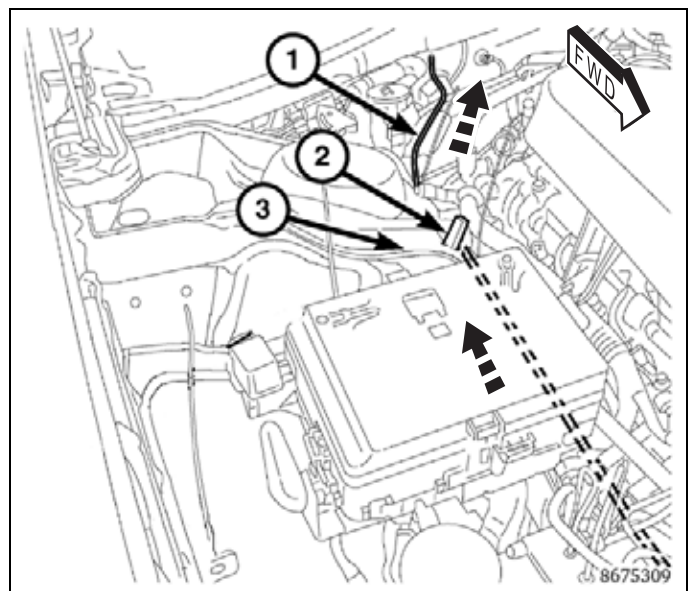


13. Obtenga el kit de campana suministrada arnés interruptor entreabierto (1), ruta el ojal pin/tierra del kit suministrado arnés de partida al capó pestillo siguiendo los existente vehículo arneses (1) bajo la refuerzos y a través de la abertura entre la lámpara de cabeza y la soporte del radiador en el compartimiento del motor.

**Nota:** Cable lazos debería ser instalado no más lejos que 100mm aparte.

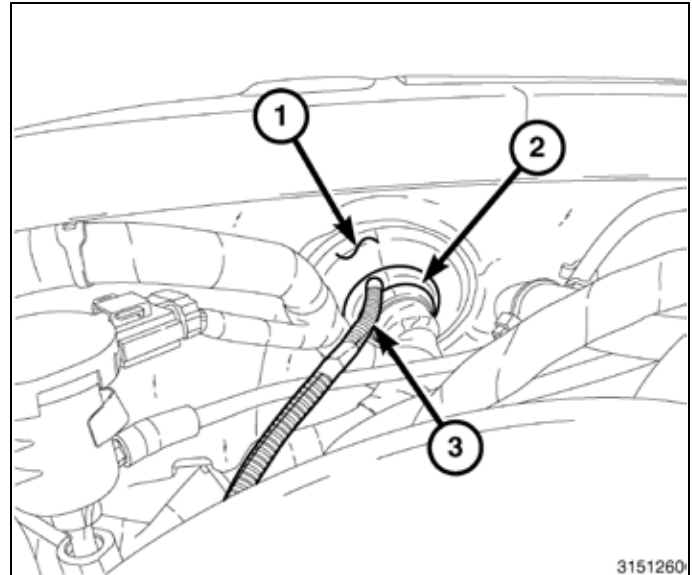


14. Realice el tendido del mazo de cables del conmutador del capó entreabierto (1) bajo la del TIPM.
15. Desmonte el vástago de masa (3) ubicado detrás del TIPM en la torre de amortiguación.
16. Monte la toma de masa (3) en el vástago de masa (2) y vuelva a montar la conexión a masa en la parte interior de la aleta.
17. Attacher le faisceau (1) l'aide des courroies d'attache fournies dans la trousse.



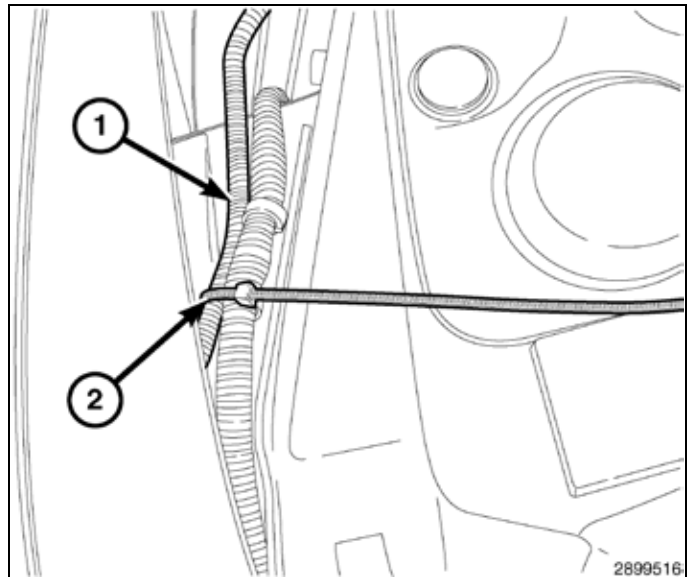
**NOTA:** La ojal es una arandela de doble cara con goma en la parte interior y exterior del vehículo. Asegúrese de perforar completamente a través de ambos lados. Tenga cuidado de dañar el mazo de cables del motor cuando perforo la ojal.

18. Desde debajo del capó en el lado derecho del panel inferior del parabrisas, perforo con cuidado el segundo saliente (2) de la arandela pasante del mazo de cables del motor (1) y realice el tendido del mazo de cables de arranque remoto al BCM (3) (afloje el extremo del cable) en el compartimiento del acompañante.

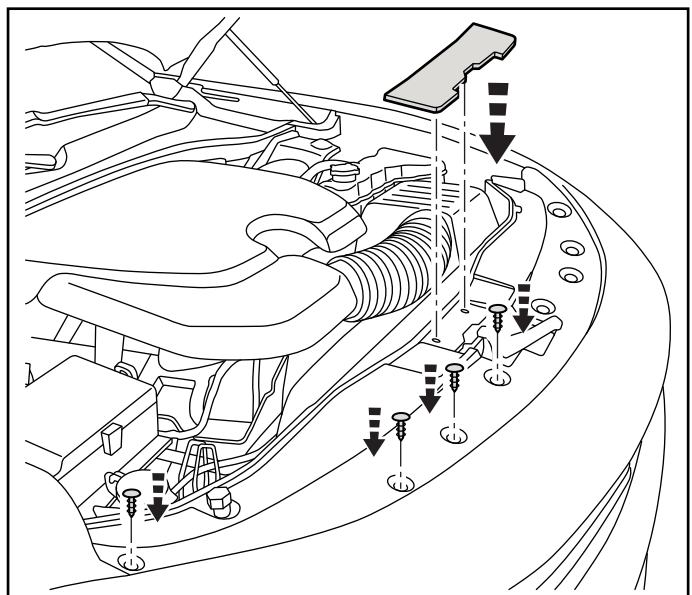


**NOTA:** Un lubricante aplicado al alambre le ayudará pasar a través.

19. Tire del mazo de cables (1) desde dentro del compartimiento del motor para eliminar el exceso de juego.  
20. Con una brida (2) del kit, fije el mazo de cables (1) al mazo de cables existente del vehículo.

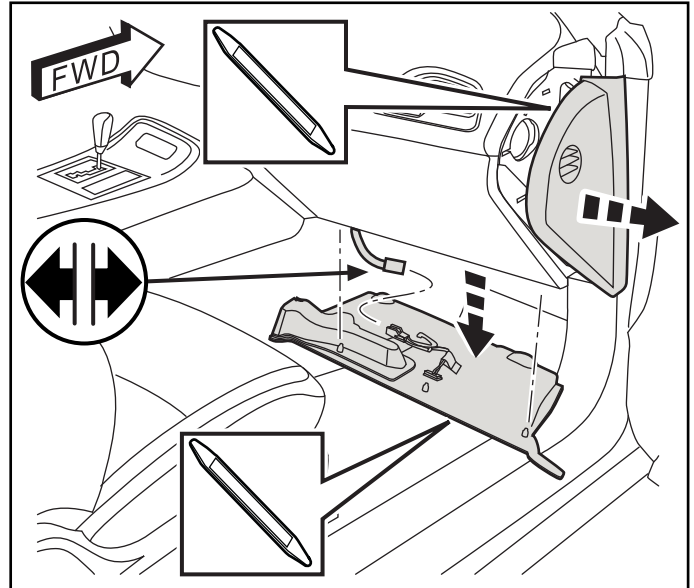


21. Vuelva a instalar (4) sujetadores del lado del pasajero de la panel de la cubierta del radiador, como se muestra. Vuelva a instalar el centro panel de ajuste como se muestra.

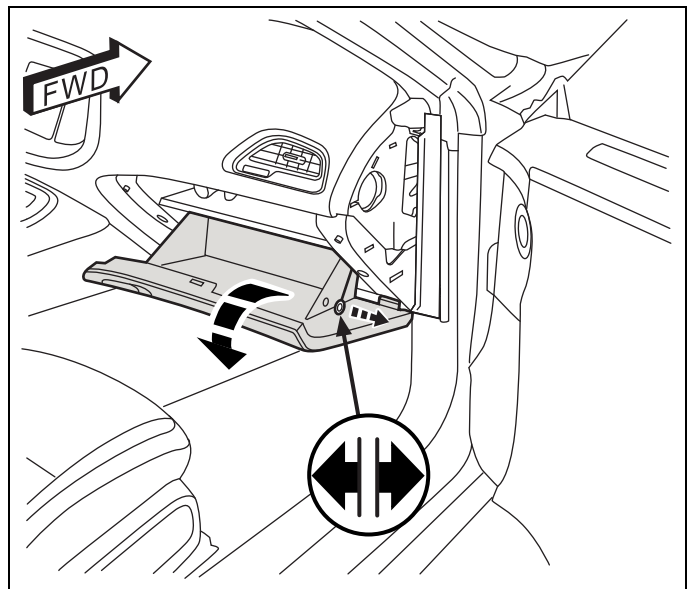


22. Cierre el capó, ajustar el capó pestillo si es necesario.

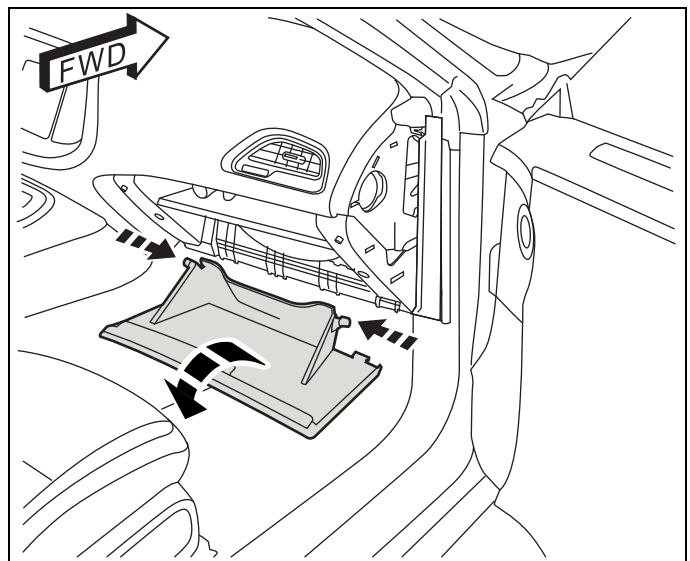
23. Retire la tapa del extremo derecho del panel de instrumentos.
24. Retire los elementos de fijación del silenciador del panel de instrumentos del lado derecho.
25. Desconecte el arnés de LED (1) y retire el silenciador del panel de instrumentos del lado derecho (2).
26. Haga palanca en el panel de la cubierta inferior debajo de la guantera. Desconectar para los pies lámpara enchufe. Haga palanca con cuidado la recortar el panel en el extremo del tablero.



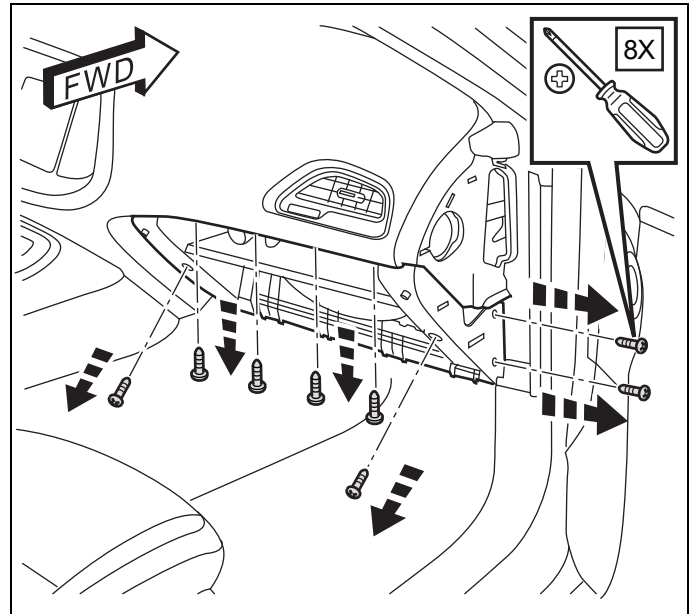
27. Abra la guantera y desconecte el cable de retención.



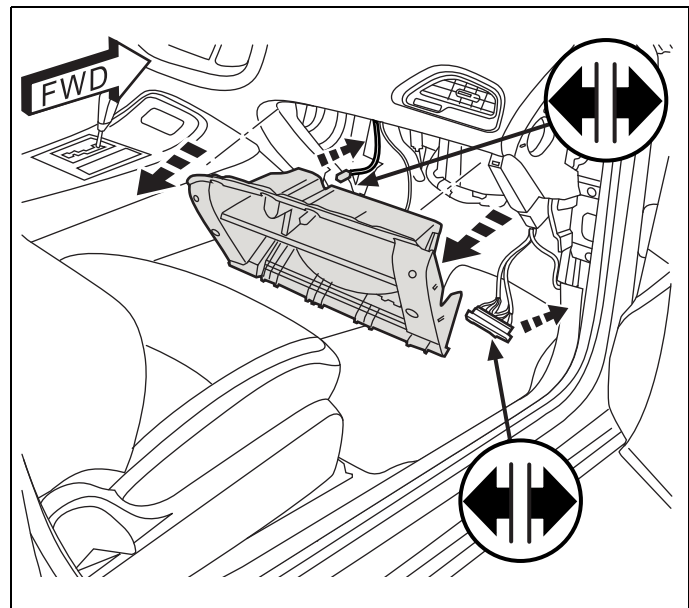
28. Desabrochar con cuidado los pasadores de las bisagras guantera y retire la guantera.



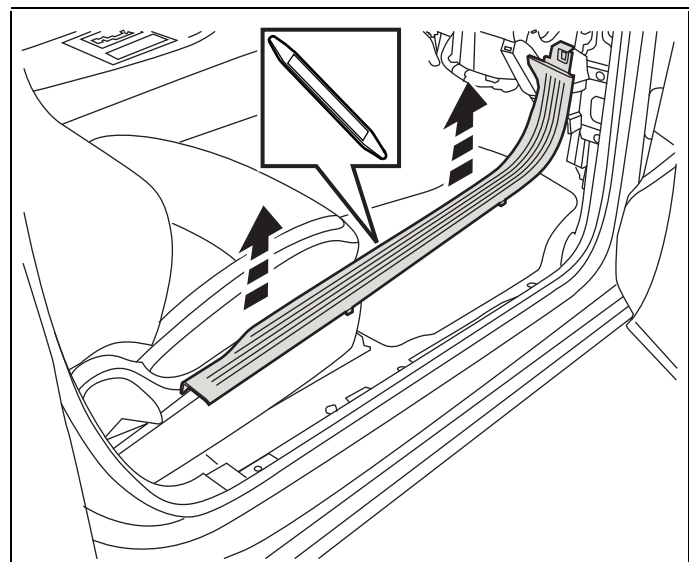
29. Retire (8) sujetadores desde la guantera bisel como se muestra.



30. Retire la guantera bisel desde gui3n y desconectar todos los enchufes.



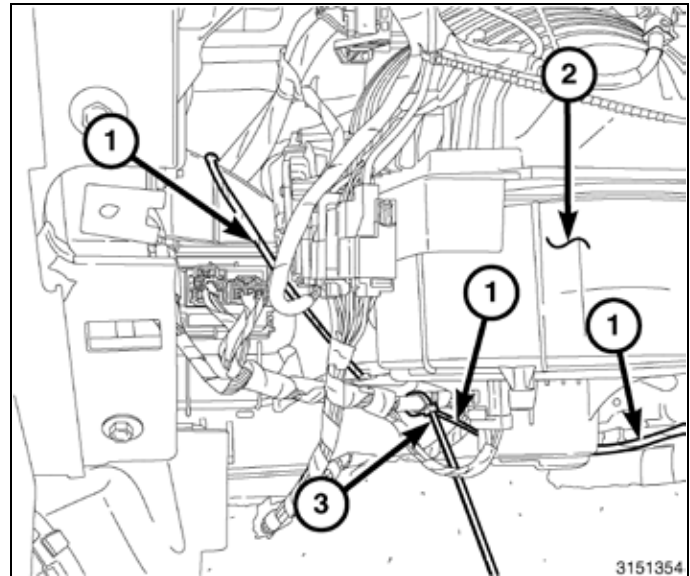
31. Cuidadosamente palanca apagado la puerta panel de umbral. Quitar un (1) cierre desde fondo borde delantero de los interior trasero trimestre recortar panel.



**NOTA:** Justo antes de tirar del mazo de cables que va desde el conmutador del capó entreabierto al BCM (1) por la arandela, aplique sellante RTV al mazo de cables  $\frac{1}{4}$  in antes del conducto (en el compartimiento motor) para sellarlo.

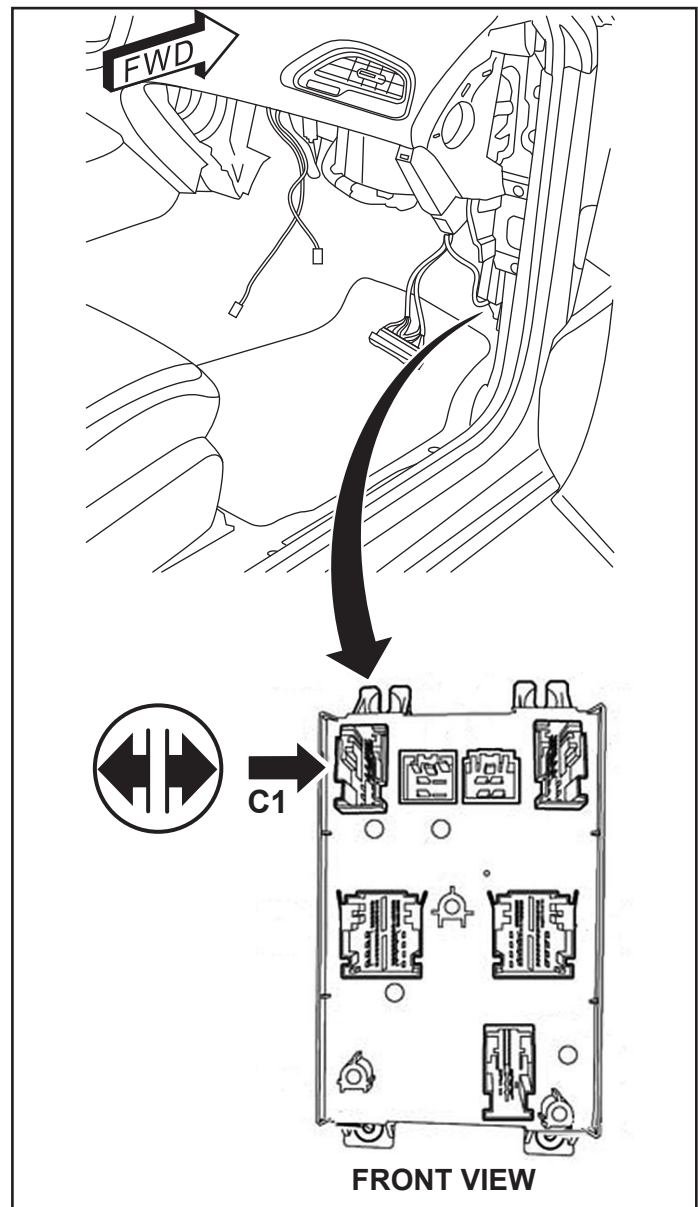
32. Desde el interior del compartimiento del acompañante, localice el arnés (1) y tire para asentar el conducto del mazo de cables contra la arandela en el compartimiento motor.
33. Ruta del arnés (1) ubicado en el zócalo derecho y sujételo con bridas (3) según convenga.

**NOTA:** En el interior de la cabina, bandas de sujeción se deben instalar no más allá de 150 mm entre sí.

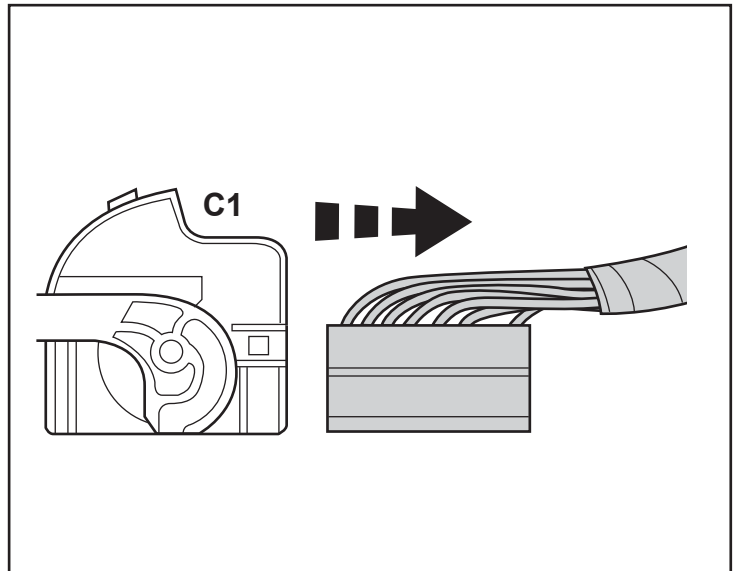


34. El conector izquierdo superior (C1) voluntar necesitar para ser visitada para el nuevo capó interruptor arneses conector alambre.

**NOTA:** Los conectores de BCM son más fáciles de acceso si es grande HVAC conector se retira primero.

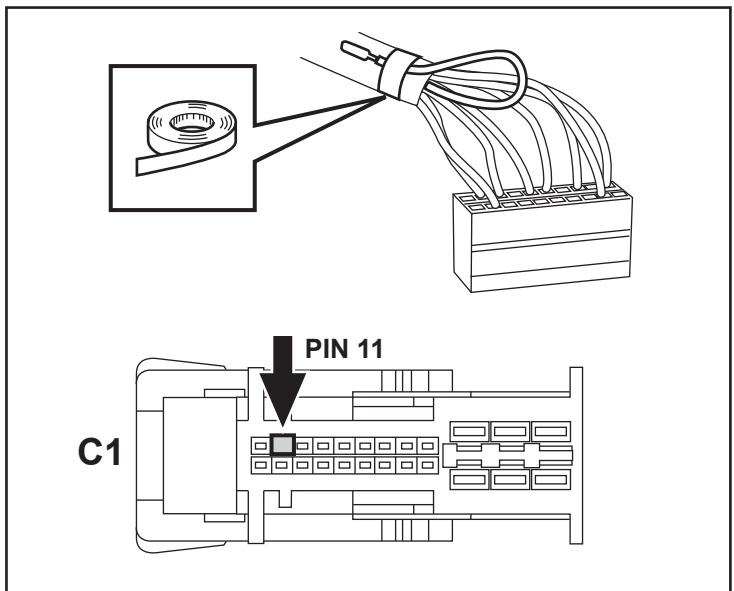
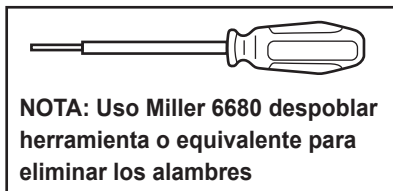


35. Presione las lengüetas de liberación en la parte posterior de la conector y deslice el enchufe fuera desde la carcasa exterior.

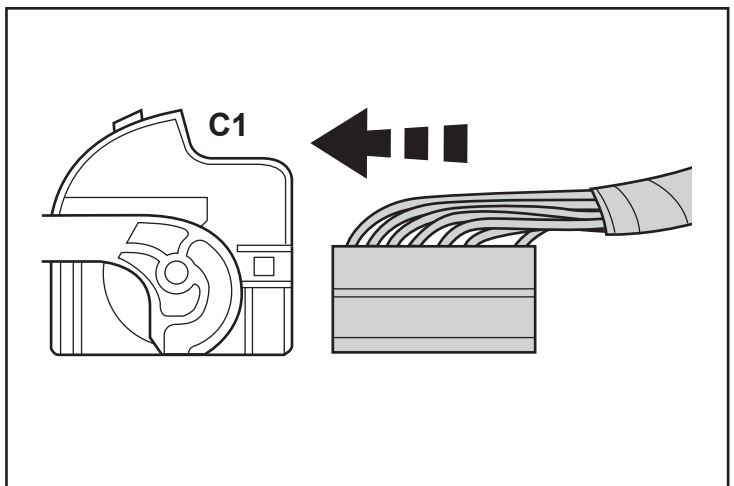


36. Localice el Pin 11 sobre la conector. Inserte el alambre conector desde interruptor aprovechar (D) en Pin 11.

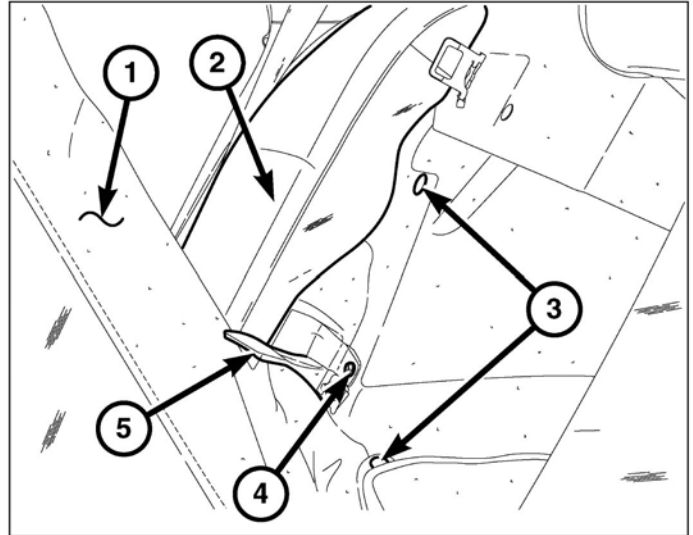
**NOTA: Si el pin 11 tiene un arnés de la fábrica de alambre, retire la fábrica alambre y cinta a la parte posterior del arnés.**



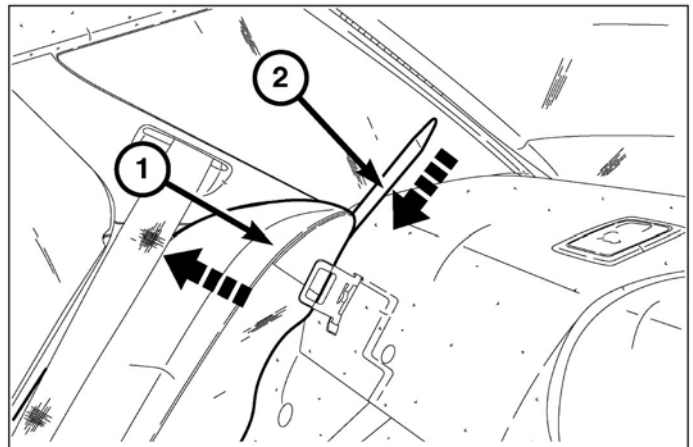
37. Vuelva a instalar la cubierta externa en el conector. Conecte los conectores de nuevo en el BCM.



38. Tire del respaldo del asiento trasero derecho (1) para acceder al compartimiento de equipaje.
39. Detrás del asiento trasero derecho, tire de la tapicería (5), para acceder al perno de fijación del refuerzo del respaldo del asiento trasero (4).
40. Desmonte el tornillo del soporte de apoyo lateral del respaldo trasero derecho (4).

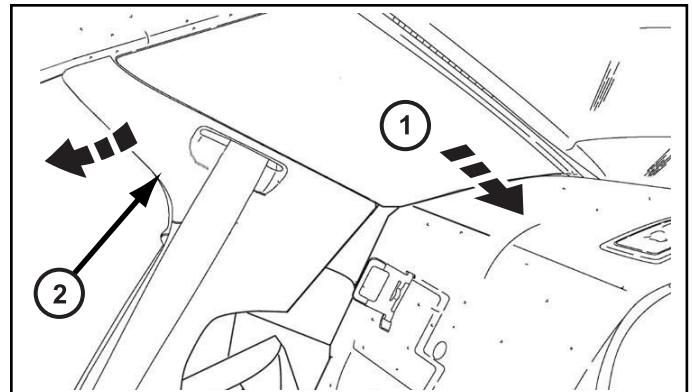


41. Con una varilla de punta plana (2) o equivalente, presione hacia abajo entre el anaquel trasero y el refuerzo del respaldo trasero derecho (1) para soltar el clip, y tire del apoyo del respaldo (1) para desmontarlo.



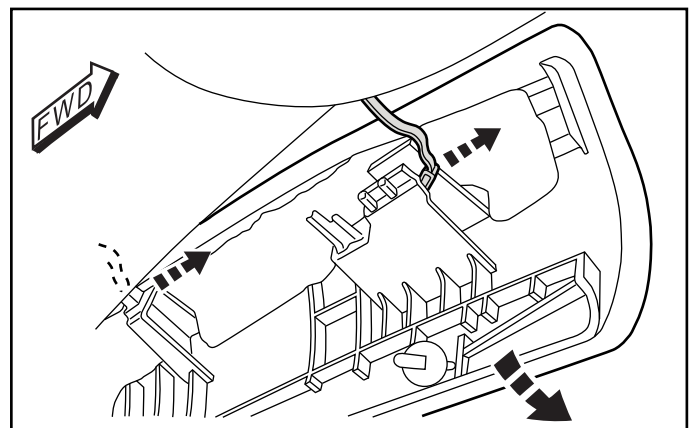
42. Usando una recortador de palo cuidadosamente saque el pilar C superior recortando el panel (1).

**NOTA:** Para los modelos LX, el panel de ajuste inferior (2) lo hará ser necesario extirpar también.



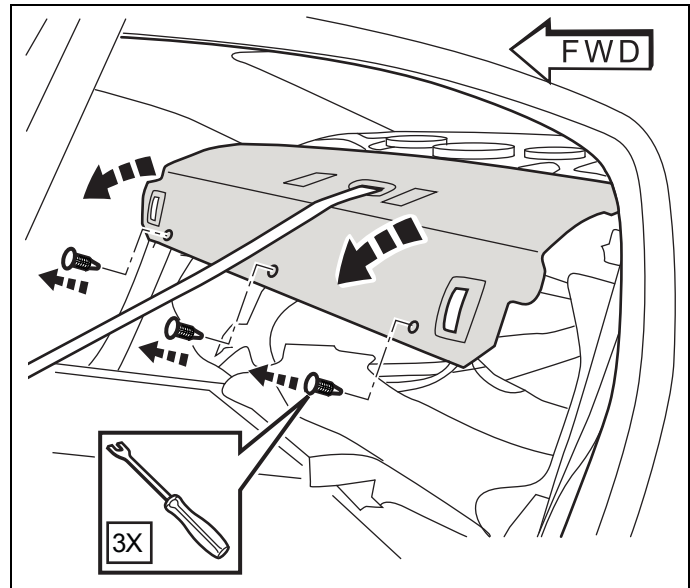
43. Desconecte (2) correas de seguridad. Retire el panel de el vehículo.

44. Repita los pasos 38 a 43 en el lado del conductor.

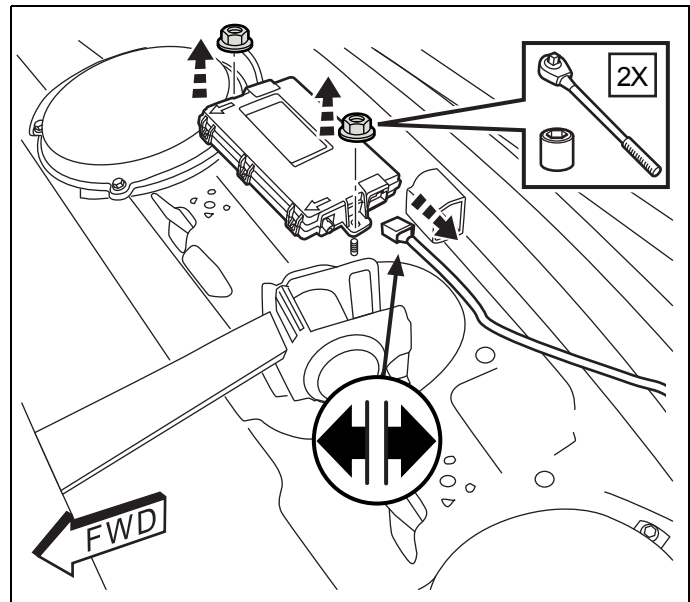




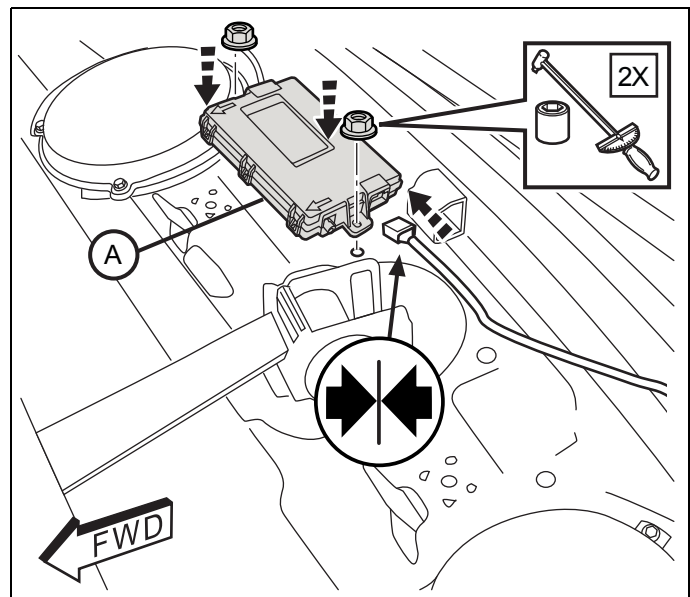
45. Retire el pasador de empuje (1) que fija el tapizado al panel del anaquel trasero (3).
46. Deslice el panel de revestimiento (2) hacia adelante para desacoplar el clip S que fija el lado inferior del revestimiento al centro del panel de anaquel.
47. Coloque el panel de revestimiento (2) alejado del panel de anaquel trasero.



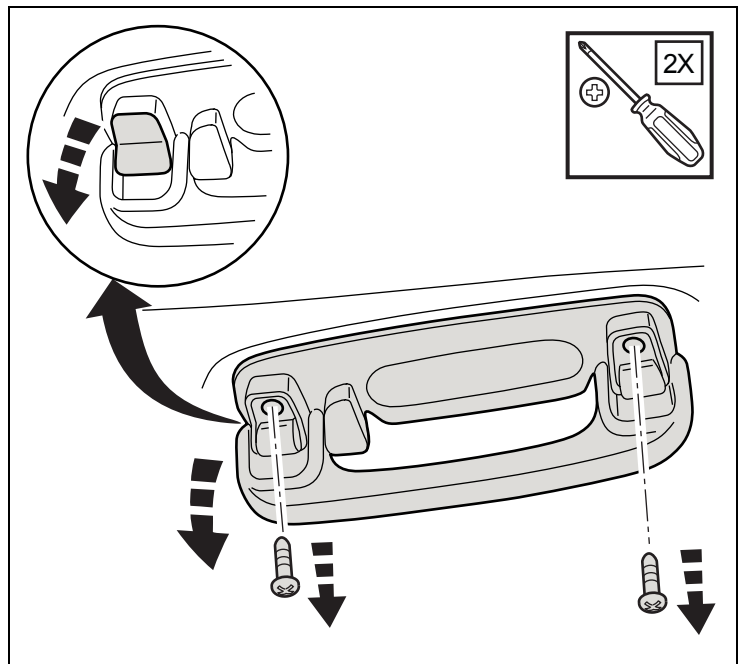
48. Localice el módulo concentrador RF existente en la cubierta trasera. Desconecte todos los conectores del arnés. Quite los dos (2) sujetadores. Retire el módulo de RF Hub.



49. Instale el nuevo módulo concentrador RF (A) en la cubierta trasera con dos (2) sujetadores originales. Vuelva a instalar todos los conectores. Apriete a 2.2 N m (19 pulg.-lbs.)

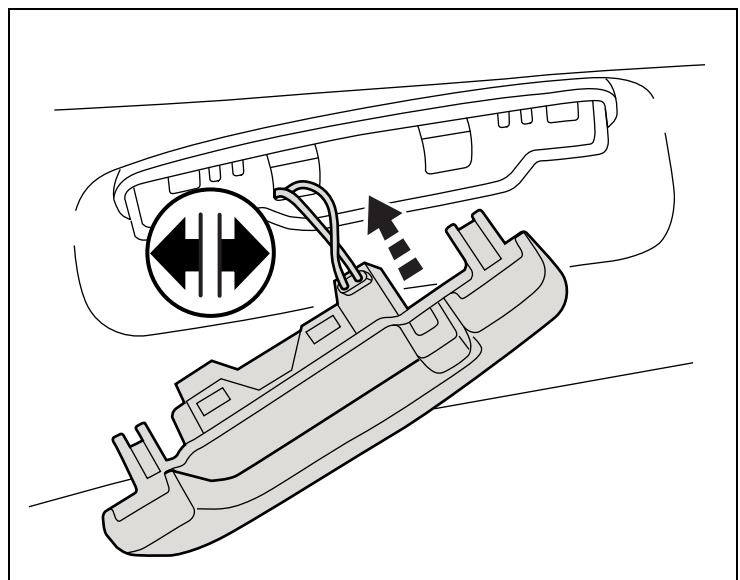


50. Retire (2) sujetador cubre desde el agarre trasero manejar. Retire (2) sujetadores desde la manejar como se muestra.

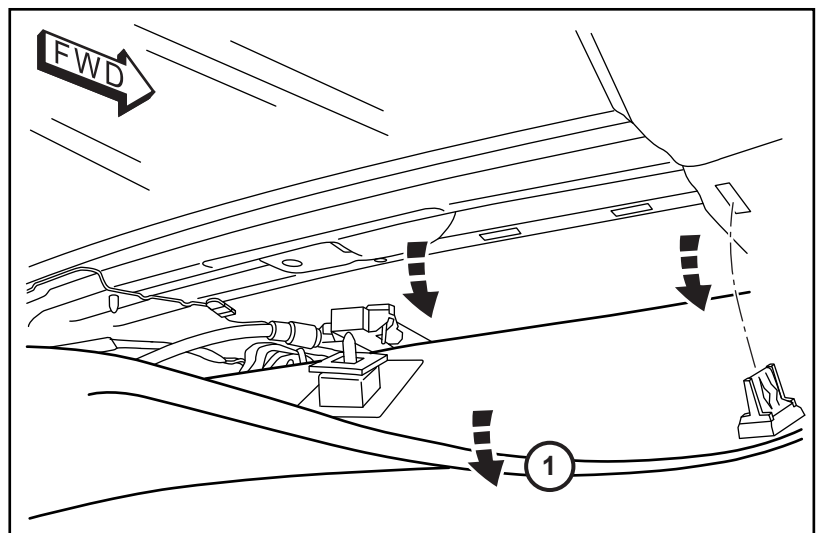


51. Desconecte la cortesía lámpara enchufe desde la espalda de los agarrar mango. Retire la manija desde el vehículo.

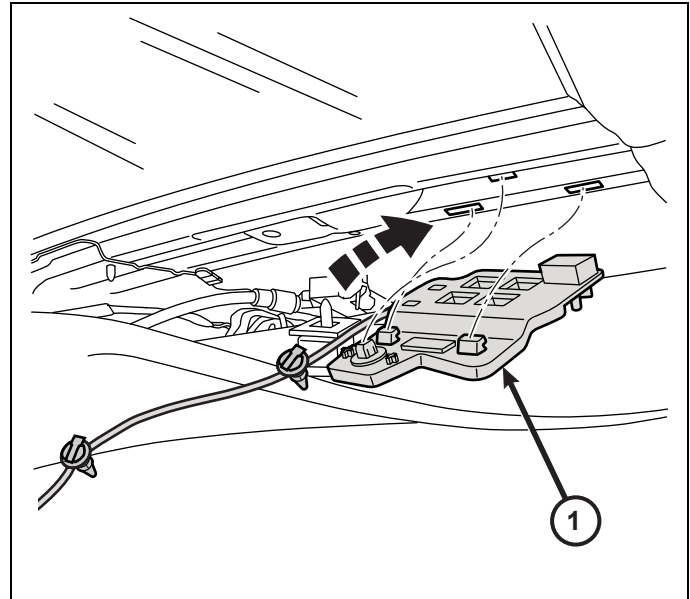
**Repita para el lado opuesto del vehículo.**



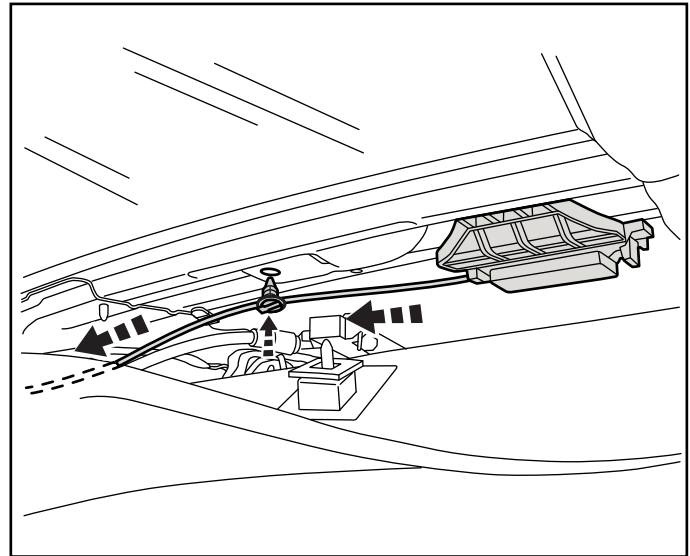
52. Utilice un recortar palo a pry abajo cualquier clips y los imanes bajo el borde trasero de la cabeza de cartel (1).



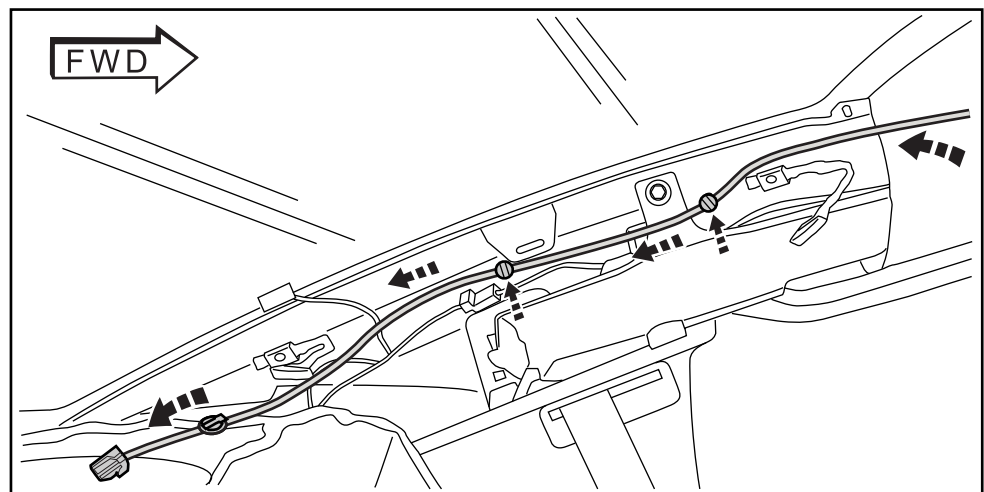
53. Instale la antena montaje (1) en el techo cruzar bar por chasquido los dos montaje clips en el soporte en la existente ranuras como se muestra.



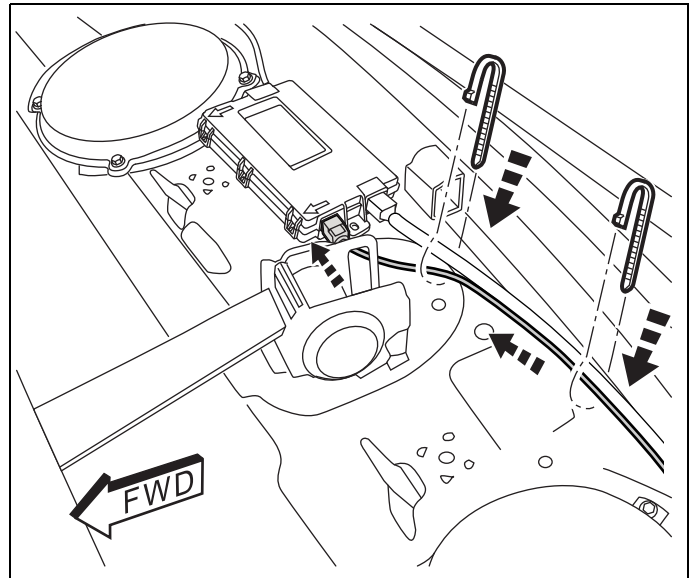
54. Ruta de la antena del arnés hacia el lado del conductor C-pilar. Fije el arnés al techo con la PIA Navidad árbol sujetadores en el correspondiente agujeros en la chapa metálica.



55. Ruta de la antena del arnés hacia abajo a lo largo de la C-pilar. Secure la arneses al C-pilar con el PIA Navidad árbol sujetadores en la orificios correspondientes en la chapa metálica.



56. Enchufe el nuevo arnés en el módulo de RF Hub.  
Asegure el nuevo arnés con bridas.



57. Compruebe todo el cableado y recortar todas las ataduras de cables.
58. Invierta los pasos según sea necesario para volver a instalar los paneles y componentes de equipamiento en el área del asiento trasero.

## PROGRAMACIÓN DEL FOBIK DE LA LLAVE DE ENCENDIDO

**NOTA:** El nivel del software de wiTECH debe ser el de la última versión para realizar este procedimiento.

**NOTA:** No coloque un ordenador portátil o cualquier otro dispositivo inalámbrico (teléfono móvil, dispositivo de audio, etc.) en la parte superior o cerca de la consola central. La antena de RF está bajo la consola.

1. Conecte un cargador de batería al vehículo.
2. Con la herramienta de diagnóstico wiTECH, lleve a cabo los pasos siguientes:
  - Seleccione "RADIO FREQUENCY HUB (RFH)" (NÚCLEO DE FRECUENCIA DE RADIO).
  - Seleccione la pestaña "MISCELLANEOUS FUNCTIONS" (FUNCIONES VARIAS).
  - Seleccione "PROGRAM IGNITION FOBIKs" (PROGRAMAR FOBIK DE ENCENDIDO).
  - Seleccione "CONTINUE" (CONTINUAR).
  - Cuando se le indica que "Presione el botón de desbloqueo" es importante que no se mantiene pulsado el botón. Presiónelo una vez rápidamente.
  - Nota instrucciones en pantalla y seleccione el botón "CERRAR".
  - Ciclo ignición clave después de la exitosa rutina finalización.
  - Programa ambos nuevo FOBIKs y también programa la dos original FOBIKs.

## PROGRAMACIÓN DEL NÚCLEO DE RADIOFRECUENCIA (NÚCLEO RF)

**NOTA:** El nivel del software de wiTECH debe ser el de la última versión para realizar este procedimiento.

**NOTA:** Antes de ejecutar la rutina, asegúrese de que tiene el PIN del vehículo disponible.

1. Conecte un cargador de batería al vehículo.
2. Con la herramienta de diagnóstico wiTECH, lleve a cabo los pasos siguientes:
3. Encienda el contacto.
  - Seleccione "NÚCLEO DE FRECUENCIA DE RADIO (RFH)".
  - Seleccione la pestaña "MISCELLANEOUS FUNCTIONS" (FUNCIONES VARIAS).
  - Seleccione "SUSTITUCIÓN DEL NÚCLEO DE RF".
  - Seleccione el botón "START MISC FUNCTION" (INICIAR FUNCIONES VARIAS).
  - Seleccione "SIGUIENTE".
  - Introduzca el PIN cuando se le solicite.
  - Seleccione "SIGUIENTE".
  - Compruebe que el número PIN es correcto.
  - Una vez comprobado, seleccione "NEXT" (SIGUIENTE).
  - Seleccione "SIGUIENTE".
  - Anote las instrucciones que aparecen en pantalla y seleccione el botón "CLOSE" (CERRAR).
  - Una vez finalizada correctamente la rutina, gire la llave de encendido.

### ECU REINICIO

1. Conecte un cargador de batería al vehículo.
2. Con la herramienta de diagnóstico wiTECH, lleve a cabo los pasos siguientes:
  - Seleccione la pestaña "DIAGNOSTIC PROCEDURES" (PROCEDIMIENTOS DE DIAGNÓSTICO).
  - Resalte "RESET ECU" (Restablecimiento de ECU).
  - Seleccione "RADIO FREQUENCY MODULE (RFH)".
  - Anote las instrucciones que aparecen en pantalla y seleccione el botón "NEXT" (SIGUIENTE).
  - Seleccione "CLOSE" (CERRAR).

### CALIBRACIÓN DE VENTANILLAS

**NOTA:** En vehículos provistos de la función de subida automática de ventanillas, es necesario calibrar las ventanas tras una desconexión de la batería.

**NOTA:** La puerta debe estar completamente cerrada al iniciar este paso.

1. Siéntese en el asiento del conductor y cierre la todo puerta.
2. Baje la ventanilla.
3. Suba la ventanilla por completo y mantenga pulsado el conmutador durante unos dos segundos más.
4. Baje por completo la ventanilla y mantenga pulsado el conmutador durante dos segundos más.
5. Eleve la ventanilla por completo.
6. Repita estos pasos para las demás ventanillas.

### DESACTIVACIÓN TEMPORAL DEL ARRANQUE A DISTANCIA

1. Conecte un cargador de batería al vehículo.
2. Con la herramienta de diagnóstico wiTECH, lleve a cabo los pasos siguientes:
  - Seleccione "BODY CONTROL MODULE (BCM)" (MÓDULO DE CONTROL DE CARROCERÍA).
  - Seleccione la pestaña "MISC FUNCTIONS" (FUNCIONES VARIAS).
  - Resalte y seleccione "TEMPORARY REMOTE START DISABLE" (DESACTIVACIÓN TEMPORAL DEL ARRANQUE A DISTANCIA).
  - Anote las instrucciones que aparecen en pantalla y seleccione el botón "CONTINUE" (CONTINUAR).
  - Siga las indicaciones que aparecen en pantalla y seleccione el botón "SAVE" (GUARDAR), luego en el botón "CONTINUE" (CONTINUAR).
  - Cuando completa, seleccione "CERRAR".

### BORRAR TODOS DTCs