



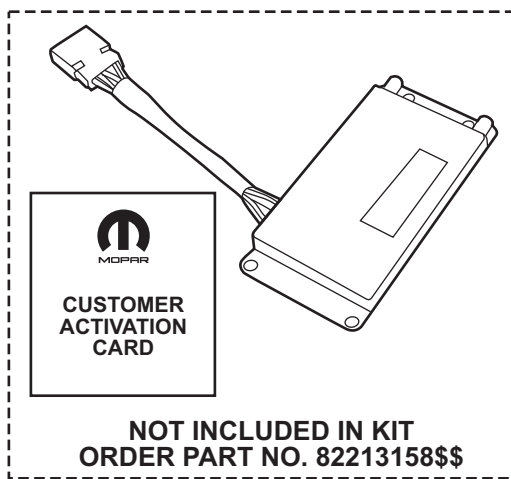
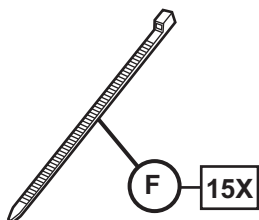
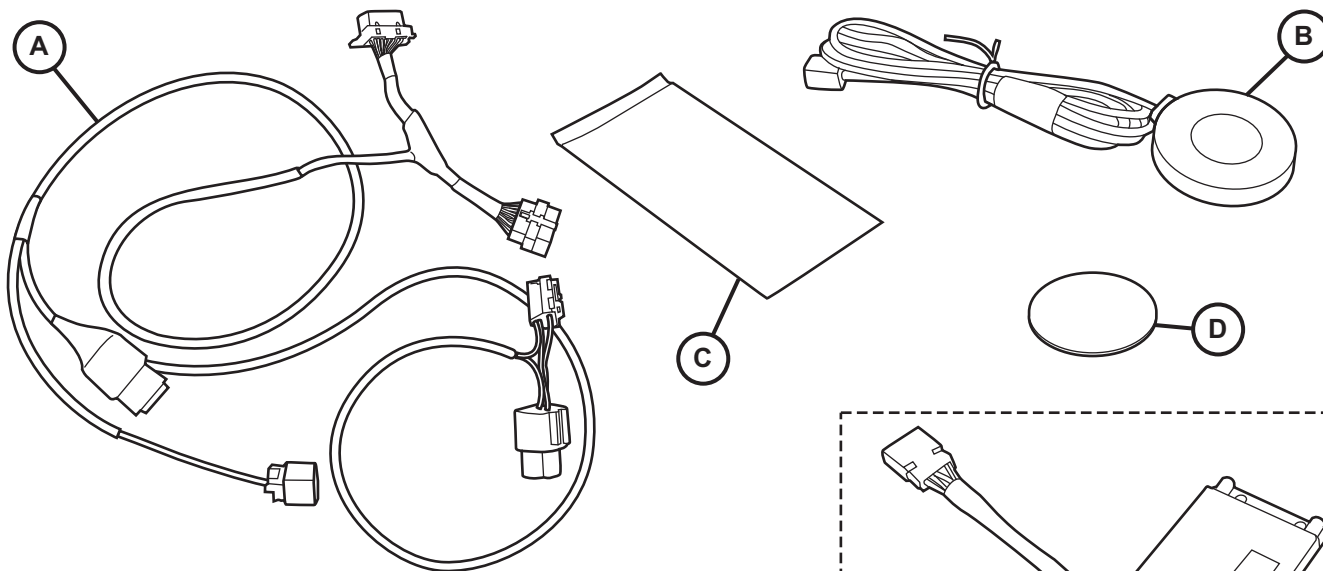
## TABLE OF CONTENTS

- 1. Fiat 500 Mopar Web**
- 2. Fiat 500L Mopar Web**
- 3. Fiat 500X Mopar Web**
- 4. Jeep Renegade**
- 5. Promaster Mopar Web**
- 6. Promaster City Mopar Web**

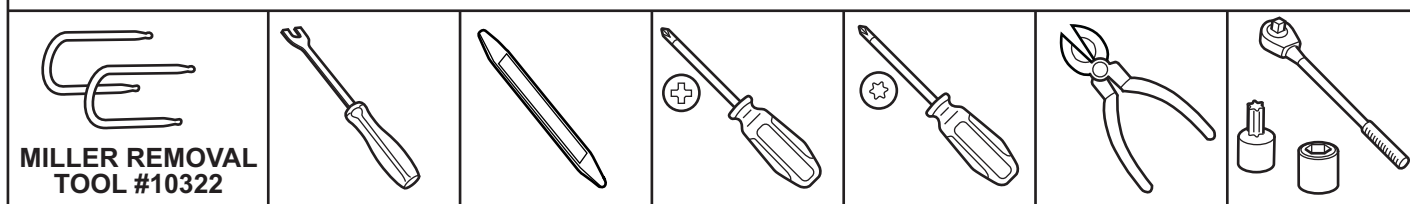


# FIAT 500 MOPAR WEB

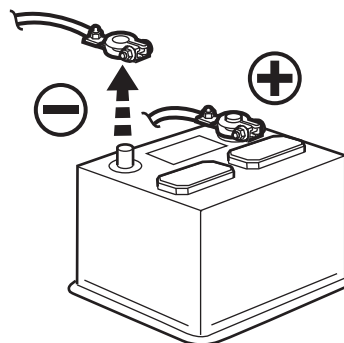
www.mopar.com



NOTE: ALCOHOL PAD WILL BE USED MORE THAN ONCE. RESEAL TO PREVENT PAD FROM DRYING OUT.



RETAIN ALL FASTENERS FOR REINSTALLATION



1

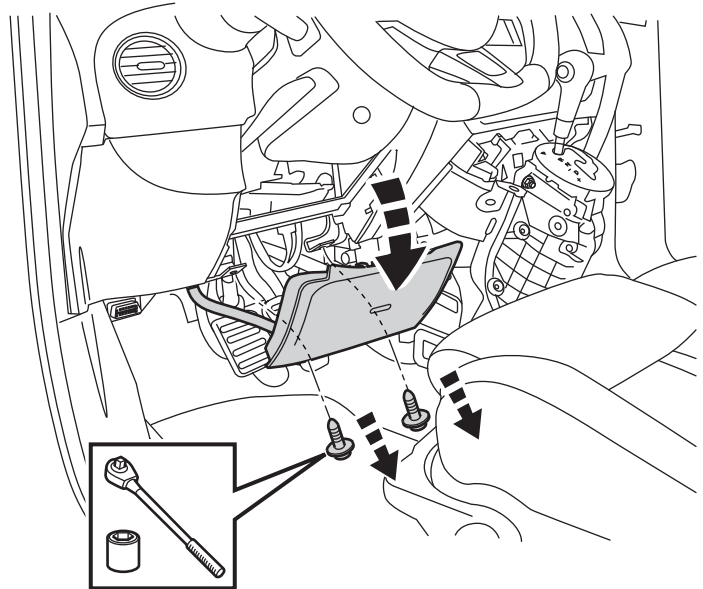
**WARNING:**

To avoid serious or fatal injury on vehicles equipped with airbags, disable the Supplemental Restraint System (SRS) before attempting any steering wheel, steering column, airbag, seat belt tensioner, impact sensor or instrument panel component diagnosis or service. Disconnect and isolate the battery negative (ground) cable, then wait two minutes for the system capacitor to discharge before performing further diagnosis or service. This is the only sure way to disable the SRS. Failure to take the proper precautions could result in accidental airbag deployment.

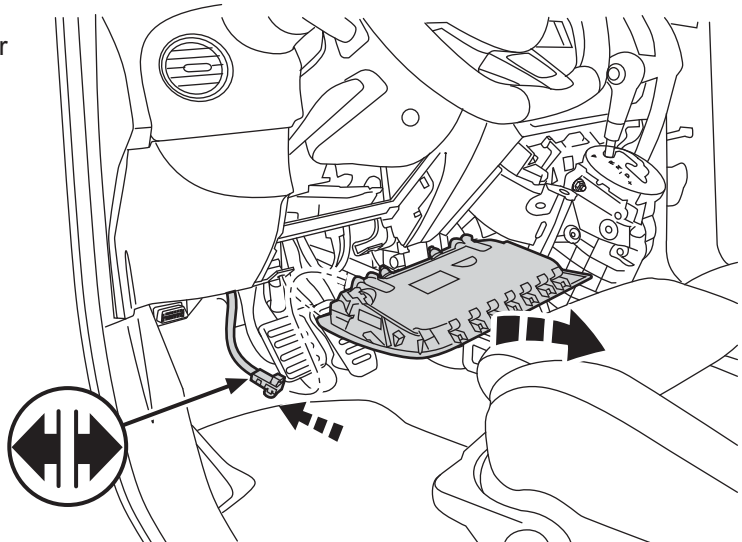
**WARNING:**

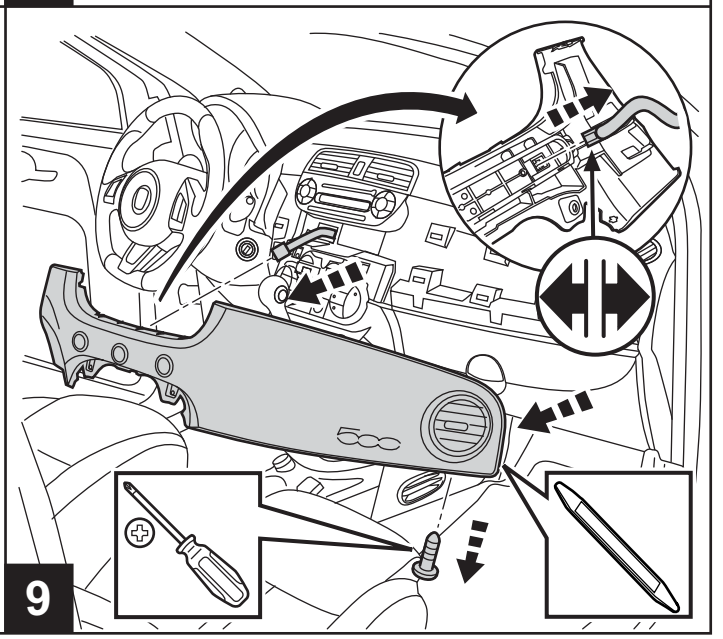
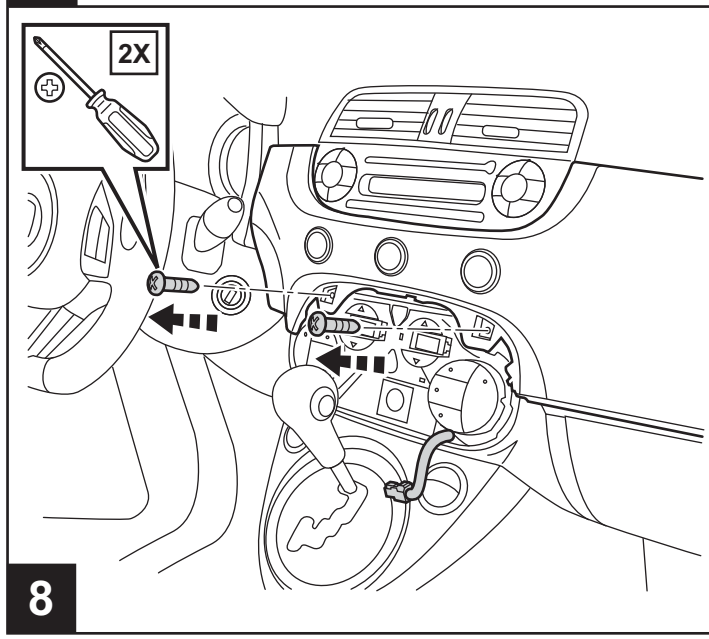
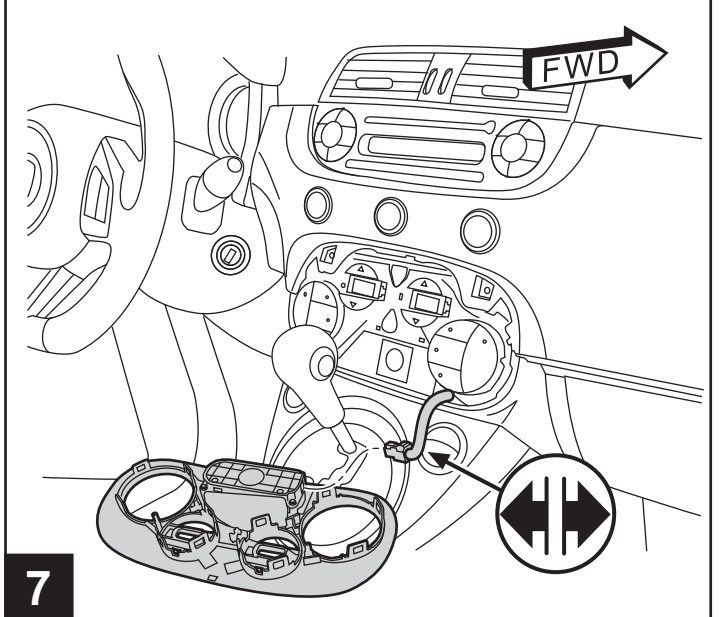
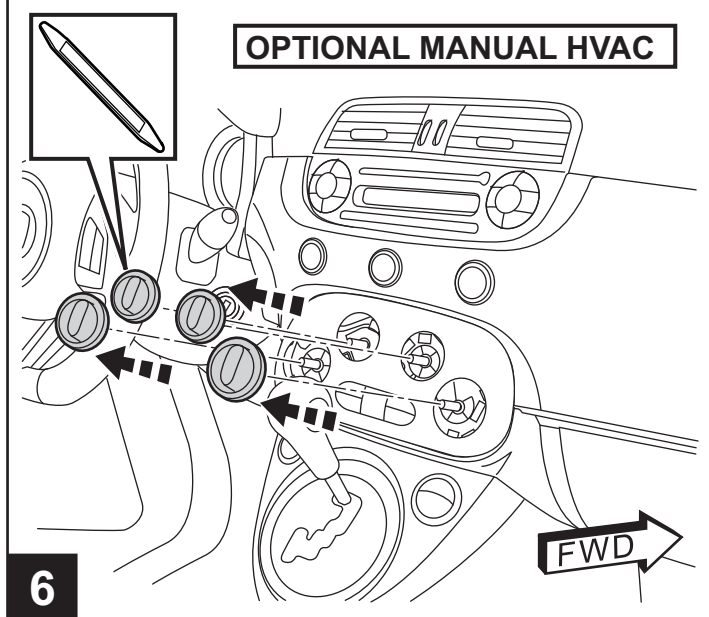
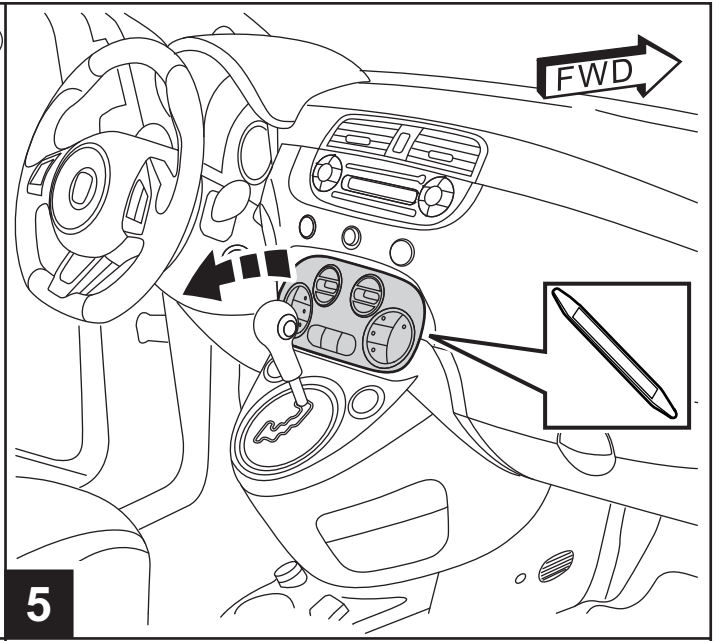
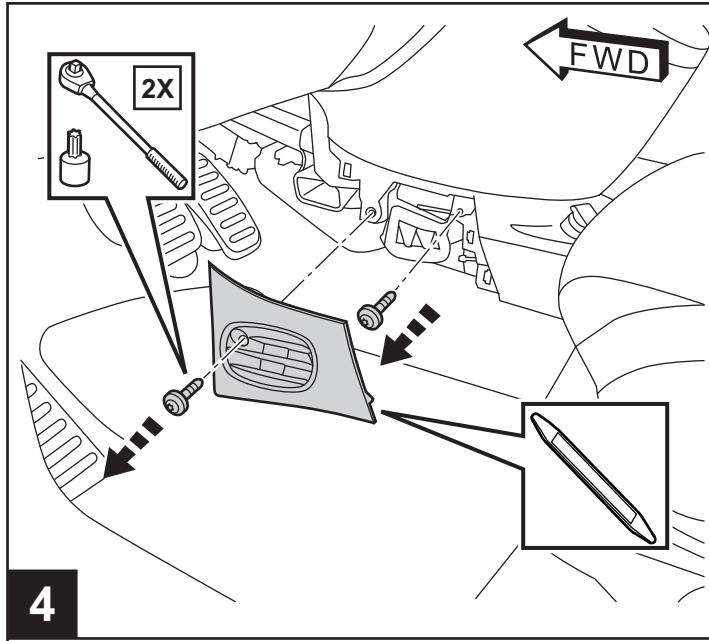
To avoid serious or fatal injury when removing a deployed airbag, rubber gloves, eye protection, and a long-sleeved shirt should be worn. There may be deposits on the airbag cushion and other interior surfaces. In large doses, these deposits may cause irritation to the skin and eyes.

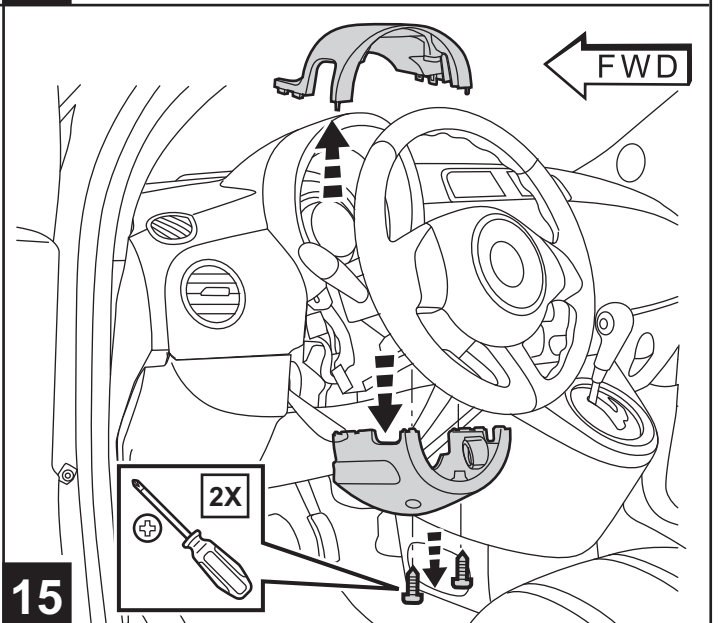
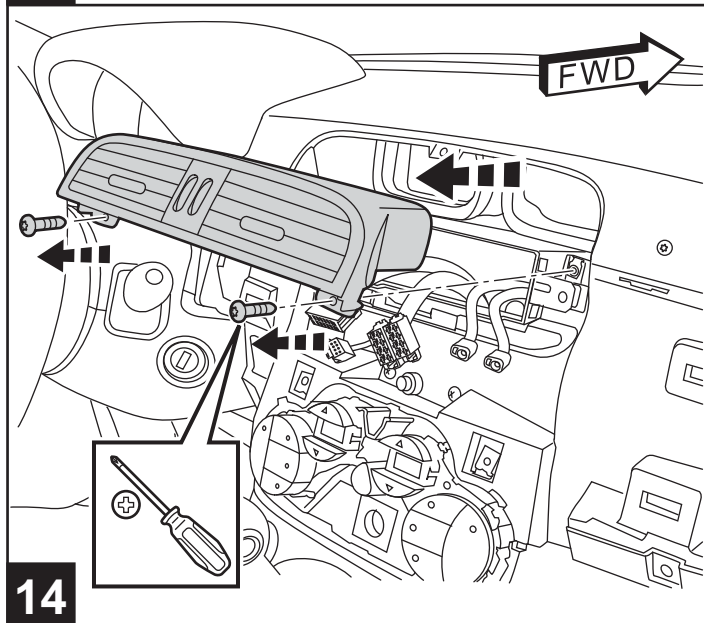
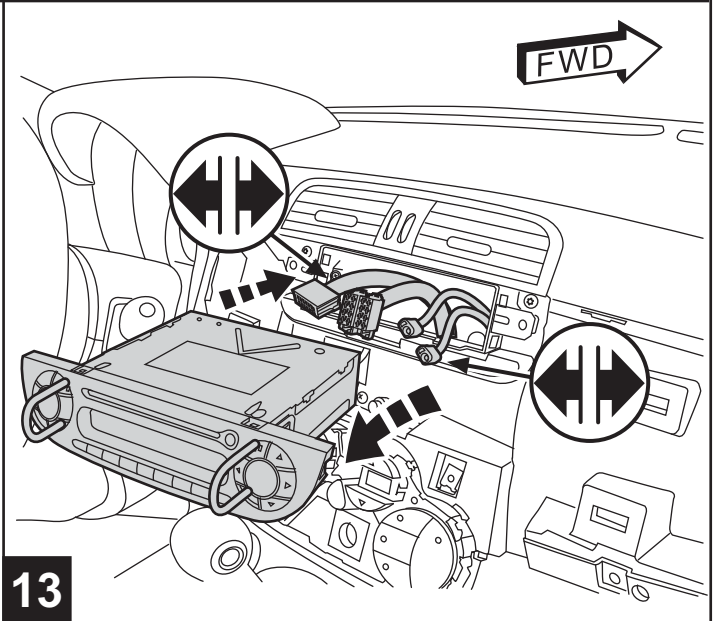
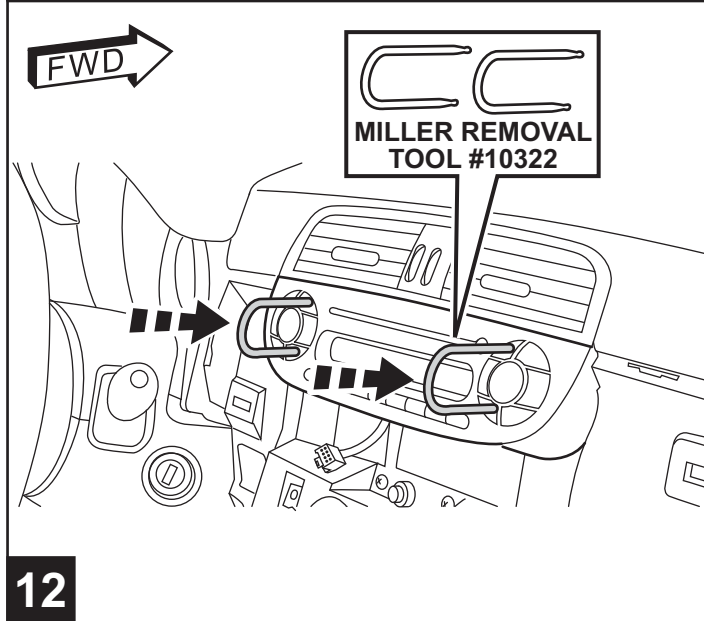
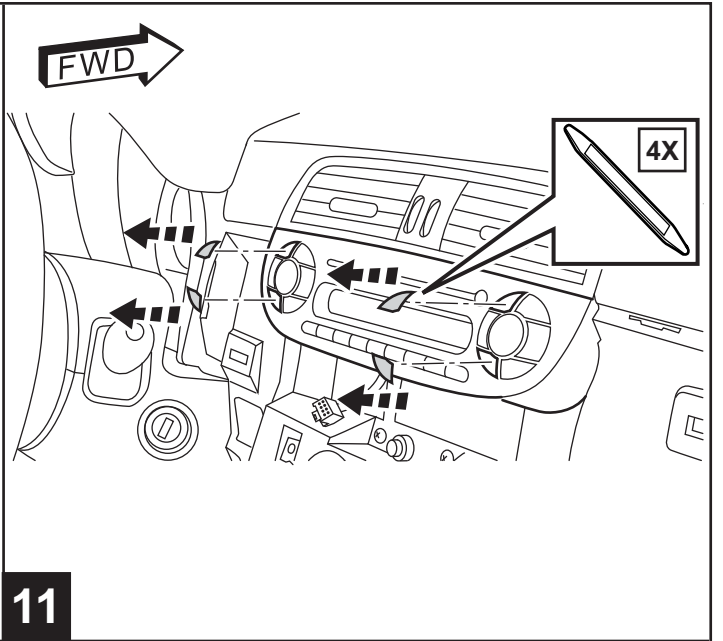
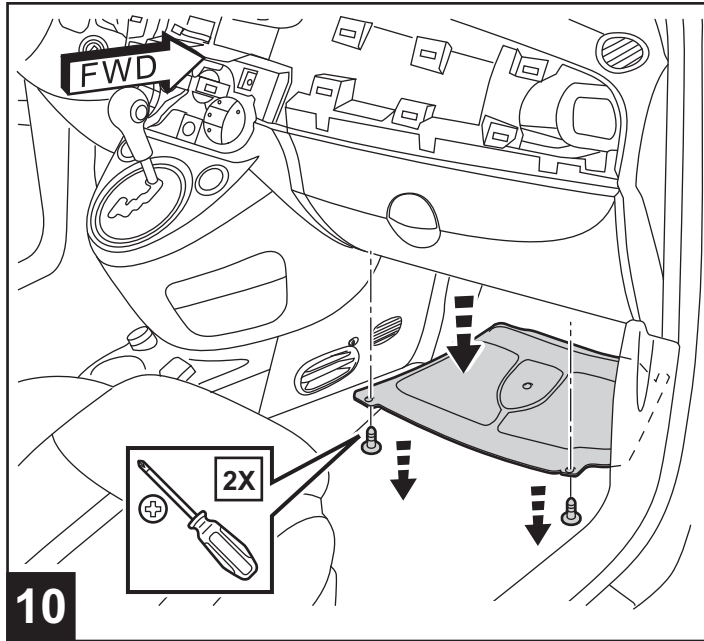
1. Disconnect and isolate the negative cable from the battery. Wait two minutes for the system capacitor to discharge before further service.
2. From below the instrument panel, remove the two screws that secure the steering column opening cover and Knee AirBag (KAB) unit to the instrument panel lower reinforcement.
3. Pull the cover and KAB down and back from the instrument panel far enough to access the electrical connection that is secured by integral latches to the KAB inflator initiator connector receptacle on the outboard end of the KAB housing.

**2**

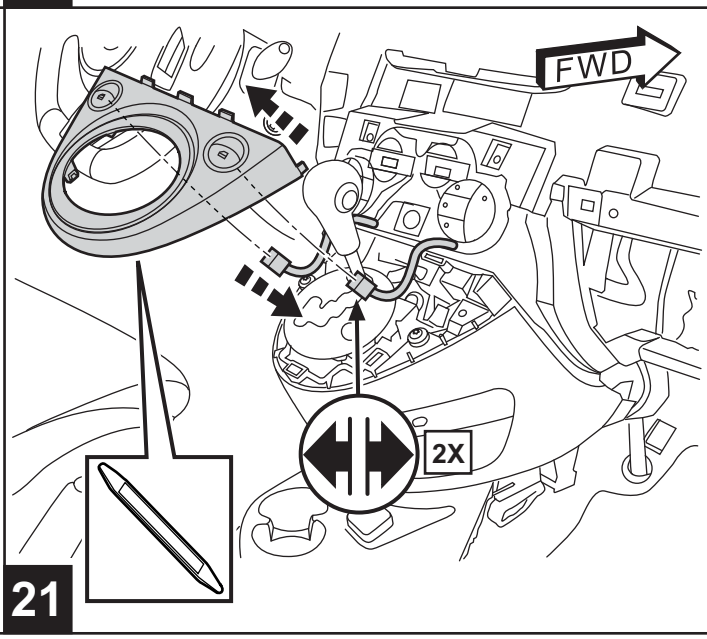
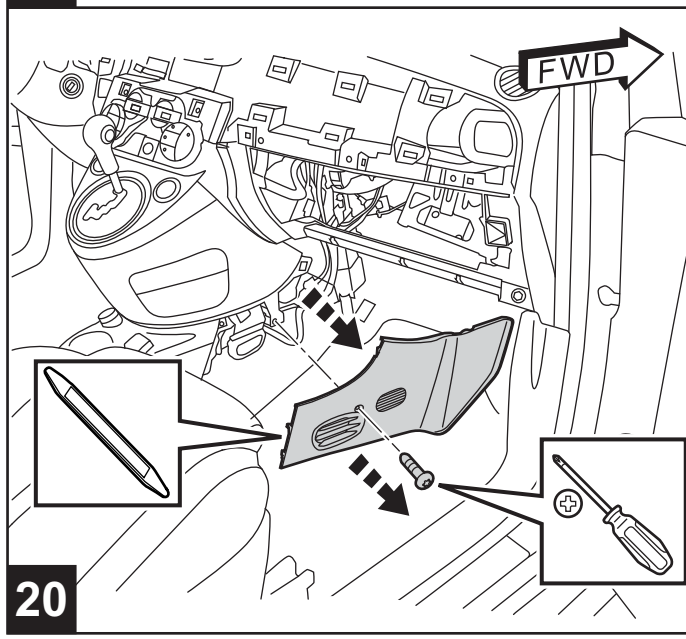
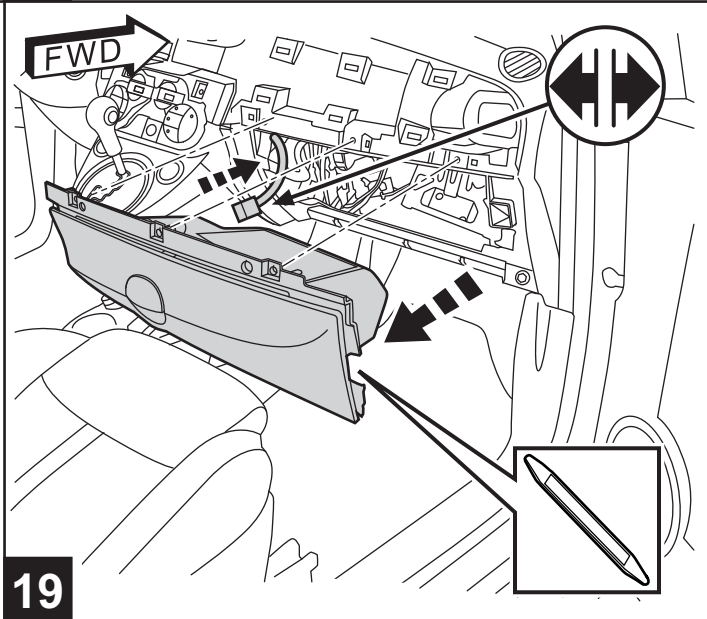
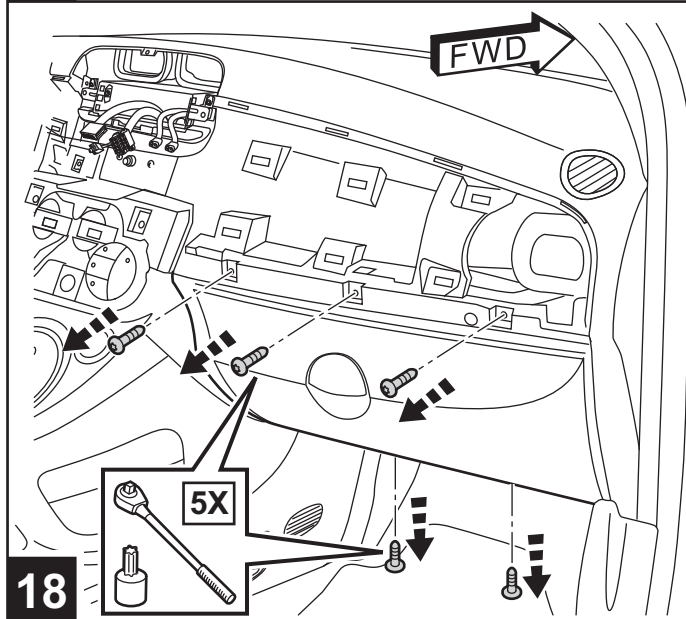
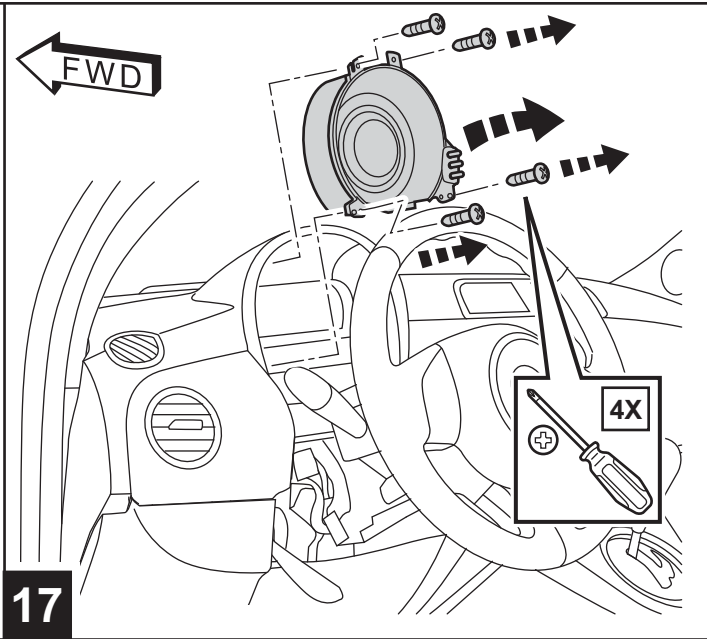
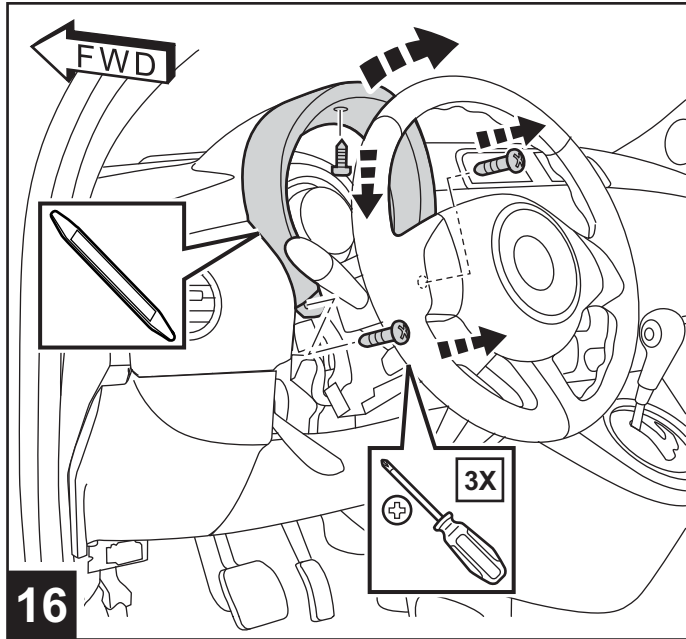
4. Depress the latches on each side of the connector insulator and pull the insulator straight out from the inflator initiator to disconnect it from the connector receptacle.
5. Remove the steering column opening cover and KAB from the vehicle as a unit.

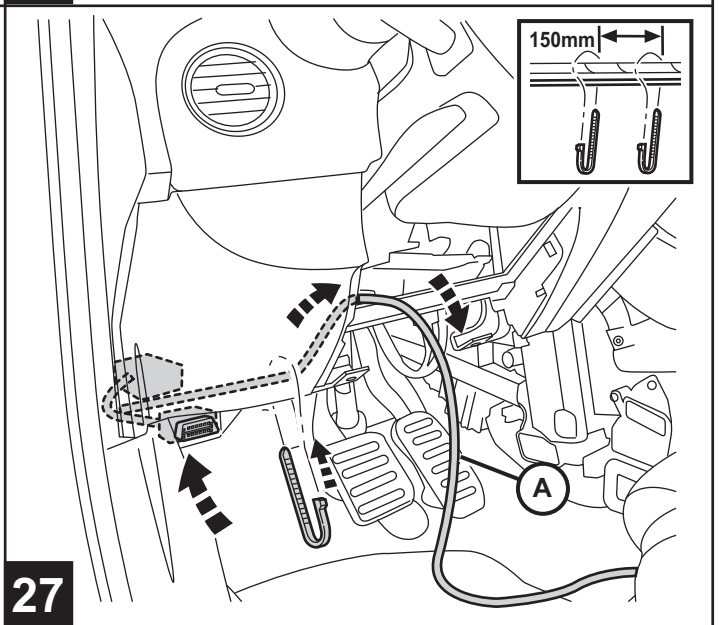
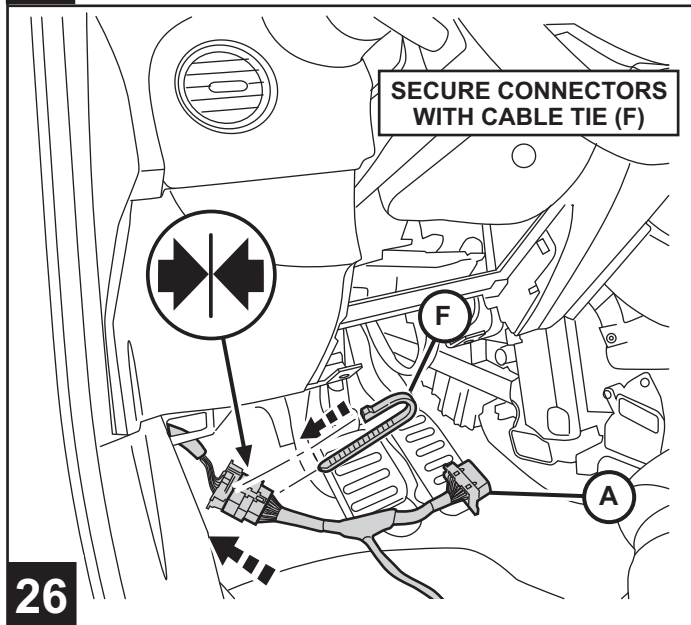
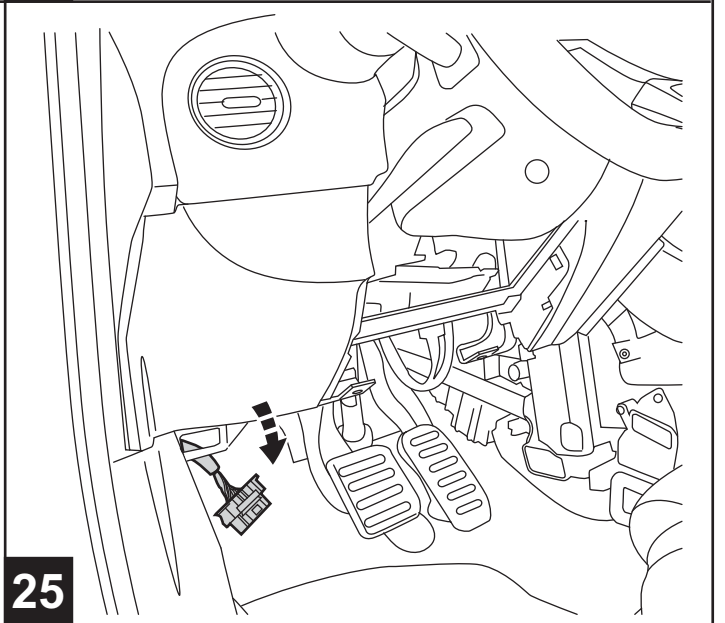
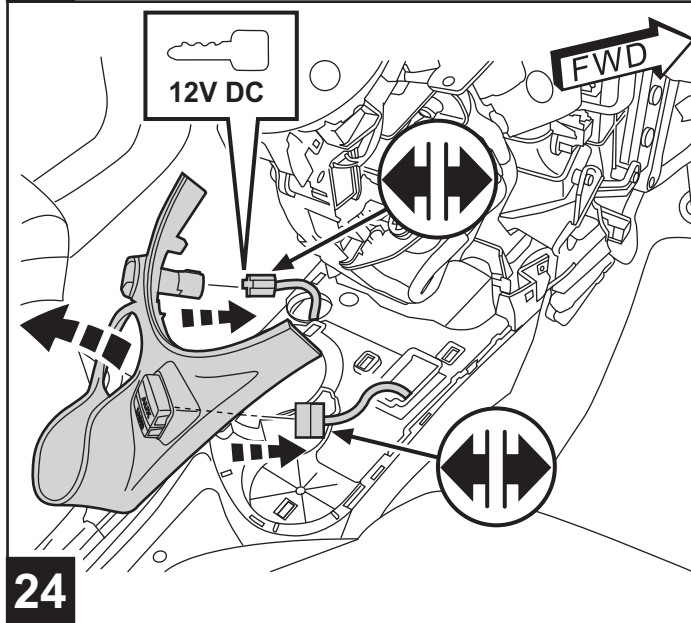
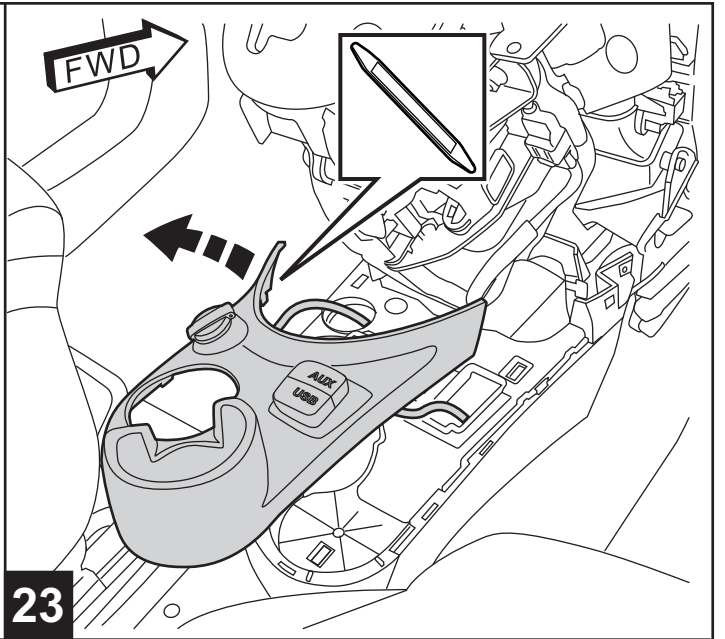
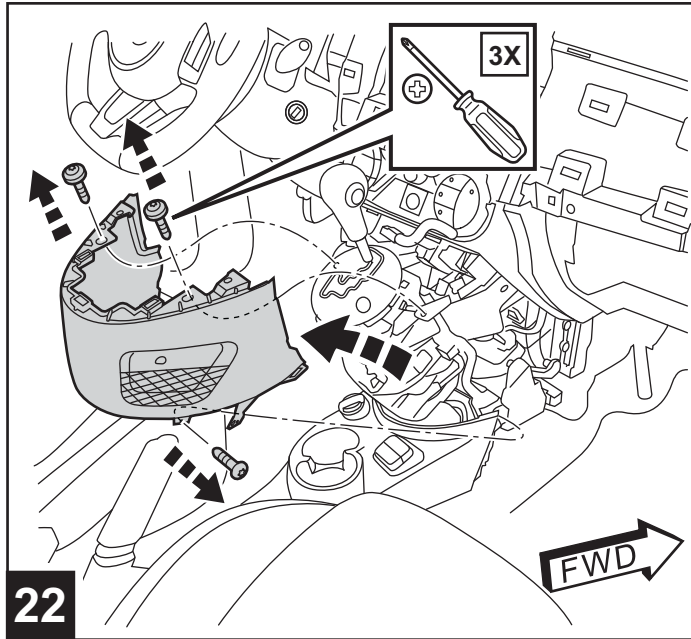
**3**

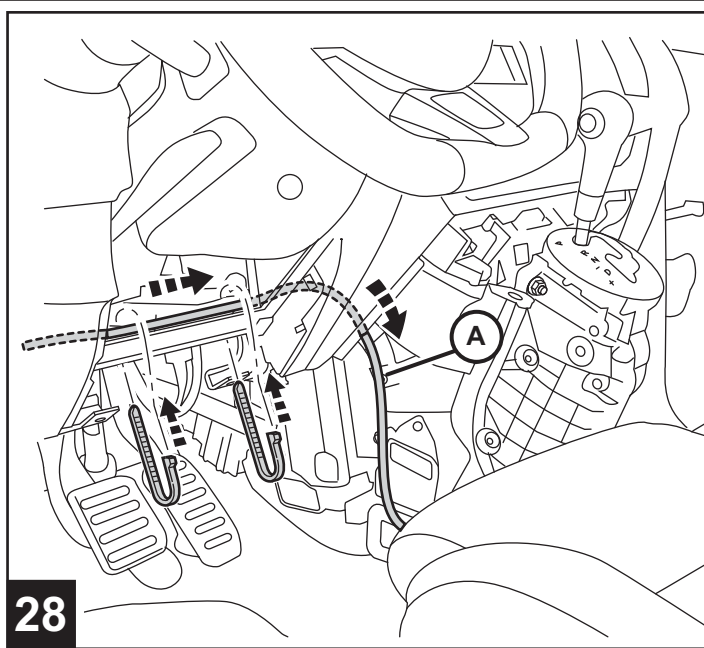




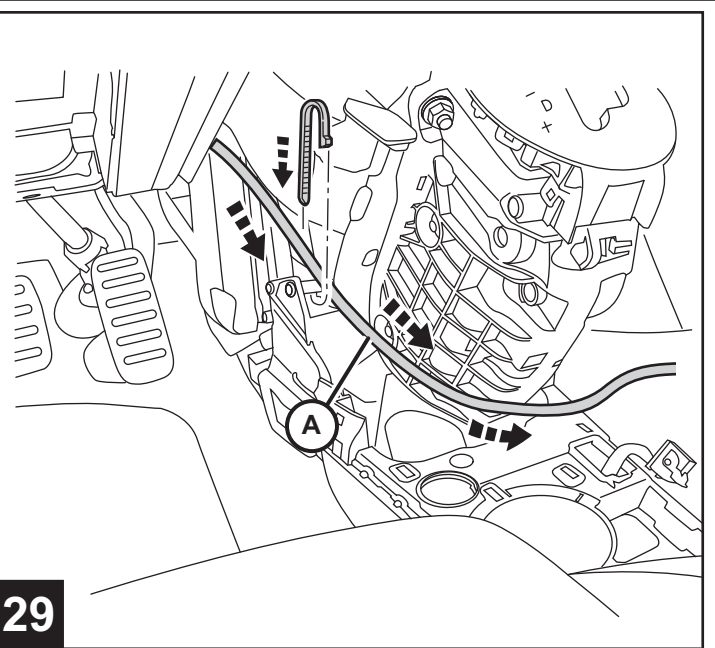




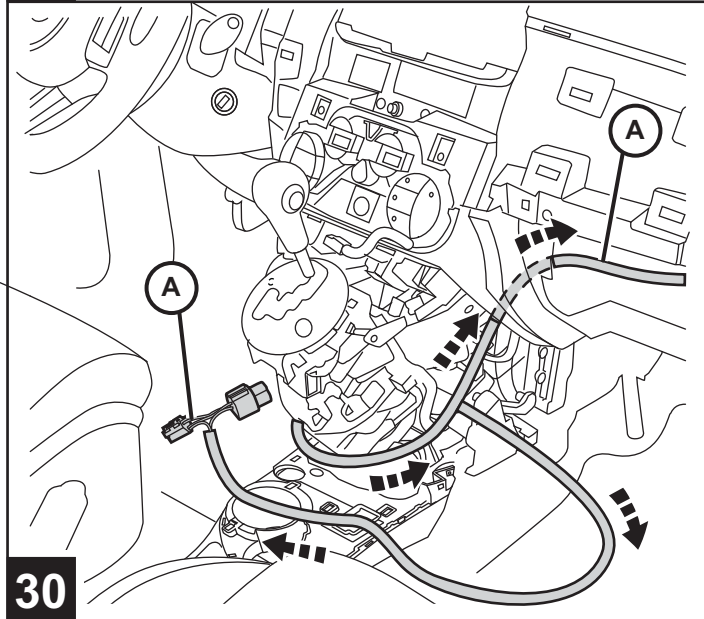




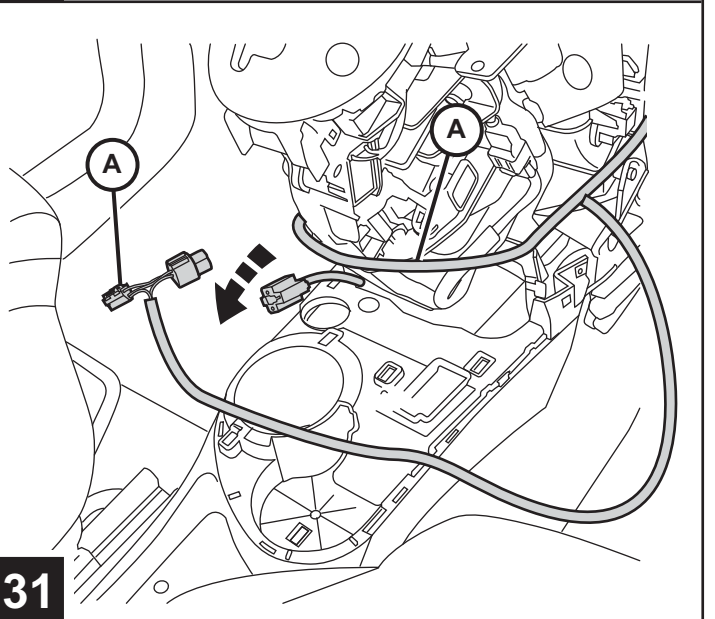
28



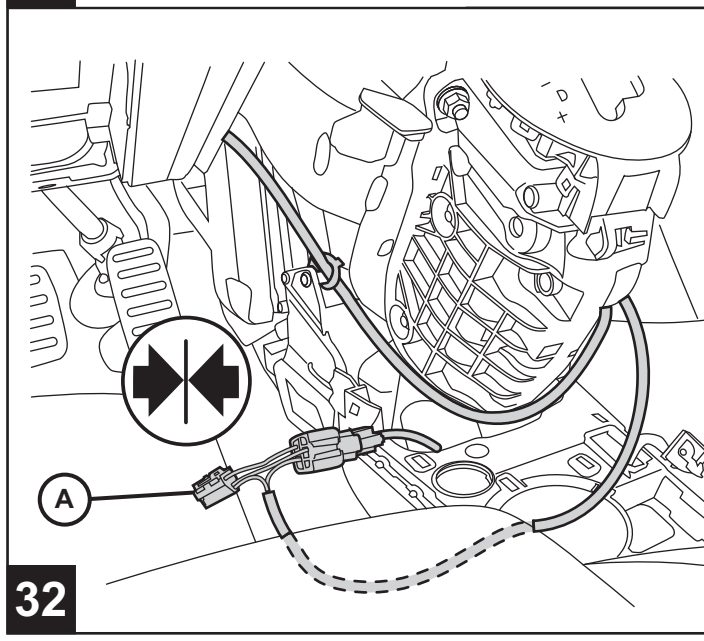
29



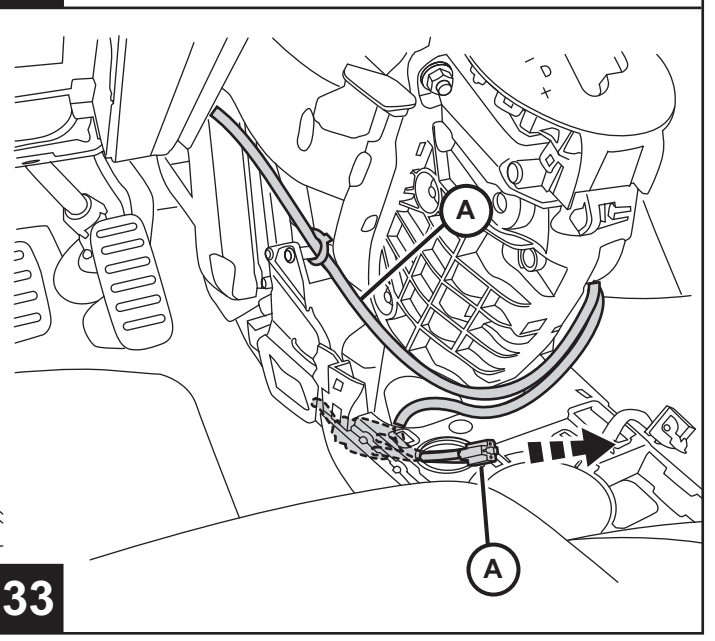
30



31

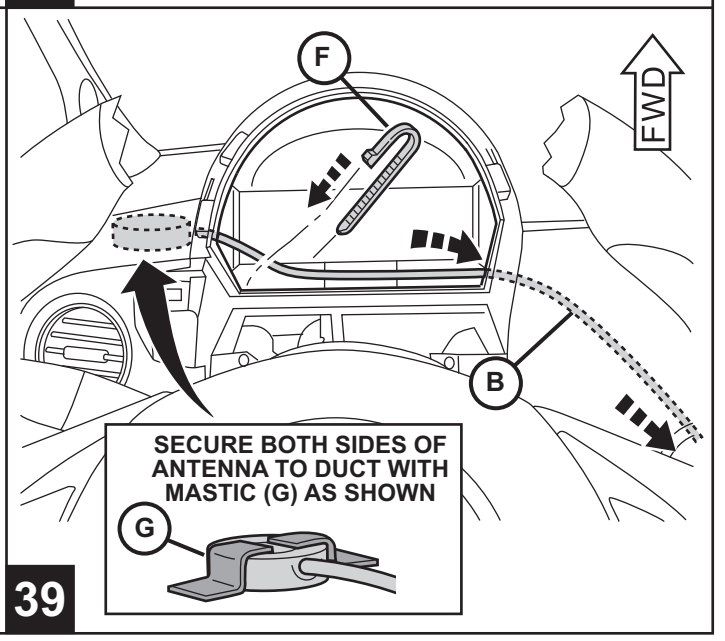
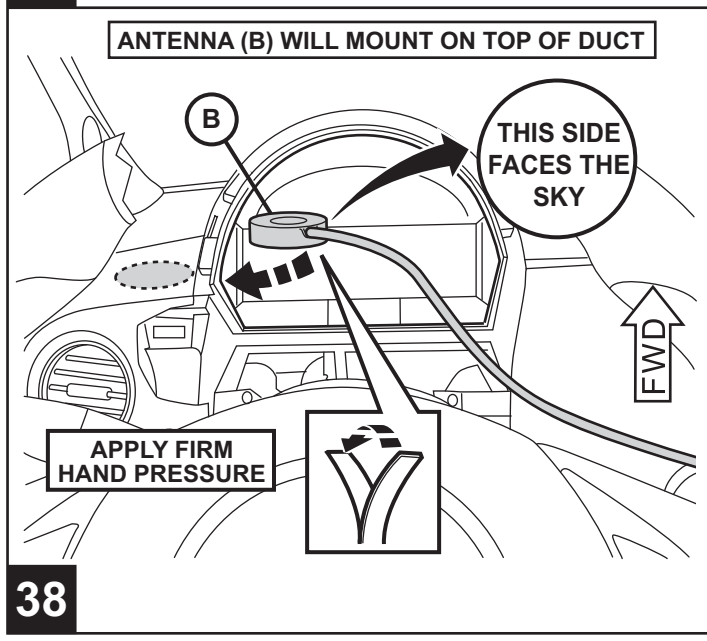
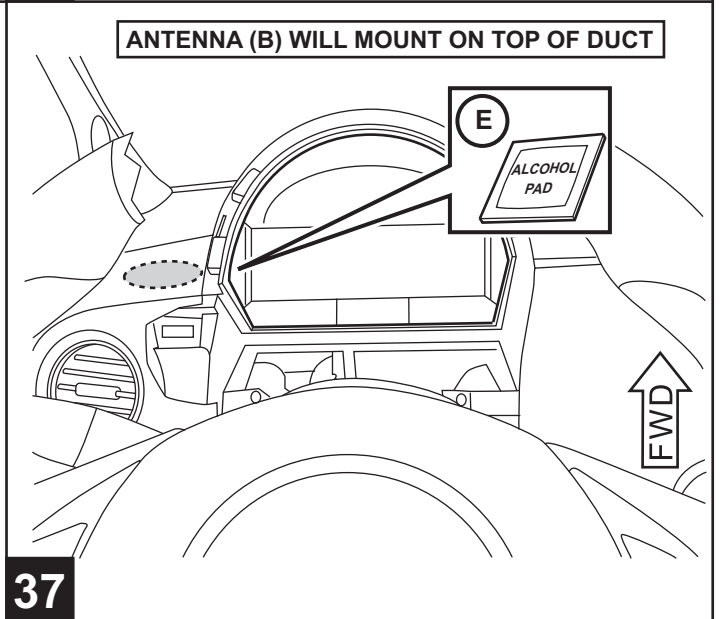
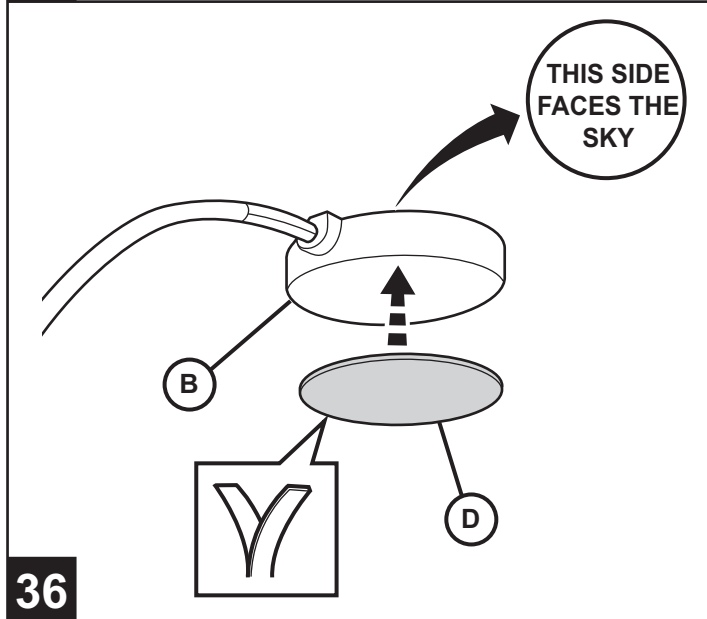
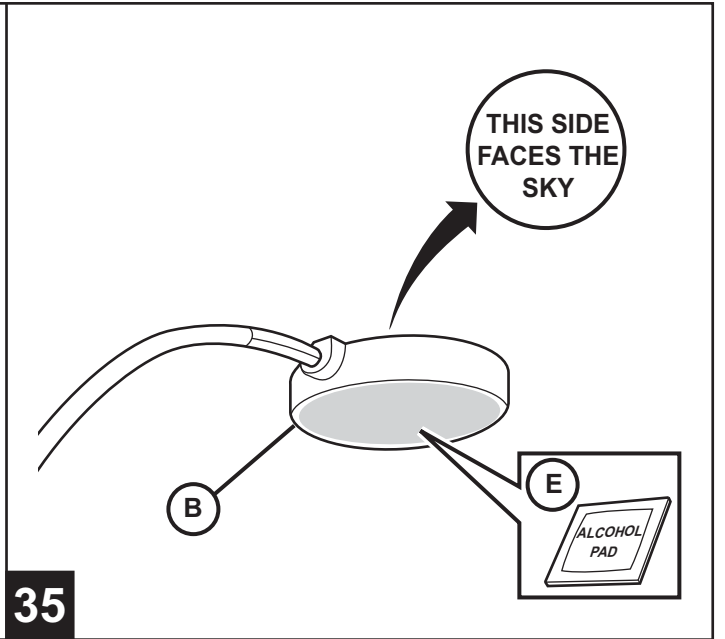
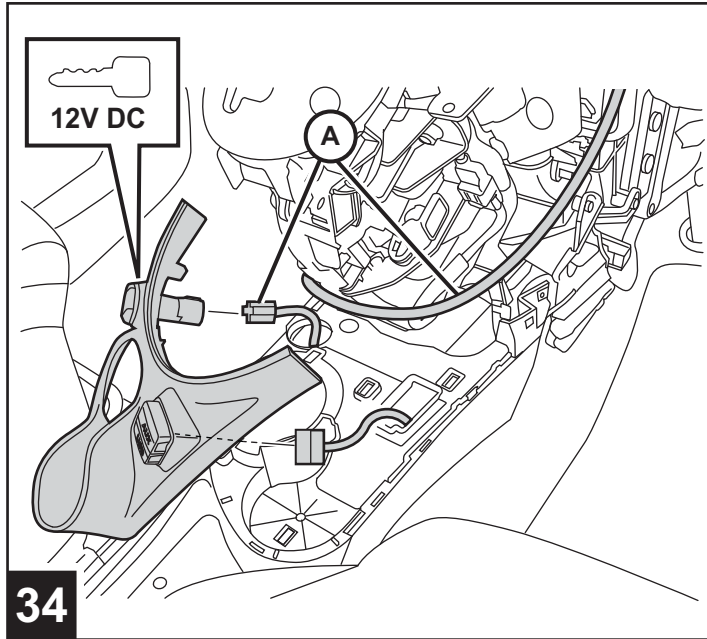


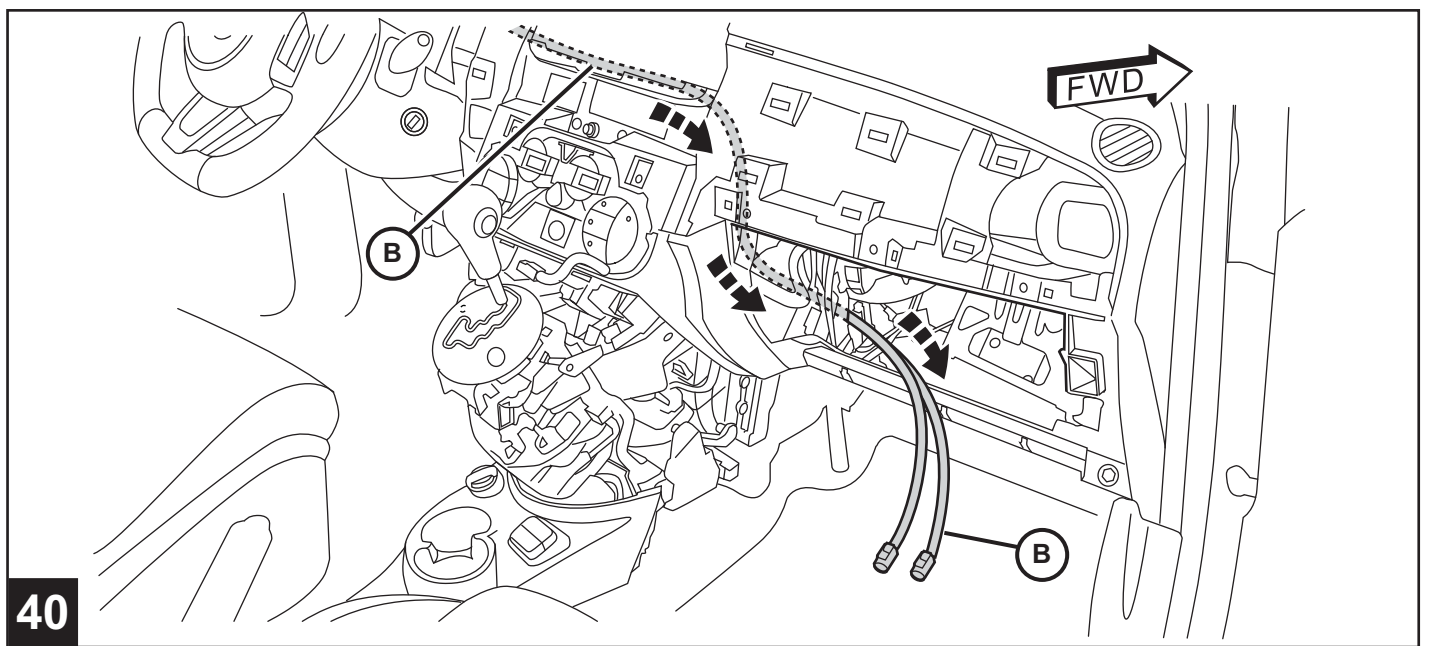
32



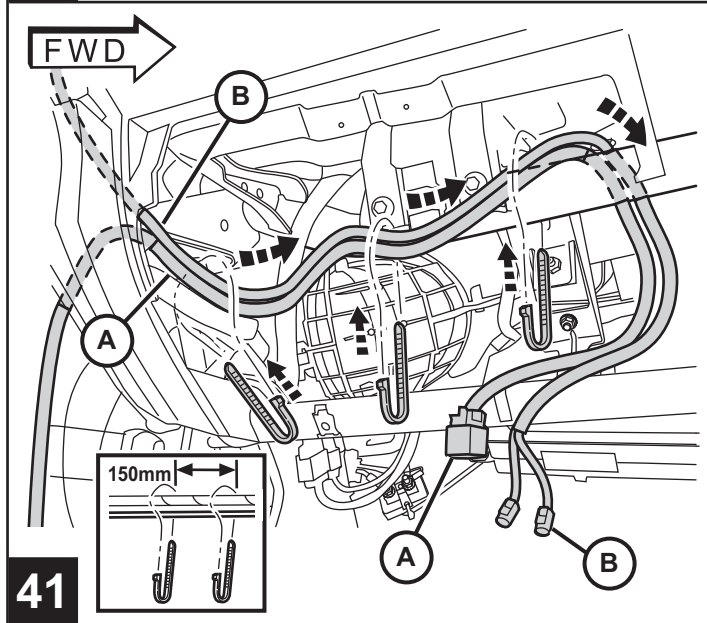
33



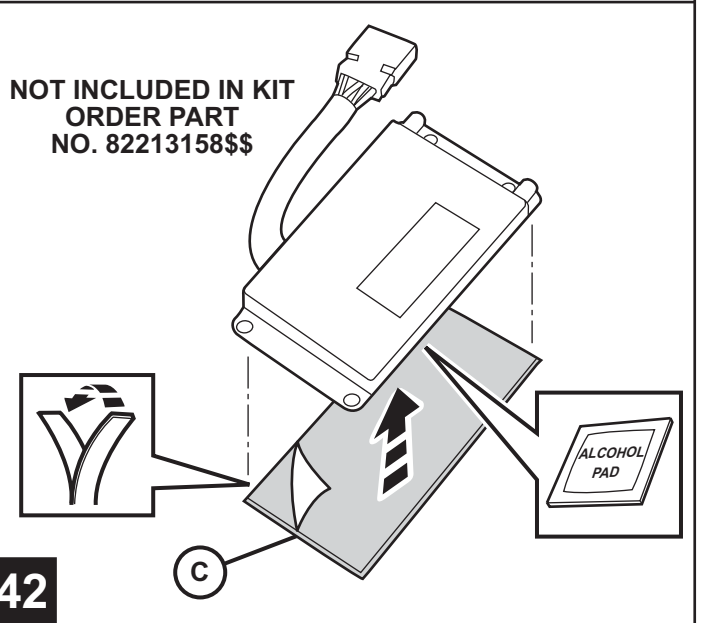




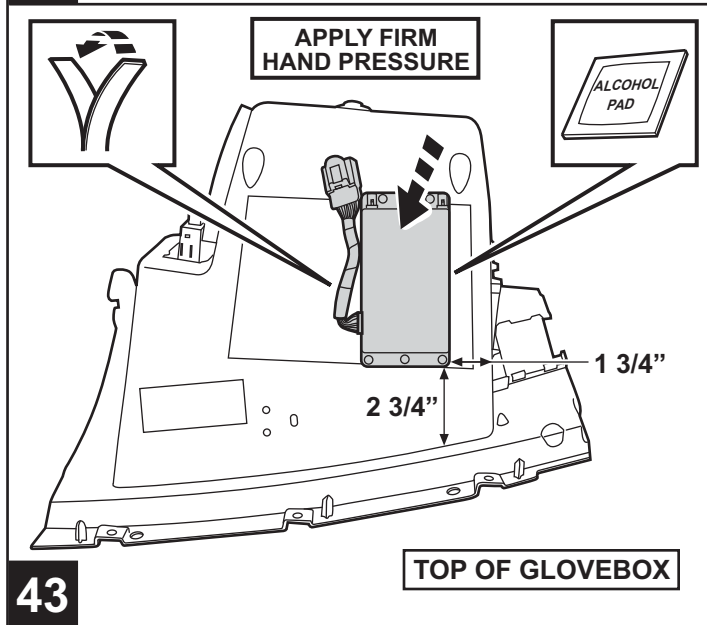
40



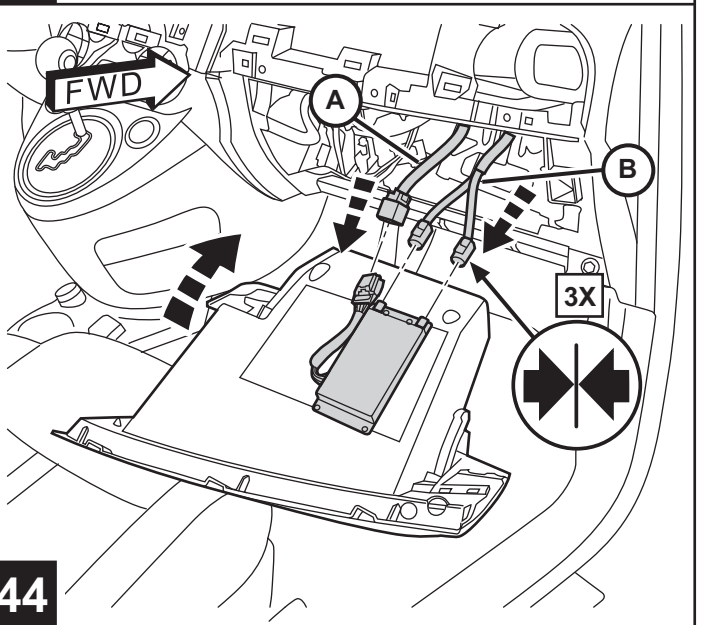
41



42

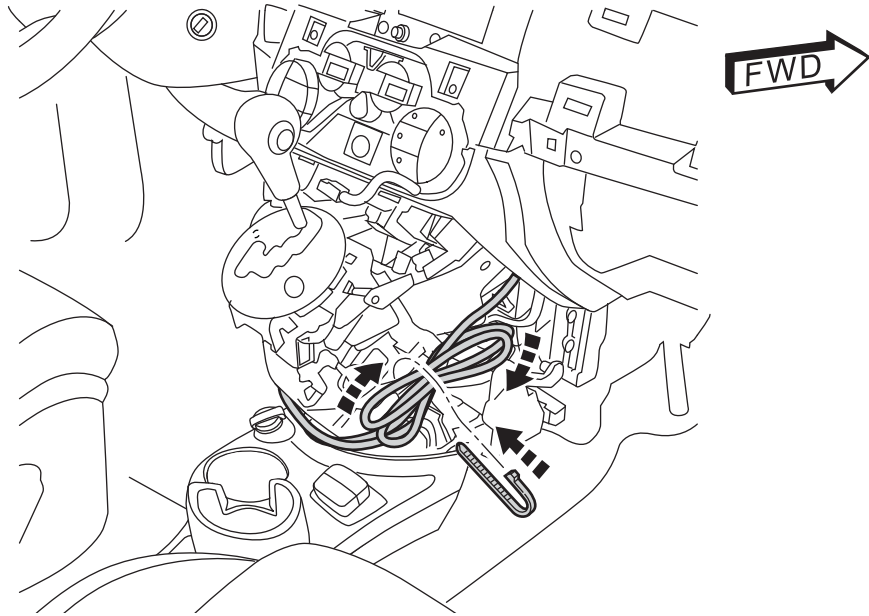


43

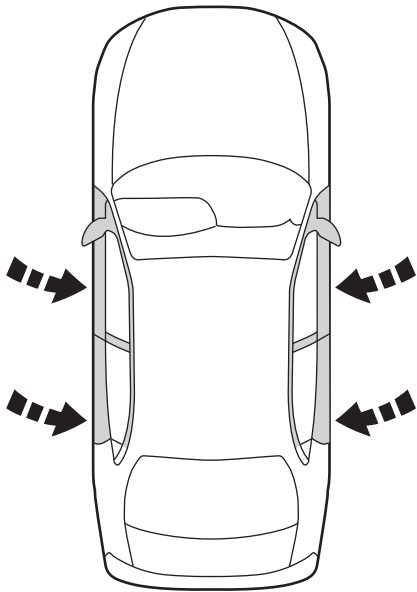


44

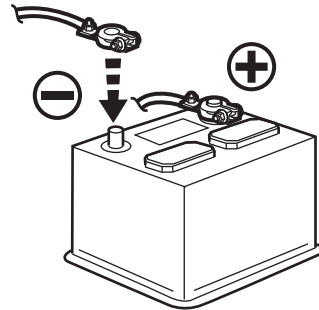
45



46



47



48

REFER TO END OF LINE (EOL) TEST PROCEDURE  
ON THE FOLLOWING PAGES

## Mopar Connect – End Of Line (EOL) Procedure

### To be performed by the installer

The EOL procedure will verify proper function/installation of the Mopar Connect Module and Installation Kit in the vehicle.

Equipment Needed To Perform This Procedure:

- Laptop or PC with internet access
- Smart phone

**NOTE: Some screens and commands may be different based on the smartphone operating system. For example, some smartphone operating systems require that you press “login” or “enter” to continue. If assistance is needed, please call Autonet Mobile Customer Care Center at 1-855-75MOPAR.**

Questions regarding this procedure should be directed to  
Autonet Mobile Customer Care Center at  
1 -855-75MOPAR

---

### Testing the Mopar Connect Module After Installation In The Vehicle

1. Ensure that all doors have been closed on the vehicle for at least 3 minutes.  
Have all doors been closed on the vehicle for at least 3 minutes?
  - a) **No**, go to Step 2.
  - b) **Yes**, go to Step 3.
2. Close all doors and wait 3 minutes before continuing to Step 3.
3. Open driver’s door and turn ignition switch to RUN position within 15 seconds of opening the driver’s door. If this is not completed within 15 seconds, go back to Step 2, otherwise, continue to next step.
4. Leave the ignition key in the RUN position for up to 3 minutes while the Mopar Connect module reads the VIN of the vehicle and re-writes the Network Name (SSID) that will be used in the next step.
5. After 3 minutes have elapsed, open the wireless network list on the smart phone, laptop, or PC. Look for a Network Name (SSID) that either says “**mopar-XXXX**” (where XXXX are the last 4 digits as the vehicle’s VIN) or “**autonet-NNNN**” (where NNNN are the last 4 digits of the Mopar Connect Module’s serial number). The serial number can also be found on the Activation Card that will be given to the customer.
  - a) If “**autonet-NNNN**” appears in the network list, continue to step 6.
  - b) If “**mopar-XXXX**” appears in the network list, connect to that network and continue to Step 7.
6. Turn ignition key to off position. Close driver’s door. Disconnect Mopar Connect module. Wait 15 seconds. Reconnect Mopar Connect Module. Go back to Step 3 and start over.



## Mopar Connect – End Of Line (EOL) Procedure (continued)

7. Open the web browser on the device (smartphone, laptop or PC) and go to:

**<http://www.autonetrouter.com/eol>**

**NOTE: Some screens and commands may be different based on the smartphone operating system. For example, some smartphone operating systems require that you press “login” or “enter” to continue. If assistance is needed, please call Autonet Mobile Customer Care Center at 1-855-75MOPAR.**

If the following screen appears after opening the browser on the device or the browser redirects you to this screen:



Do not press Login, rather, in the URL Address Bar of the browser, type

**<http://www.autonetrouter.com/eol>**

and press Enter.

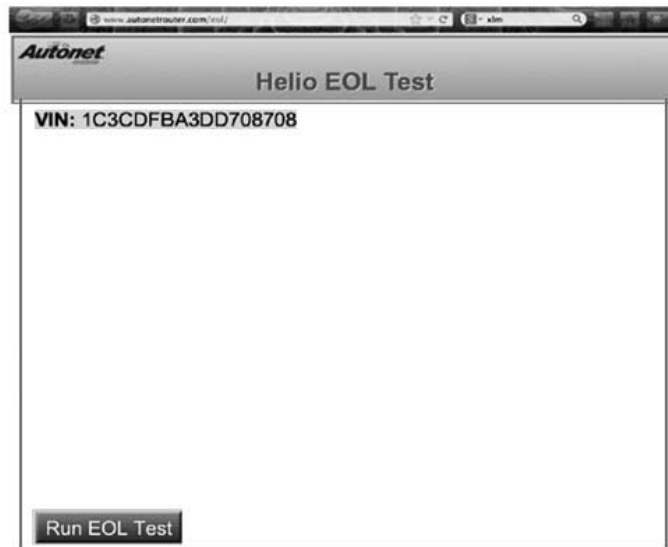
**NOTE: Some screens and commands may be different based on the smartphone operating system. For example, some smartphone operating systems require that you press “login” or “enter” to continue. If assistance is needed, please call Autonet Mobile Customer Care Center at 1-855-75MOPAR.**

If the following screen appears while trying to access the URL above, go back to Step 5 and start over, otherwise, continue to the next Step.



## Mopar Connect – End Of Line (EOL) Procedure (continued)

8. Successful access to <http://www.autonetrouter.com/eol> will display the following screen: (VIN may or may not be present)



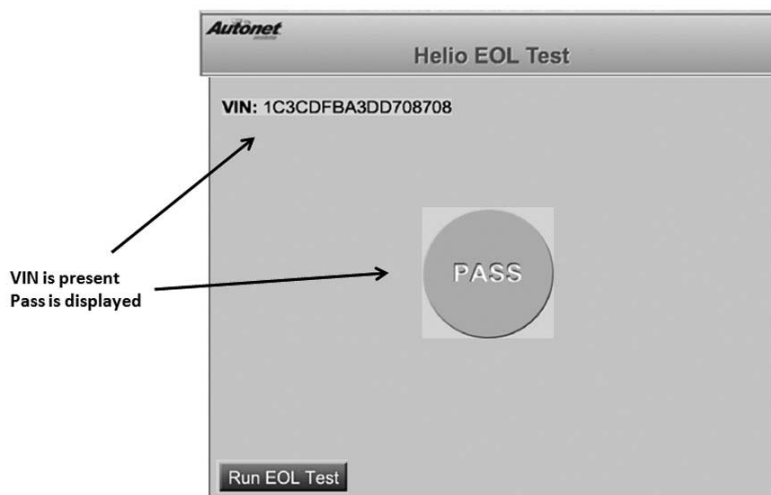
9. The EOL test consists of two parts:

- Verification of proper connection of the Mopar Connect module to the vehicle's CAN bus as indicated by the displaying of the vehicle's VIN on the browser screen.
- Verification of communication via network/WiFi as indicated by the Pass/Fail message in the center of the screen when the EOL test is executed from the browser screen.

For proper function of the Mopar Connect module, both parts (9a and 9b) of the EOL test must pass.

10. Click on the button "Run EOL test"

11. If both parts of the EOL test passes, the following will be displayed:

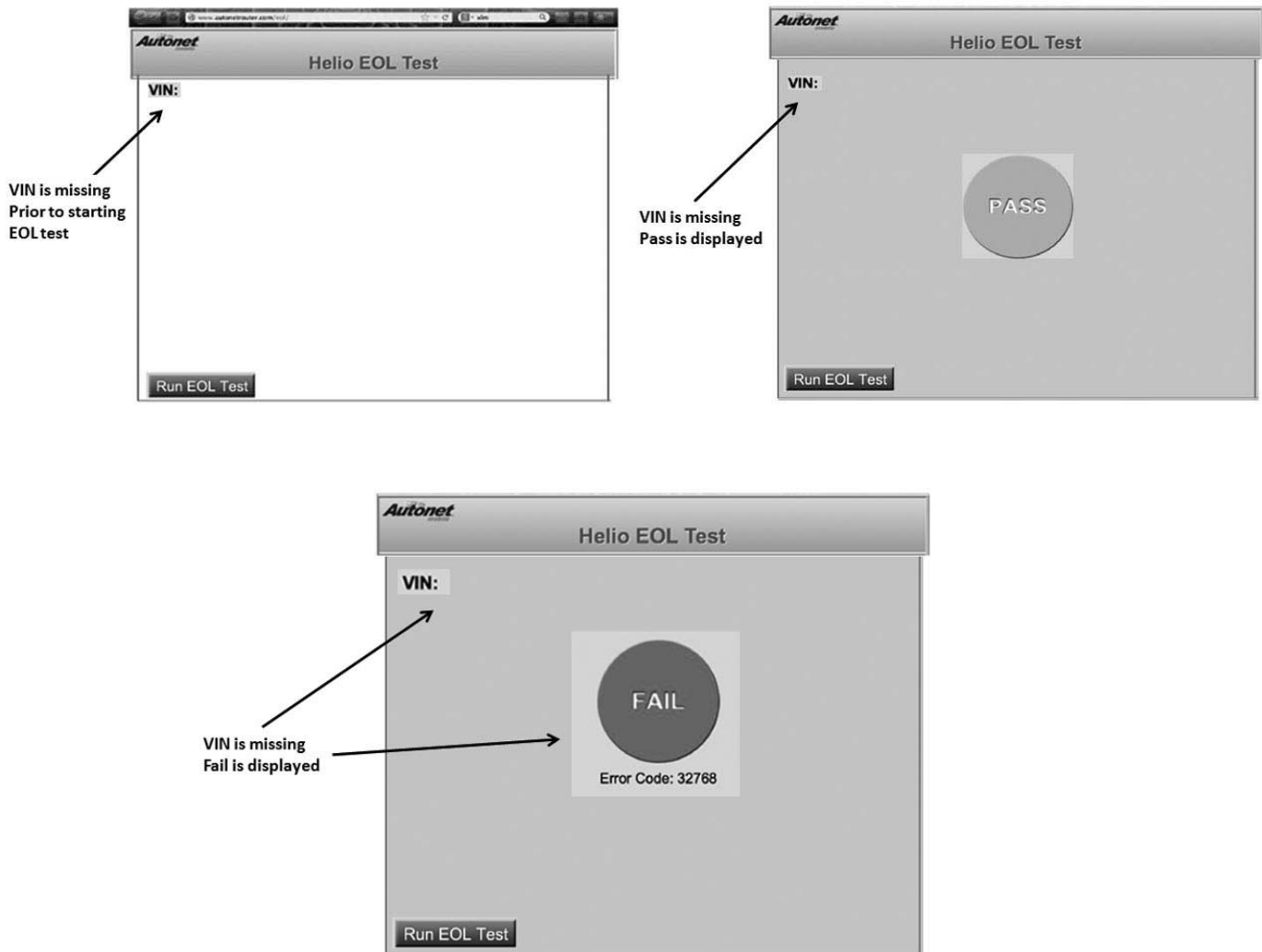


## Mopar Connect – End Of Line (EOL) Procedure (continued)

If both parts of the EOL test pass, then EOL testing is complete. Otherwise, continue to Step 12.

12. If one or both parts of the EOL test fail, any of the following screens can be displayed:

**NOTE:** It is possible to fail one part and pass the other. For example, a green color Pass indicator on the center of the browser screen, but VIN missing on the browser screen does not signify a successful pass of the EOL test. See example below.



- A missing VIN indicates that the Mopar Connect is not properly connected to the vehicle's CAN bus.
- A red color Fail status displayed indicates that the network/WiFi portion of the EOL test failed.

## Mopar Connect – End Of Line (EOL) Procedure (continued)

For all other errors or for further assistance,  
contact the Autonet Mobile Customer Care Center at

**1 -855-75MOPAR**

and provide the Customer Care Agent with  
the error code that is displayed on the screen.

**CHECK ALL WIRING AND  
TRIM ALL CABLE TIES.**

**REVERSE STEP 2 THROUGH 24 TO  
REINSTALL ALL BODY PANELS  
AND COMPONENTS.**

**AFTER FINAL ASSEMBLY,  
CLEAR ALL FAULT CODES**

**GIVE ACTIVATION CARD TO CUSTOMER  
FOR FINAL ACTIVATION PROCEDURE.**

**49**

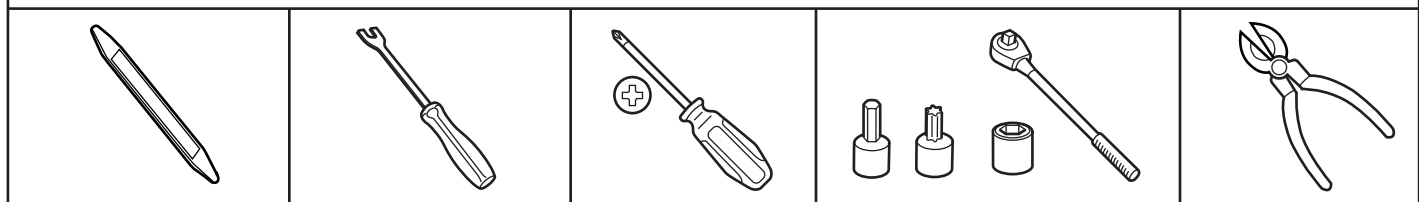
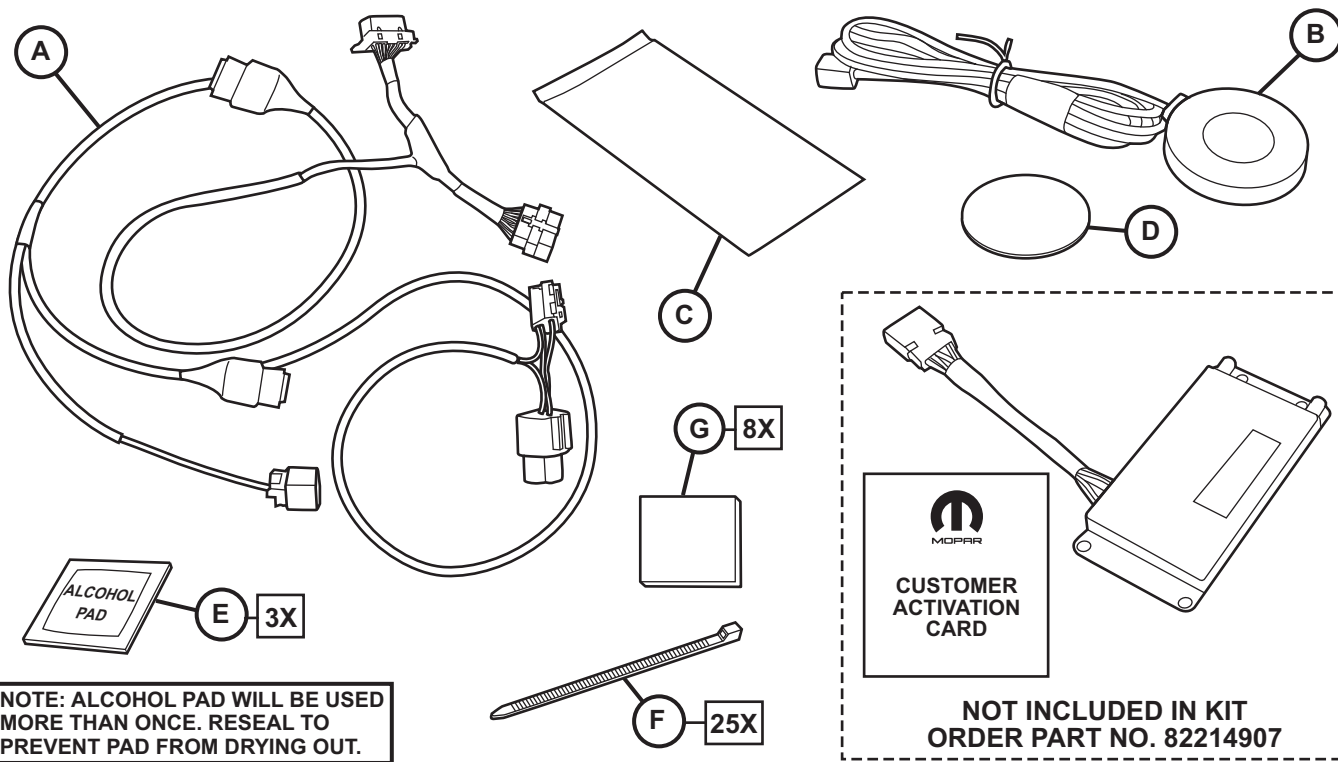
**50**



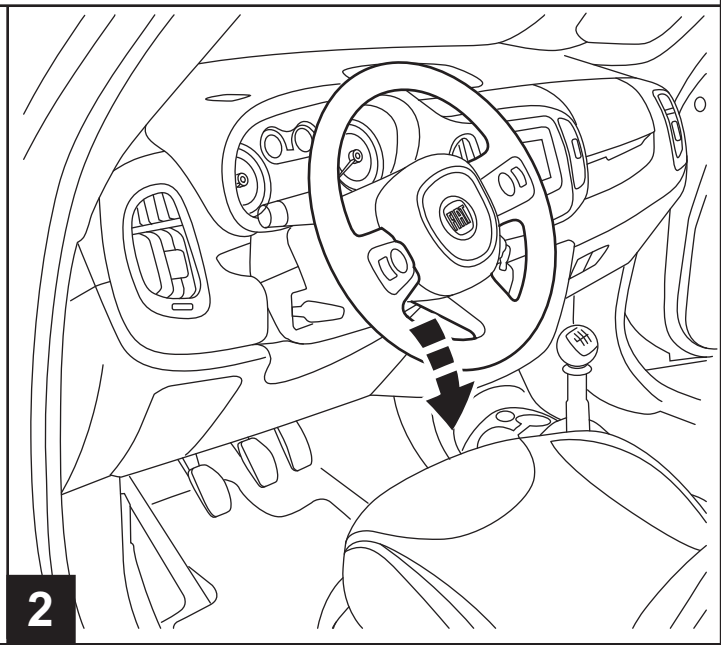
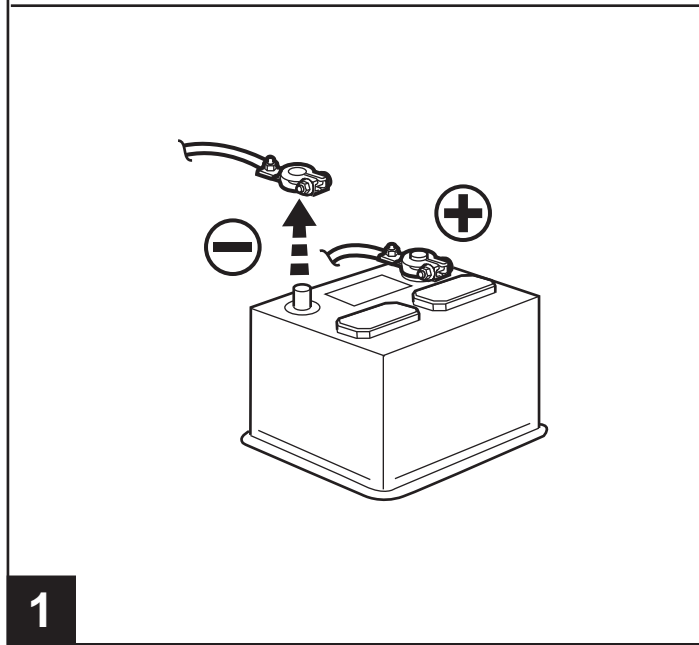


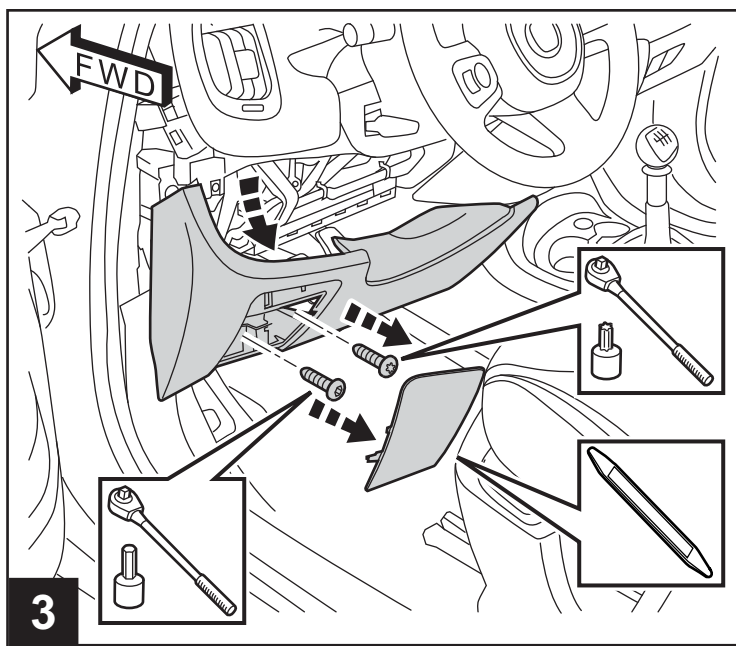
# FIAT 500L MOPAR WEB

www.mopar.com

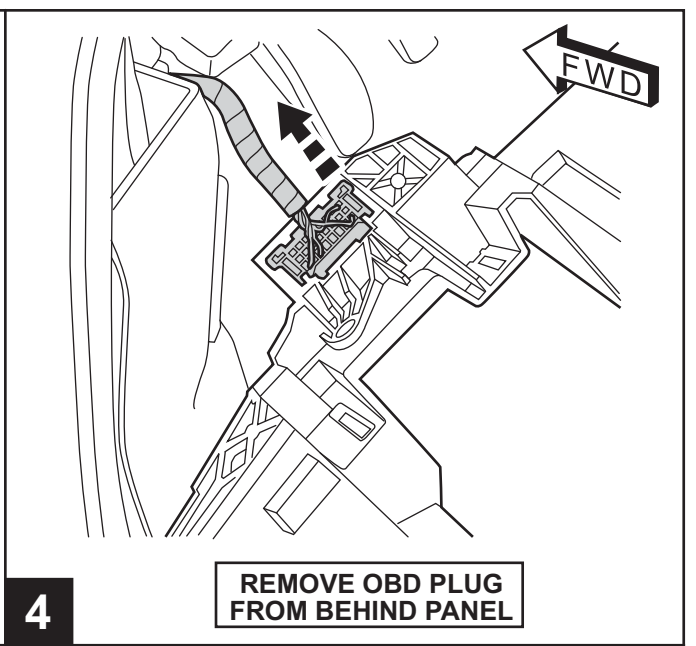


## RETAIN ALL FASTENERS FOR REINSTALLATION



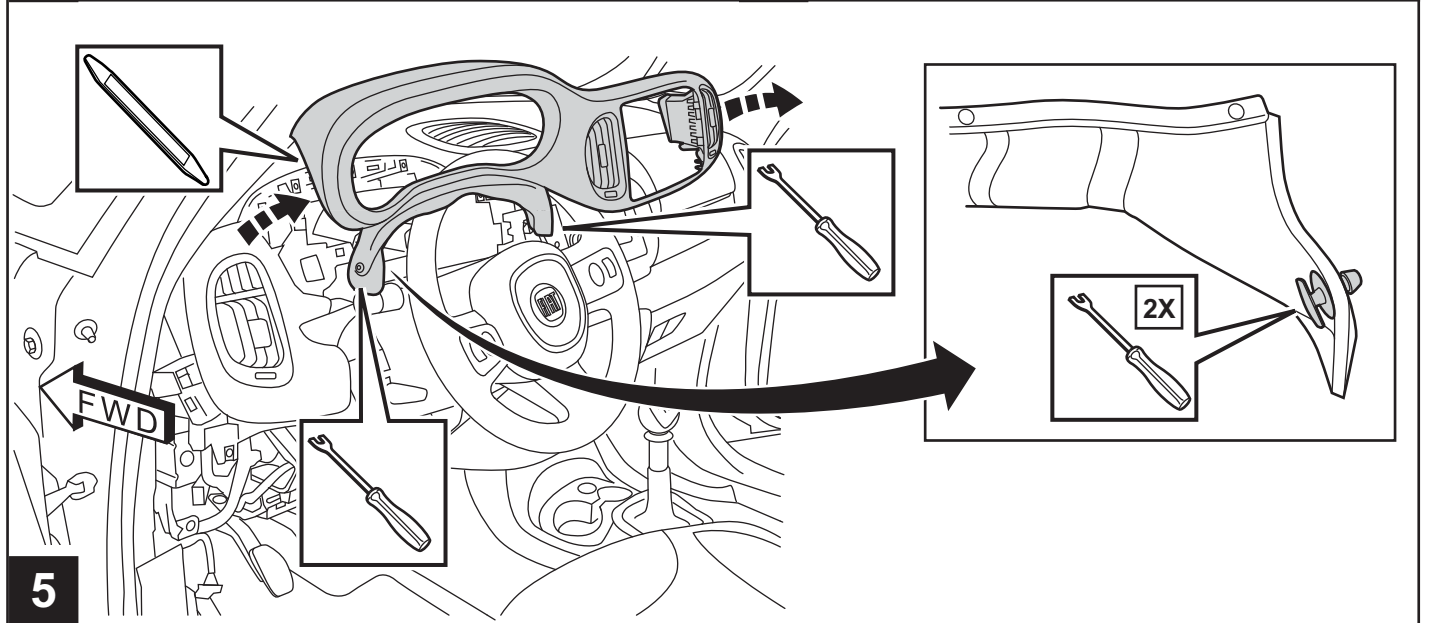


3

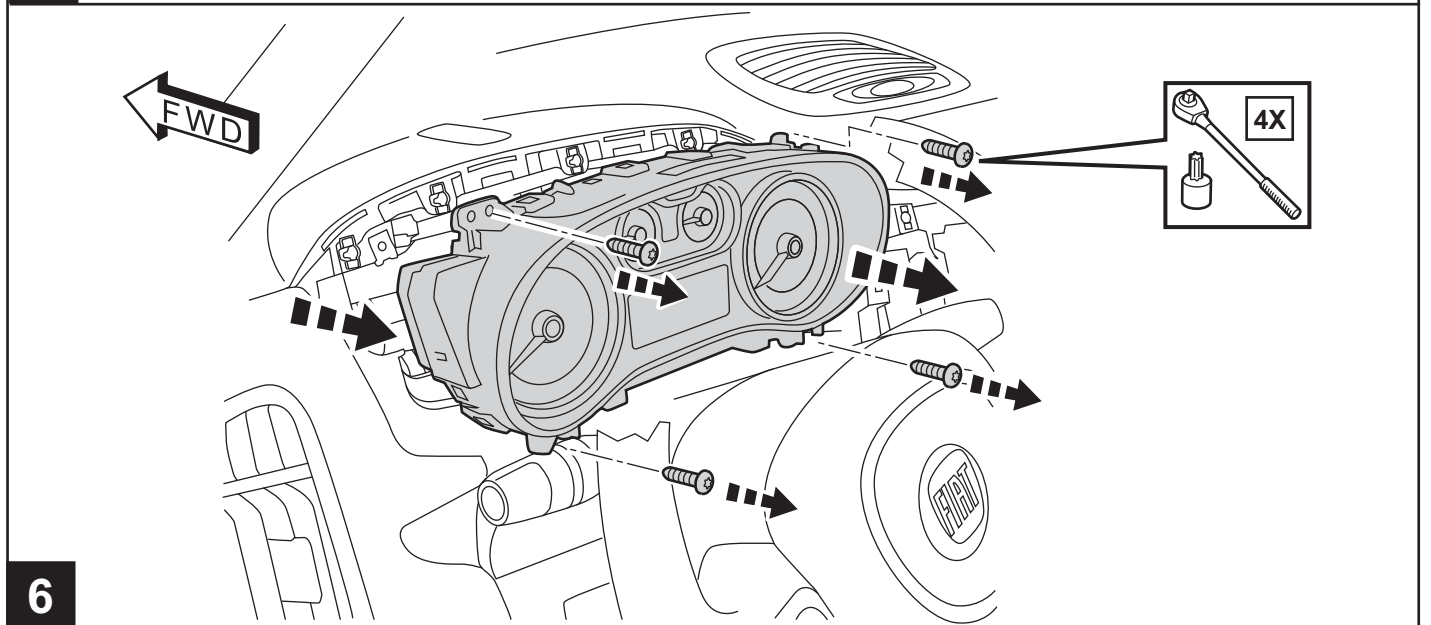


4

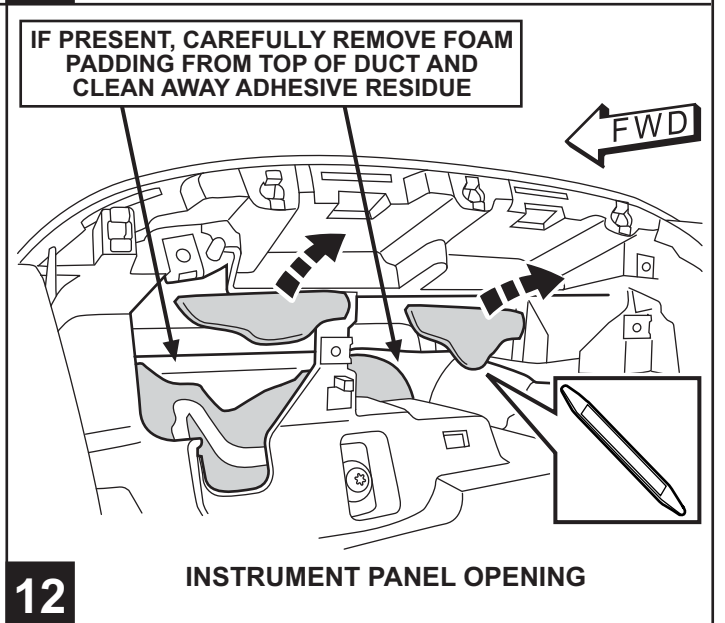
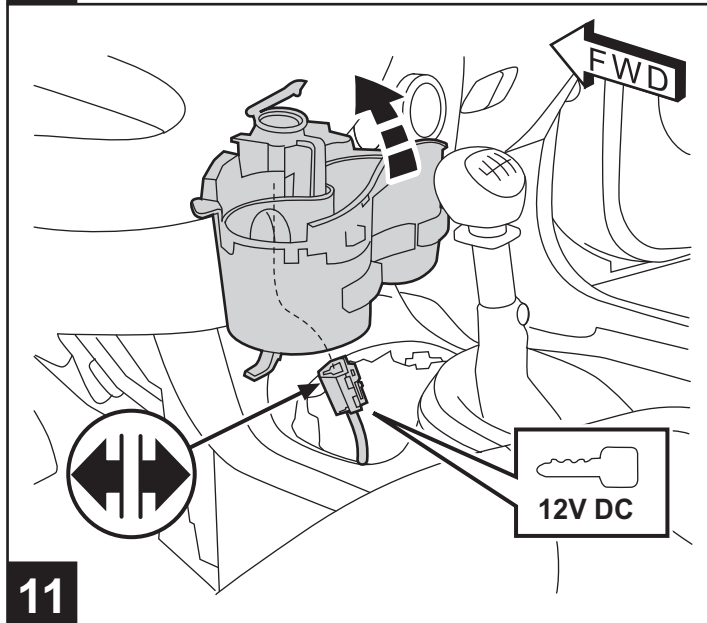
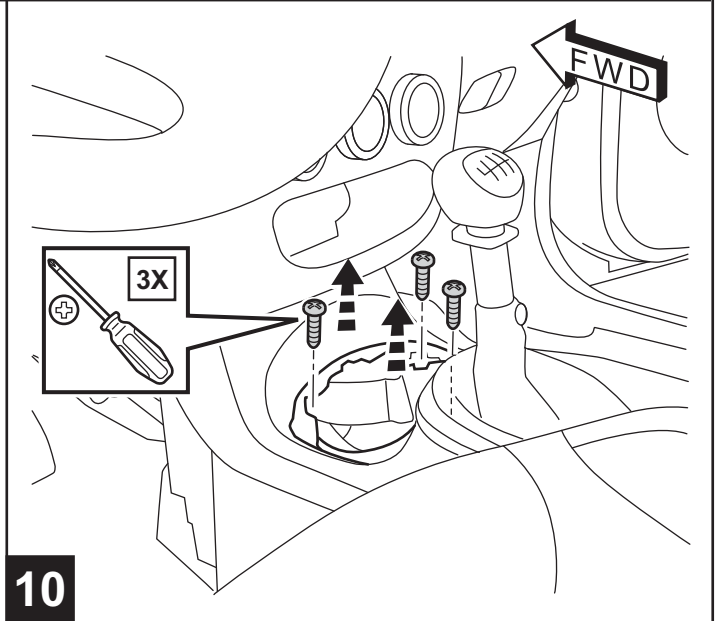
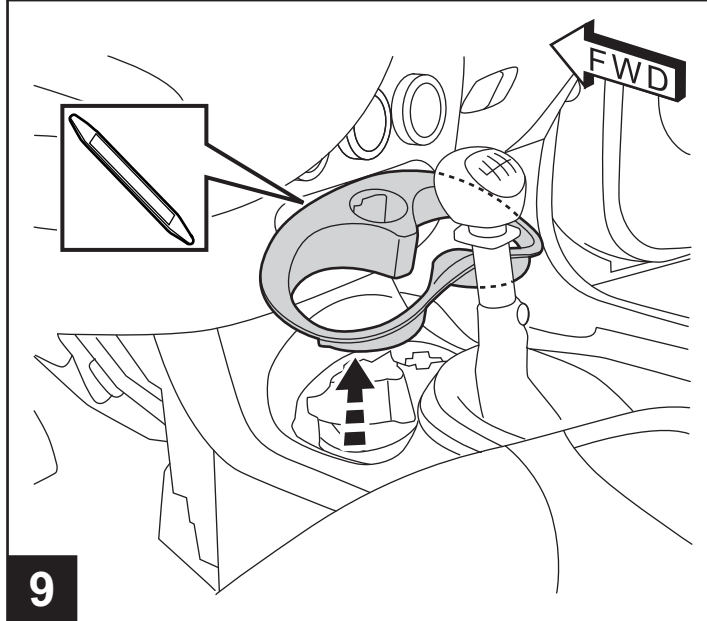
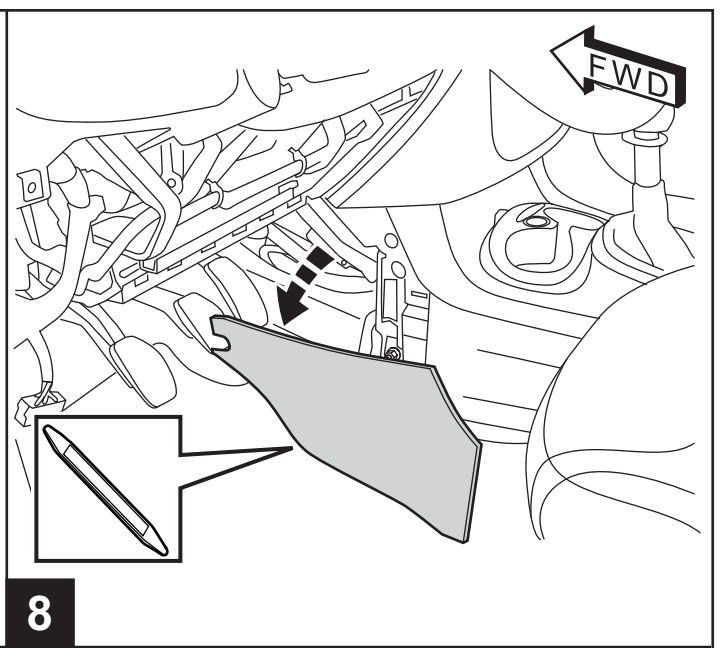
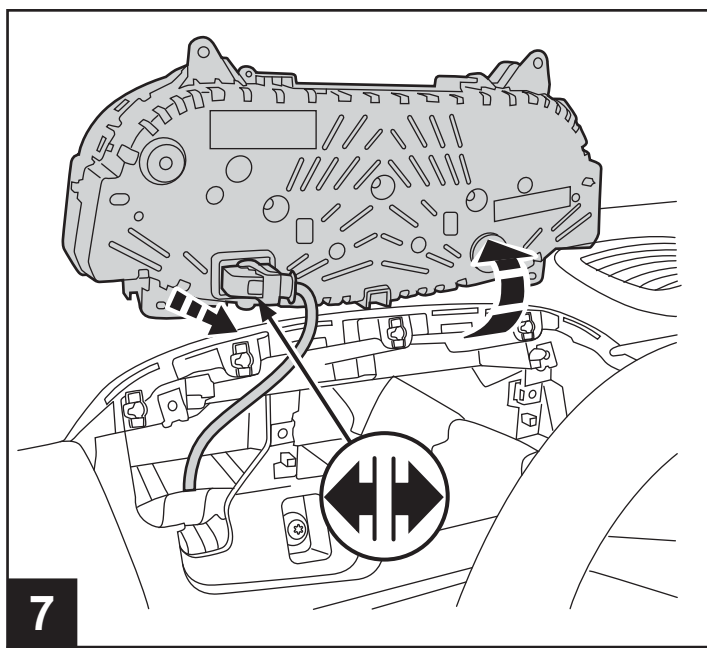
REMOVE OBD PLUG FROM BEHIND PANEL

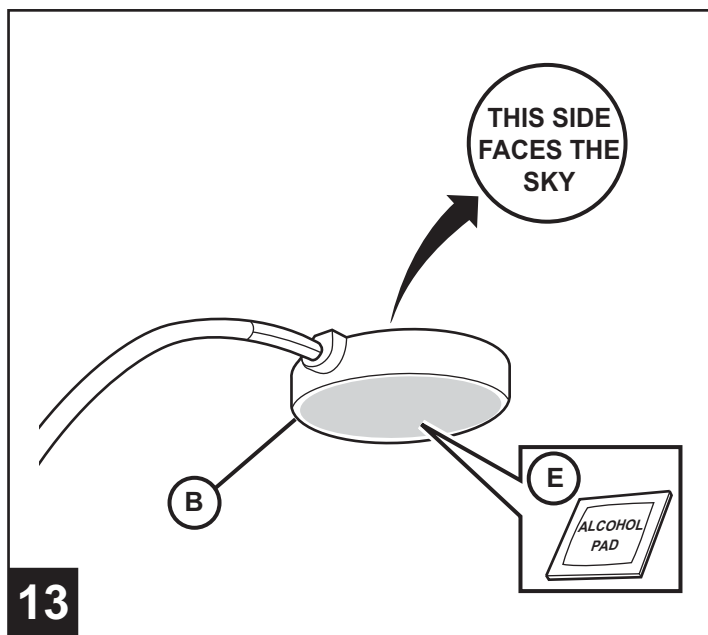


5

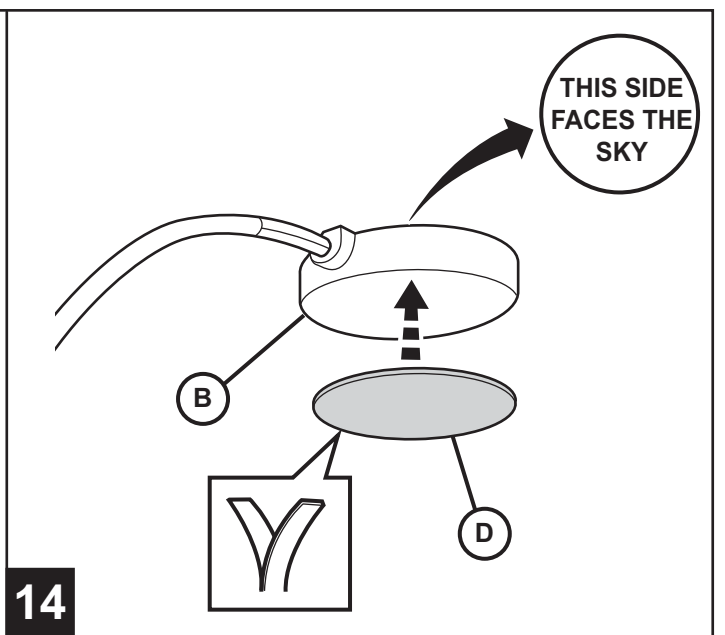


6

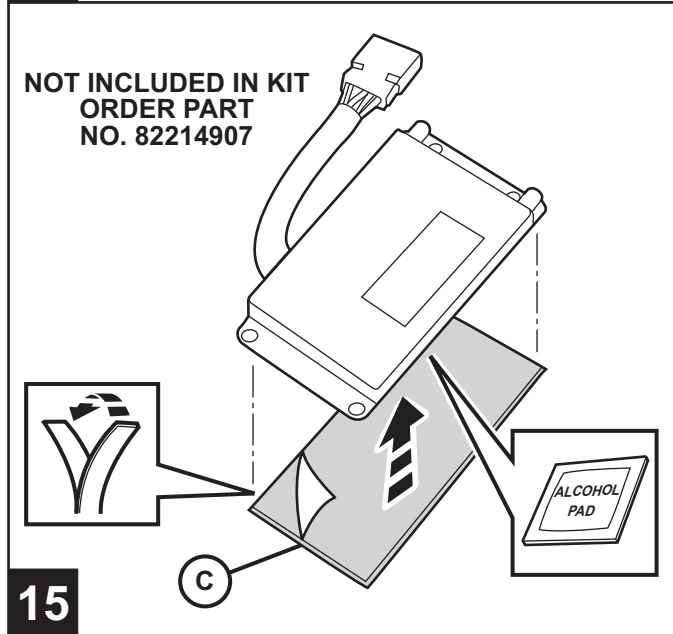




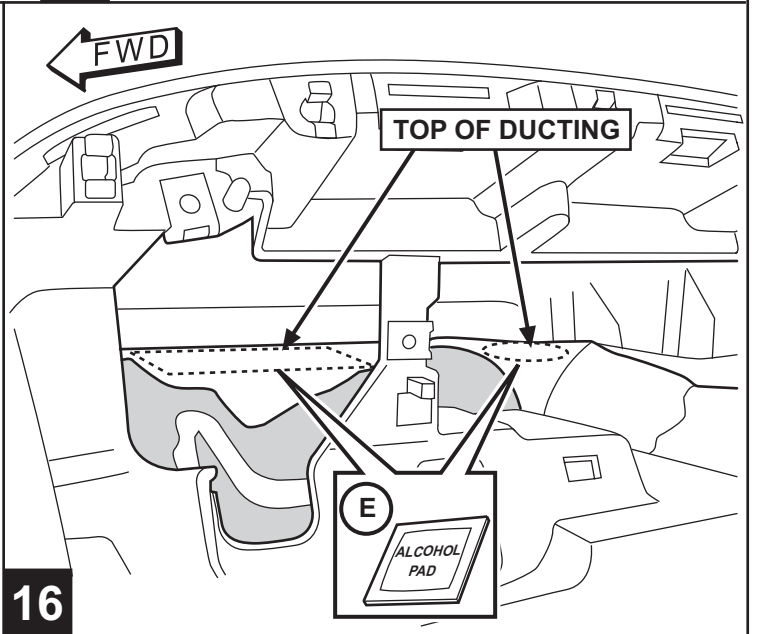
13



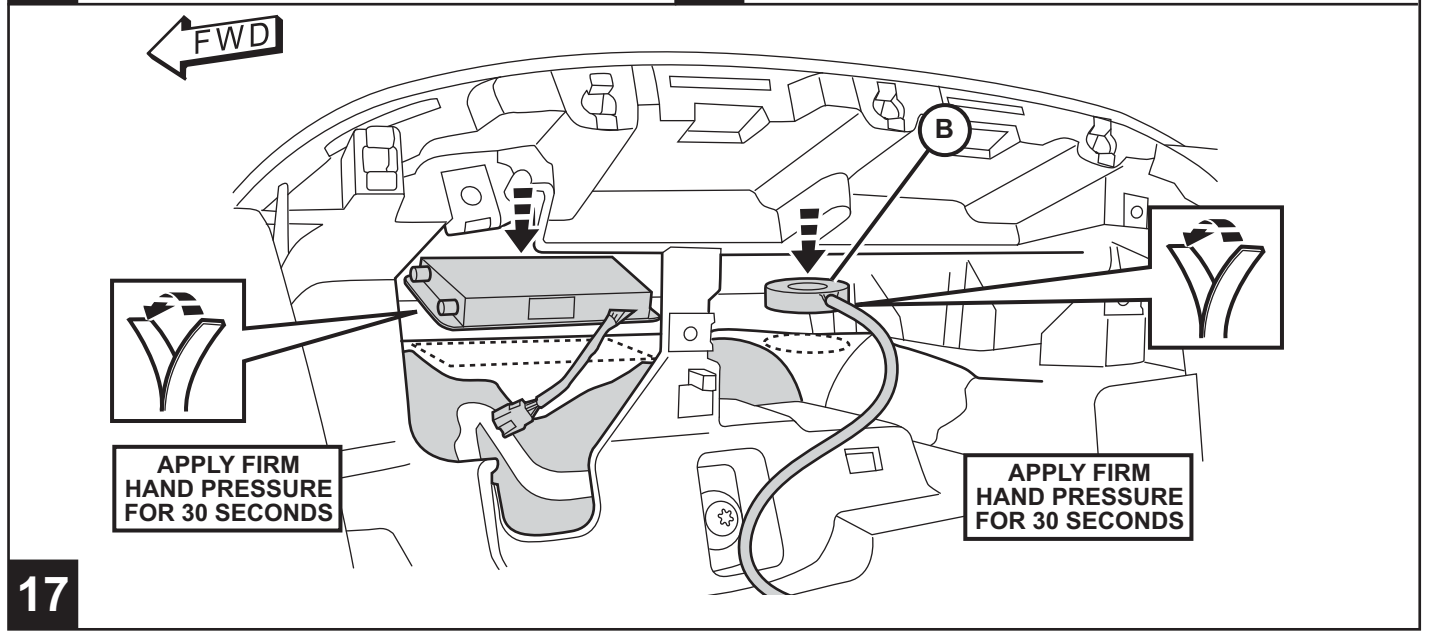
14



15

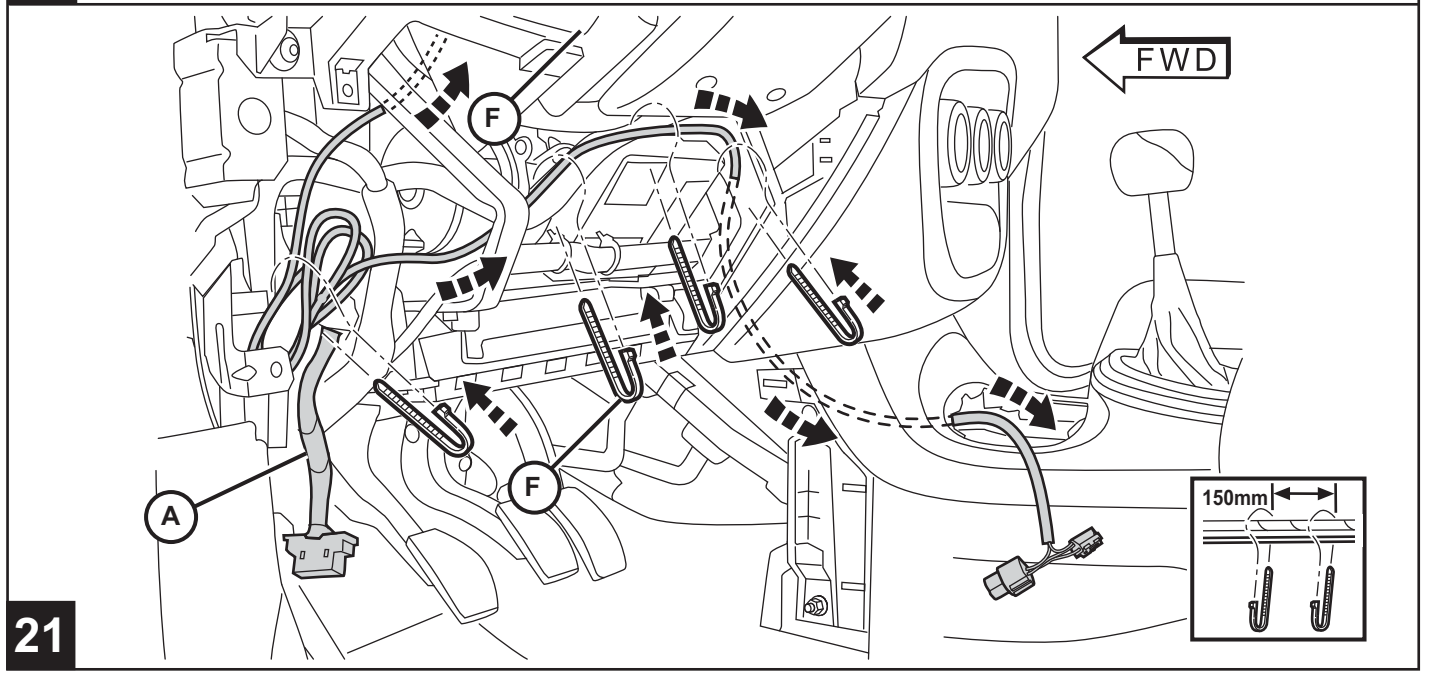
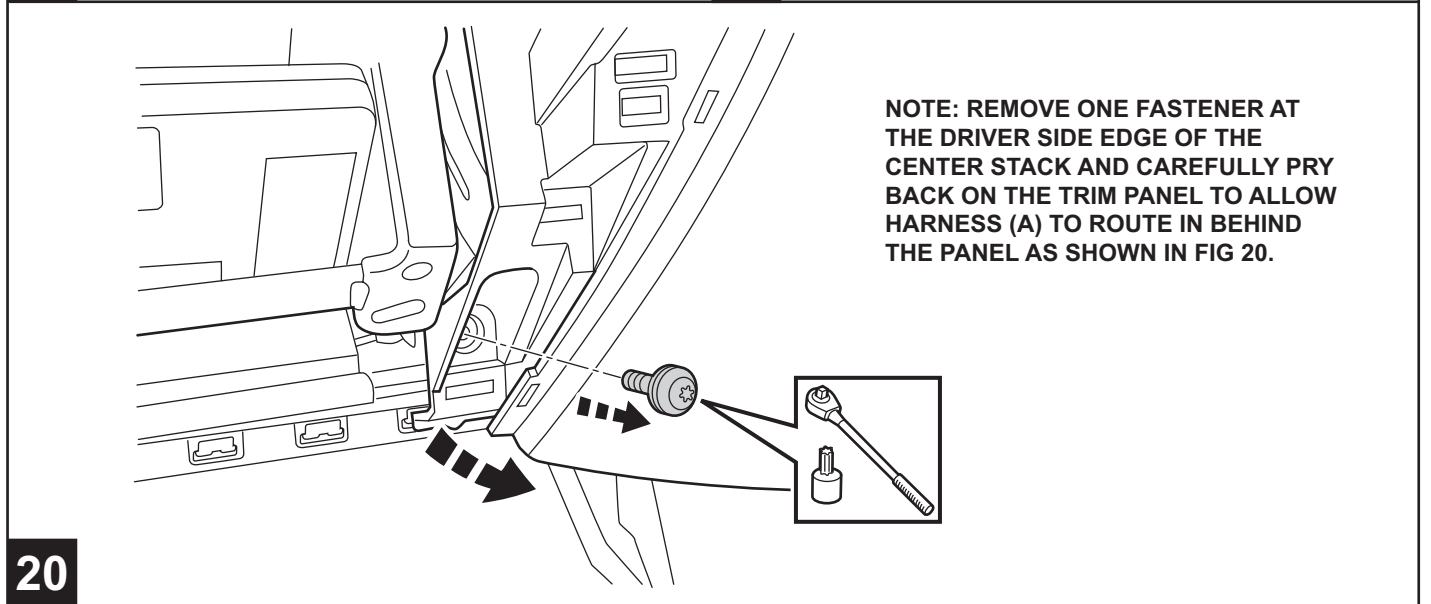
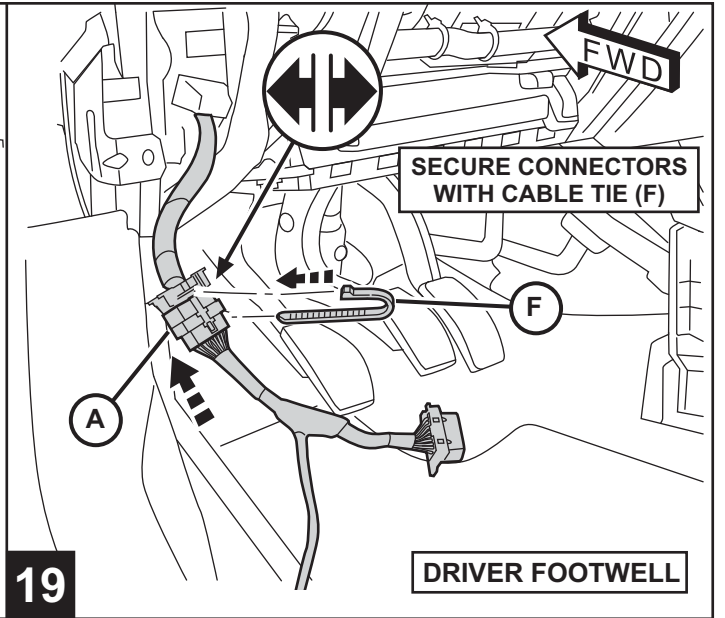
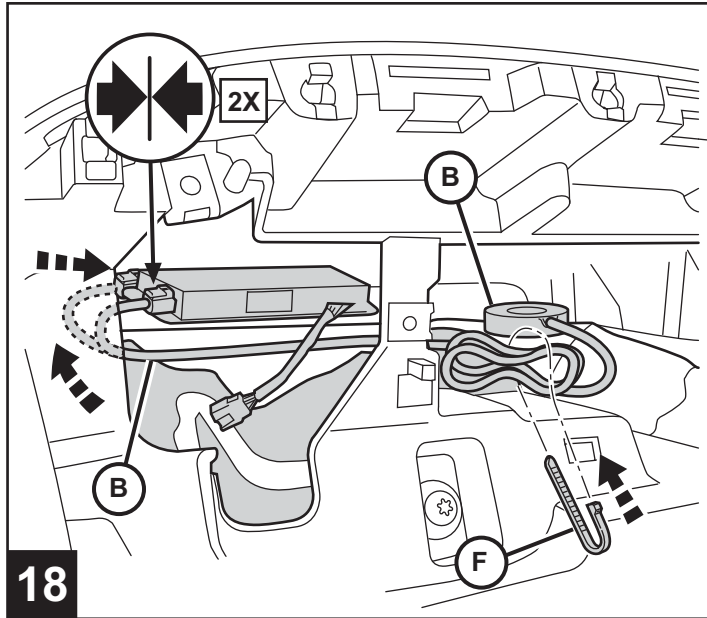


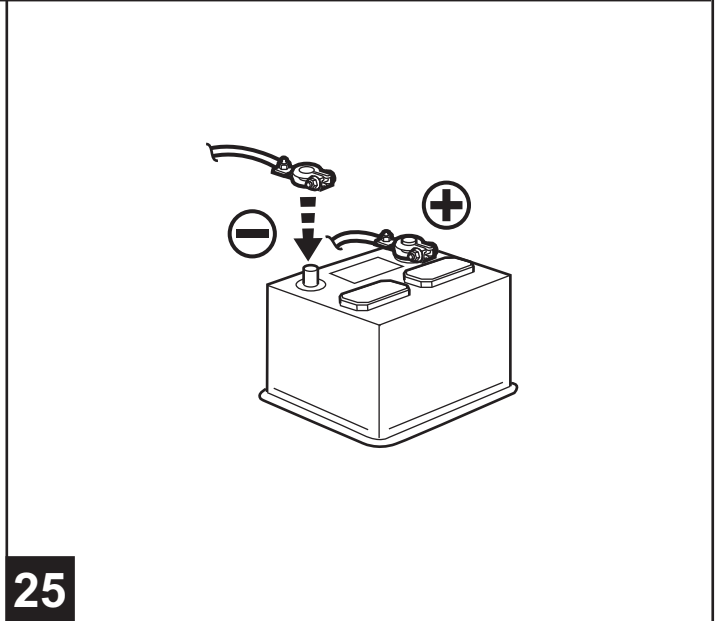
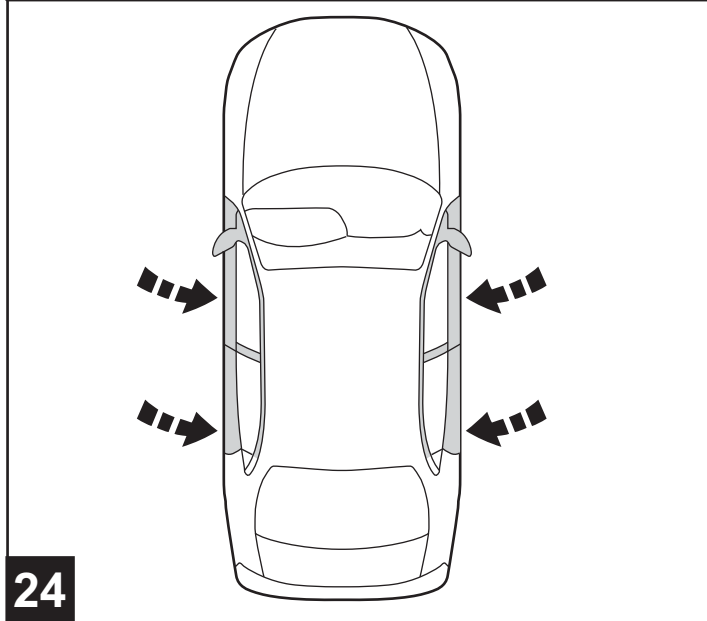
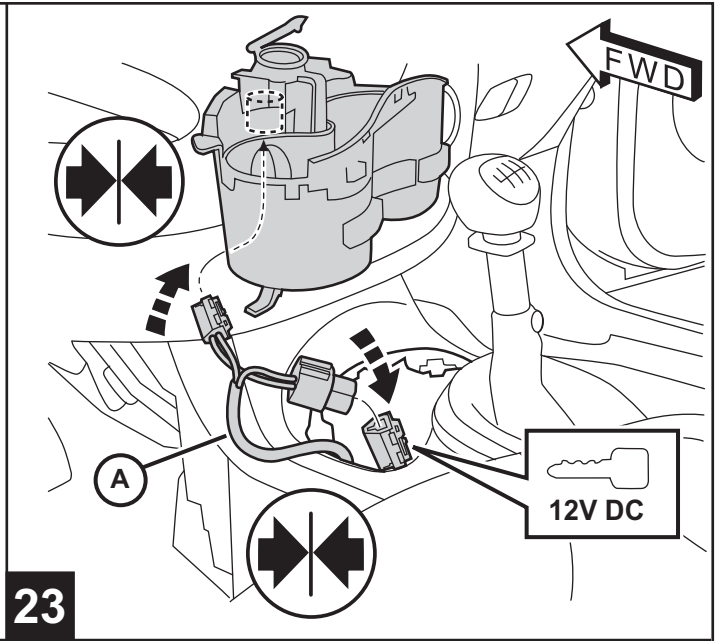
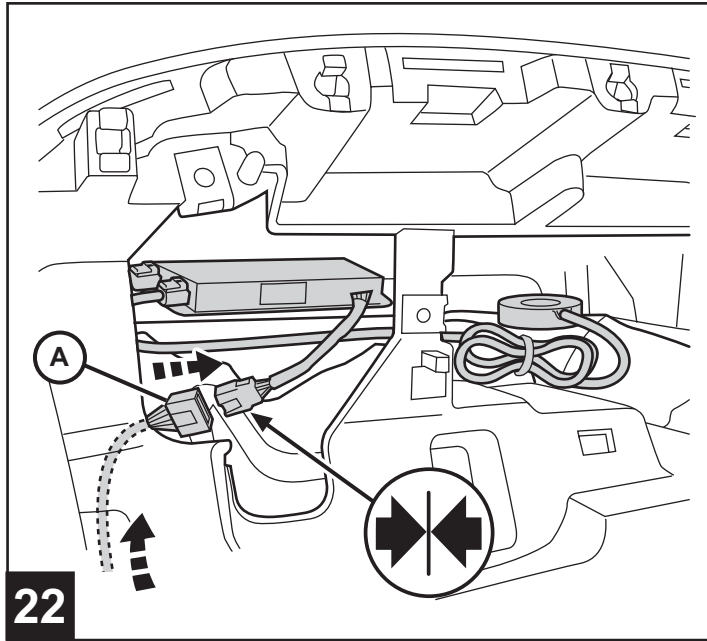
16



17







REFER TO END OF LINE (EOL) TEST PROCEDURE  
ON THE FOLLOWING PAGES

## Mopar Web – End Of Line (EOL) Procedure

### To be performed by the installer

The EOL procedure will verify proper function/installation of the Mopar Web Module and Installation Kit in the vehicle.

Equipment Needed To Perform This Procedure:

- Laptop or PC with internet access
- Smart phone

**NOTE: Some screens and commands may be different based on the smartphone operating system. For example, some smartphone operating systems require that you press “login” or “enter” to continue. If assistance is needed, please call Autonet Mobile Customer Care Center at 1-855-756-6727.**

**Questions regarding this procedure should be directed to  
Autonet Mobile Customer Care Center at  
1-855-756-6727**

---

### Testing the Mopar Web Module After Installation In The Vehicle

1. Open the driver’s door and turn the ignition switch to the RUN position.
2. Leave the ignition key in the RUN position for up to 3 minutes.
3. After 3 minutes have elapsed, open the wireless network list on the smart phone, laptop, or PC. Look for a Network Name (SSID) that either says “**mopar-NNNN**”(where NNNN are the last 4 digits of the Mopar Web Module’s serial number). The serial number can also be found on the Activation Card that will be given to the customer.
4. Open the web browser on the device (smartphone, laptop or PC) and go to:  
**<http://www.autonetrouter.com/eol>**

**NOTE: Some screens and commands may be different based on the smartphone operating system. For example, some smartphone operating systems require that you press “login” or “enter” to continue. If assistance is needed, please call Autonet Mobile Customer Care Center at 1-855-756-6727.**

## Mopar Web – End Of Line (EOL) Procedure (continued)

If the following screen appears after opening the browser on the device or the browser redirects you to this screen:



Do not press Login, rather, in the URL Address Bar of the browser, type **<http://www.autonetrouter.com/eol>** and press Enter.

**NOTE: Some screens and commands may be different based on the smartphone operating system. For example, some smartphone operating systems require that you press “login” or “enter” to continue. If assistance is needed, please call Autonet Mobile Customer Care Center at 1-855-756-6727.**

If the following screen appears while trying to access the URL above, go back to Step 1 and start over, otherwise, continue to the next Step.



## Mopar Web – End Of Line (EOL) Procedure (continued)

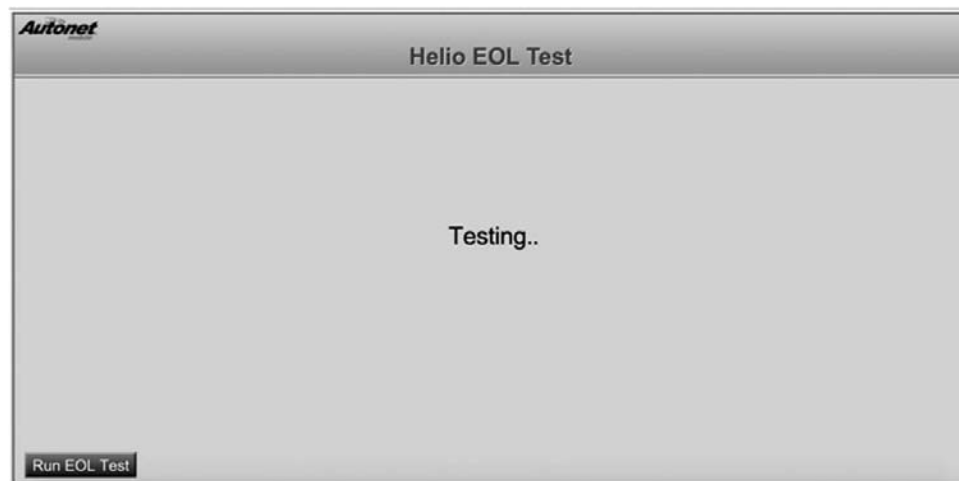
5. Successful access to <http://www.autonetrouter.com/eol> will display the following screen:



6. The EOL test verifies communication via network/WiFi as indicated by the Pass/Fail message in the center of the screen when the EOL test is executed from the browser screen.

For proper function of the Mopar Connect module, the EOL test must pass.

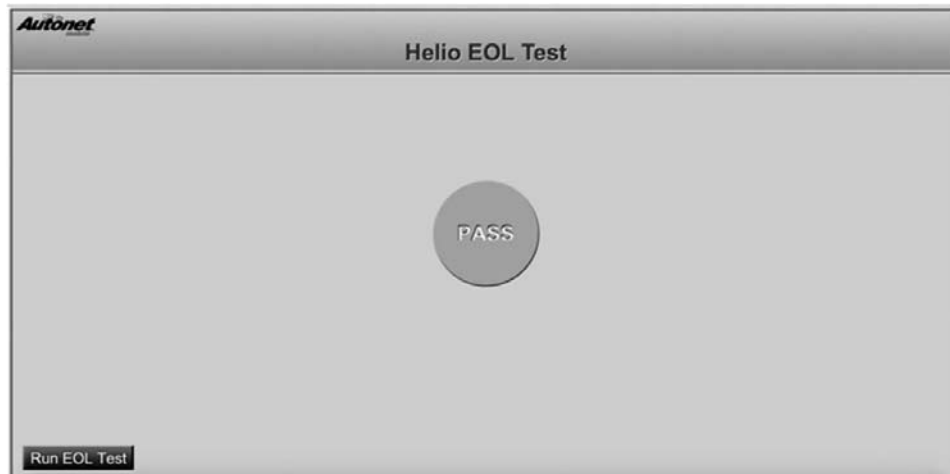
7. Click on the button “Run EOL test” and the following will be displayed:





## Mopar Web – End Of Line (EOL) Procedure (continued)

8. If the EOL test passes, the following will be displayed:



If the EOL test passes, then EOL testing is complete. Otherwise, continue to Step 9.

9. If the EOL test fails, the following screens will be displayed:



- A red color Fail status displayed indicates that the network/WiFi portion of the EOL test failed.

## Mopar Web – End Of Line (EOL) Procedure (continued)

For all other errors or for further assistance,  
contact the Autonet Mobile Customer Care Center at

**1 -855-756-6727**

and provide the Customer Care Agent with  
the error code that is displayed on the screen.

**CHECK ALL WIRING AND  
TRIM ALL CABLE TIES.**

**REVERSE STEPS 3 THROUGH 11  
TO REINSTALL ALL BODY PANELS  
AND COMPONENTS.**

**AFTER FINAL ASSEMBLY,  
CLEAR ALL FAULT CODES**

**27**

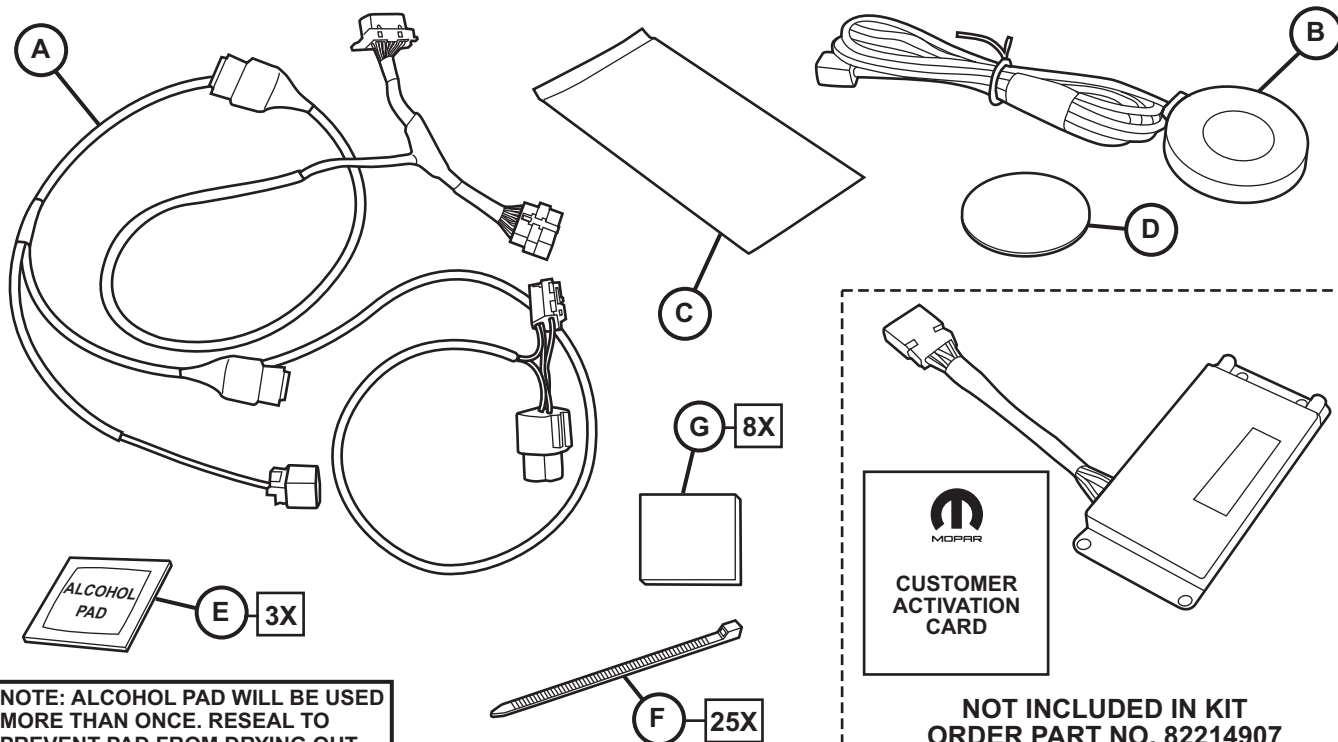
**28**

**GIVE ACTIVATION CARD TO CUSTOMER  
FOR FINAL ACTIVATION PROCEDURE.**



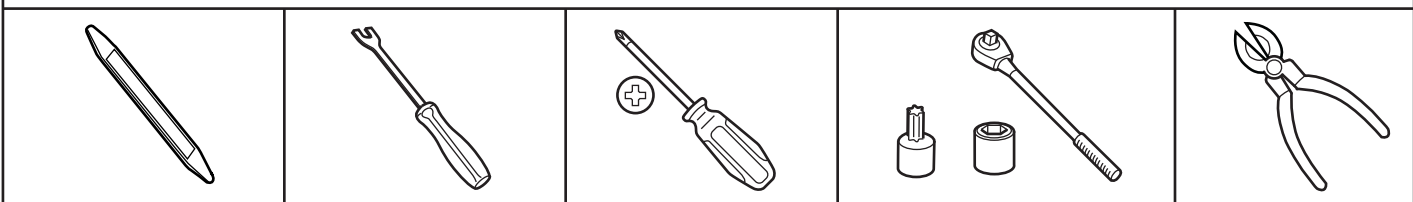
# FIAT 500X MOPAR WEB

www.mopar.com

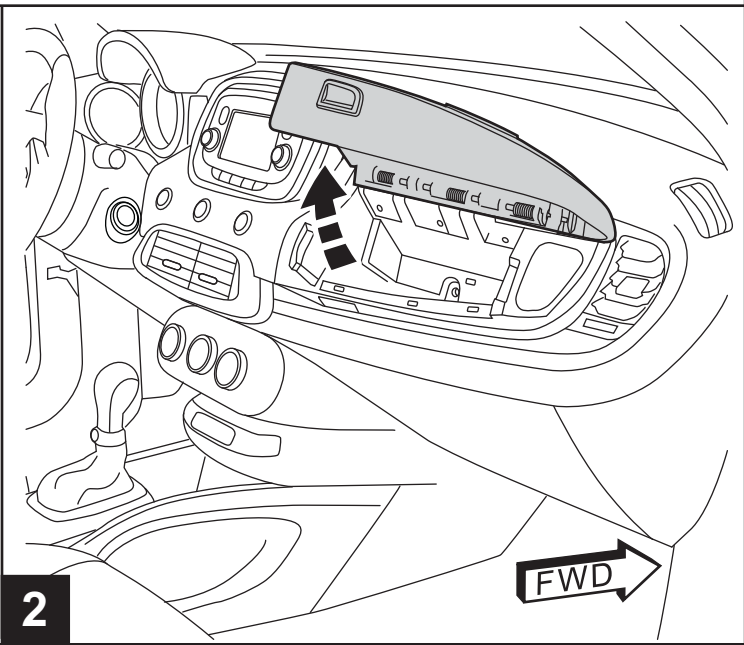
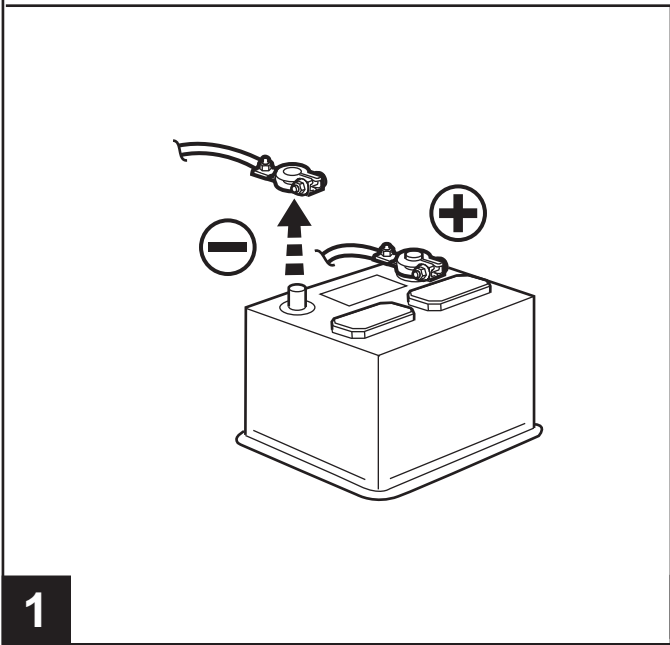


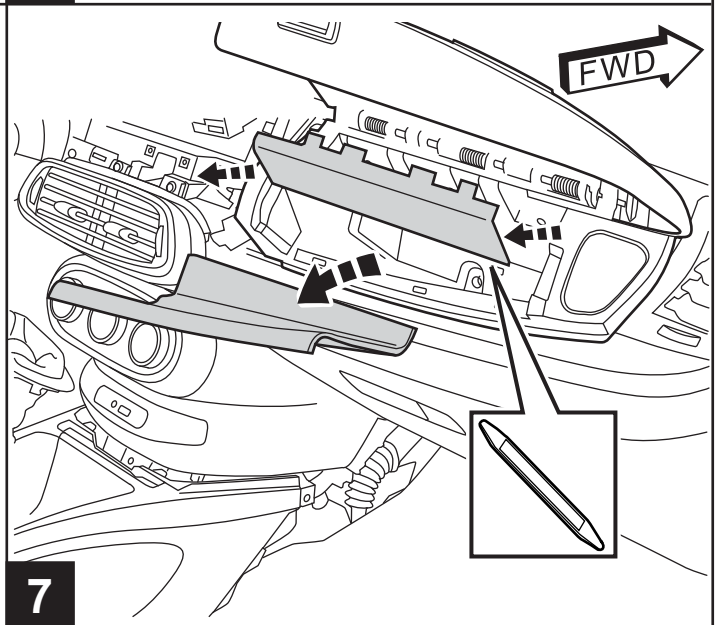
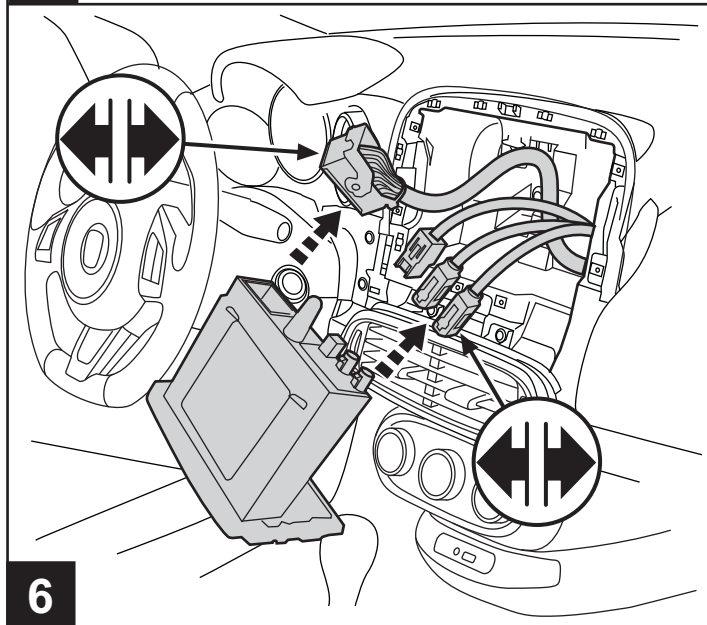
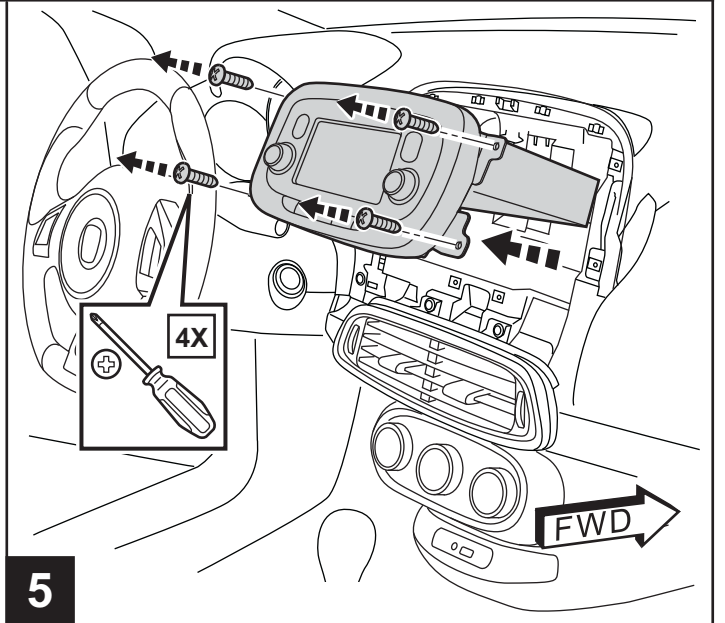
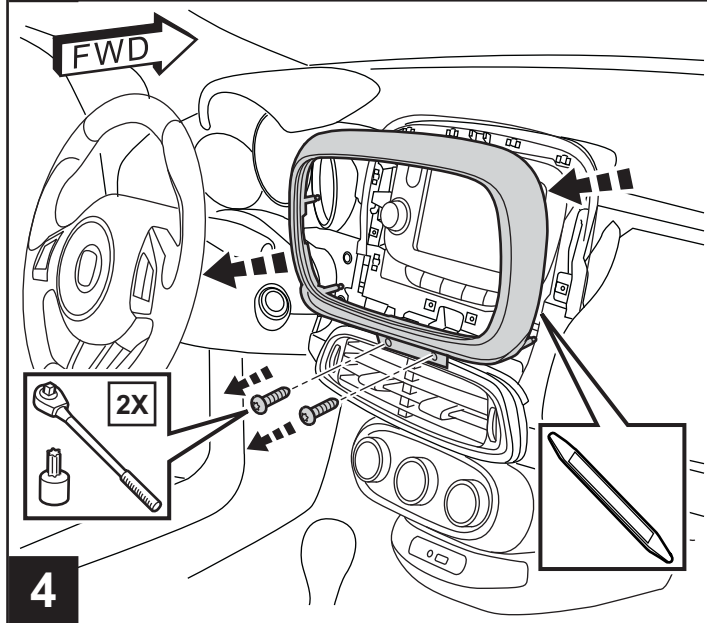
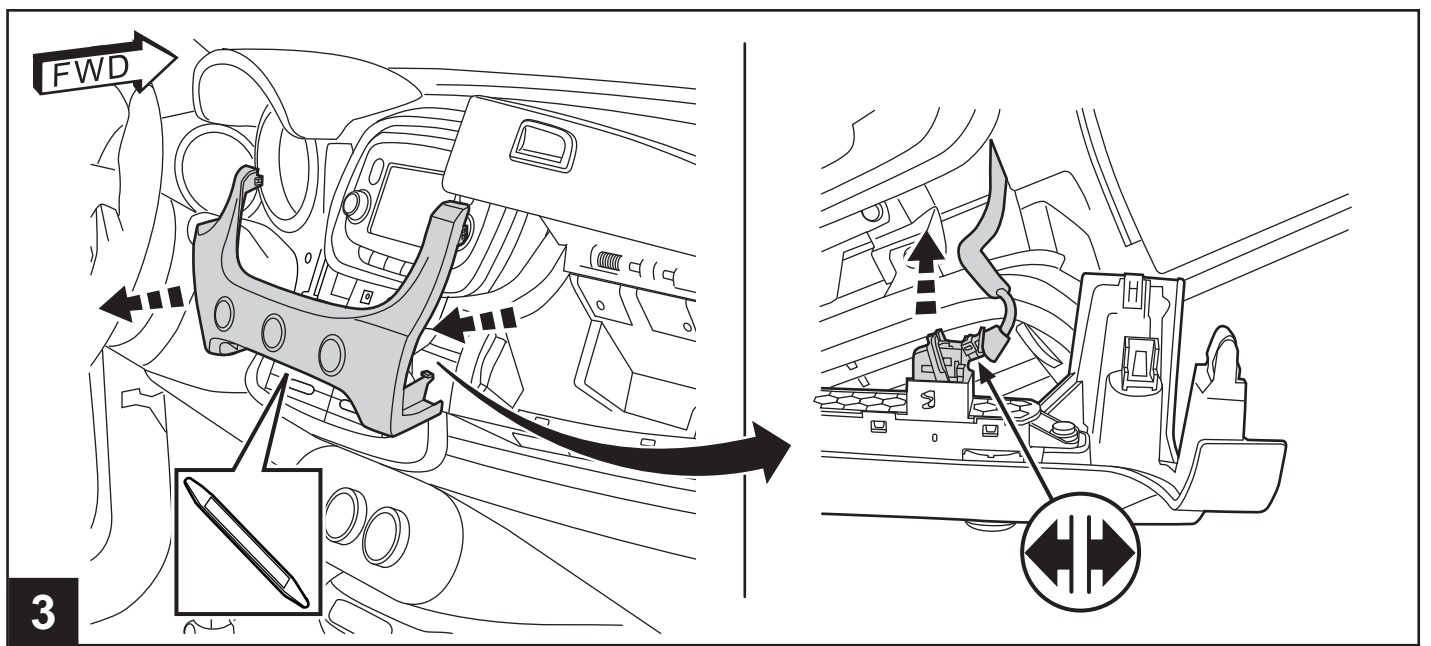
NOTE: ALCOHOL PAD WILL BE USED MORE THAN ONCE. RESEAL TO PREVENT PAD FROM DRYING OUT.

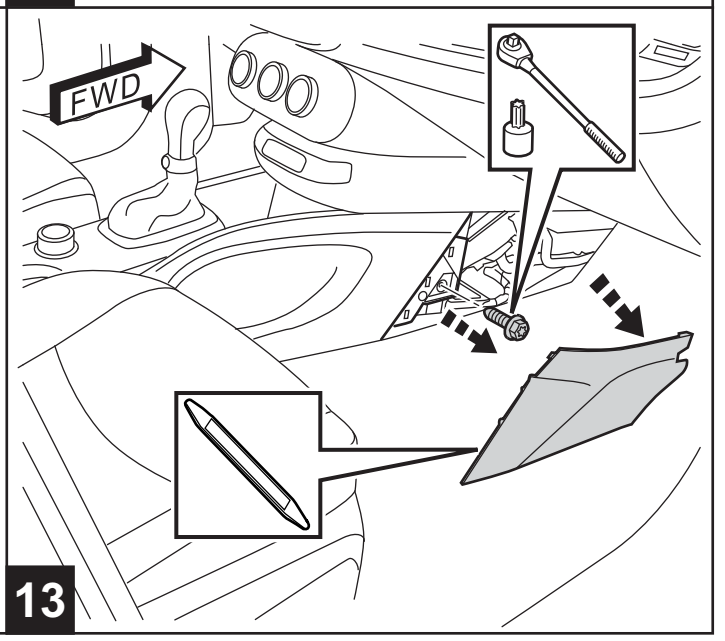
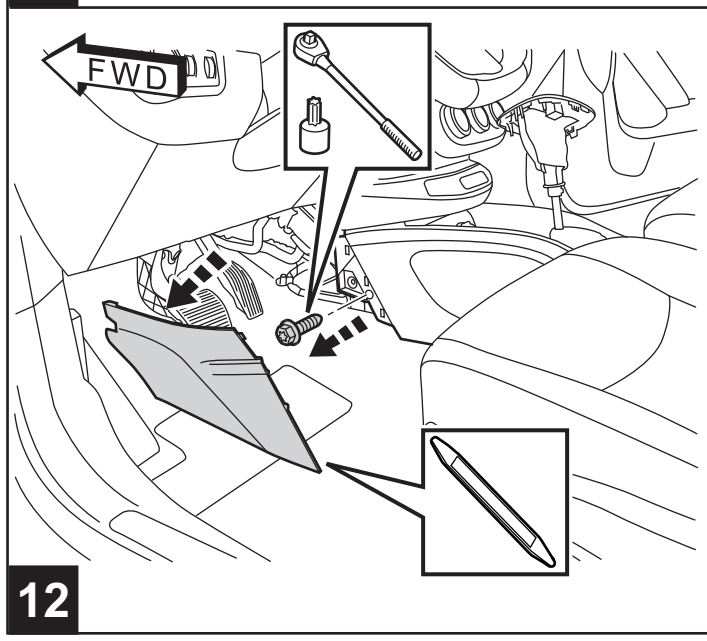
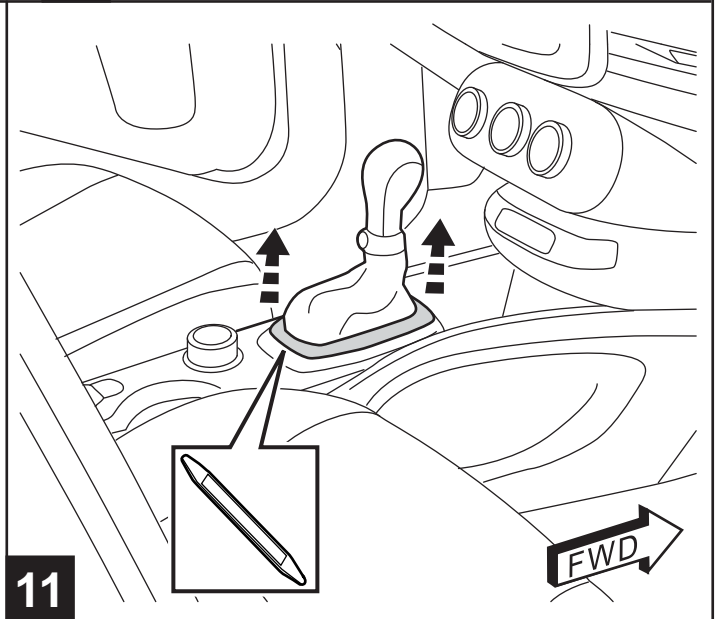
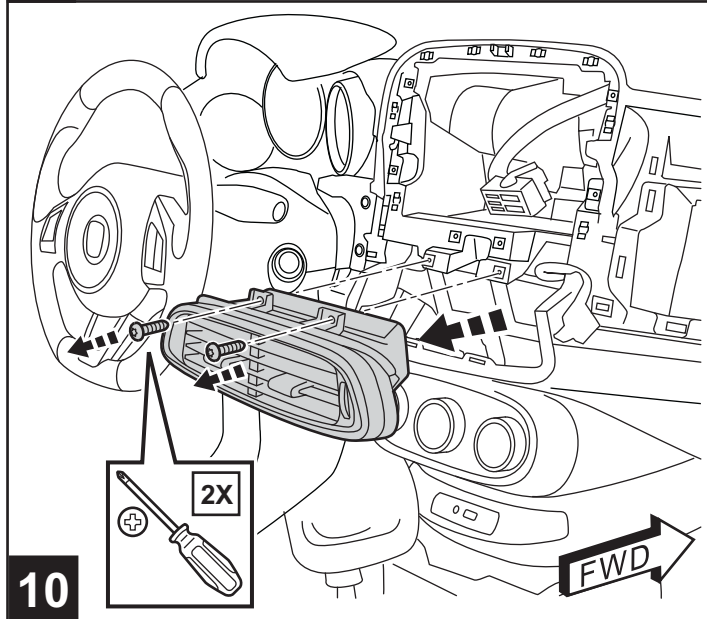
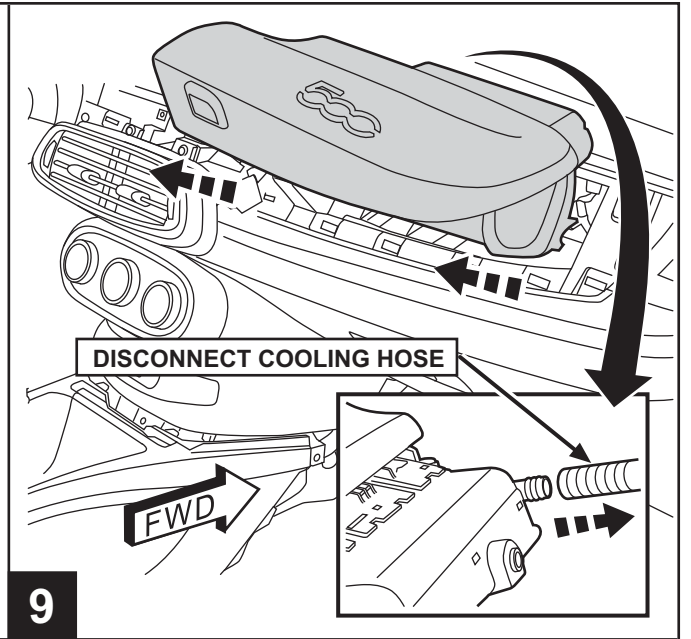
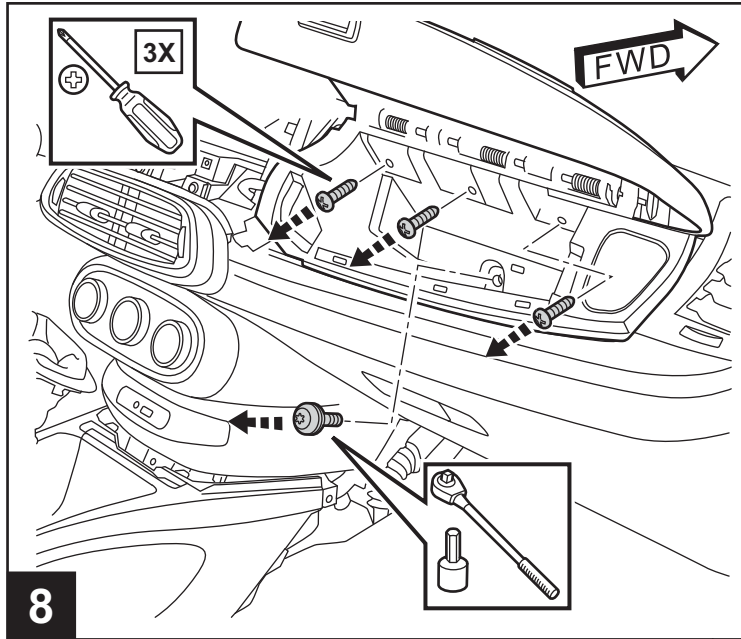
**NOT INCLUDED IN KIT**  
**ORDER PART NO. 82214907**



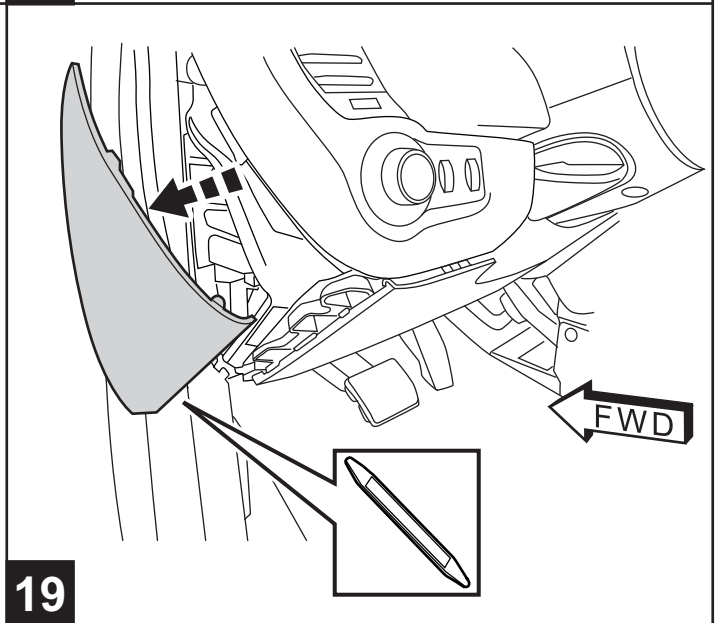
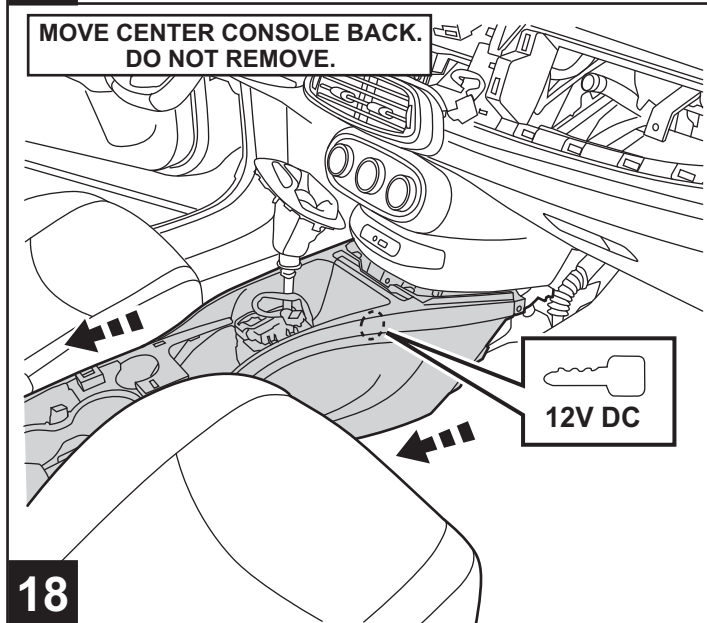
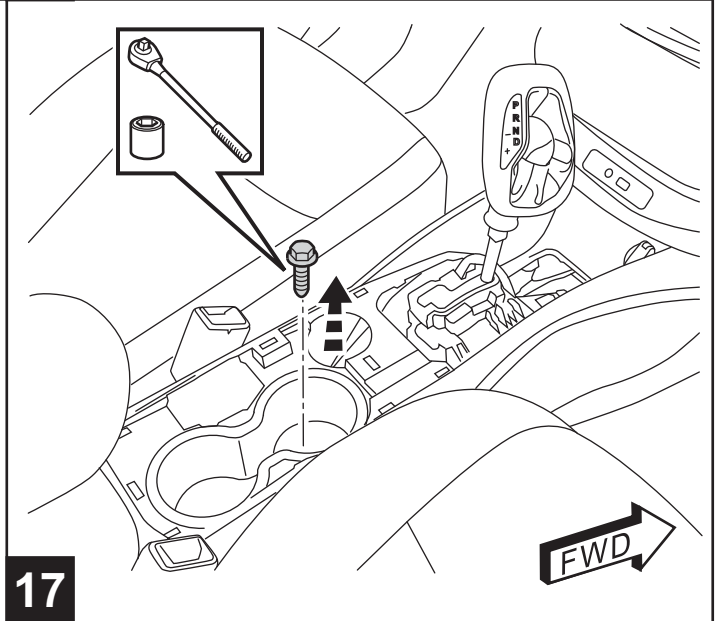
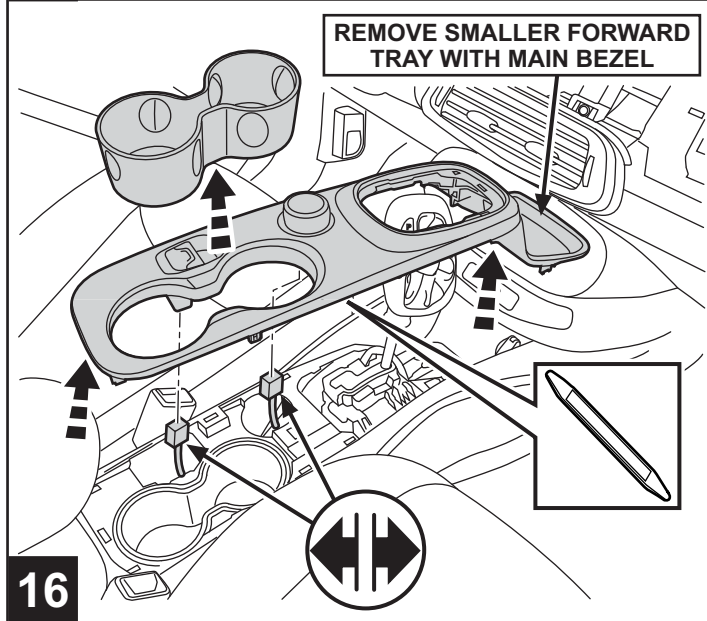
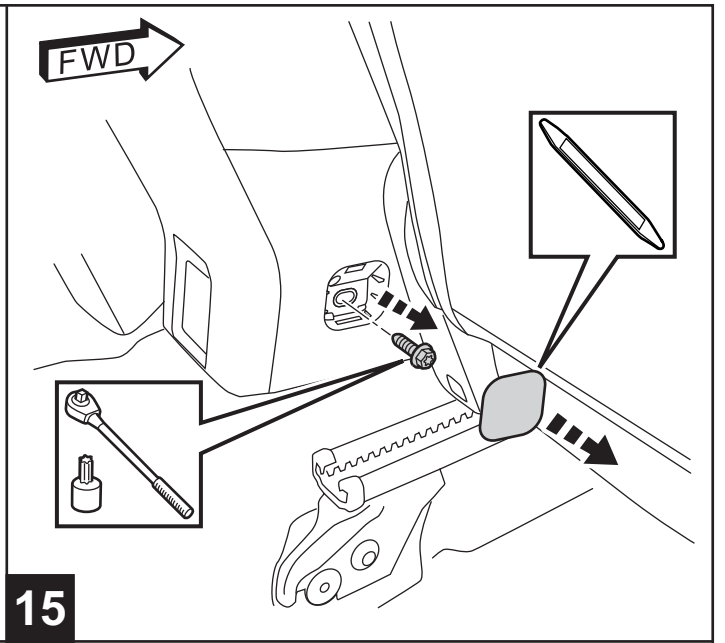
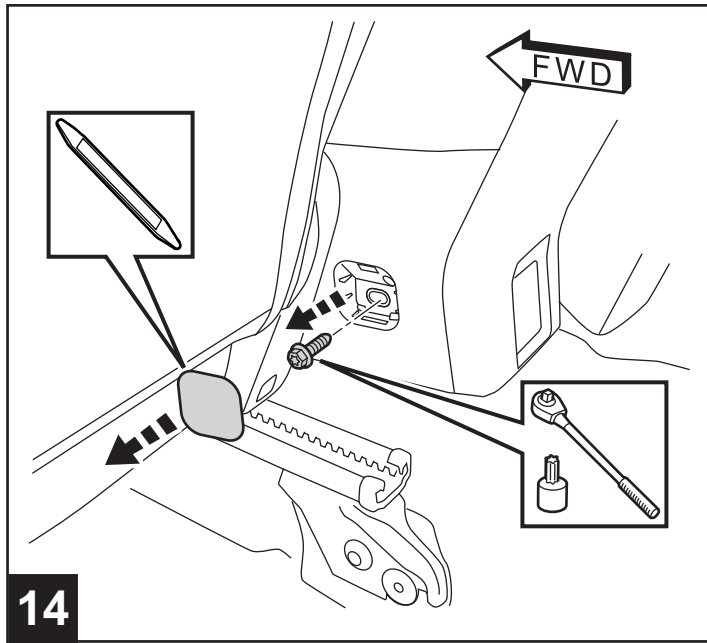
## RETAIN ALL FASTENERS FOR REINSTALLATION

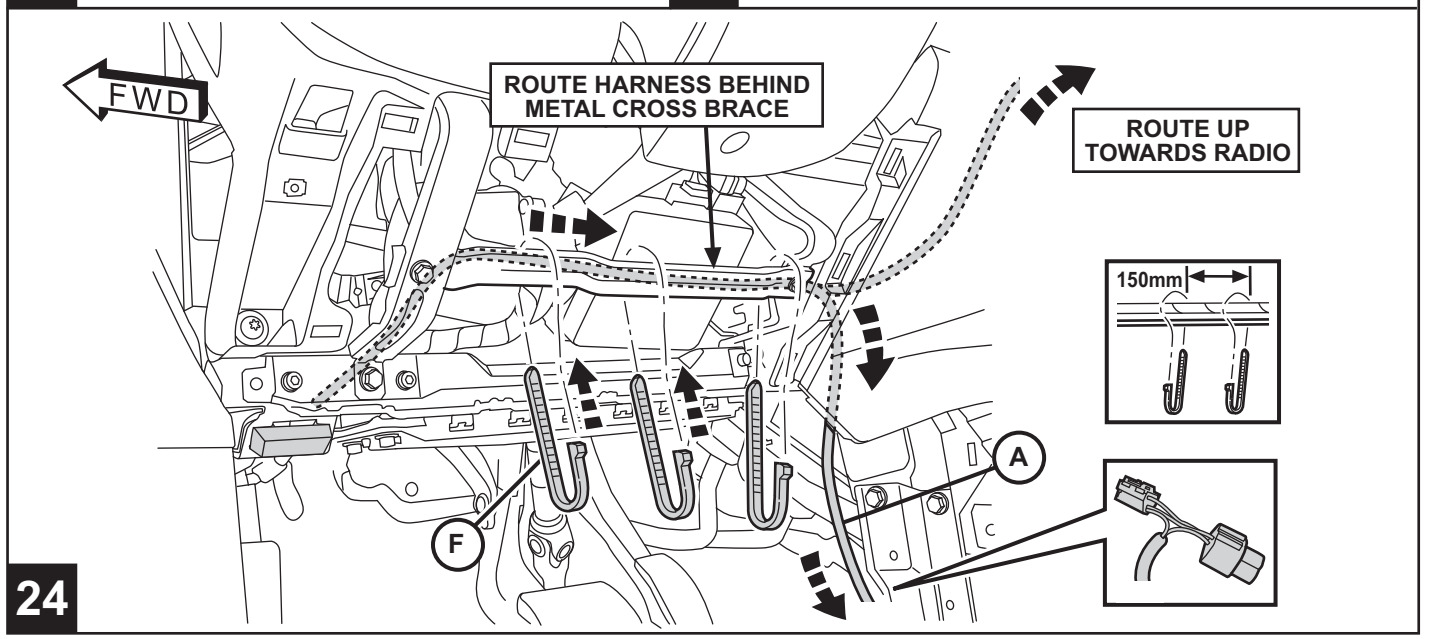
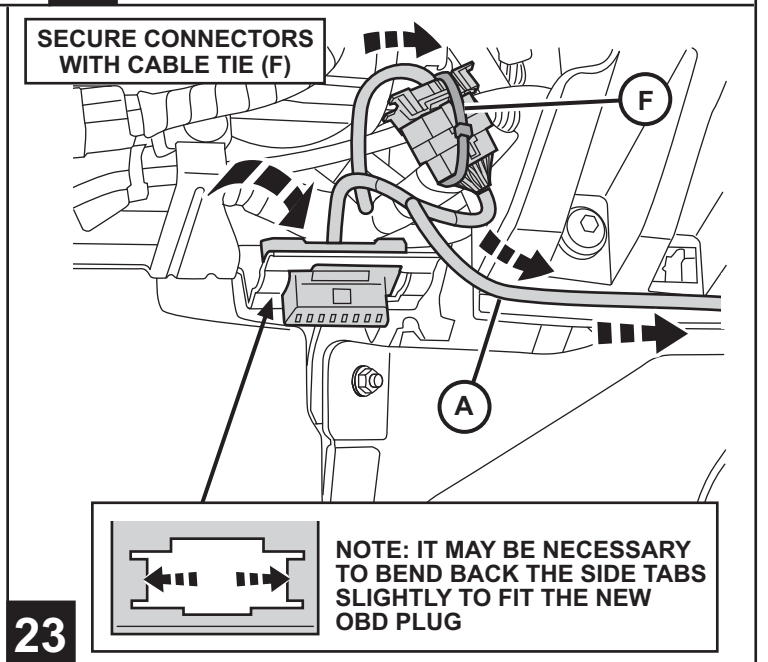
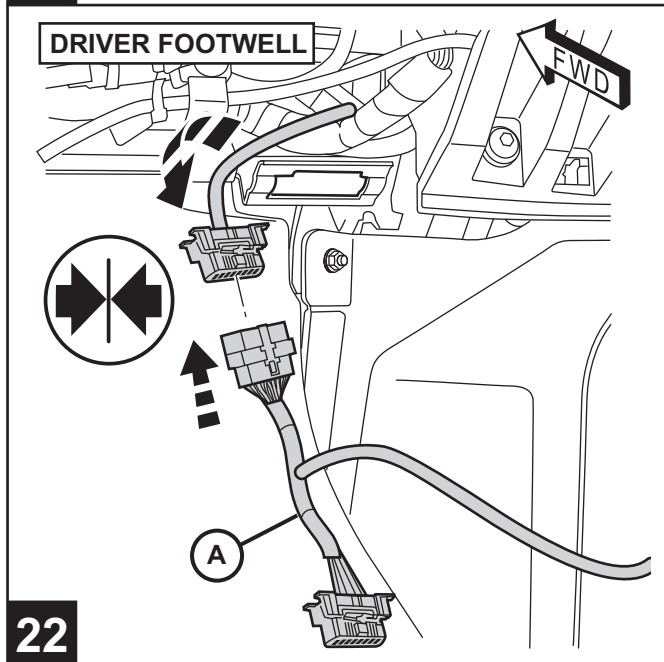
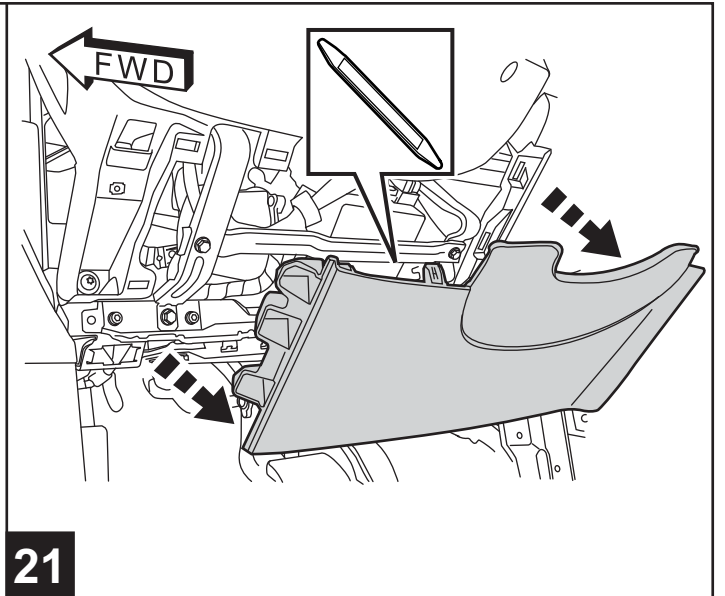
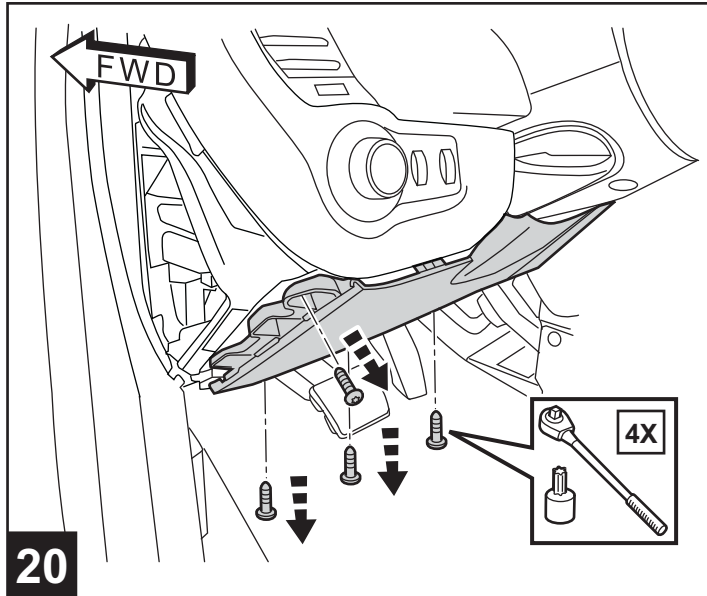


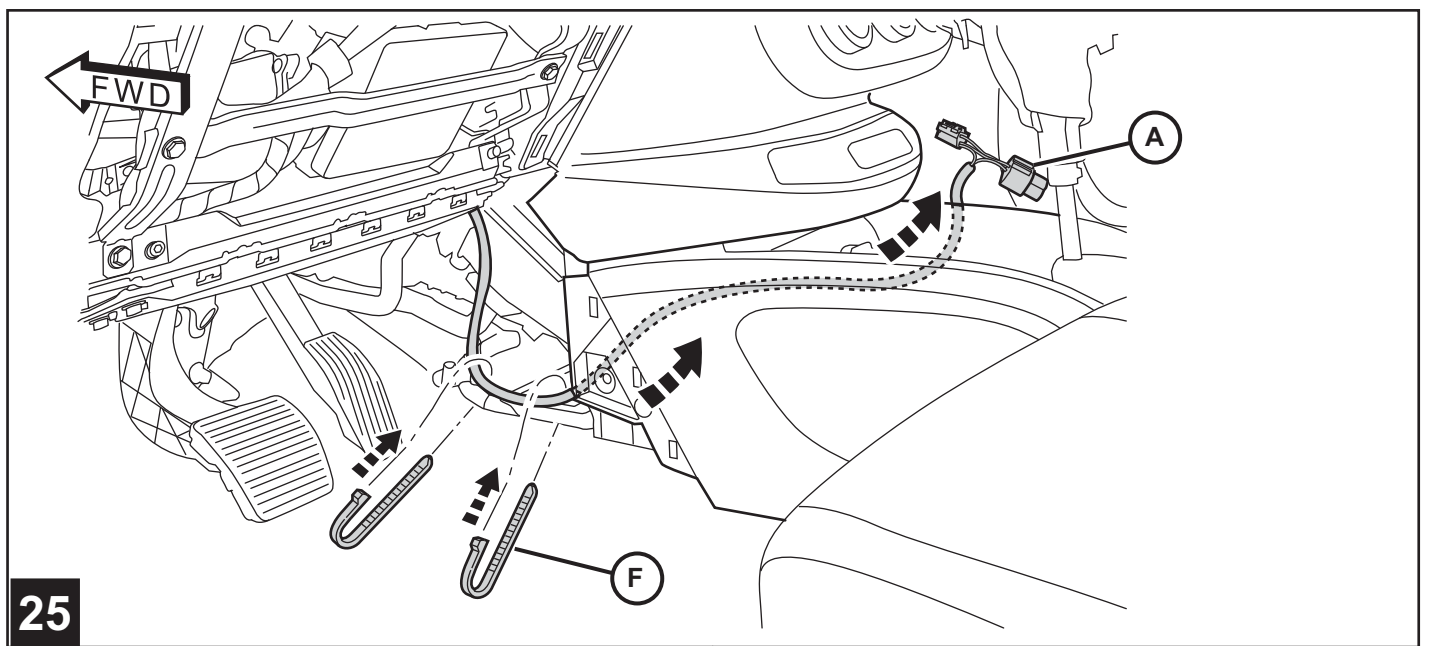




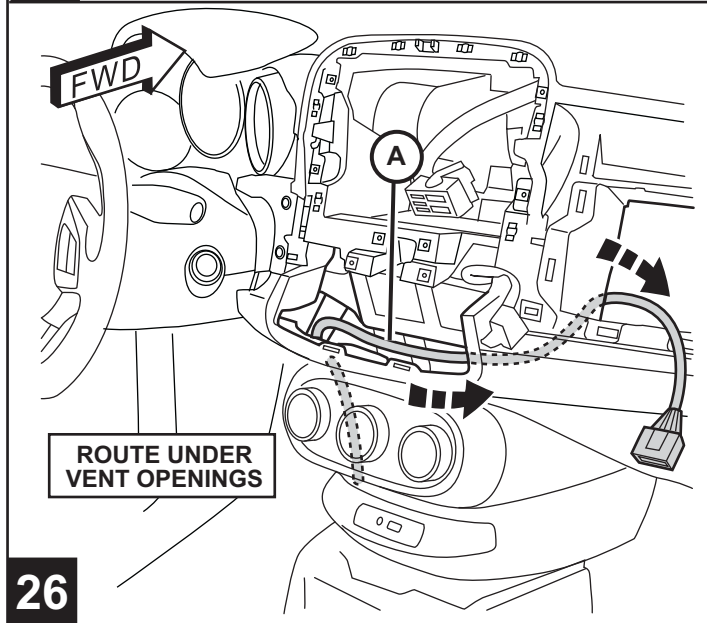




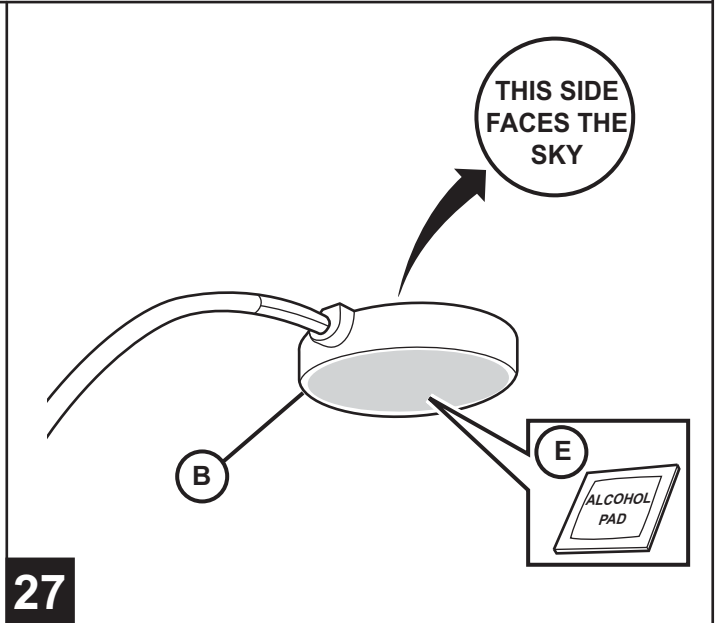




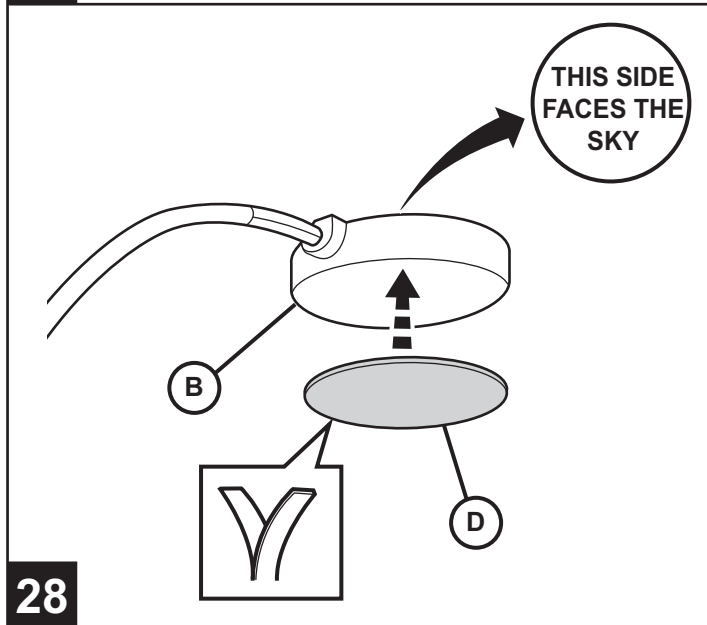
25



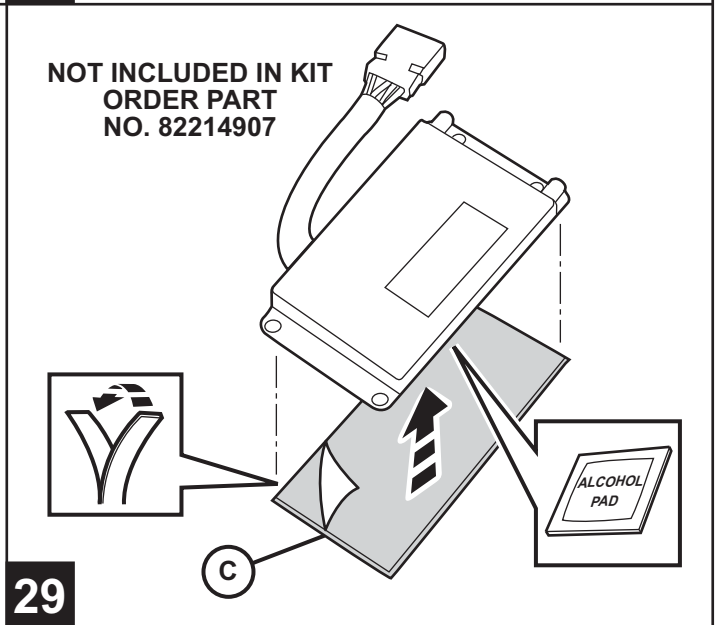
26



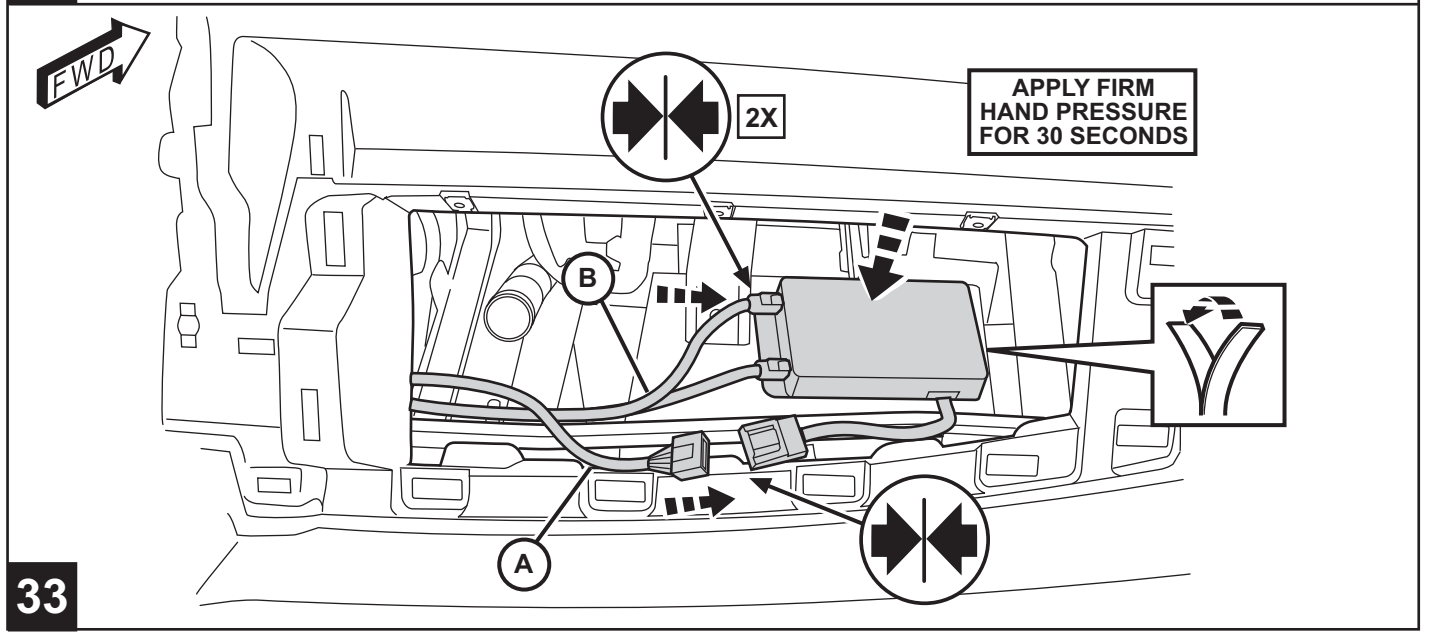
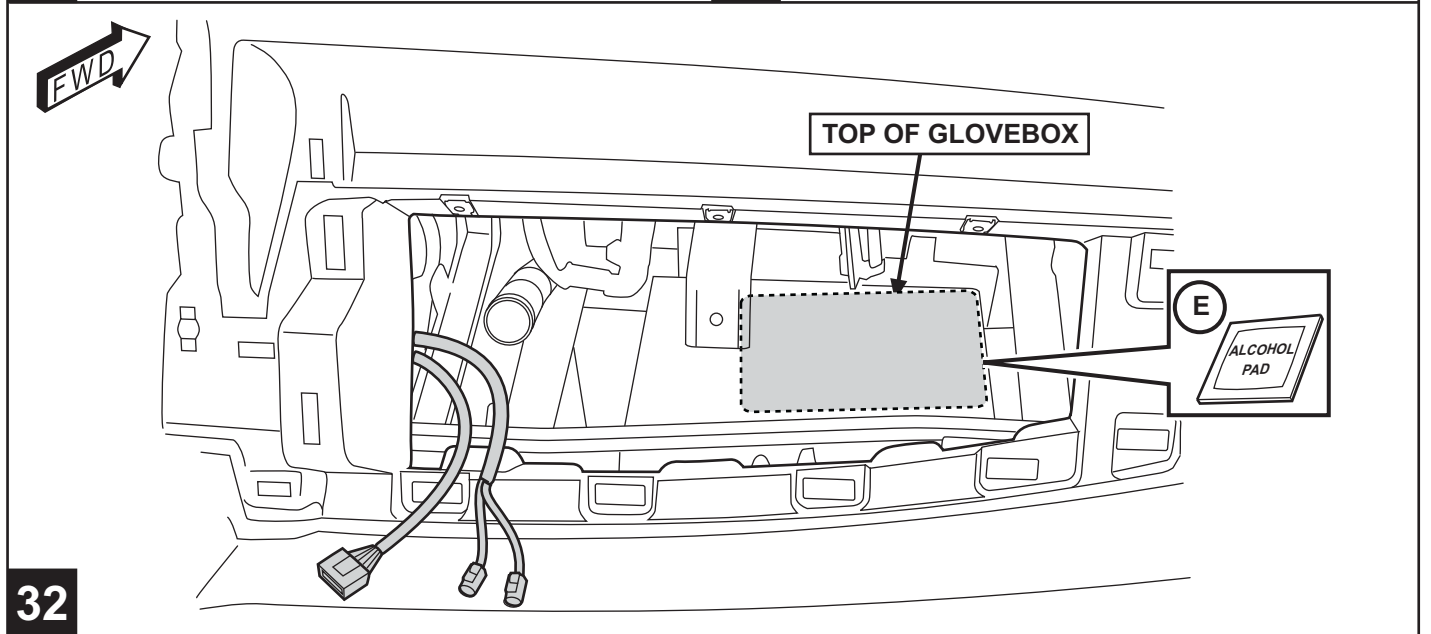
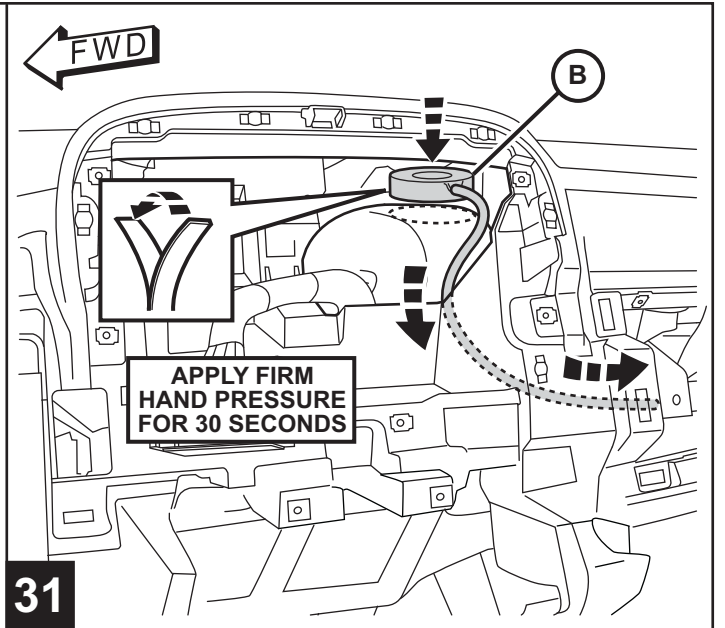
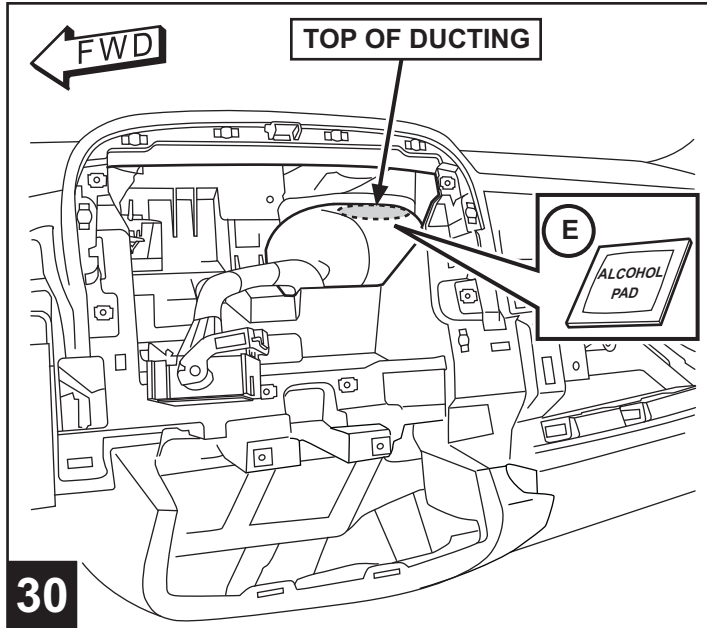
27



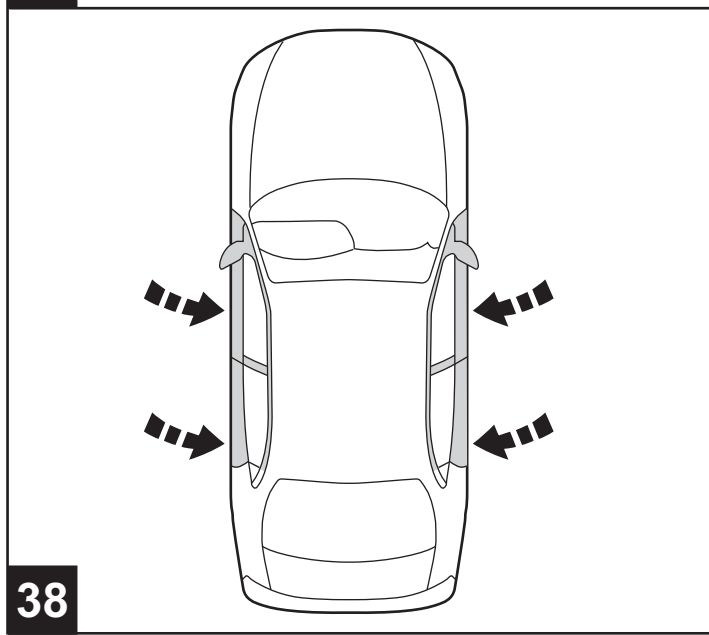
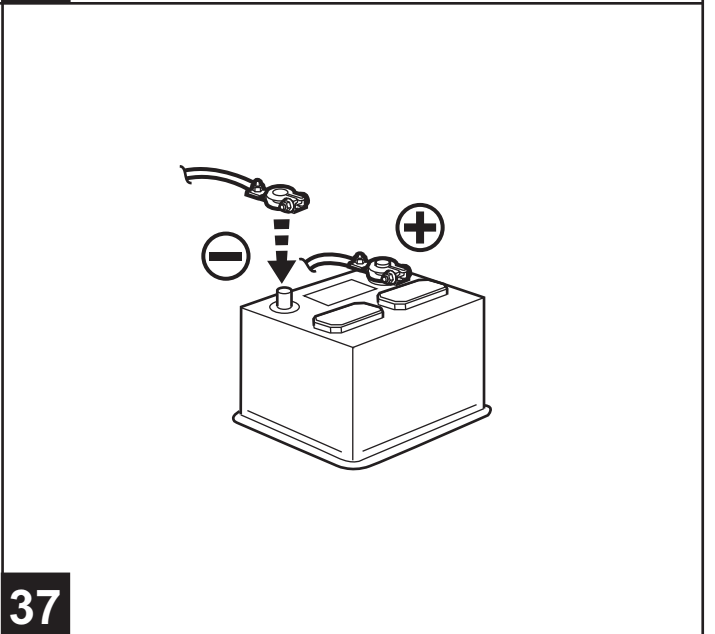
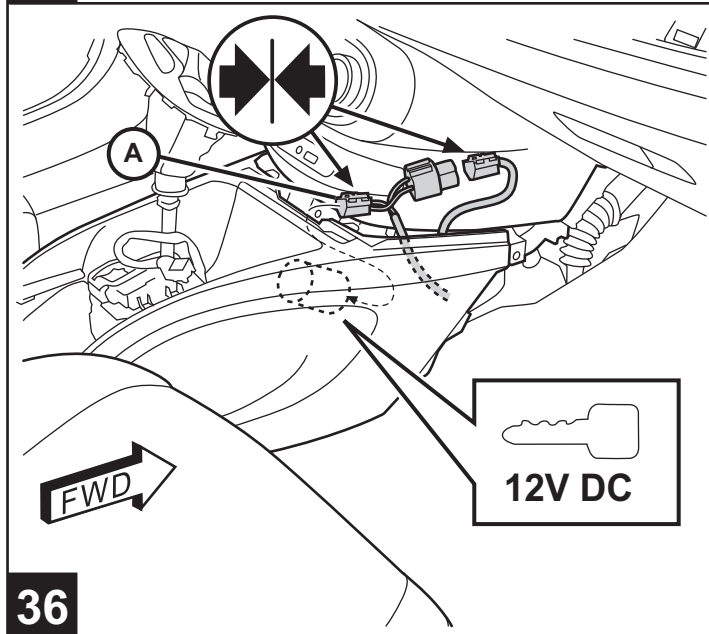
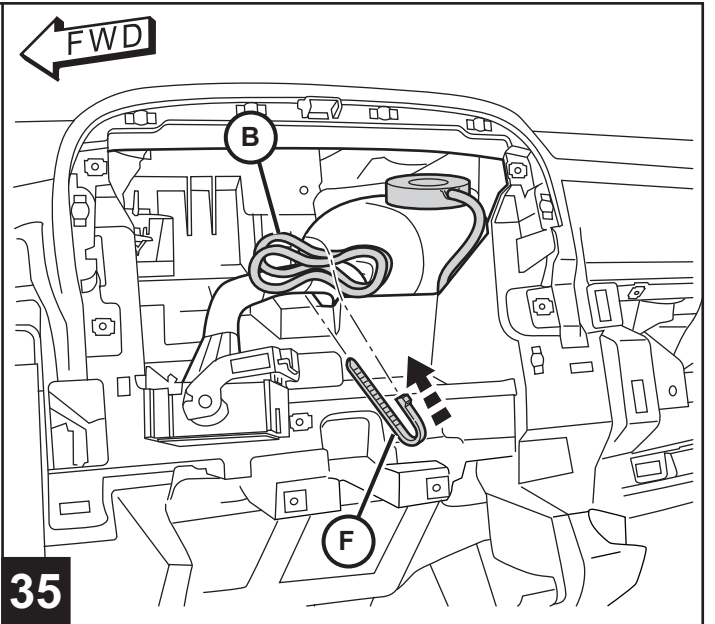
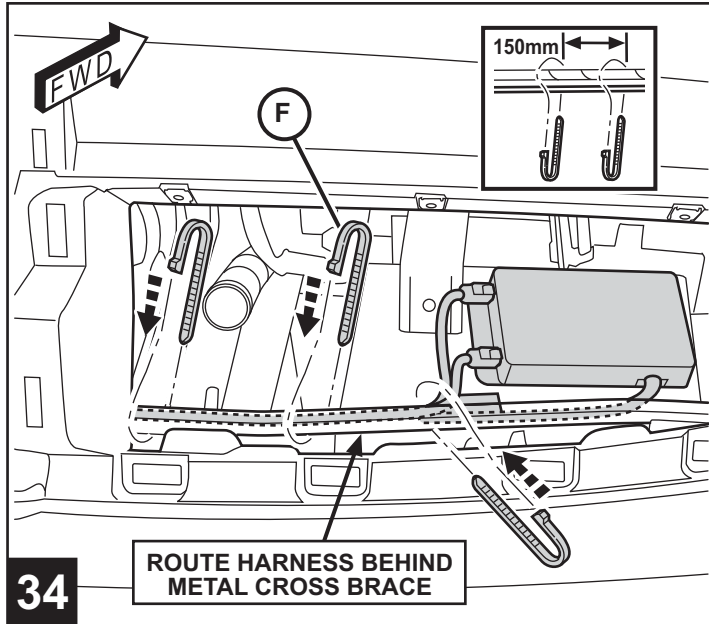
28



29







REFER TO END OF LINE (EOL)  
TEST PROCEDURE  
ON THE FOLLOWING PAGES

**39**



## Mopar Web – End Of Line (EOL) Procedure

### To be performed by the installer

The EOL procedure will verify proper function/installation of the Mopar Web Module and Installation Kit in the vehicle.

Equipment Needed To Perform This Procedure:

- Laptop or PC with internet access
- Smart phone

**NOTE: Some screens and commands may be different based on the smartphone operating system. For example, some smartphone operating systems require that you press “login” or “enter” to continue. If assistance is needed, please call Autonet Mobile Customer Care Center at 1-855-756-6727.**

**Questions regarding this procedure should be directed to  
Autonet Mobile Customer Care Center at  
1-855-756-6727**

---

### Testing the Mopar Web Module After Installation In The Vehicle

1. Open the driver’s door and turn the ignition switch to the RUN position.
2. Leave the ignition key in the RUN position for up to 3 minutes.
3. After 3 minutes have elapsed, open the wireless network list on the smart phone, laptop, or PC. Look for a Network Name (SSID) that either says “**mopar-NNNN**”(where NNNN are the last 4 digits of the Mopar Web Module’s serial number). The serial number can also be found on the Activation Card that will be given to the customer.
4. Open the web browser on the device (smartphone, laptop or PC) and go to:  
**<http://www.autonetrouter.com/eol>**

**NOTE: Some screens and commands may be different based on the smartphone operating system. For example, some smartphone operating systems require that you press “login” or “enter” to continue. If assistance is needed, please call Autonet Mobile Customer Care Center at 1-855-756-6727.**

## Mopar Web – End Of Line (EOL) Procedure (continued)

If the following screen appears after opening the browser on the device or the browser redirects you to this screen:



Do not press Login, rather, in the URL Address Bar of the browser, type  
**<http://www.autonetrouter.com/eol>** and press Enter.

**NOTE: Some screens and commands may be different based on the smartphone operating system. For example, some smartphone operating systems require that you press “login” or “enter” to continue. If assistance is needed, please call Autonet Mobile Customer Care Center at 1-855-756-6727.**

If the following screen appears while trying to access the URL above, go back to Step 1 and start over, otherwise, continue to the next Step.



## Mopar Web – End Of Line (EOL) Procedure (continued)

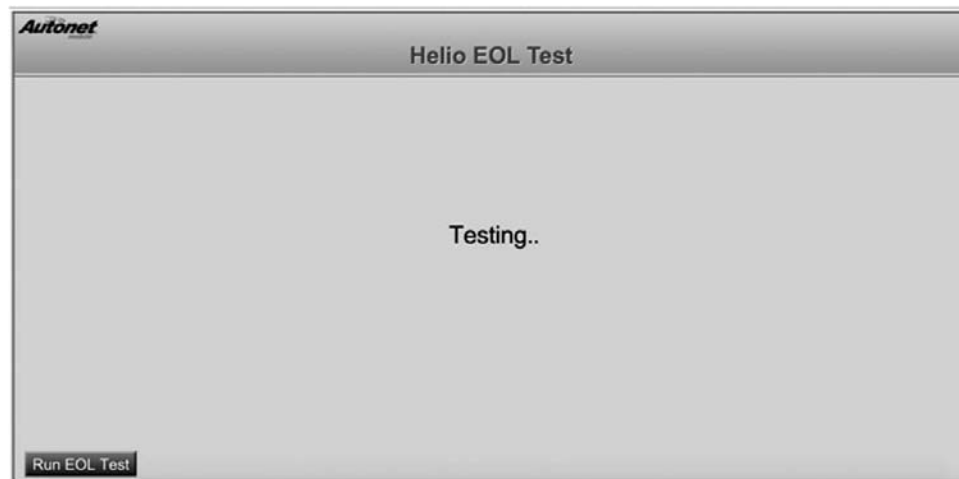
5. Successful access to <http://www.autonetrouter.com/eol> will display the following screen:



6. The EOL test verifies communication via network/WiFi as indicated by the Pass/Fail message in the center of the screen when the EOL test is executed from the browser screen.

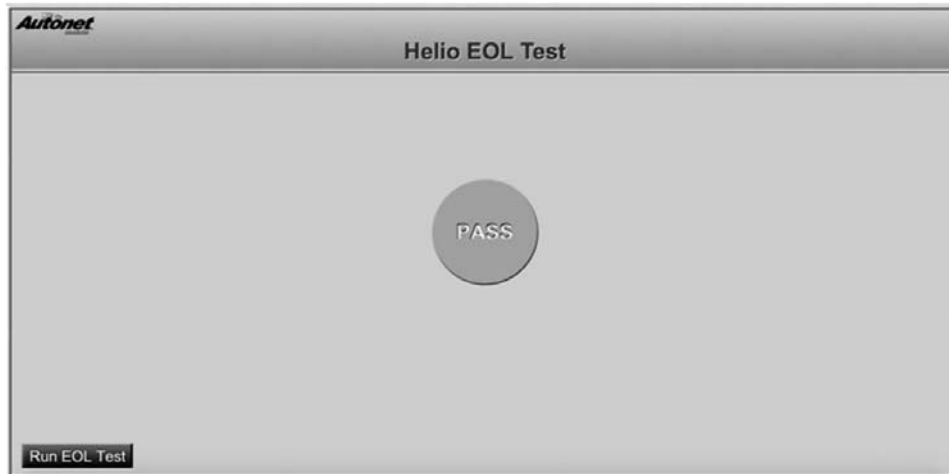
For proper function of the Mopar Connect module, the EOL test must pass.

7. Click on the button “Run EOL test” and the following will be displayed:



## Mopar Web – End Of Line (EOL) Procedure (continued)

8. If the EOL test passes, the following will be displayed:



If the EOL test passes, then EOL testing is complete. Otherwise, continue to Step 9.

9. If the EOL test fails, the following screens will be displayed:



- A red color Fail status displayed indicates that the network/WiFi portion of the EOL test failed.

## Mopar Web – End Of Line (EOL) Procedure (continued)

For all other errors or for further assistance,  
contact the Autonet Mobile Customer Care Center at

**1 -855-756-6727**

and provide the Customer Care Agent with  
the error code that is displayed on the screen.

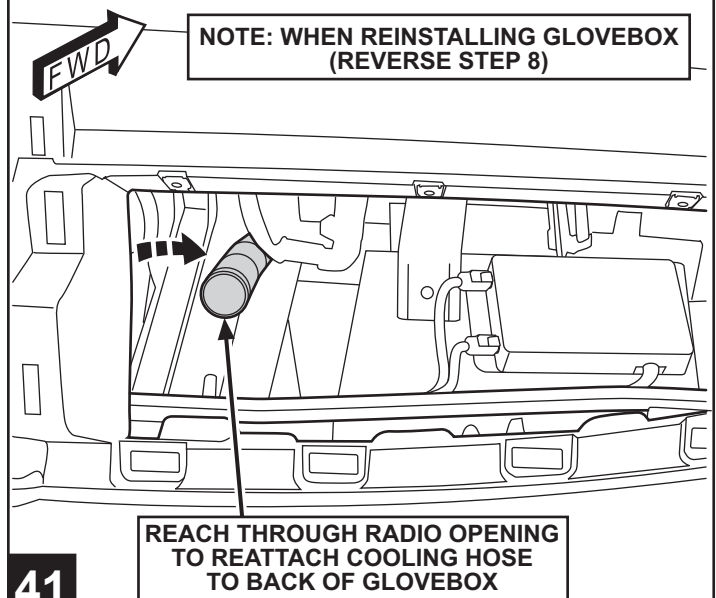
**CHECK ALL WIRING AND  
TRIM ALL CABLE TIES.**

**REVERSE STEPS 2 THROUGH 21  
TO REINSTALL ALL BODY PANELS  
AND COMPONENTS.**

**AFTER FINAL ASSEMBLY,  
CLEAR ALL FAULT CODES**

**40**

**41**



**GIVE ACTIVATION CARD TO CUSTOMER  
FOR FINAL ACTIVATION PROCEDURE.**

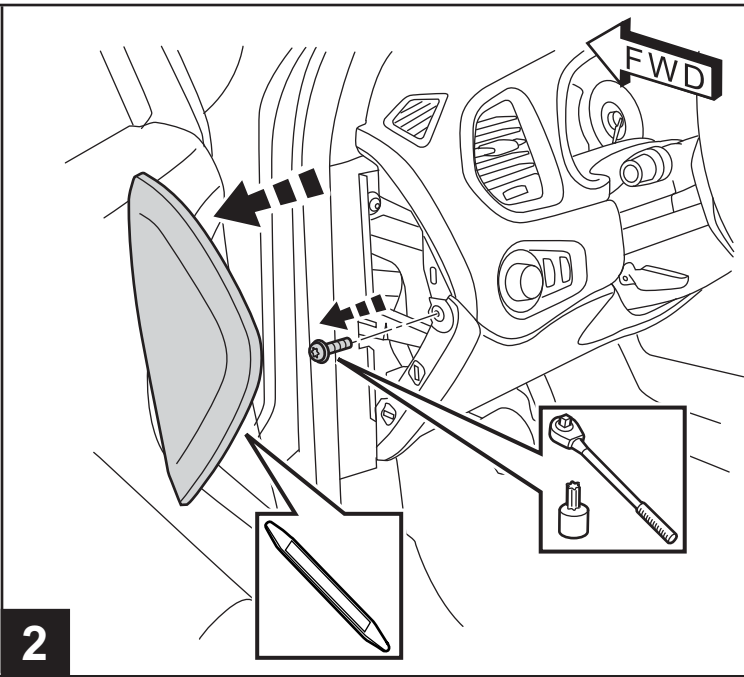
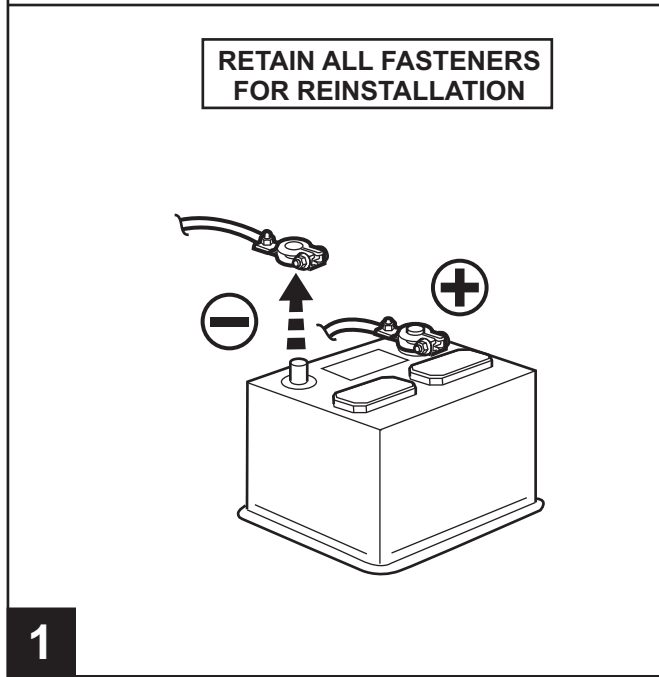
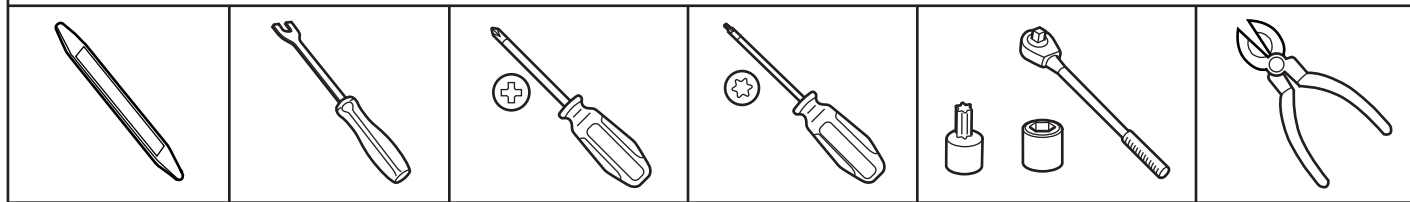
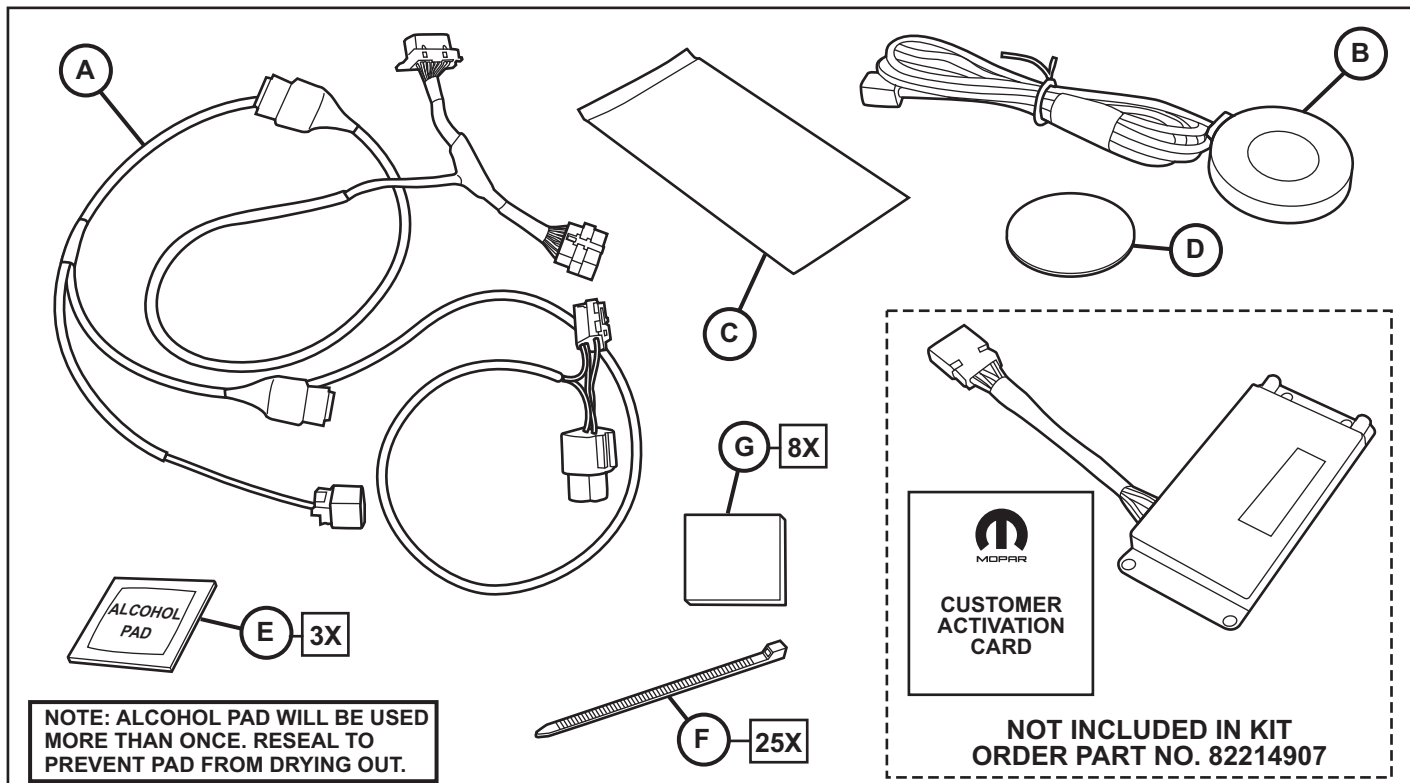
**42**

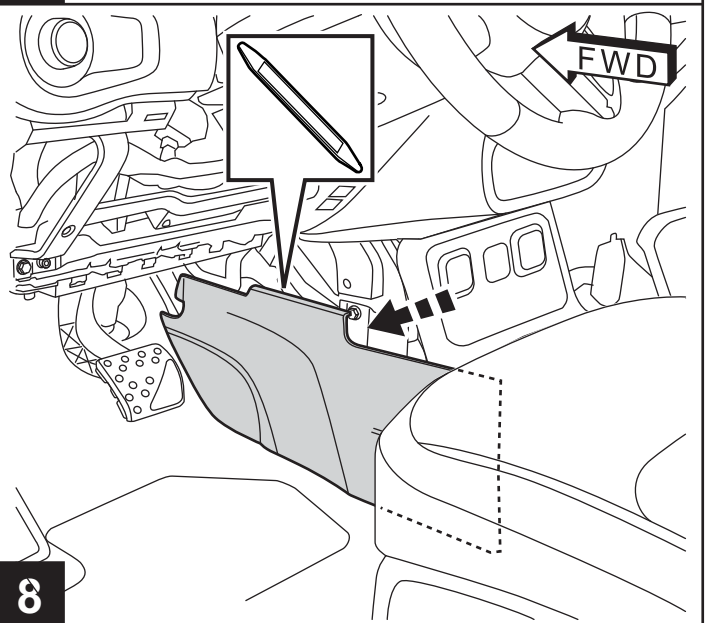
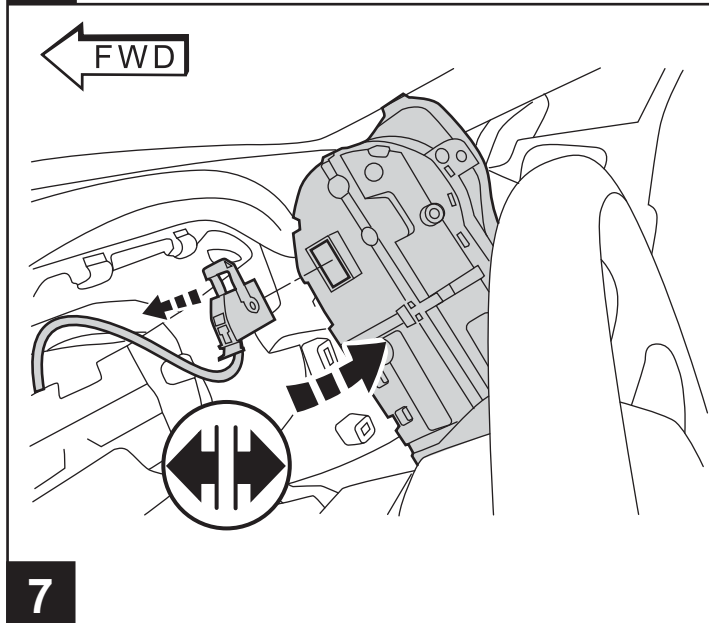
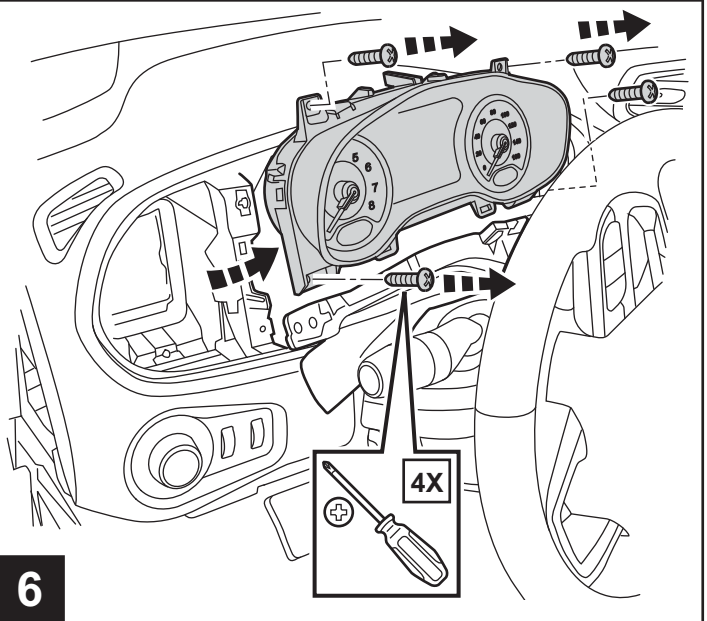
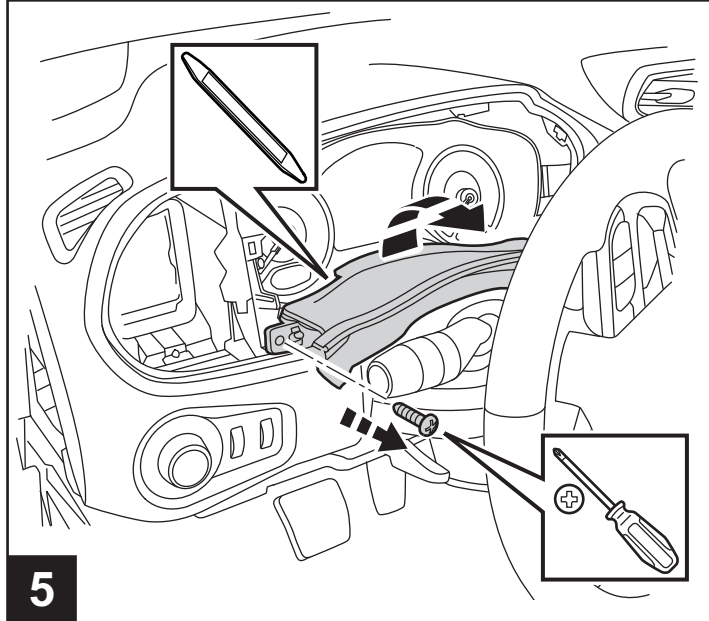
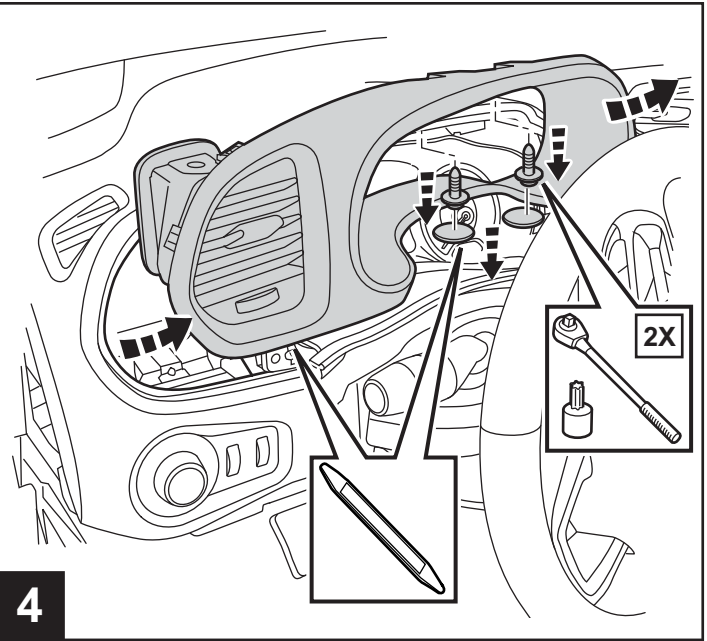
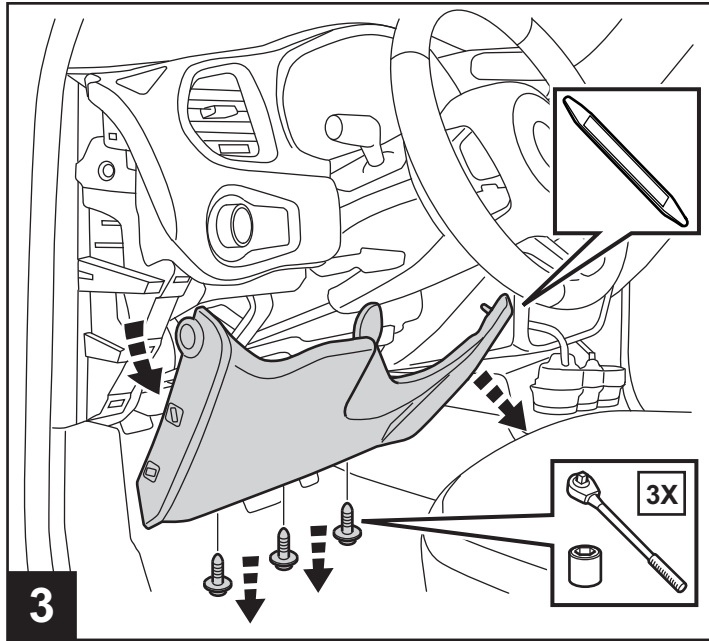


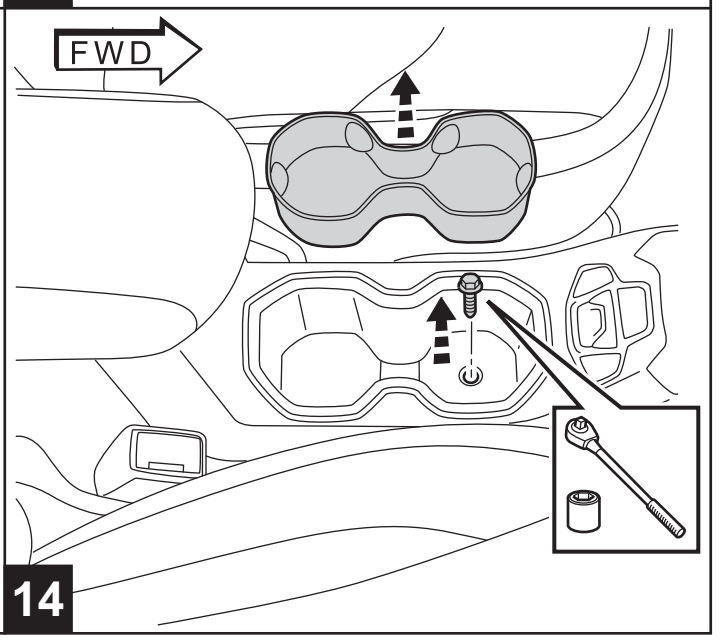
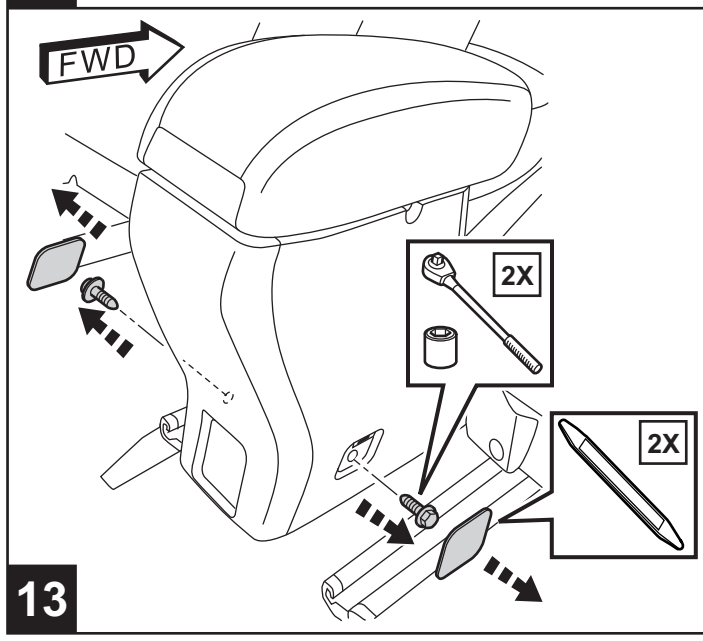
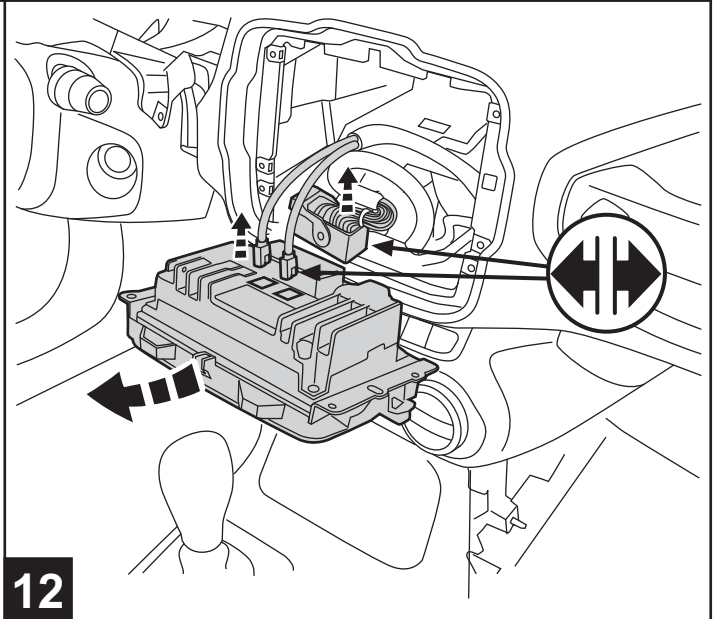
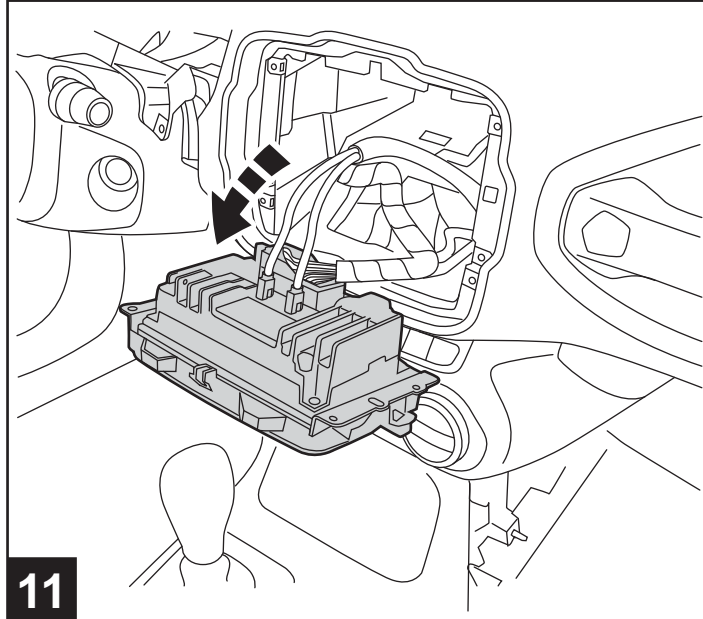
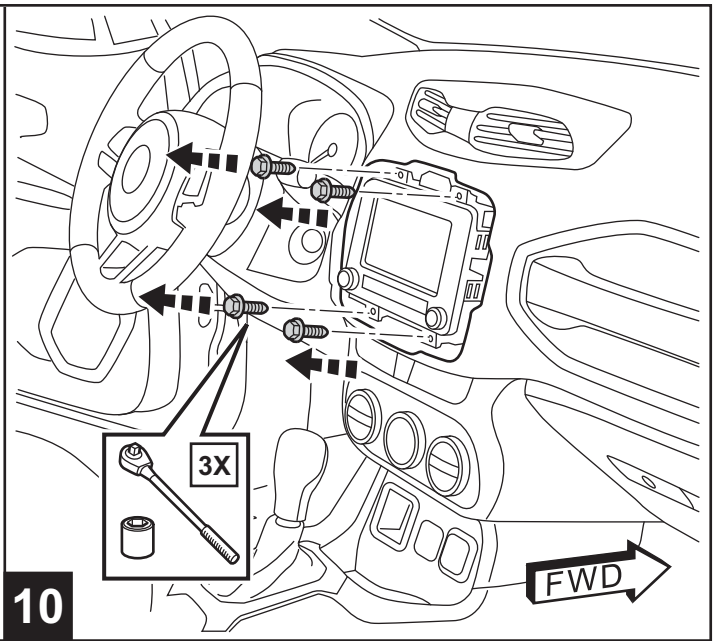
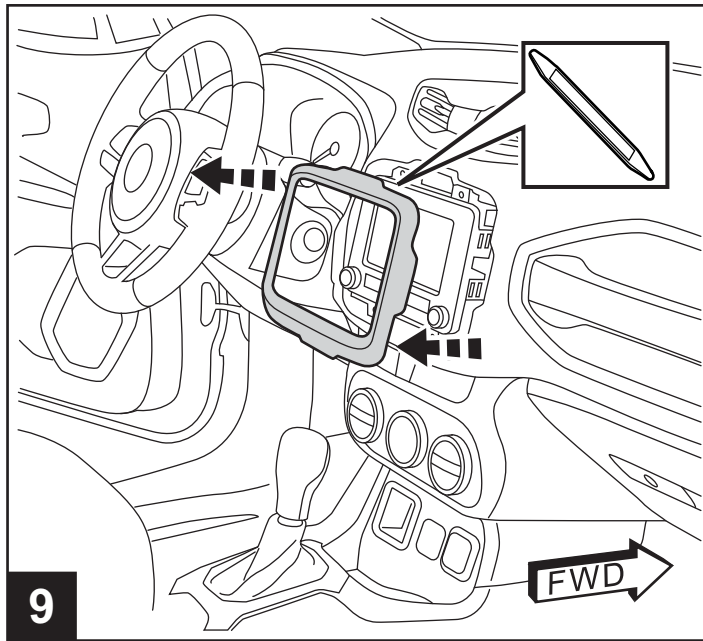


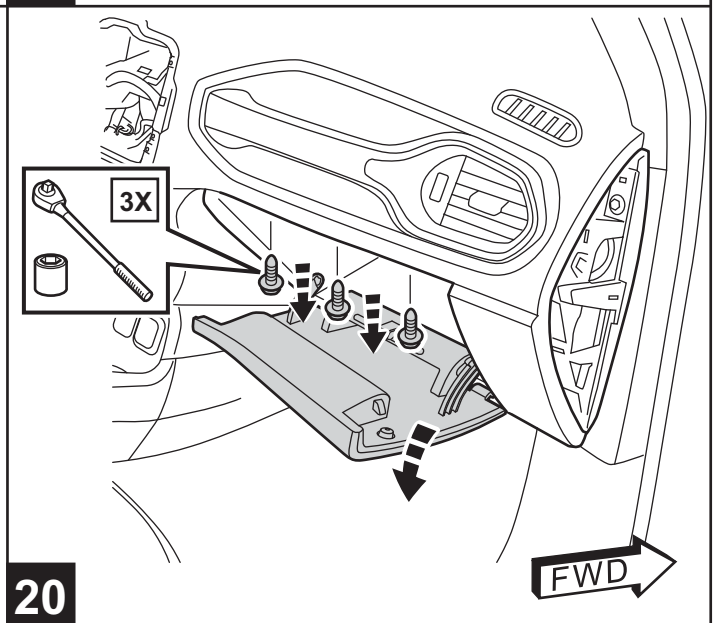
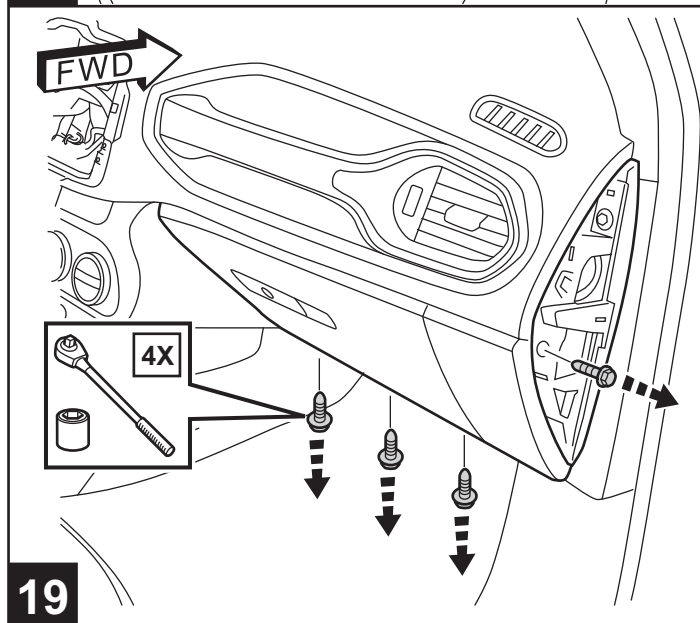
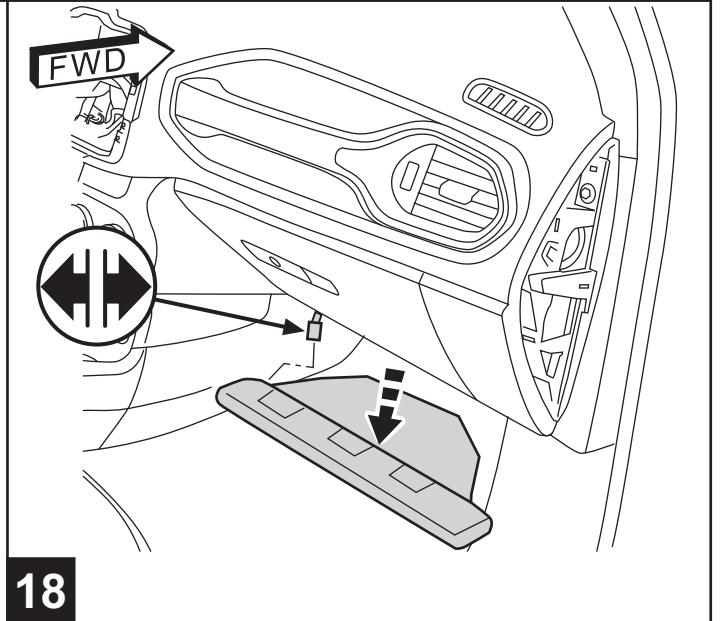
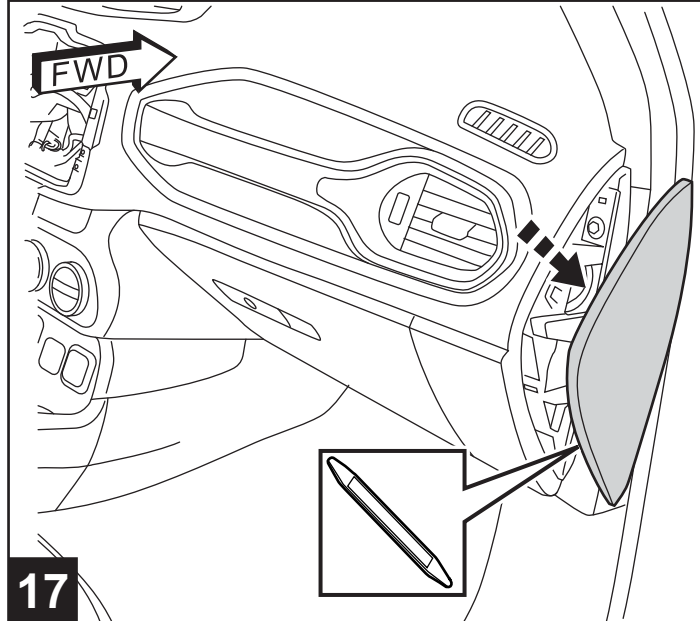
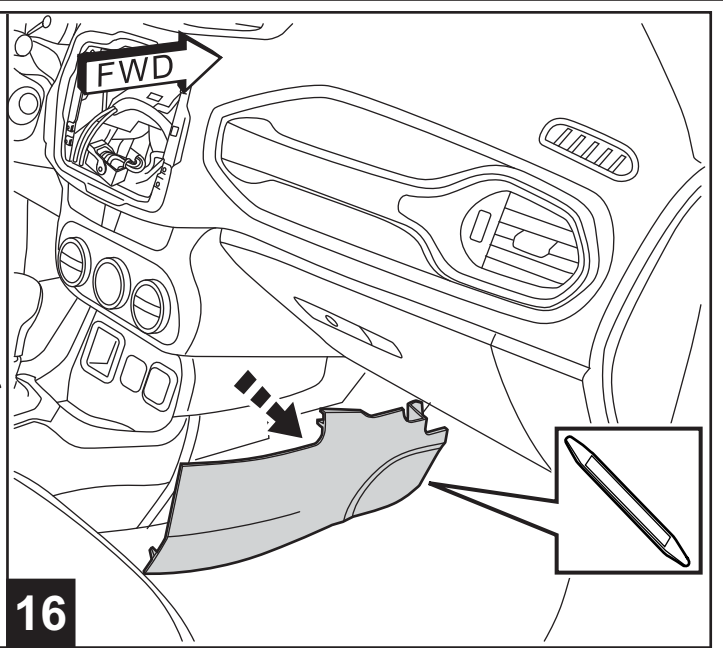
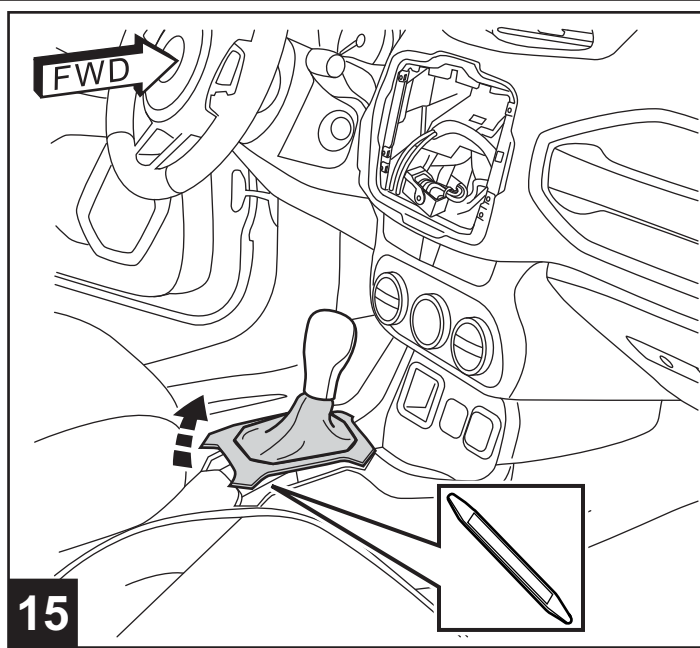
# JEEP RENEGADE MOPAR WEB

www.mopar.com

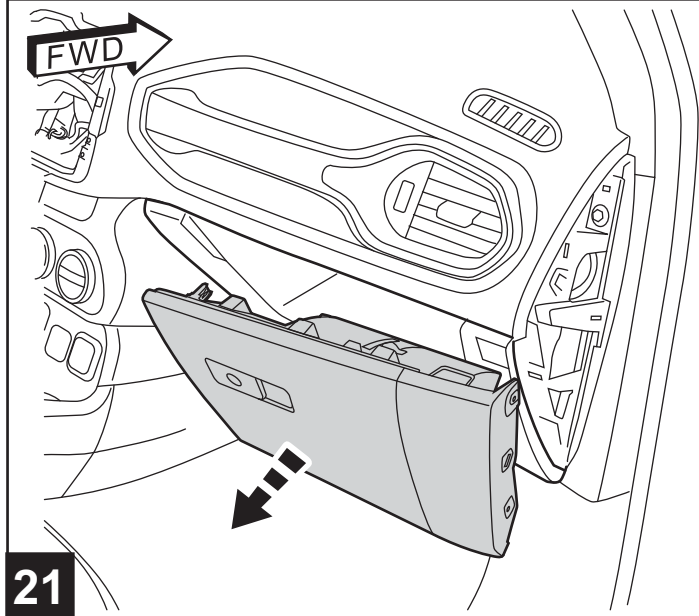




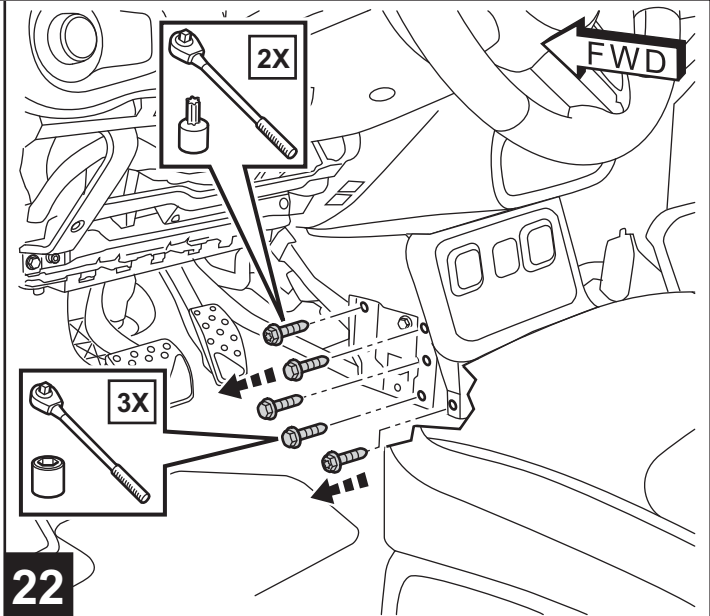




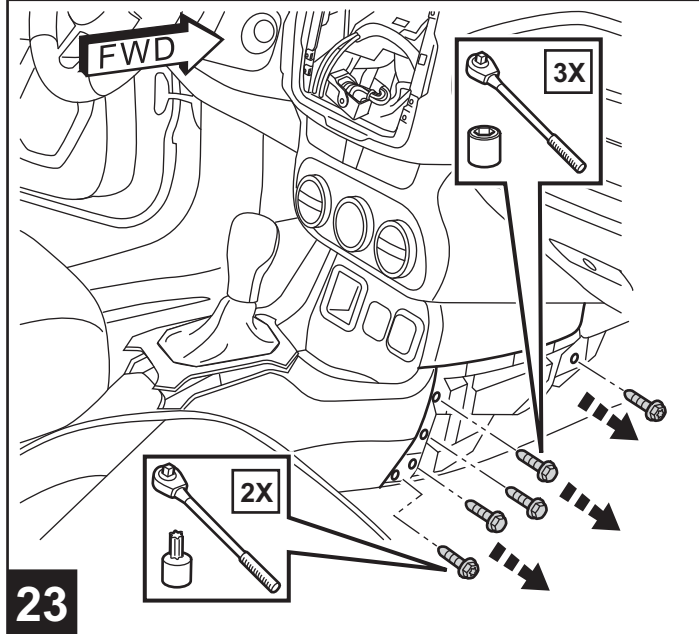




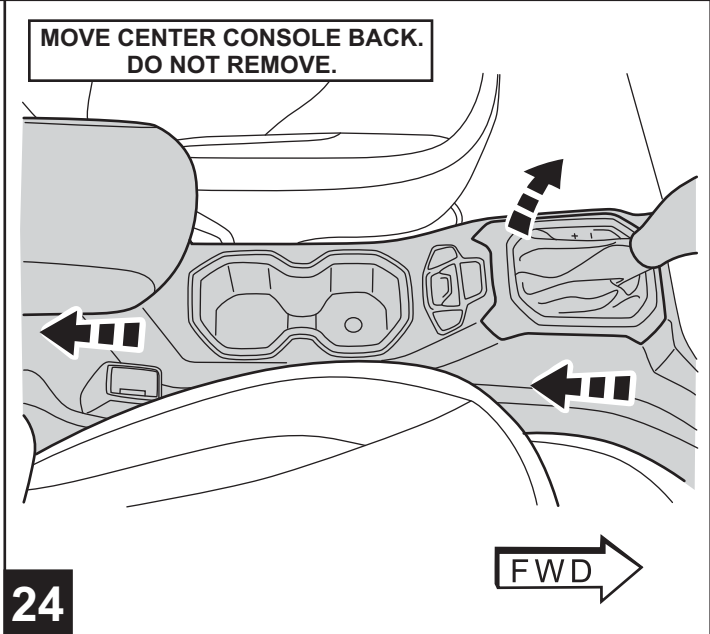
21



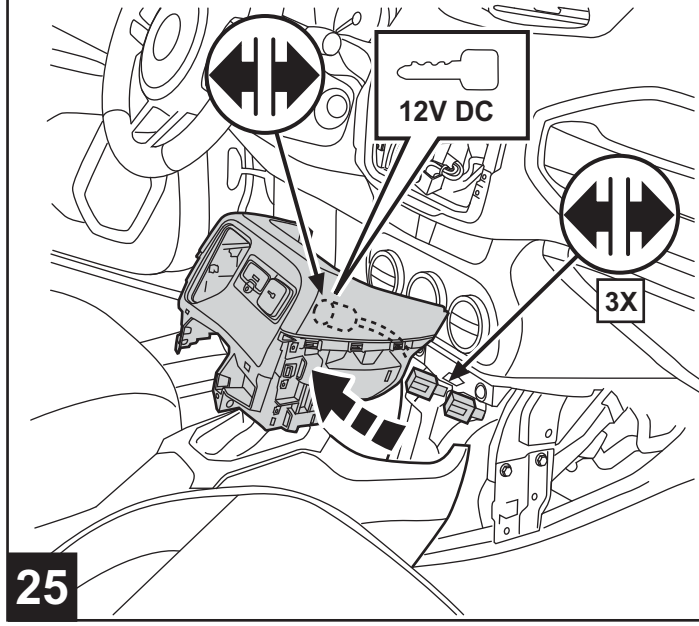
22



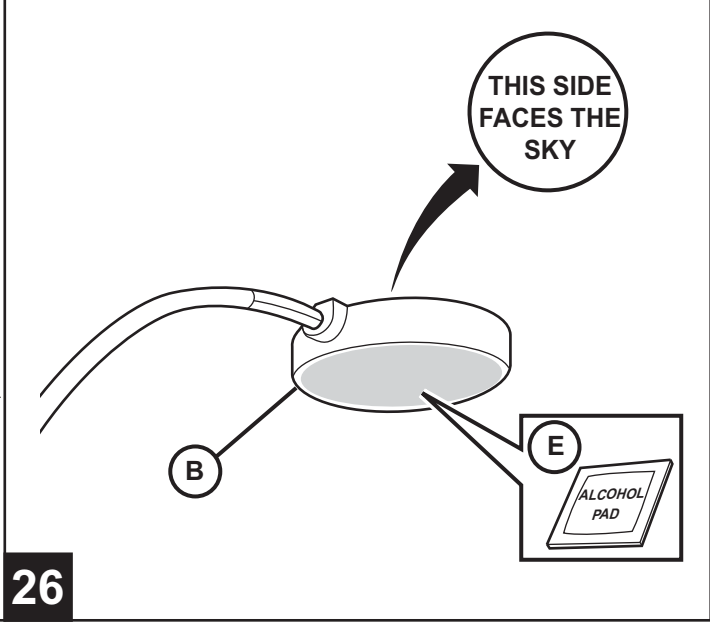
23



24

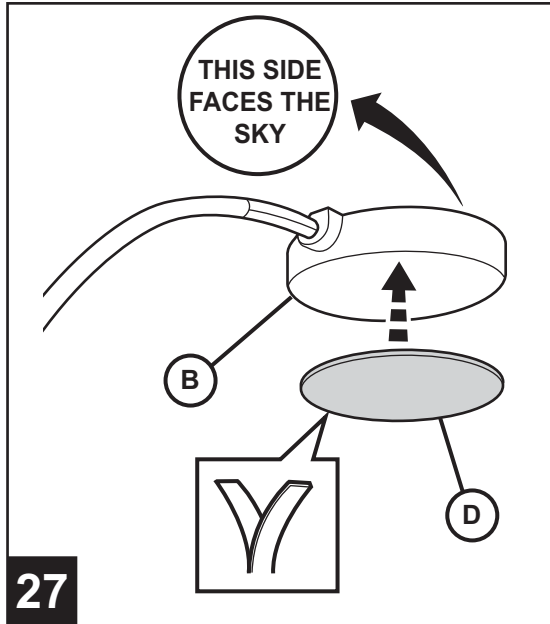


25

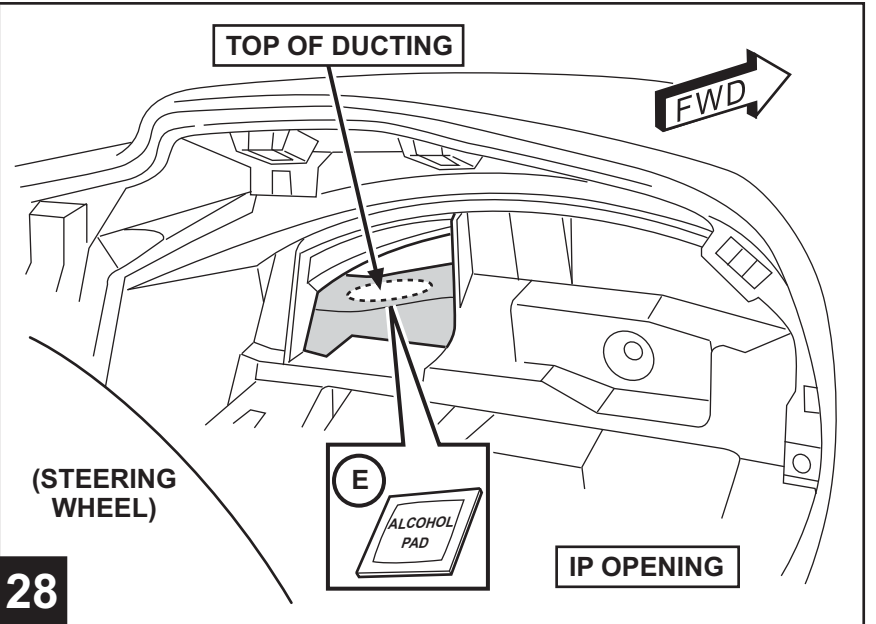


26

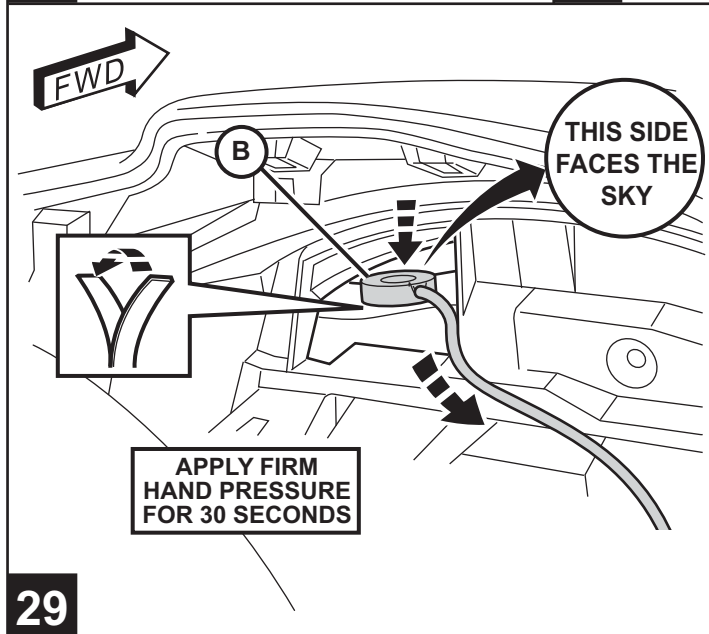




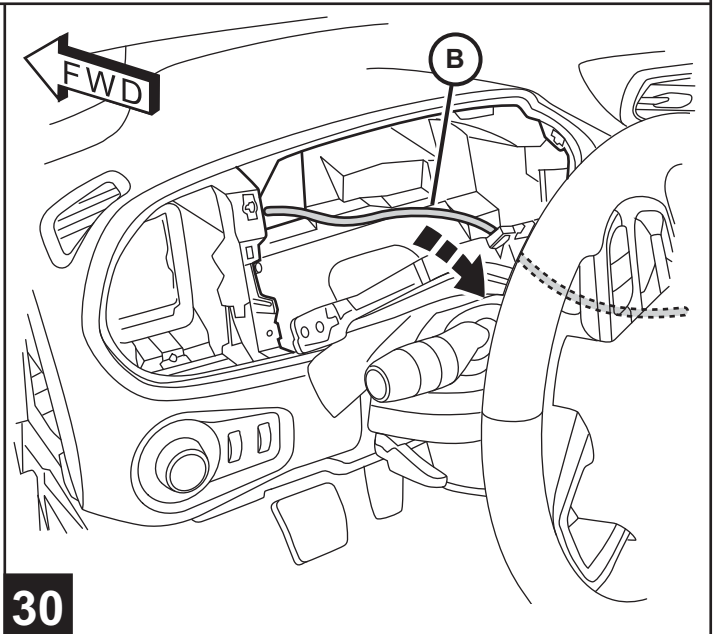
27



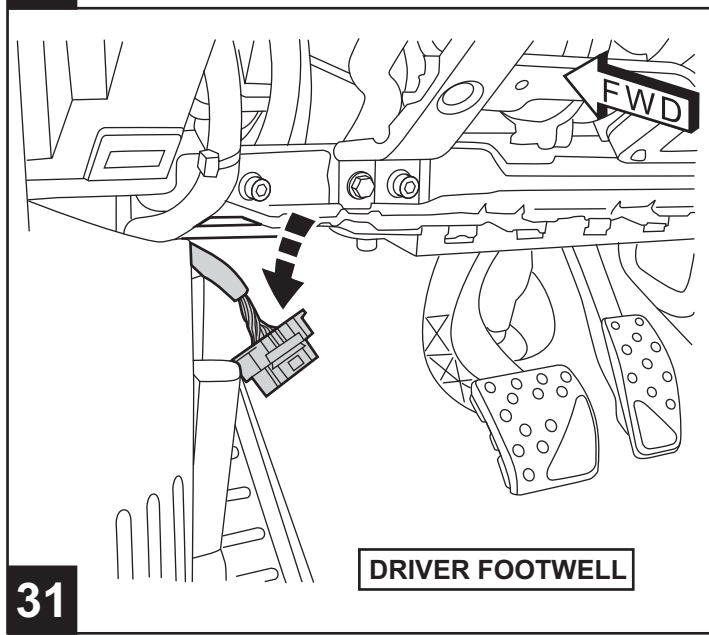
28



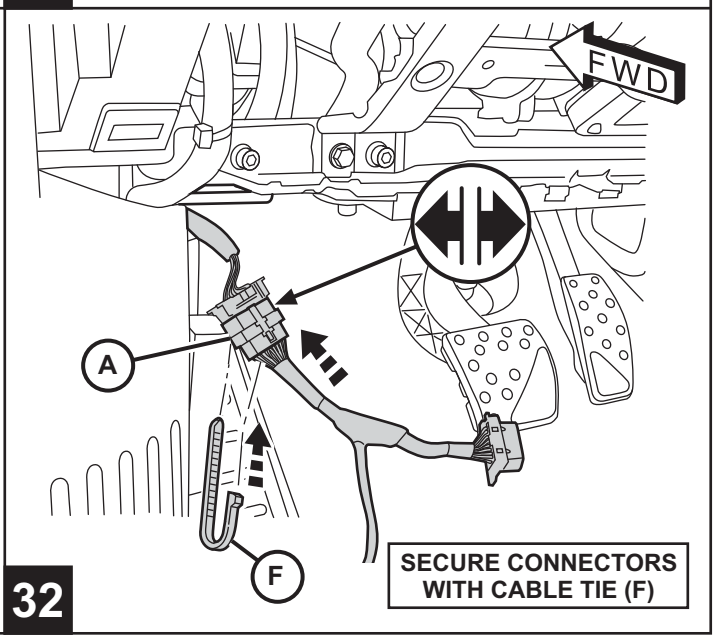
29



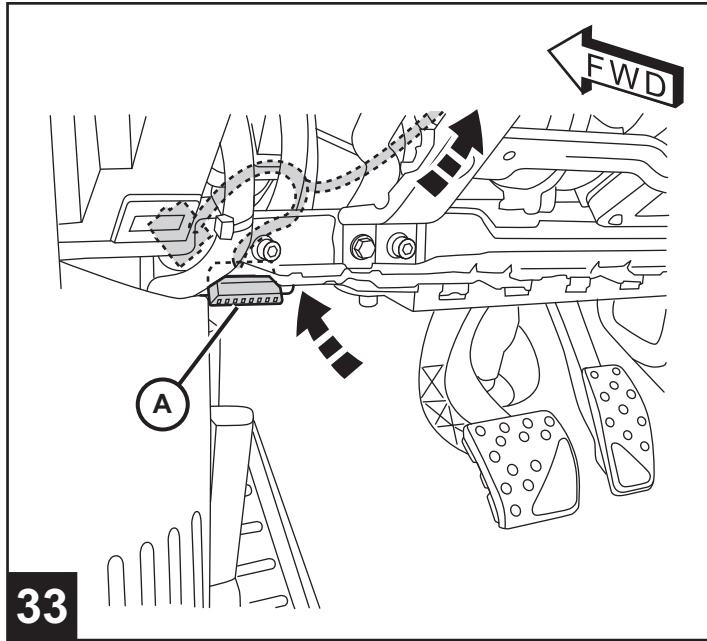
30



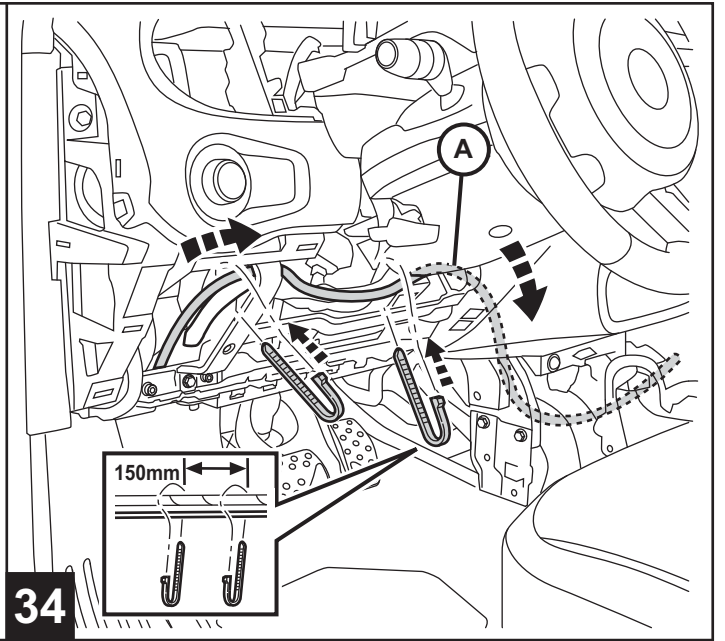
31



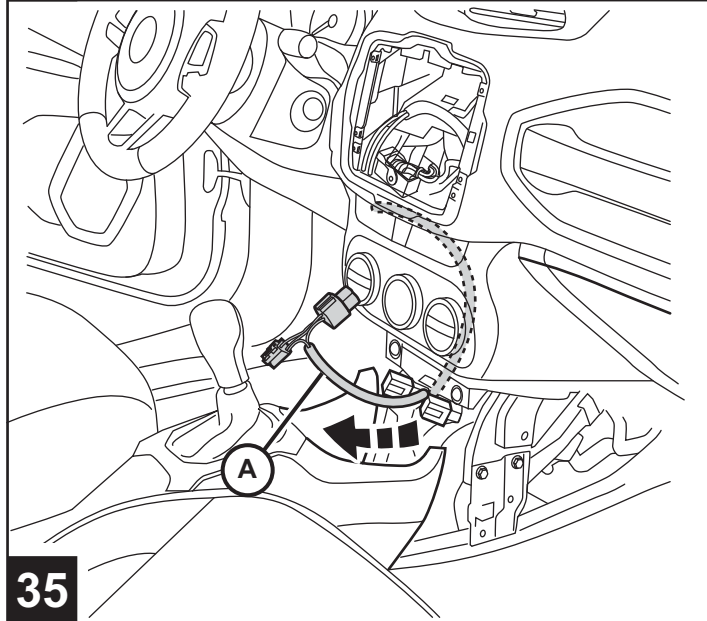
32



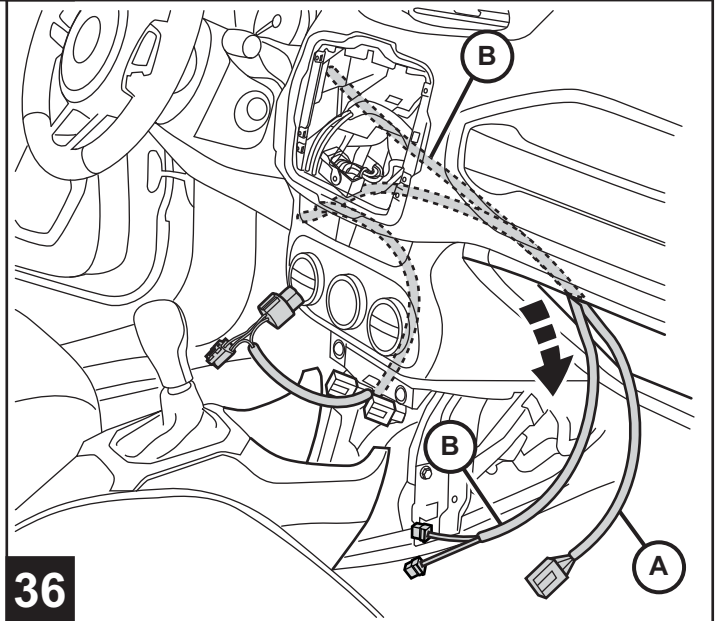
33



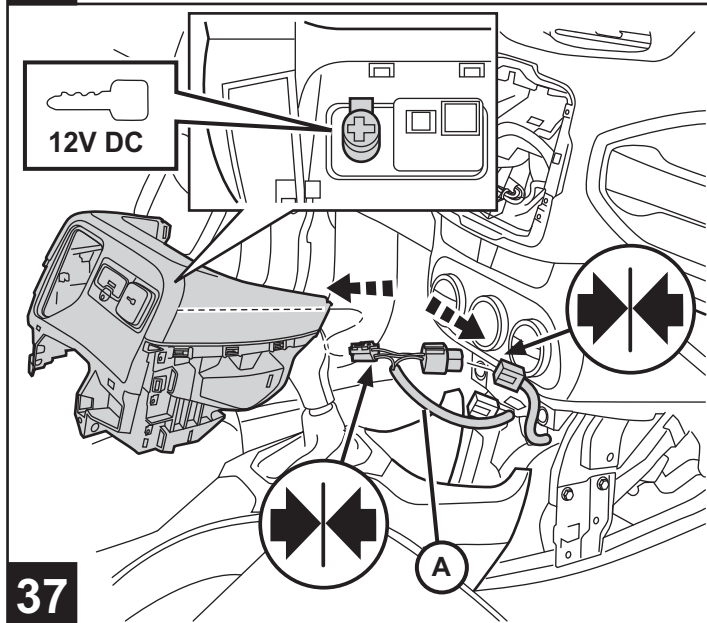
34



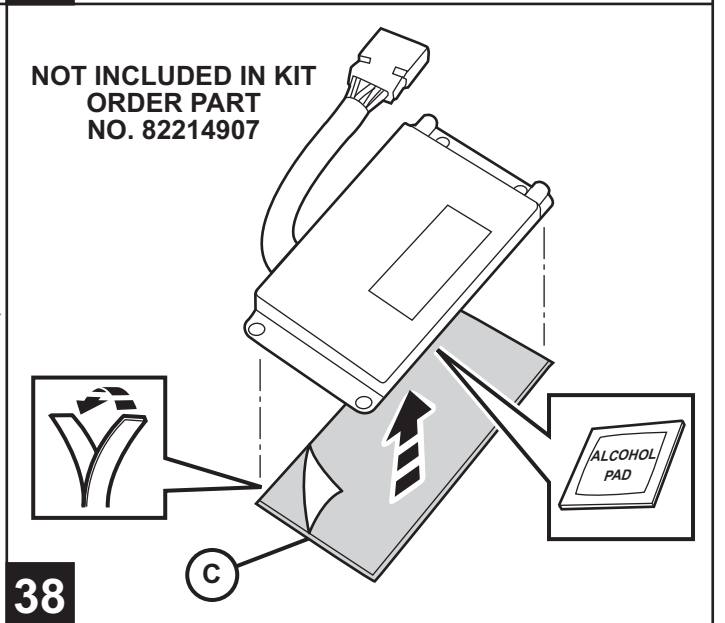
35



36



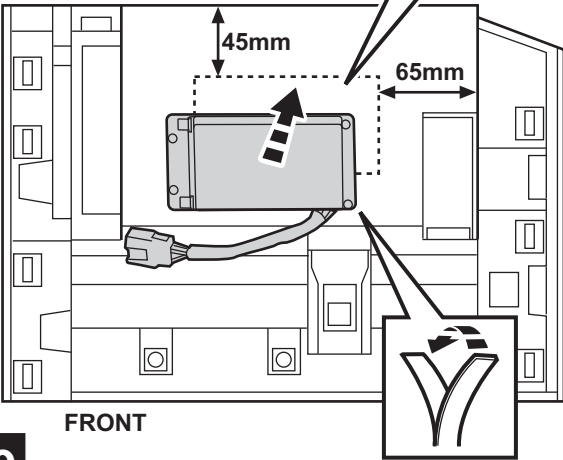
37



38

TOP OF GLOVEBOX

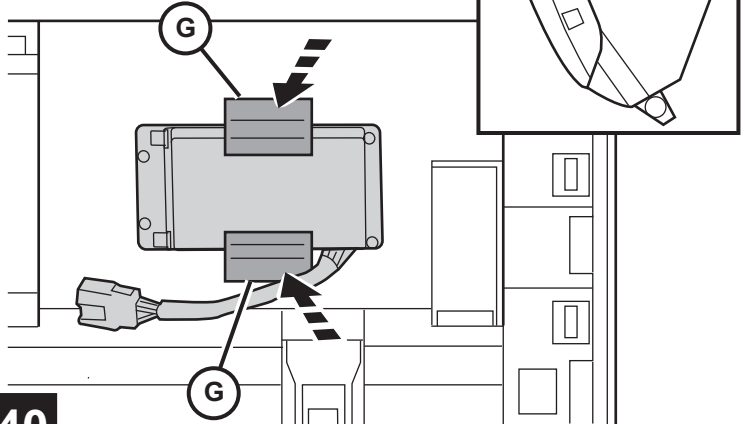
BACK



FRONT

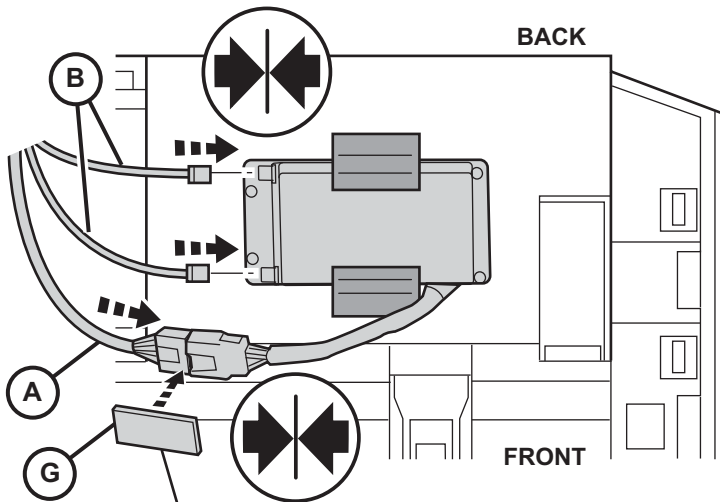
39

APPLY EXTRA MASTIC PATCHES OVER THE MODULE AS SHOWN TO HELP SECURE IT TO THE CURVED TOP SURFACE OF GLOVEBOX



40

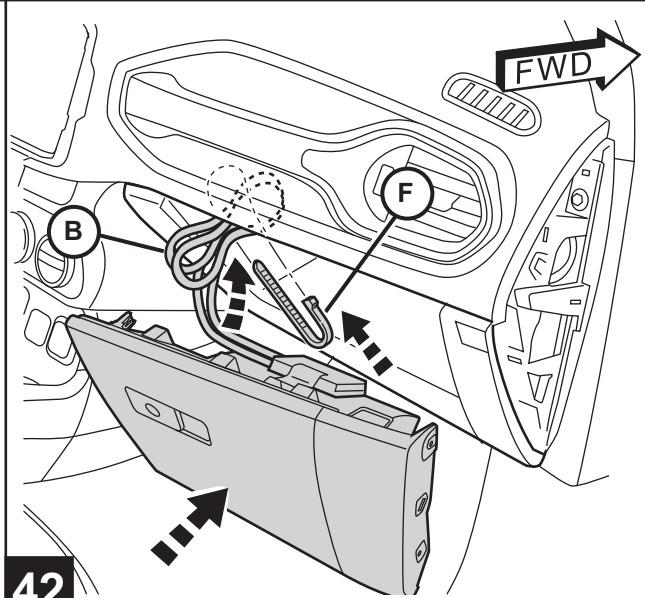
BACK



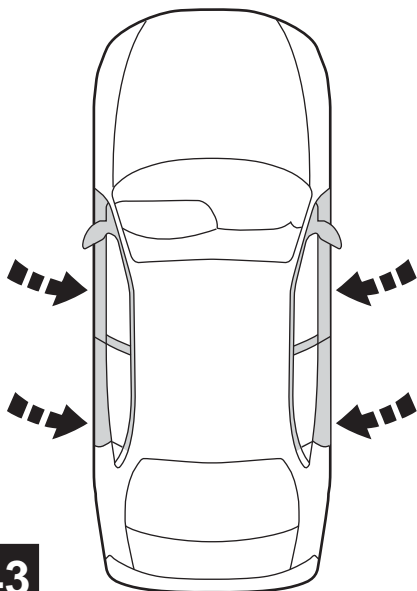
FRONT

SECURE CONNECTORS WITH MASTIC (G)

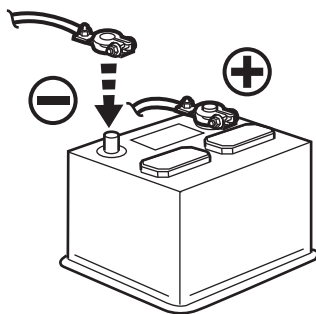
41



42



43



44

REFER TO END OF LINE (EOL) TEST PROCEDURE ON THE FOLLOWING PAGES

45

## Mopar Web – End Of Line (EOL) Procedure

### To be performed by the installer

The EOL procedure will verify proper function/installation of the Mopar Web Module and Installation Kit in the vehicle.

Equipment Needed To Perform This Procedure:

- Laptop or PC with internet access
- Smart phone

**NOTE: Some screens and commands may be different based on the smartphone operating system. For example, some smartphone operating systems require that you press “login” or “enter” to continue. If assistance is needed, please call Autonet Mobile Customer Care Center at 1-855-756-6727.**

**Questions regarding this procedure should be directed to  
Autonet Mobile Customer Care Center at  
1-855-756-6727**

---

### Testing the Mopar Web Module After Installation In The Vehicle

1. Open the driver’s door and turn the ignition switch to the RUN position.
2. Leave the ignition key in the RUN position for up to 3 minutes.
3. After 3 minutes have elapsed, open the wireless network list on the smart phone, laptop, or PC. Look for a Network Name (SSID) that either says “**mopar-NNNN**”(where NNNN are the last 4 digits of the Mopar Web Module’s serial number). The serial number can also be found on the Activation Card that will be given to the customer.
4. Open the web browser on the device (smartphone, laptop or PC) and go to:  
**<http://www.autonetrouter.com/eol>**

**NOTE: Some screens and commands may be different based on the smartphone operating system. For example, some smartphone operating systems require that you press “login” or “enter” to continue. If assistance is needed, please call Autonet Mobile Customer Care Center at 1-855-756-6727.**

## Mopar Web – End Of Line (EOL) Procedure (continued)

If the following screen appears after opening the browser on the device or the browser redirects you to this screen:



Do not press Login, rather, in the URL Address Bar of the browser, type **<http://www.autonetrouter.com/eol>** and press Enter.

**NOTE: Some screens and commands may be different based on the smartphone operating system. For example, some smartphone operating systems require that you press “login” or “enter” to continue. If assistance is needed, please call Autonet Mobile Customer Care Center at 1-855-756-6727.**

If the following screen appears while trying to access the URL above, go back to Step 1 and start over, otherwise, continue to the next Step.





## Mopar Web – End Of Line (EOL) Procedure (continued)

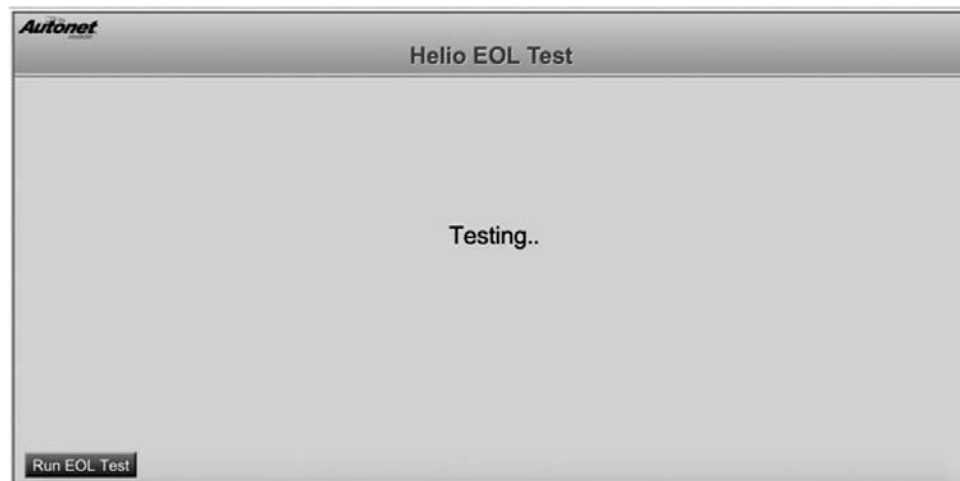
5. Successful access to <http://www.autonetrouter.com/eol> will display the following screen:



6. The EOL test verifies communication via network/WiFi as indicated by the Pass/Fail message in the center of the screen when the EOL test is executed from the browser screen.

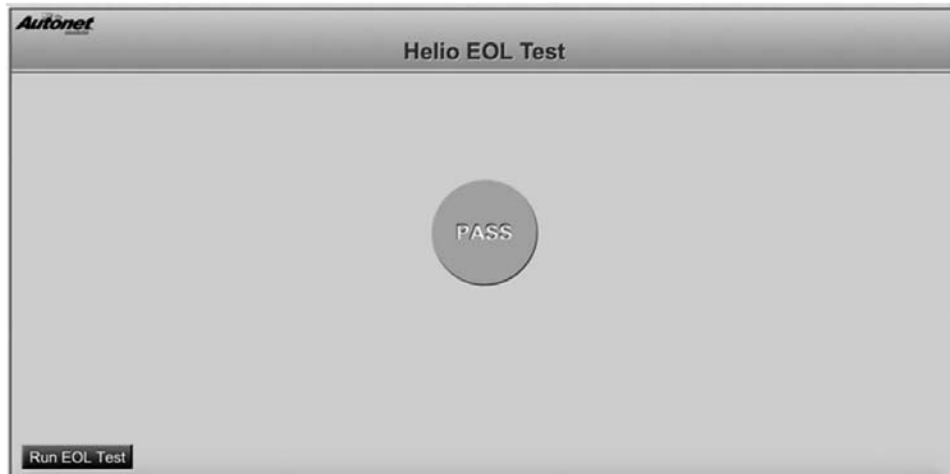
For proper function of the Mopar Connect module, the EOL test must pass.

7. Click on the button "Run EOL test" and the following will be displayed:



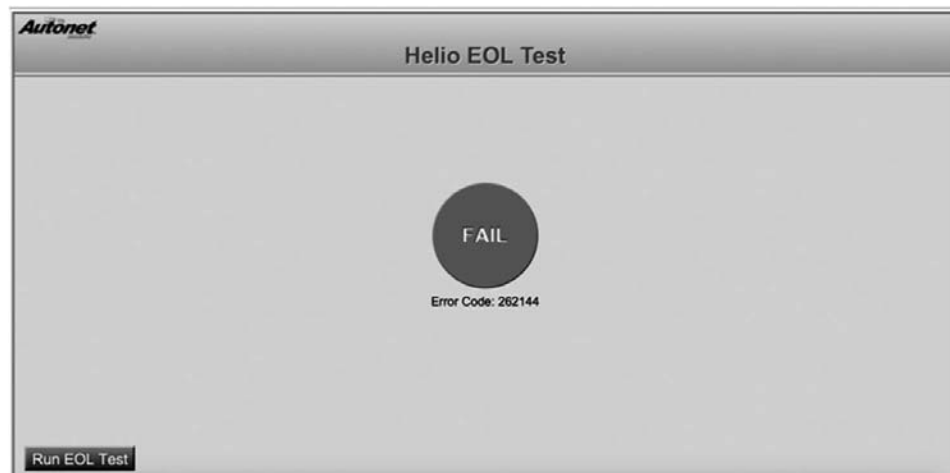
## Mopar Web – End Of Line (EOL) Procedure (continued)

8. If the EOL test passes, the following will be displayed:



If the EOL test passes, then EOL testing is complete. Otherwise, continue to Step 9.

9. If the EOL test fails, the following screens will be displayed:



- A red color Fail status displayed indicates that the network/WiFi portion of the EOL test failed.

## Mopar Web – End Of Line (EOL) Procedure (continued)

For all other errors or for further assistance,  
contact the Autonet Mobile Customer Care Center at

**1 -855-756-6727**

and provide the Customer Care Agent with  
the error code that is displayed on the screen.

**CHECK ALL WIRING AND  
TRIM ALL CABLE TIES.**

**REVERSE STEP 2 THROUGH 20  
AND STEPS 22 THROUGH 24 TO  
REINSTALL ALL BODY PANELS  
AND COMPONENTS.**

**AFTER FINAL ASSEMBLY,  
CLEAR ALL FAULT CODES**

**GIVE ACTIVATION CARD TO CUSTOMER  
FOR FINAL ACTIVATION PROCEDURE.**

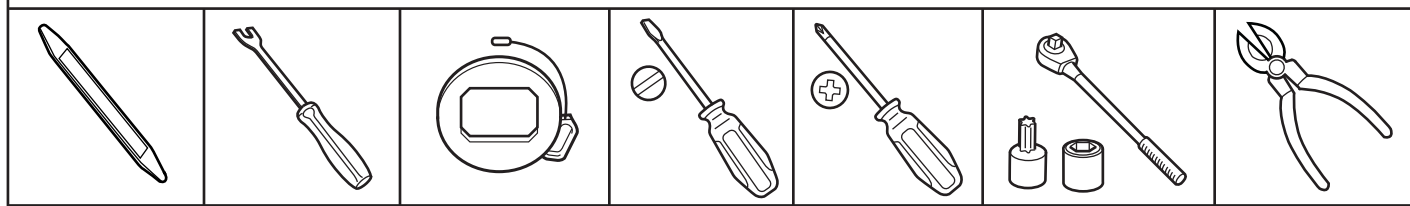
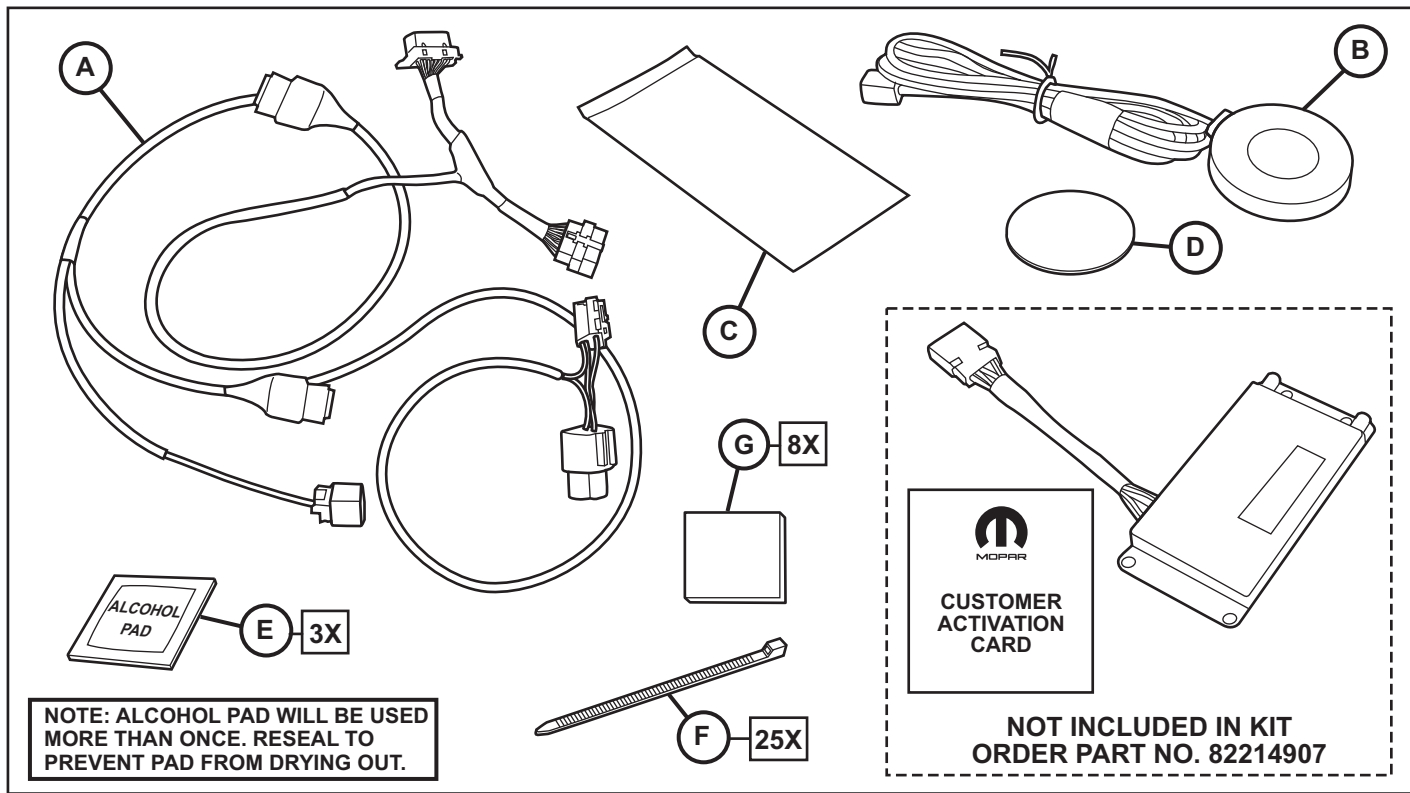
**46**

**47**

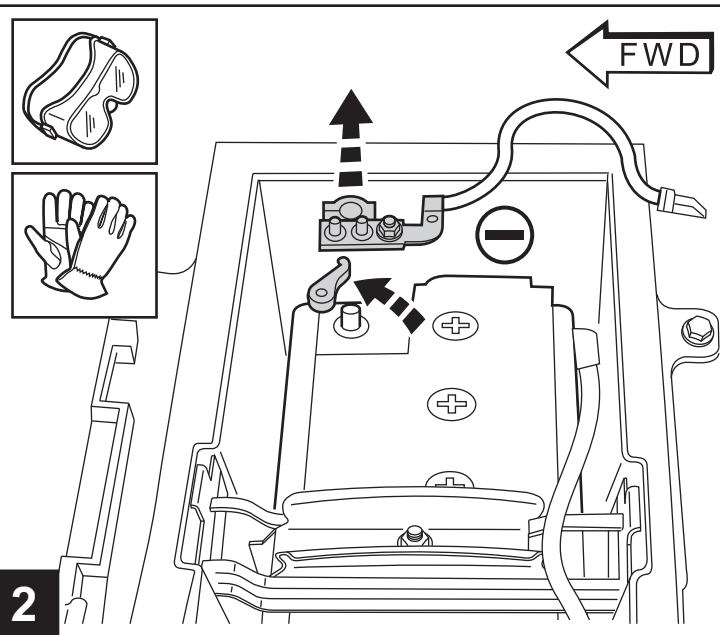
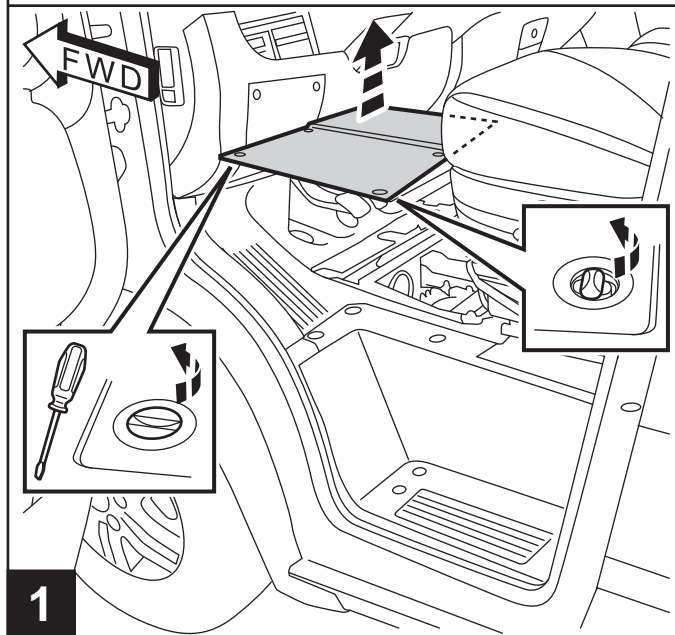


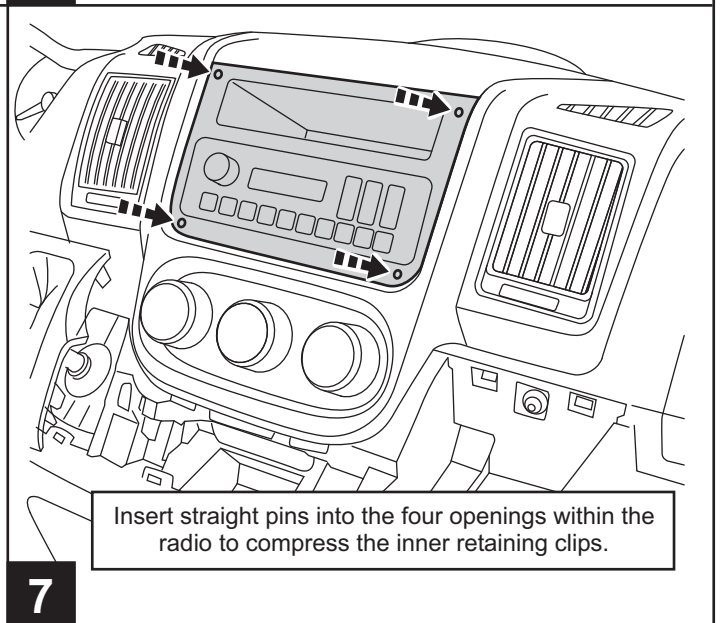
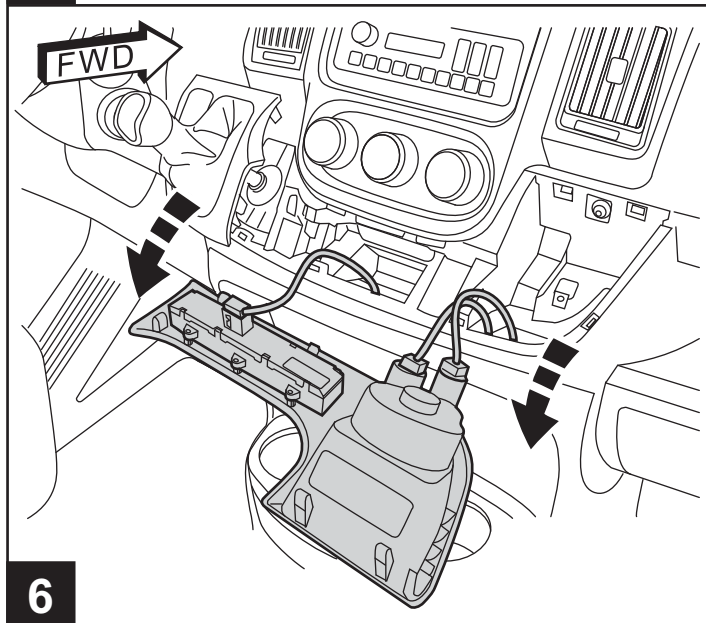
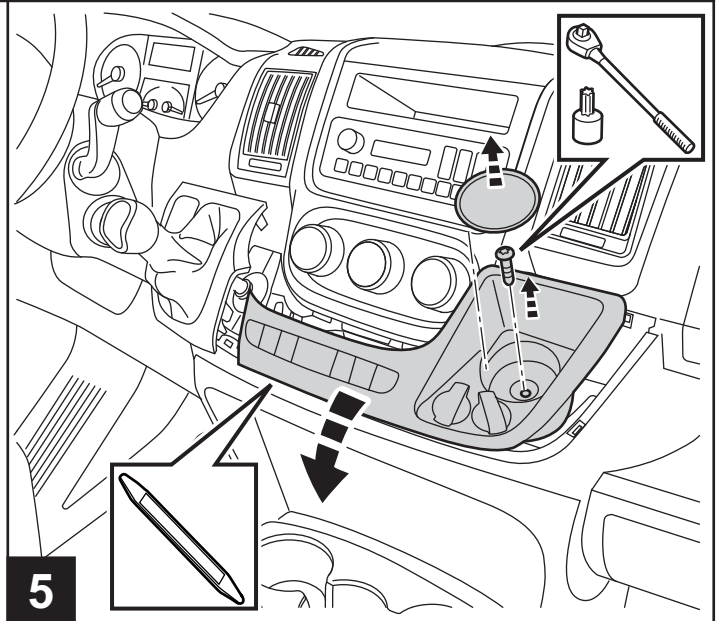
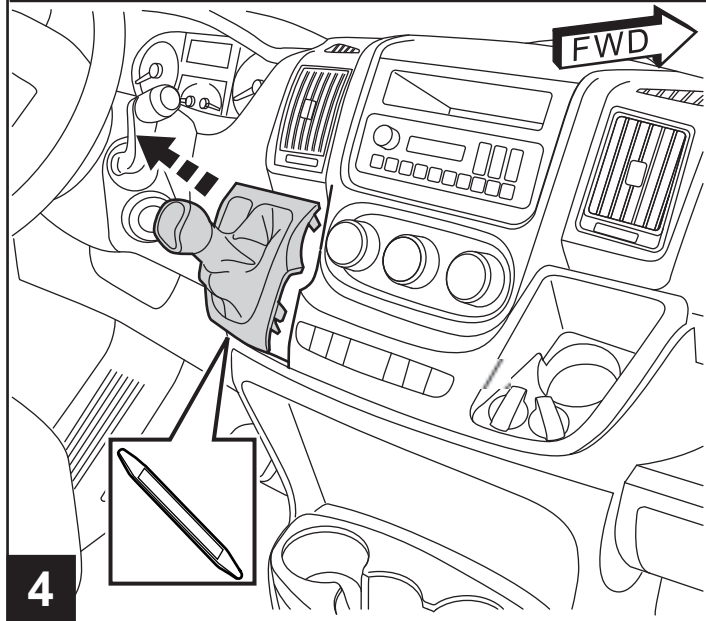
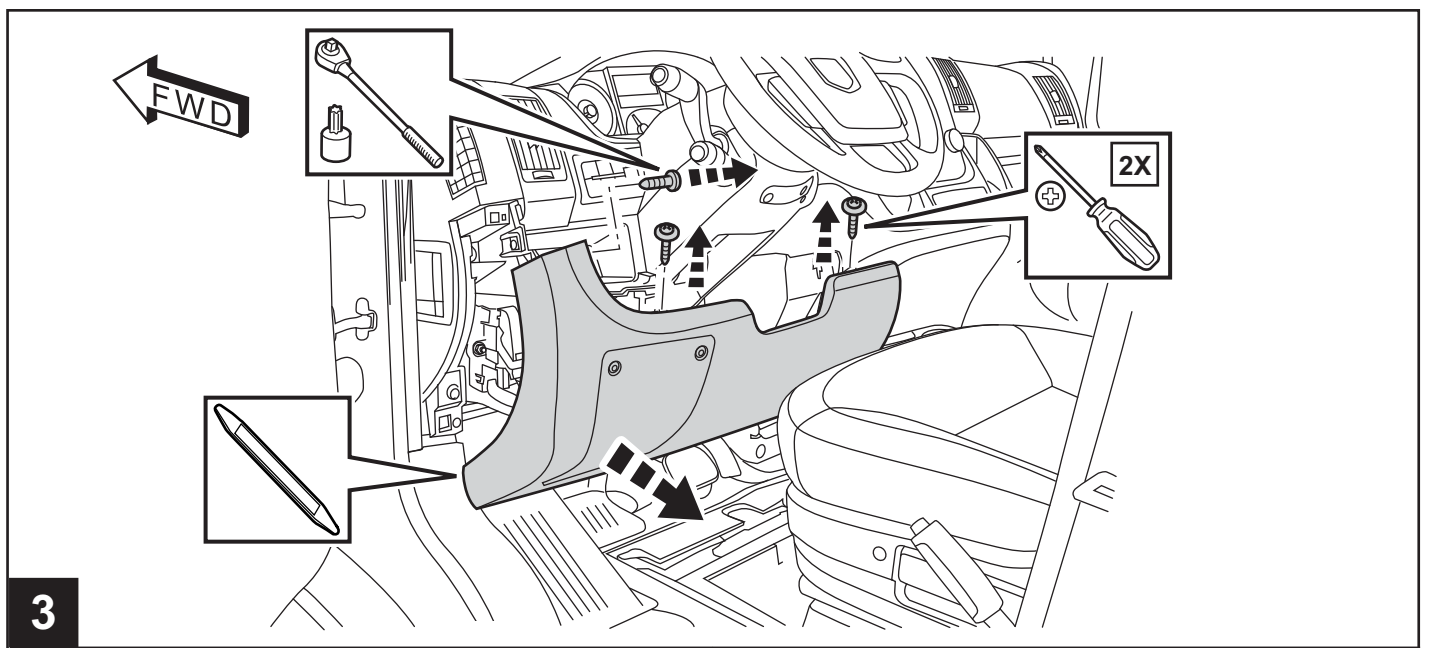
# PROMASTER MOPAR WEB

www.mopar.com

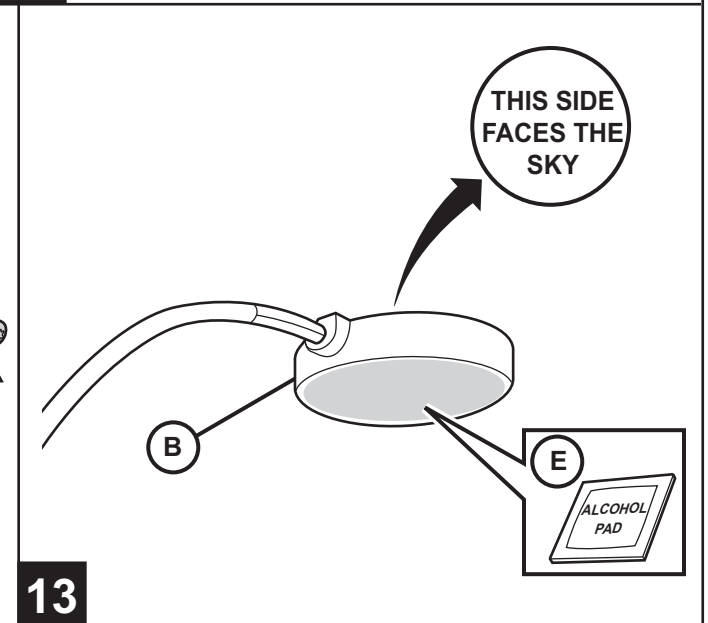
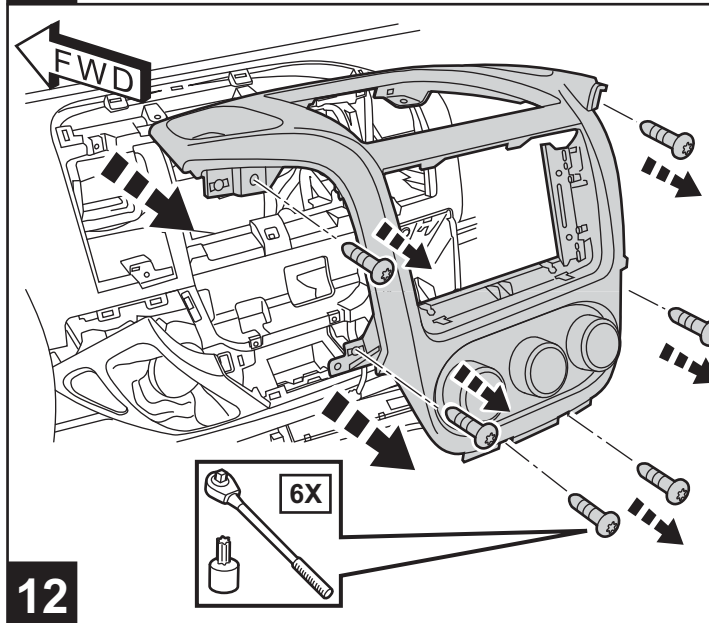
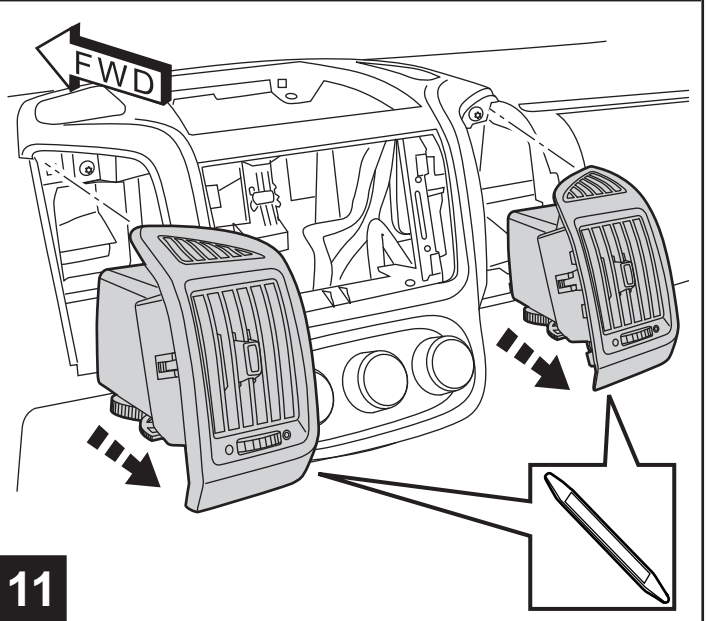
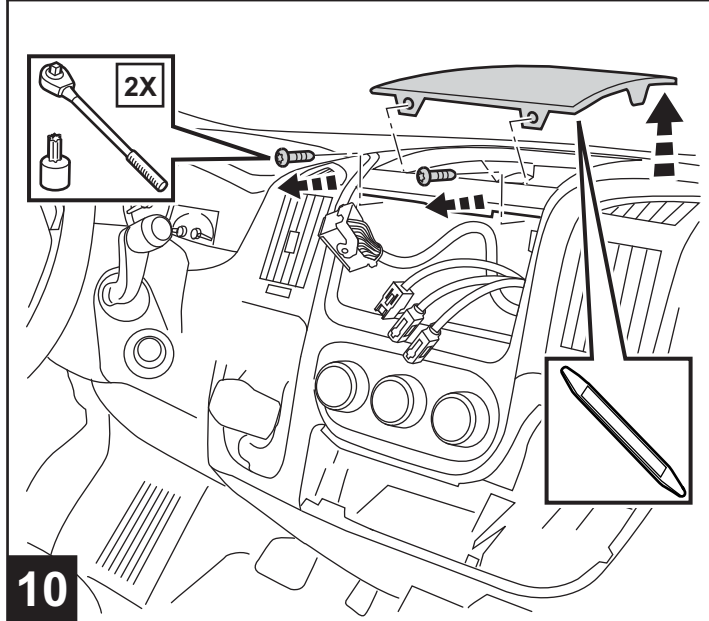
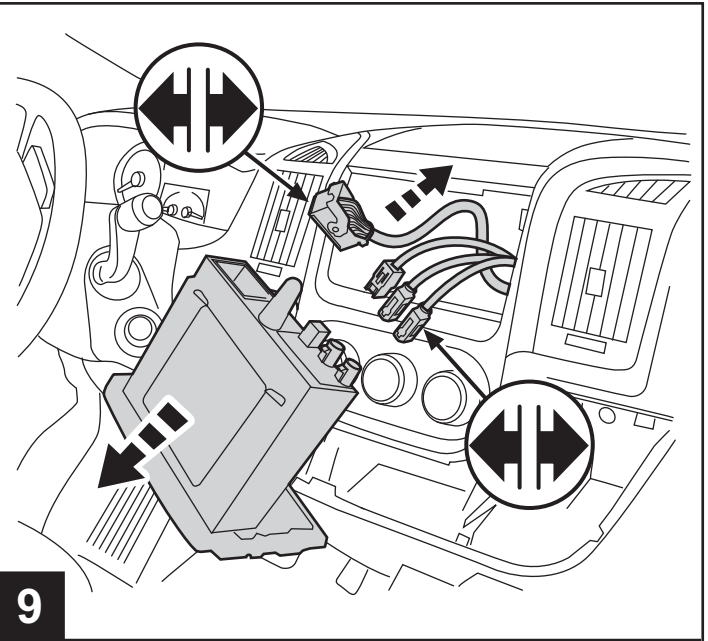
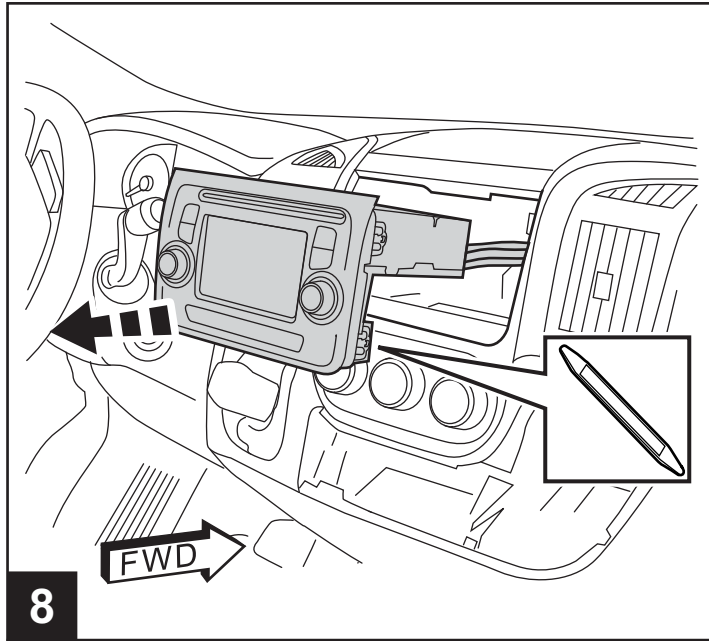


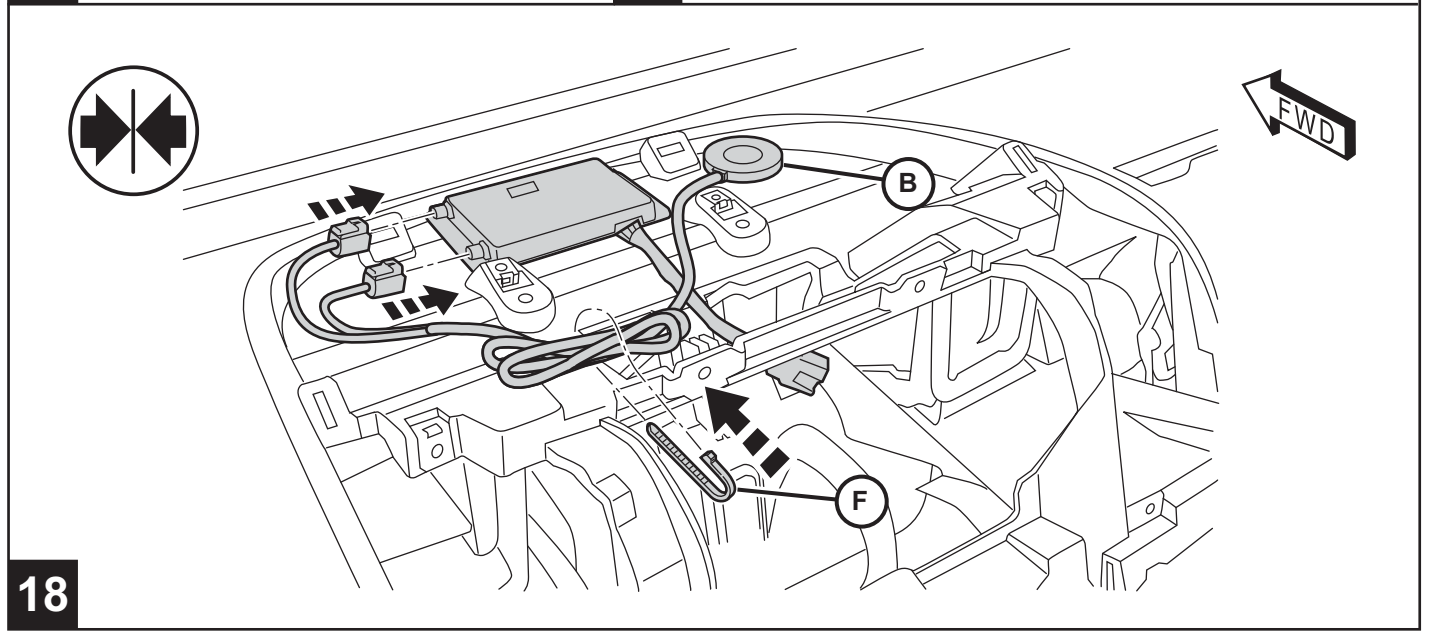
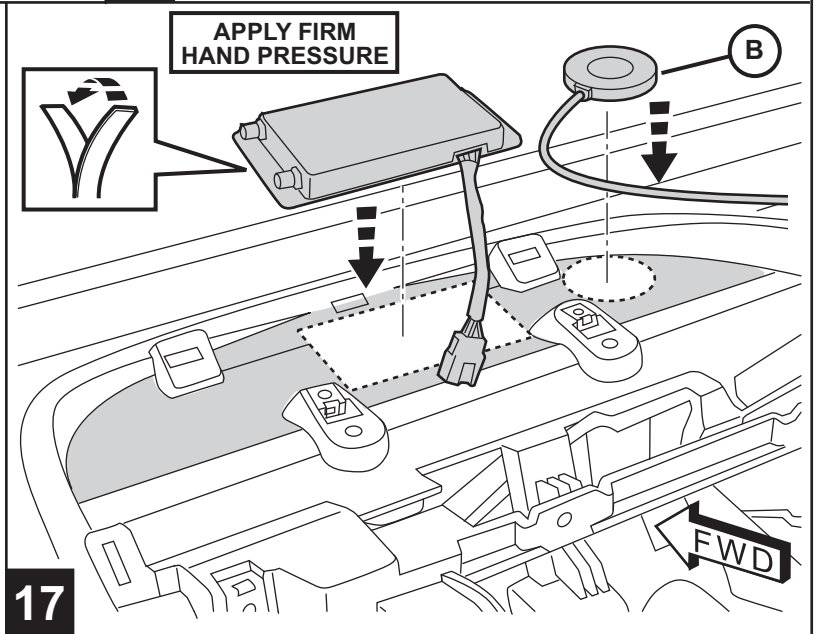
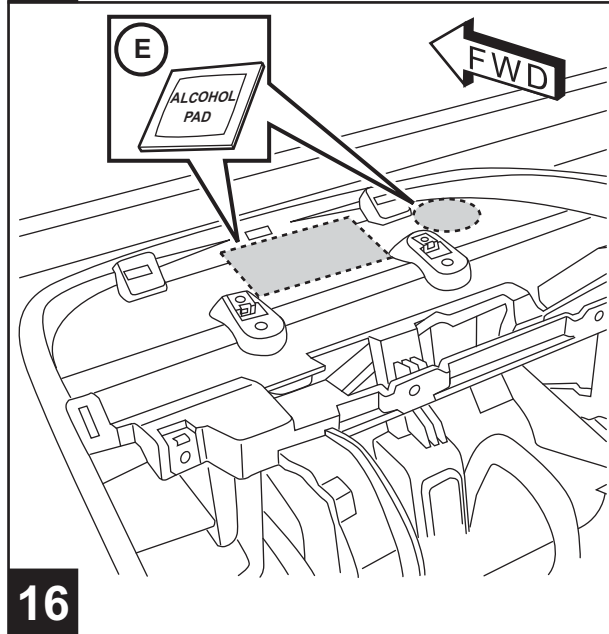
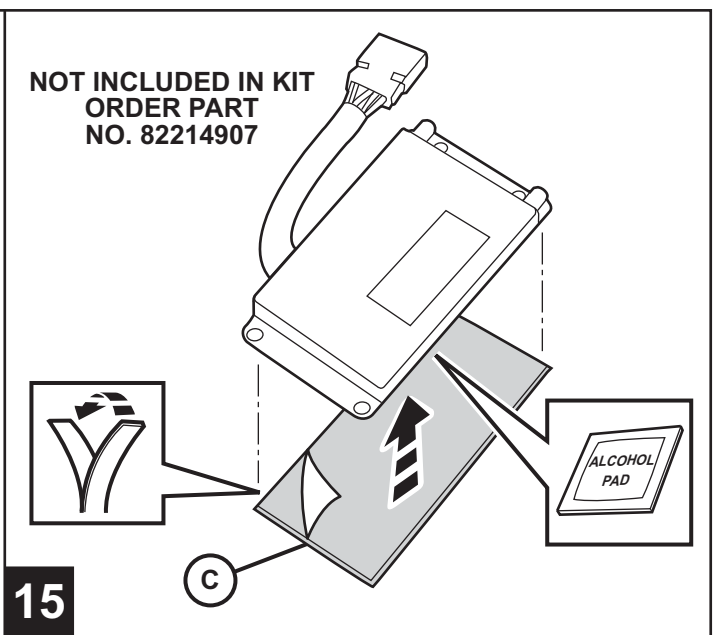
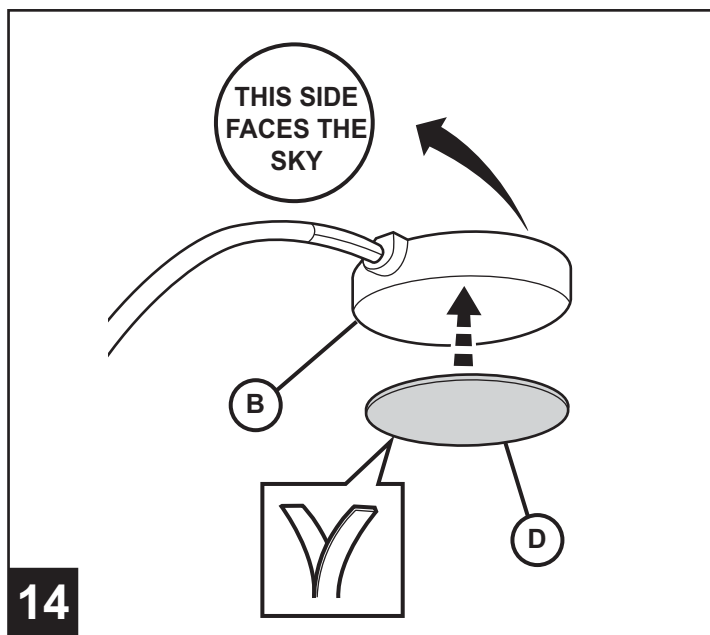
## RETAIN ALL FASTENERS FOR REINSTALLATION

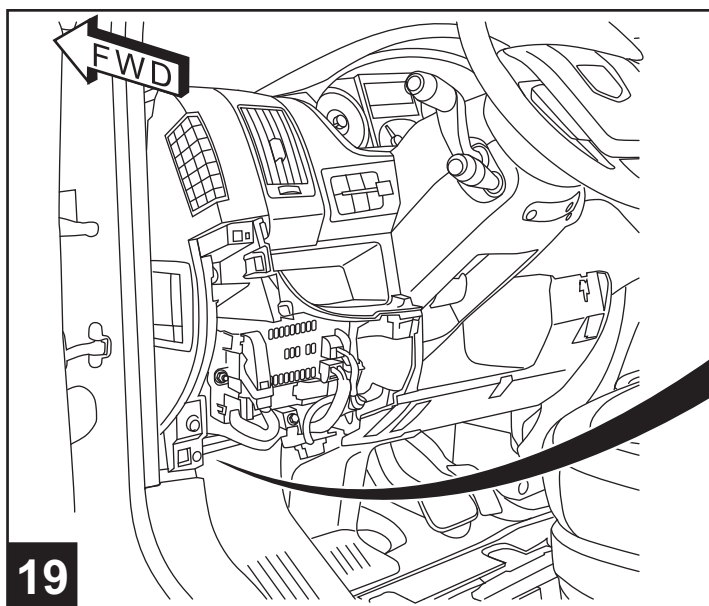




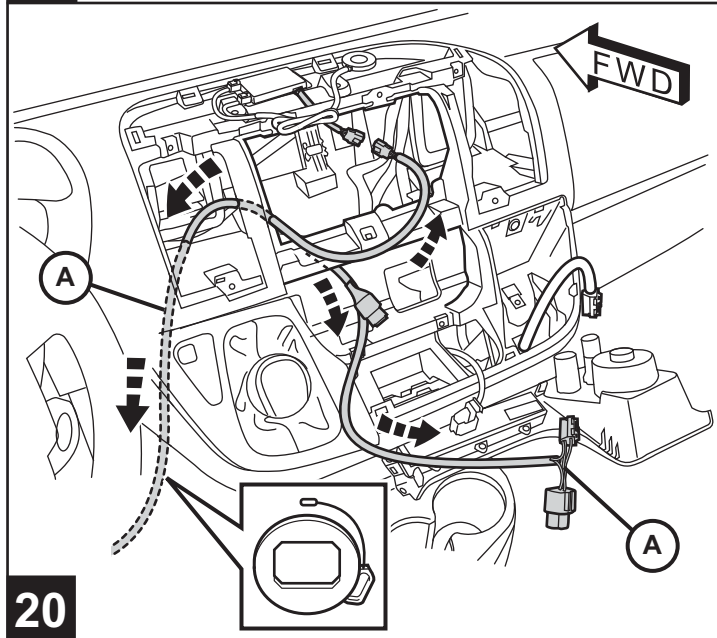
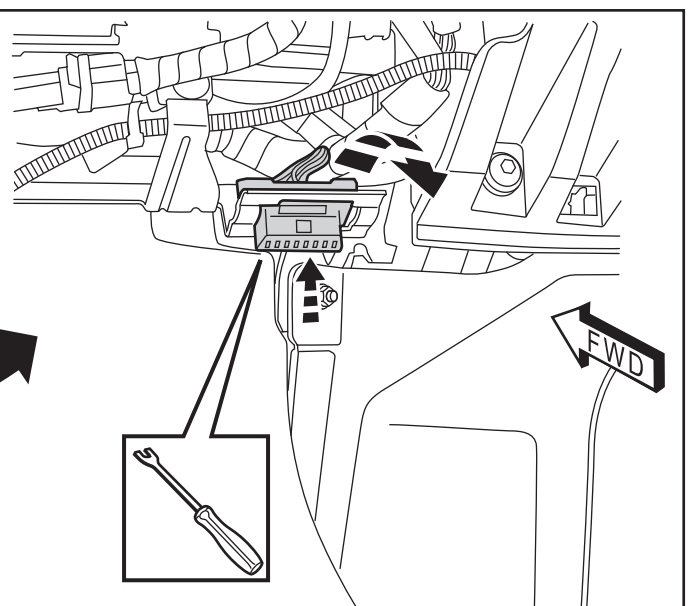




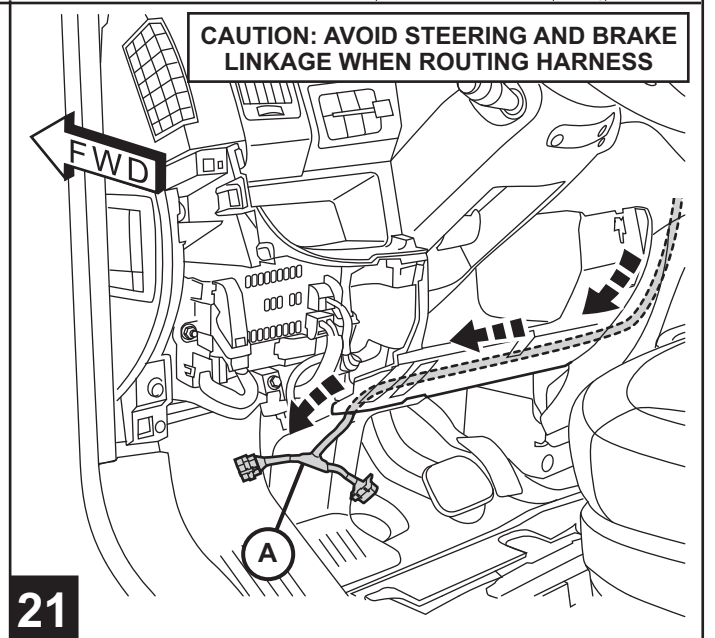




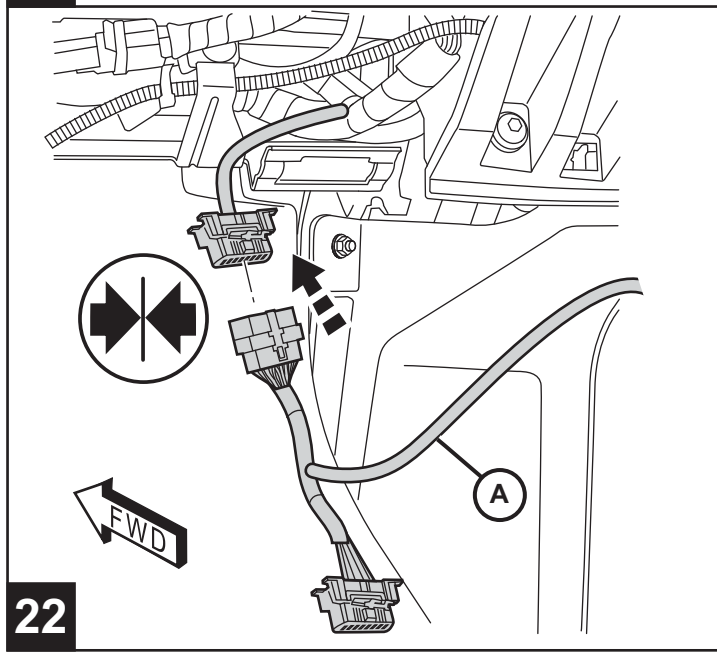
19



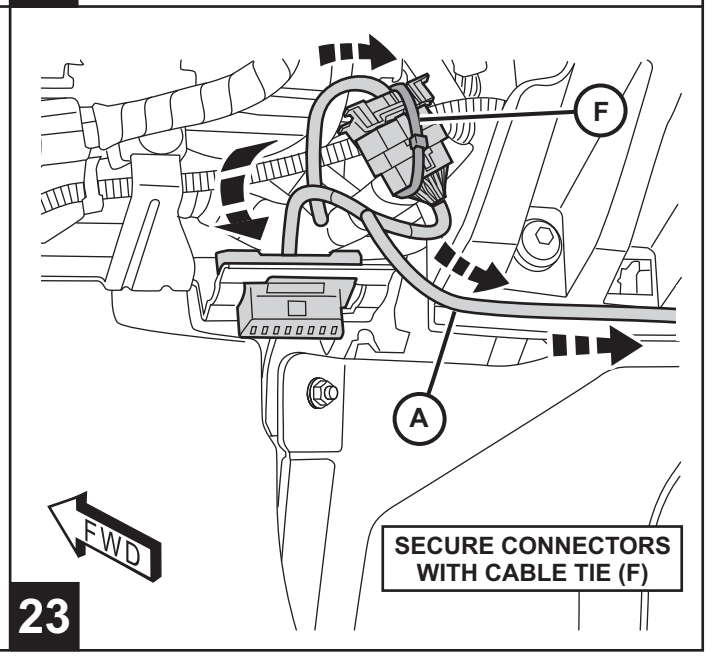
20



21



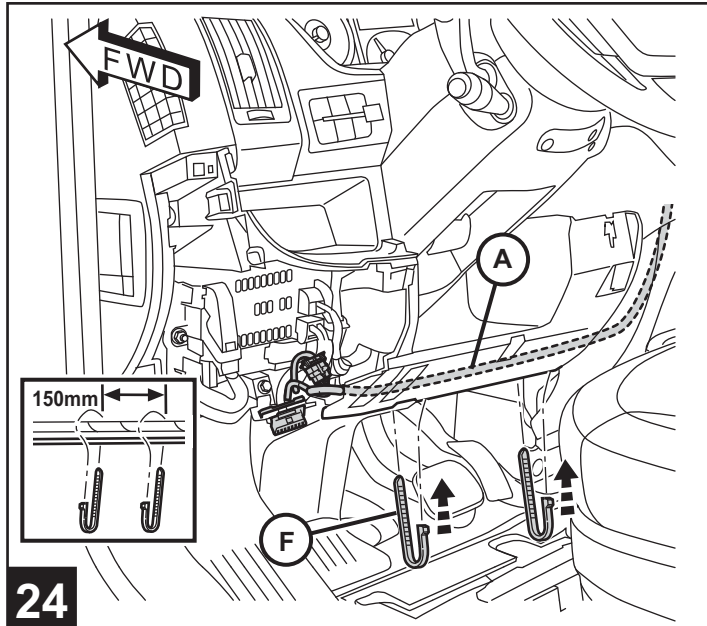
22



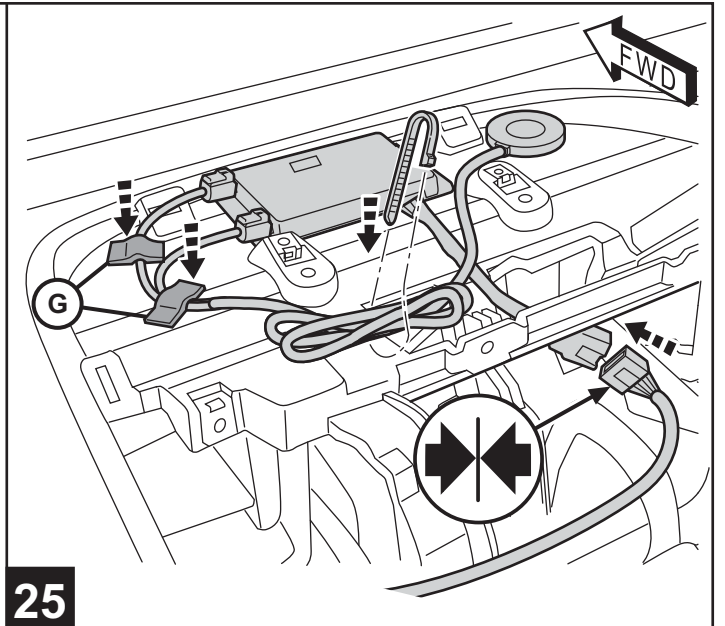
23

**CAUTION: AVOID STEERING AND BRAKE LINKAGE WHEN ROUTING HARNESS**

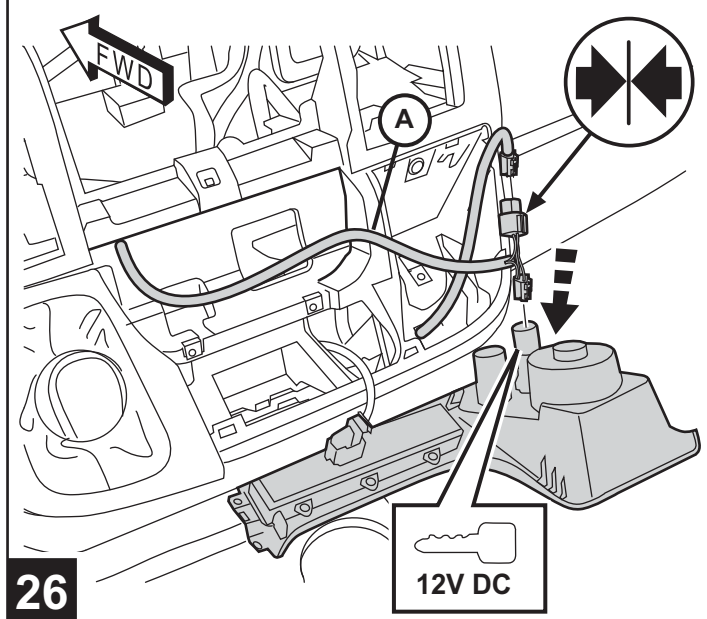
**SECURE CONNECTORS WITH CABLE TIE (F)**



24



25



26



27

**CLOSE ALL DOORS**

**REFER TO END OF LINE (EOL) TEST PROCEDURE  
ON THE FOLLOWING PAGES**

28



## Mopar Web – End Of Line (EOL) Procedure

### To be performed by the installer

The EOL procedure will verify proper function/installation of the Mopar Web Module and Installation Kit in the vehicle.

Equipment Needed To Perform This Procedure:

- Laptop or PC with internet access
- Smart phone

**NOTE: Some screens and commands may be different based on the smartphone operating system. For example, some smartphone operating systems require that you press “login” or “enter” to continue. If assistance is needed, please call Autonet Mobile Customer Care Center at 1-855-756-6727.**

**Questions regarding this procedure should be directed to  
Autonet Mobile Customer Care Center at  
1-855-756-6727**

---

### Testing the Mopar Web Module After Installation In The Vehicle

1. Open the driver’s door and turn the ignition switch to the RUN position.
2. Leave the ignition key in the RUN position for up to 3 minutes.
3. After 3 minutes have elapsed, open the wireless network list on the smart phone, laptop, or PC. Look for a Network Name (SSID) that either says “**mopar-NNNN**” (where NNNN are the last 4 digits of the Mopar Web Module’s serial number). The serial number can also be found on the Activation Card that will be given to the customer.
4. Open the web browser on the device (smartphone, laptop or PC) and go to:  
**<http://www.autonetrouter.com/eol>**

**NOTE: Some screens and commands may be different based on the smartphone operating system. For example, some smartphone operating systems require that you press “login” or “enter” to continue. If assistance is needed, please call Autonet Mobile Customer Care Center at 1-855-756-6727.**



## Mopar Web – End Of Line (EOL) Procedure (continued)

If the following screen appears after opening the browser on the device or the browser redirects you to this screen:



Do not press Login, rather, in the URL Address Bar of the browser, type **http://www.autonetrouter.com/eol** and press Enter.

**NOTE: Some screens and commands may be different based on the smartphone operating system. For example, some smartphone operating systems require that you press “login” or “enter” to continue. If assistance is needed, please call Autonet Mobile Customer Care Center at 1-855-756-6727.**

If the following screen appears while trying to access the URL above, go back to Step 1 and start over, otherwise, continue to the next Step.



## Mopar Web – End Of Line (EOL) Procedure (continued)

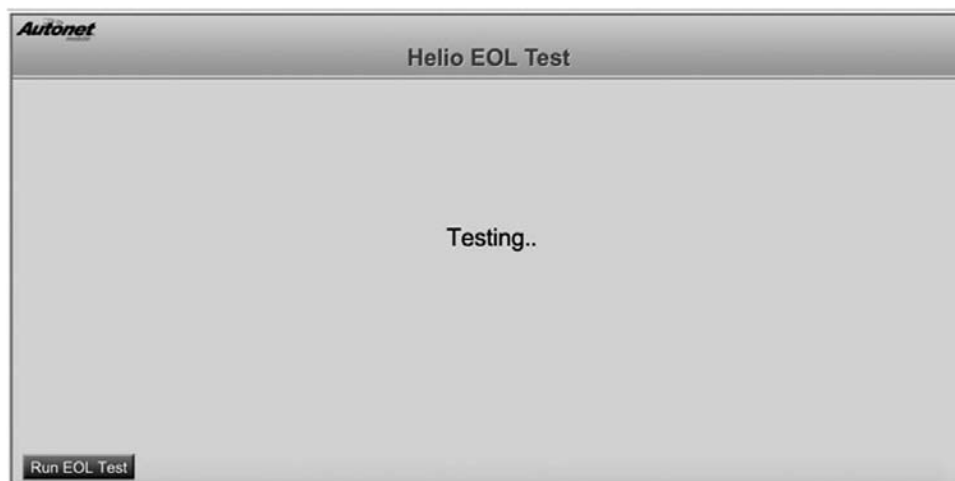
5. Successful access to <http://www.autonetrouter.com/eol> will display the following screen:



6. The EOL test verifies communication via network/WiFi as indicated by the Pass/Fail message in the center of the screen when the EOL test is executed from the browser screen.

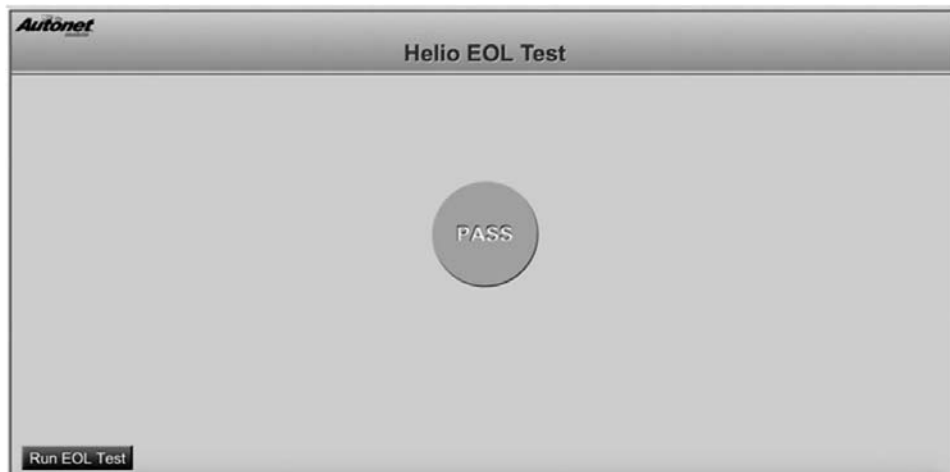
For proper function of the Mopar Connect module, the EOL test must pass.

7. Click on the button "Run EOL test" and the following will be displayed:



## Mopar Web – End Of Line (EOL) Procedure (continued)

8. If the EOL test passes, the following will be displayed:



If the EOL test passes, then EOL testing is complete. Otherwise, continue to Step 9.

9. If the EOL test fails, the following screens will be displayed:



- A red color Fail status displayed indicates that the network/WiFi portion of the EOL test failed.

## Mopar Web – End Of Line (EOL) Procedure (continued)

For all other errors or for further assistance,  
contact the Autonet Mobile Customer Care Center at

**1 -855-756-6727**

and provide the Customer Care Agent with  
the error code that is displayed on the screen.

**CHECK ALL WIRING AND  
TRIM ALL CABLE TIES.**

**REVERSE STEPS 3 THROUGH 12  
TO REINSTALL ALL BODY PANELS  
AND COMPONENTS.**

**AFTER FINAL ASSEMBLY,  
CLEAR ALL FAULT CODES**

**GIVE ACTIVATION CARD TO CUSTOMER  
FOR FINAL ACTIVATION PROCEDURE.**

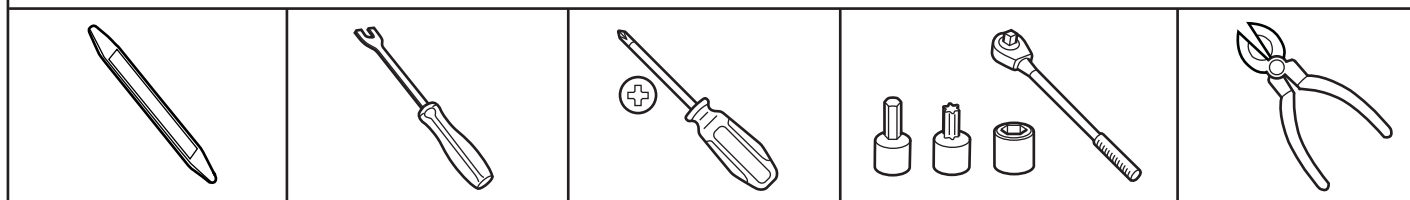
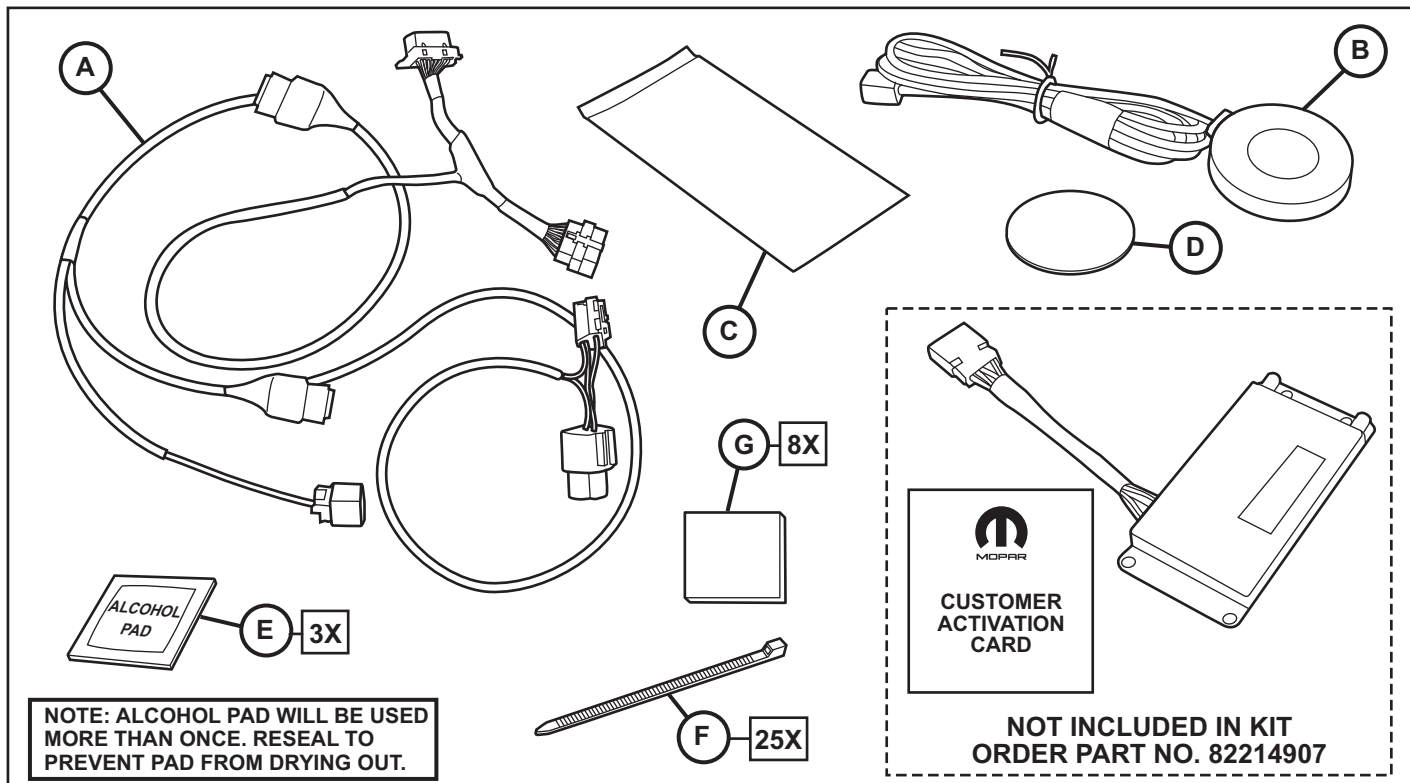
**29**

**30**



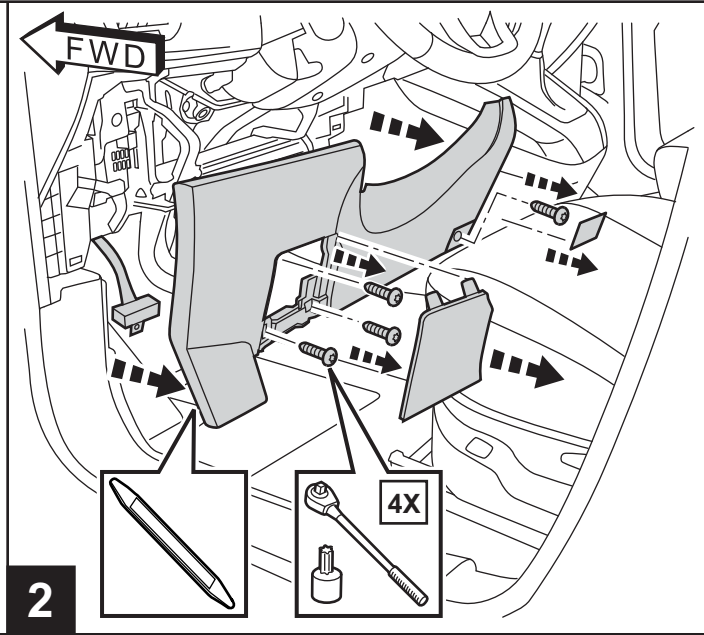
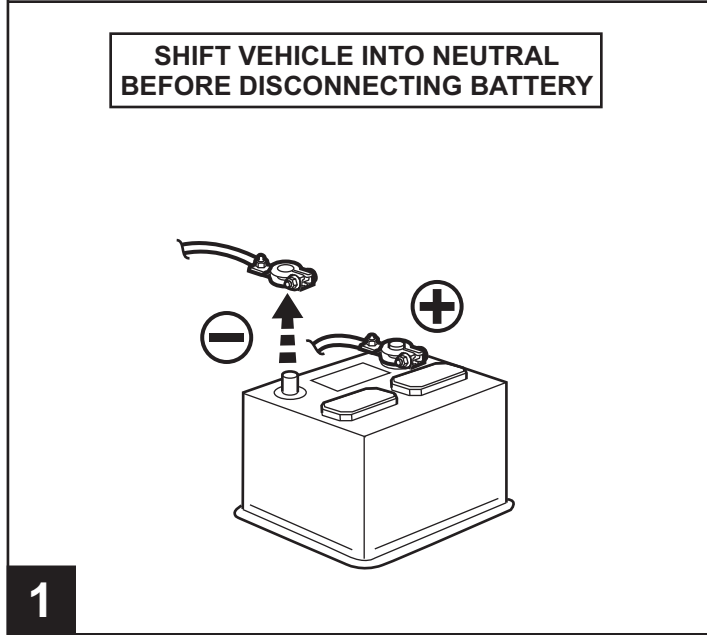
# PROMASTER CITY MOPAR WEB

www.mopar.com

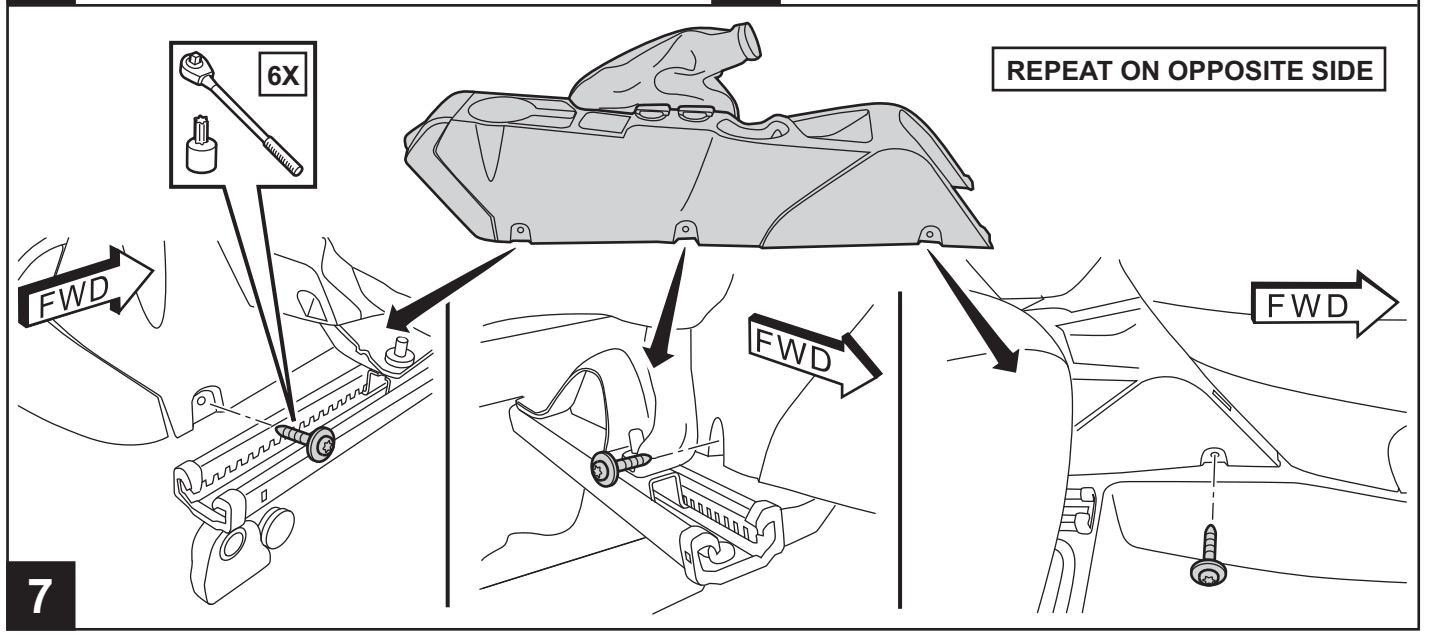
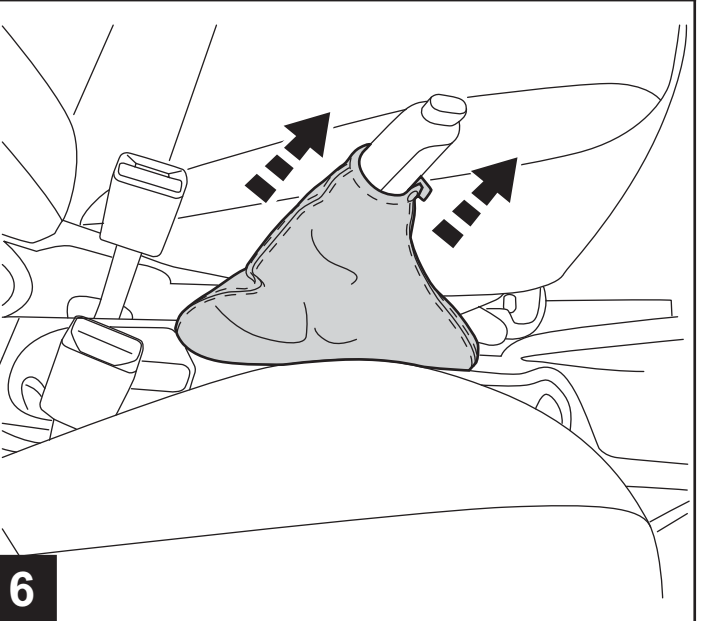
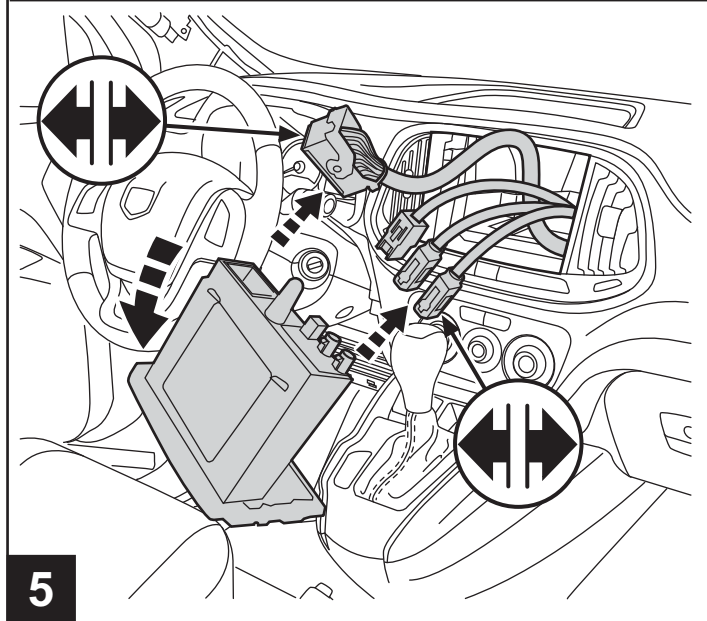
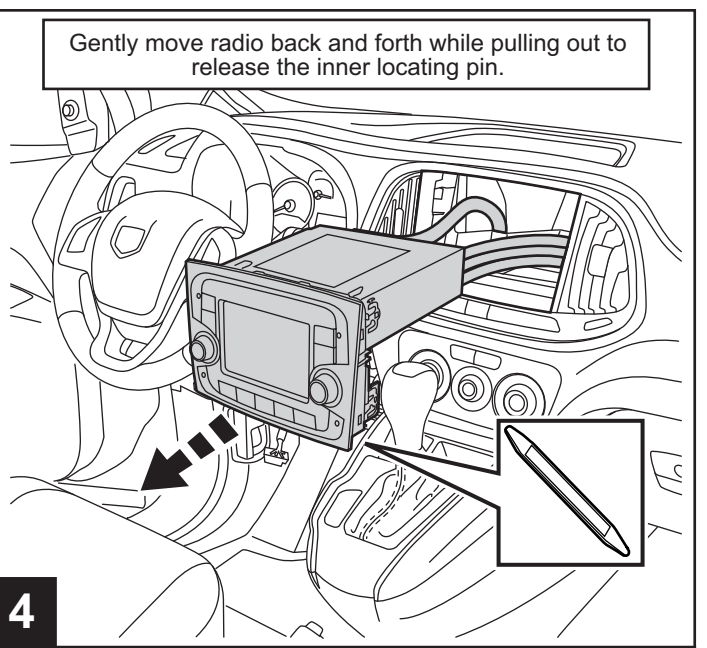
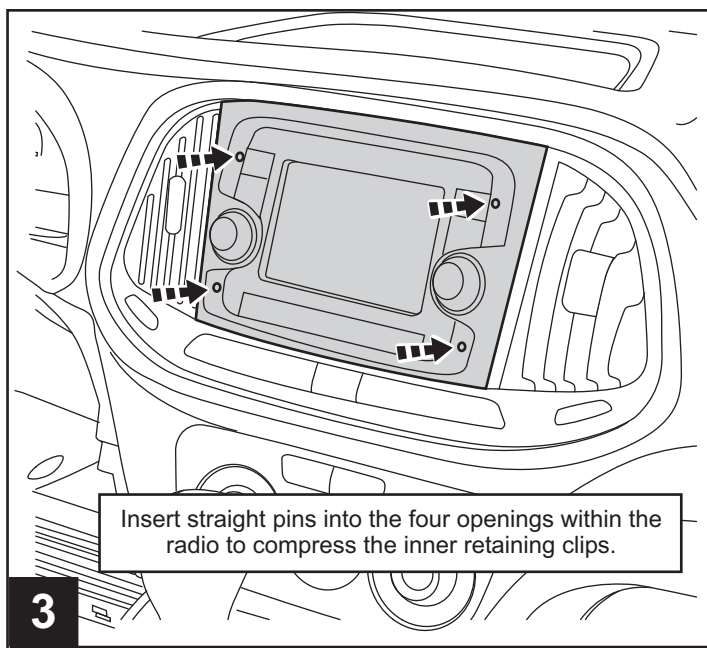


## RETAIN ALL FASTENERS FOR REINSTALLATION

SHIFT VEHICLE INTO NEUTRAL BEFORE DISCONNECTING BATTERY





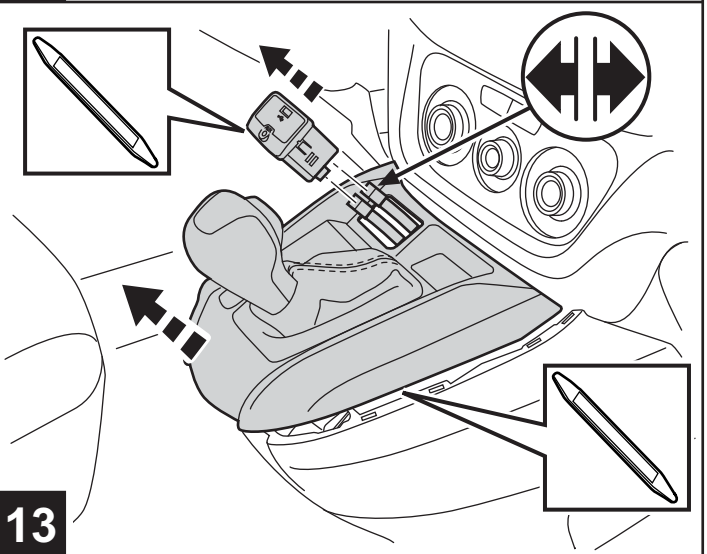
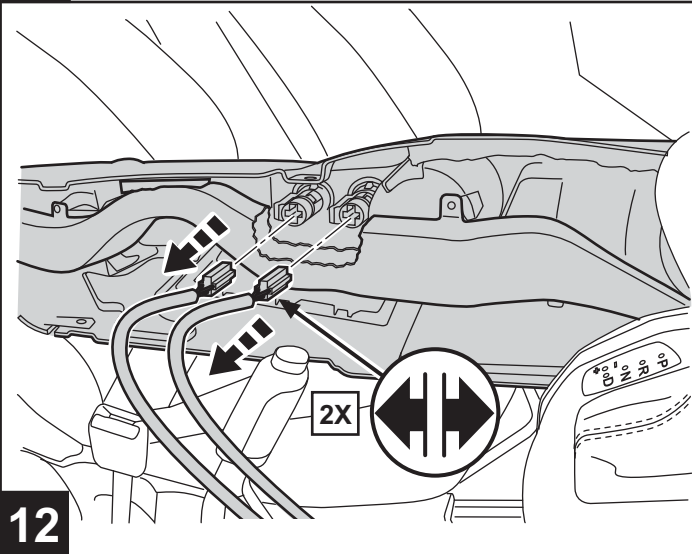
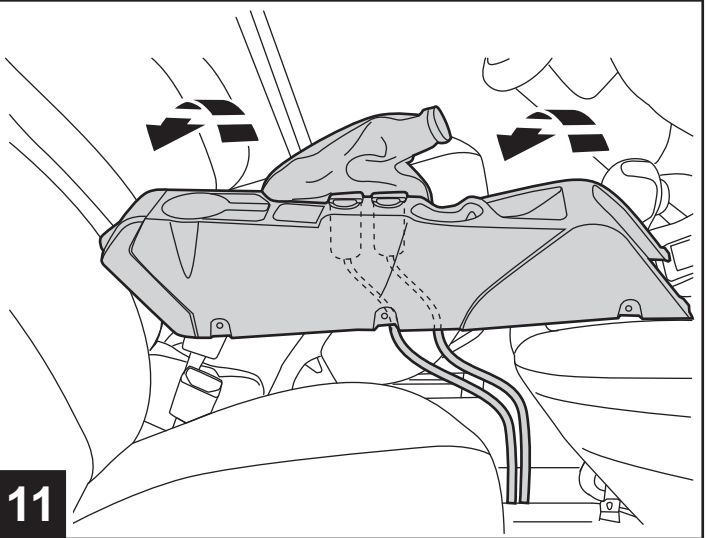
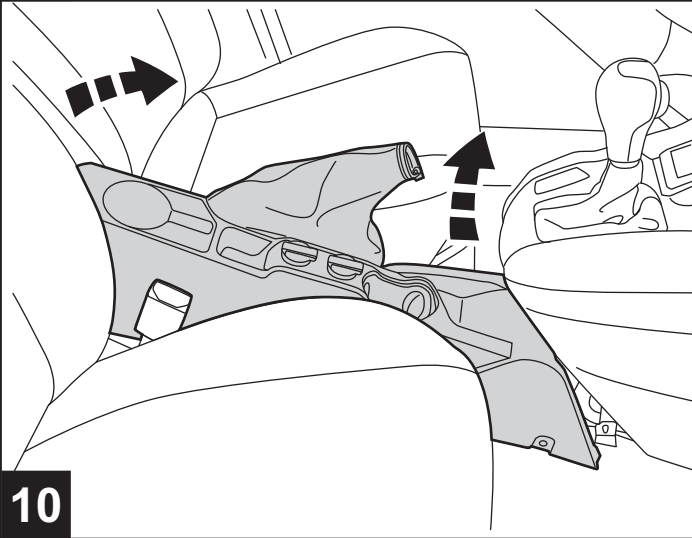
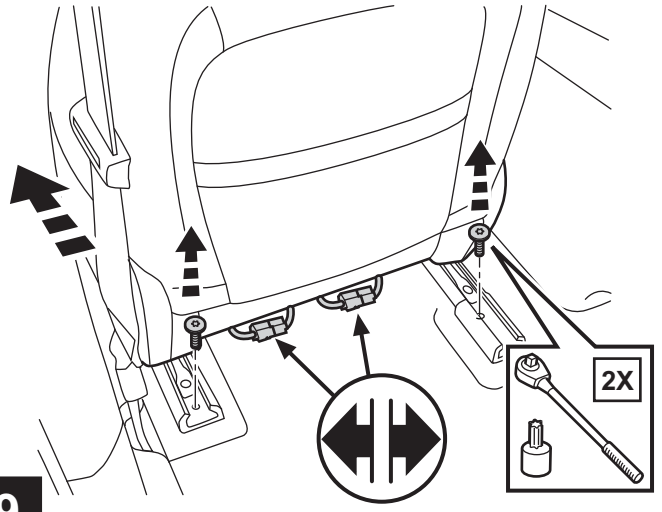
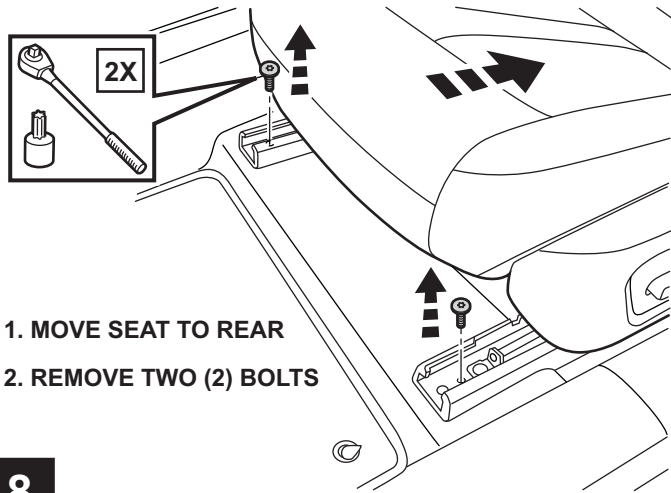


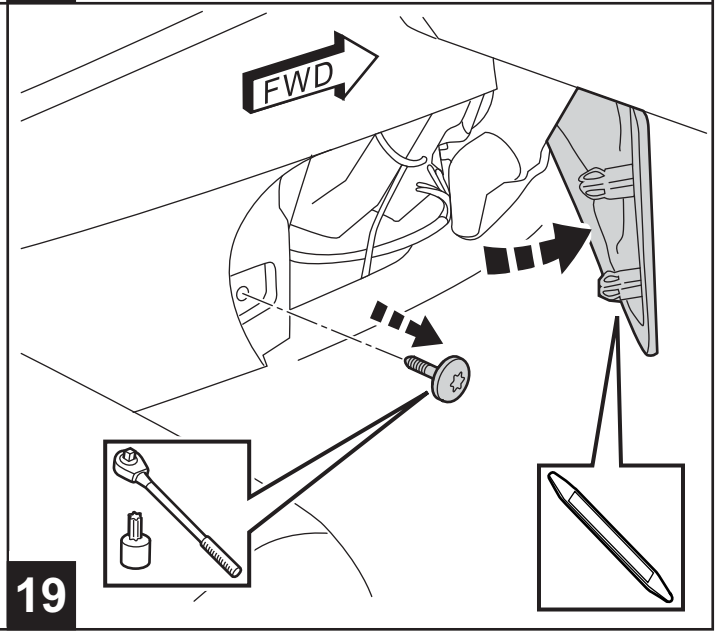
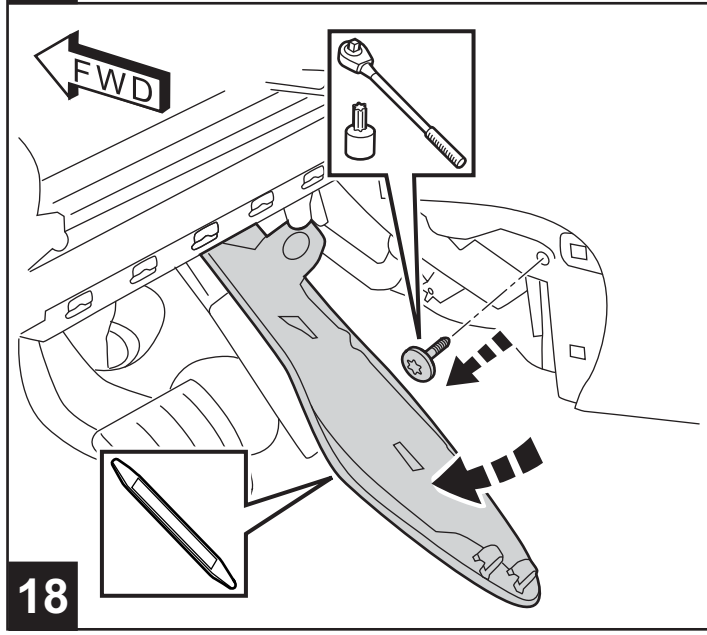
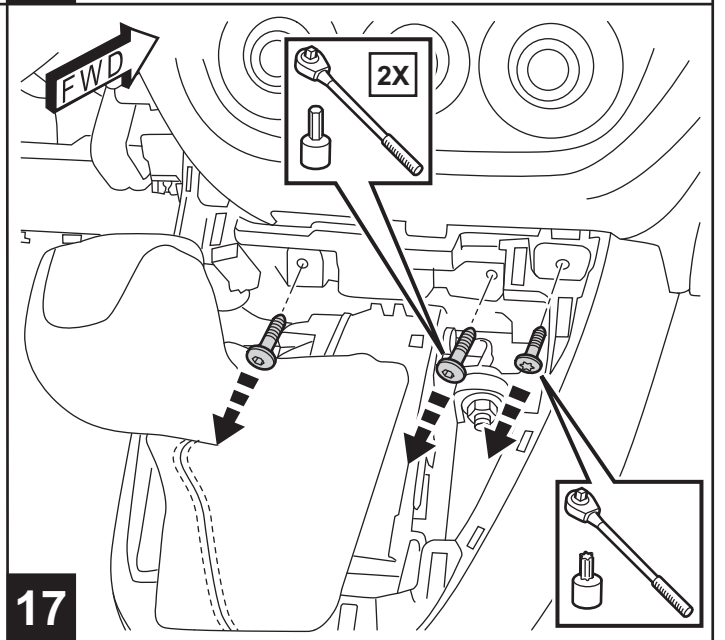
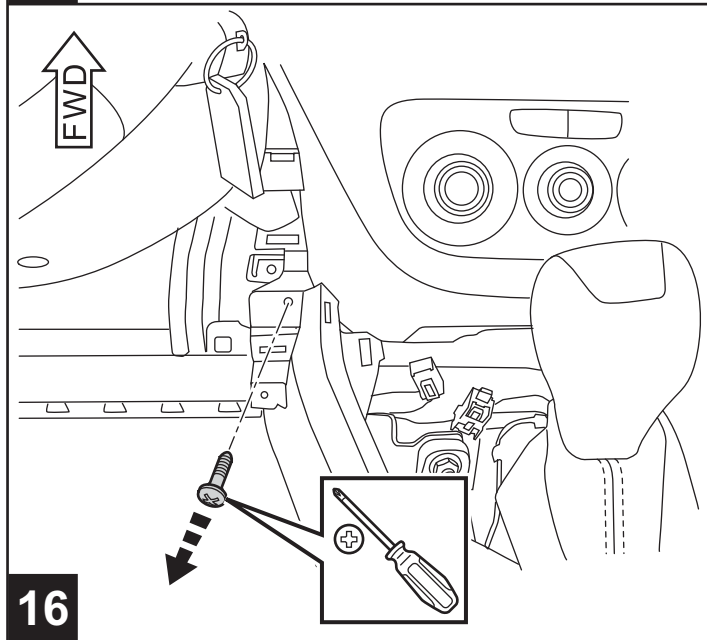
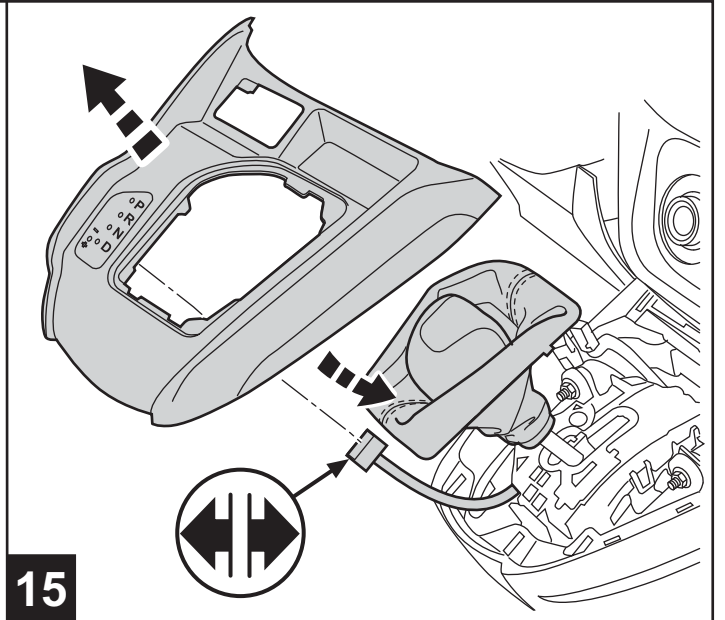
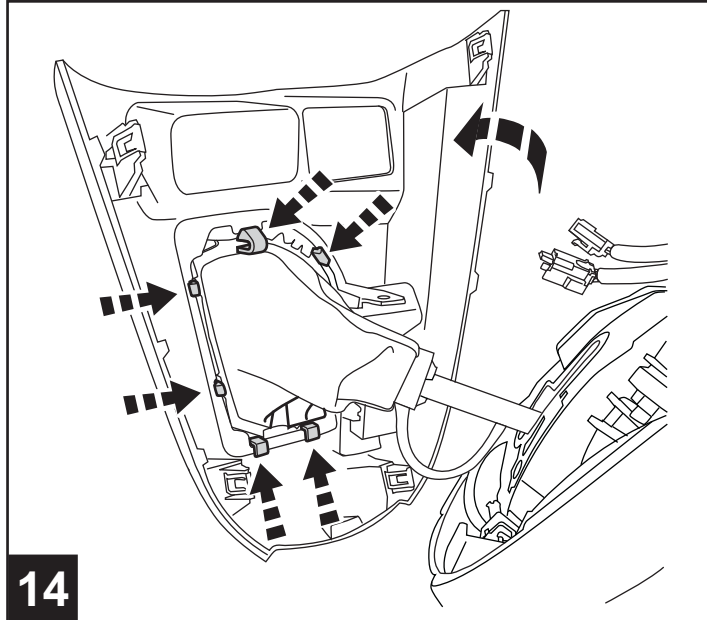
**OPTIONAL**

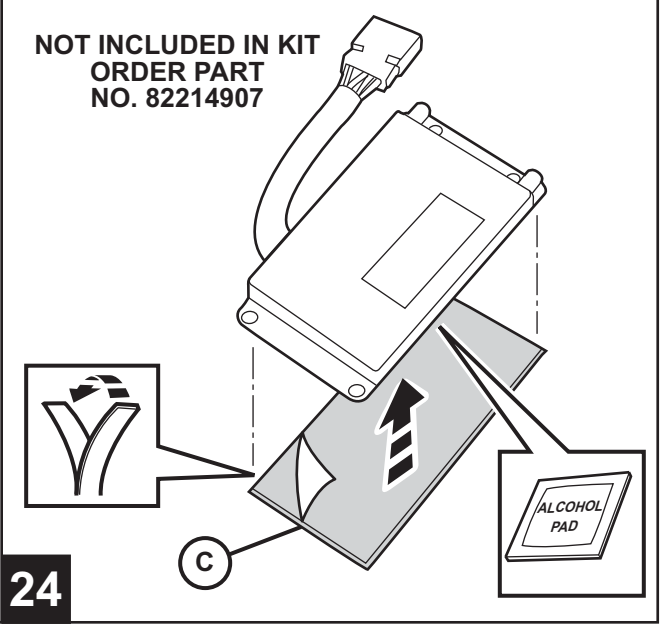
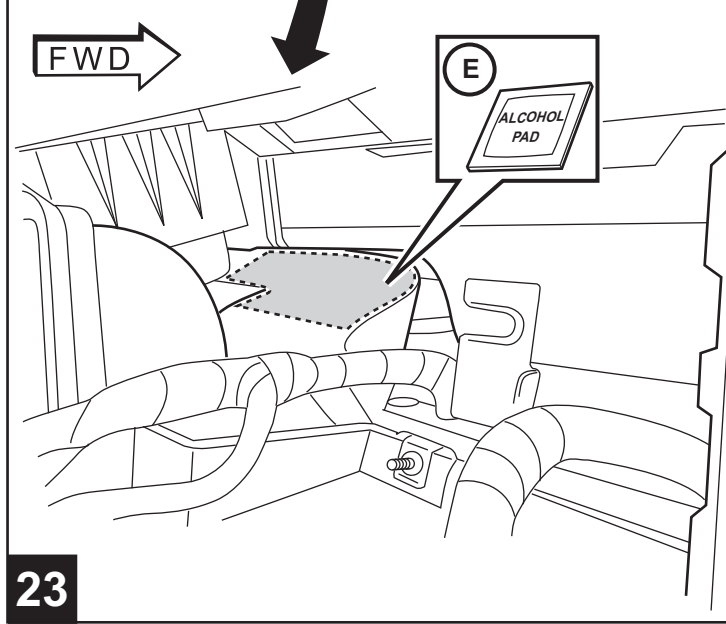
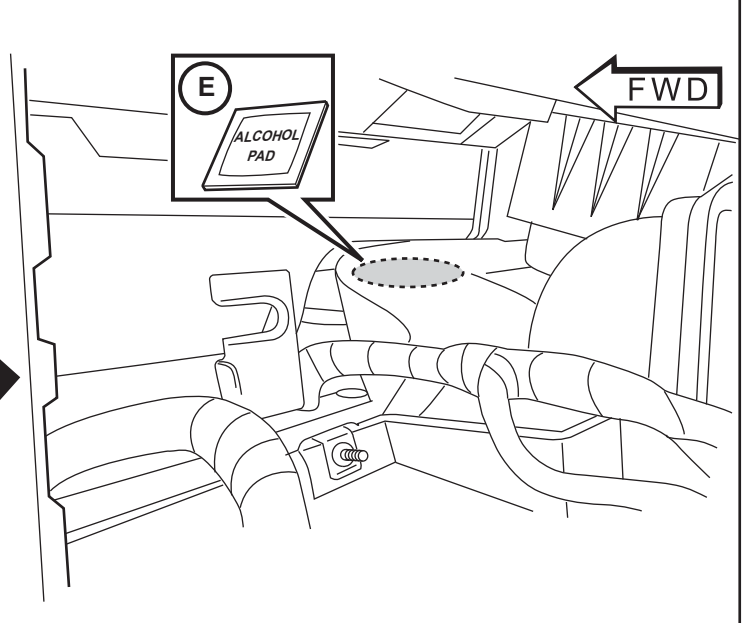
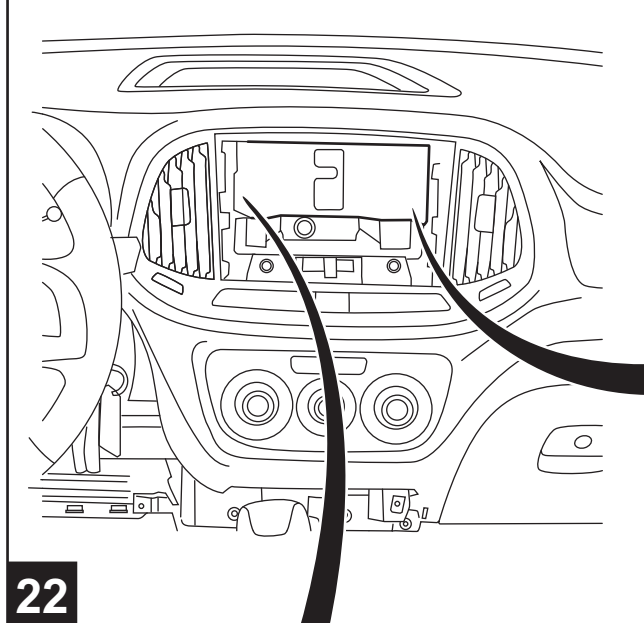
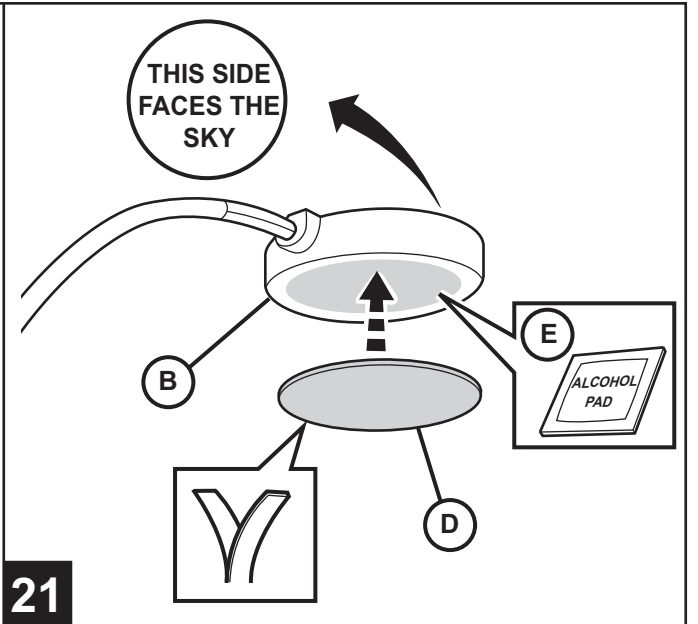
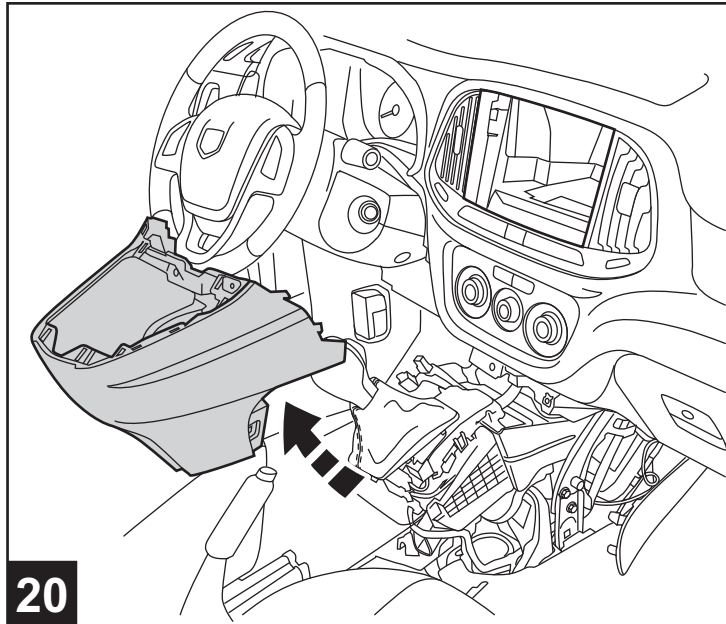
FRONT DRIVER SEAT CAN BE REMOVED TO PROVIDE BETTER ACCESS TO CENTER CONSOLE

**CAUTION: FOLLOW ALL SERVICE PROCEDURES FOR DISABLING SEAT AIRBAG BEFORE REMOVAL**

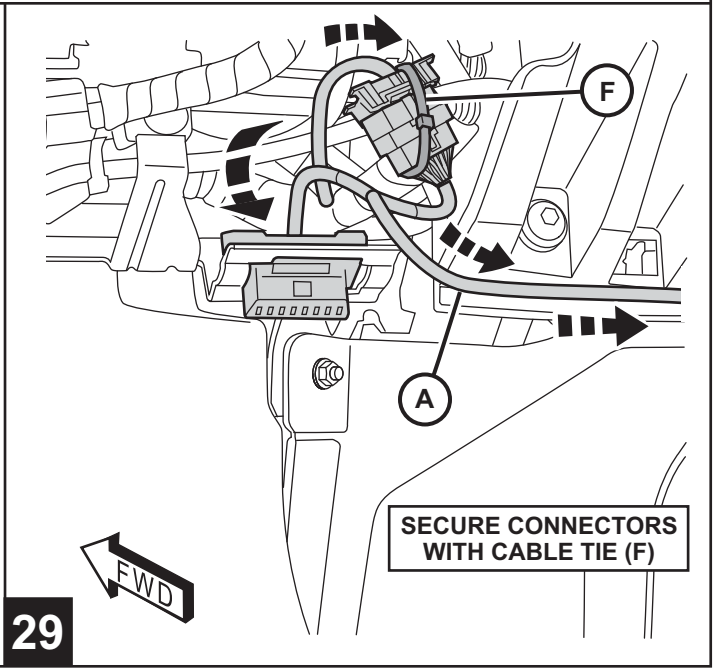
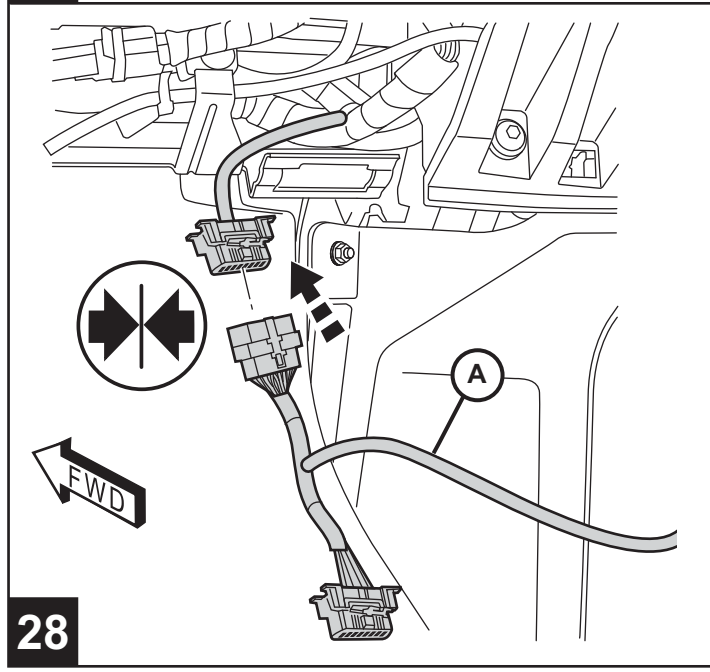
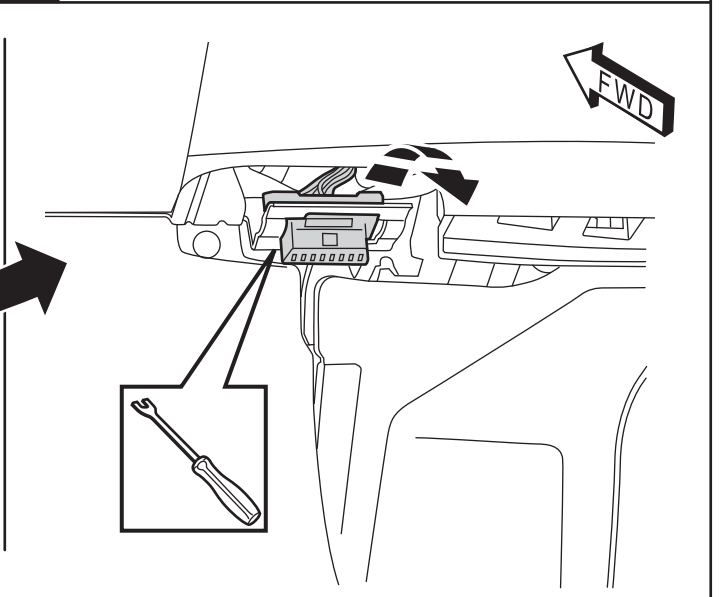
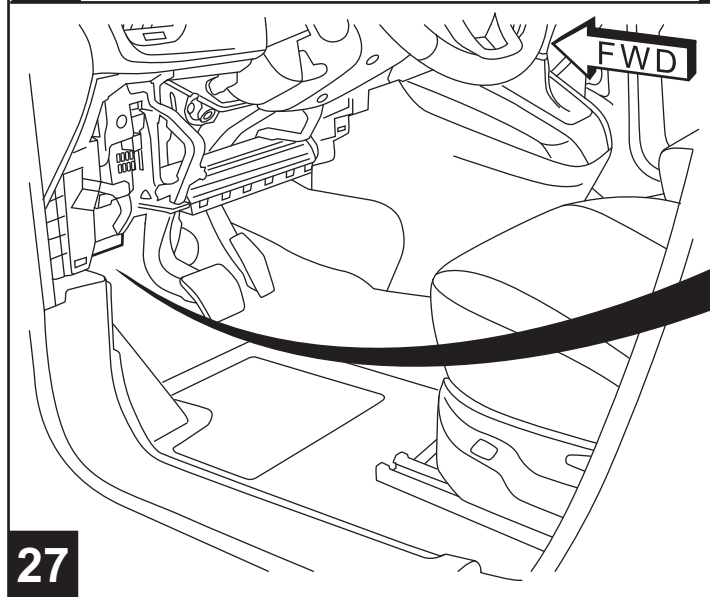
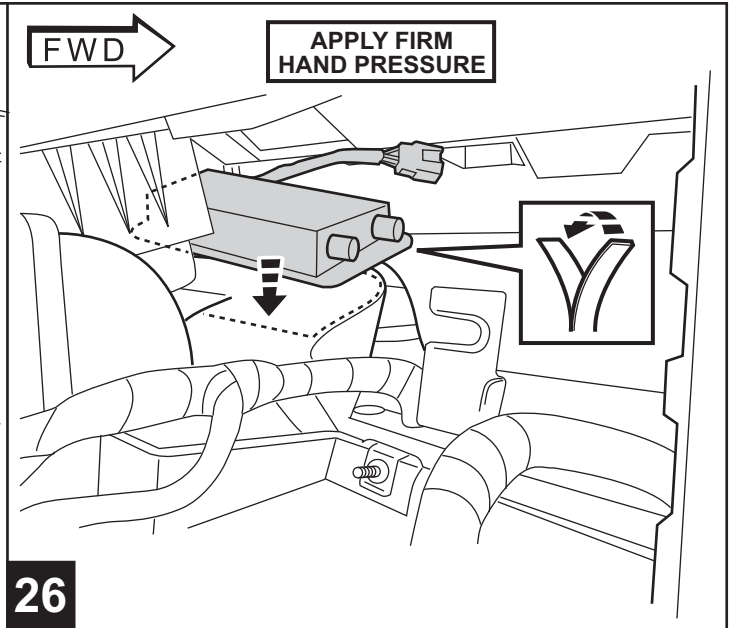
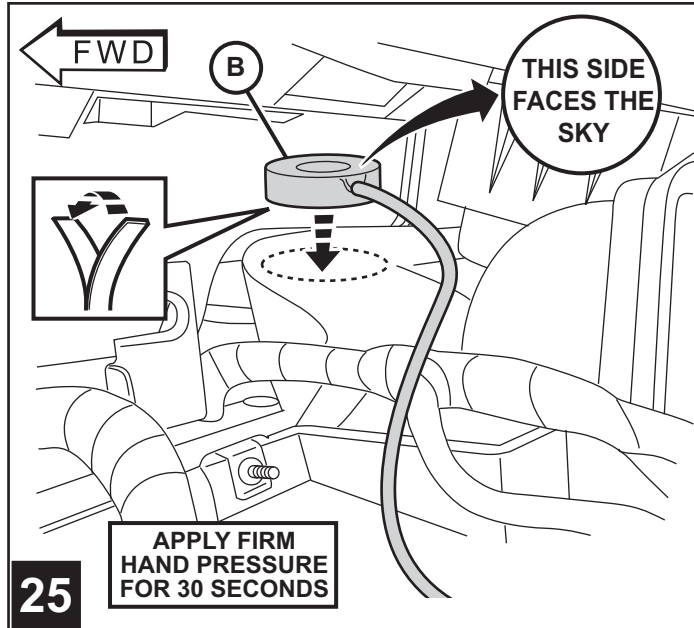
- 3. MOVE SEAT FORWARD
- 4. DISCONNECT WIRING CONNECTORS
- 4. REMOVE TWO (2) BOLTS
- 5. REMOVE SEAT







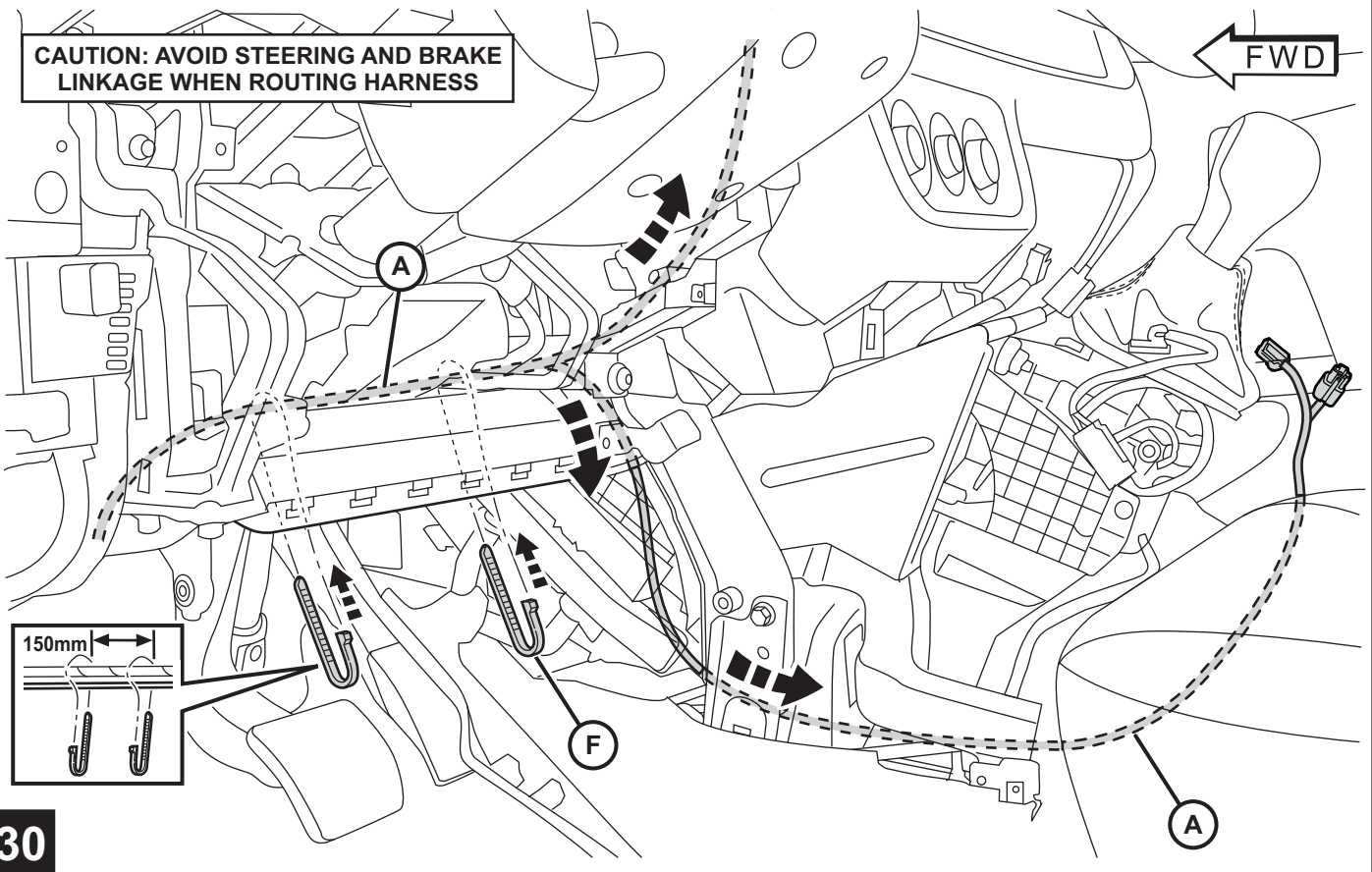




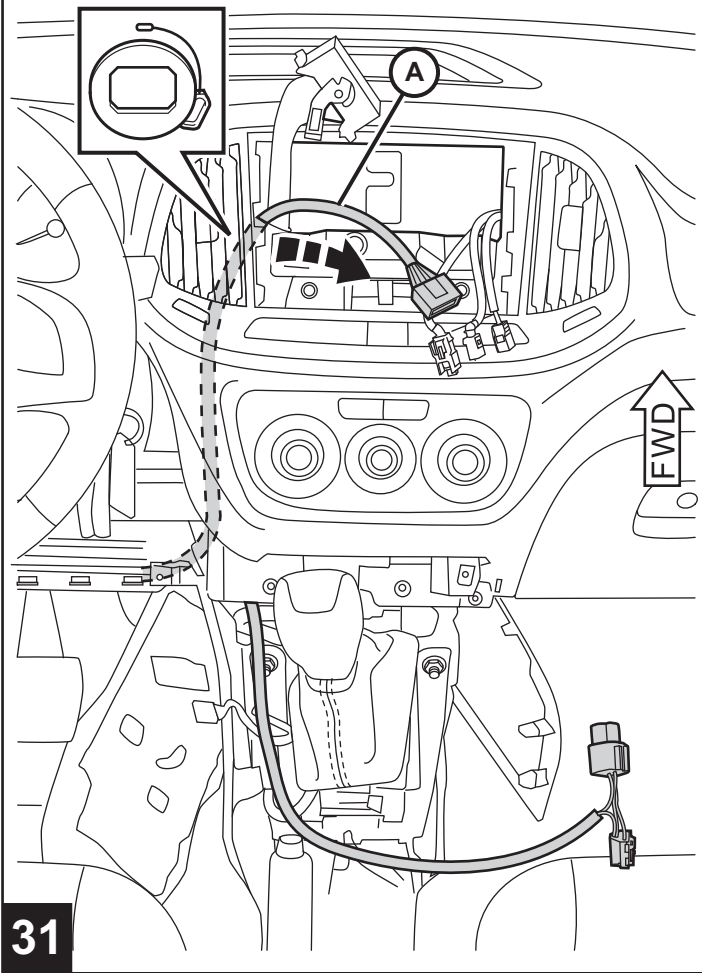


**CAUTION: AVOID STEERING AND BRAKE LINKAGE WHEN ROUTING HARNESS**

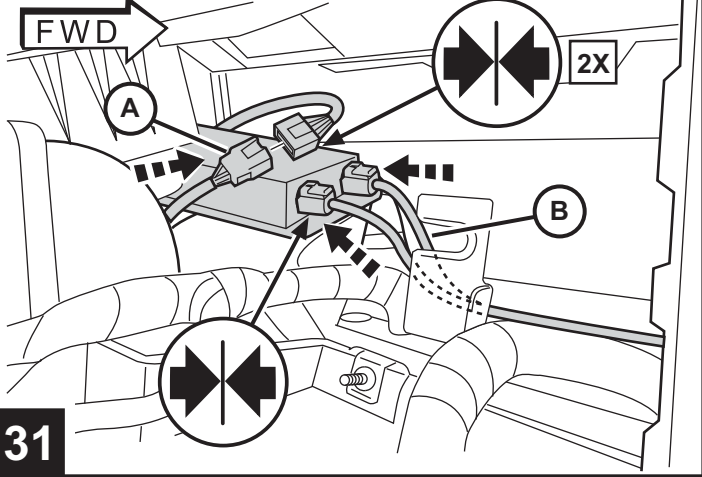
FWD



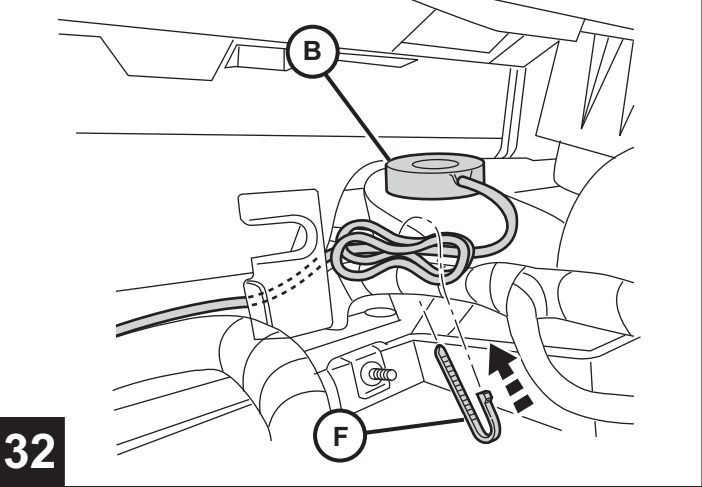
30



31

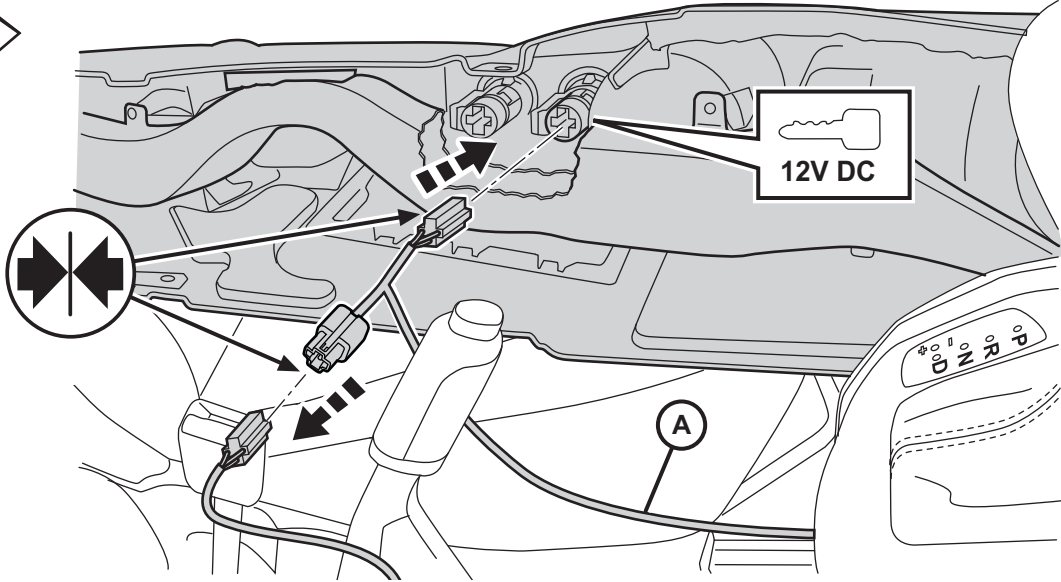


31

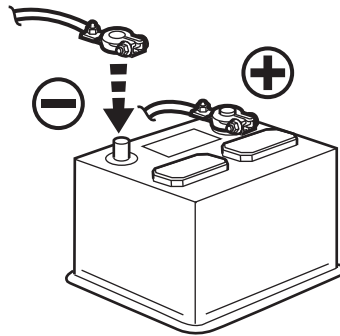


32

FWD →



33



34

**CLOSE ALL DOORS**

**REFER TO END OF LINE (EOL) TEST PROCEDURE  
ON THE FOLLOWING PAGES**

35

## Mopar Web – End Of Line (EOL) Procedure

### To be performed by the installer

The EOL procedure will verify proper function/installation of the Mopar Web Module and Installation Kit in the vehicle.

Equipment Needed To Perform This Procedure:

- Laptop or PC with internet access
- Smart phone

**NOTE: Some screens and commands may be different based on the smartphone operating system. For example, some smartphone operating systems require that you press “login” or “enter” to continue. If assistance is needed, please call Autonet Mobile Customer Care Center at 1-855-756-6727.**

Questions regarding this procedure should be directed to  
Autonet Mobile Customer Care Center at  
1-855-756-6727

---

### Testing the Mopar Web Module After Installation In The Vehicle

1. Open the driver’s door and turn the ignition switch to the RUN position.
2. Leave the ignition key in the RUN position for up to 3 minutes.
3. After 3 minutes have elapsed, open the wireless network list on the smart phone, laptop, or PC. Look for a Network Name (SSID) that either says “**mopar-NNNN**”(where NNNN are the last 4 digits of the Mopar Web Module’s serial number). The serial number can also be found on the Activation Card that will be given to the customer.
4. Open the web browser on the device (smartphone, laptop or PC) and go to:  
**<http://www.autonetrouter.com/eol>**

**NOTE: Some screens and commands may be different based on the smartphone operating system. For example, some smartphone operating systems require that you press “login” or “enter” to continue. If assistance is needed, please call Autonet Mobile Customer Care Center at 1-855-756-6727.**

## Mopar Web – End Of Line (EOL) Procedure (continued)

If the following screen appears after opening the browser on the device or the browser redirects you to this screen:



Do not press Login, rather, in the URL Address Bar of the browser, type  
**<http://www.autonetrouter.com/eol>** and press Enter.

**NOTE: Some screens and commands may be different based on the smartphone operating system. For example, some smartphone operating systems require that you press “login” or “enter” to continue. If assistance is needed, please call Autonet Mobile Customer Care Center at 1-855-756-6727.**

If the following screen appears while trying to access the URL above, go back to Step 1 and start over, otherwise, continue to the next Step.



## Mopar Web – End Of Line (EOL) Procedure (continued)

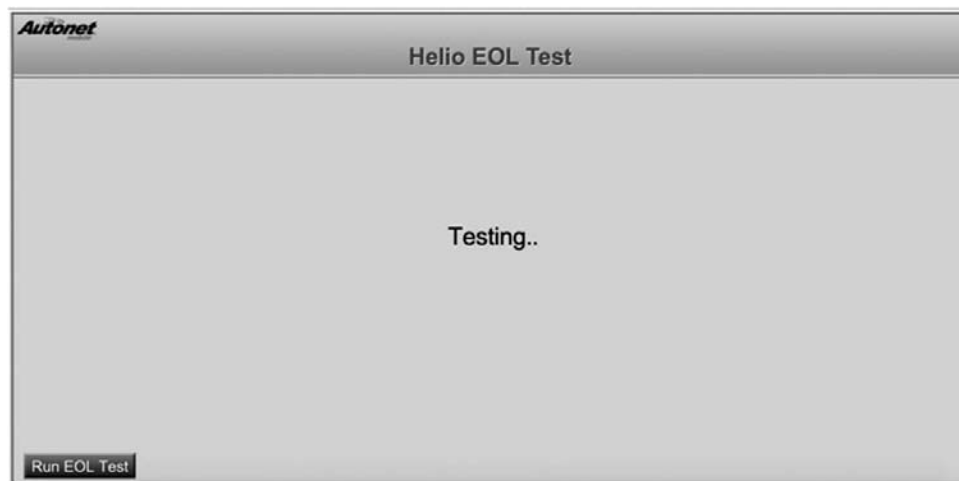
5. Successful access to <http://www.autonetrouter.com/eol> will display the following screen:



6. The EOL test verifies communication via network/WiFi as indicated by the Pass/Fail message in the center of the screen when the EOL test is executed from the browser screen.

For proper function of the Mopar Connect module, the EOL test must pass.

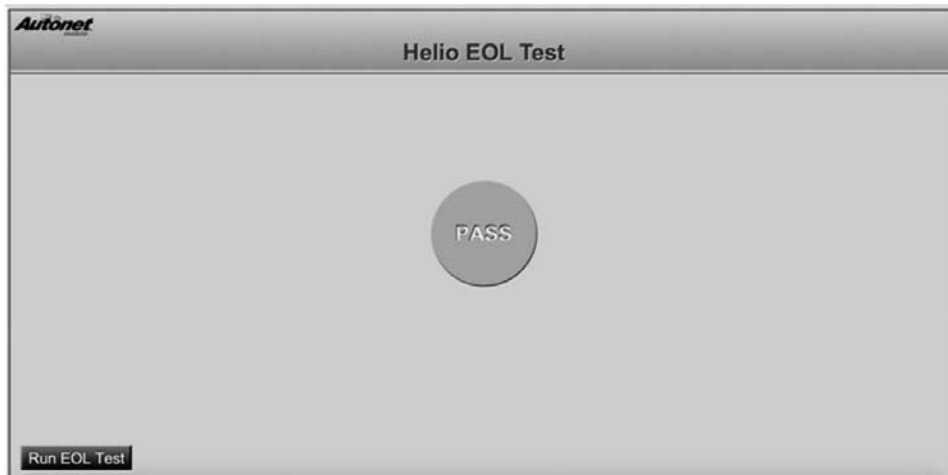
7. Click on the button “Run EOL test” and the following will be displayed:





## Mopar Web – End Of Line (EOL) Procedure (continued)

8. If the EOL test passes, the following will be displayed:



If the EOL test passes, then EOL testing is complete. Otherwise, continue to Step 9.

9. If the EOL test fails, the following screens will be displayed:



- A red color Fail status displayed indicates that the network/WiFi portion of the EOL test failed.

## Mopar Web – End Of Line (EOL) Procedure (continued)

For all other errors or for further assistance,  
contact the Autonet Mobile Customer Care Center at

**1 -855-756-6727**

and provide the Customer Care Agent with  
the error code that is displayed on the screen.

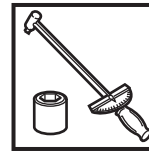
**CHECK ALL WIRING AND  
TRIM ALL CABLE TIES.**

**REVERSE STEPS 2 THROUGH 20  
TO REINSTALL ALL BODY PANELS  
AND COMPONENTS.**

**AFTER FINAL ASSEMBLY,  
CLEAR ALL FAULT CODES**

**36**

**NOTE: IF DRIVER SEAT WAS REMOVED  
IN OPTIONAL STEPS 8 AND 9,  
APPLY 39 N m (29 ft. lbs.) OF FORCE  
TO ALL FASTENERS WHEN REINSTALLING**



**39 N m  
(29 ft. lbs.)**

**37**

**GIVE ACTIVATION CARD TO CUSTOMER  
FOR FINAL ACTIVATION PROCEDURE.**

**38**