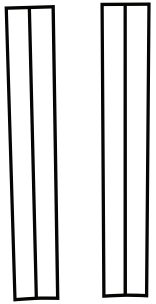
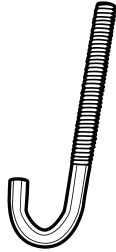


PARTS INCLUDED / PIECES INCLUSES / PIEZAS INCLUIDAS



(A)



(B) x2



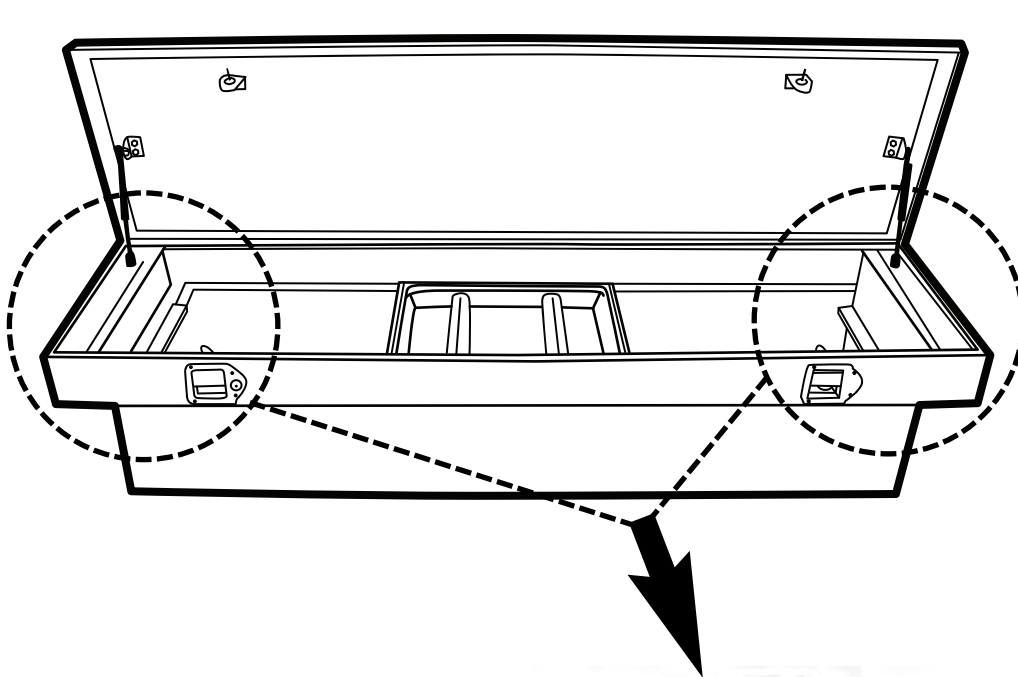
(C) x2



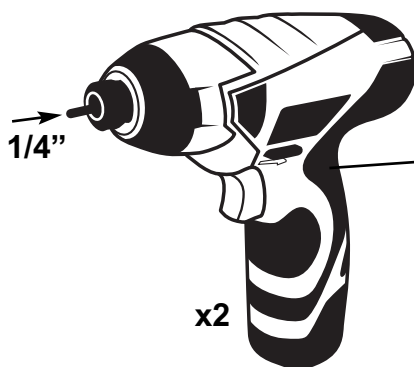
(D) x2



(E)



MAX LOAD
450 lbs (204 kg)



x2

