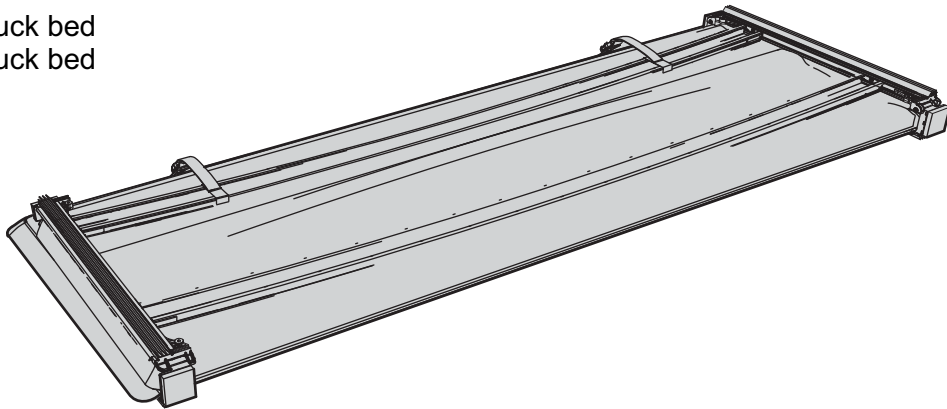




## Soft Folding Truck Bed Cover Standard Bed Install

www.mopar.com

82215863 - 5' 7" truck bed  
82215864 - 6' 4" truck bed



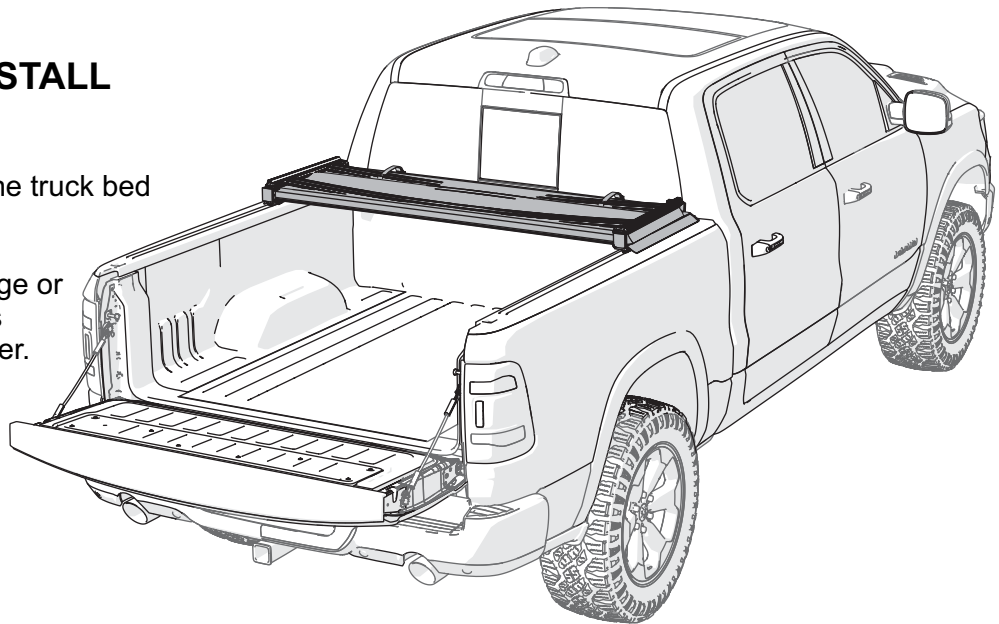
### STANDARD BED INSTALL

#### 1.0 COVER PLACEMENT

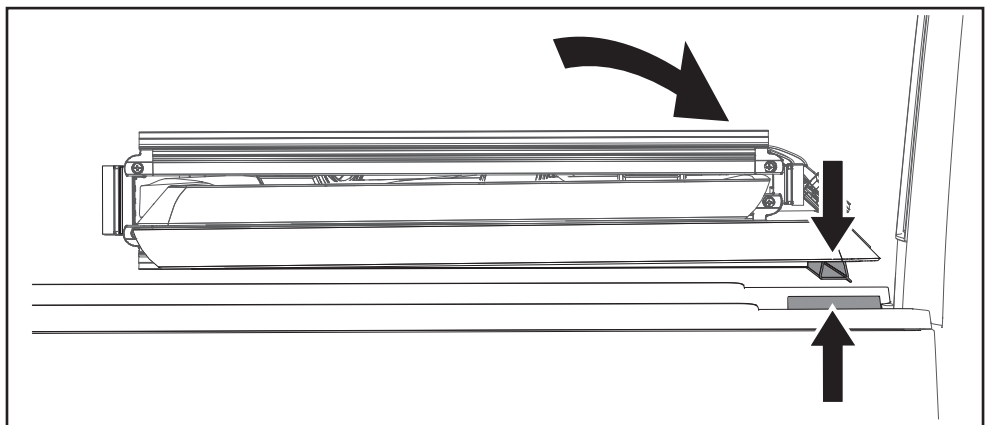
1.1 Place the cover onto the truck bed rails and bulkhead.

**NOTE:**

Take care not to damage or deform the cover seals while installing the cover.



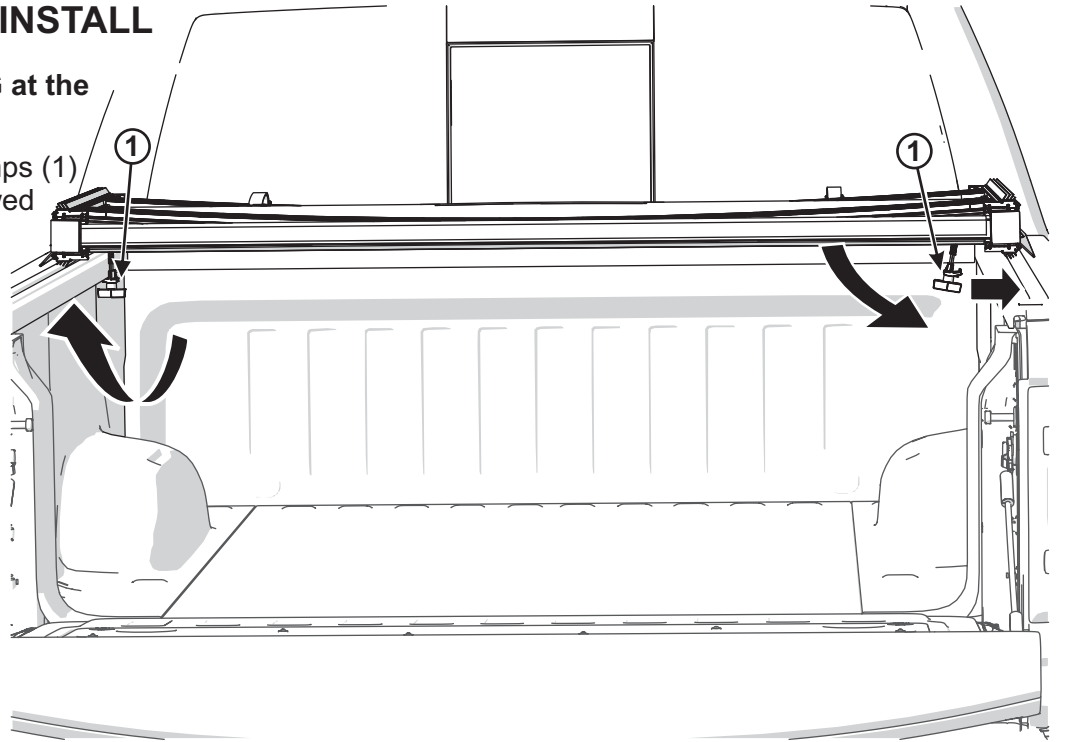
**NOTE:** When placing the cover onto the bulkhead, make sure the cover cab seal fully contacts and seals to the top of the bulkhead.



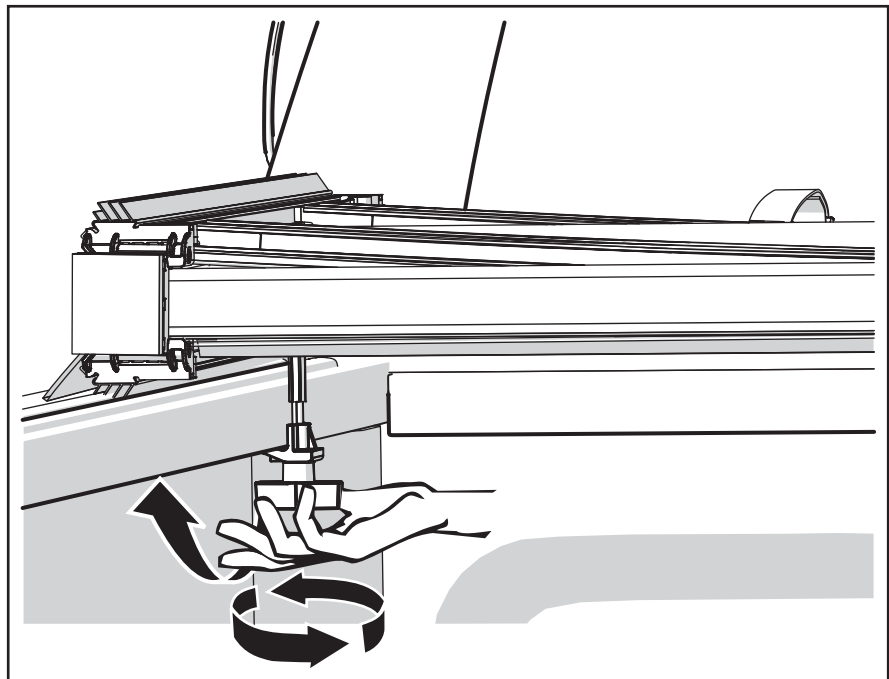
## STANDARD BED INSTALL

### 2.0 COVER LATCHING at the FRONT/CAB END.

- 2.1 Swing the cab clamps (1) down from the stowed position and slide them toward the truck bed rail. Swing the clamps so the clamp jaw is under the truck bed rail.



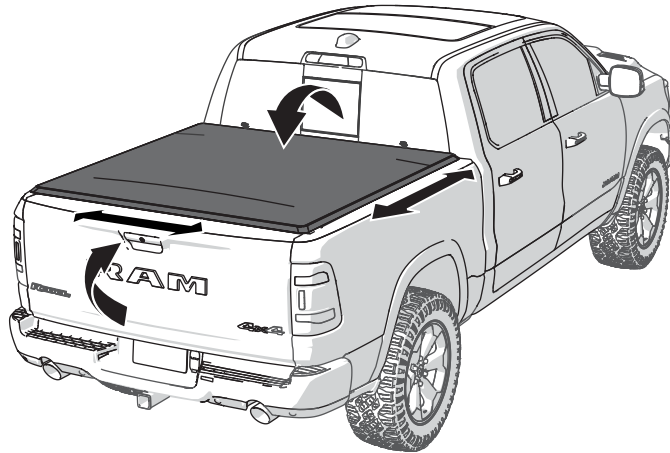
- 2.2 The clamp jaw must be in contact with the metal truck bed rail, **Do Not** secure to the plastic bed rail or bed cap.  
**Do Not use a wrench or over-tighten.**  
 Hand tighten until the clamp jaw contacts the metal flange, then tighten an additional two turns.  
 Securely tighten both sides.



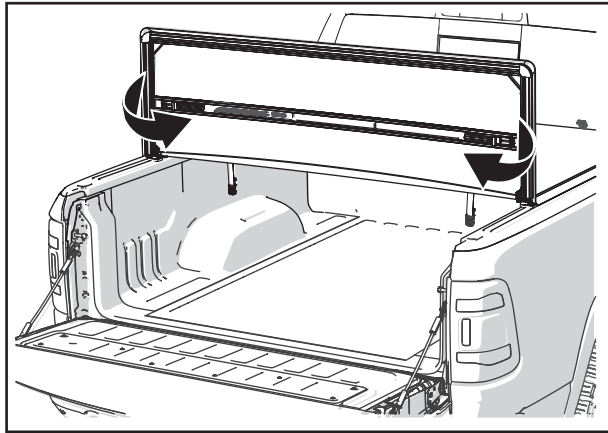
## STANDARD BED INSTALL

### 3.0 COVER LATCHING at the REAR/TAILGATE END.

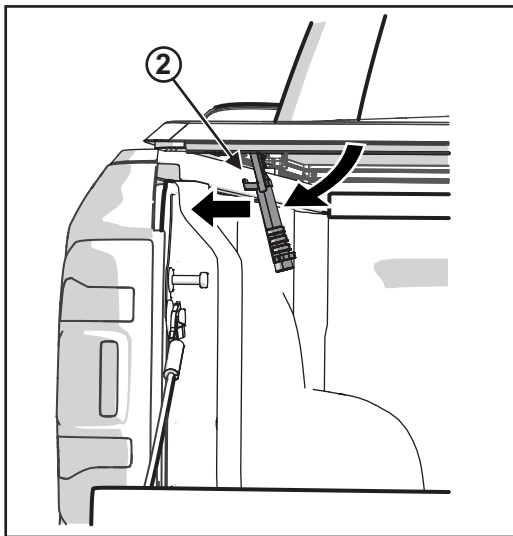
- 3.1 Close the tailgate and unfold the cover. Check that the cover is parallel and square with the truck bed and bed rails. If not parallel or square, open the cover and loosen the cab clamps to reposition the cover.



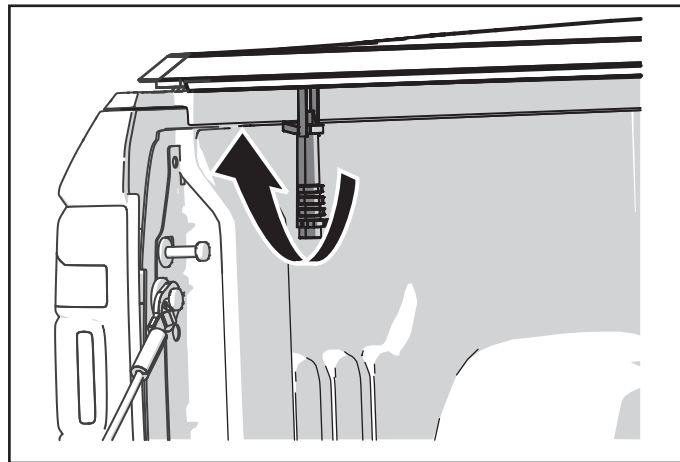
**NOTE: When opening the cover, be sure to stow the tail clamps into the cover bow to prevent damage to the tarp when folded.**



- 3.2 Open the tailgate, swing the tail clamps (2) down from the stowed position and slide them toward the truck bed rail. Swing the clamps and pull down so the clamp jaw is under the truck bed rail.



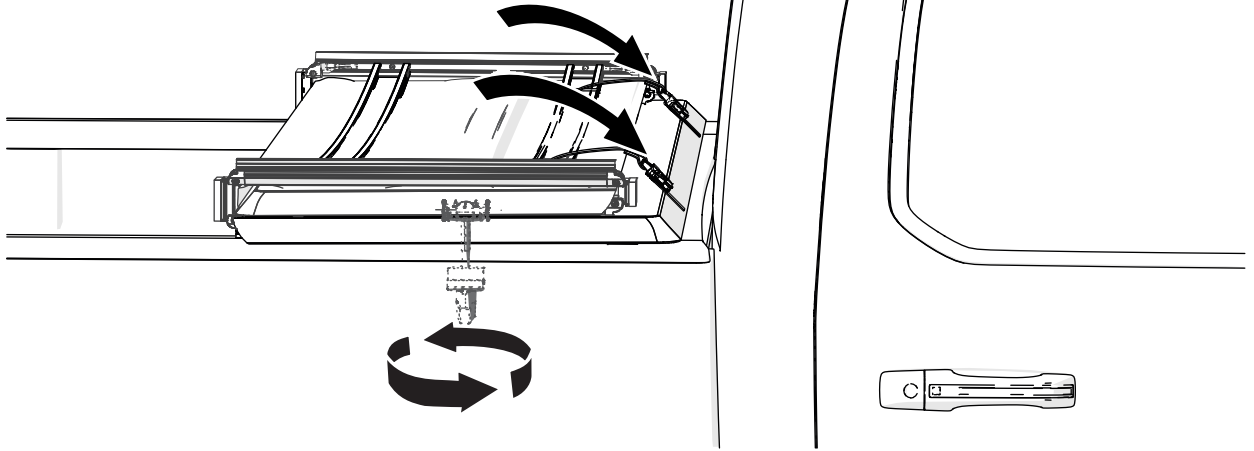
The clamp jaw must be in contact with the metal truck bed rail. **Do Not** secure to the plastic bed rail or bed cap. Check that both clamps are securely tightened to the metal bed rail.



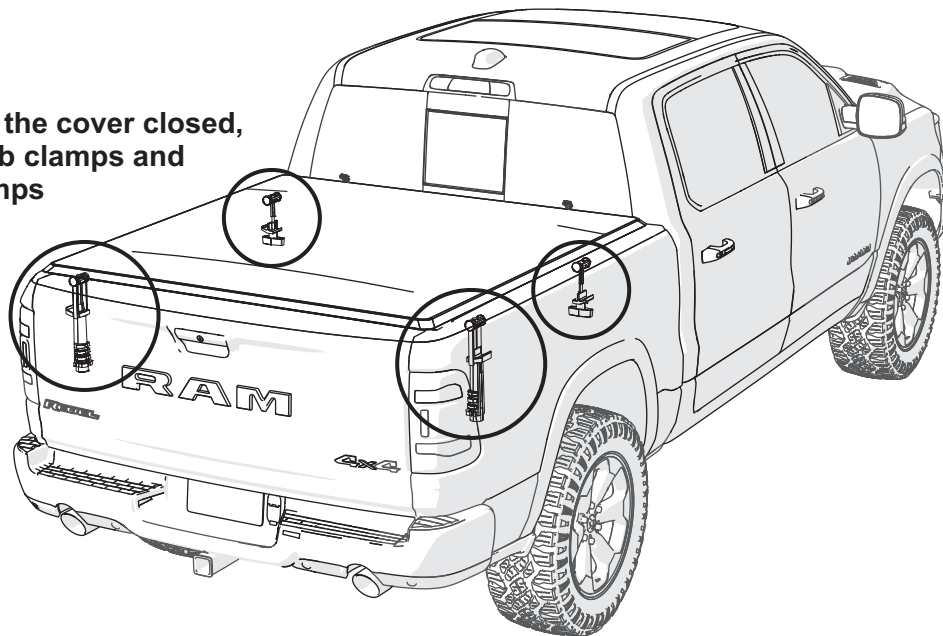
- 4.0 INSTALLATION COMPLETION** Installer to fold this I-Sheet and place it in the vehicle's glove box.

### DRIVING WITH THE BED COVER

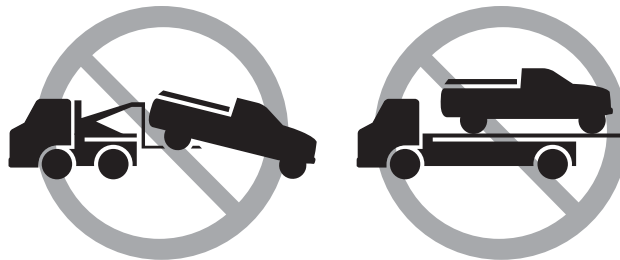
For driving with the cover open, both cab clamps must be secured, and both straps must be latched.



When driving with the cover closed, both the pair of cab clamps and the pair of tail clamps must be secured.



Never tow or carry a vehicle backward with a bed cover installed.



**NOTE !**

**Tighten the clamps after the first week of driving with the cover, and periodically check all clamps for a secure fit.**

**OWNER/USER RESPONSIBILITIES**

1. It is the responsibility of the owner/user to read this manual and comply with the operating procedures. The owner/user is also responsible for inspecting their bed cover, and for having parts repaired or replaced when worn or damaged.
2. Failure to follow safety instructions and warning labels could result in the failure of your cover system and/or personal injury.

**CARE AND MAINTENANCE**

1. **Never use silicon, petroleum, or citrus based products on the bed cover.**
2. The vinyl cover can be hand washed with mild soap and water or cleaned in a car wash. Thoroughly rinse the cover to remove any soap residue. The cover can be treated with any vinyl protectant specifically made for tonneau covers.

**WARRANTY**

This product is warranted to be free from defects in material and workmanship for the lesser of 3 years or 36,000 miles from the retail date of purchase. Warranty is nontransferable and applies to the original purchaser of the bed cover product only.

The manufacturer reserves the right to determine whether a product needs to be repaired or replaced. No labor or service allowance is given or implied. The warranty does not cover any damage to the product caused by accident, collision, alteration, modification, customer abuse or neglect, off-road driving, commercial use, theft, vandalism, natural disaster or loss of product or parts. The warranty is void if the installation instructions or operating instructions are not followed. The manufacturer assumes no liability for injury, loss, incidental or consequential damages. The manufacturer reserves the right to substitute an entire replacement system or provide other remedies than those listed in this warranty for discontinued products or other reasons.

Please feel free to contact us should you require any assistance with your bed cover. Phone: 833-204-2606. Email: FCACare@truck-Hero.com.

**PRODUCT USE**

1. Do not place objects on or against the cover or framework.
2. Do not tie cargo to the cover frame.
3. Never allow children or pets to occupy the pickup box while the cover is closed.
4. The cover is not airtight. Special care is required to keep cargo clean and dry.
5. A fabric cover will not prevent theft of contents inside the truck bed.