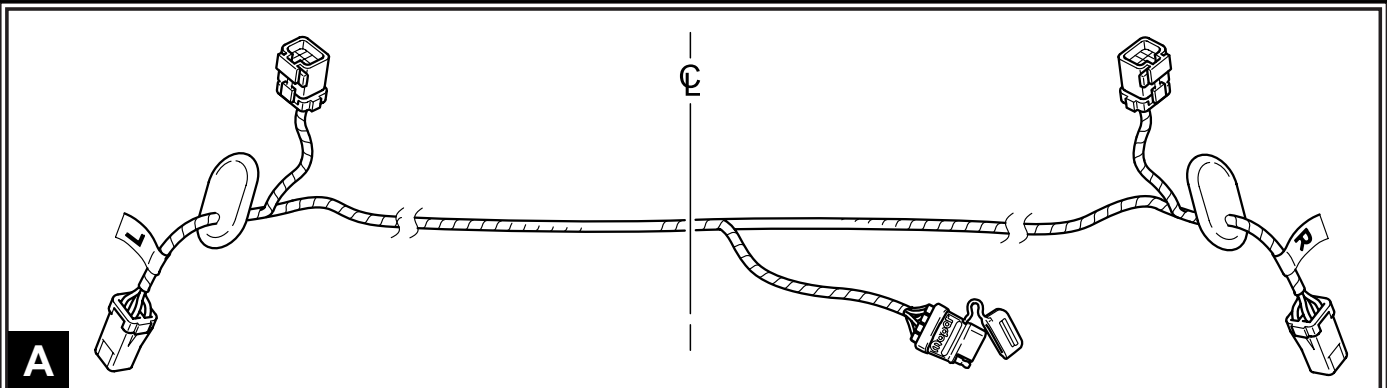


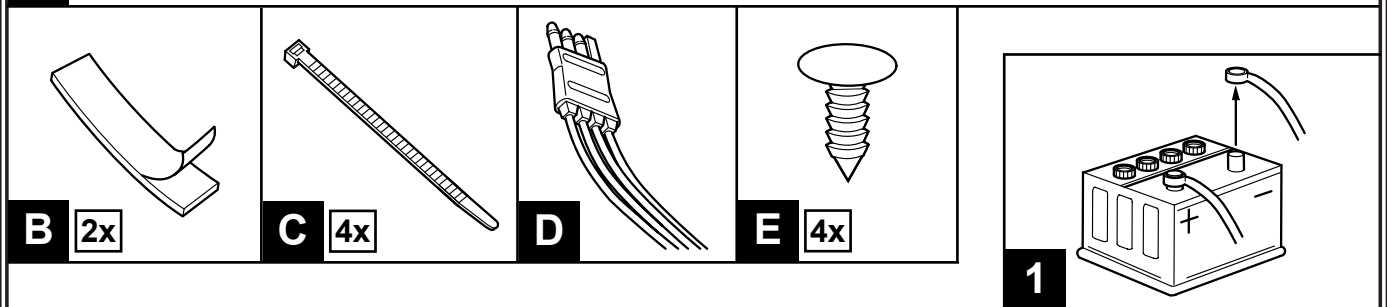


MOPAR®

MINIVAN 4-Way Trailer Tow Harness



A



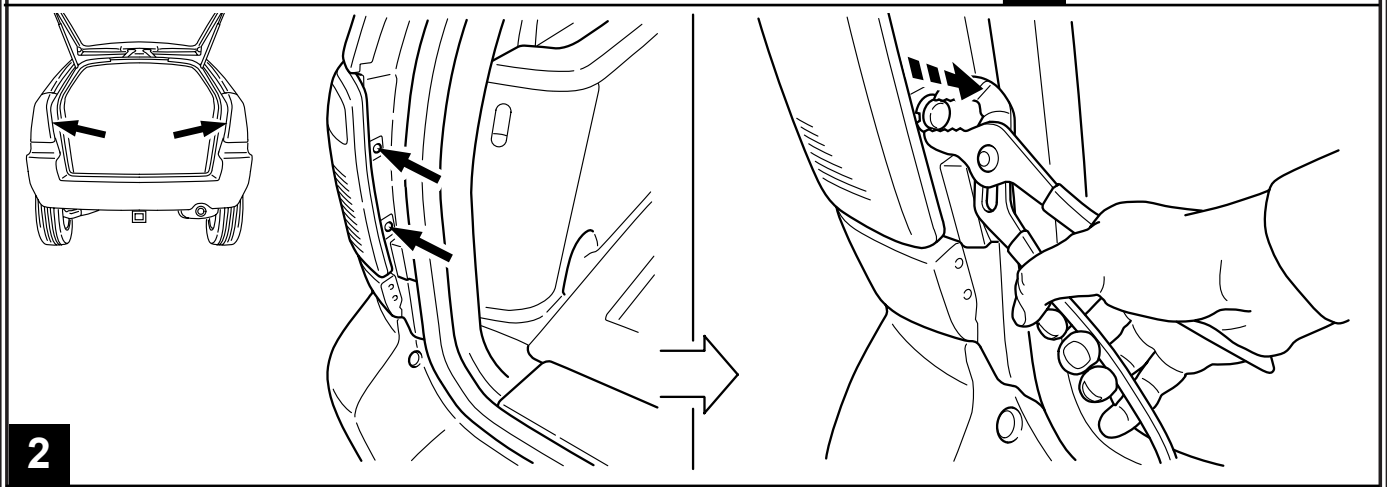
B 2x

C 4x

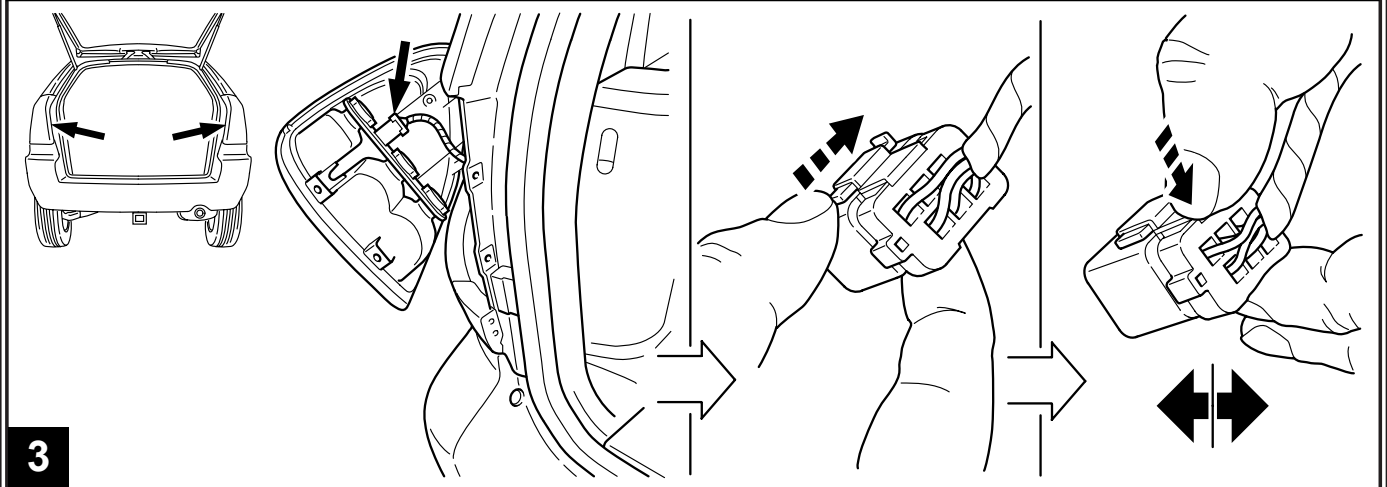
D

E 4x

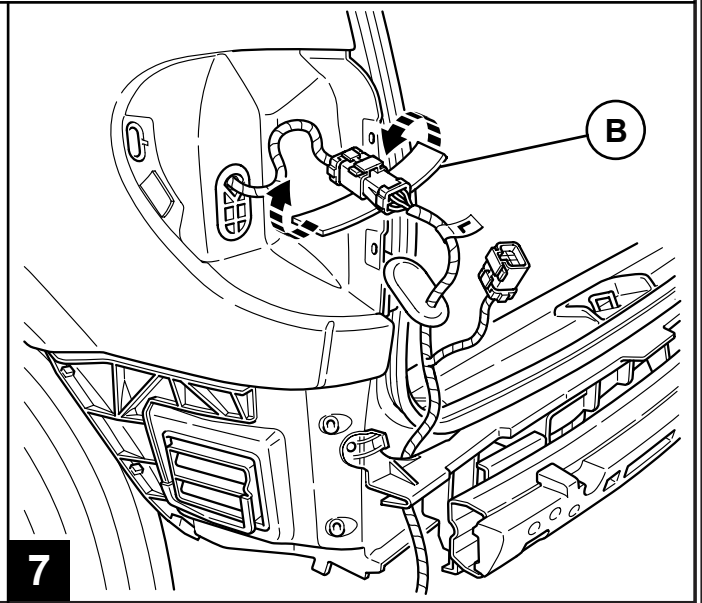
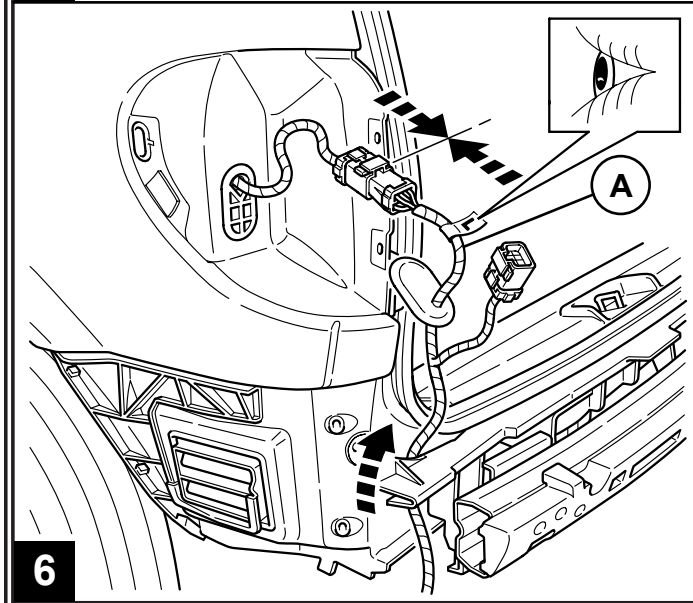
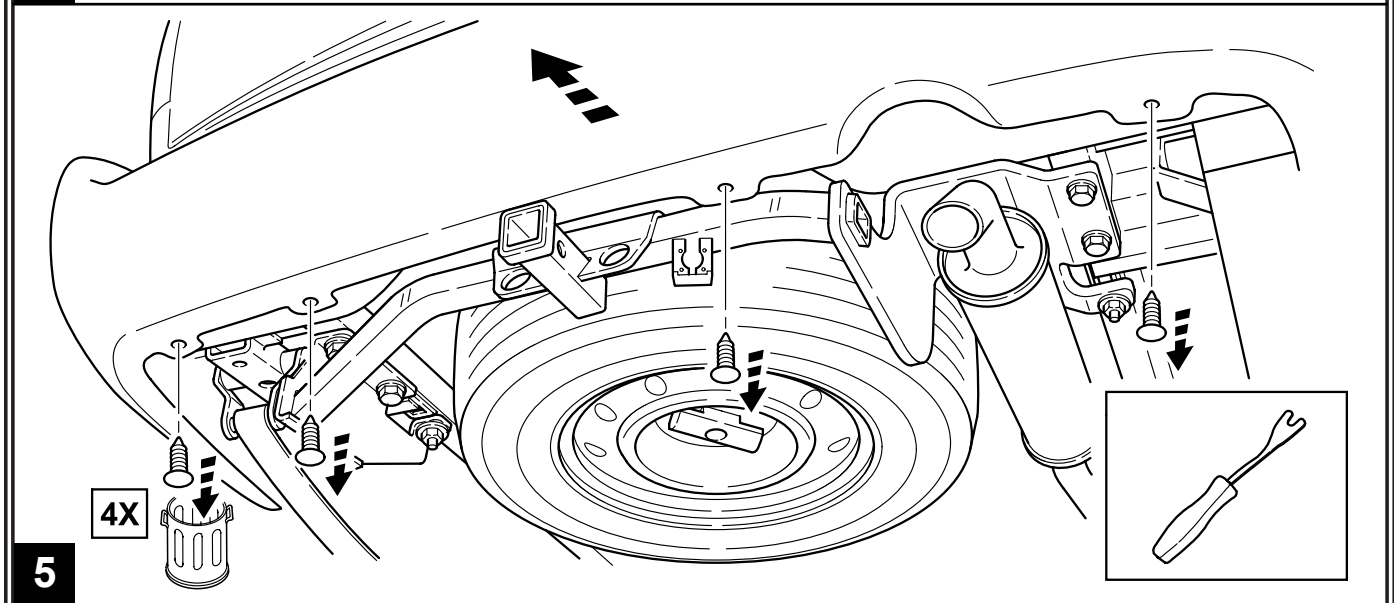
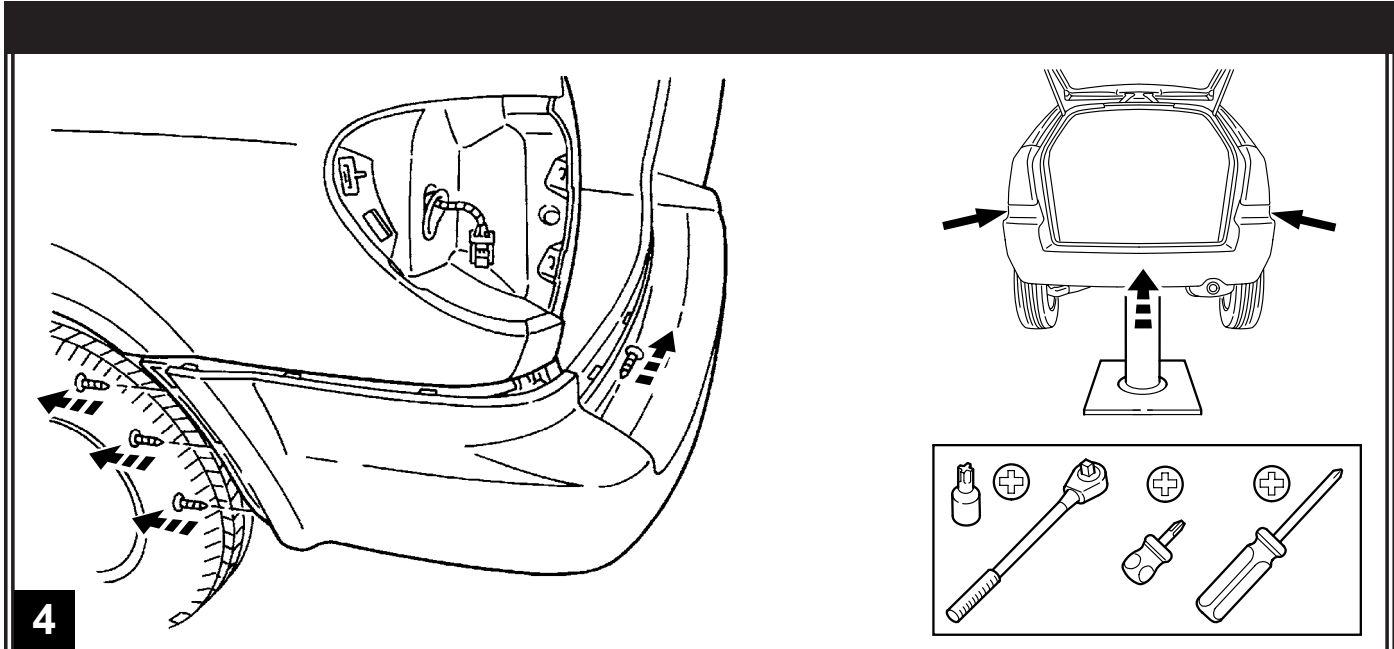
1

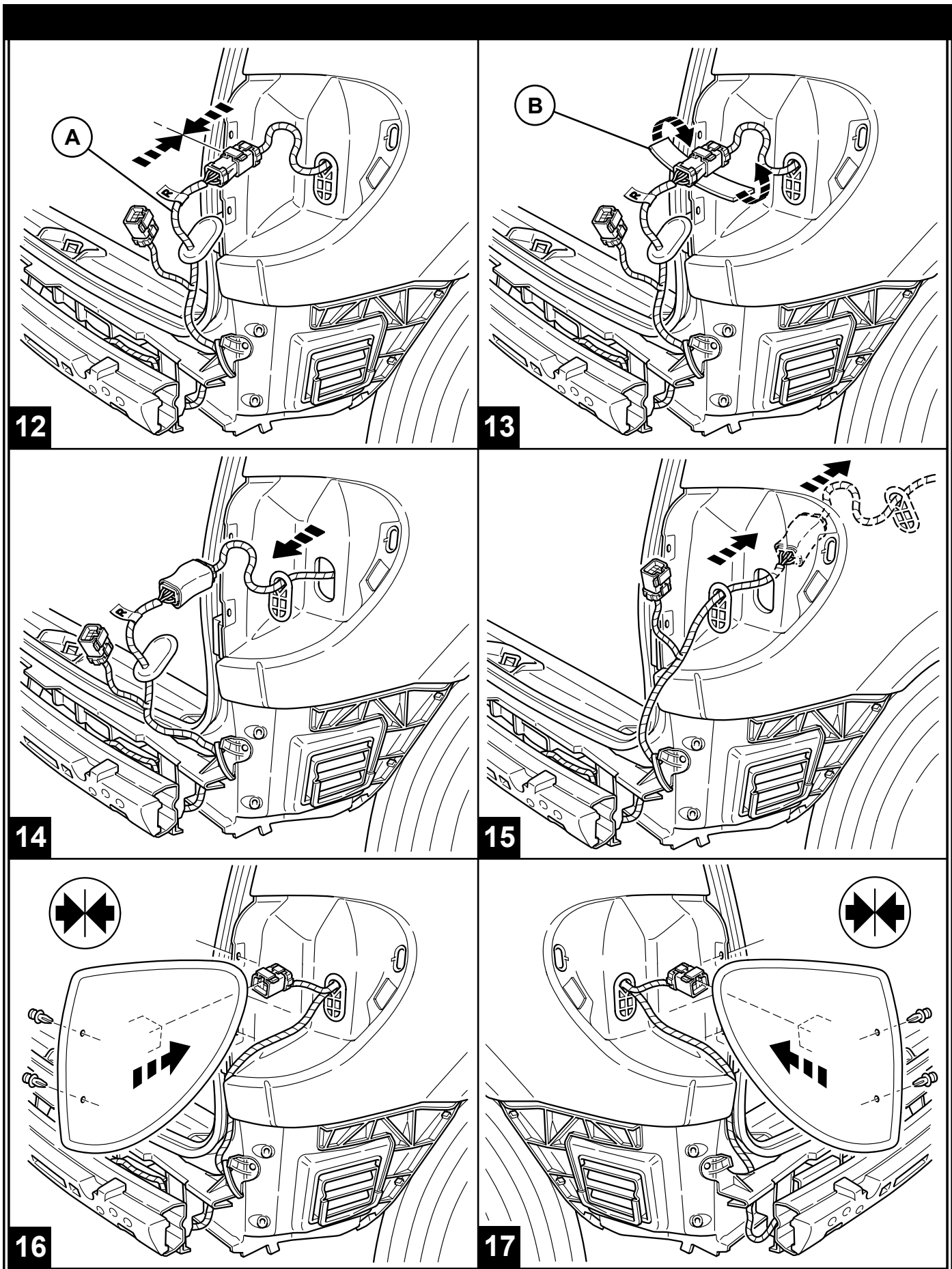


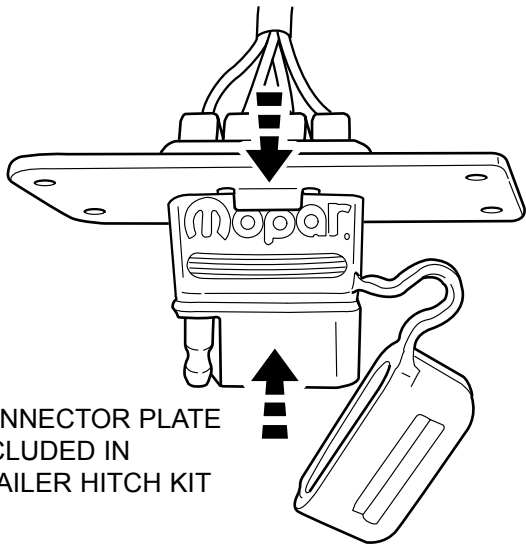
2



3

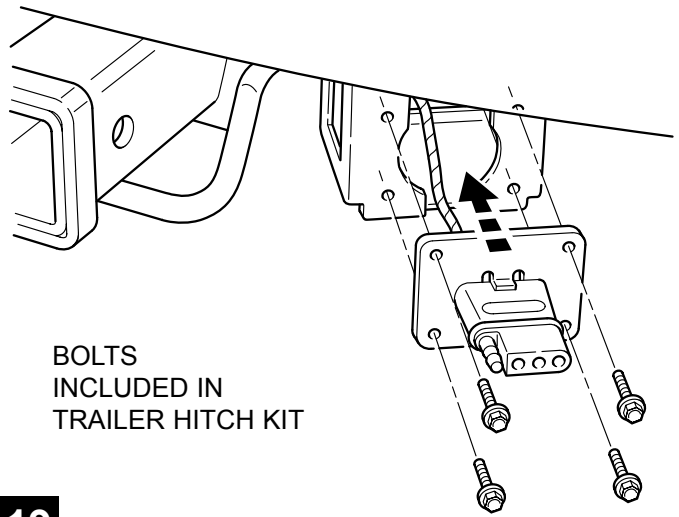






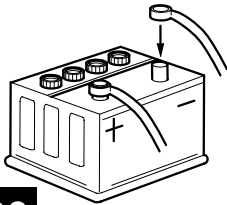
CONNECTOR PLATE INCLUDED IN TRAILER HITCH KIT

18

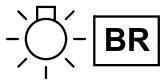


BOLTS INCLUDED IN TRAILER HITCH KIT

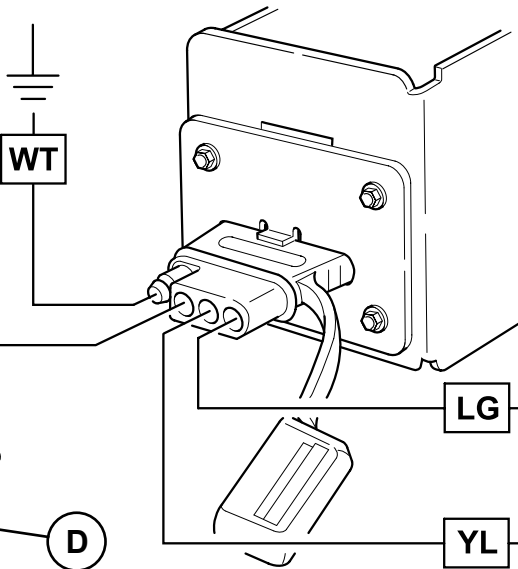
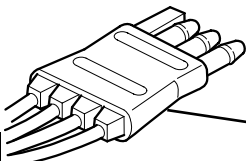
19



20

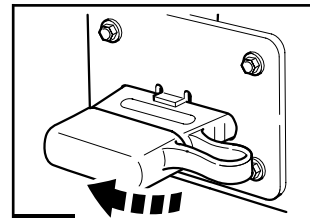


21

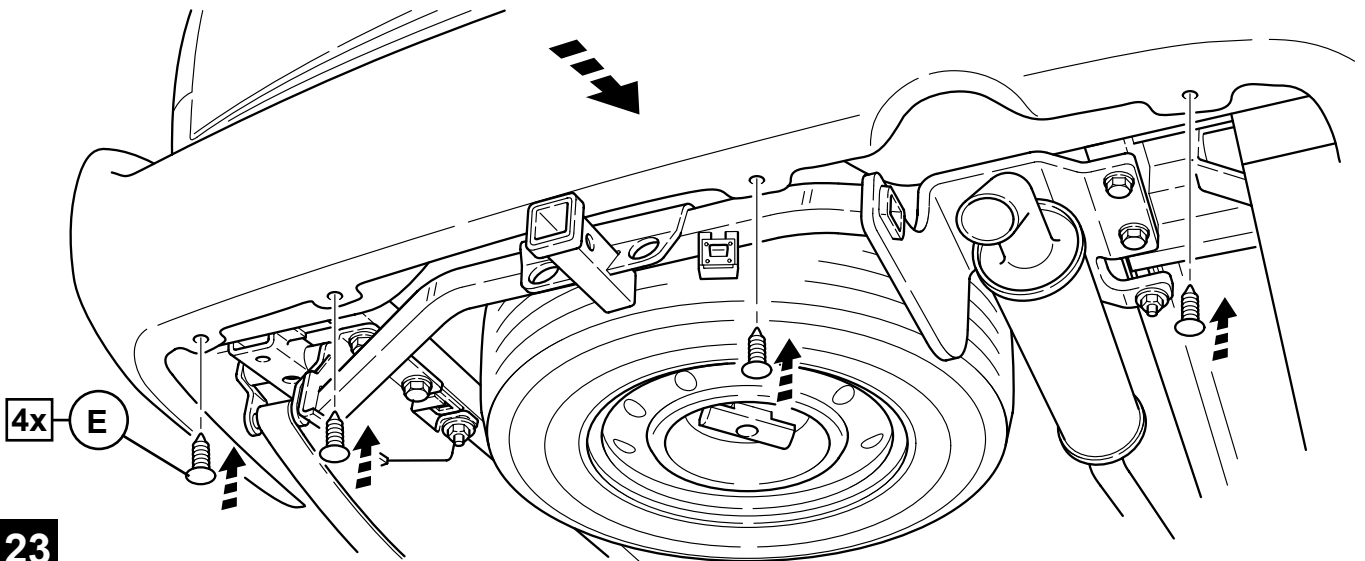


LG STOP R →

YL STOP ← L



22



23