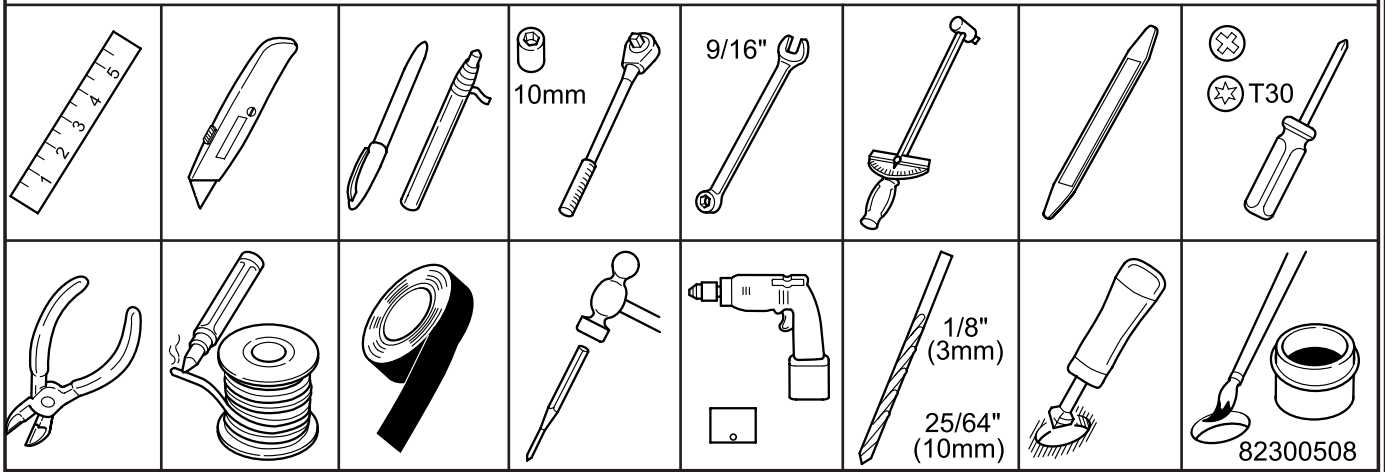
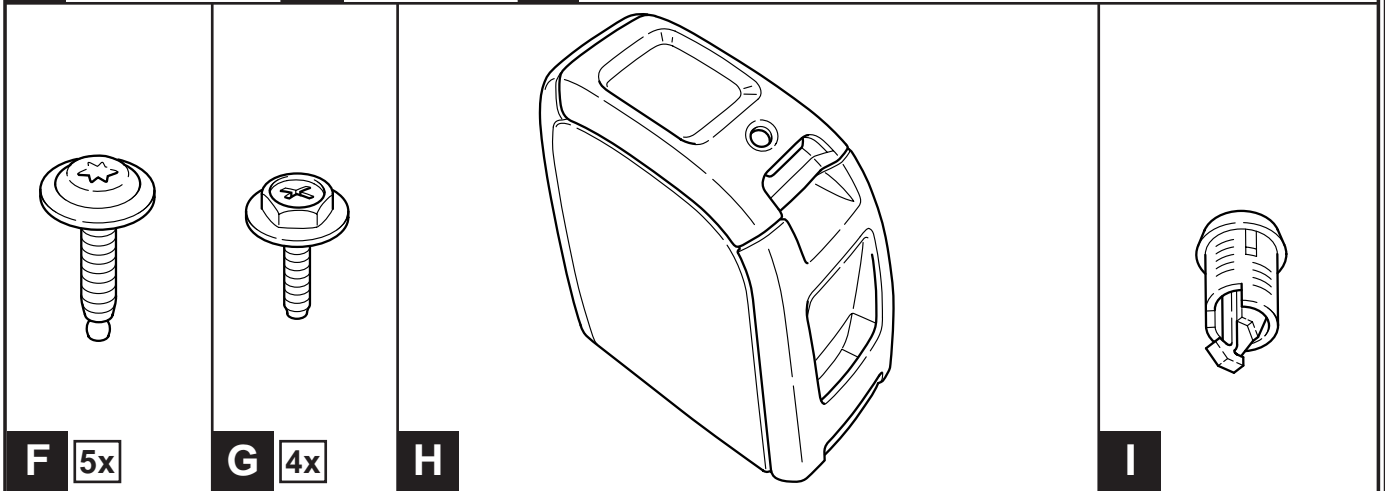
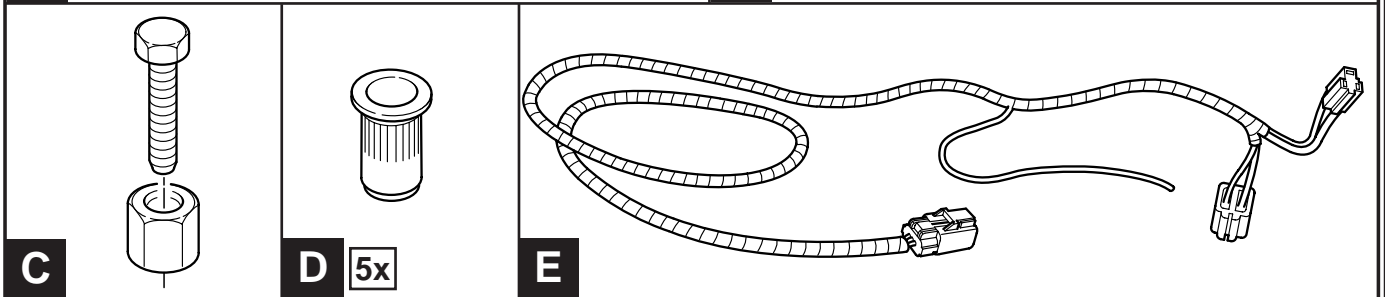
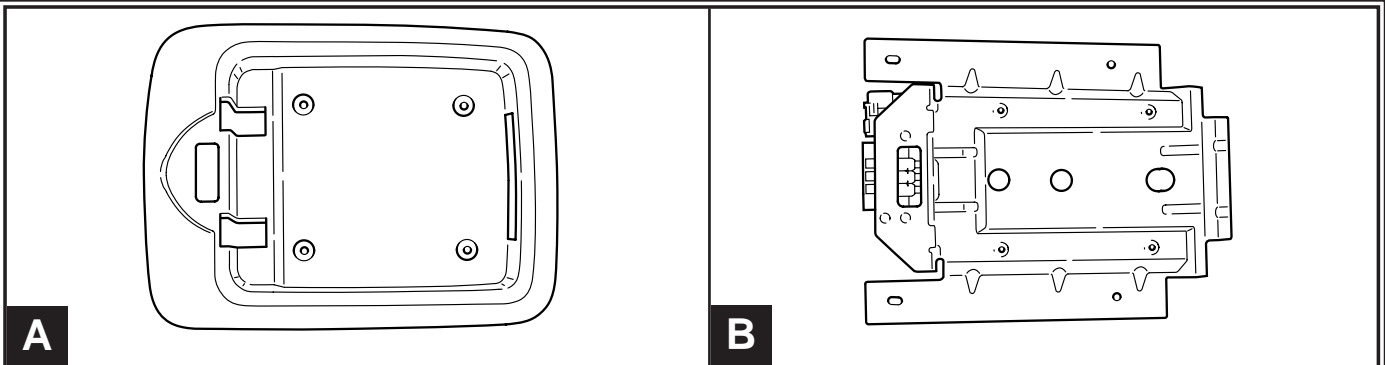
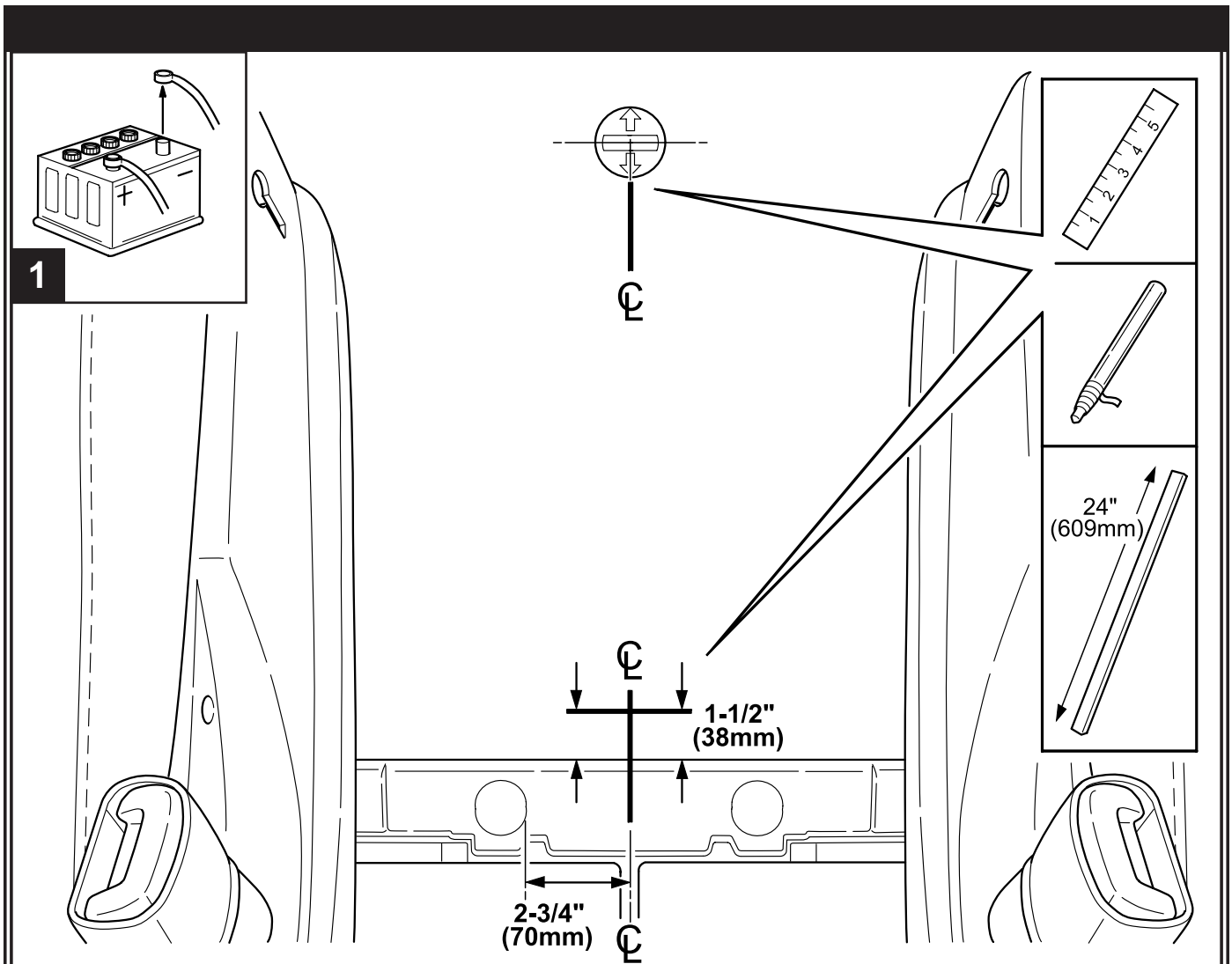




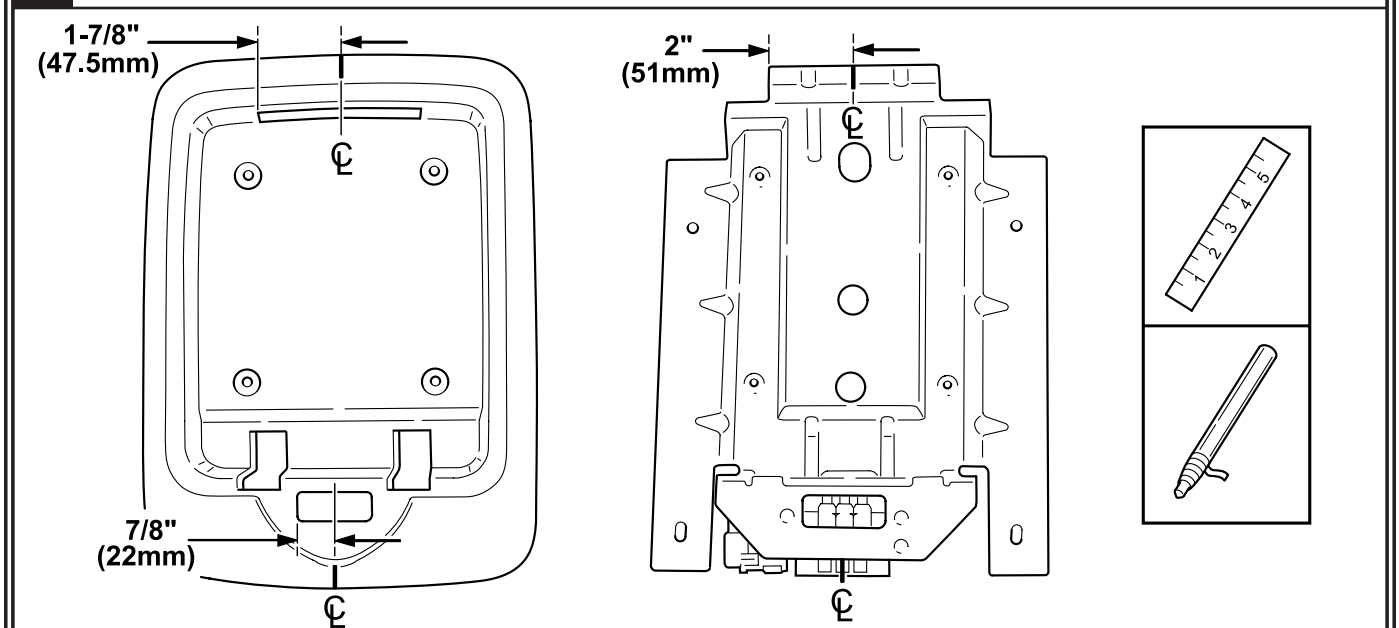
MOPAR®

STOW N' GO MINIVAN Center Console

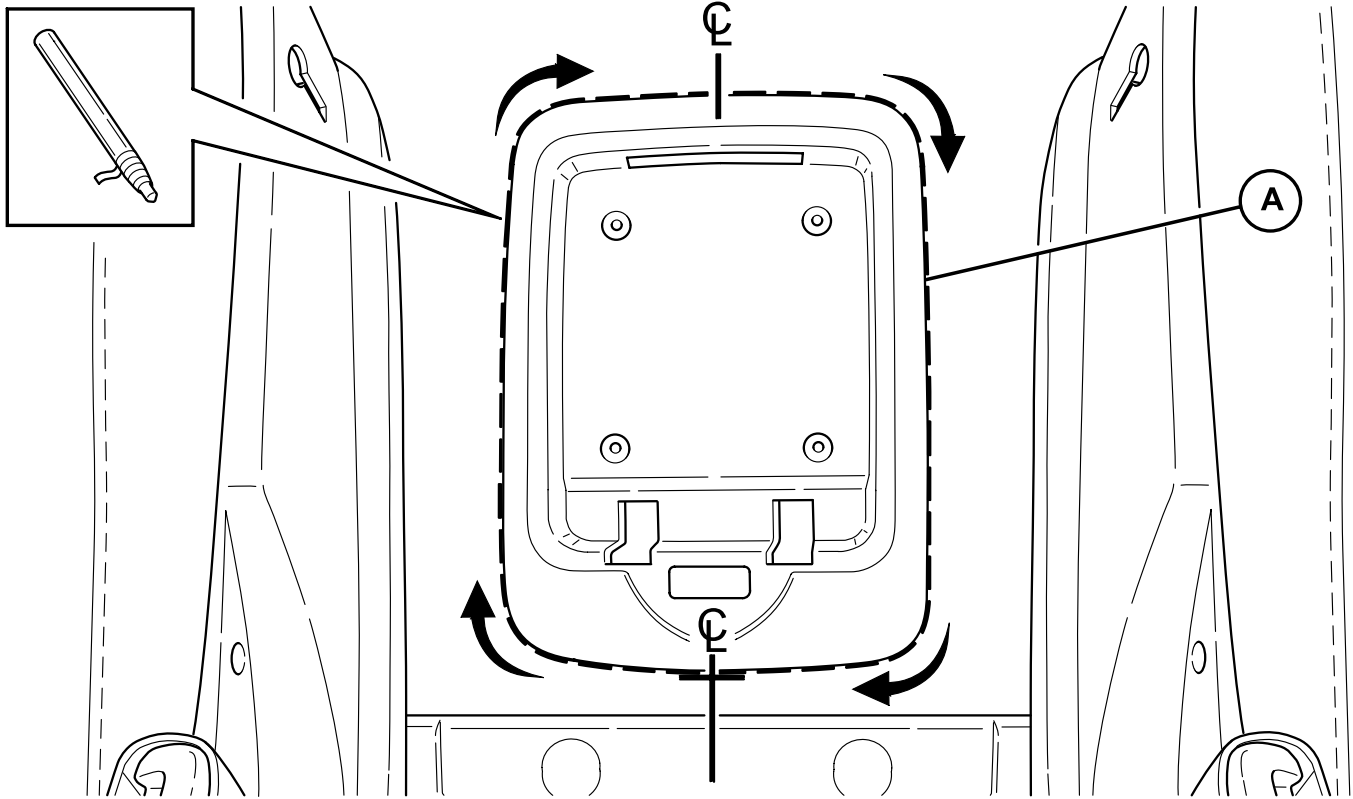




2 Determine center line of vehicle between the two front seats and mark as shown.

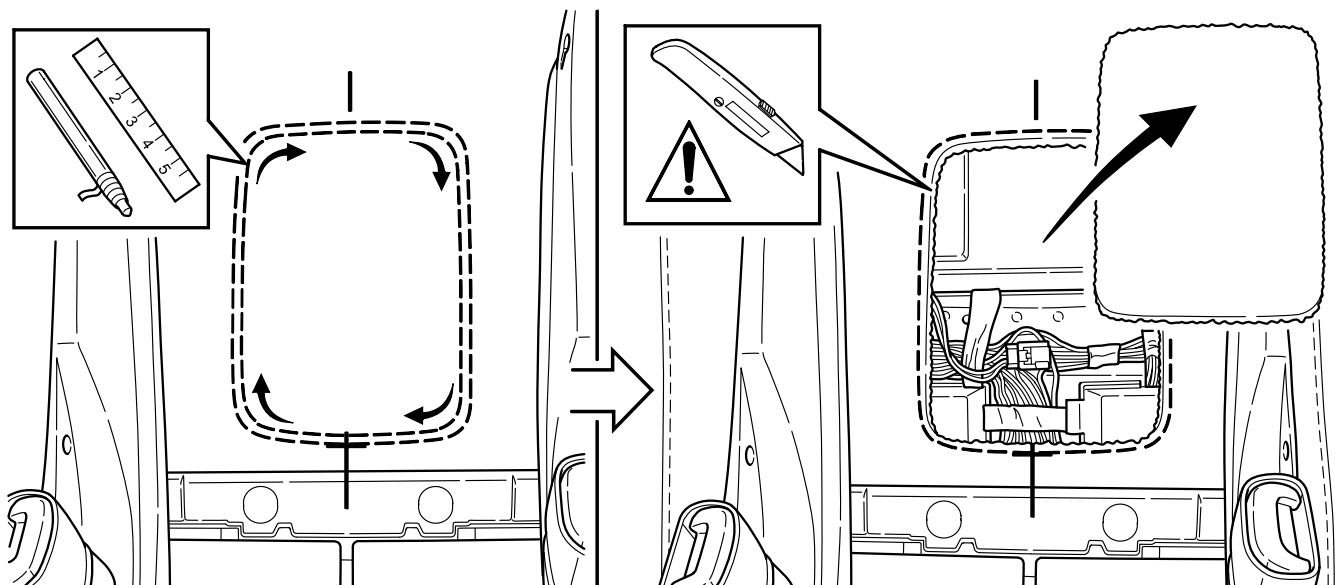


3 Determine center line of tray and bracket.



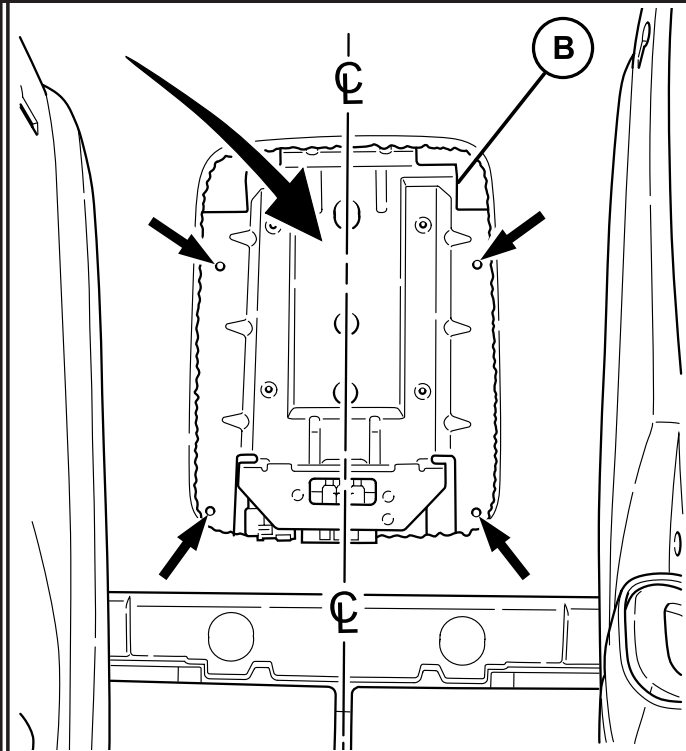
4

Place tray onto the carpet liner making sure it is centered. Mark the carpet around the tray's entire area. Remove the tray.

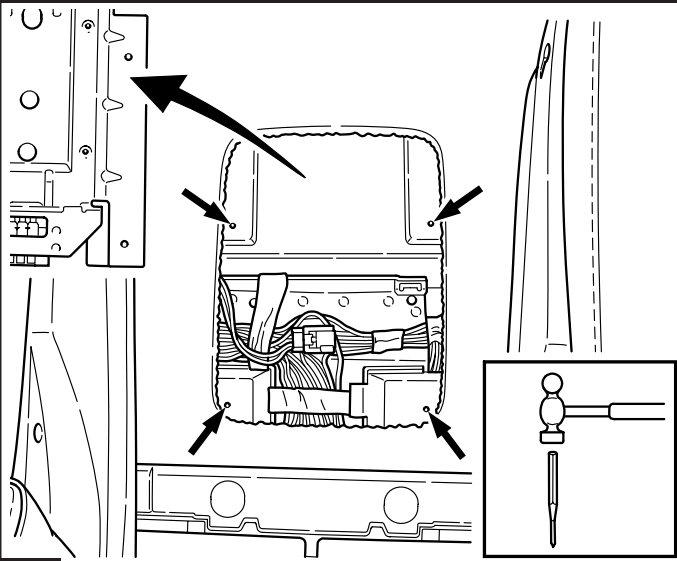


5

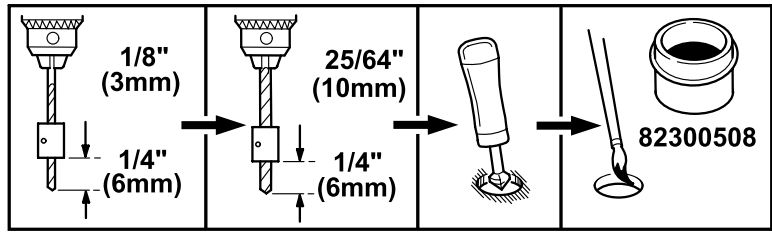
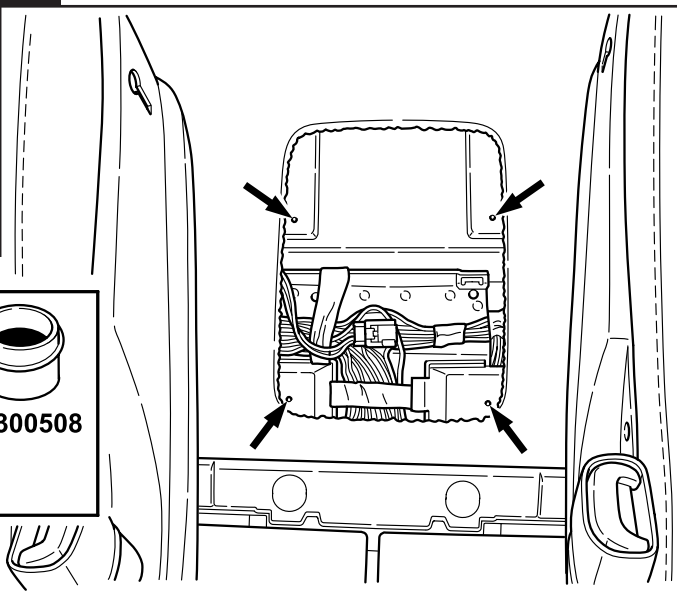
Trim out carpet liner 1/2" (13mm) inside of the tray area markings. Use extreme caution! Start trimming the front of carpet then gradually lift and trim to insure that the vehicle wiring is not damaged.



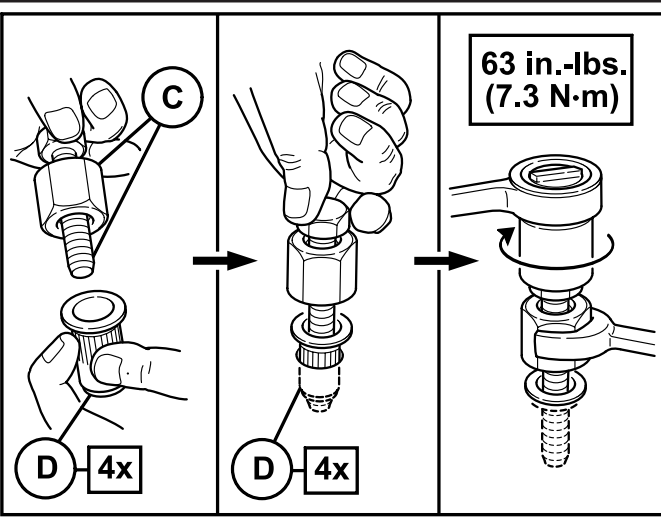
6 Place bracket inside of trimmed opening. Center it then mark (4) drill hole locations.



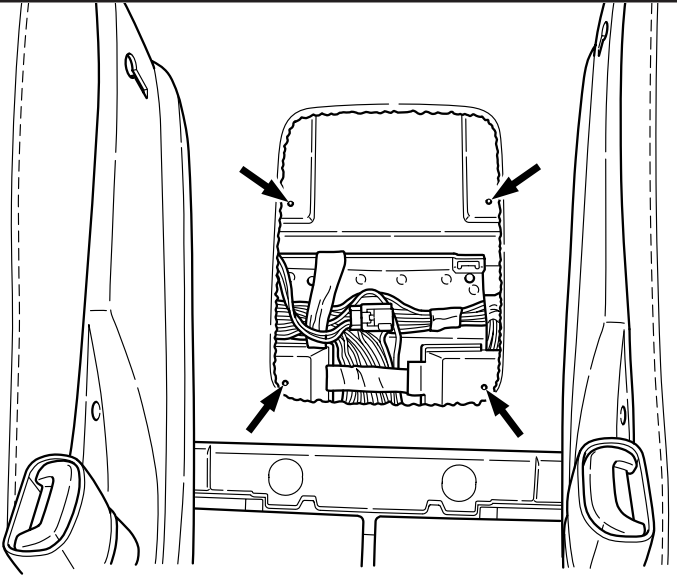
7 Remove bracket and center punch (4) times.

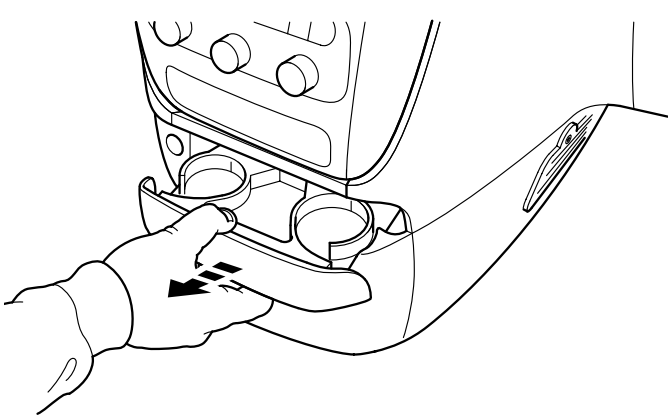


8 Drill, prep, and prime (4) holes.

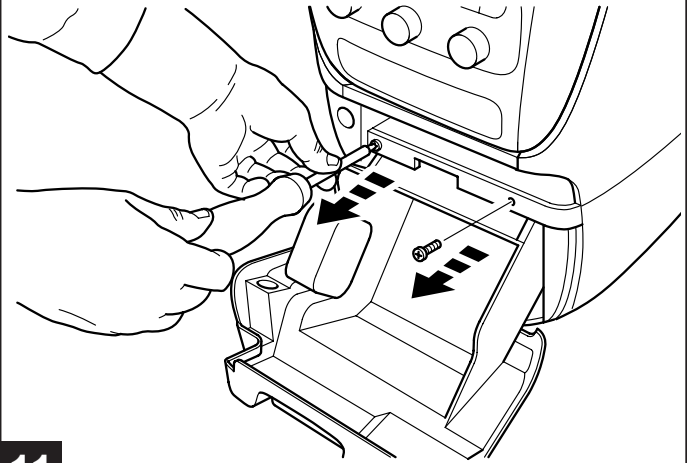


9 Install and collapse (4) well nuts.

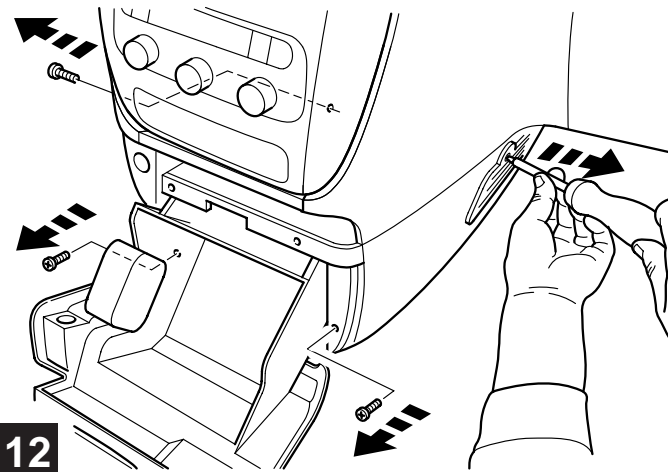




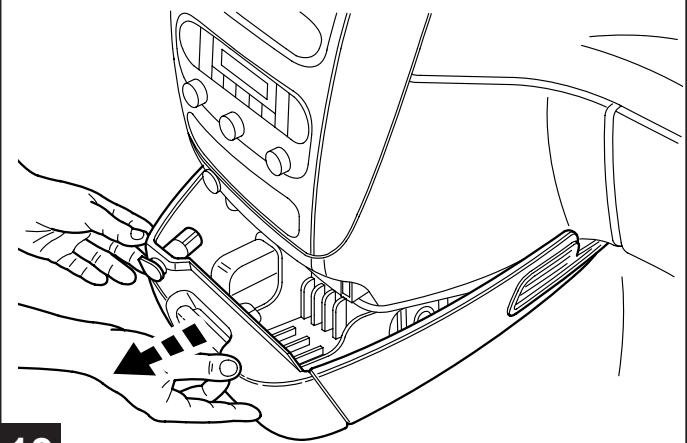
10



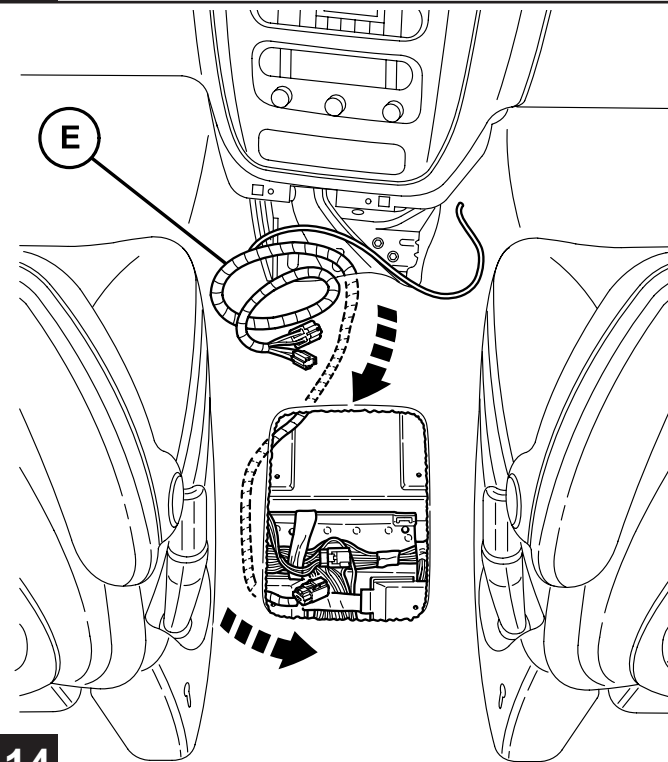
11



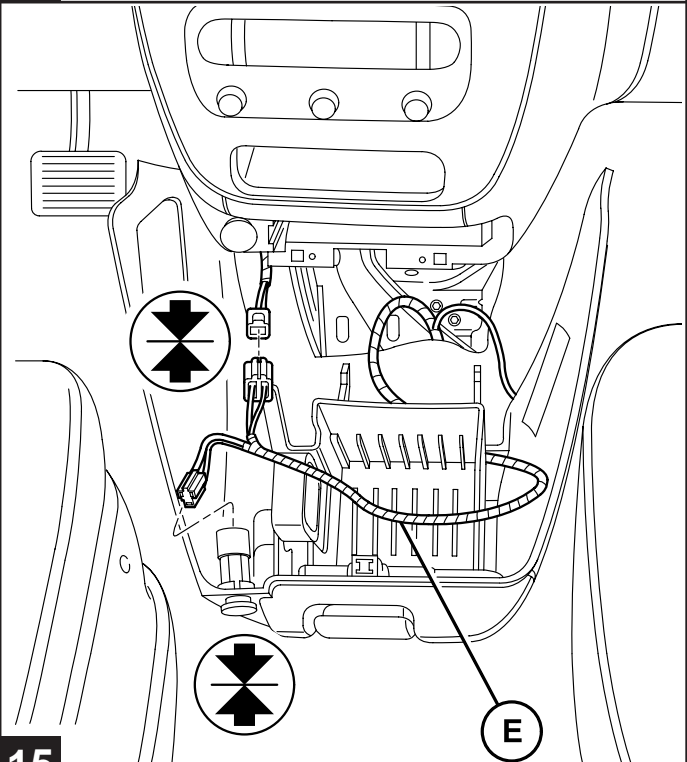
12



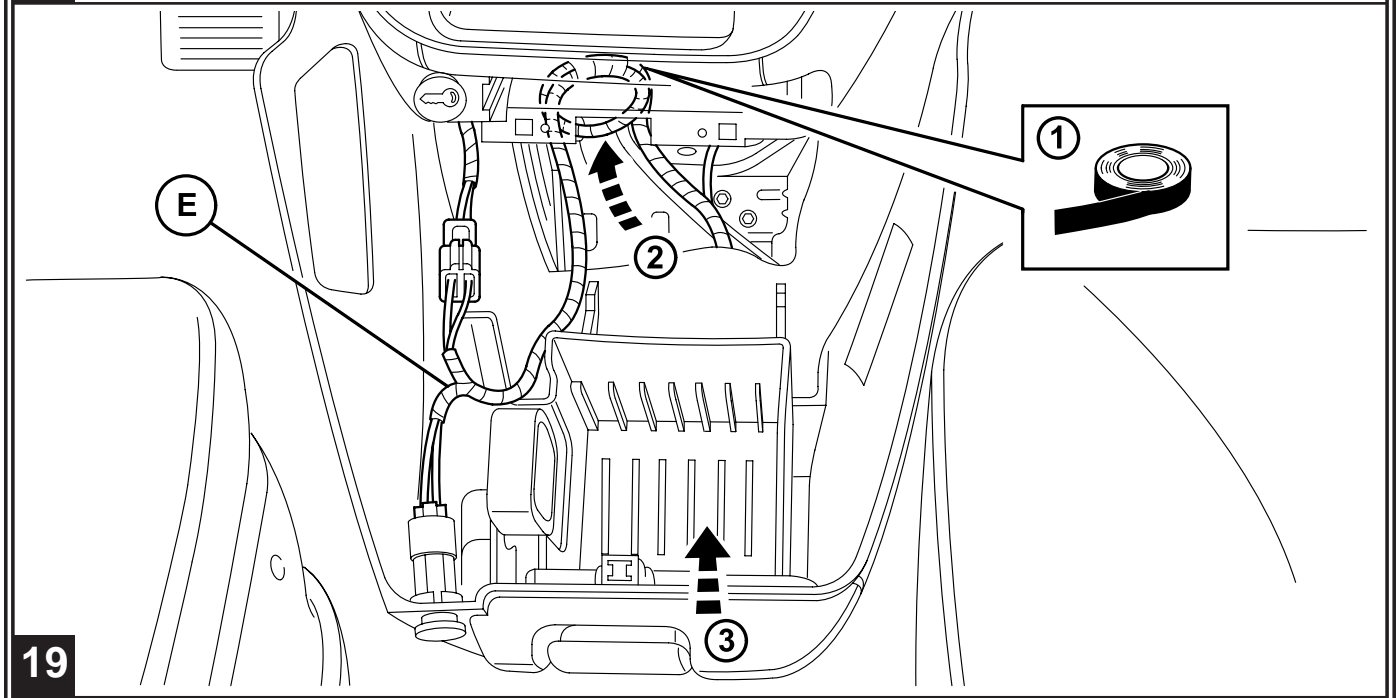
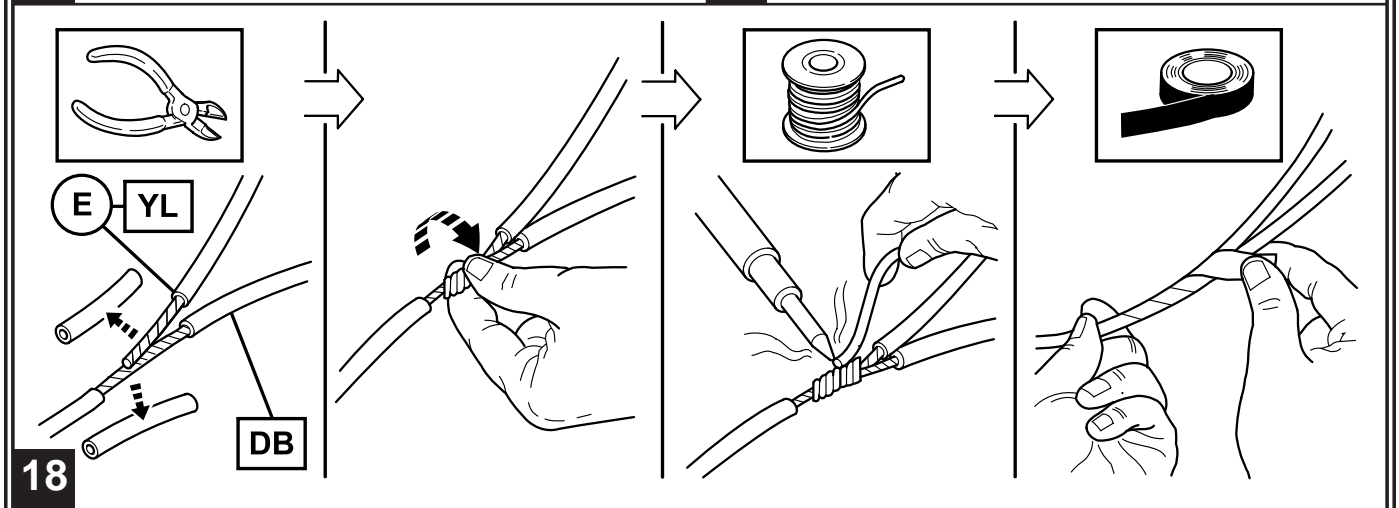
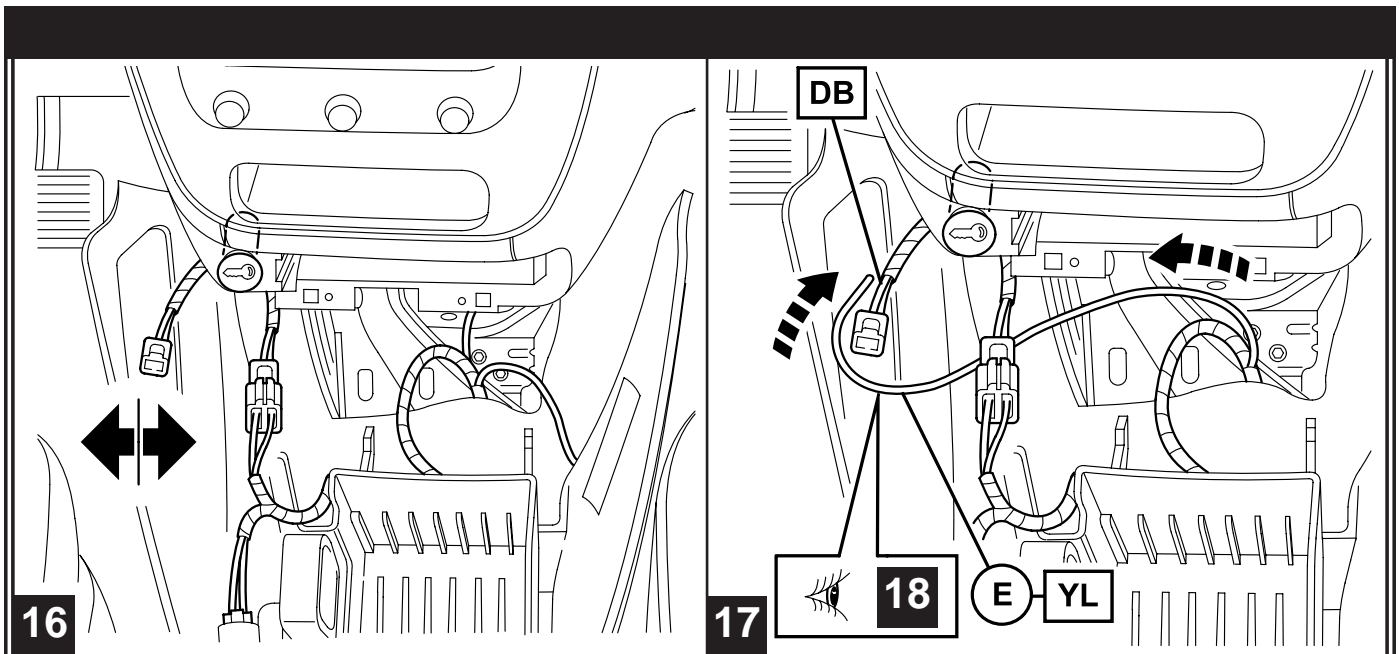
13

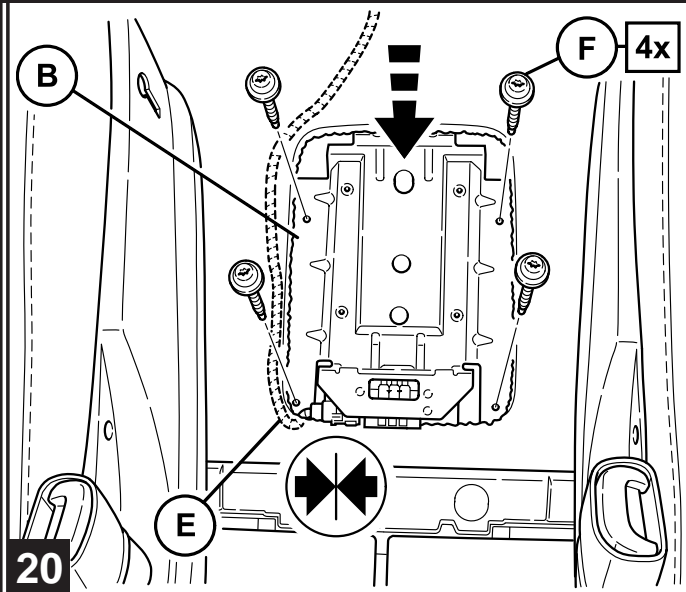


14

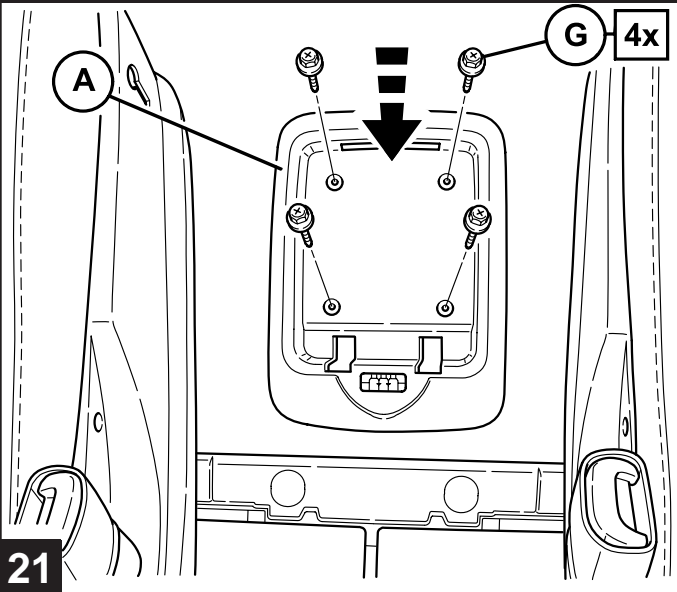


15

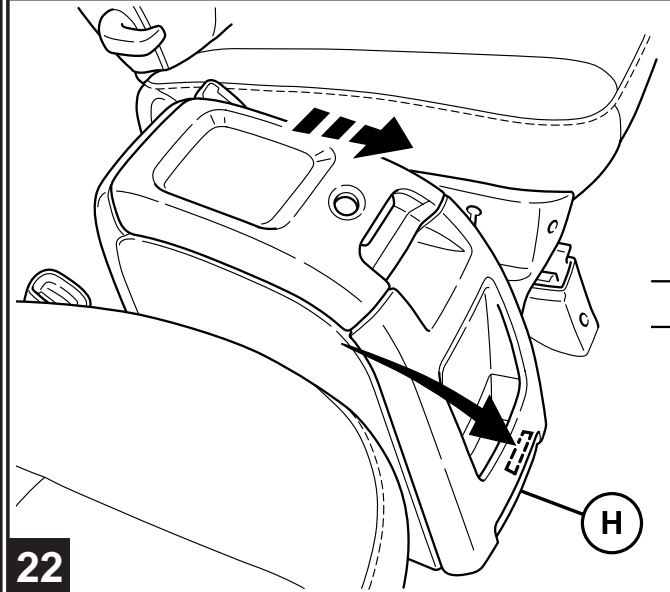




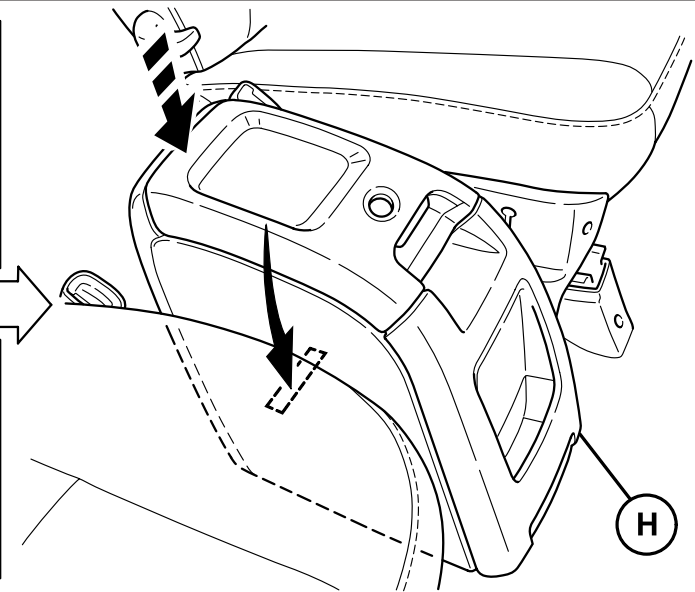
20



21

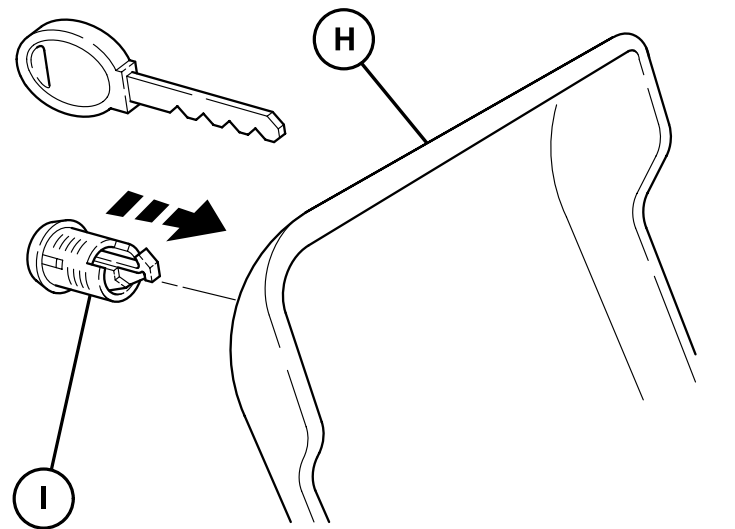


22



■ Parts needed to code console cylinder to the ignition key:

- Tumbler 1 - 05257132
- Tumbler 2 - 05257133
- Tumbler 3 - 05257134
- Tumbler 4 - 05257135
- Spring - 04746873



23