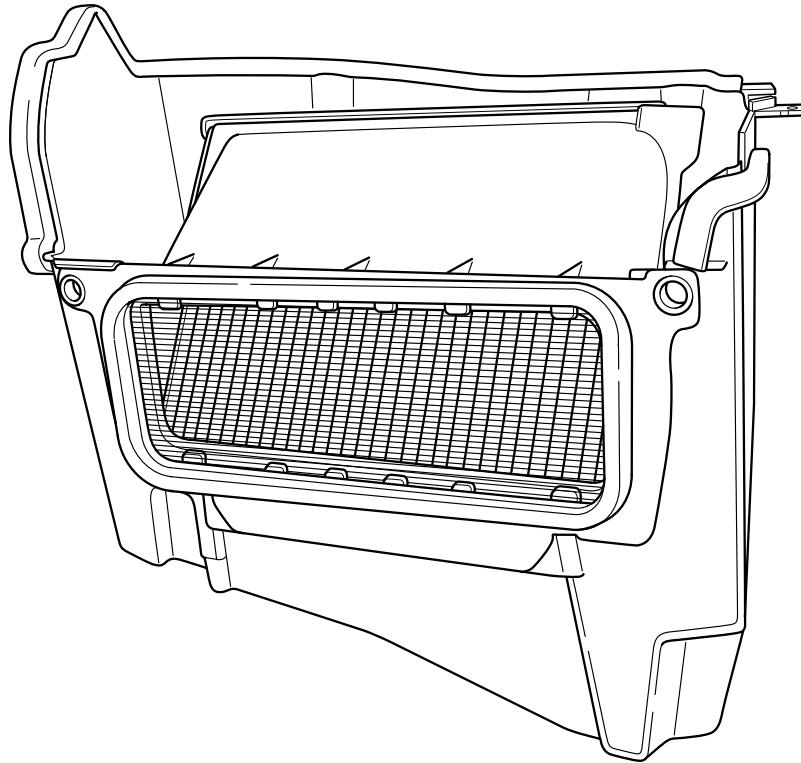




CHRYSLER 300, SRT 8 / DODGE MAGNUM, CHARGER

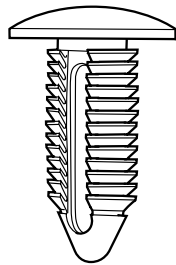
Cabin Air Filter

MOPAR®

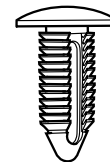


A

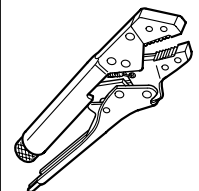
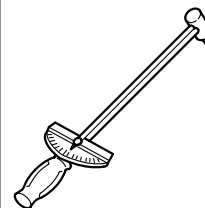
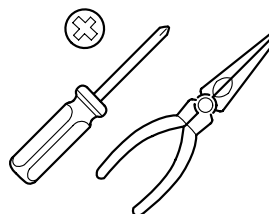
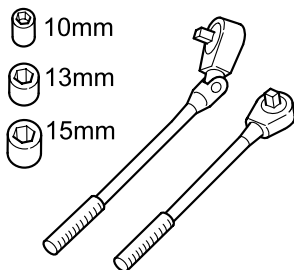
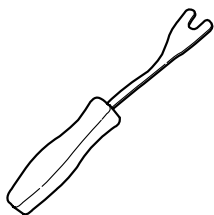
Filter may become separated from housing during shipment. Make sure filter is seated in housing as shown.

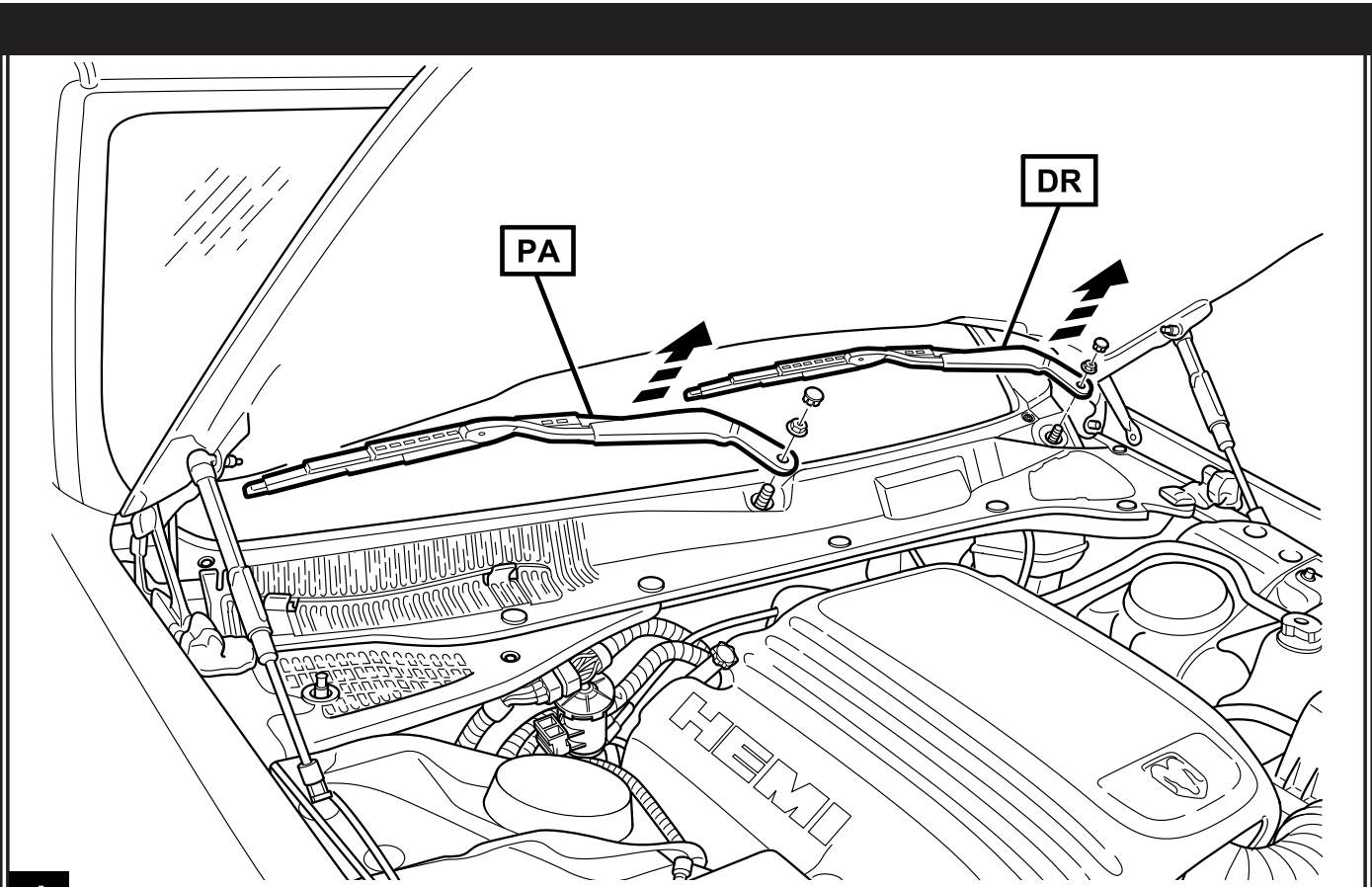


B 10x

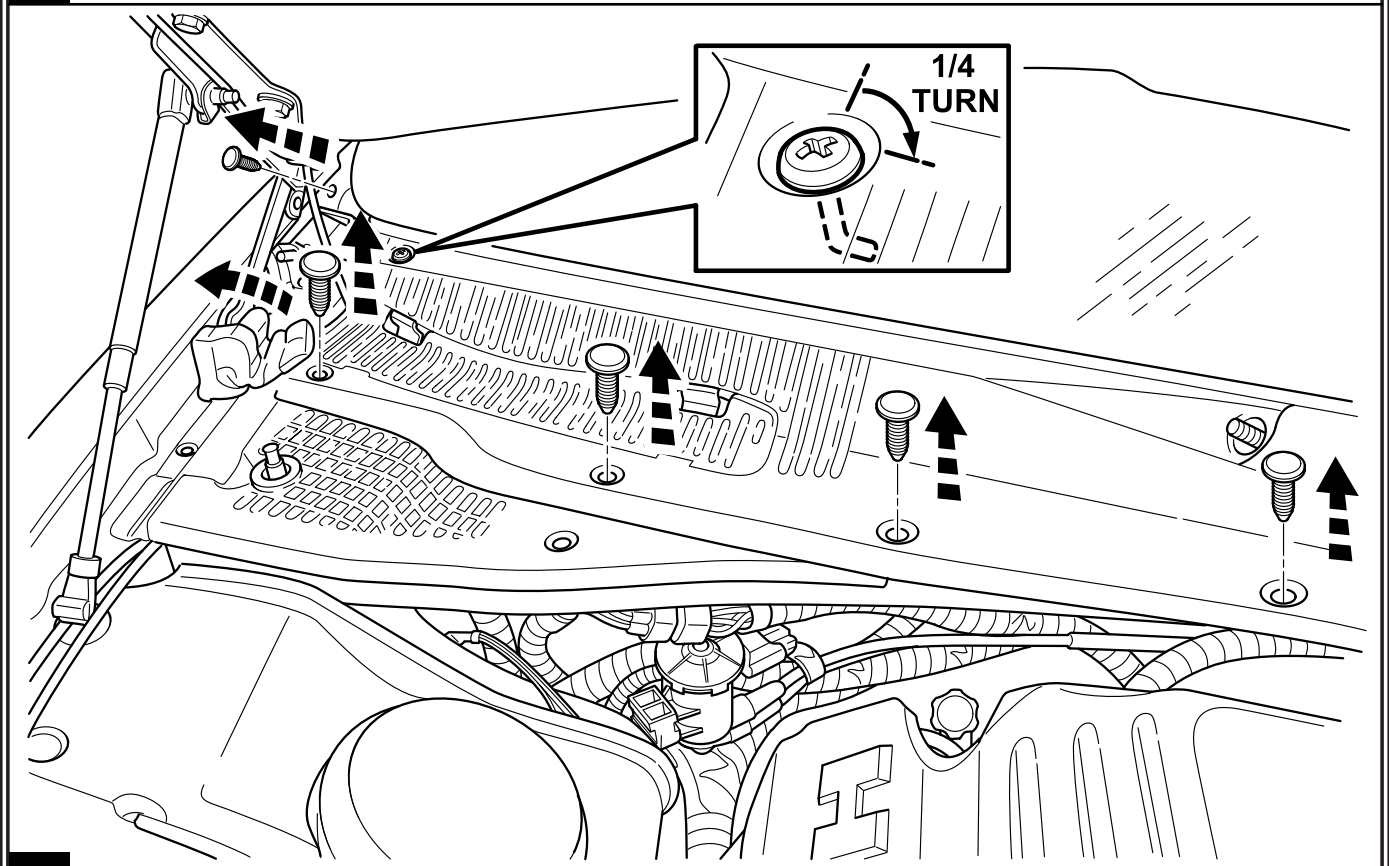


C 2x

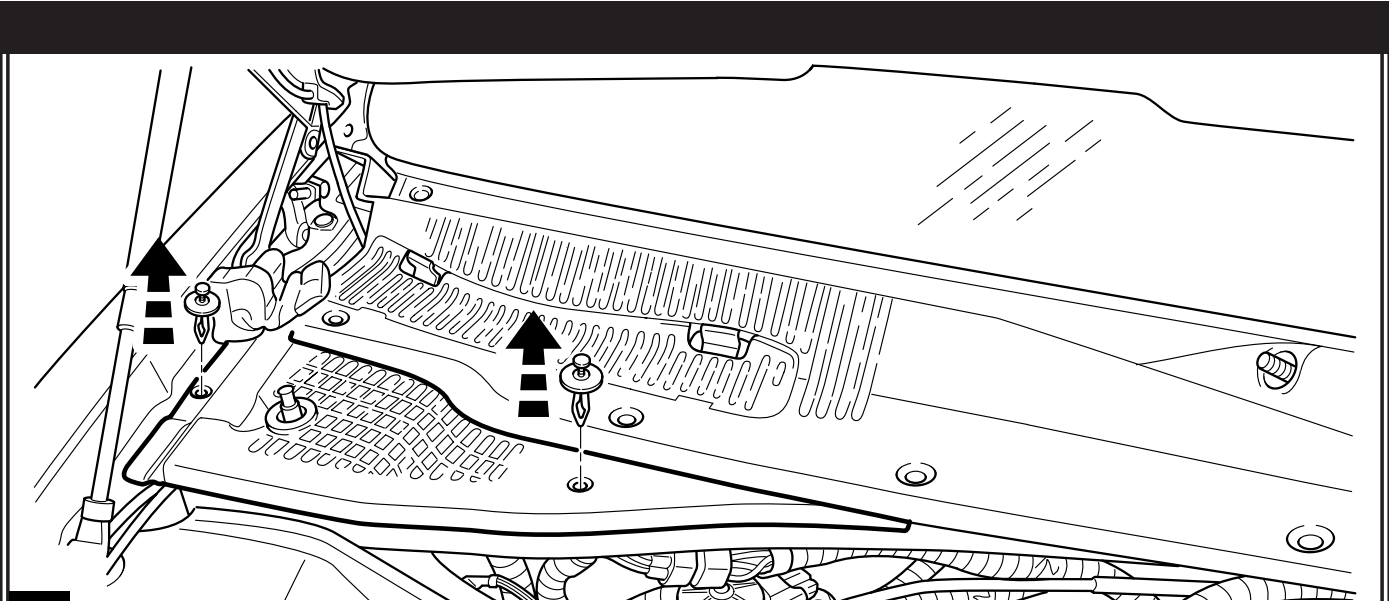




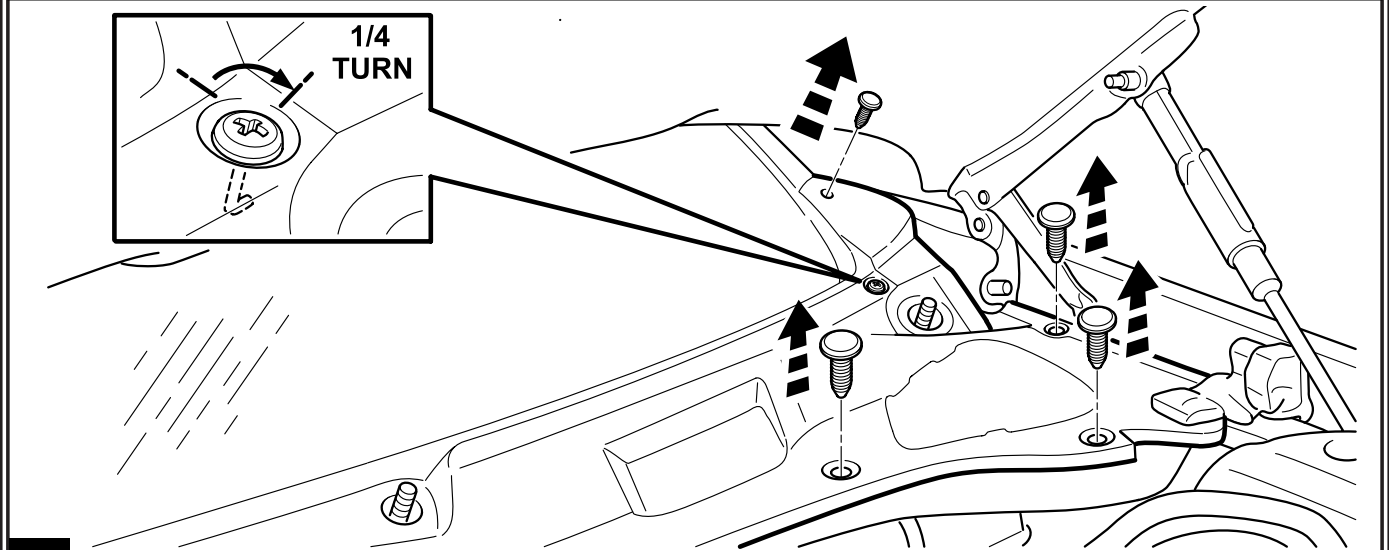
1 Remove passenger and driver's side windshield wipers.



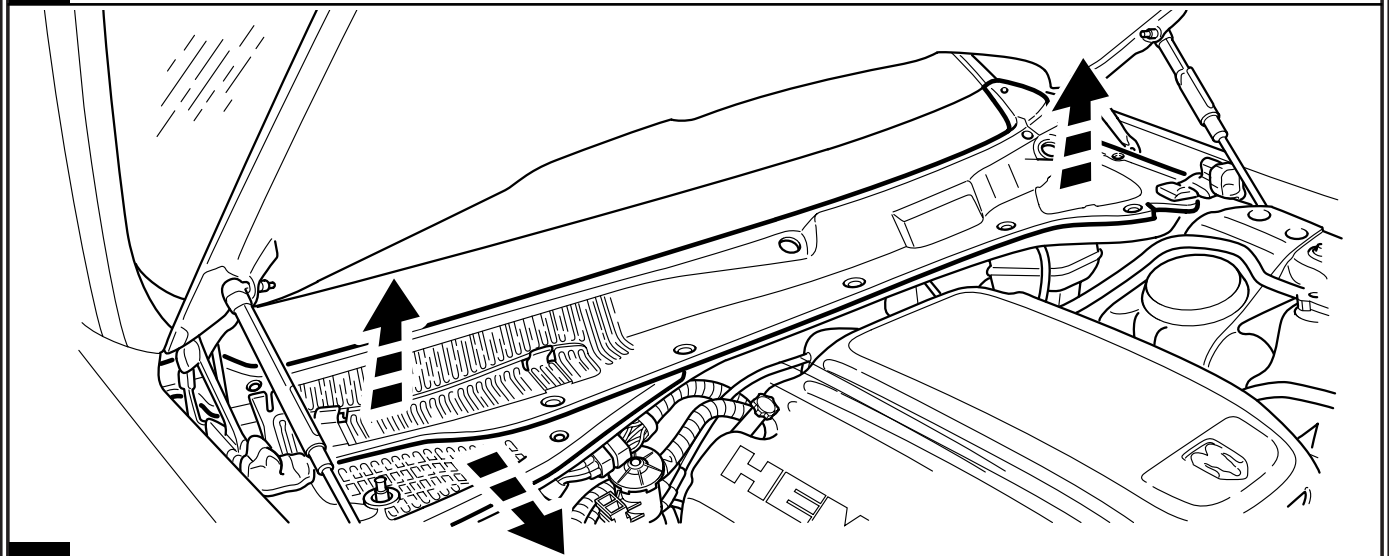
2 Remove and discard (5) screws from passenger's side of leaf guard.



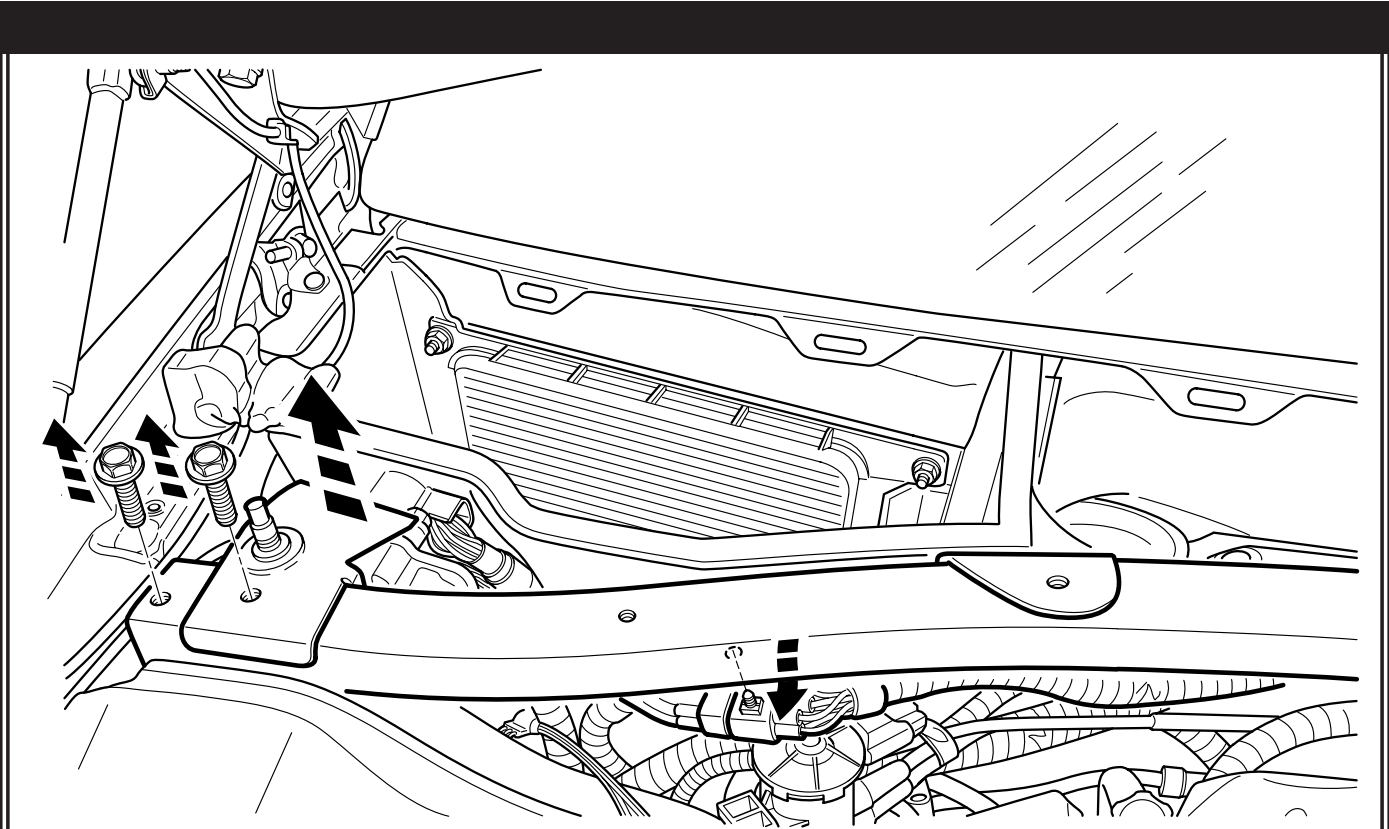
3 Remove (2) push pin fasteners from screen.



4 Remove and discard (4) screws from driver's side of leaf guard.

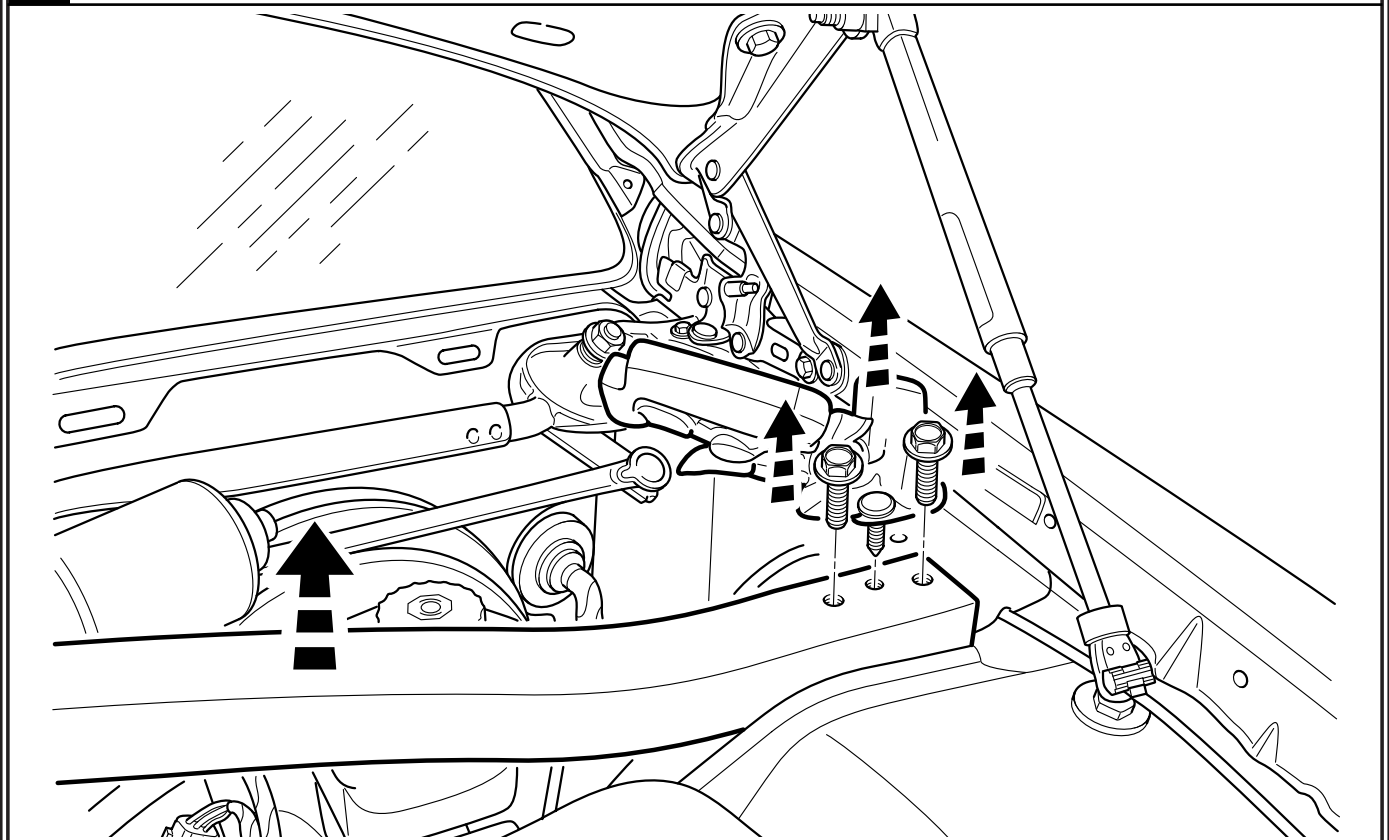


5 Remove leaf guard and screen.



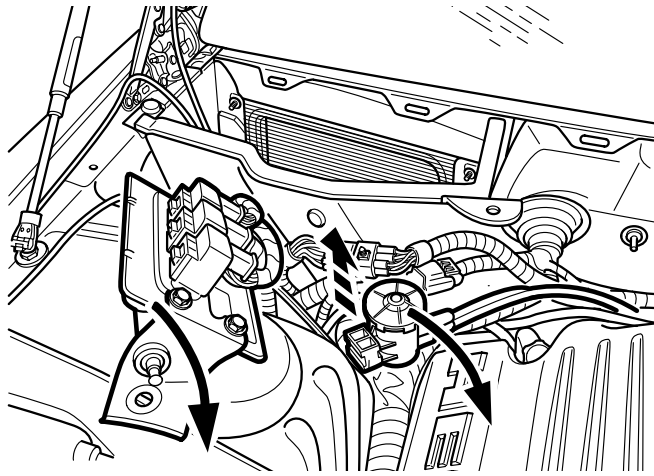
6

Remove (2) bolts from passenger's side of crosscar beam. Lift up hood lamp switch bracket. Disengage electrical connection.



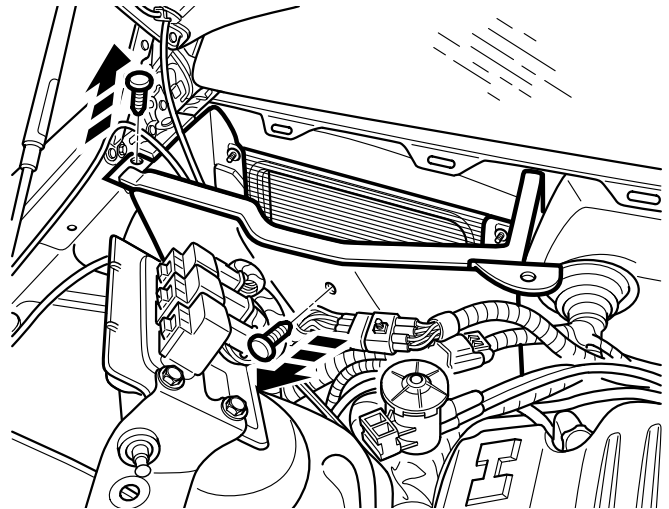
7

Remove (2) bolts and (1) rubber mocket from driver's side of crosscar beam. Remove crosscar beam.



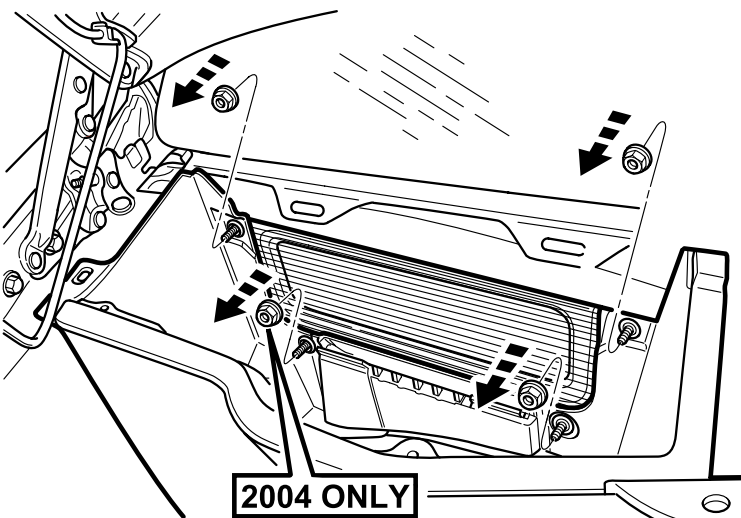
Position hood lamp switch bracket and evaporator solenoid away from plenum housing.

8



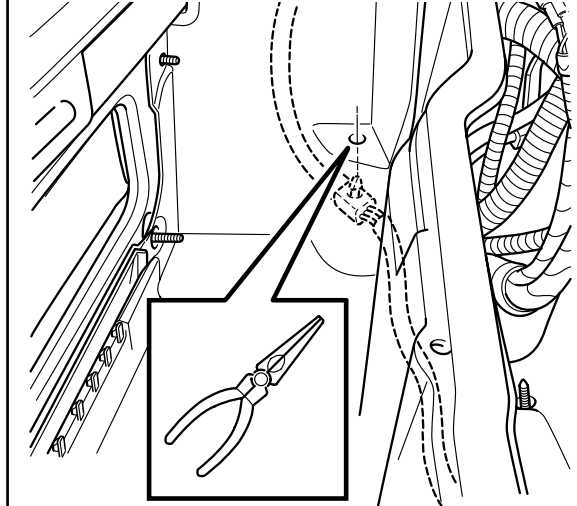
Remove (2) screws that attach insulator to plenum housing.

9



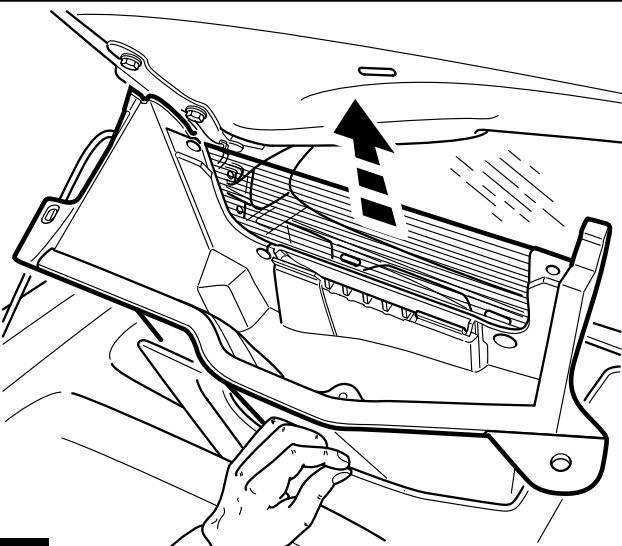
Remove 3-4 plenum housing mounting nuts.

10



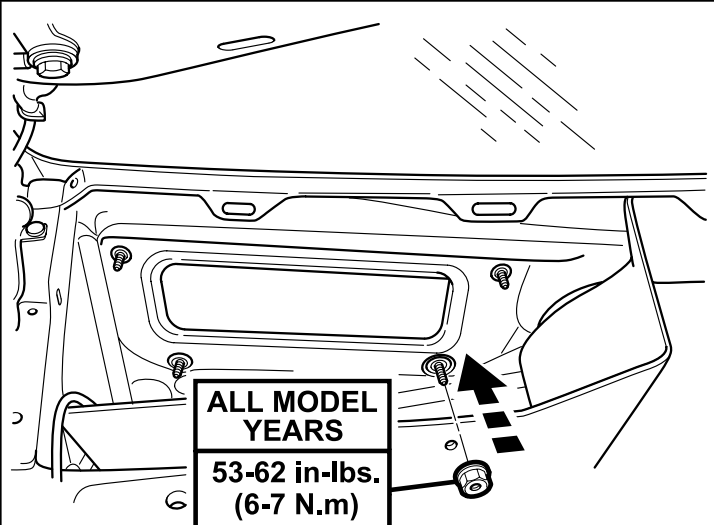
Disengage electrical connector from bottom of plenum housing.

11



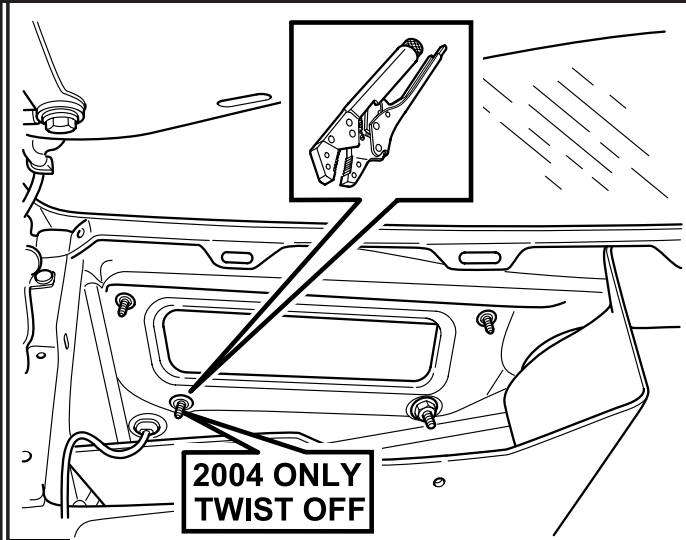
Remove and discard plenum housing.

12

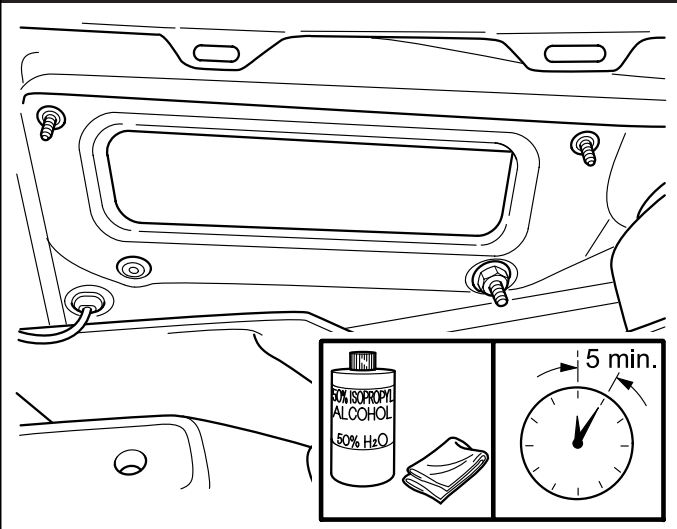


Re-install (1) mounting nut as shown.

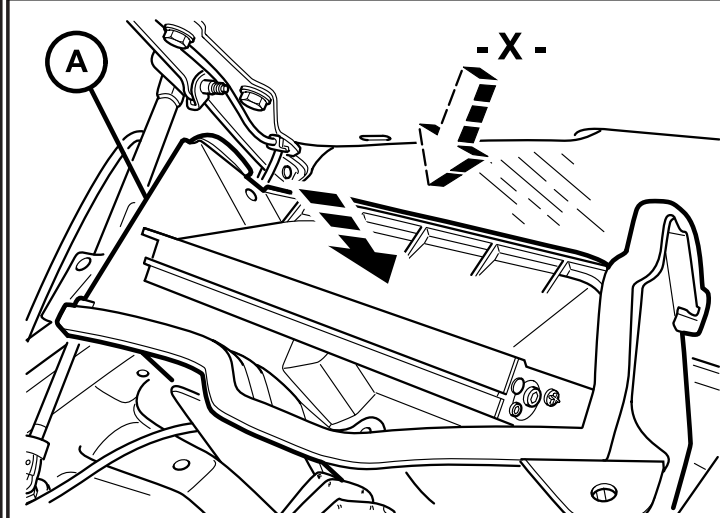
13



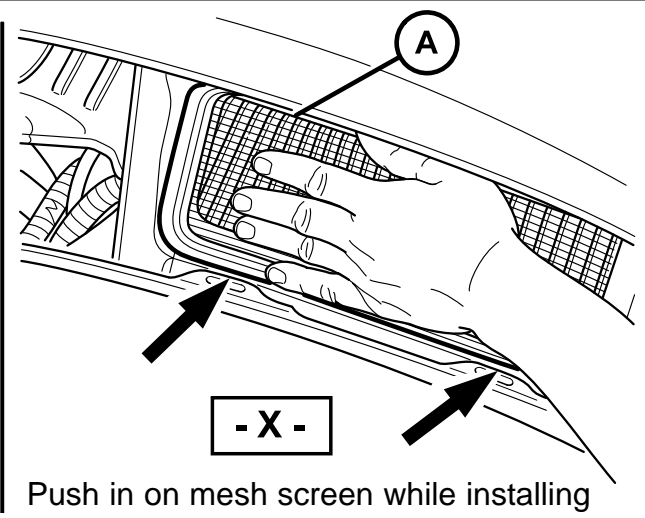
14 Twist off mounting stud as shown.



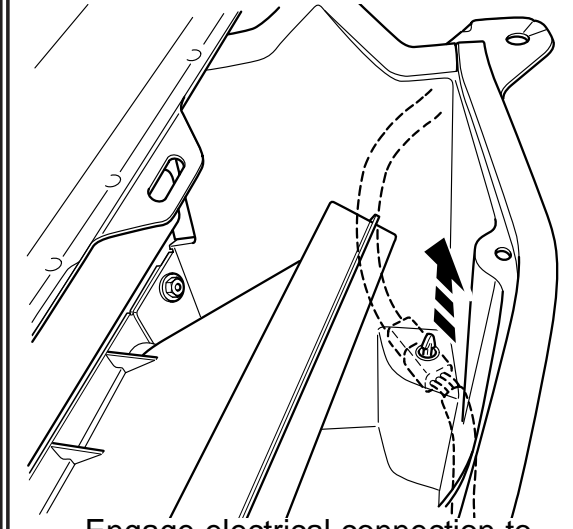
15 Clean mounting surface.



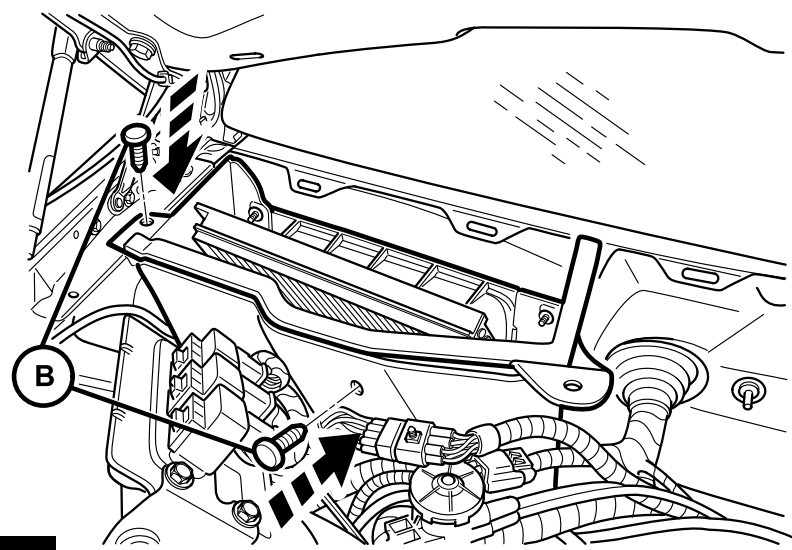
16 Pull back on insulator and install new filter/housing.



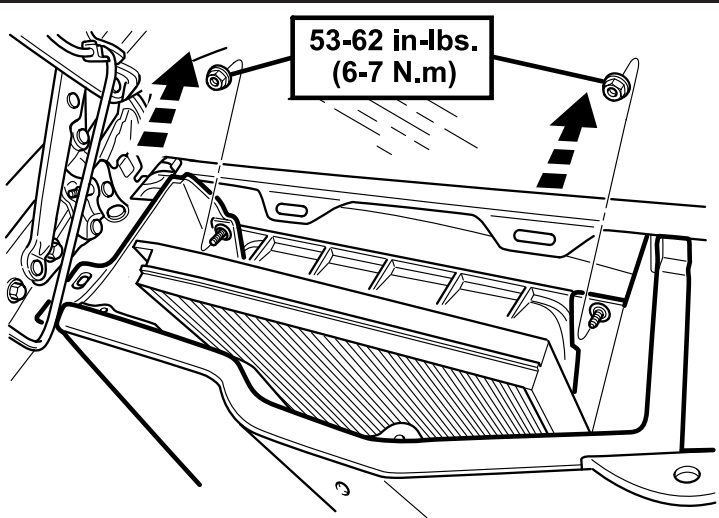
Push in on mesh screen while installing the filter housing to prevent damage from the bulkhead metal tabs.



17 Engage electrical connection to bottom of housing.

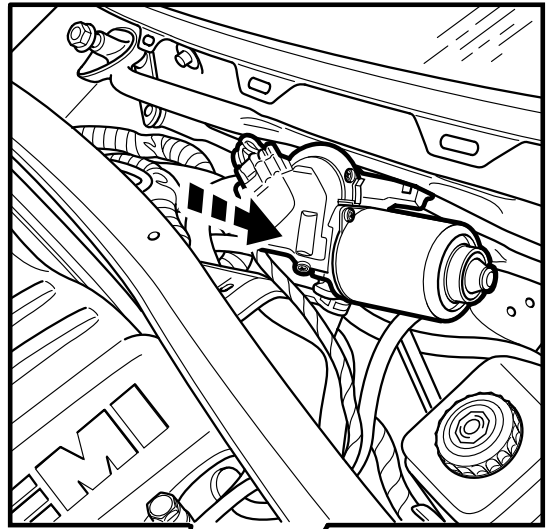


18 Install (2) new scrivenets as shown.



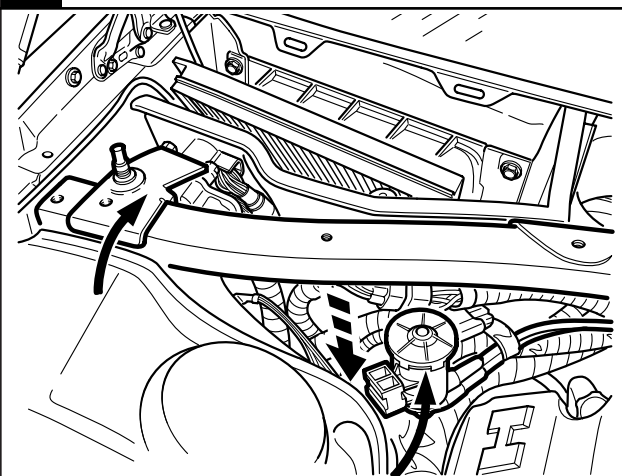
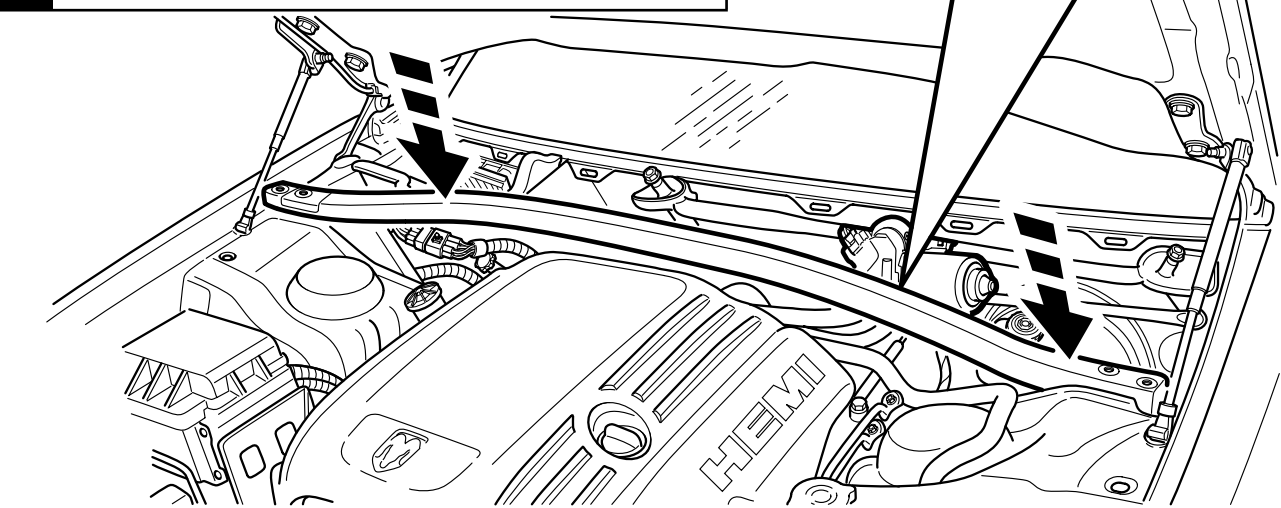
53-62 in-lbs.
(6-7 N.m)

19 Install (2) mounting nuts.

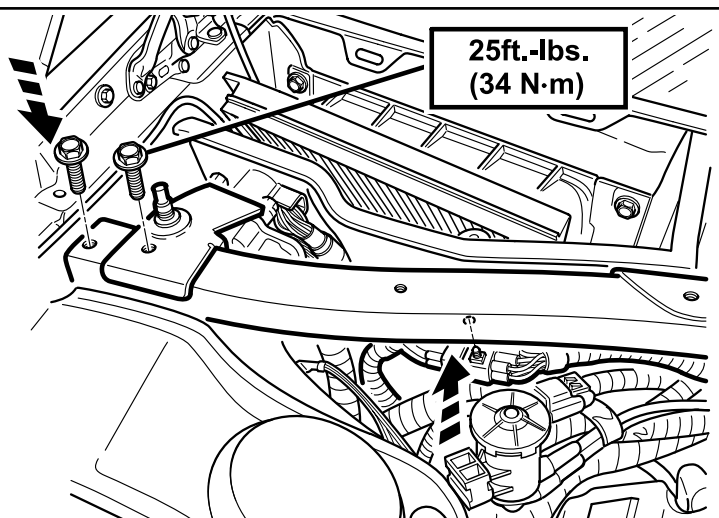


25ft.-lbs.
(34 N.m)

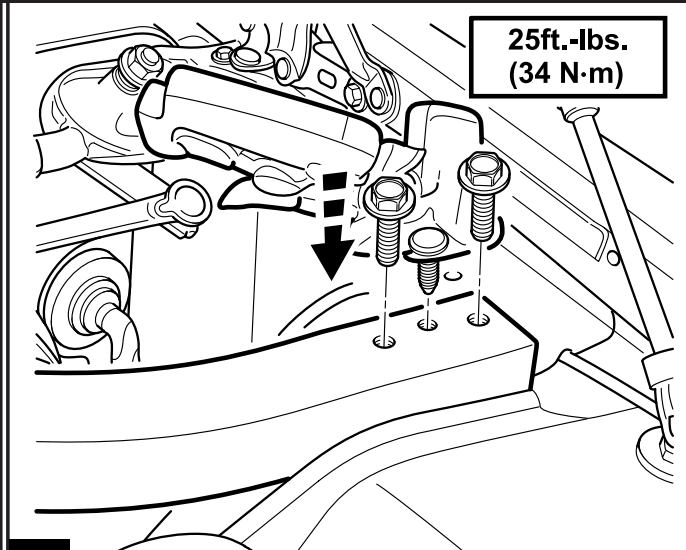
20 Re-install crosscar beam. Make sure bracket on the beam engages the wiper motor's lower rubber mounting grommet.



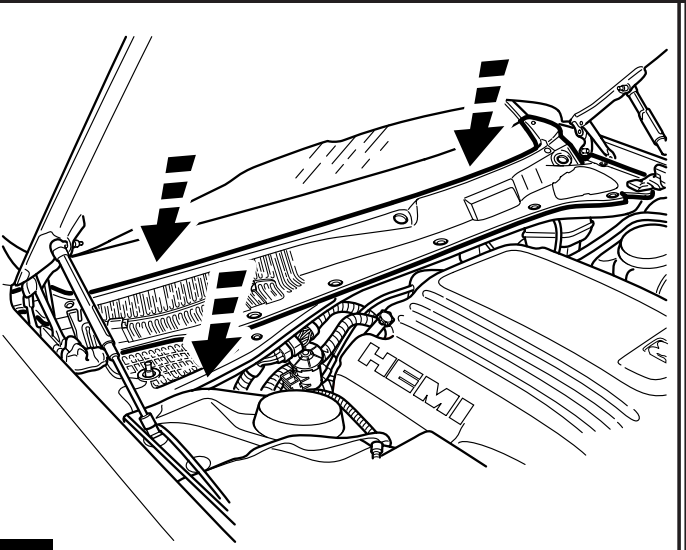
21 Position hood lamp switch bracket and evaporator solenoid back into place.



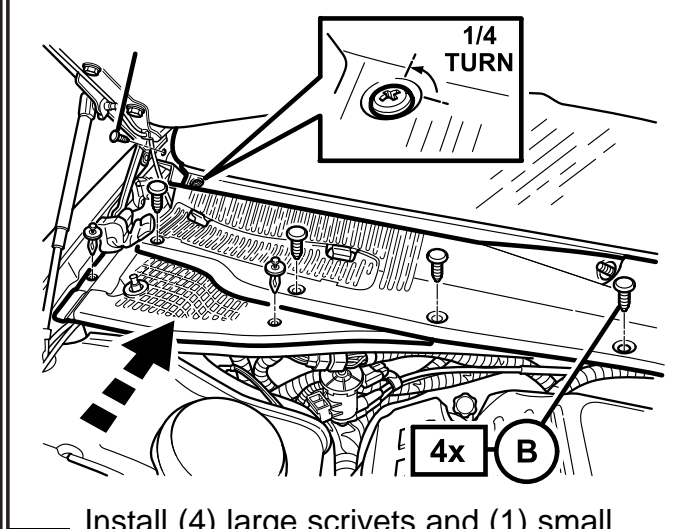
22 Re-install (2) bolts. Re-engage electrical connection.



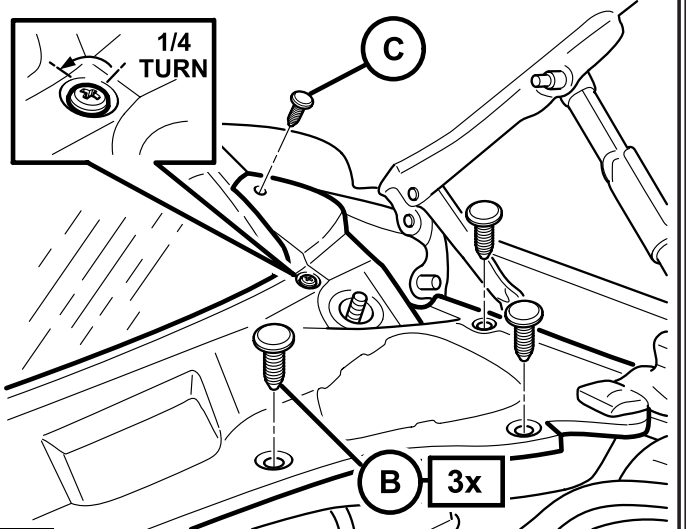
23 Re-install (2) bolts and (1) rubber mocket.



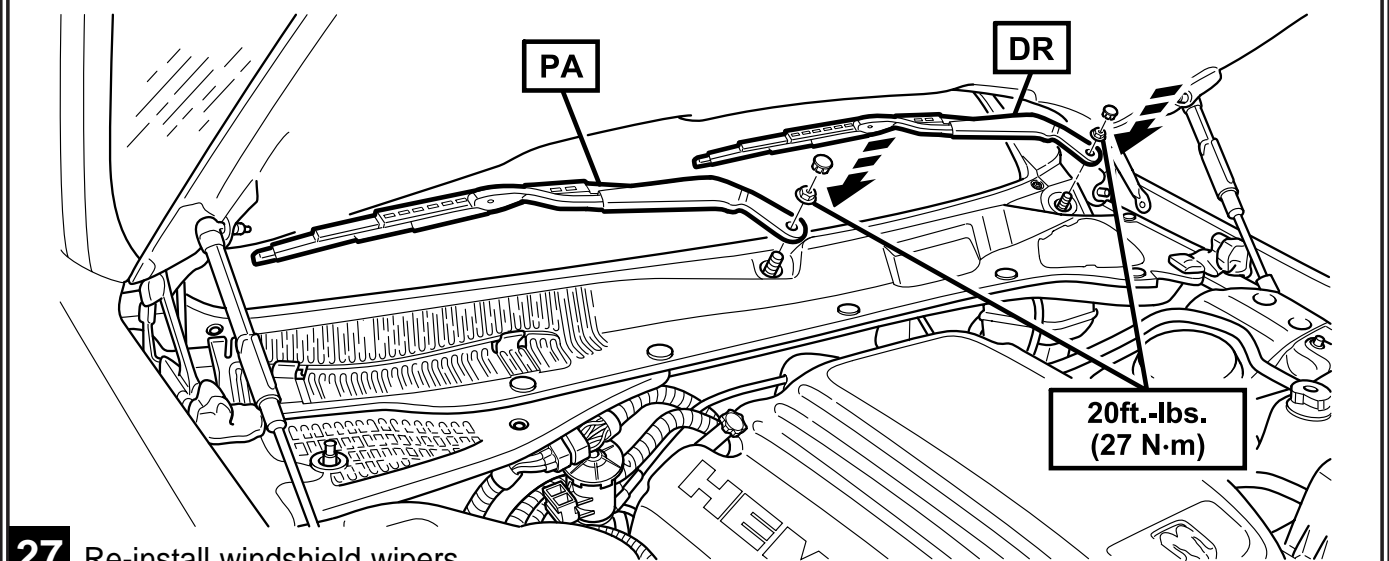
24 Re-install leaf guard and screen.



25 Install (4) large scrivenets and (1) small scrivenet. Re-install (2) push pins.



26 Install (3) large scrivenets and (1) small scrivenet.



27 Re-install windshield wipers.