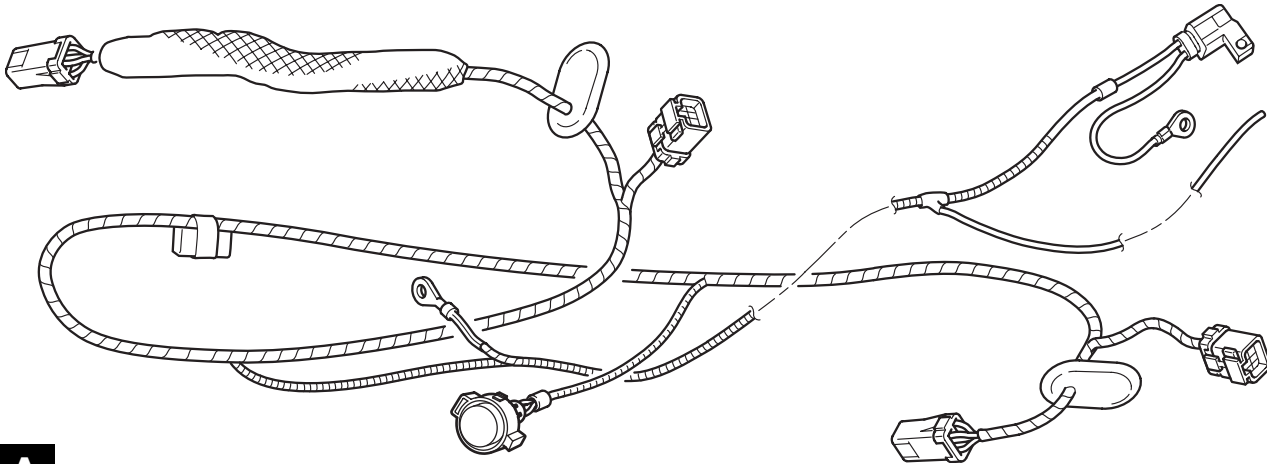




DODGE DURANGO/CHRYSLER ASPEN 4-WAY & 7-WAY COMBINATION TRAILER TOW HARNESS

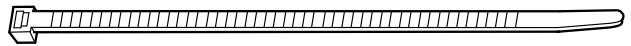
MOPAR®



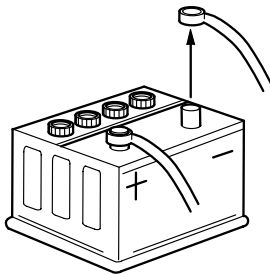
A



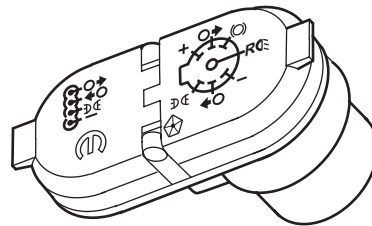
B 10x



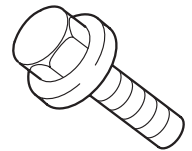
C 1x



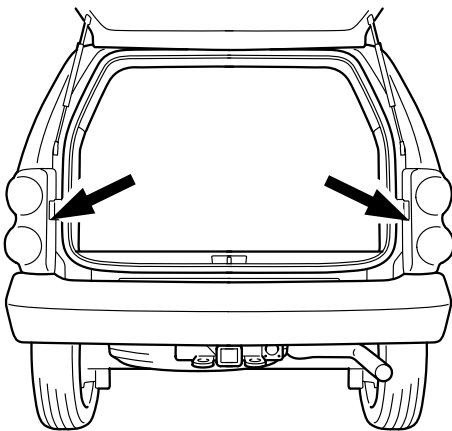
1



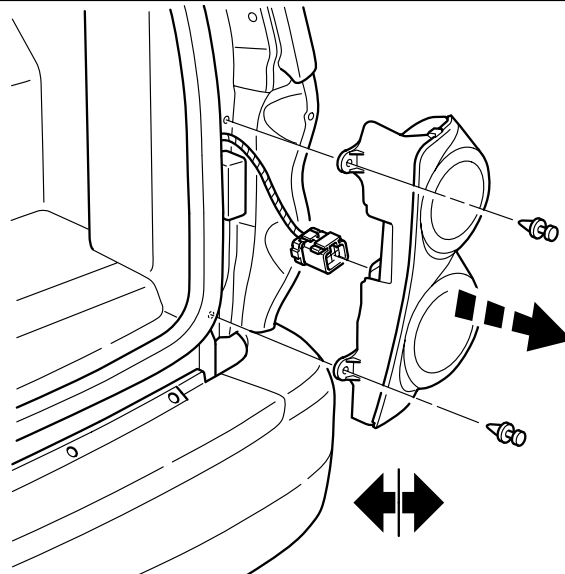
D

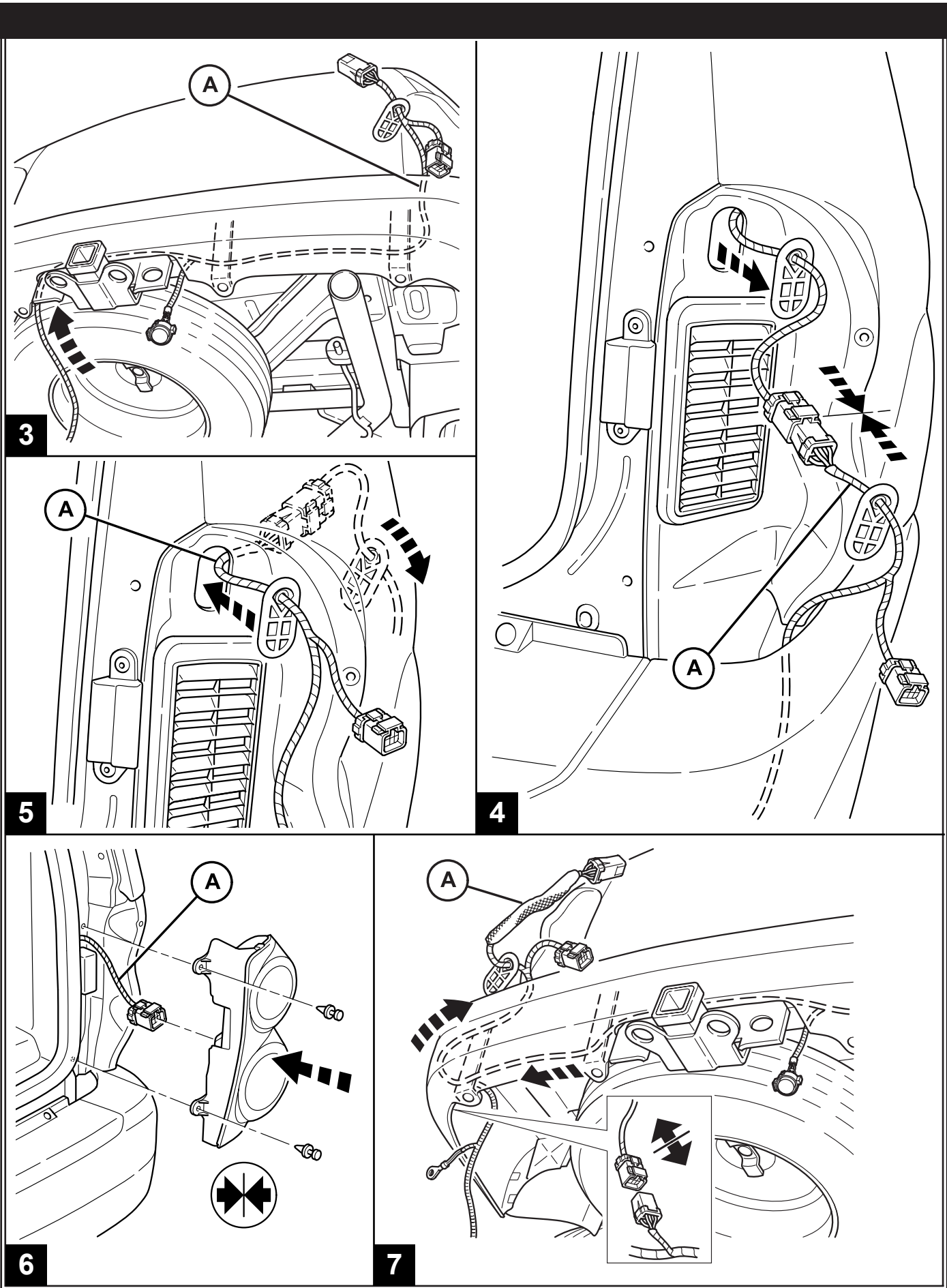


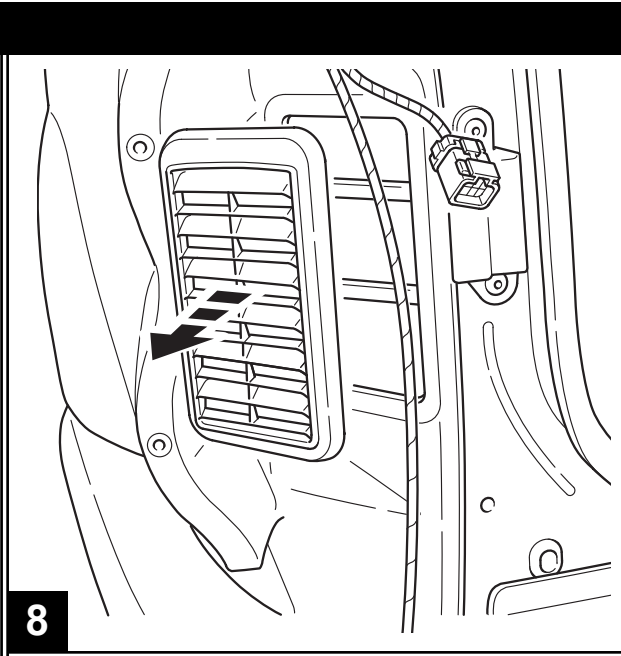
E 1x



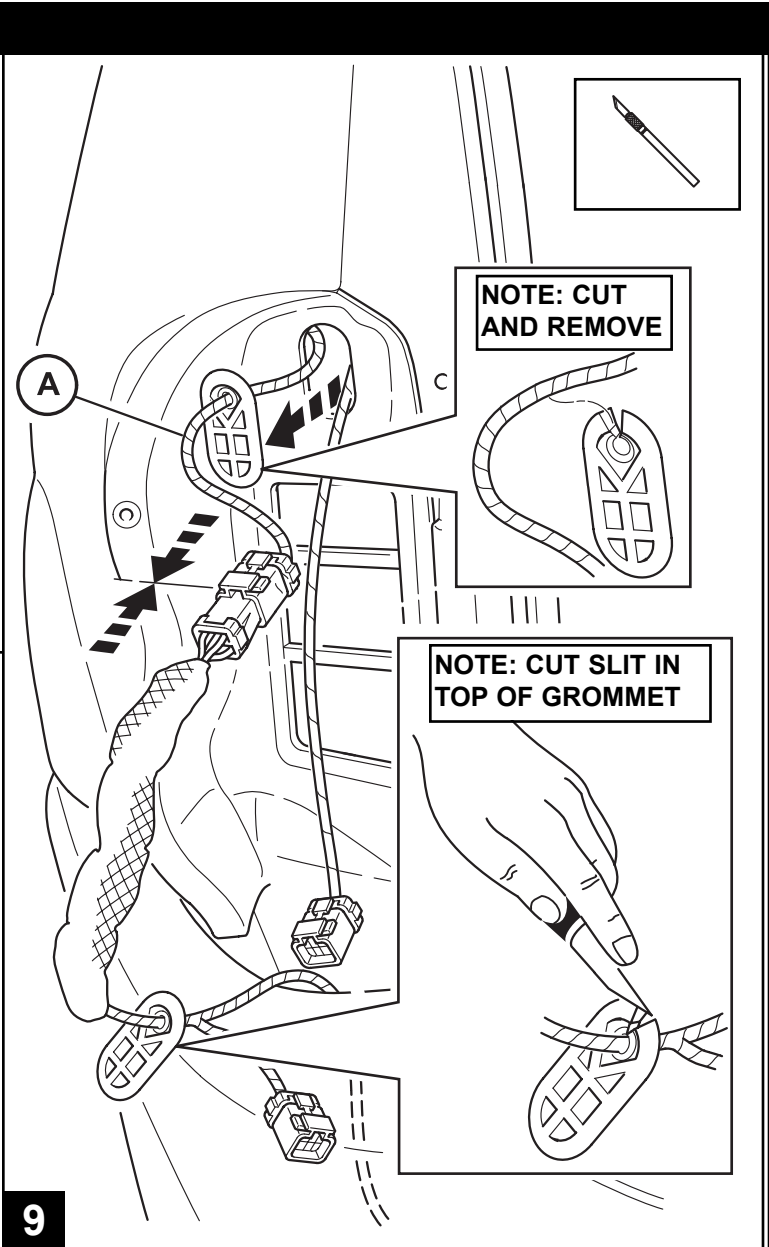
2



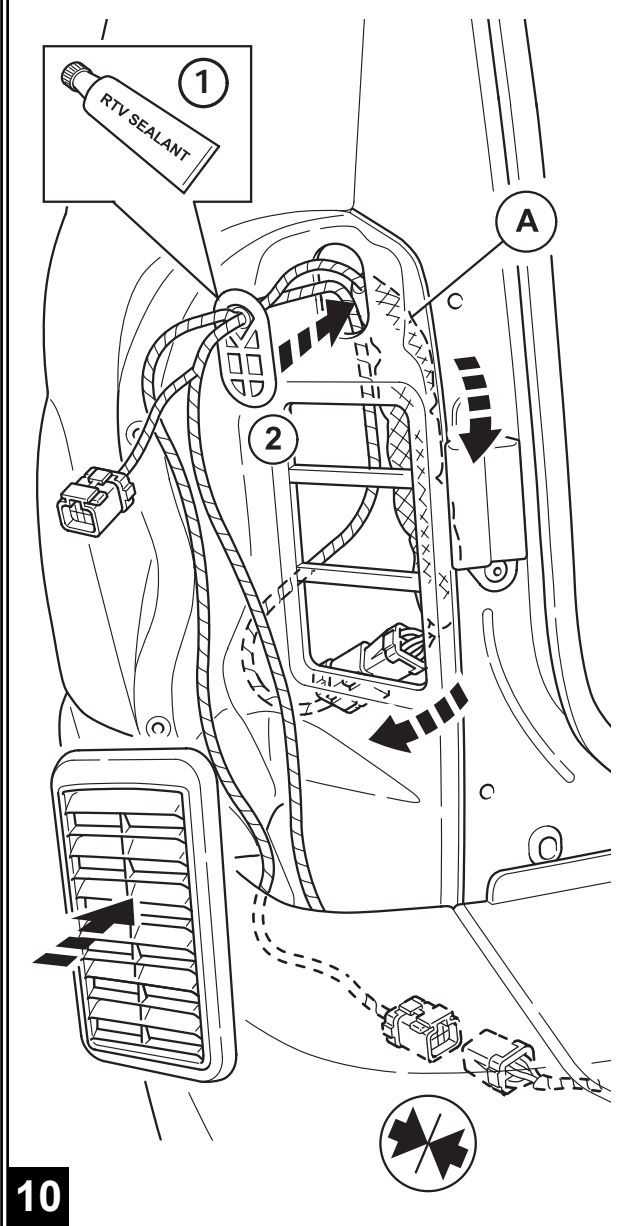




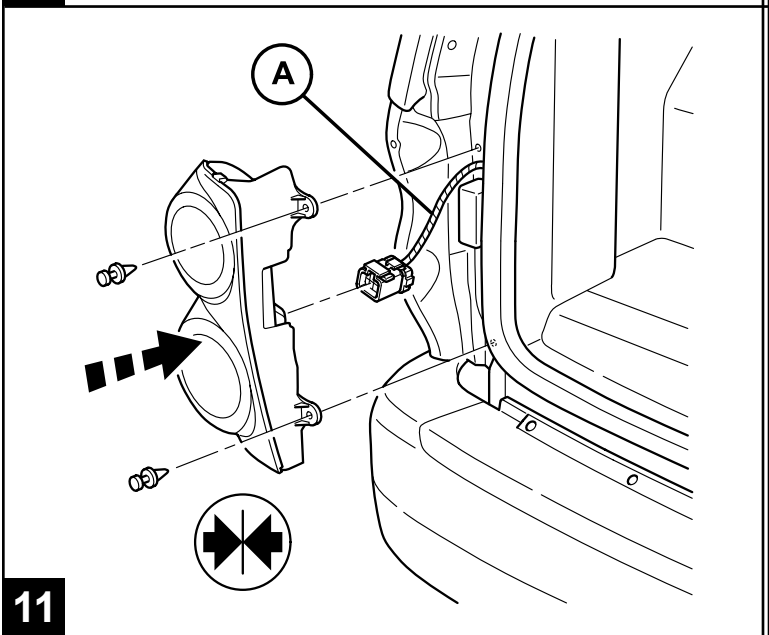
8



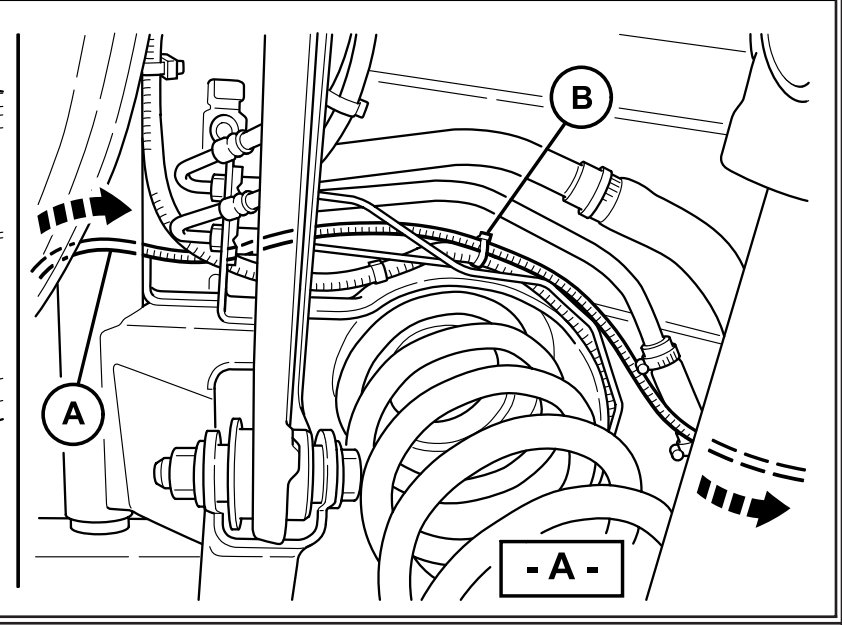
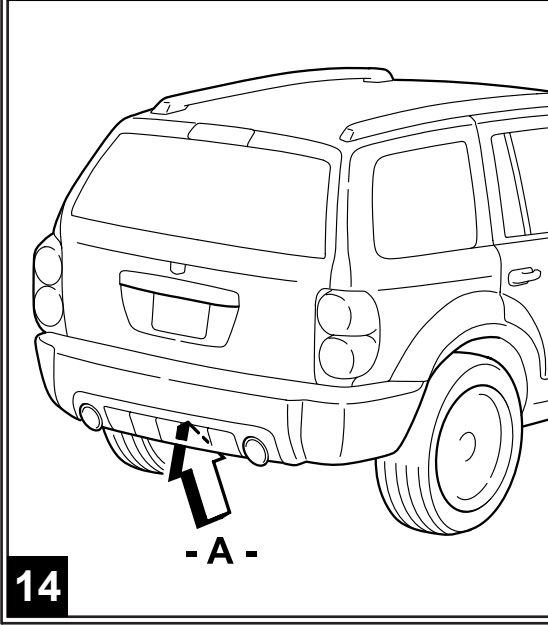
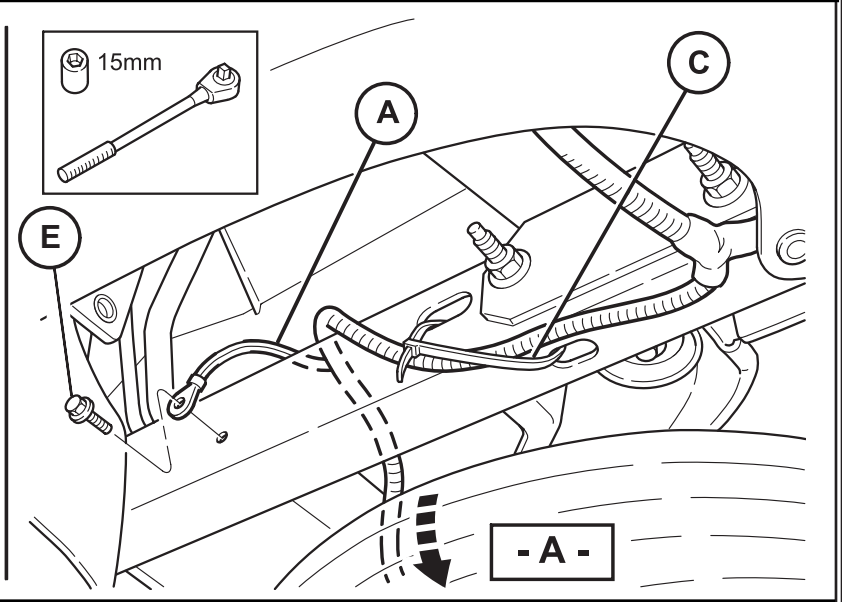
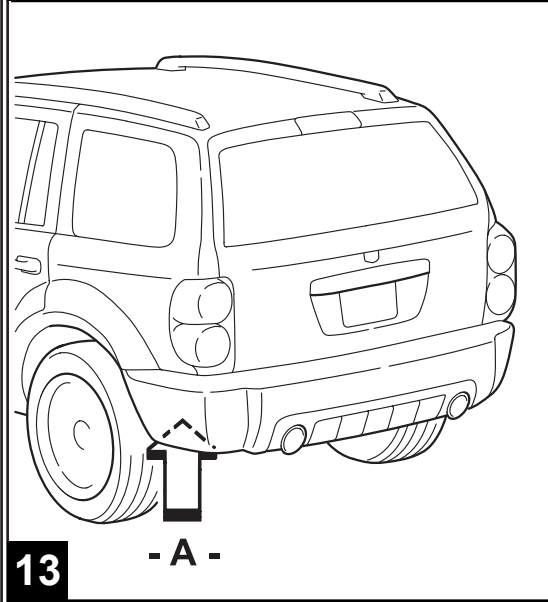
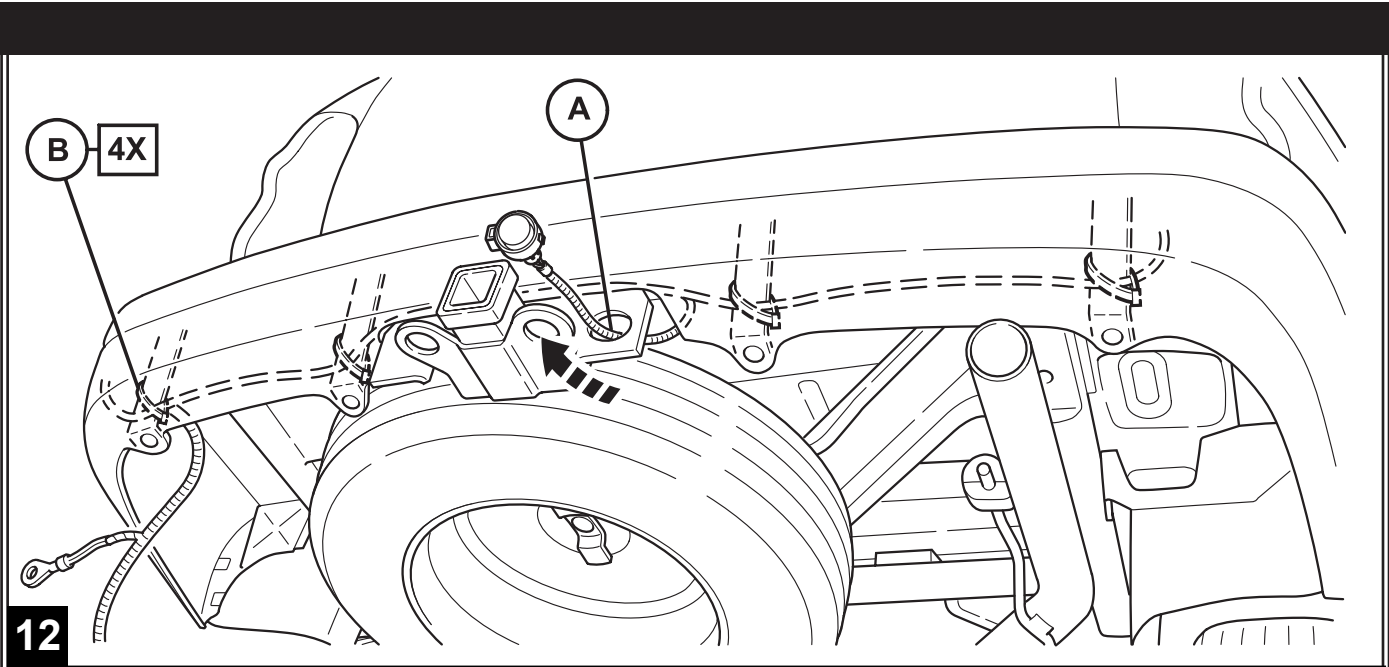
9

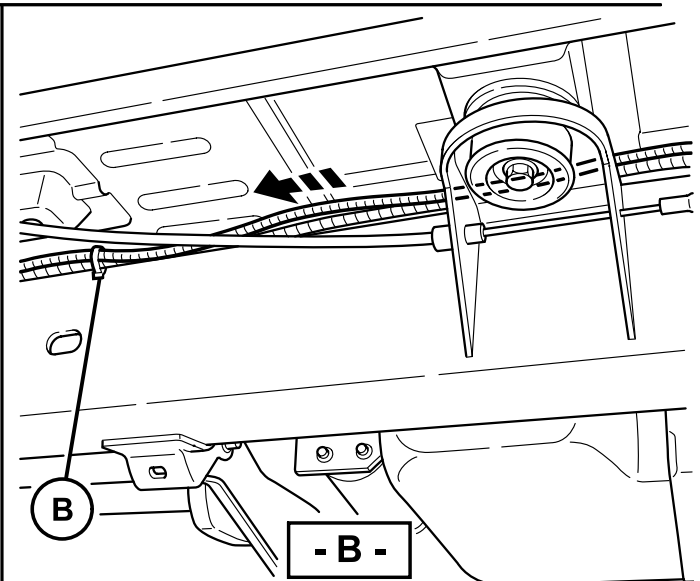
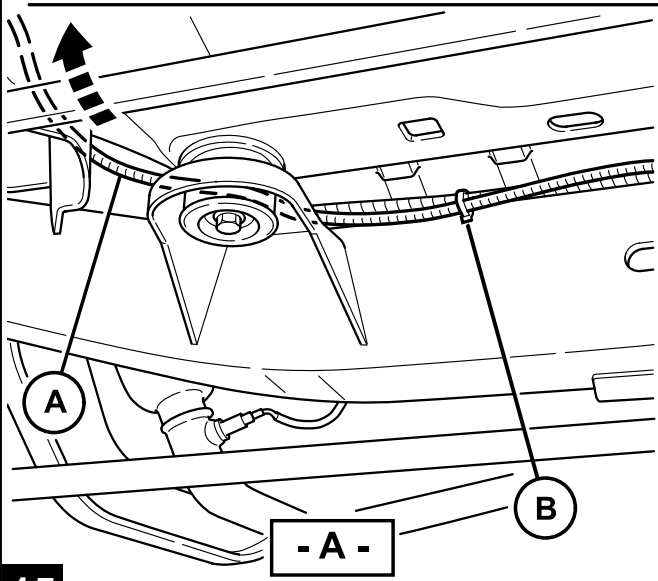
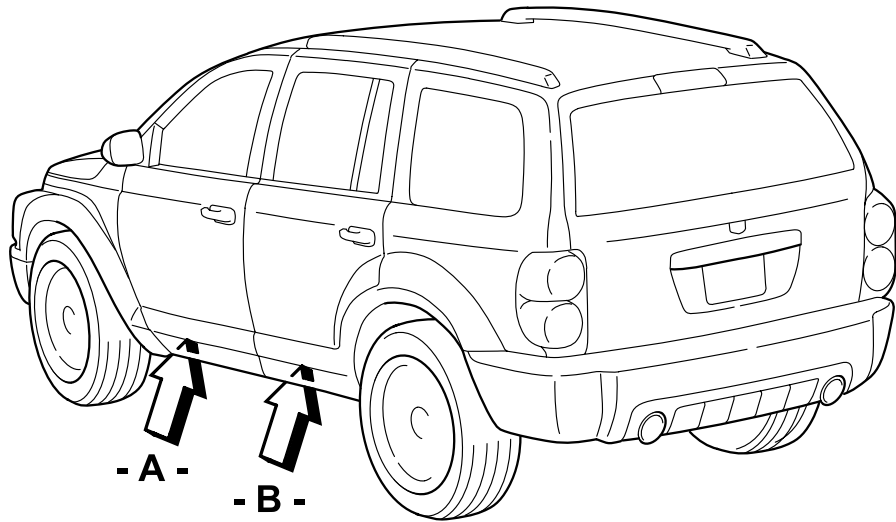


10



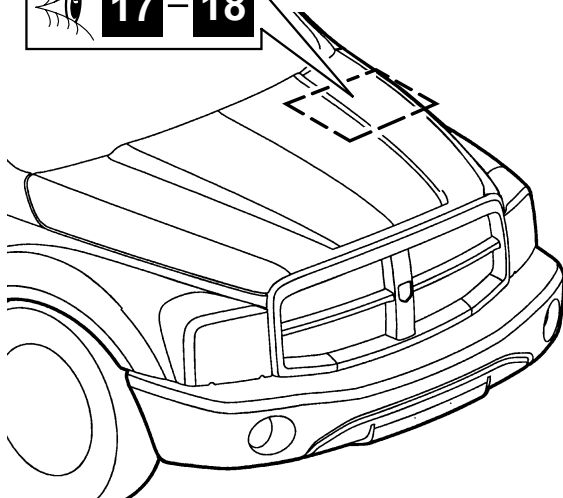
11



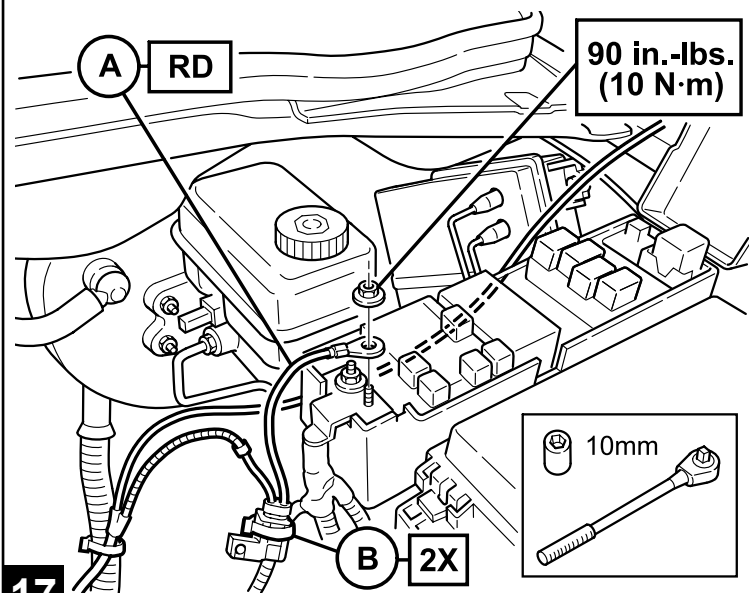


15

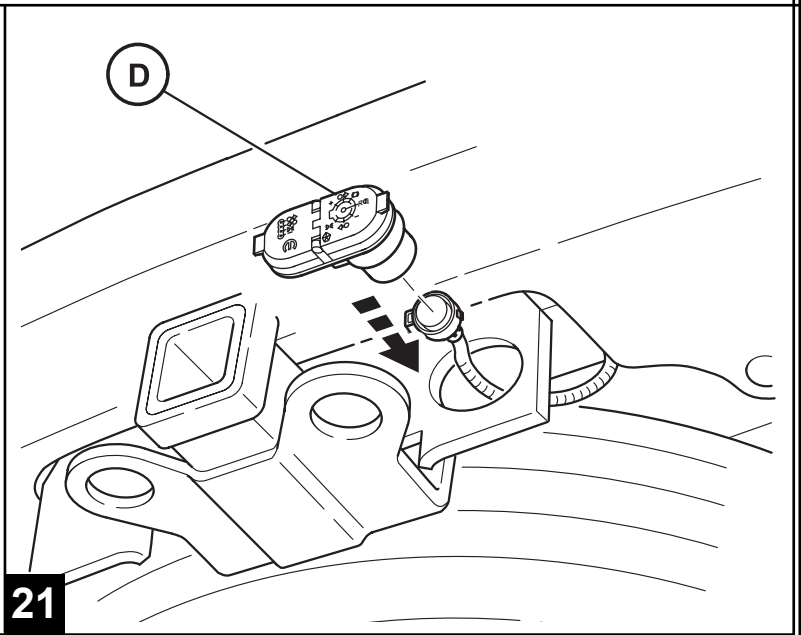
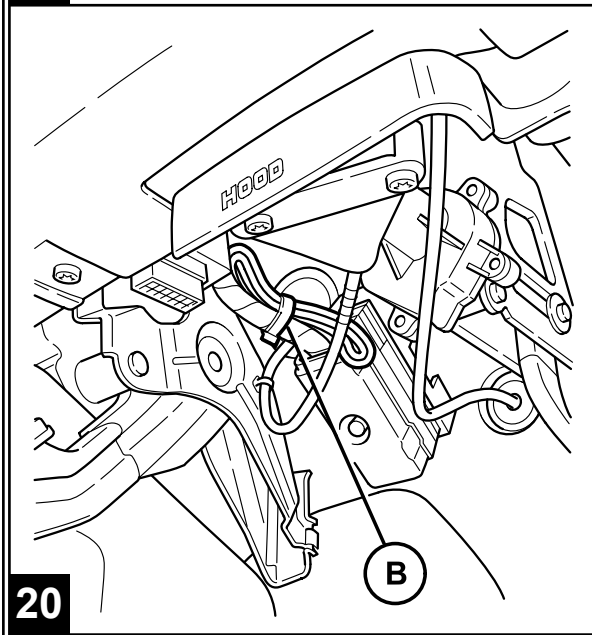
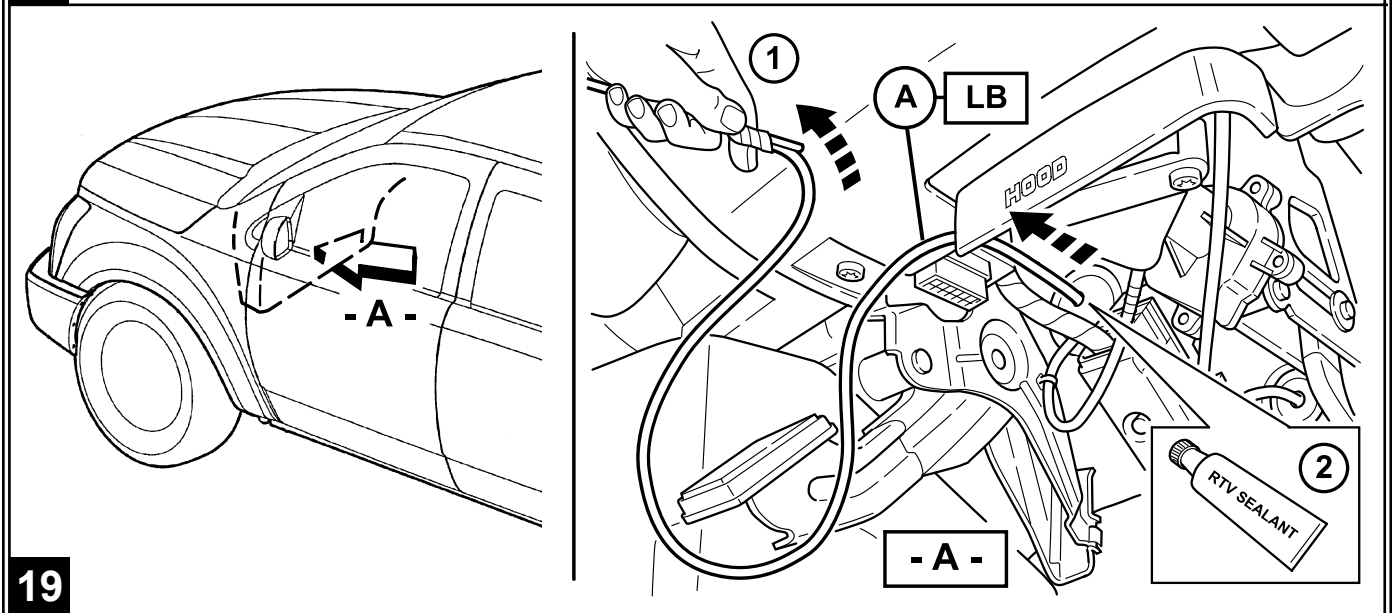
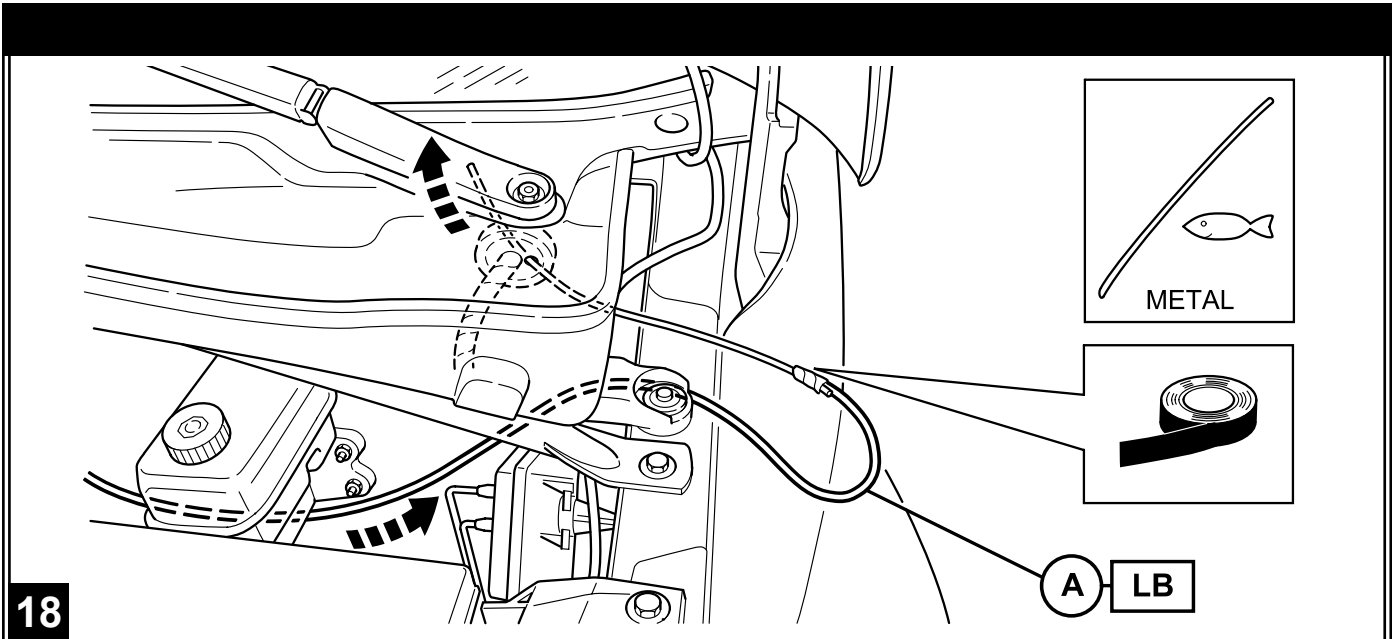
17-18

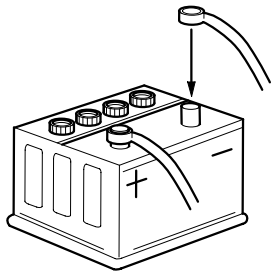


16

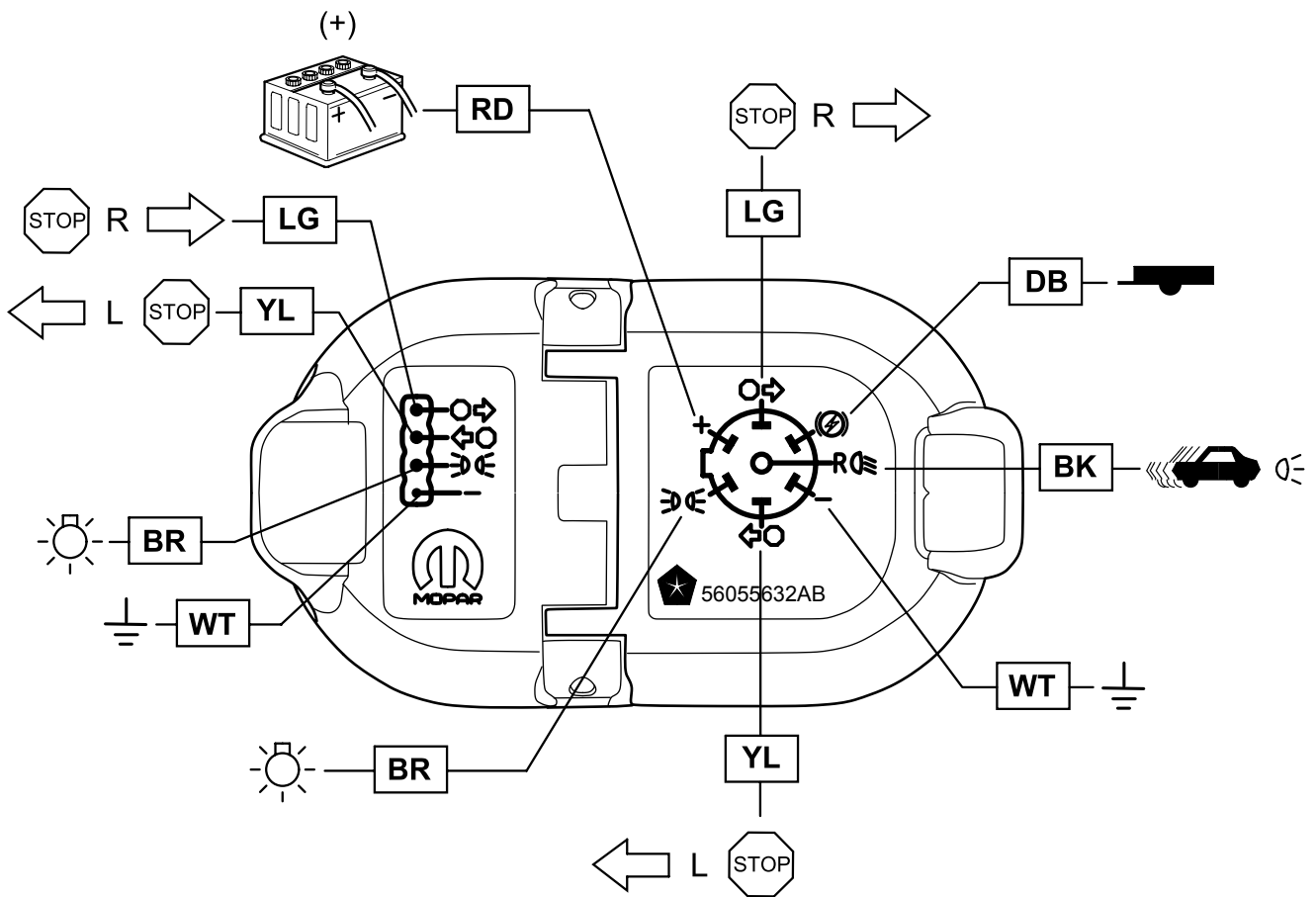


17





22



23