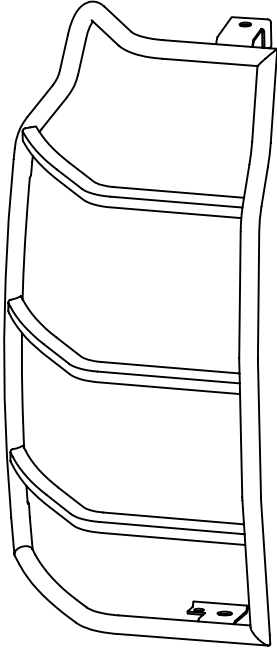




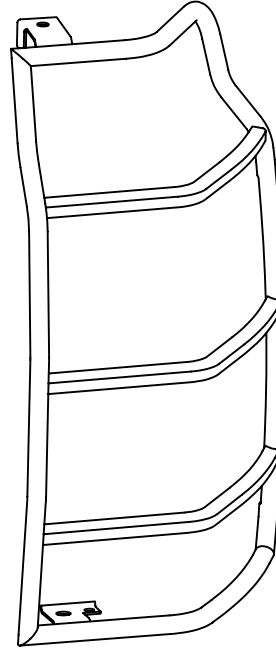
# Jeep Commander

## Tail Light Guards



**A** x1

Drivers Side



**B** x1

Passengers Side

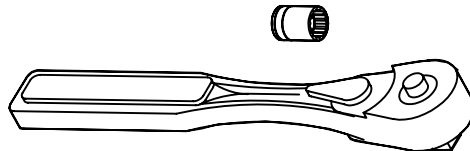
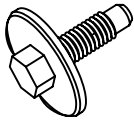


No Washing 24 Hours



70°F / 20°C  
Minimum  
Temperature  
For Product  
Installation

**C** x2



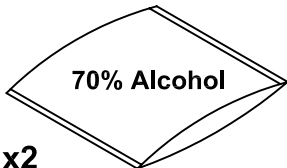
10mm

**D** x2

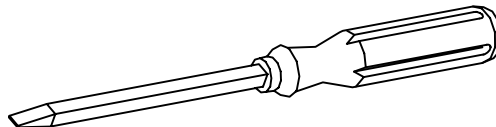


10mm

**E** x2



70% Alcohol





**1**

L / R

C x1

3 minutes

**2**

Remove Tail Lamp

L / R

**3**

Unclip Wire Harness.  
Attach to Small  
Bracket Hole.

**4**

Peel Off Red  
Vinyl Tape  
Backing On  
Short Bracket.  
Peel Off Only  
1" Of Vinyl  
Tape Backing  
On The Long  
Tape Strip.

x1

1" (25mm)  
ONLY!

1" (25mm)  
ONLY!

**5**

Insert Top Bracket Tab Into  
Channel In Top of Tail Lamp

**6**

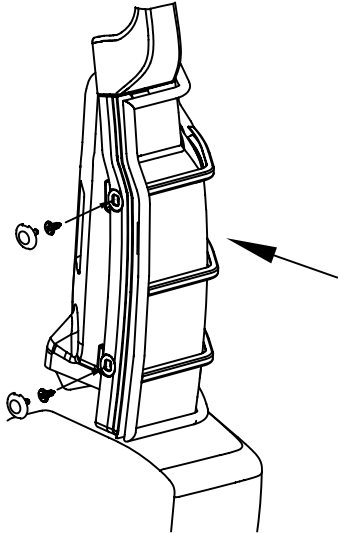
!! DO NOT  
OVERTIGHTEN !!

C

D

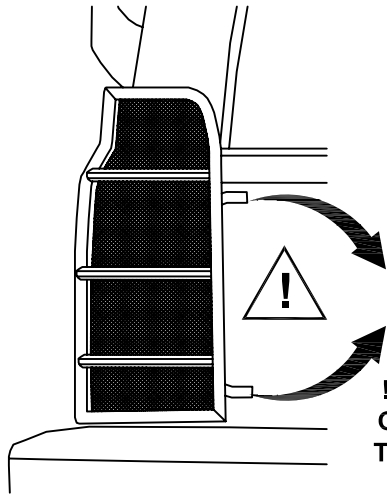


## Reinstall Tail Lamp



7

L / R

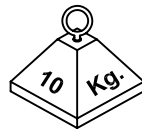
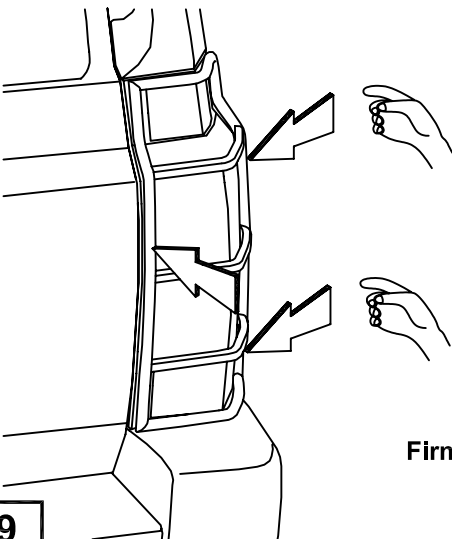


L / R

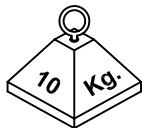
Remove The  
Remaining Vinyl Tape  
Backing By Pulling  
Back The Ends.

!! Warning - Once The  
Guard Is Attached With  
The 3M Tape, It Can Not  
Be Re-Adjusted !!

8



1 Minute



1 Minute

Firmly Apply Pressure For 1 Minute.  
All Positions.

9