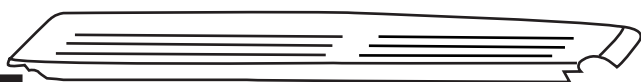
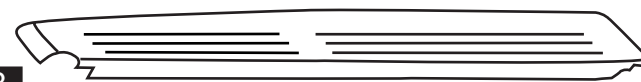

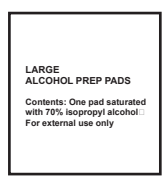

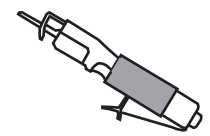
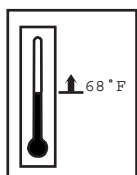
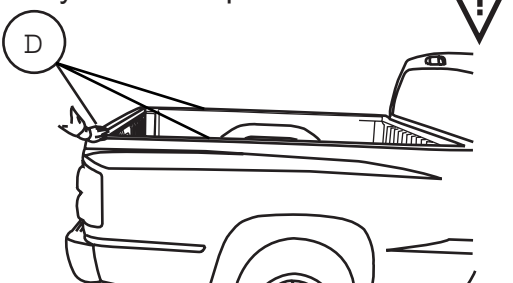
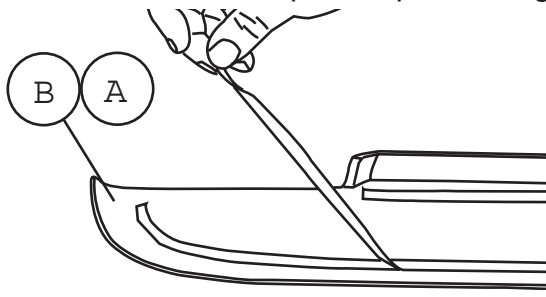
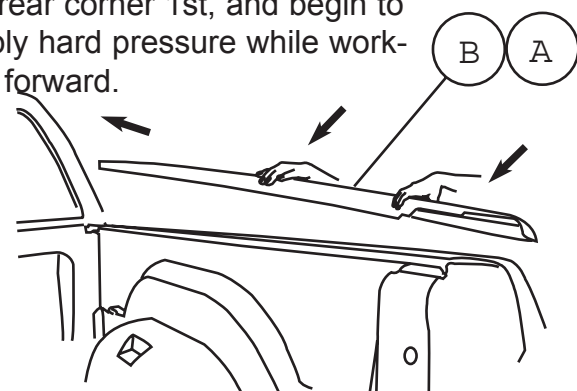
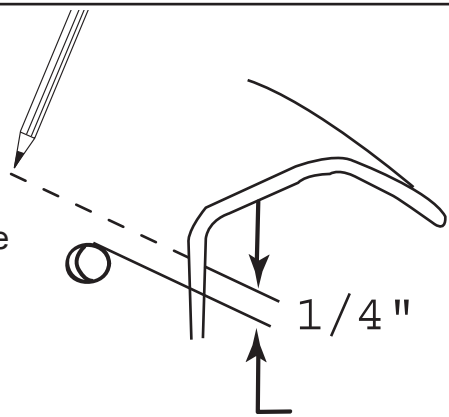
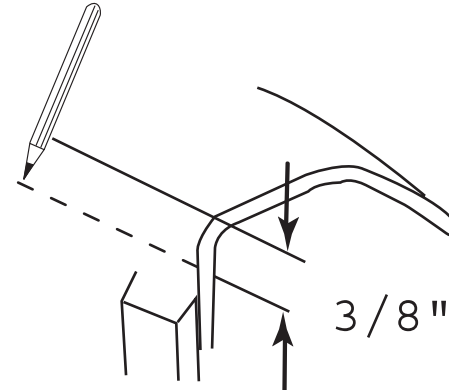
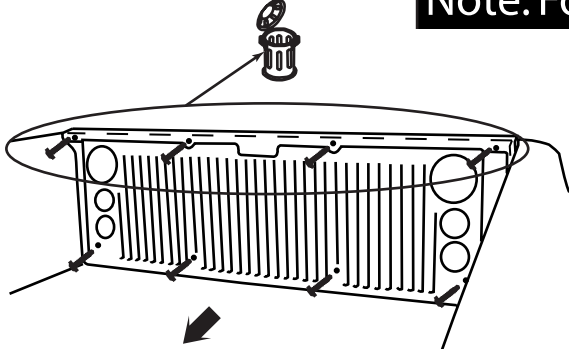




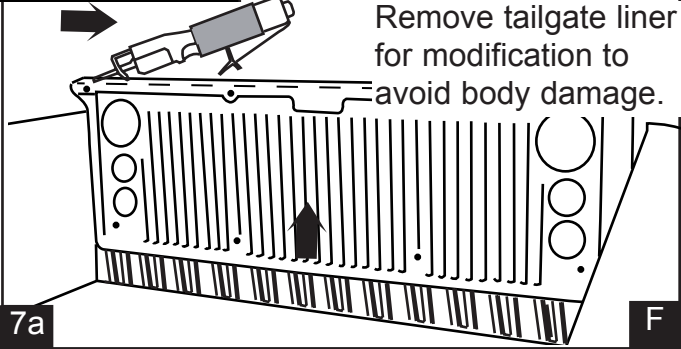
<div style="border: 1px solid black; padding: 5px;"> <p>A</p>  </div> <div style="border: 1px solid black; padding: 5px;"> <p>B</p>  </div> <div style="border: 1px solid black; padding: 5px;"> <p>C</p>  </div>	<table border="1" style="width: 100%; border-collapse: collapse;"> <tr> <td style="width: 20%;">82209285</td> <td style="width: 20%;">82209286</td> <td style="width: 20%;">82209988</td> <td style="width: 20%;">82209989</td> <td style="width: 20%;">82209990</td> </tr> <tr> <td>A - 1</td> <td>A - 1</td> <td>A - 1</td> <td>A - 1</td> <td>C - 1</td> </tr> <tr> <td>B - 1</td> <td>B - 1</td> <td>B - 1</td> <td>B - 1</td> <td>D - 1</td> </tr> <tr> <td>C - 1</td> <td>C - 1</td> <td>D - 2</td> <td>D - 2</td> <td></td> </tr> <tr> <td>D - 3</td> <td>D - 3</td> <td></td> <td></td> <td></td> </tr> <tr> <td>E - 4</td> <td>E - 4</td> <td></td> <td></td> <td></td> </tr> </table>	82209285	82209286	82209988	82209989	82209990	A - 1	A - 1	A - 1	A - 1	C - 1	B - 1	B - 1	B - 1	B - 1	D - 1	C - 1	C - 1	D - 2	D - 2		D - 3	D - 3				E - 4	E - 4			
82209285	82209286	82209988	82209989	82209990																											
A - 1	A - 1	A - 1	A - 1	C - 1																											
B - 1	B - 1	B - 1	B - 1	D - 1																											
C - 1	C - 1	D - 2	D - 2																												
D - 3	D - 3																														
E - 4	E - 4																														
<div style="border: 1px solid black; padding: 5px;"> <p>1</p> <p style="text-align: center;">CAUTION</p> <p>Note: Test fit parts for proper fit prior to removing tape backing. If required, modify bedliner tailgate cover (steps 7a-12a,7b-10b)</p> </div>	<div style="border: 1px solid black; padding: 5px;"> <p>D</p>  <p style="font-size: 8px;">LARGE ALCOHOL PREP PADS Contents: One pad saturated with 70% Isopropyl alcohol. For external use only.</p> </div> <div style="border: 1px solid black; padding: 5px;"> <p>E</p>  </div> <div style="border: 1px solid black; padding: 5px;"> <p>F</p>  </div>																														
<div style="border: 1px solid black; padding: 5px;"> <p>2</p> <p>Clean with soap & water followed by alcohol wipes.</p>   </div>	<div style="border: 1px solid black; padding: 5px;"> <p>3</p> <p>Note: Remove both strips of tape backing.</p>  </div>																														
<div style="border: 1px solid black; padding: 5px;"> <p>4</p> <p>Fit rear corner 1st, and begin to apply hard pressure while working forward.</p>  </div>	<div style="border: 1px solid black; padding: 5px;"> <p>5a</p> <p>Using grease pencil, mark a line 1/4" above the holes in tailgate liner.</p>  </div>																														
<div style="border: 1px solid black; padding: 5px;"> <p>5b</p> <p>Using grease pencil, mark a line 3/8" below top of tailgate liner.</p>  </div>	<div style="border: 1px solid black; padding: 5px;"> <p style="text-align: center;">Note: For Dakota Only</p> </div>																														

<p>Subject to alteration without notice Veränderungen vorbehalten Reservadas modificaciones técnicas Assujetti à des modifications sans préavis</p> <p>Expert Fitment Required Fachmännische Einrichtung notwendig Montaje sólo por el concesionario Montage par spécialiste nécessaire</p>	<p>K6859727 July-2005</p> <p>© </p>
---------------------------------------------------------------------------------------------------------------------------------------------------------------------------------------------------------------------------------------------------------------------------------------------------------------------	-----------------------------------------

Note: For Dakota Only



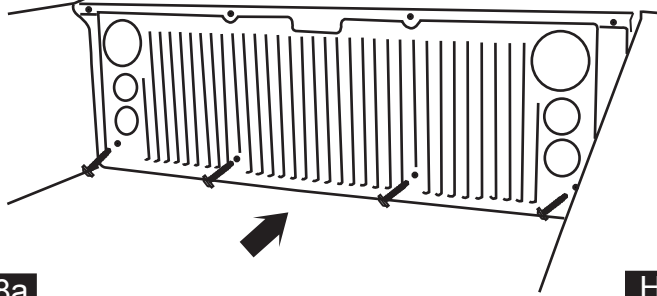
6a



H 7a

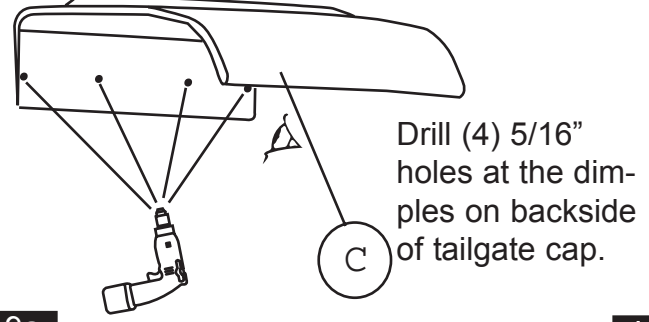
Remove tailgate liner for modification to avoid body damage.

F




8a

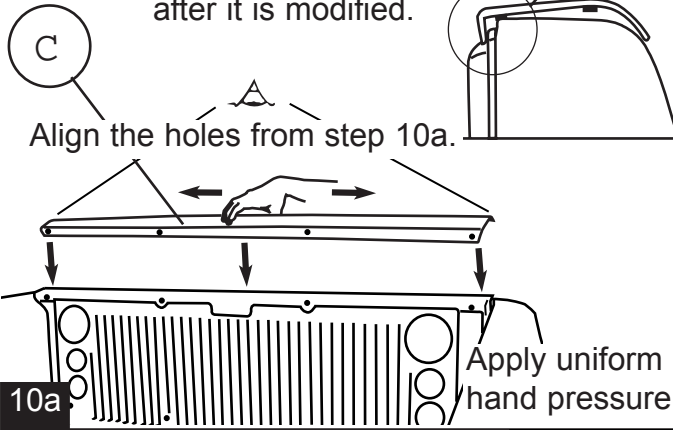
H 9a



Drill (4) 5/16" holes at the dimples on backside of tailgate cap.

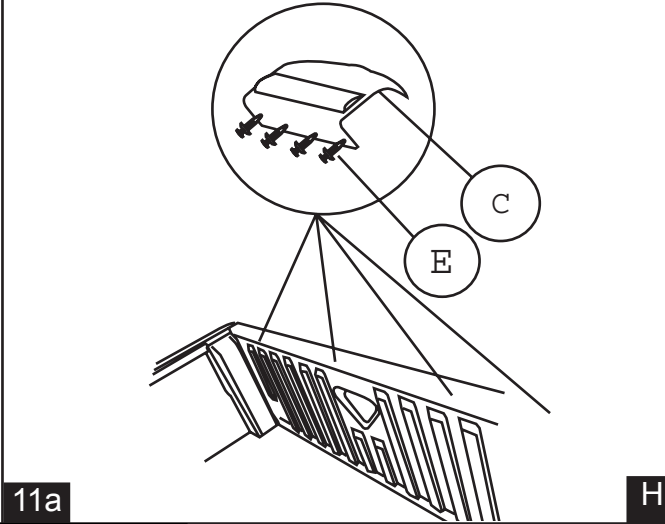
I

4  Molded tailgate cap cover is designed to "overlap" the OEM bedliner tailgate cover after it is modified.



10a

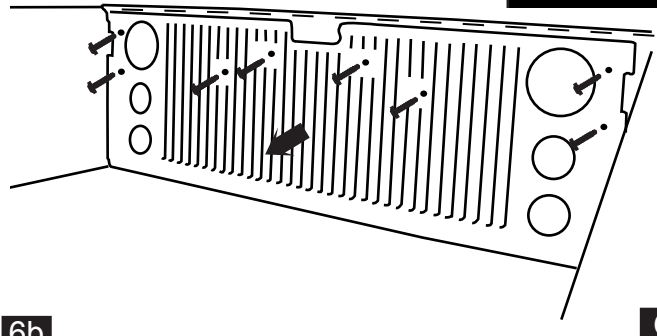
Apply uniform hand pressure.



11a

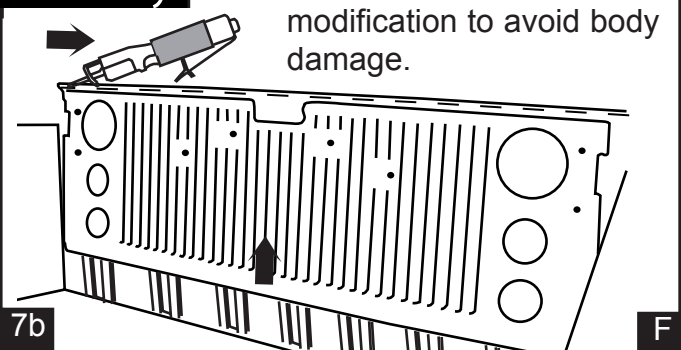
H

Note: for Ram Only



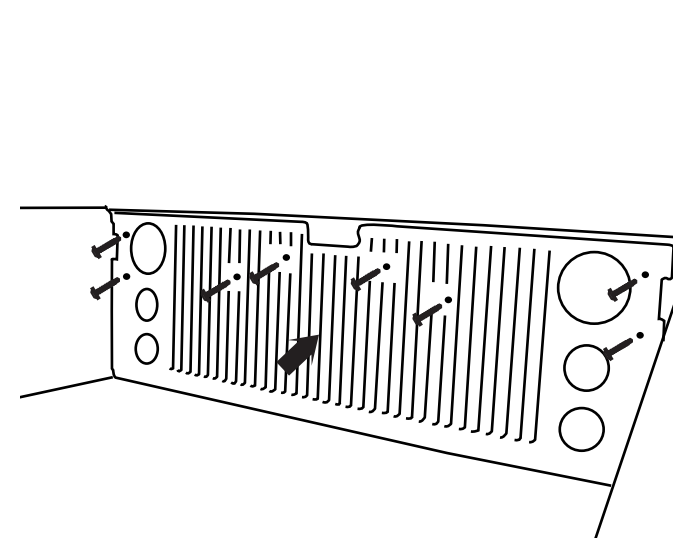
6b

G 7b




Remove tailgate liner for modification to avoid body damage.

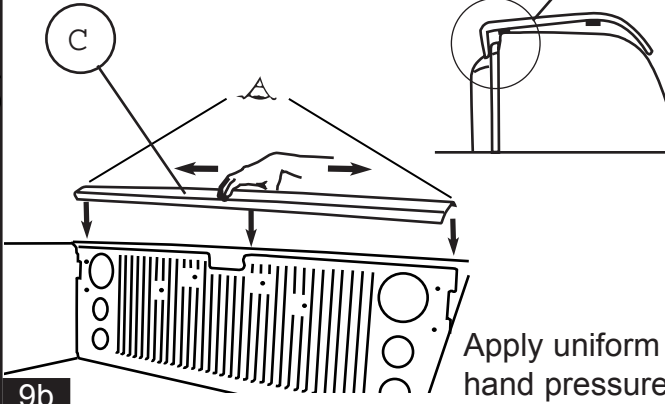
F



8b

G 9b

4  Molded tailgate cap cover is designed to "overlap" the OEM bedliner tailgate cover after it is modified.



Apply uniform hand pressure.