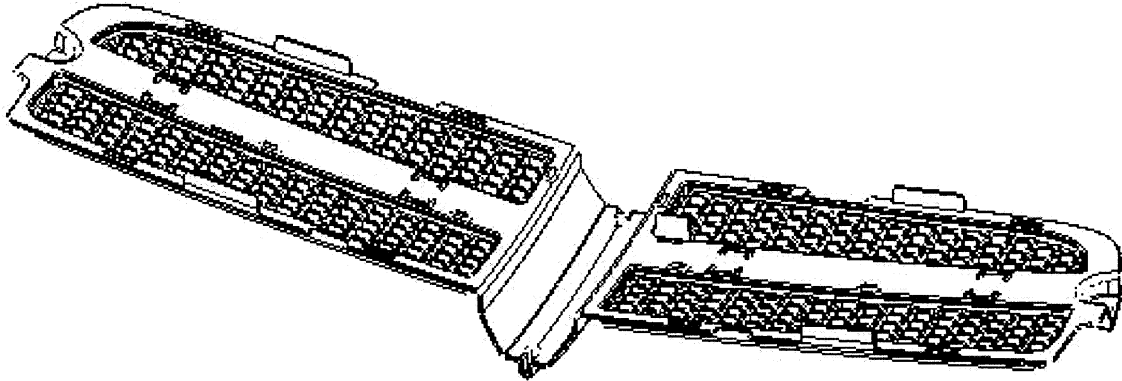




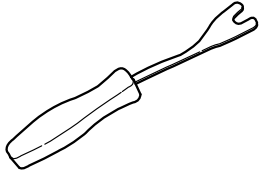
MOPAR®

# DODGE CHARGER

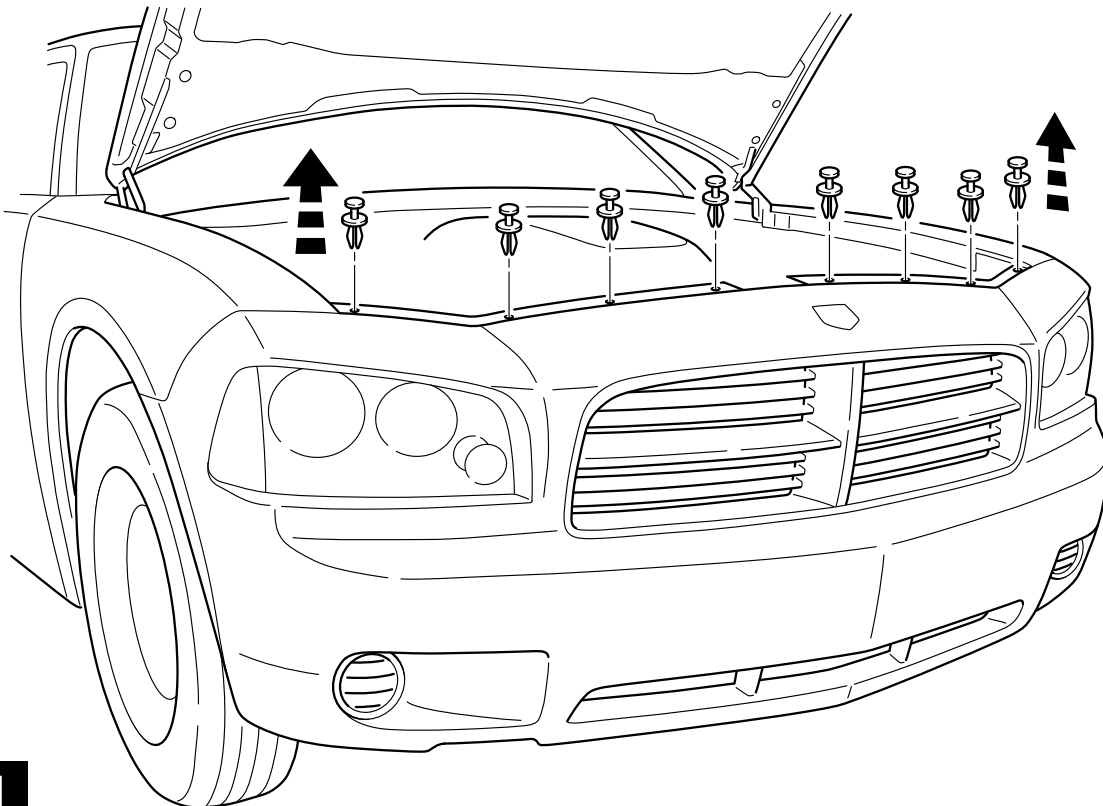
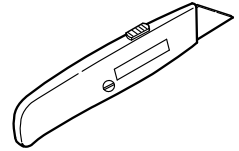
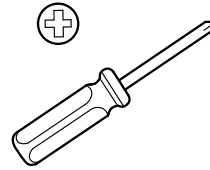
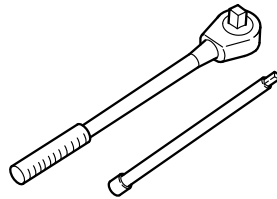
## Front Grille



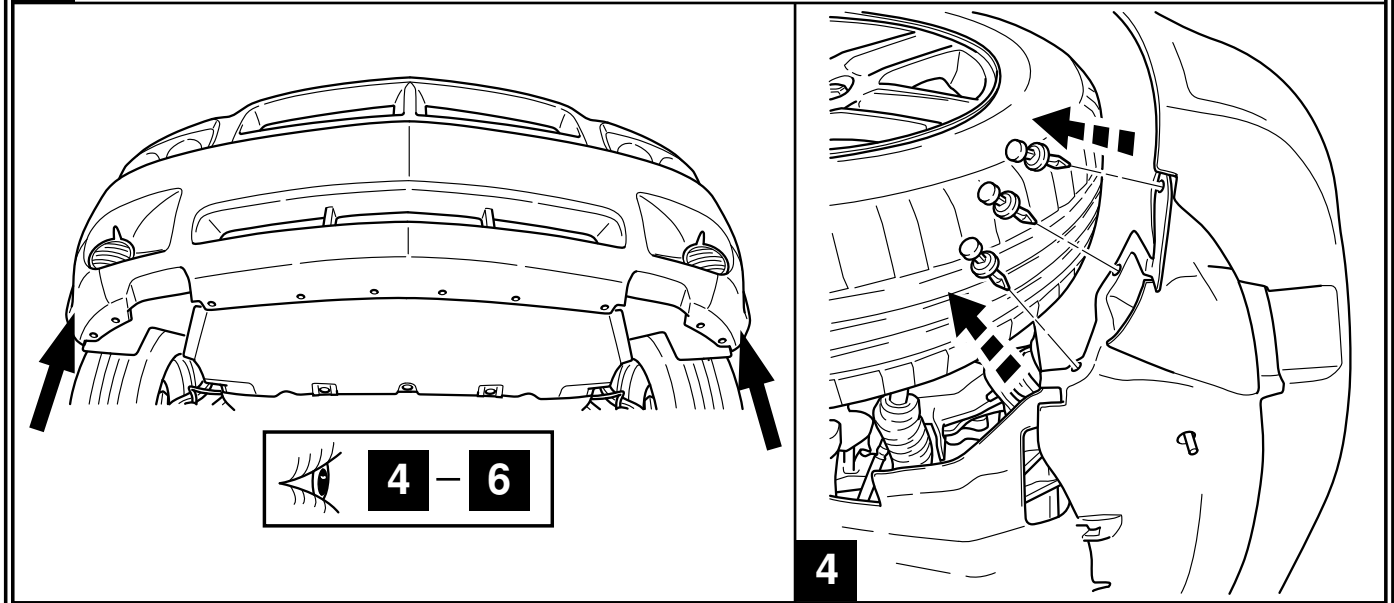
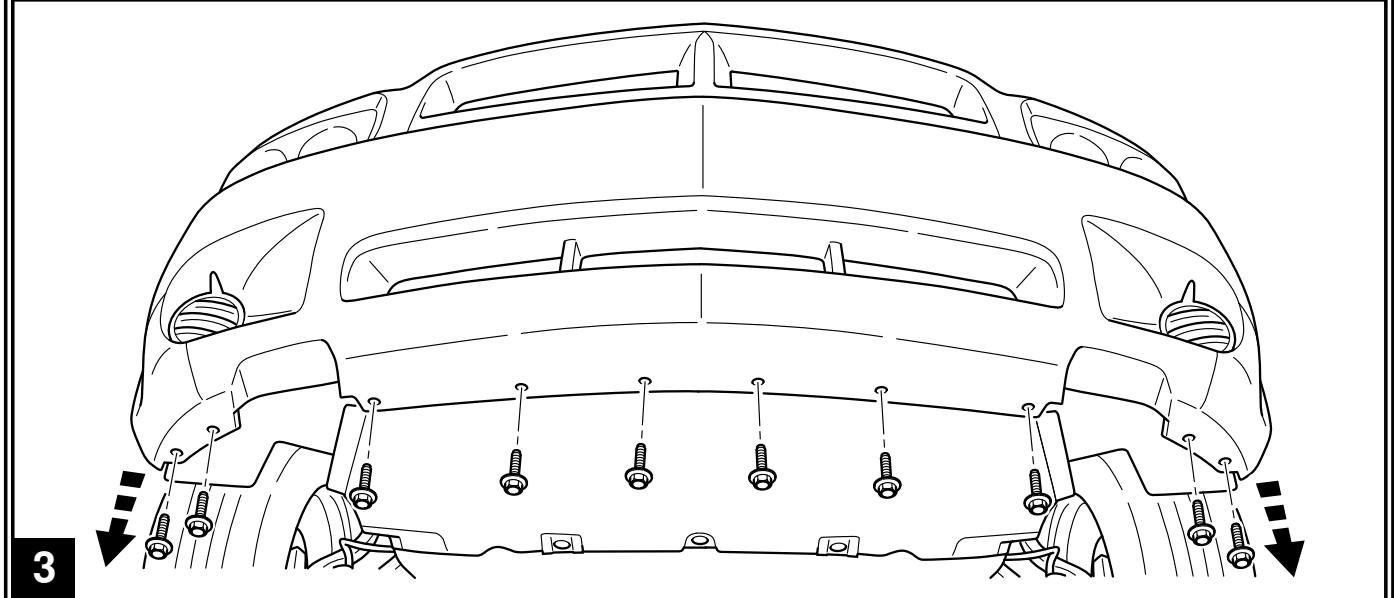
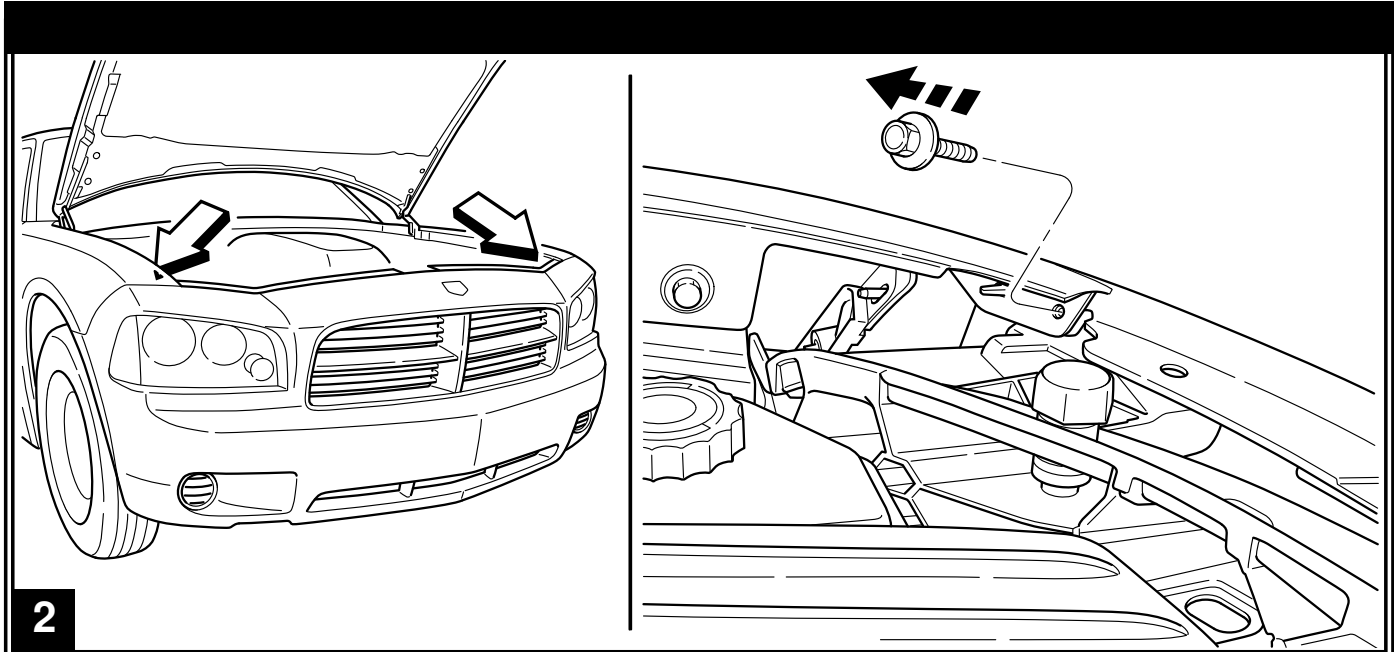
**A**

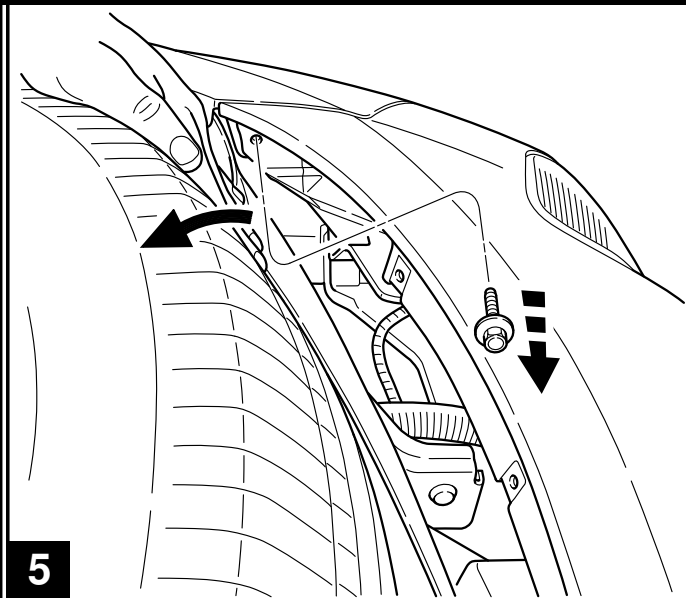


- 7mm
- 10mm
- 10mm

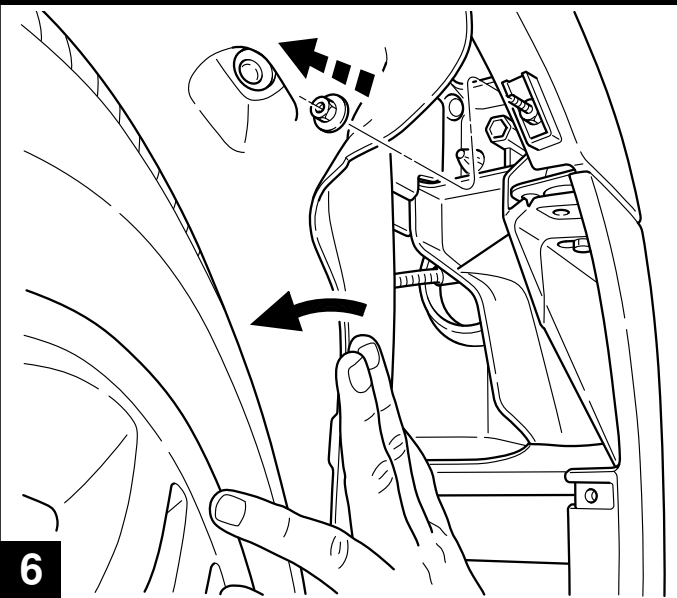


**1**

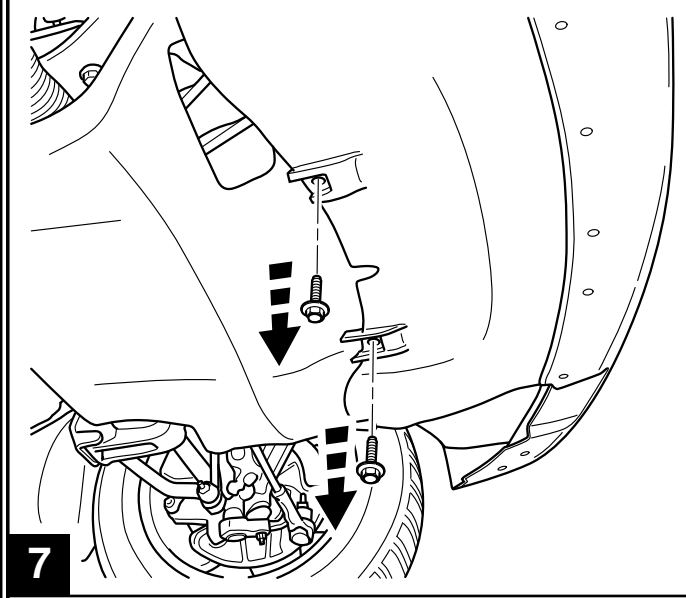




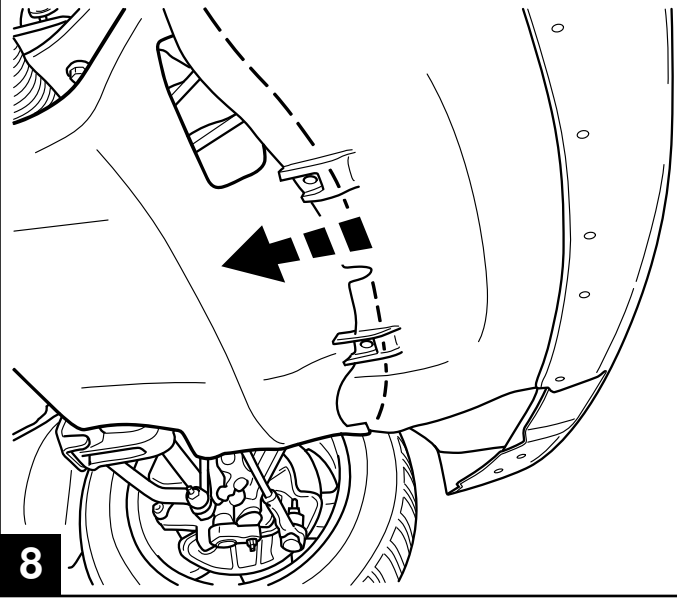
5



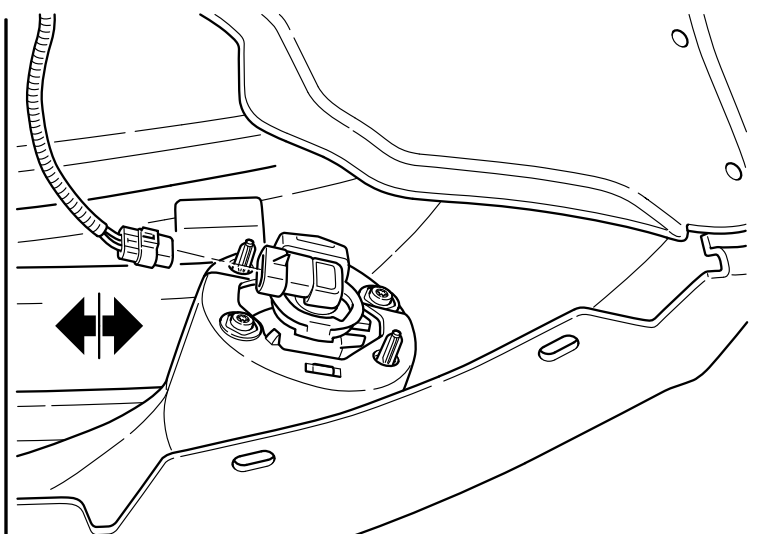
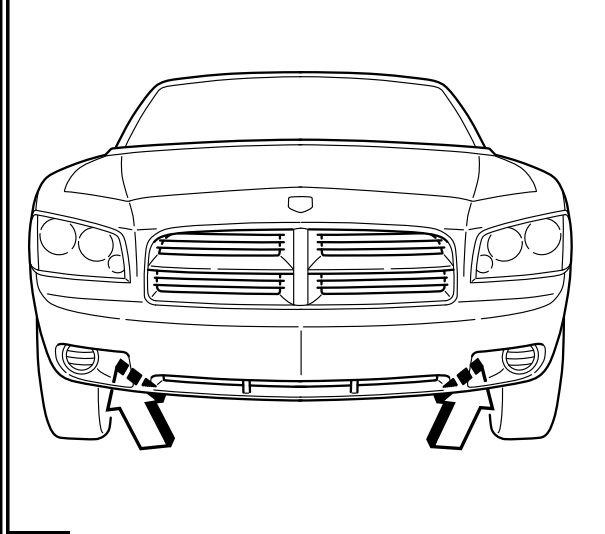
6



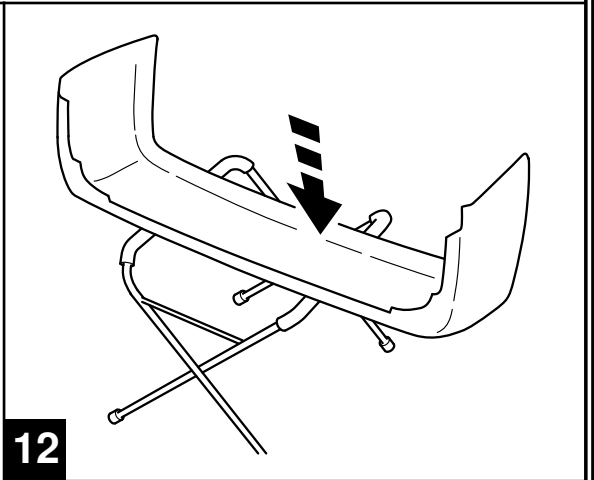
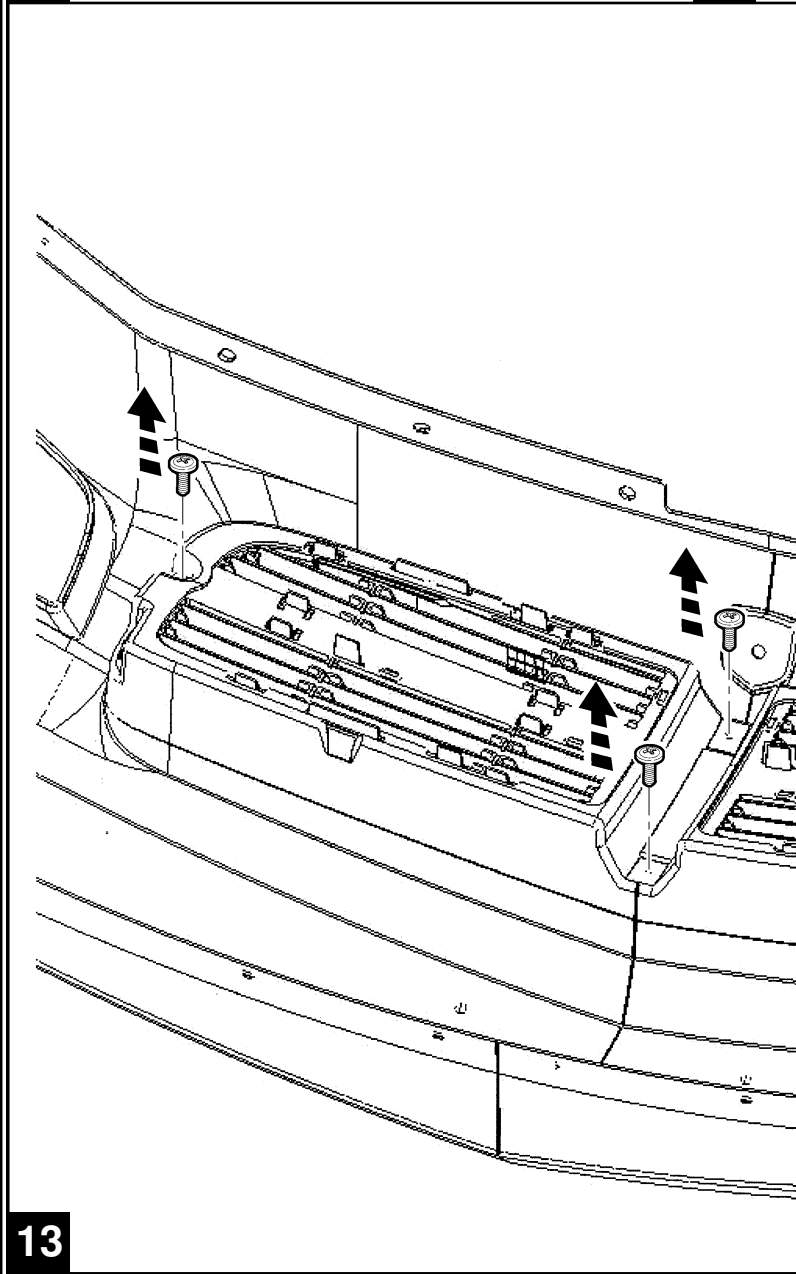
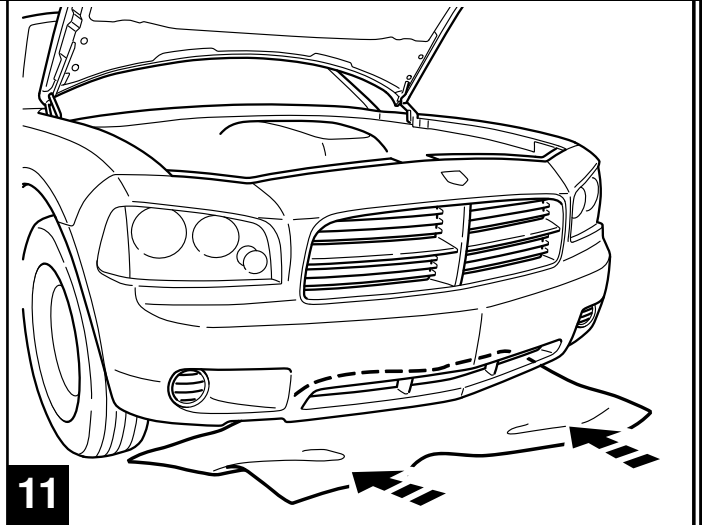
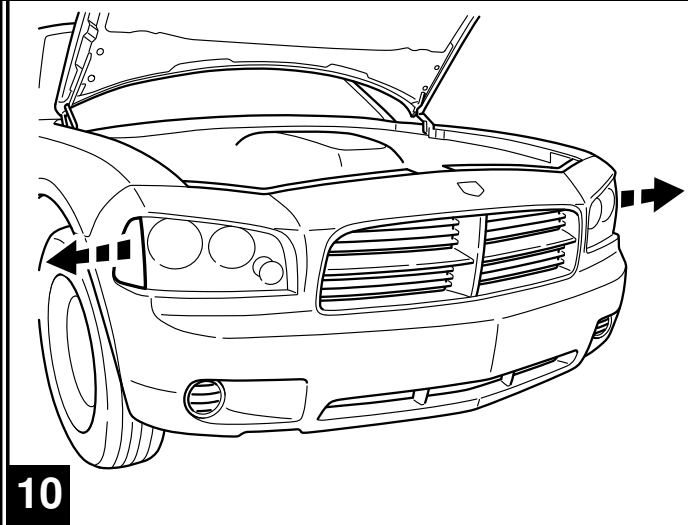
7

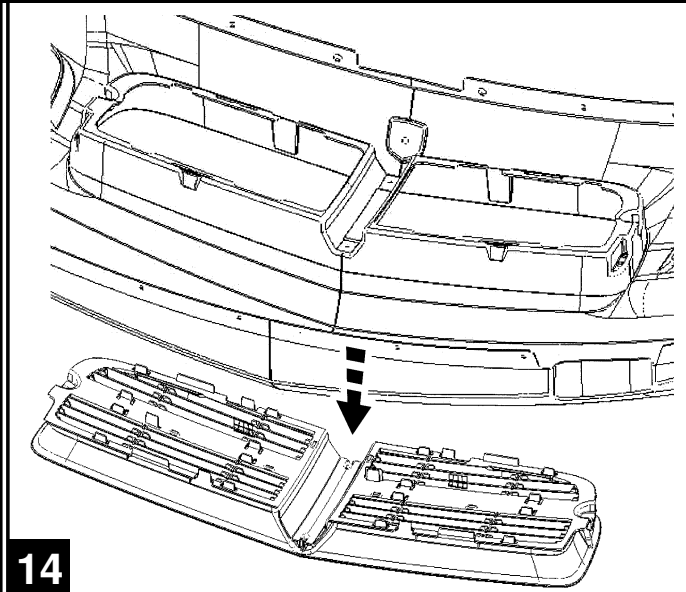


8

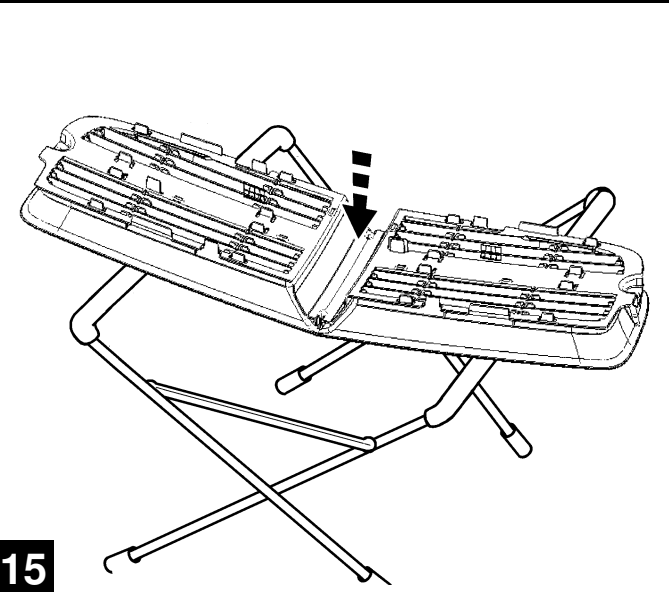


9 Disconnect fog lamps, if equipped.

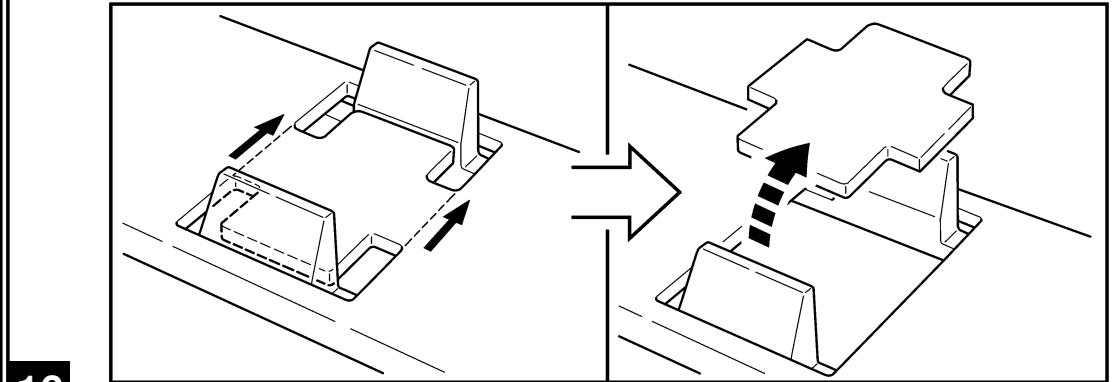
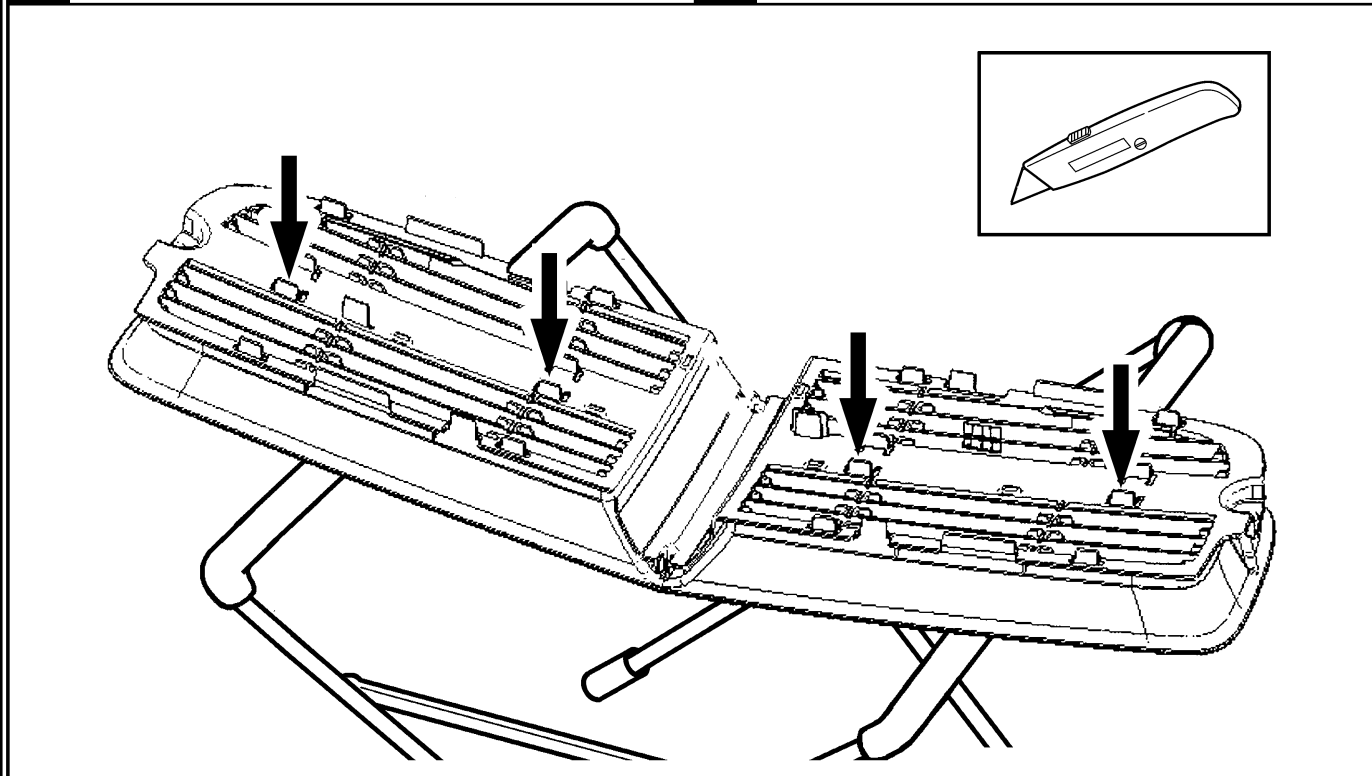




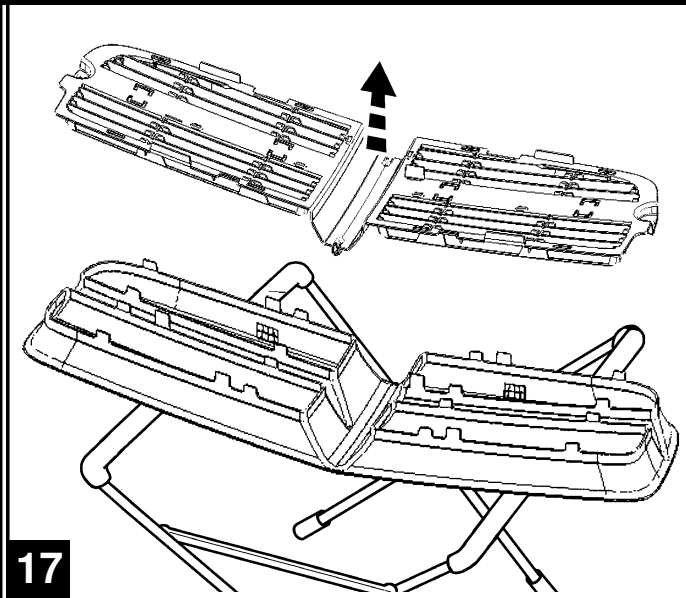
14



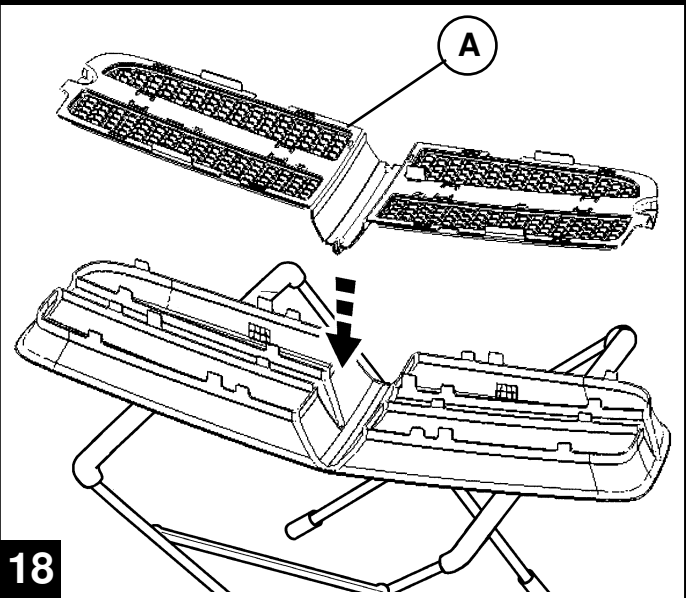
15



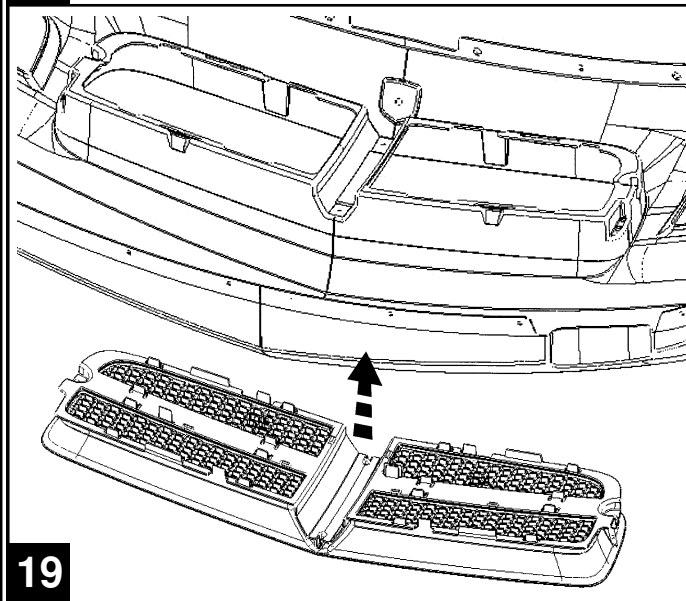
16



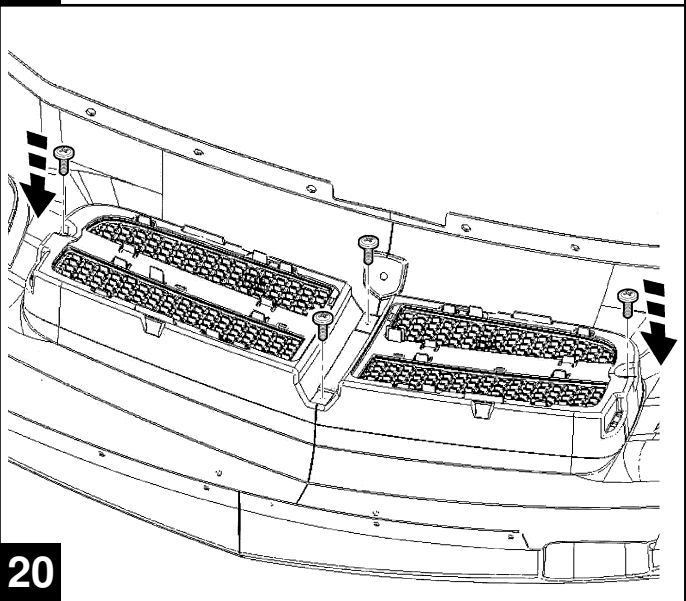
17



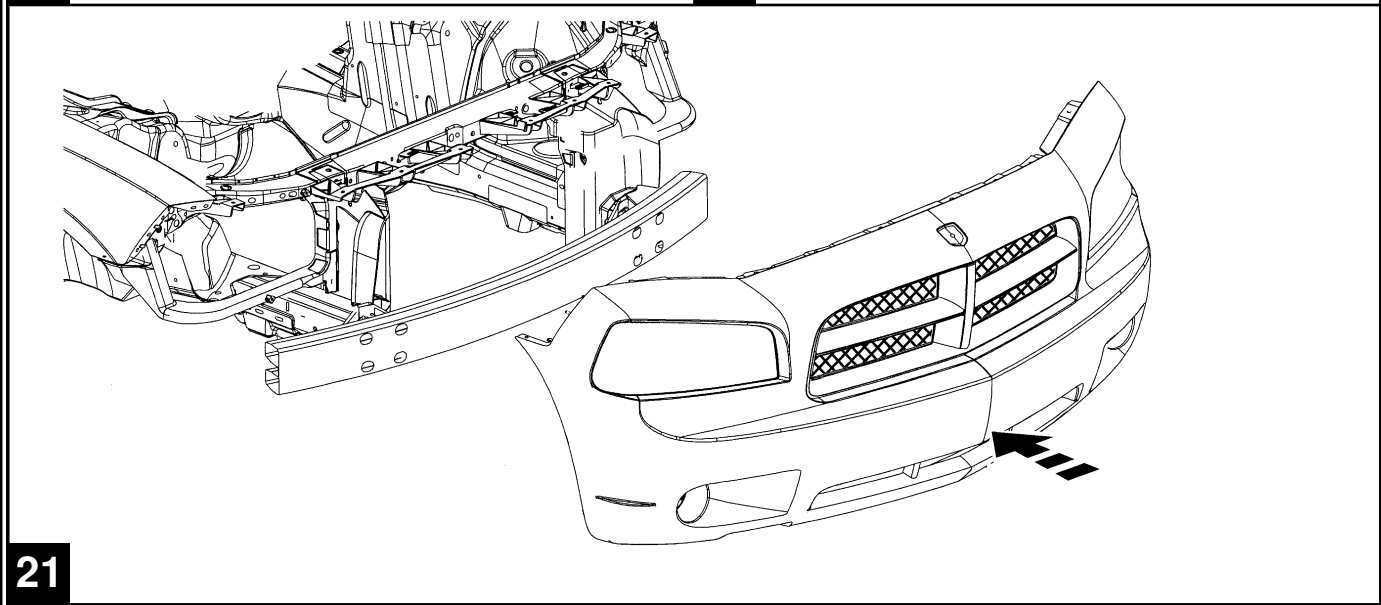
18



19



20



21