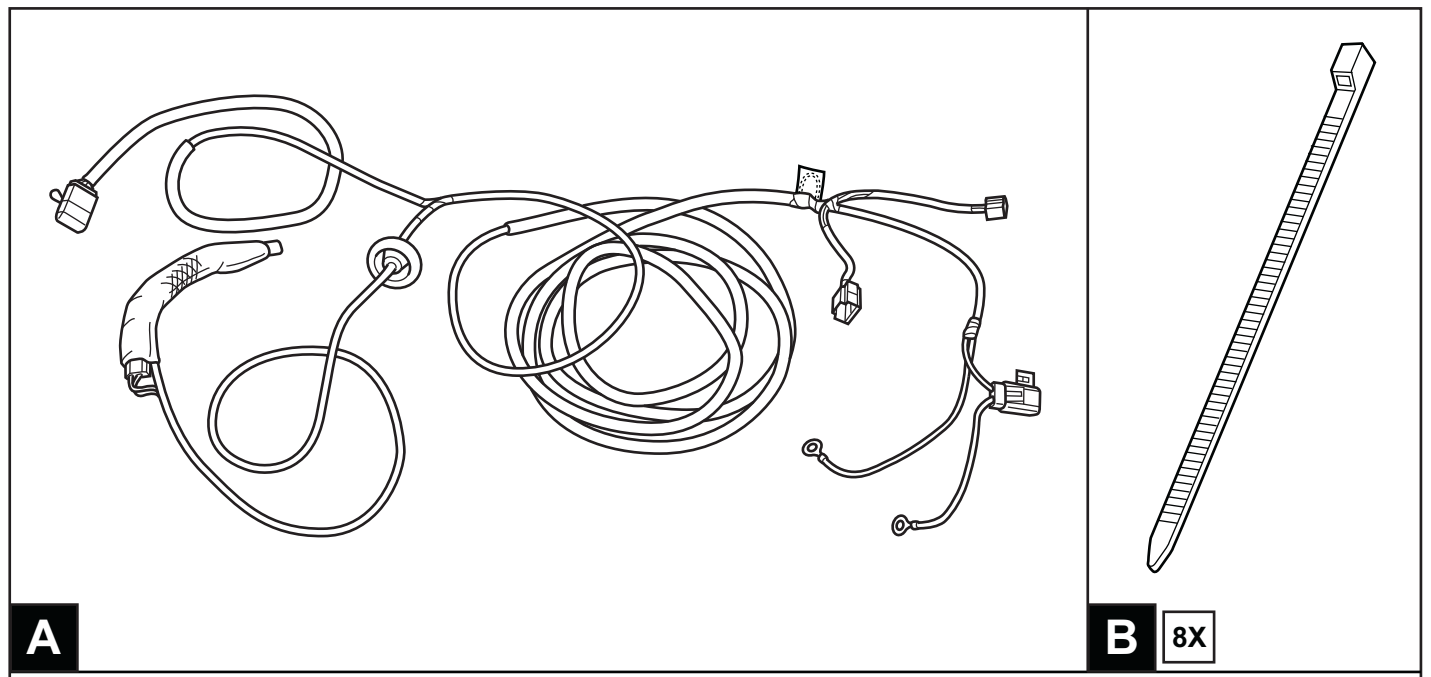


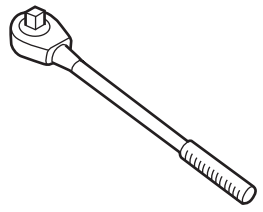

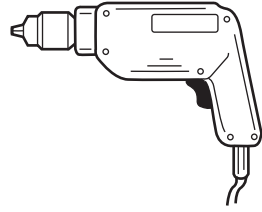
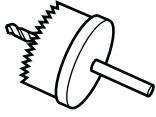
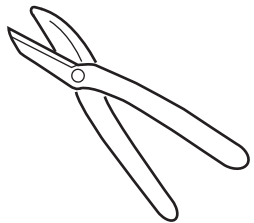
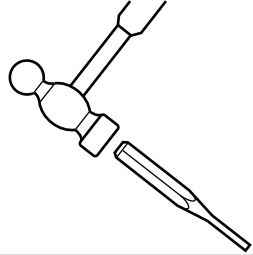
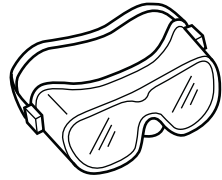
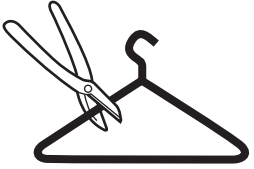


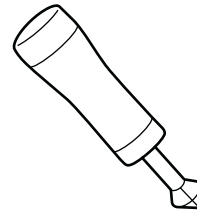

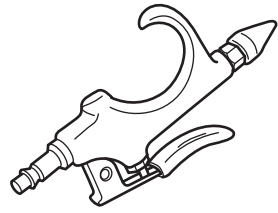



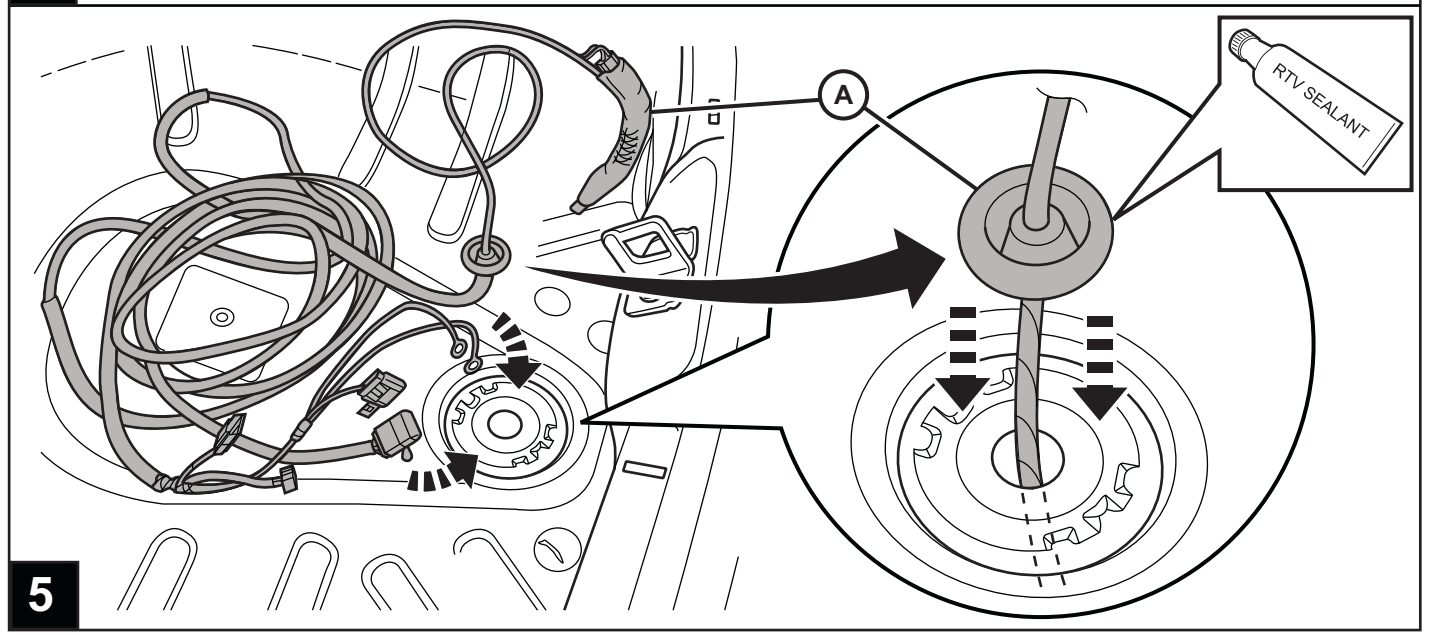
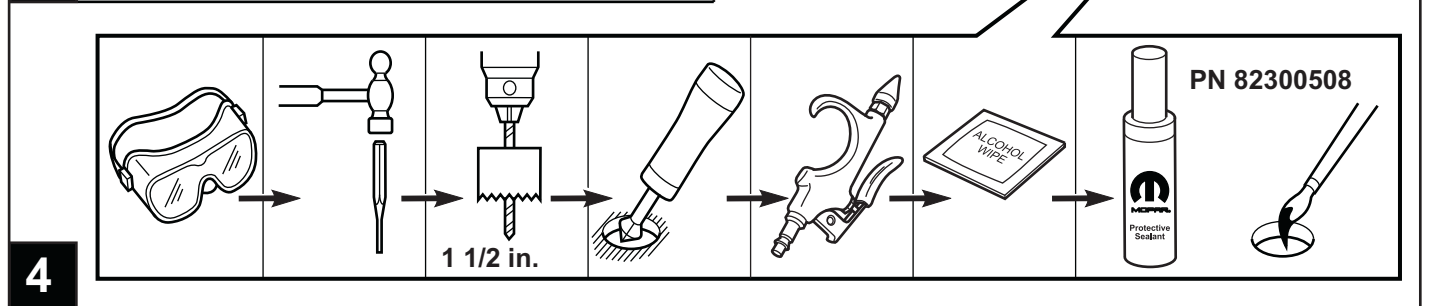
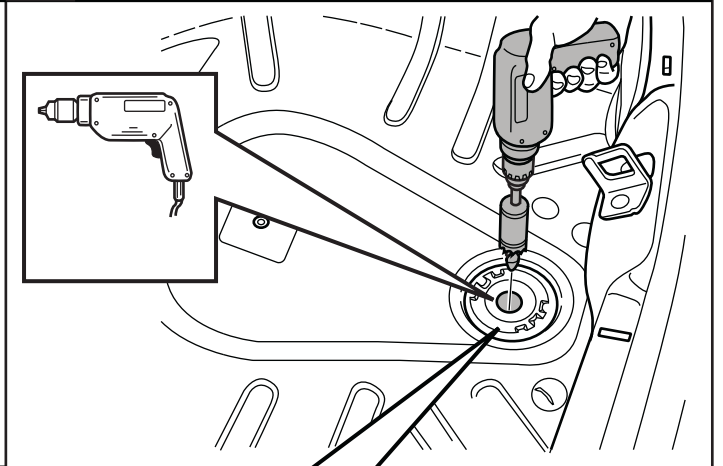
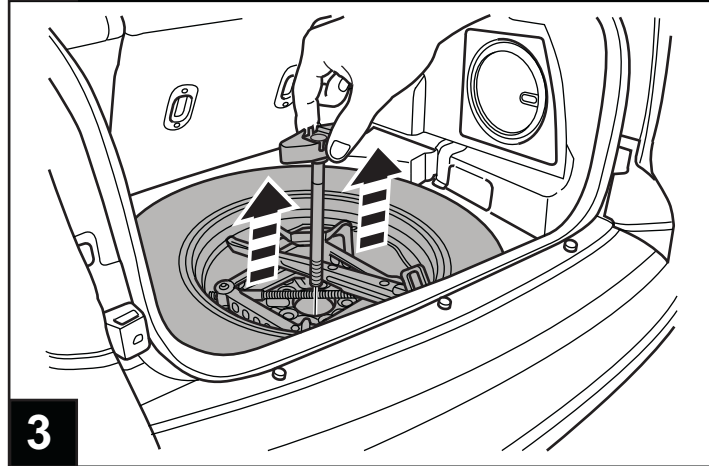
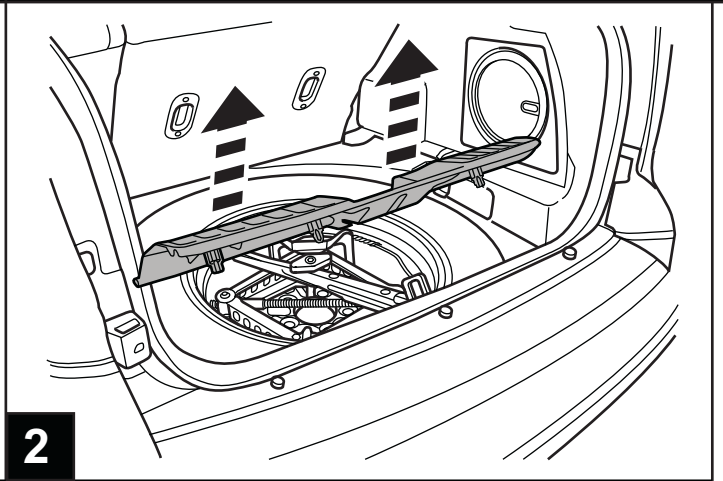
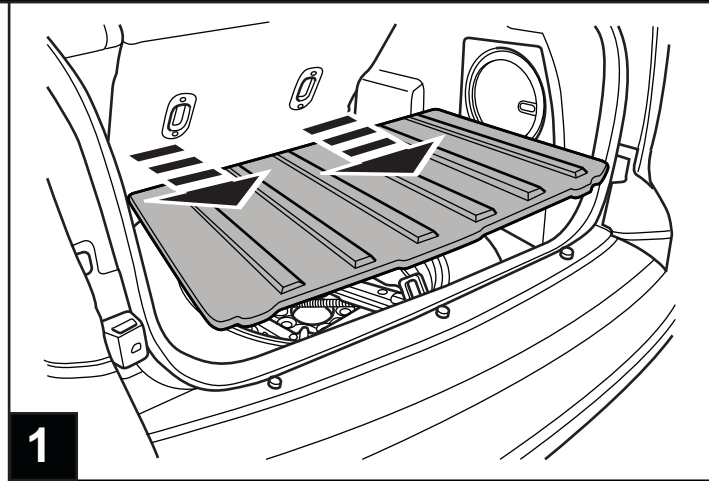
MOPAR®

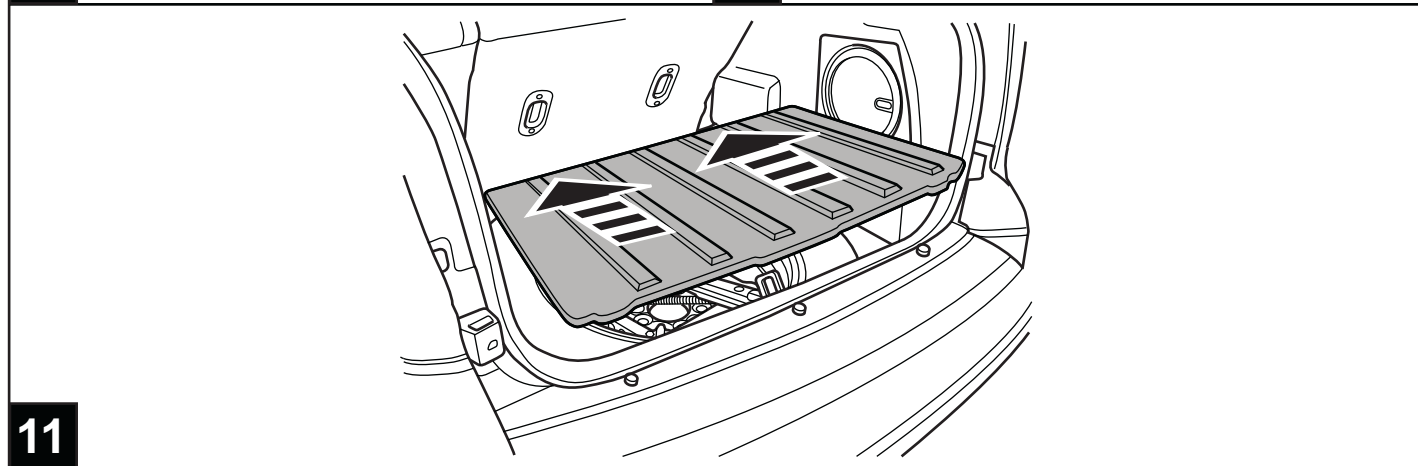
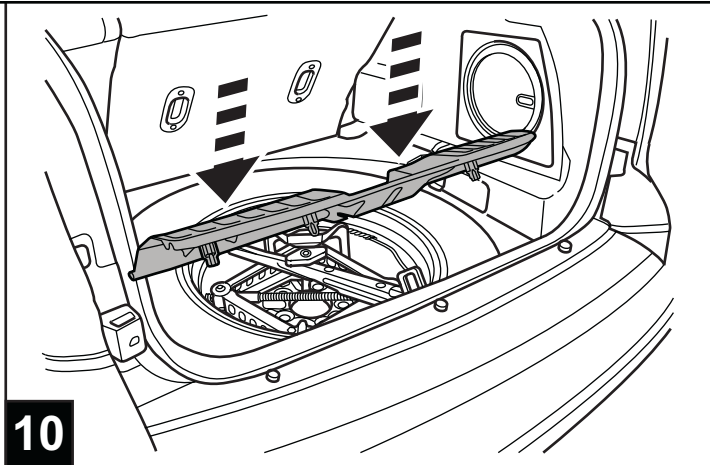
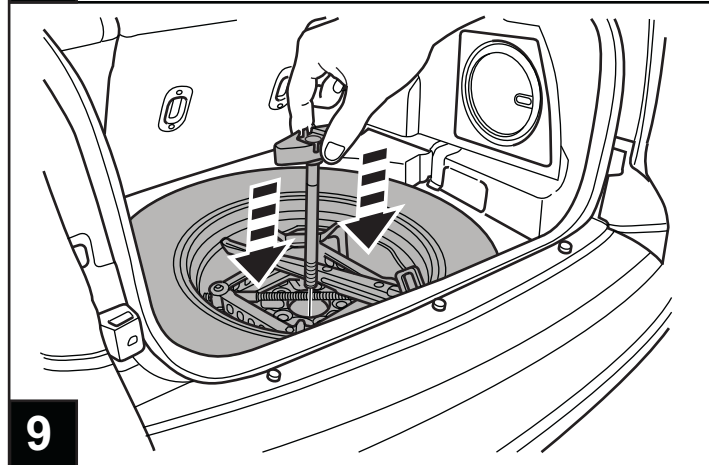
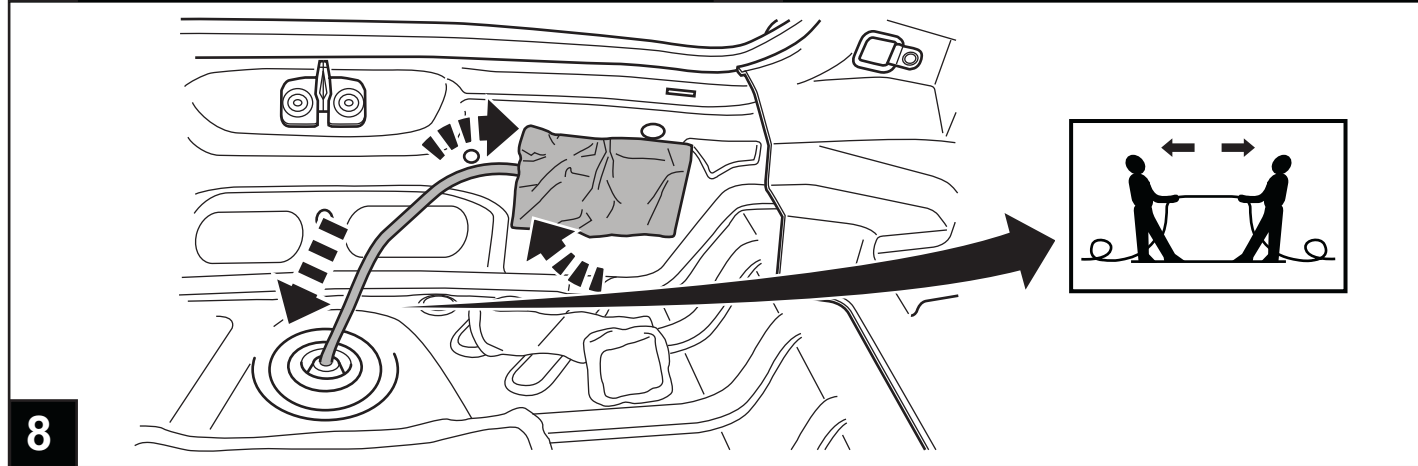
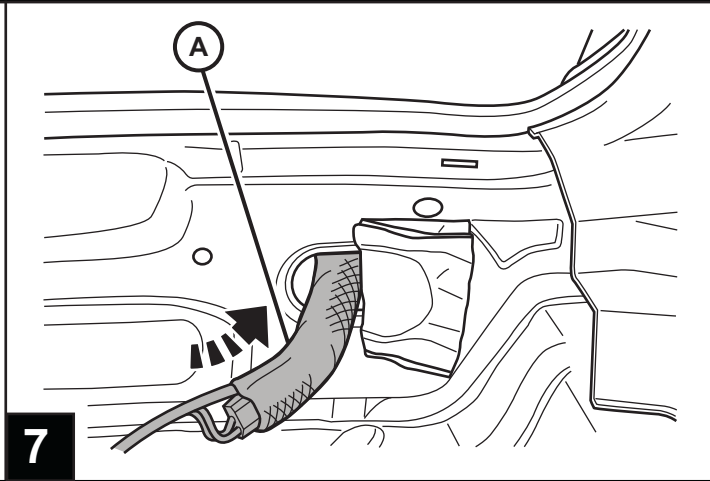
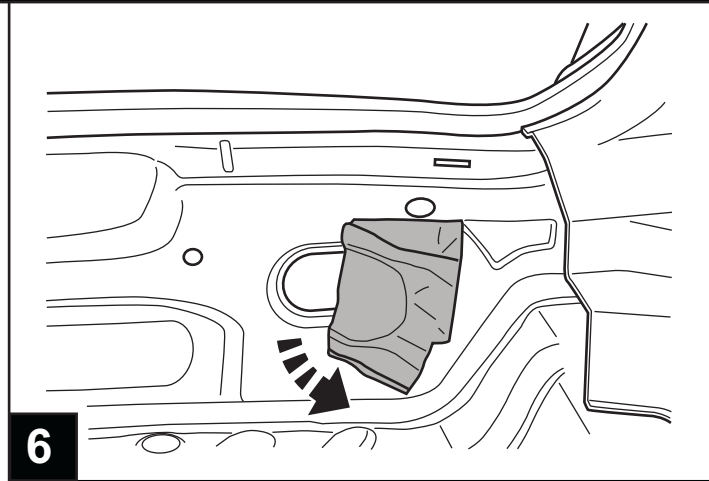
# DODGE CALIBER

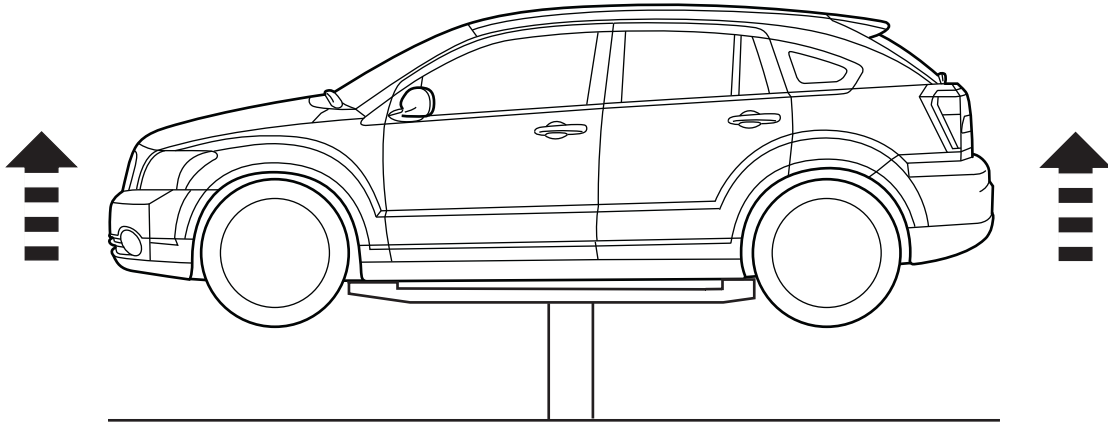
## Trailer Tow Harness



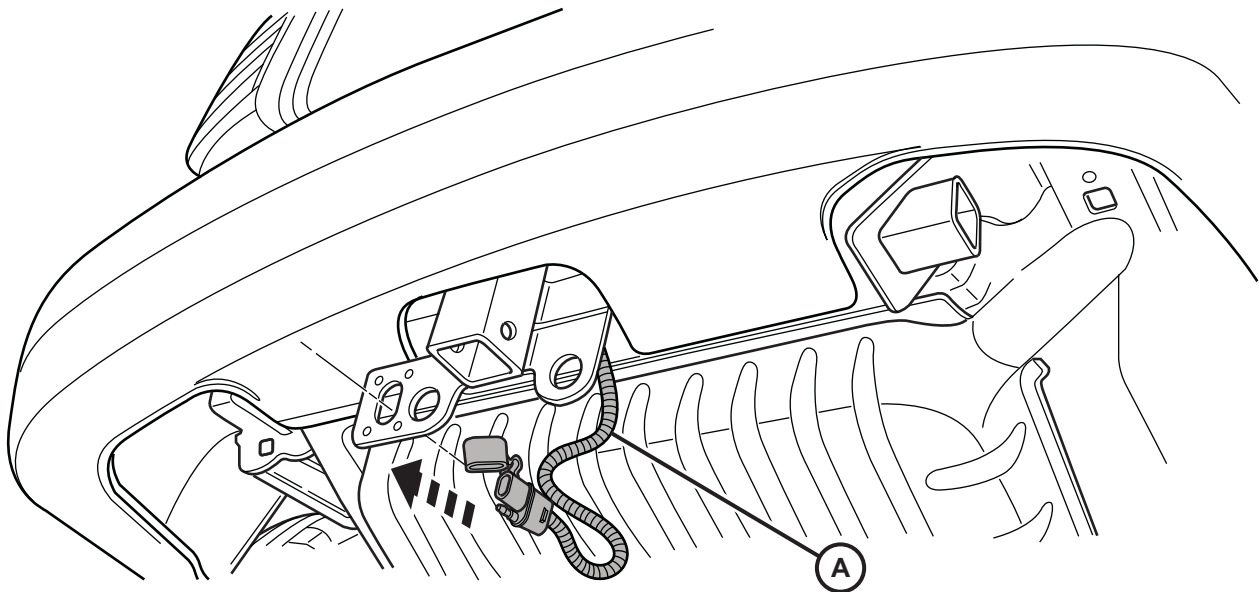
	 <p>10 mm</p>		 <p>1 1/2 in.</p>
			
			 <p>PN 82300508</p>
			



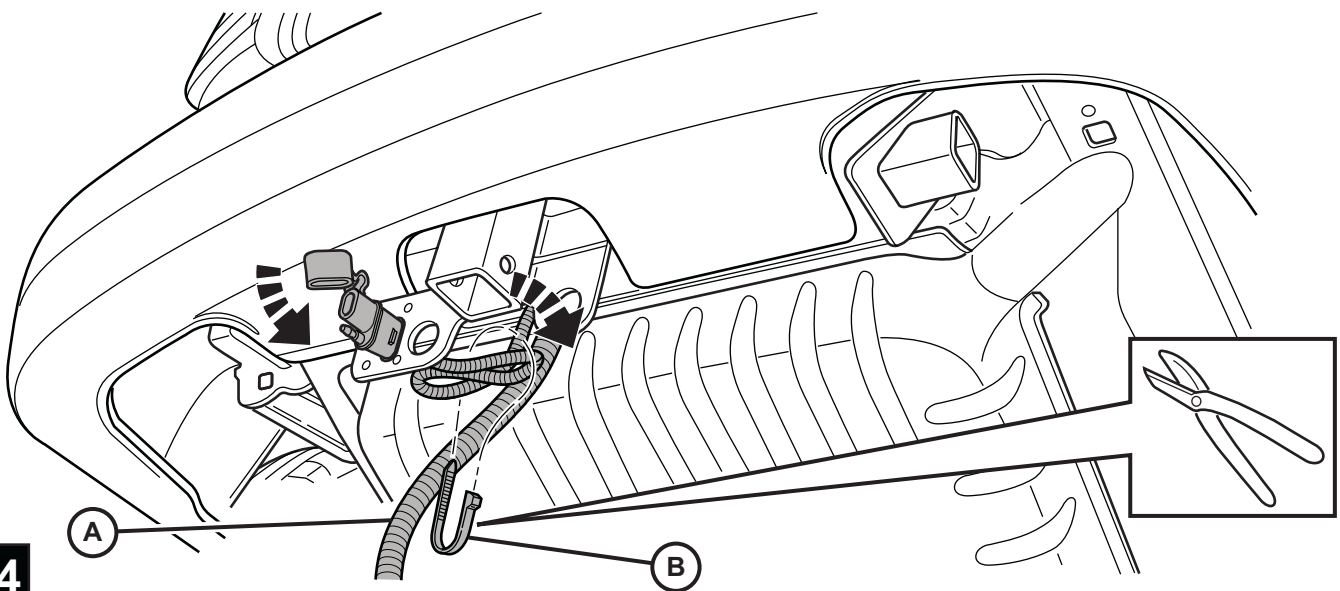




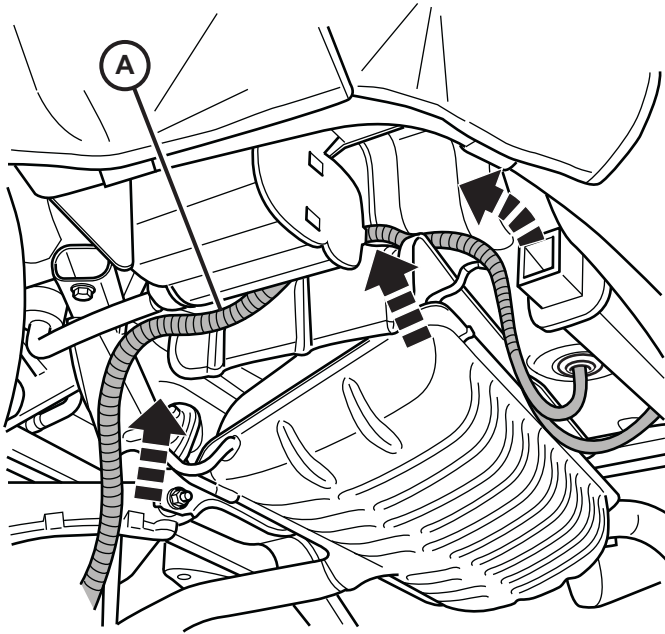
12



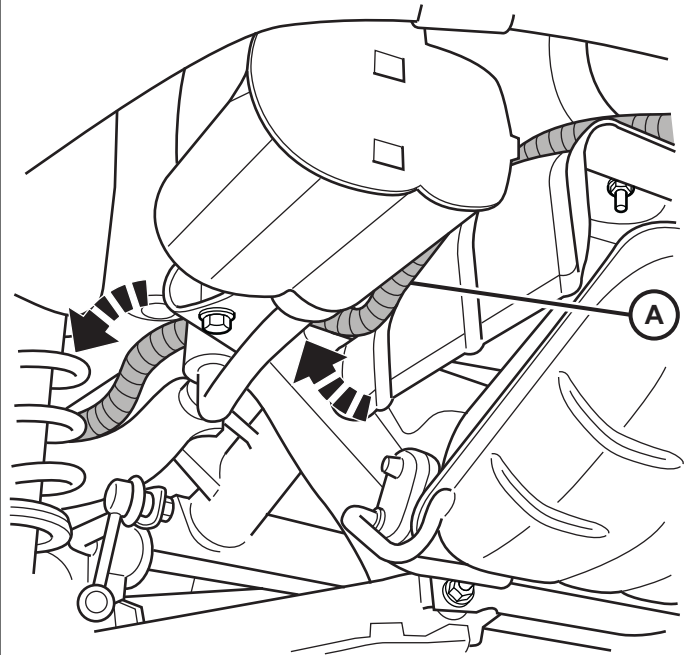
13



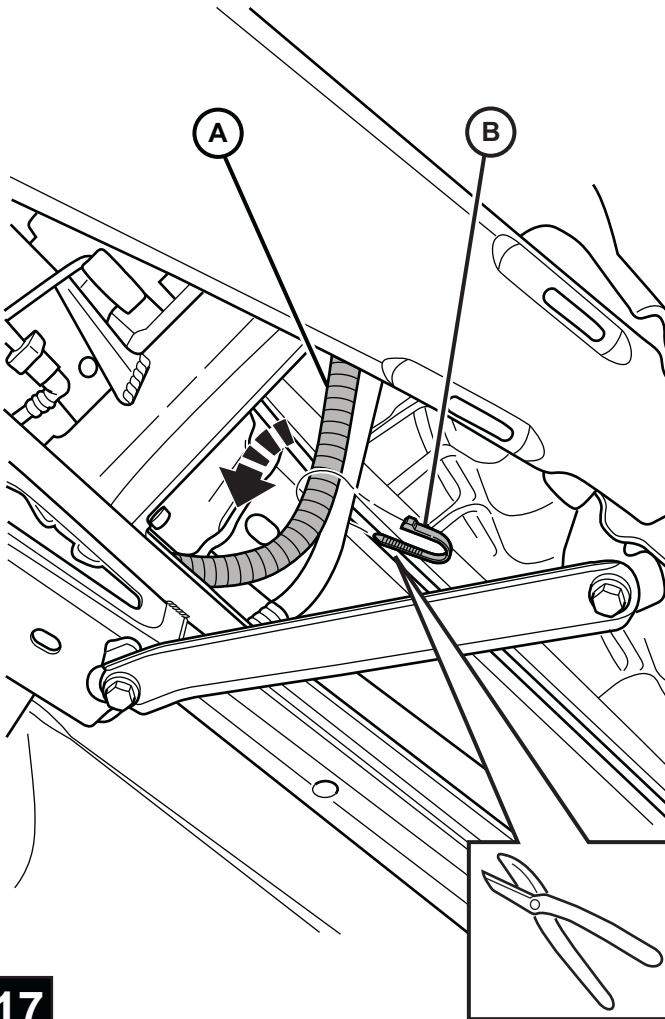
14



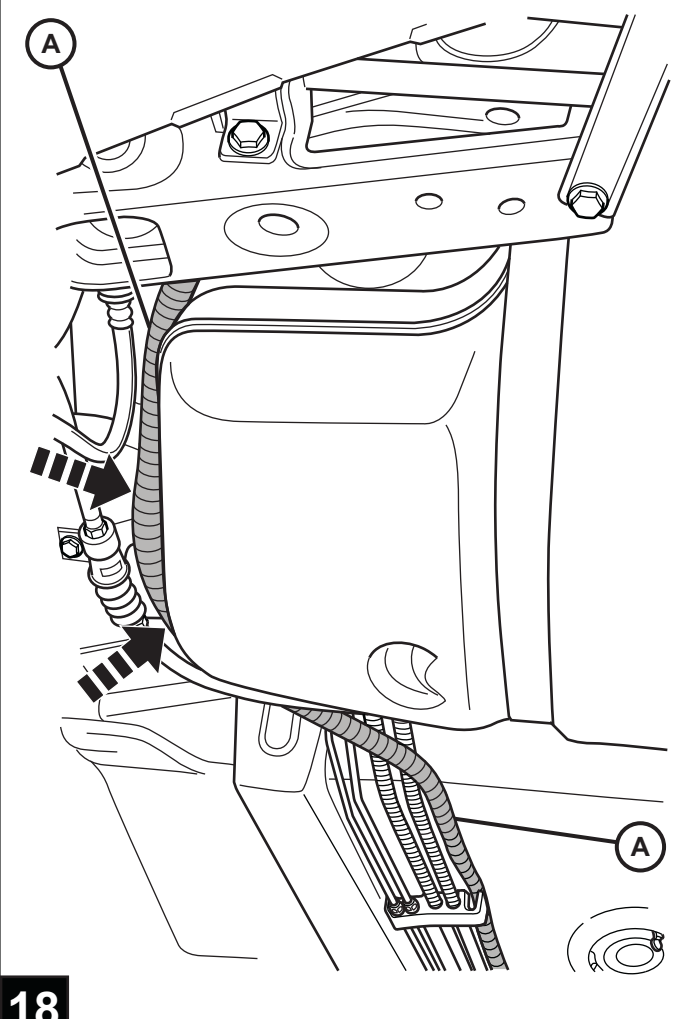
15



16

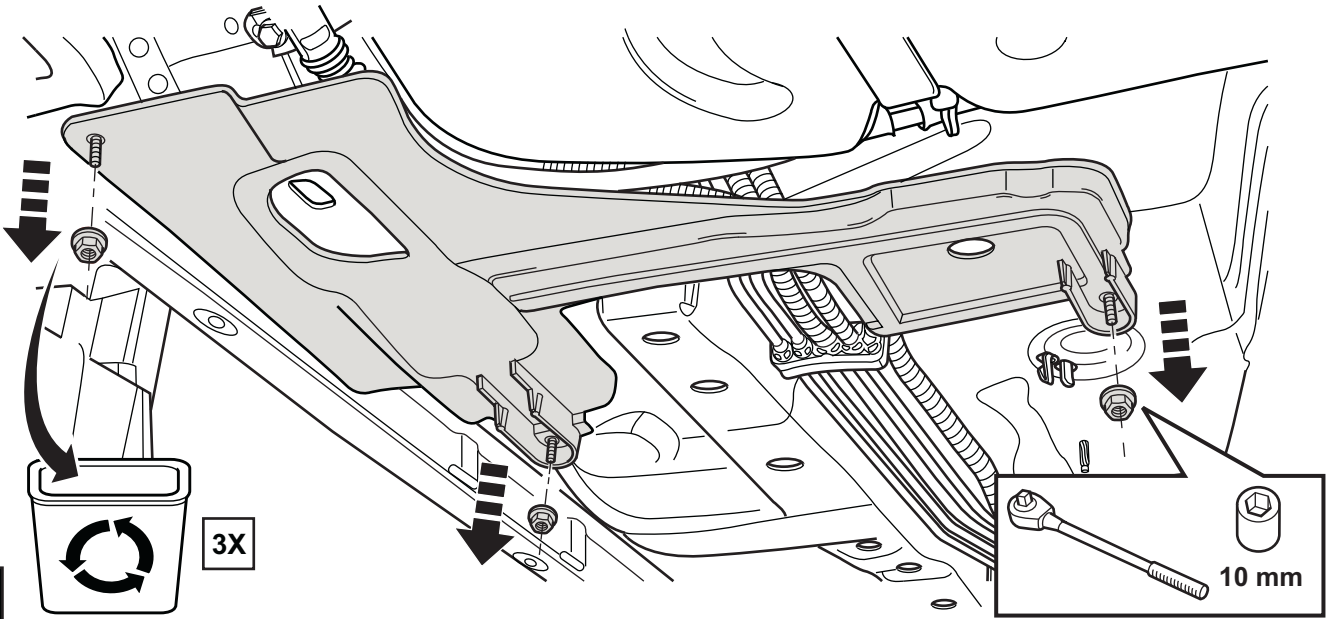


17

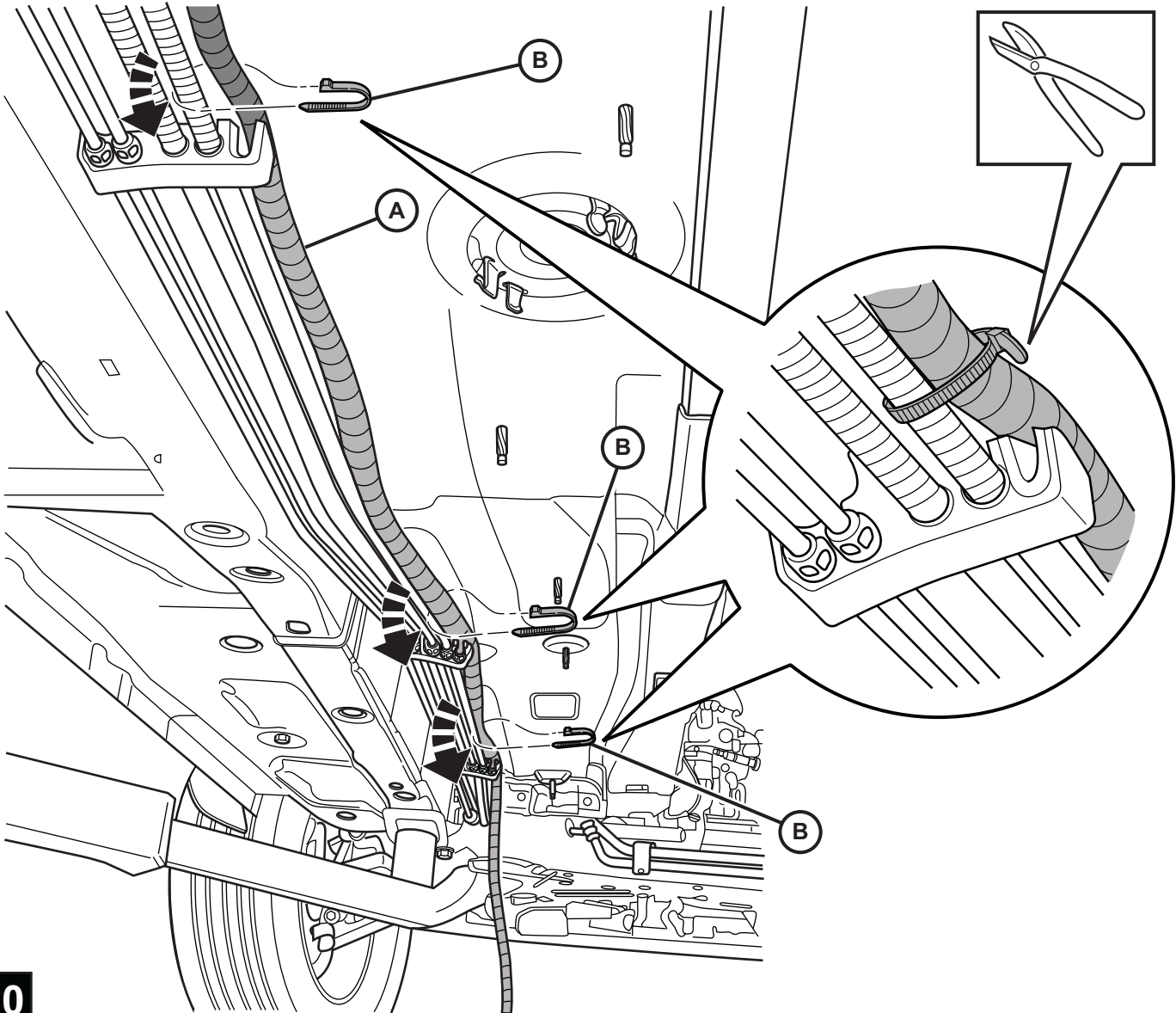


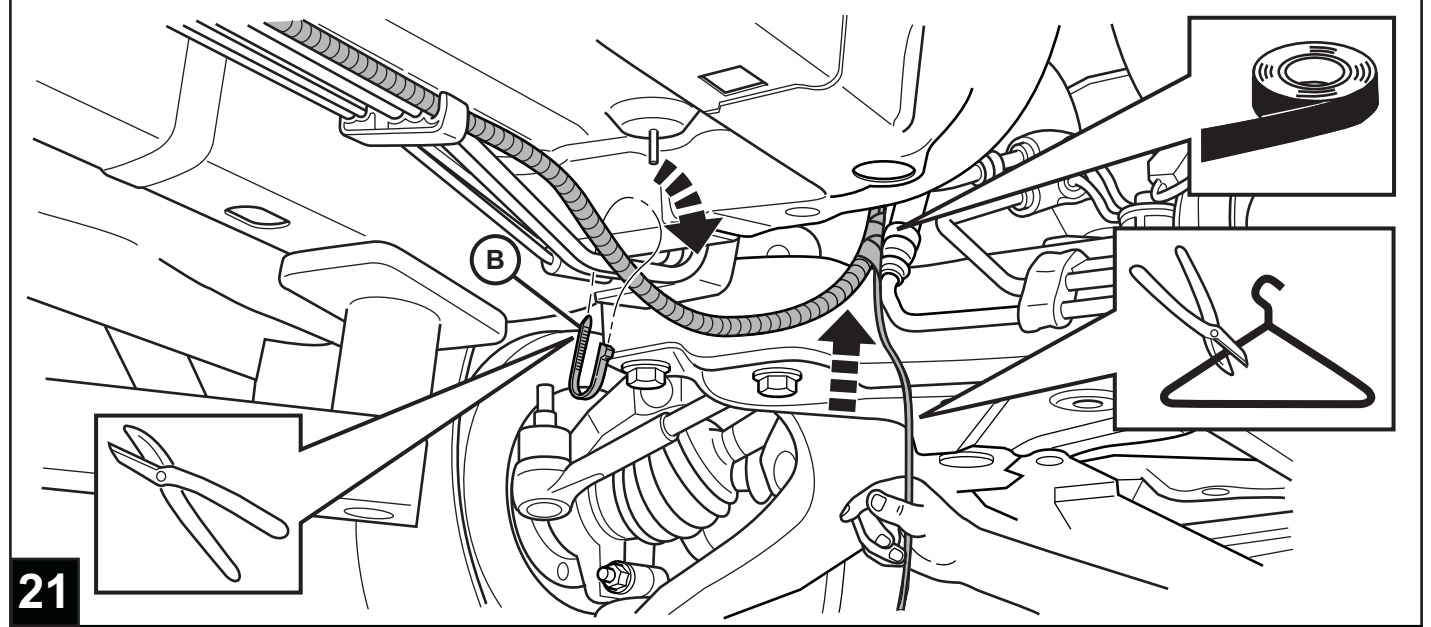
18

19

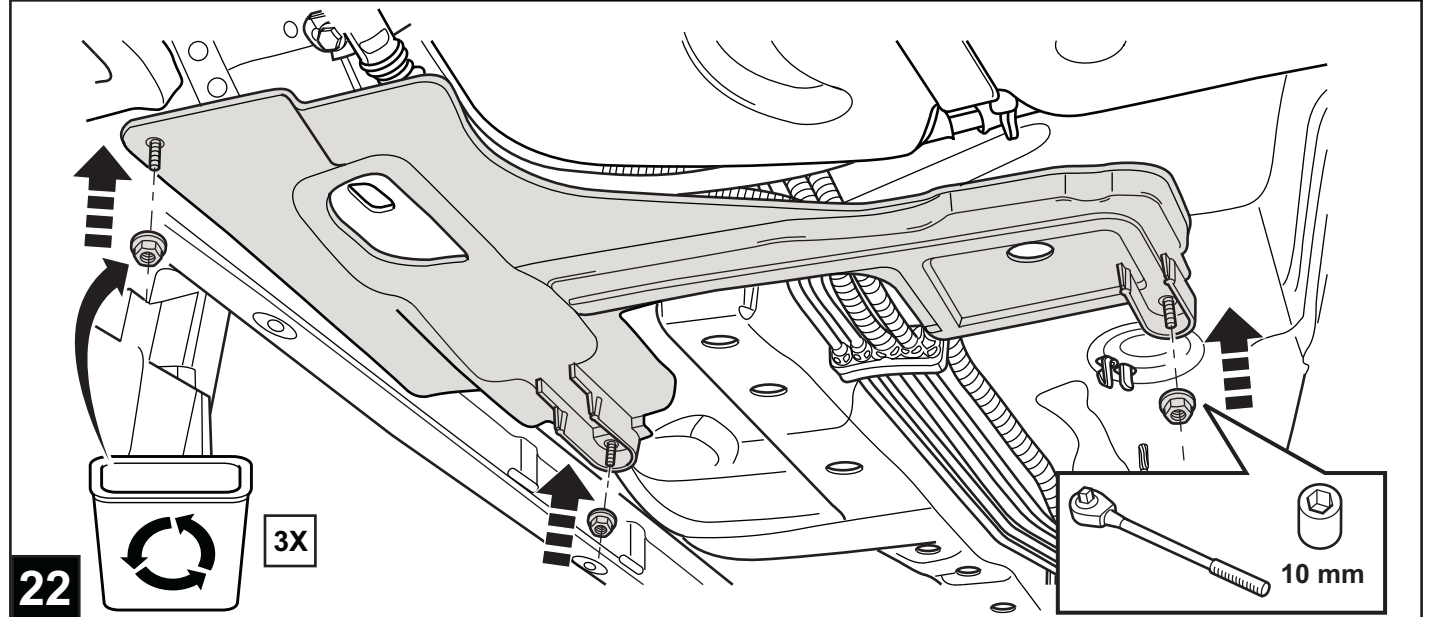


20

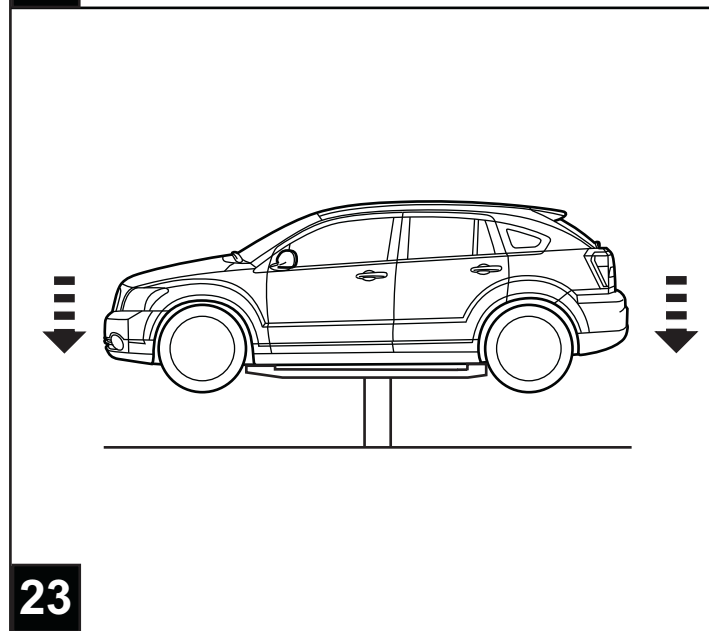




21

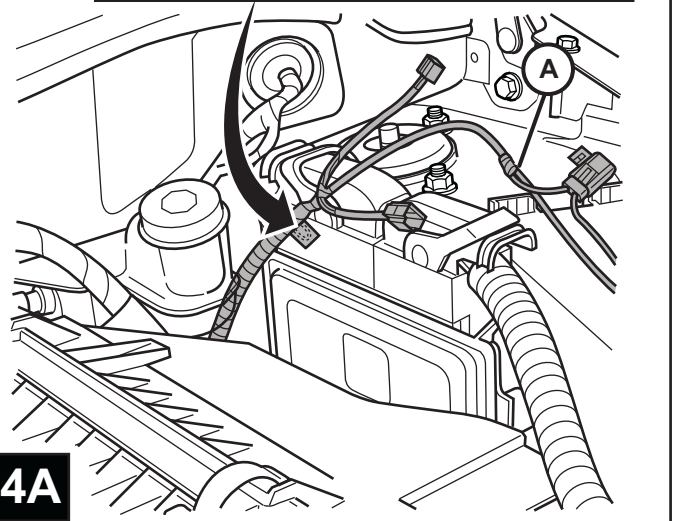


22



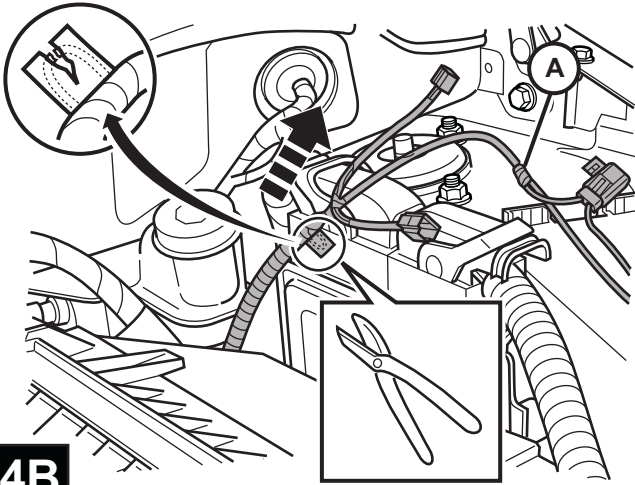
23

NOTE: IF 2007MY AND PRIOR CALIBER,  
(NON-COMBINED LIGHTING) LEAVE ALONE.

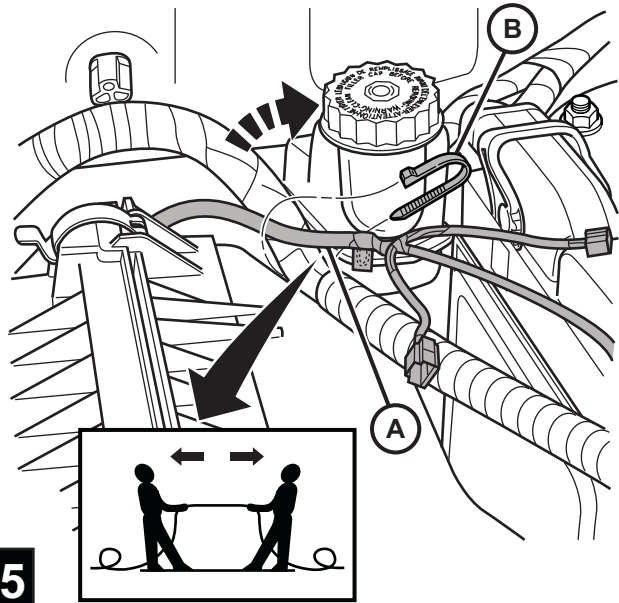


24A

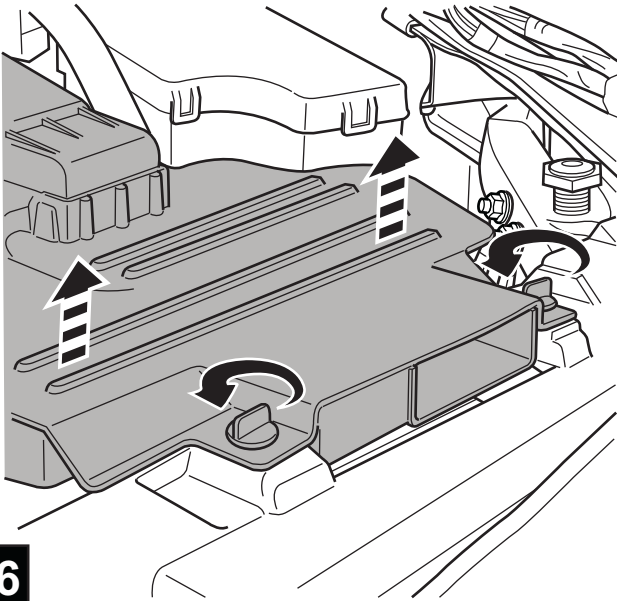
NOTE: IF 2008MY AND BEYOND CALIBER,  
(COMBINED LIGHTING)  
CUT WIRE IN TAG.



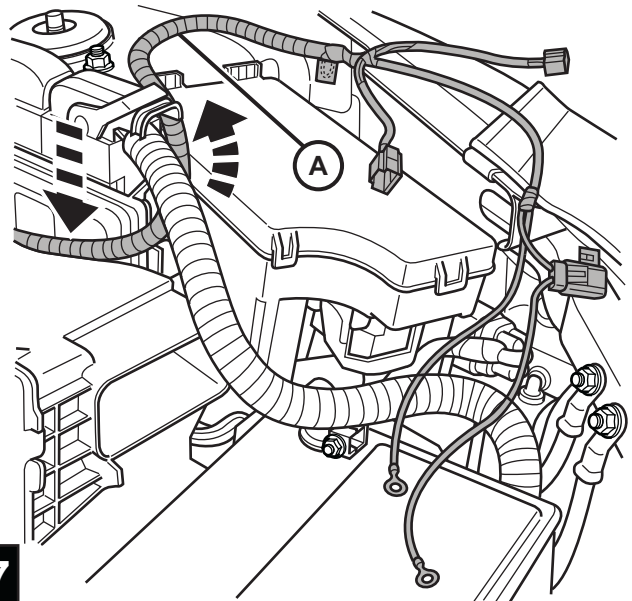
24B



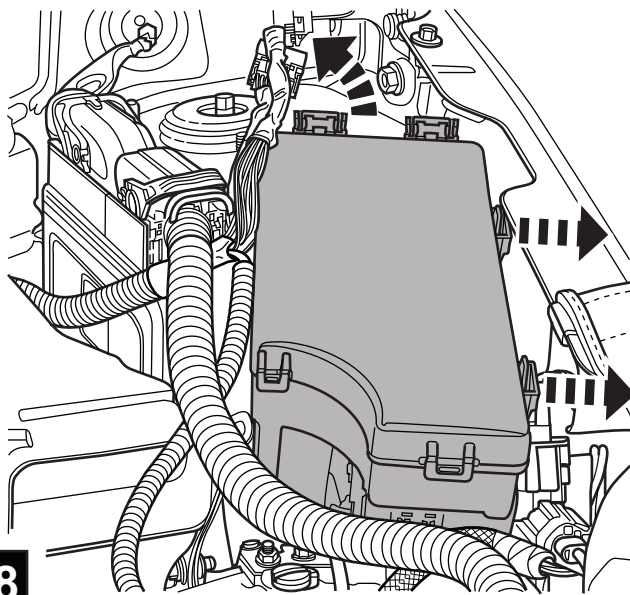
25



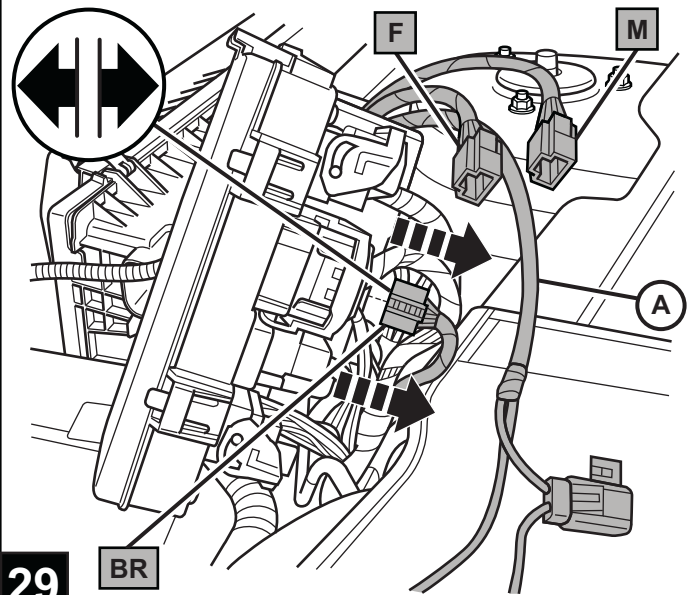
26



27

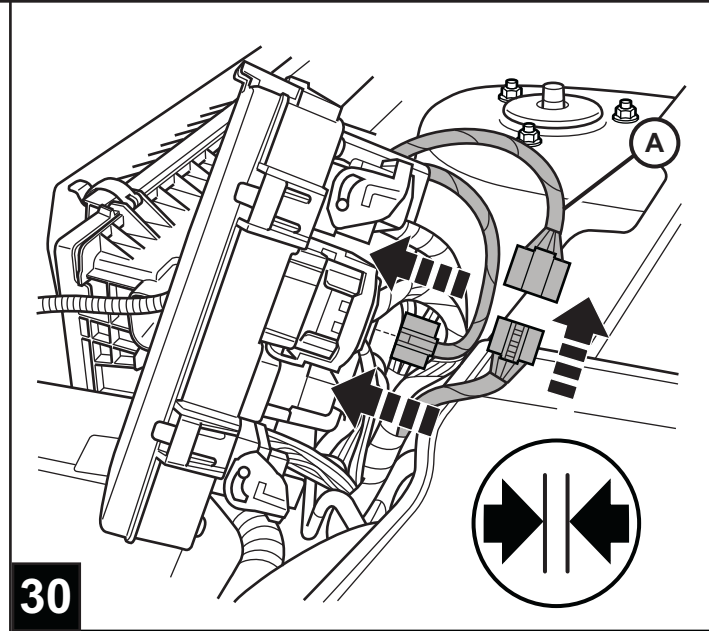


28

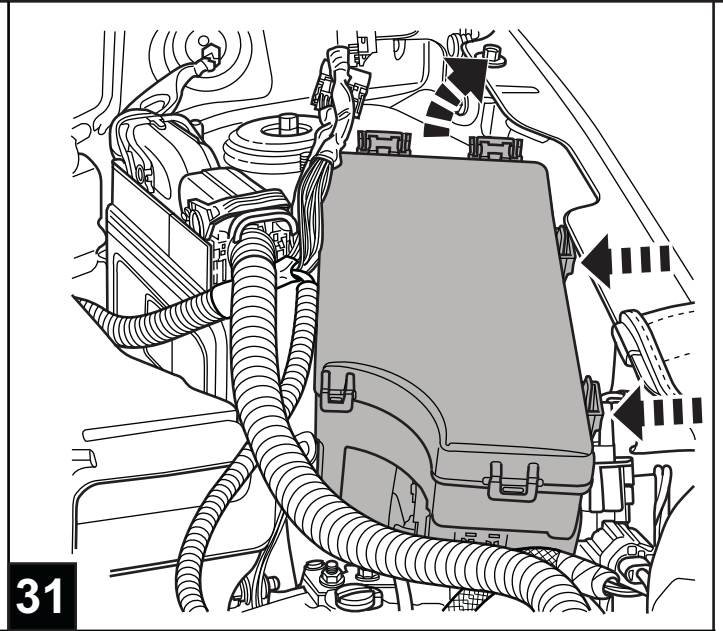


29

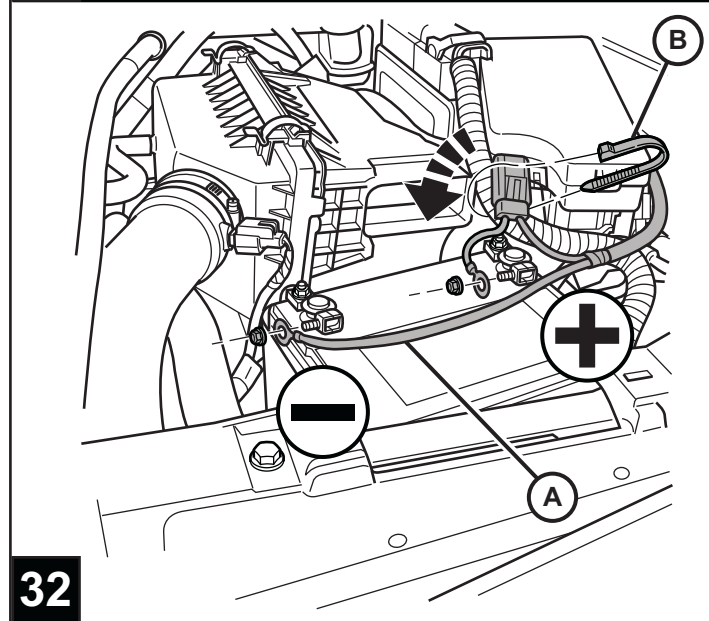




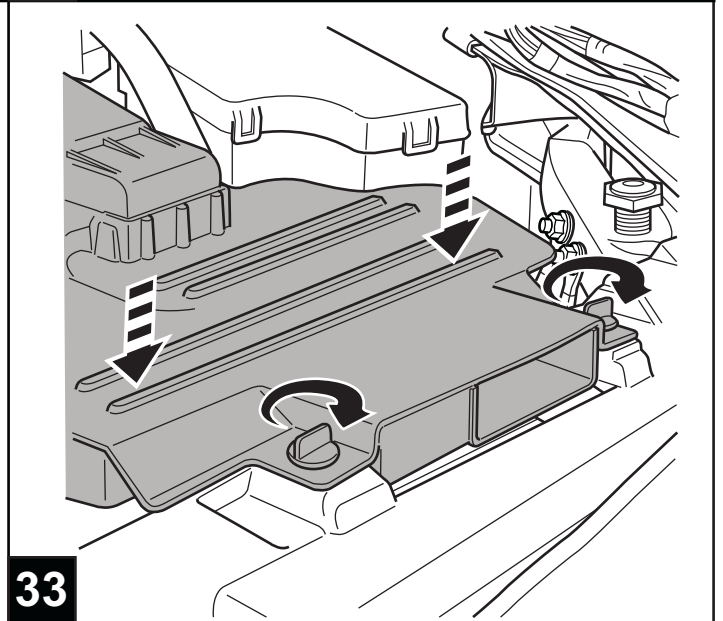
30



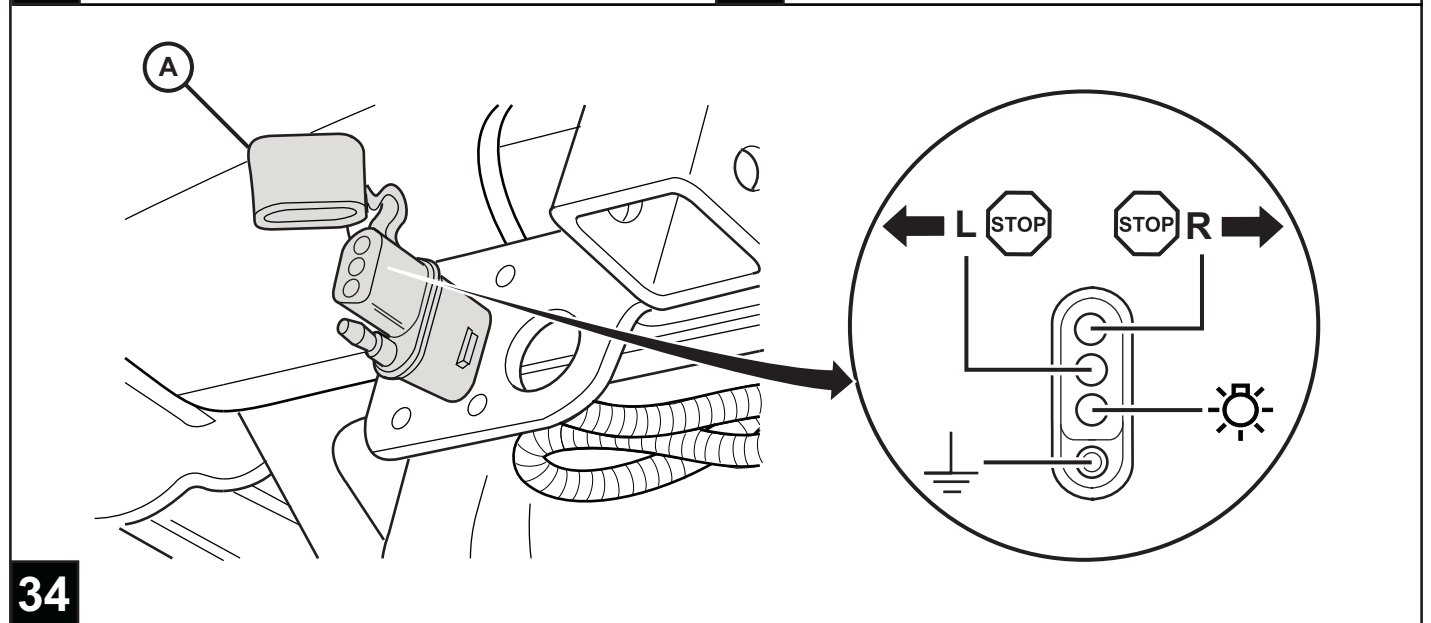
31



32



33



34