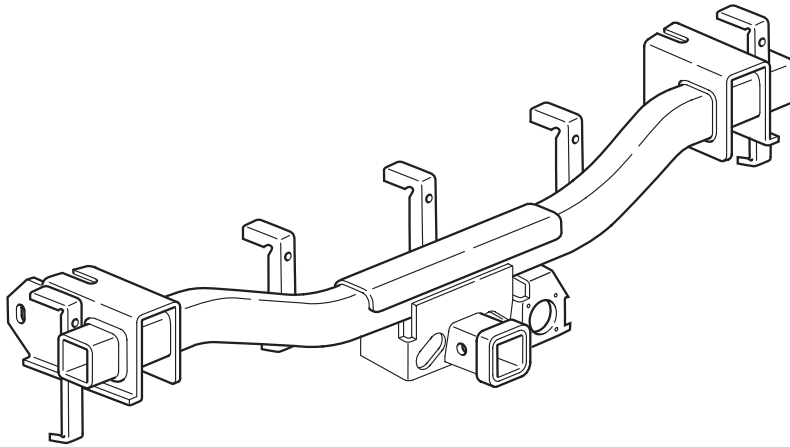




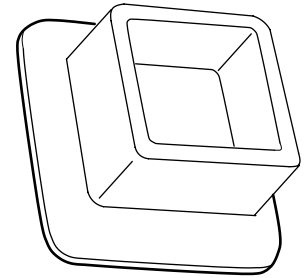
MOPAR®

# CHRYSLER ASPEN/DODGE DURANGO

## Trailer Hitch

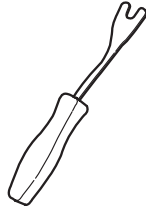
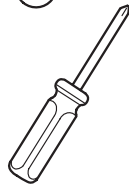
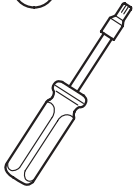


**A**

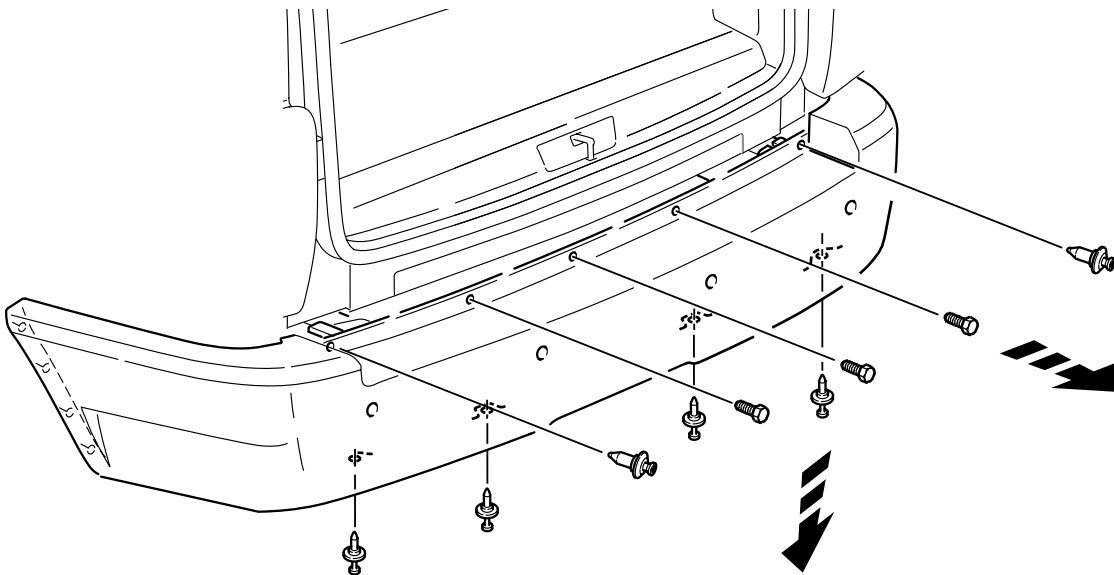


**B**

☆ T25

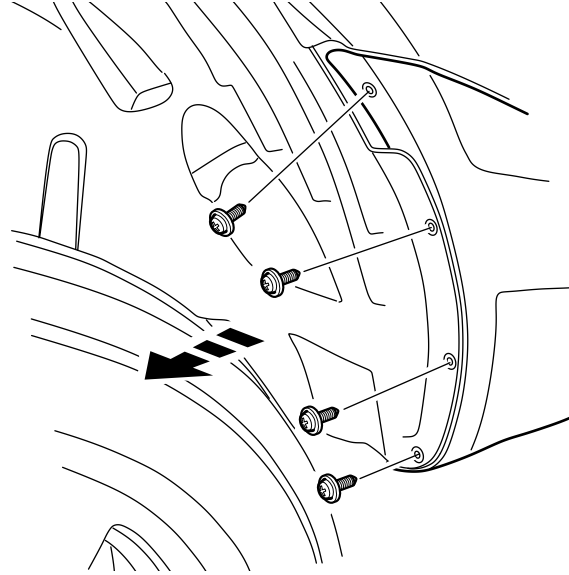


10mm  
19mm  
21mm



**1**

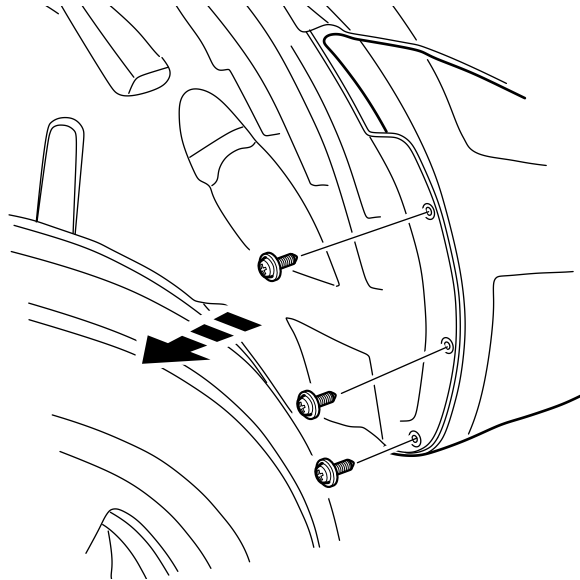
**2007 Aspen Models**



Repeat for other side

**2**

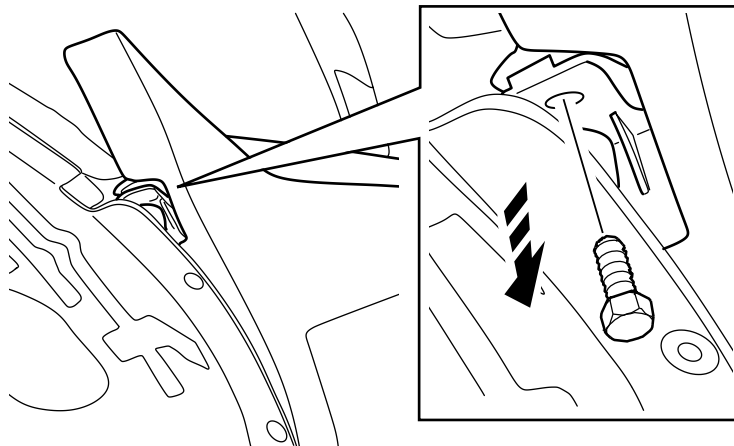
**2007 Durango Models**



Repeat for other side

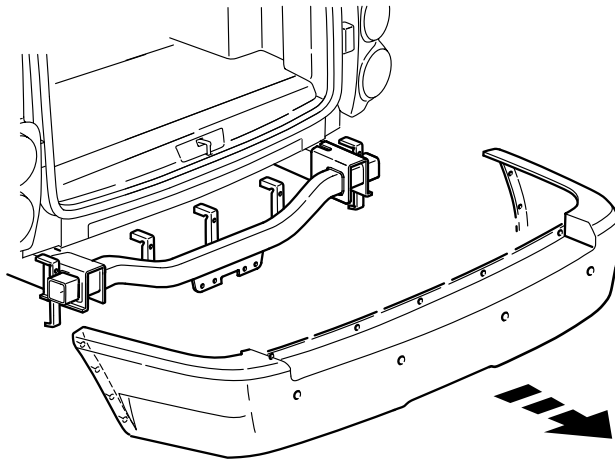
**3**

**2007 Aspen Models**

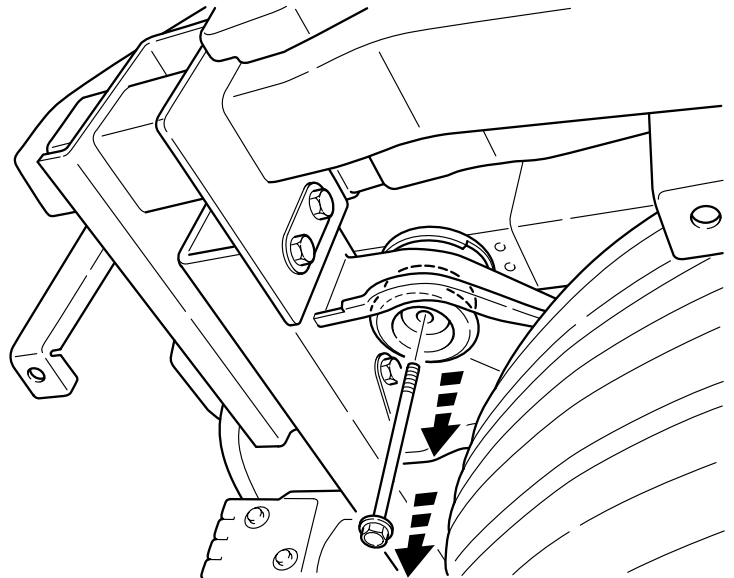
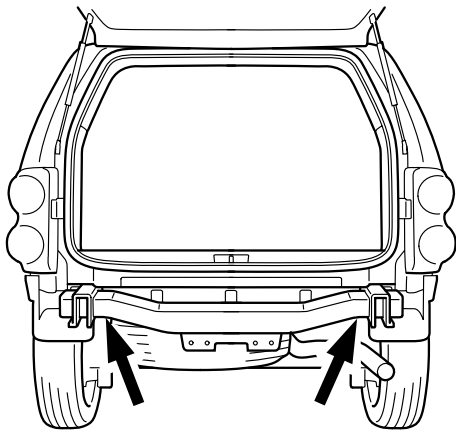


Repeat for other side

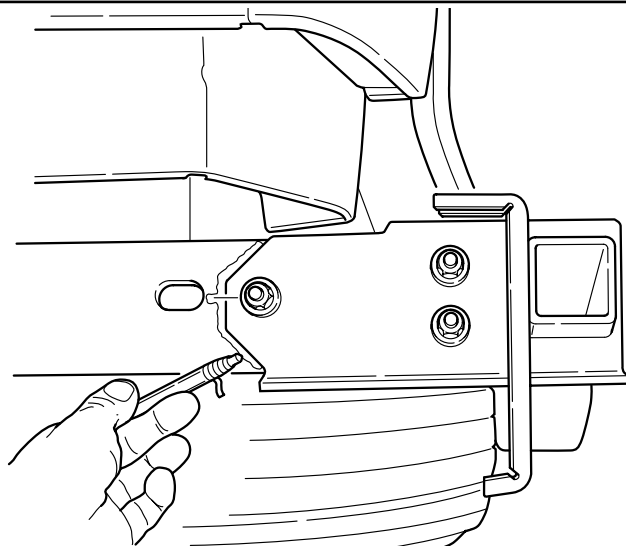
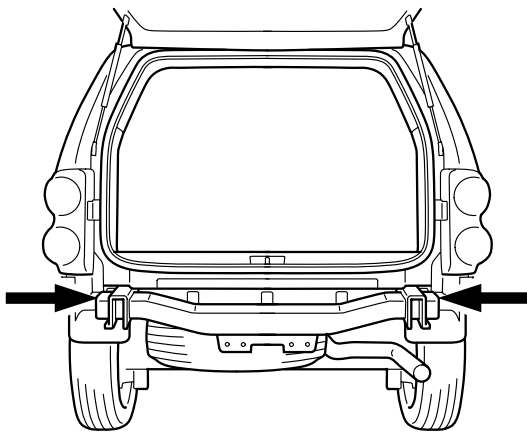
**4**



**5**

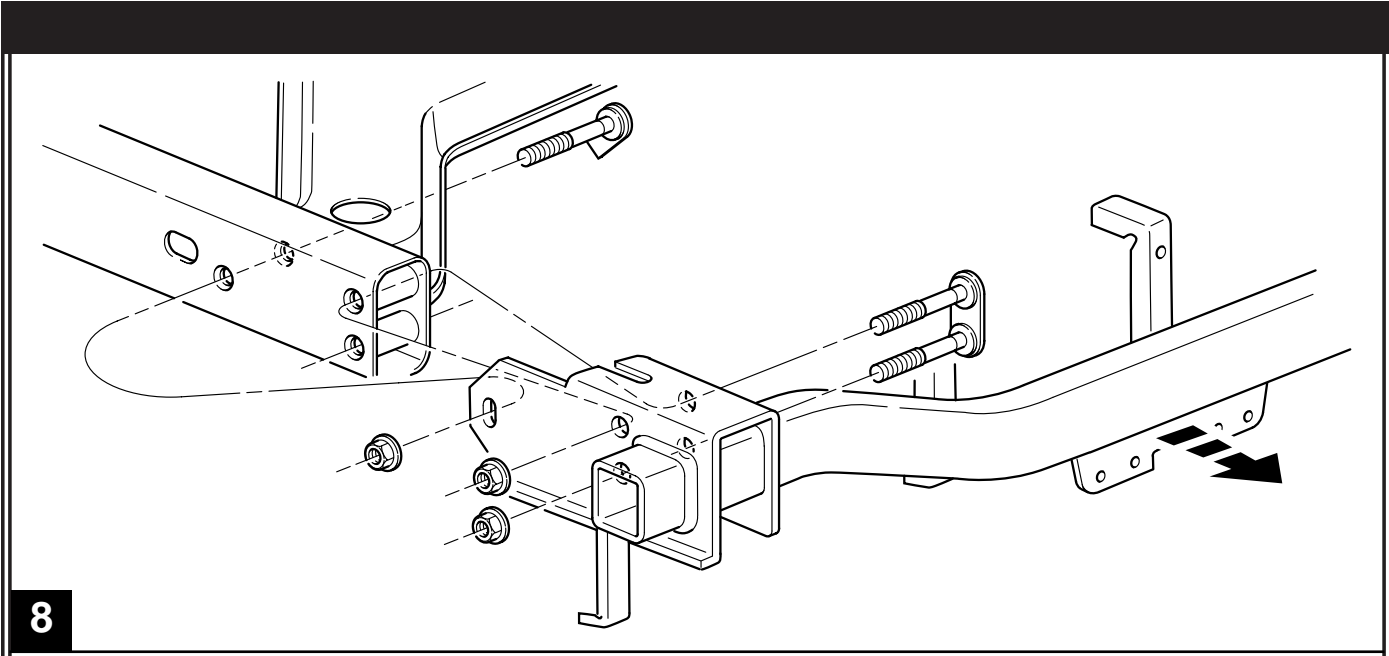


**6**

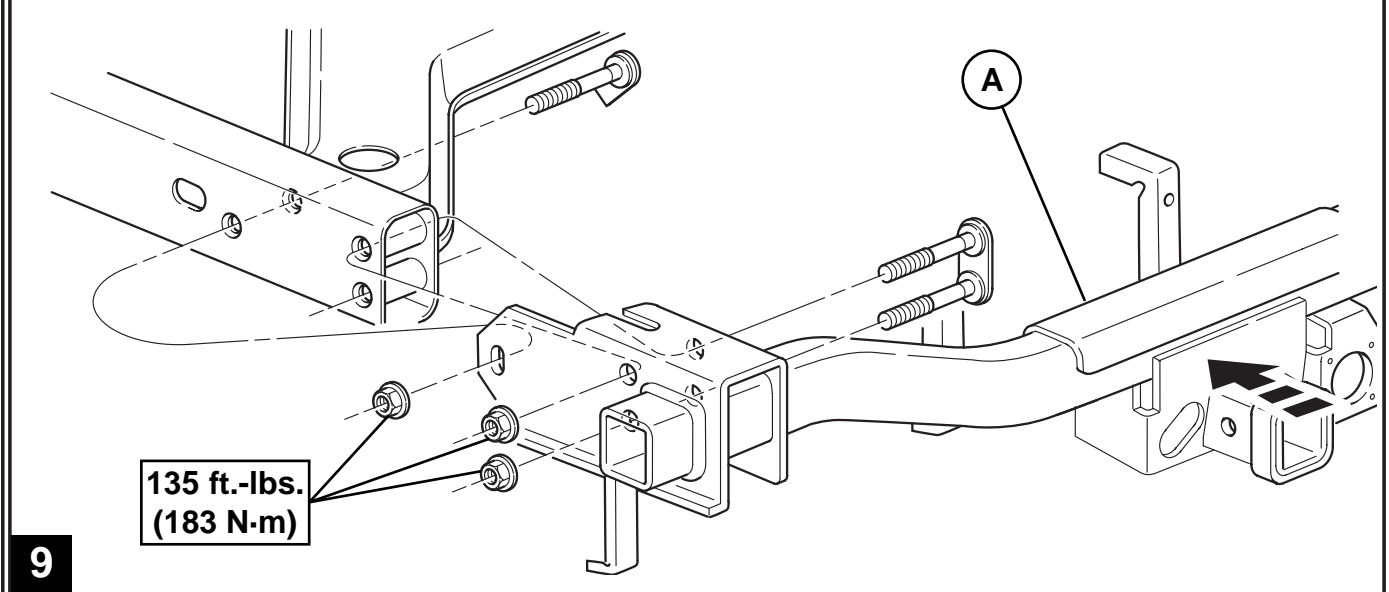


**7**

MARK THE SIDE RAILS AS SHOWN TO AIDE IN ALIGNMENT DURING TRAILER HITCH INSTALLATION.

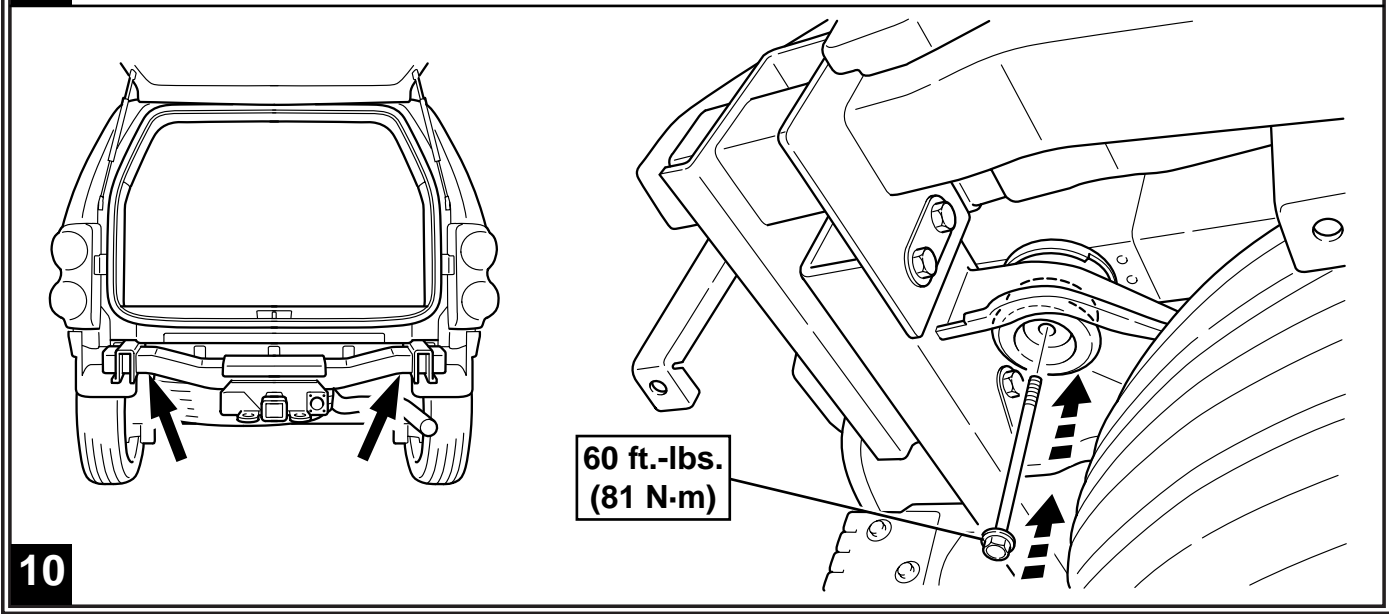


**8**



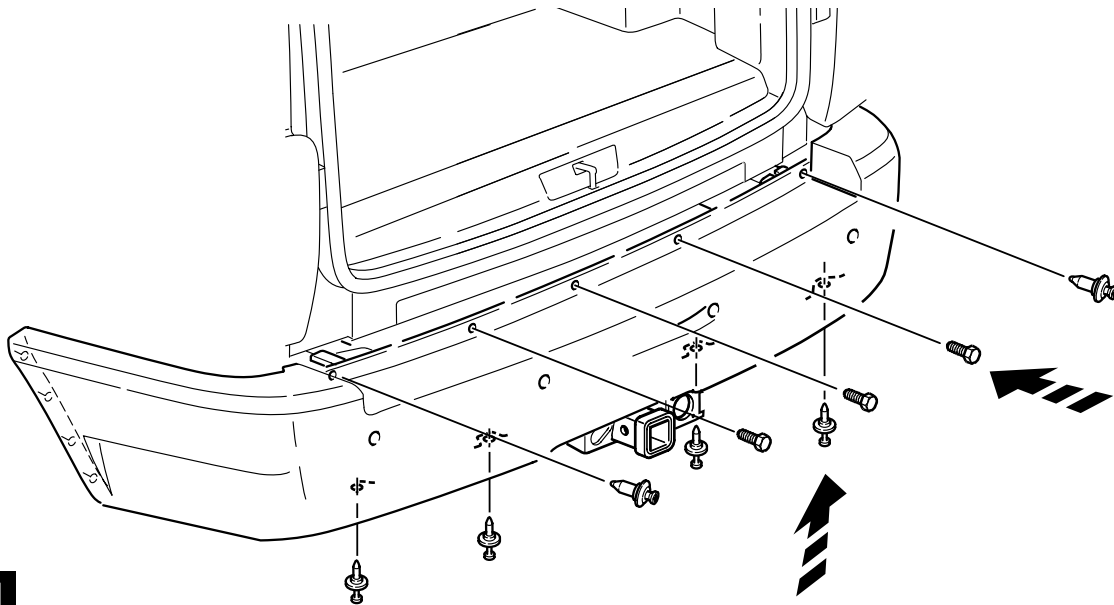
**9**

**135 ft.-lbs.  
(183 N-m)**



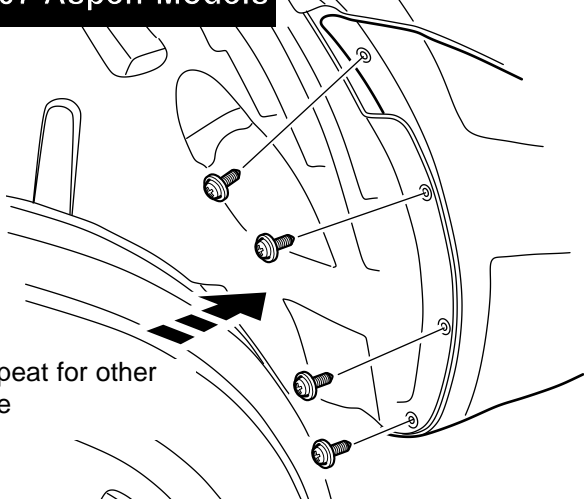
**10**

**60 ft.-lbs.  
(81 N-m)**



**11**

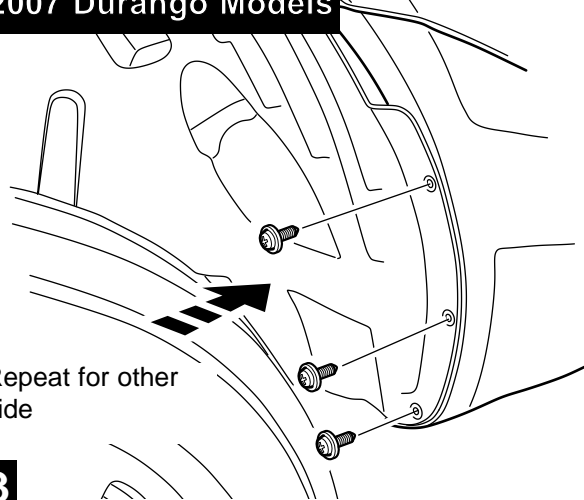
**2007 Aspen Models**



Repeat for other side

**12**

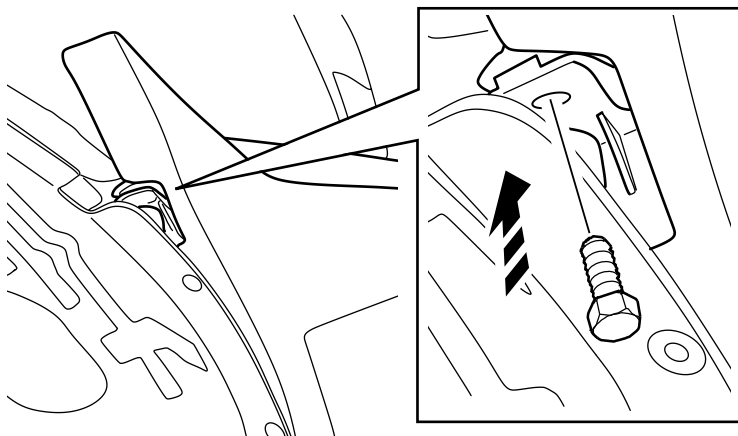
**2007 Durango Models**



Repeat for other side

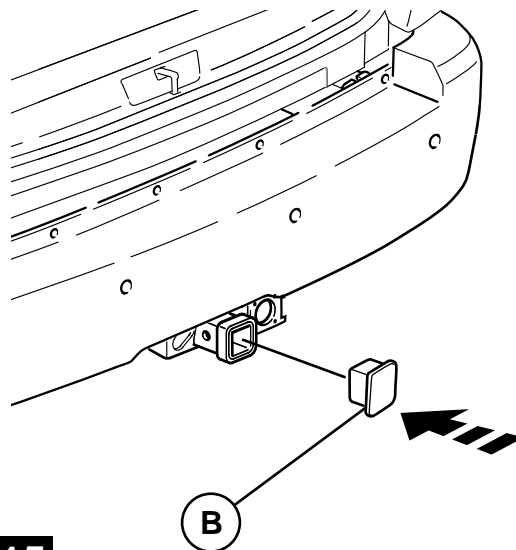
**13**

**2007 Aspen Models**



Repeat for other side

**14**



**B**

**15**