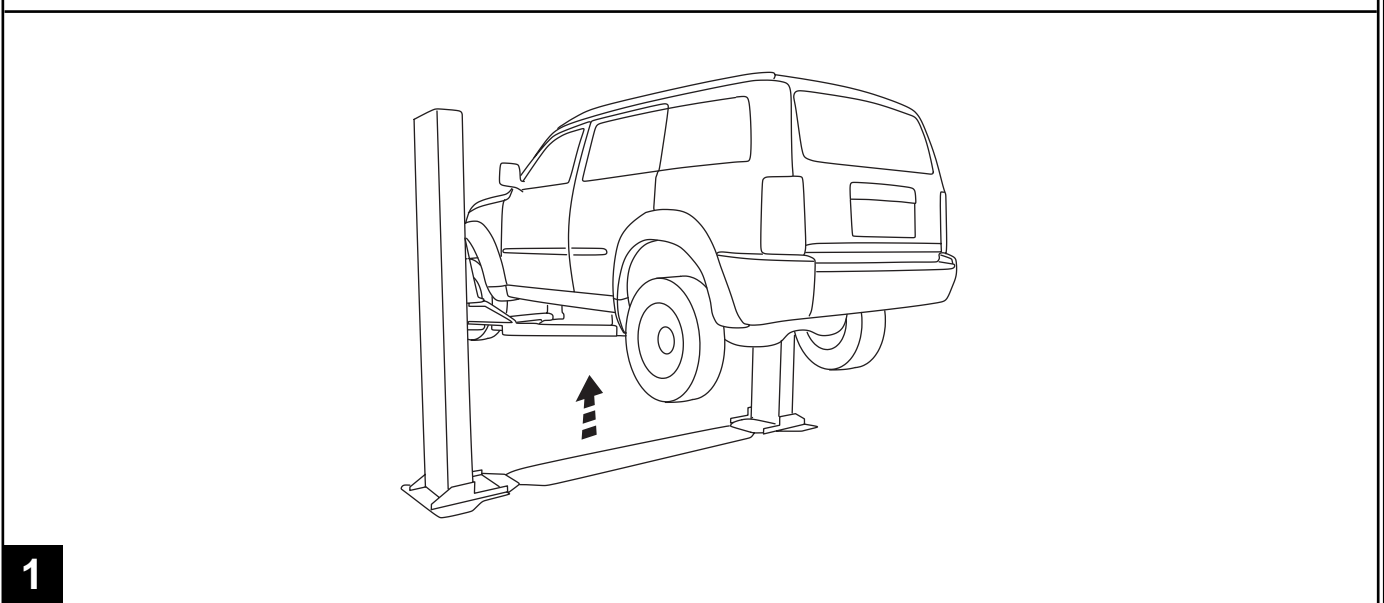
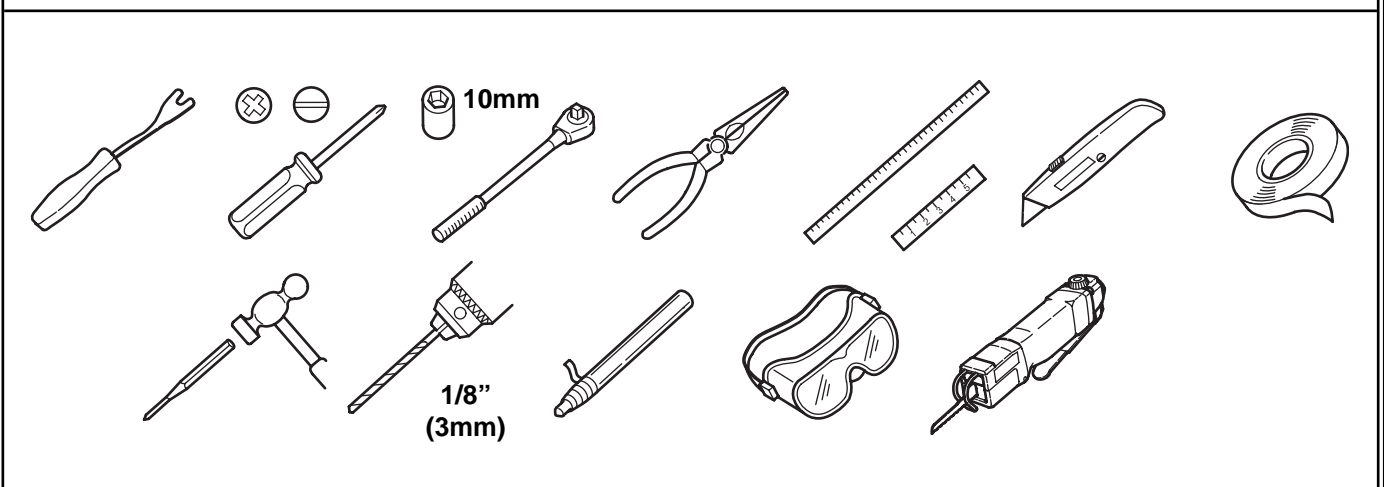
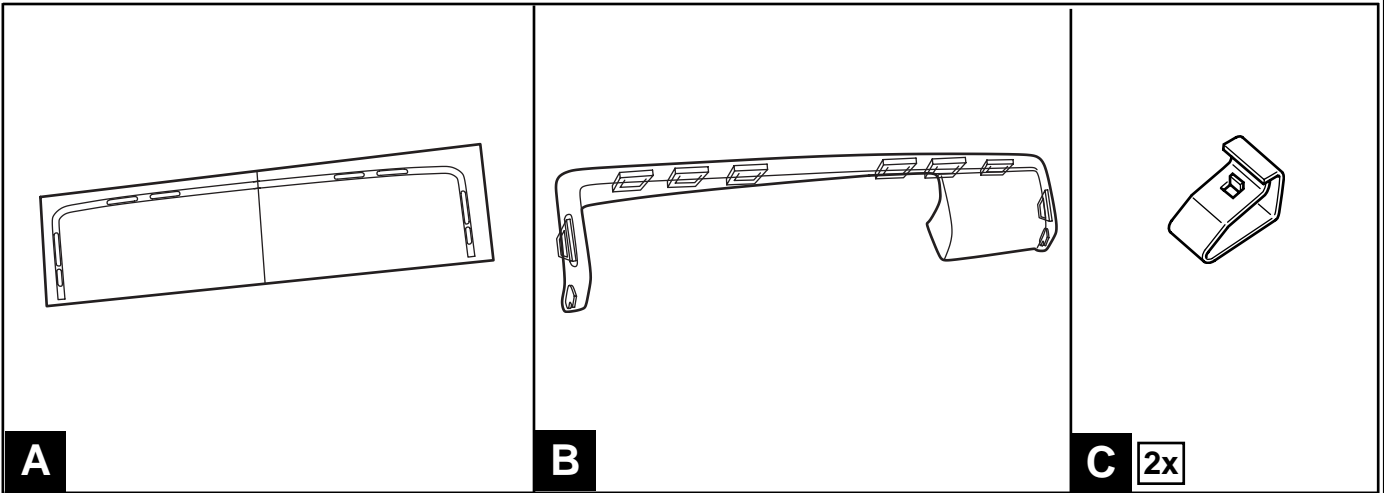
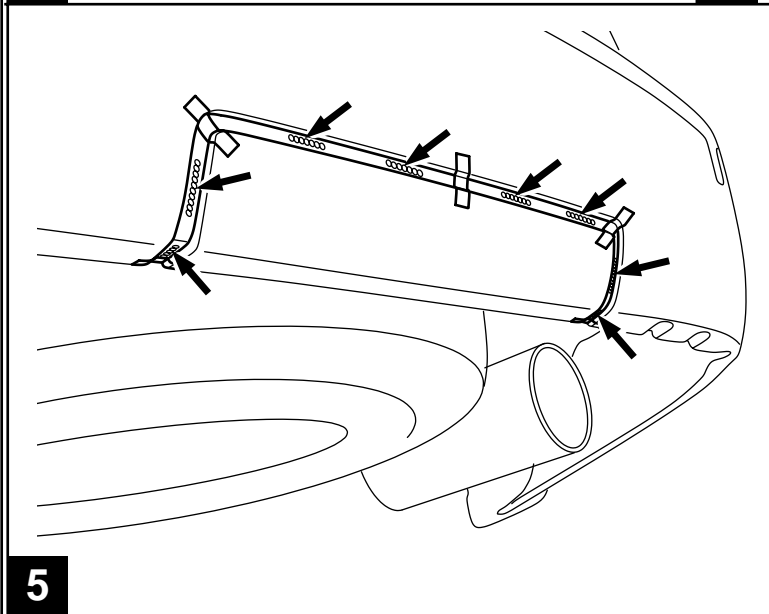
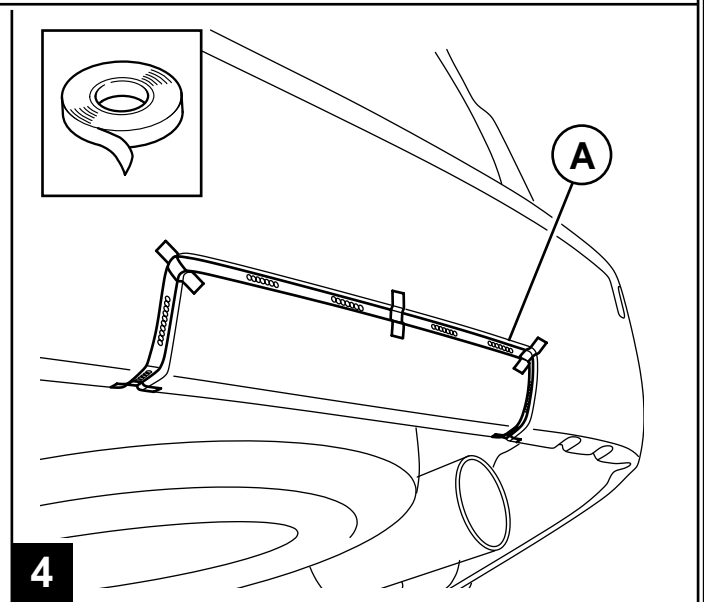
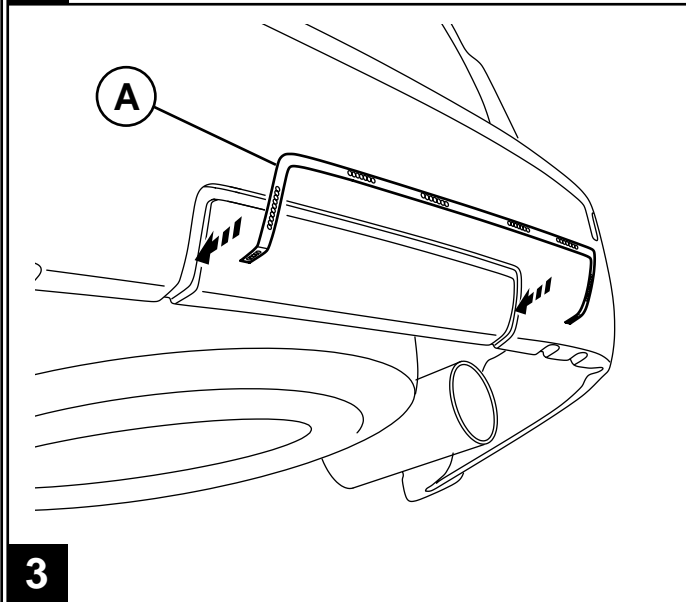
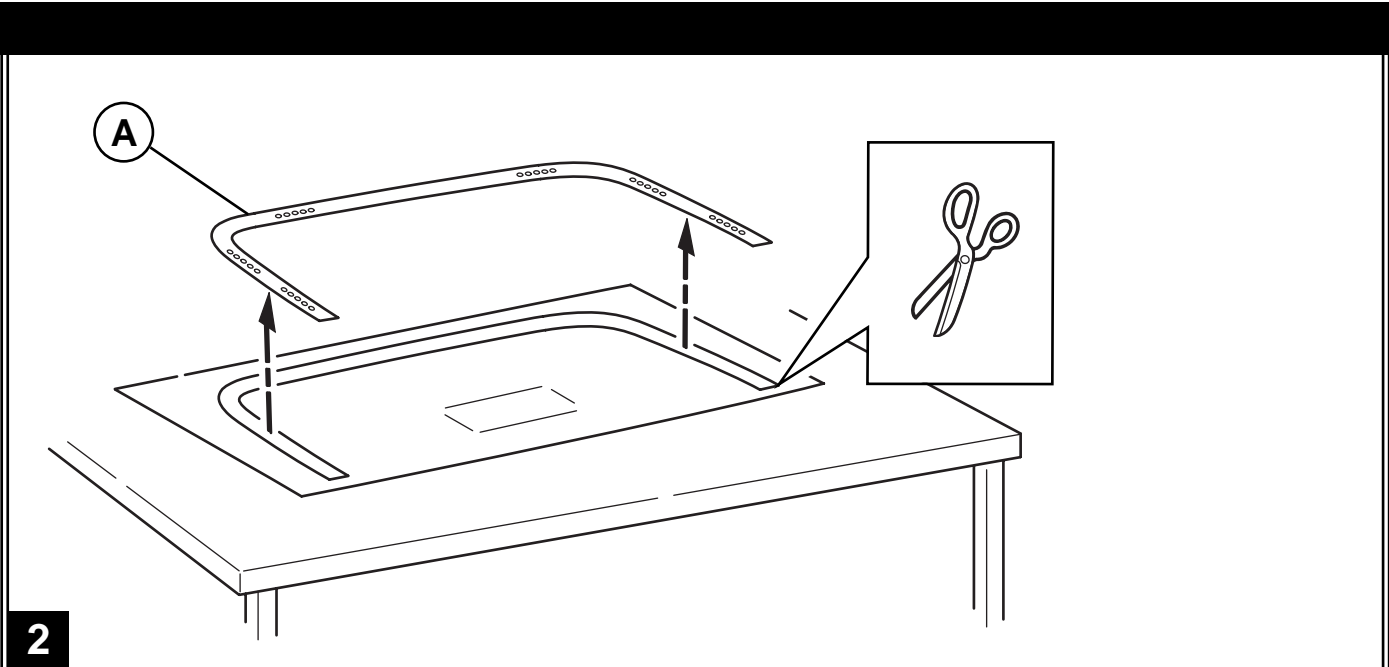


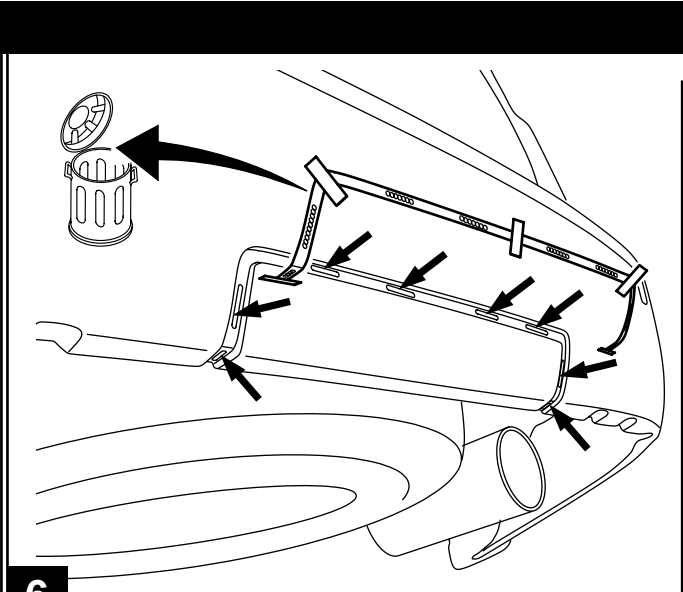


MOPAR®

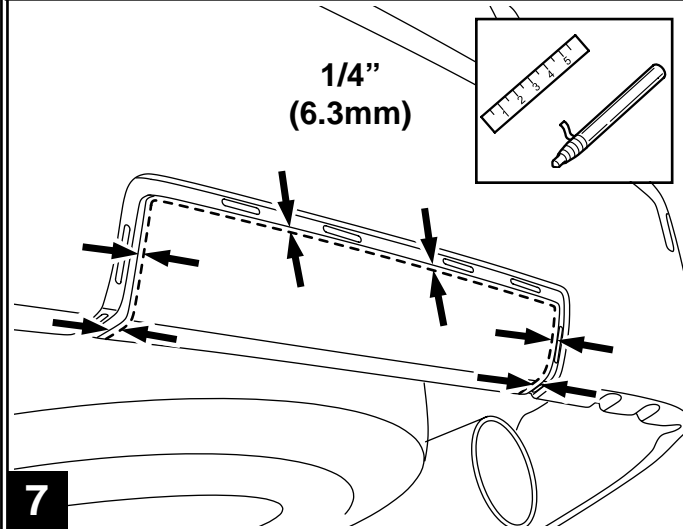
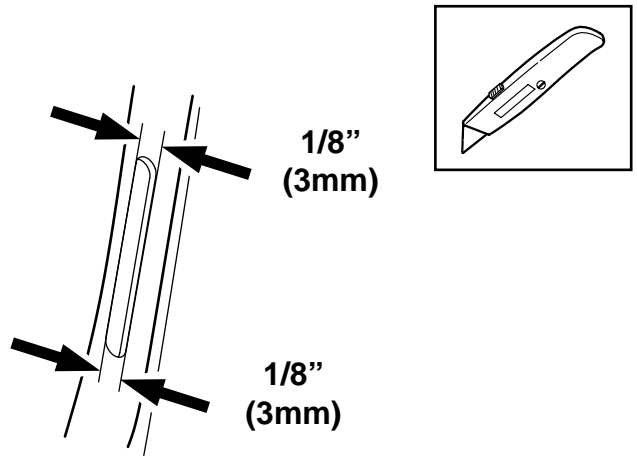
DODGE NITRO TRAILER HITCH BEZEL





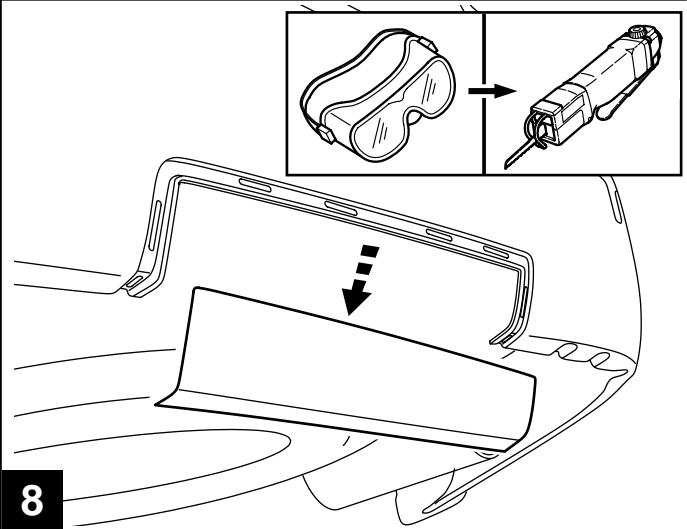


6

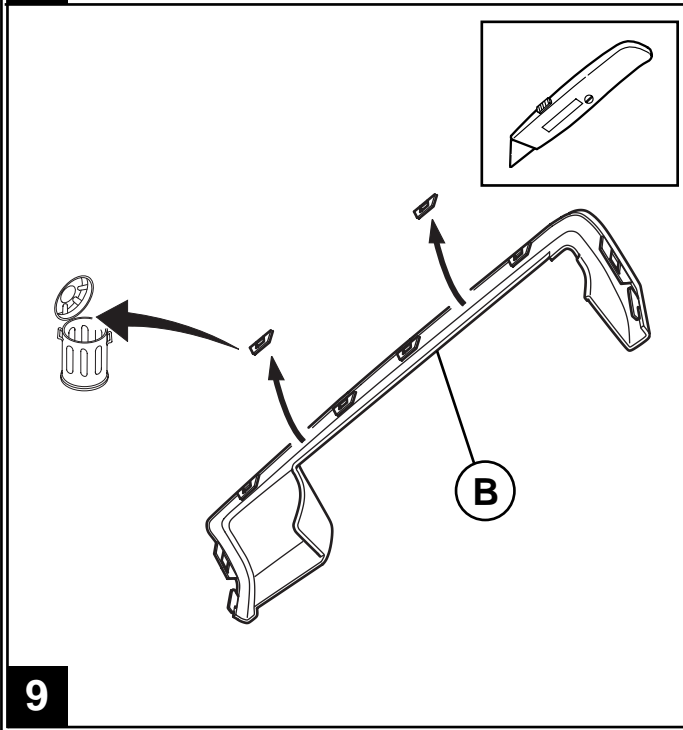


7

1/4"
(6.3mm)

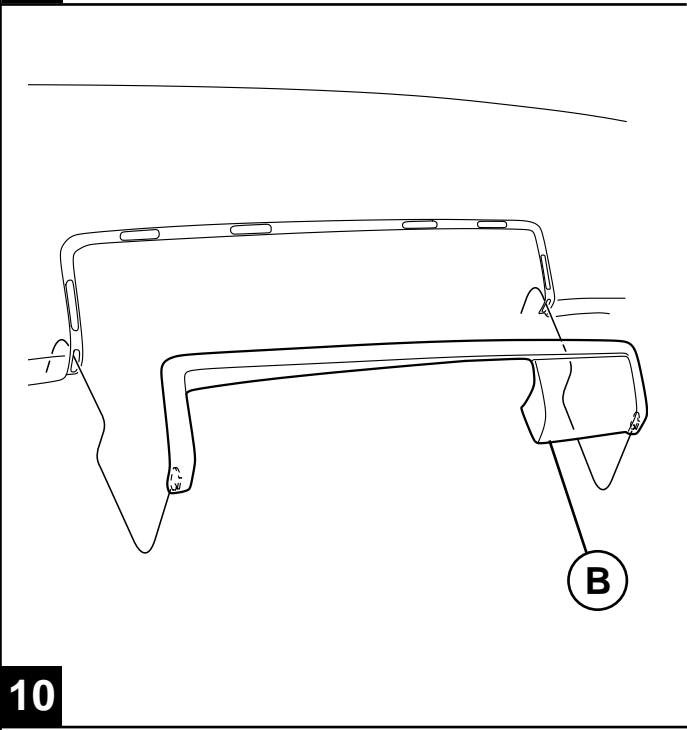


8



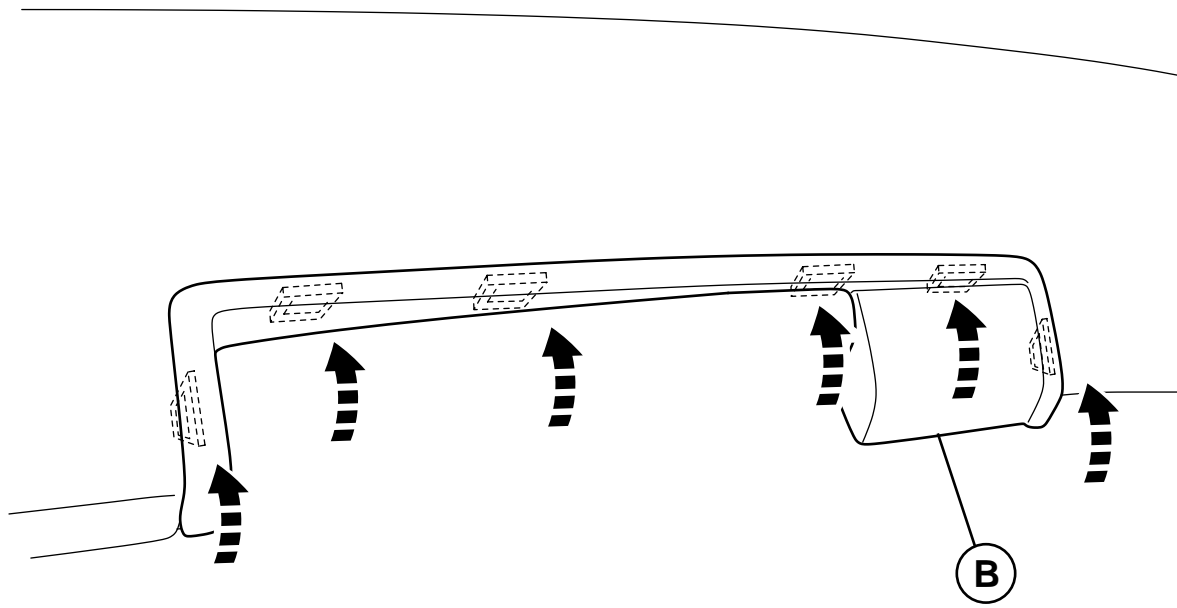
9

B

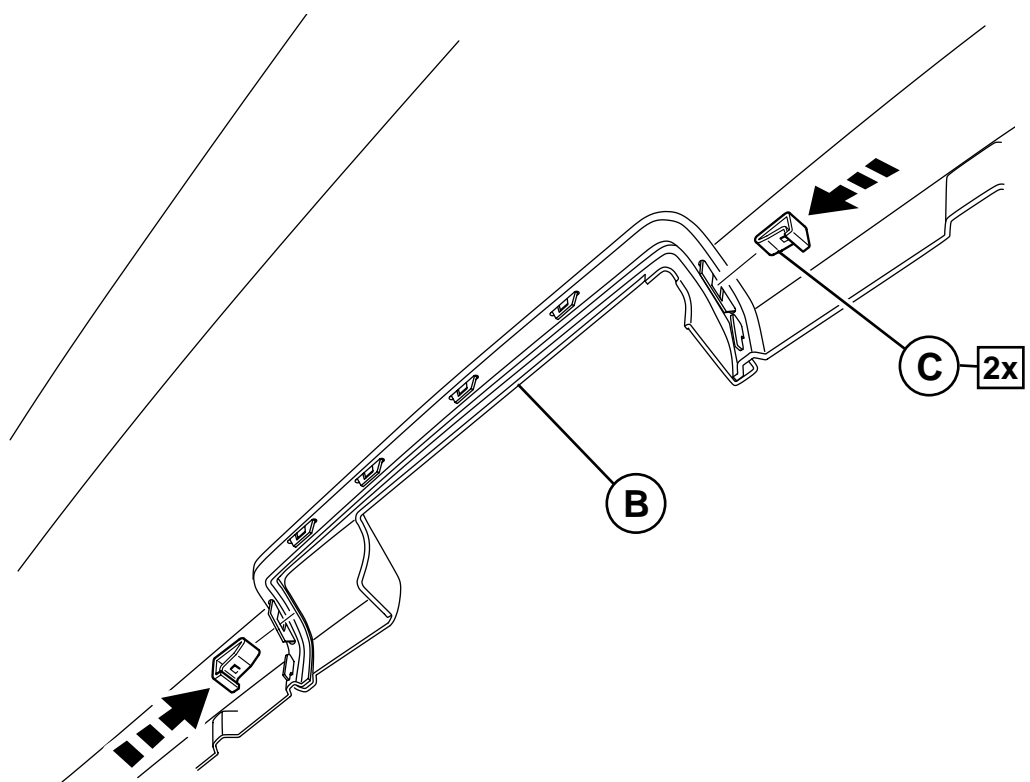


10

B



11



12