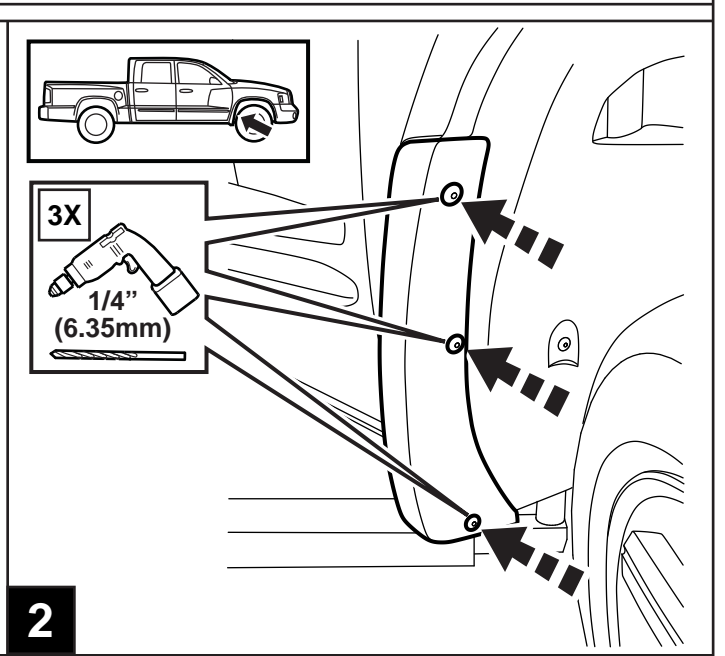
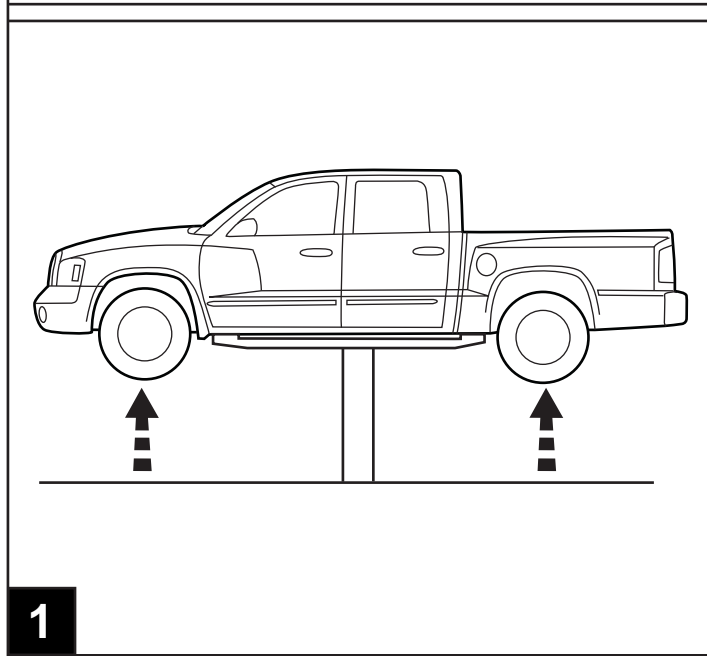
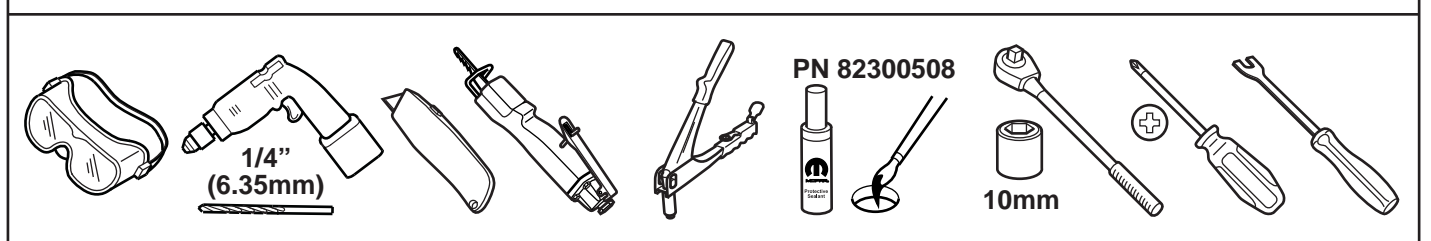
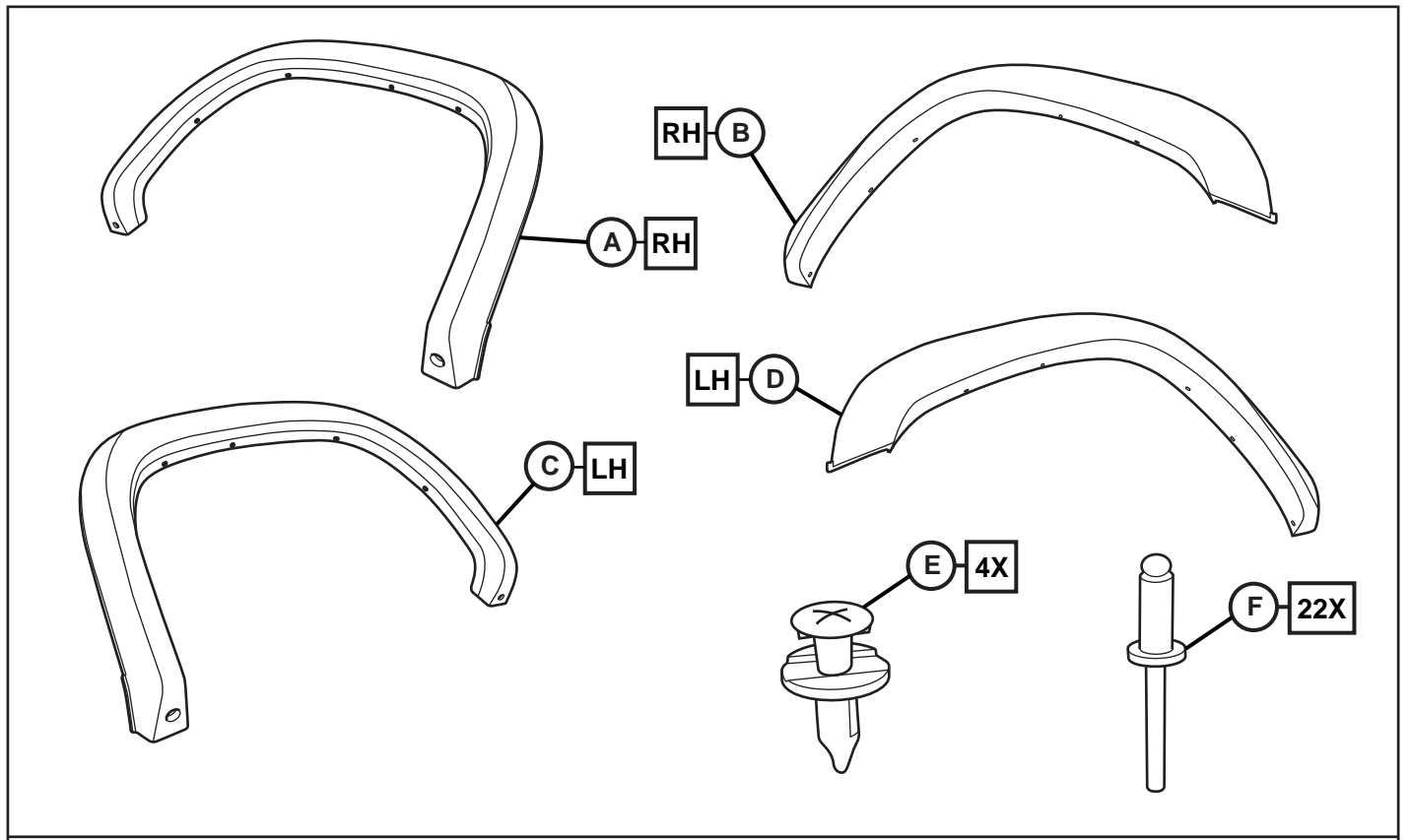
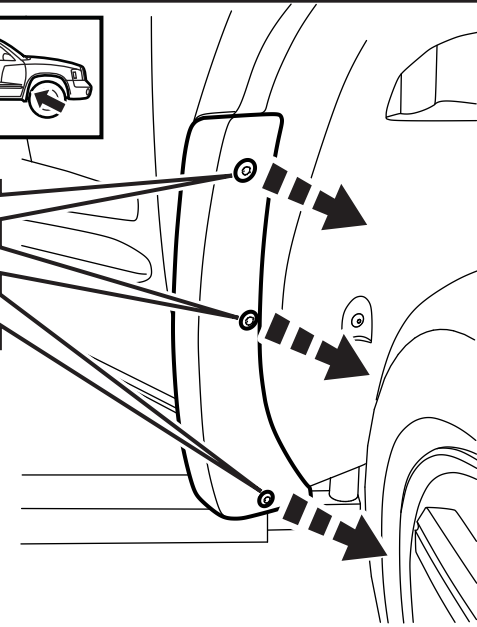
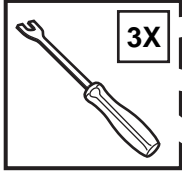
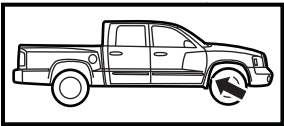




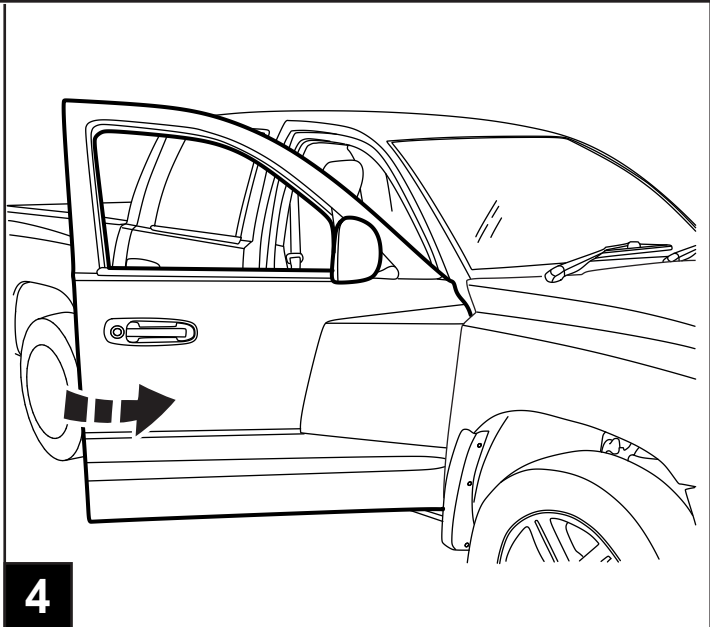
2008 DODGE DAKOTA CLUB/QUAD CAB

Wheel Flare Kit

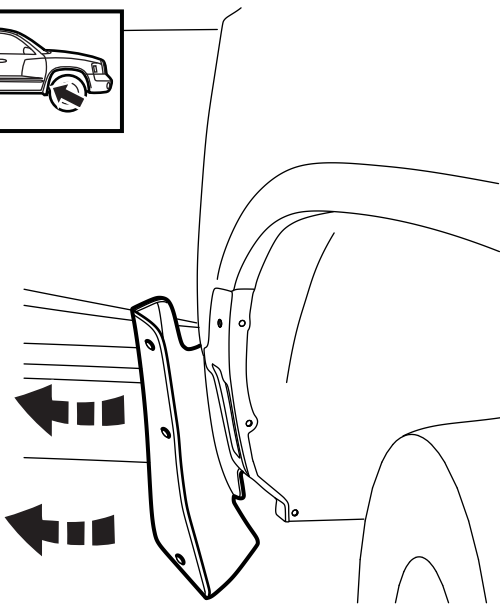
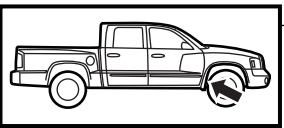




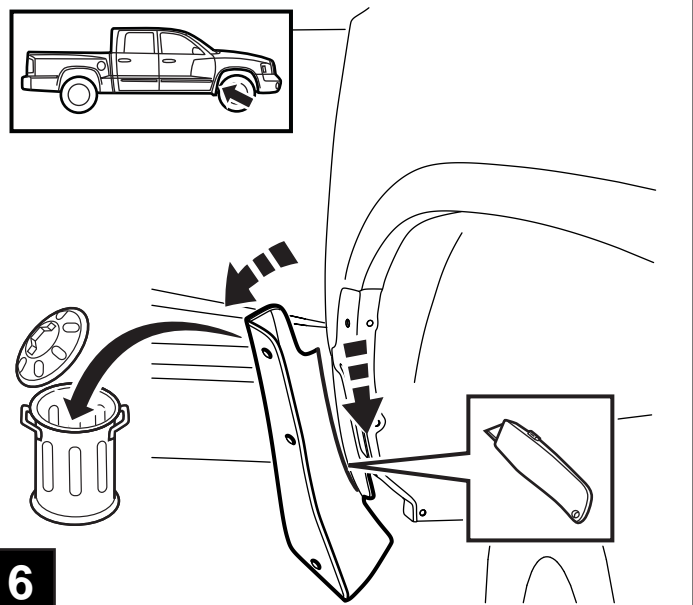
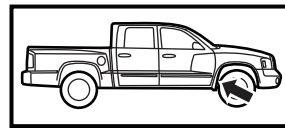
3



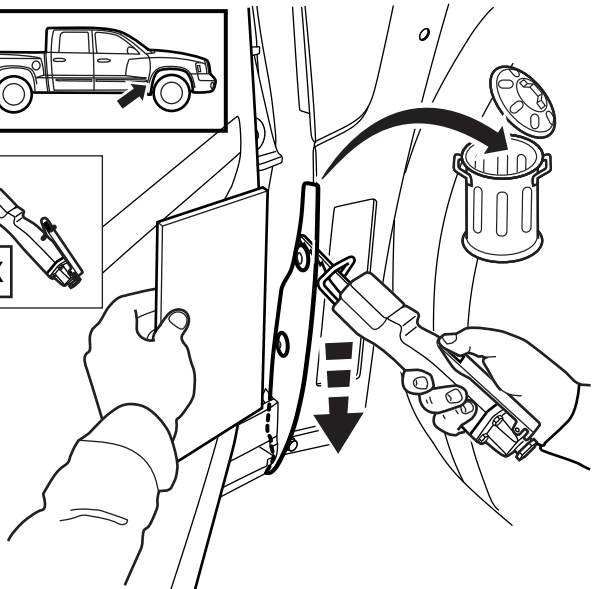
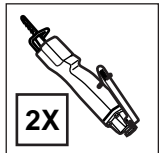
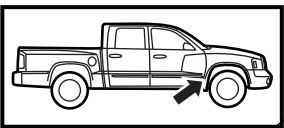
4



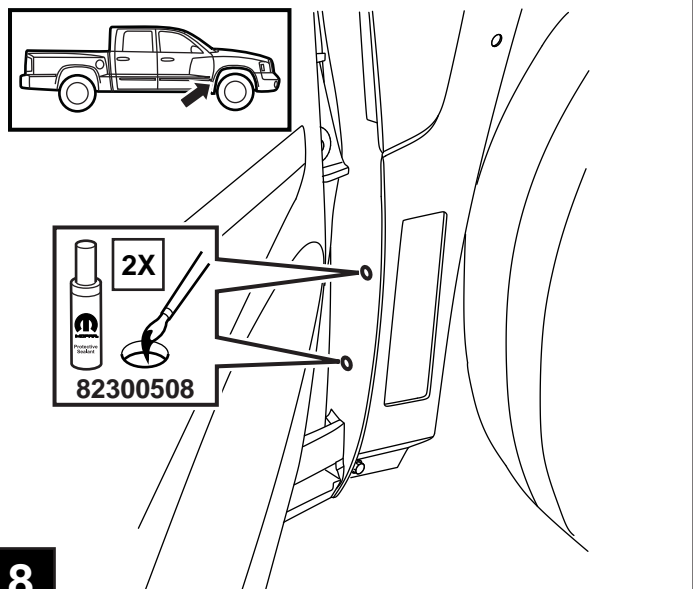
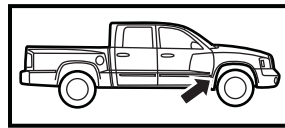
5



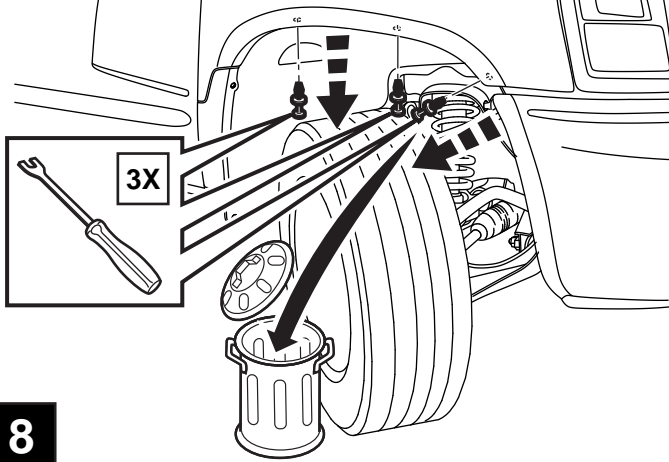
6



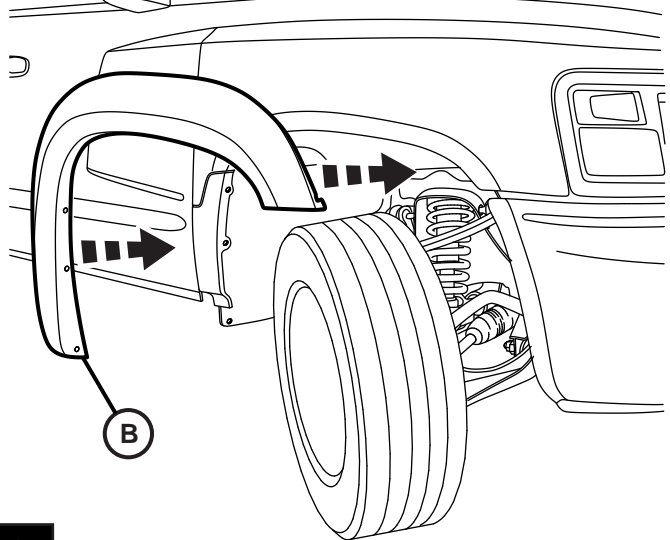
7



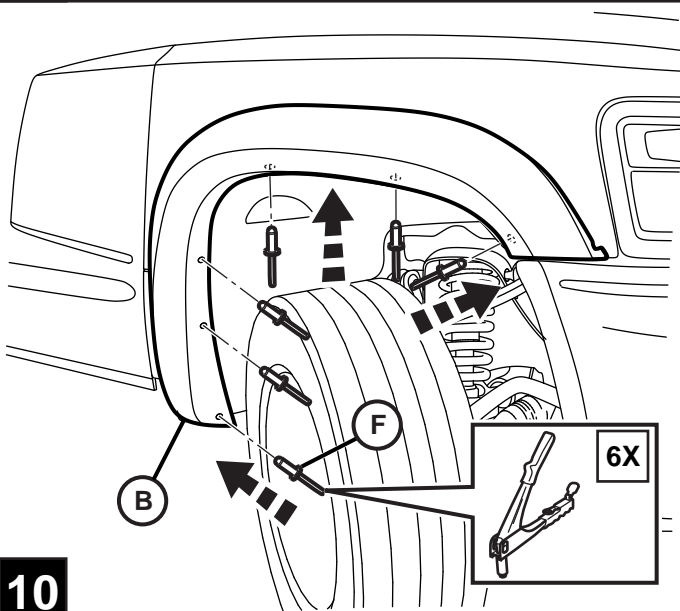
8



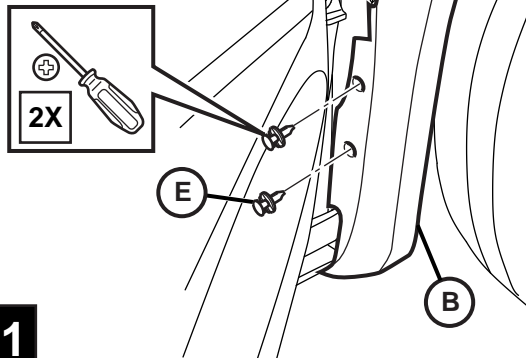
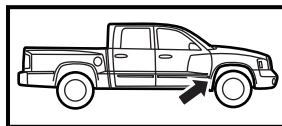
8



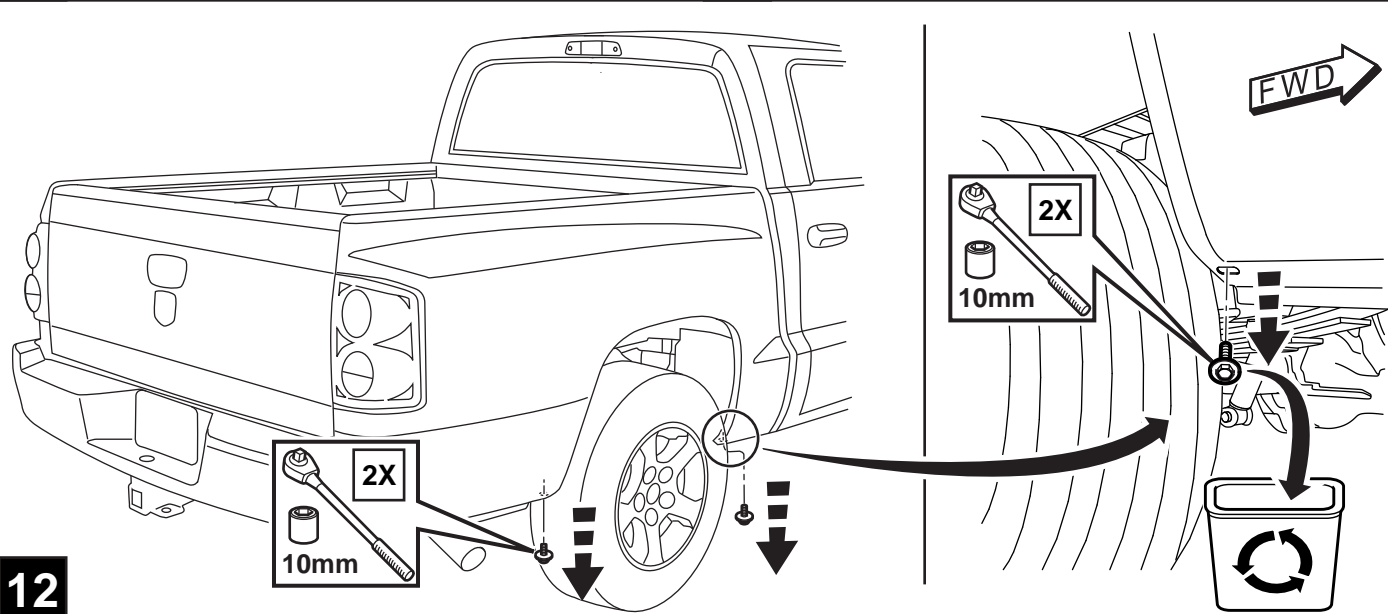
9



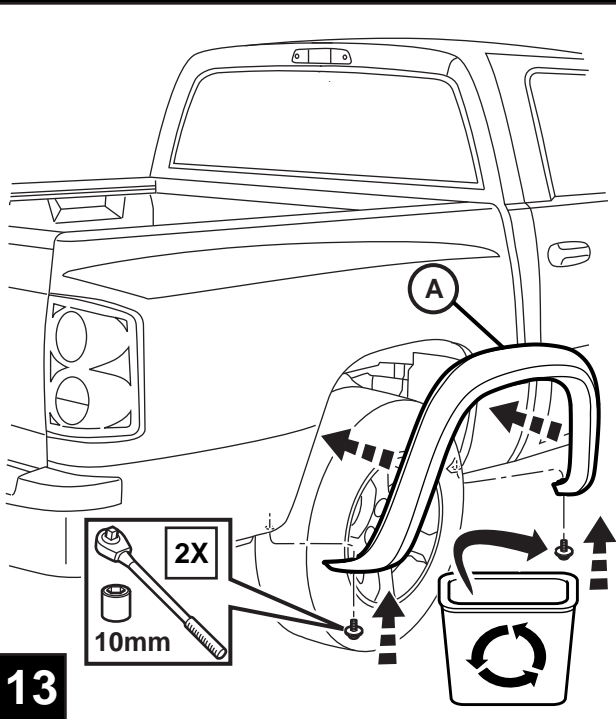
10



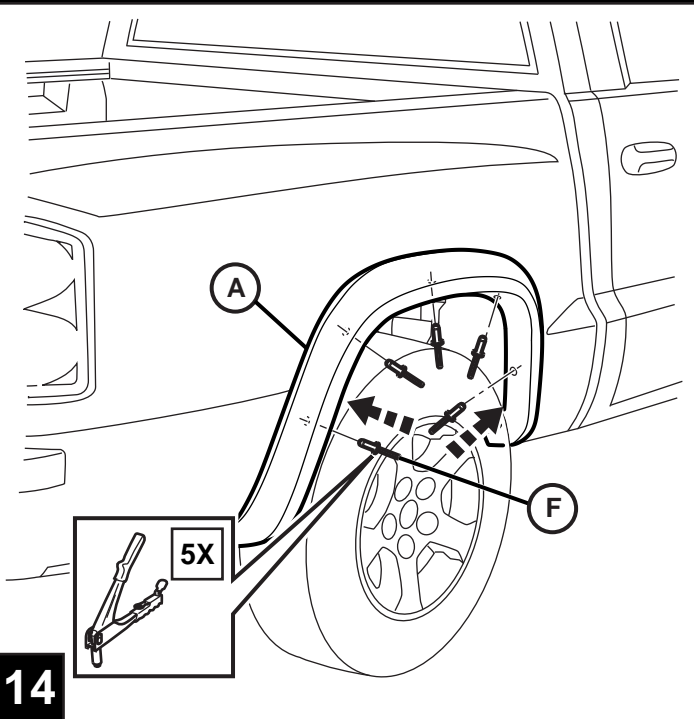
11



12



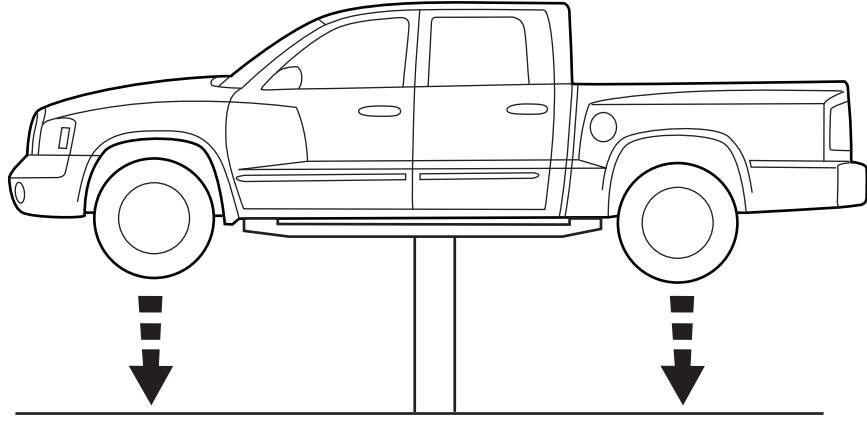
13



14

REPEAT FOR OTHER SIDE

16



17