



DODGE DAKOTA UNDER RAIL BEDLINER INSTALLATION INSTRUCTIONS

PARTS

1. Installation Preparation - Verify Kit Contents:

DODGE DAKOTA UNDER RAIL BEDLINER		
Description	Qty.	Kit Contents:
Under Rail Bedliner	1	10 Scrivets,
Tailgate Cover	1	2 Tie Down Hole Plugs (Short Bed Only),
Installation Kit	1	Installation Instruction Sheet

Tools Required:

- **PHILLIPS SCREW DRIVER**
(For Securing Screws in Scrivets)

CLEANING:

Clean Truck Box and Ensure Floor Drains (if applicable) are Clear to Ensure Ventilation and Moisture Drainage.

READ ALL INSTRUCTIONS THOROUGHLY BEFORE STARTING. Improper Installation May Void Warranty. The Manufacturer Recommends Using Two People , Bedliner can be Installed by One Person, However.

2. Tailgate Cover Installation (with Scrivet Holes in Tailgate)

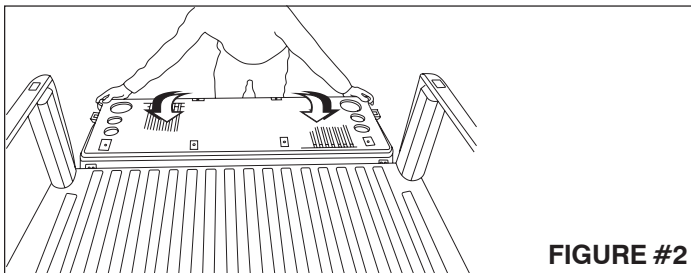
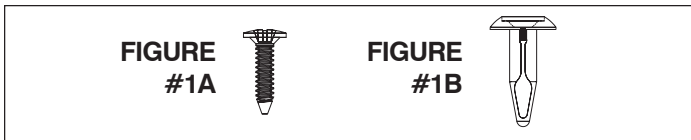


FIGURE #2

STEP 1 (FIGURE #2)

Center the Tailgate Cover on the Truck Tailgate. Press the Cover Down and Forward into Place. Line up Holes in Tailgate Cover with Holes in Truck Tailgate.

STEP 2 (FIGURE #3)

Place Scrivet Fastener in hole.

PRESS DOWN FIRMLY on the Scrivet Fastener to Seat in Hole.

Repeat Procedure for the 7 Other Scrivet Fasteners.

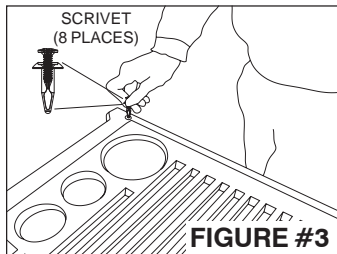


FIGURE #3

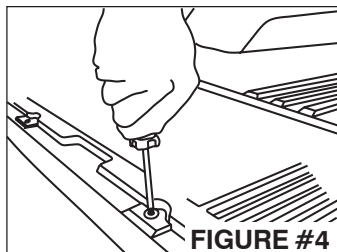
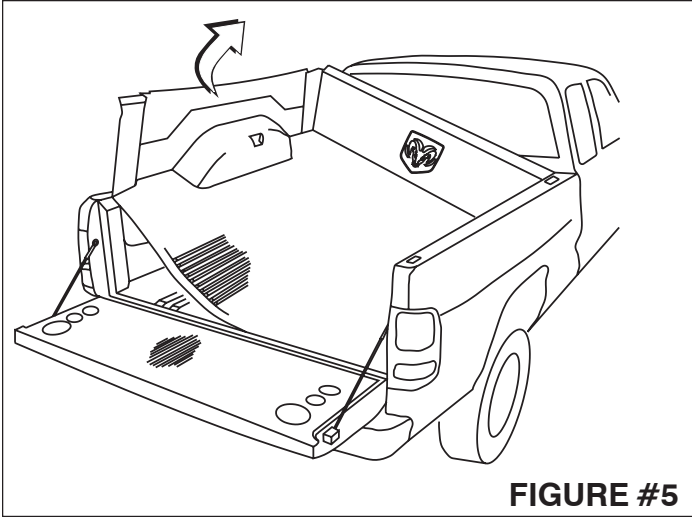


FIGURE #4

STEP 3 (FIGURE #4)

Using Phillips Screwdriver, Tighten the 8 Scrivet Screws. **Do Not Over-Tighten. DO NOT USE POWER TOOLS.**

3. Bedliner Installation



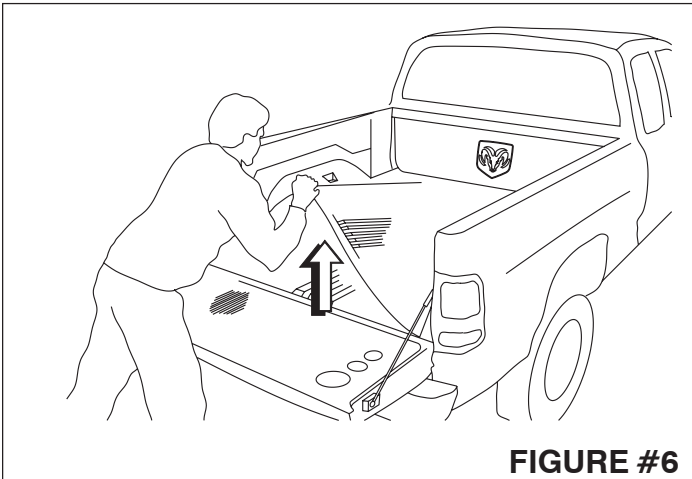
CAUTION: It is Recommended that Two (2) People Install the Bedliner to Avoid Damage to the Painted Surface of the Truck.

STEP 1 (FIGURE #5)

Place Bedliner in the Truck Bed, such that, the Front Rail Retainer Fits Over the Front Rail of the Truck Bed. While Standing on the Side of the Truck, Lift One Side of the Bedliner and Rotate the Bedliner, Allowing it to Slip/Lock in Position Under the Opposite Side Bed Rail.

STEP 2

While Standing at the Rear of the Truck, Lift the Bedliner Floor in the Center. (FIGURE #6) This Procedure Allows the Bedliner Sidewall to Rotate Away from the Bed Rail. Have a 2nd Person Slip/Lock the Bedliner Sidewall in Position by Applying a Downward Force.



STEP 3

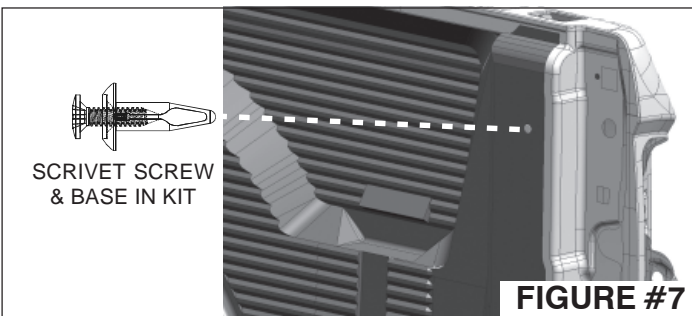
Check the Overall Fit. It is Important that the Bedliner Fits Securely in Place Under the Bed Rails. If Necessary, Repeat Steps 1-3.

STEP 4

Line up the pre drilled hole in the rear bedliner sidewall and the existing hole in the truck box rear "D" pillar sidewall.

STEP 5 (Figure #7)

Place scrivet fastener in hole. **PRESS DOWN FIRMLY** on the scrivet to seat in hole. Using a Phillips screwdriver, hand tighten the scrivet.



STEP 6

Install Tie-Down Plugs into the Front Floor Bedliner Tie-Down Access Holes. For the Quad Cab, Rear Tie Down Access Holes do not have Tie-Down Plugs.

NOTE: The Bedliner has been Designed to Allow for Expansion/Contraction in Extreme Ambient Temperatures. Therefore it is Impossible to have a Perfect Fit at All Times.

4. Installing Rear Cargo Supports/Dividers - if desired

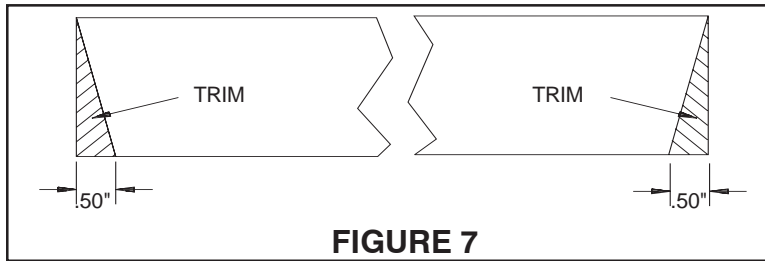


FIGURE 7

Your MOPAR Bedliner has been Designed with Specific Molded-in Locations that Allow for Customization for Cargo Hauling.

STEP 1

Board Supports Should be Cut to the Following Dimensions:

- a) Upper Level Cargo Supports (Front) - 61.0" Long
 - b) Upper Level Cargo Supports (Center) - 50.25" Long
 - c) Upper Level Cargo Supports (Rear) - 60.63" Long
 - d) Lower Level Cargo Supports (Front) - 57.75" Long
 - e) Lower Level Cargo Supports (Rear) - 57.25" Long
- Trim Corners as Shown in FIGURE #7