



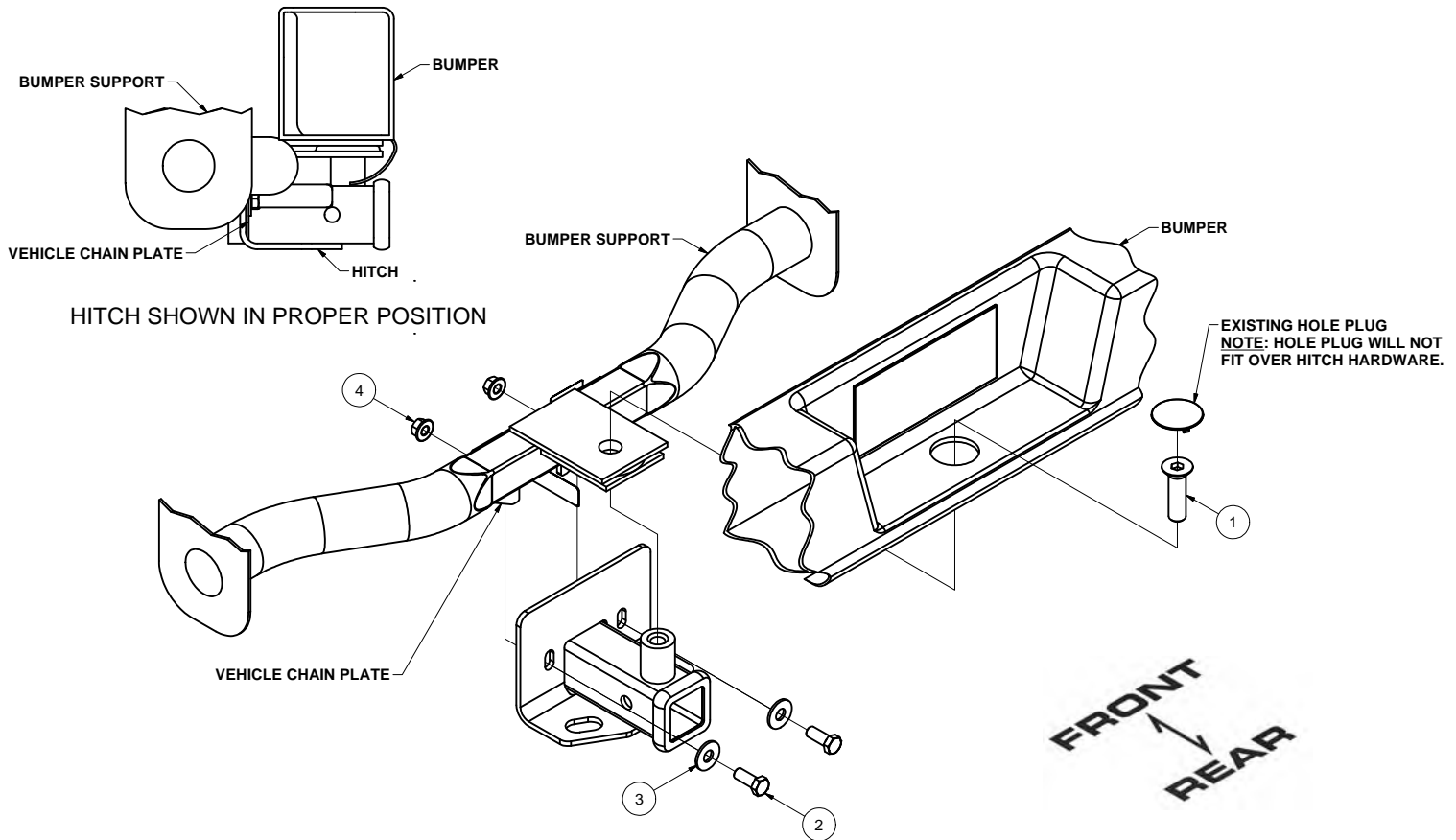
2005-11 DODGE DAKOTA TRAILER HITCH

Parts List

ITEM	QTY	PART NUMBER	DESCRIPTION
1	1	3_4 - 10 x 2.75 FHSCS	FLAT HEAD SOCKET CAP SCREW, ZP
2	2	1/2-13 x 1 1/4	HEX BOLT
3	2	1/2"	WASHER WIDE
4	2	HFN 1213	HEX FLANGE NUT

TOOLS REQUIRED

RATCHET
TORQUE WRENCH
3/4" SOCKET
3/4" WRENCH
1/2" HEX BIT SOCKET



INSTALLATION INSTRUCTIONS:

- 1) Remove existing hole plug (if present) on the center of bumper and return to vehicle owner.
- 2) Raise hitch into position by sliding the hitch chain plate behind the vehicle chain plate. Loosely secure hitch with 3/4-10 X 1 3/4" flat head socket cap screw through the bumper and bumper support and into the threaded hitch spacer. (Bolt will be tightened in Step 4)
- 3) Install 1/2-13 X 1 1/4" hex bolts and 1/2" washers through the slots in hitch and out the vehicle safety chain plate. Loosely Secure with 1/2" flange nuts. (Bolts will be tightened in Step 5)
- 4) Torque all 3/4" socket hardware to 250 lb-ft (339 N•m).
- 5) Torque all 1/2" socket hardware to 75 lb-ft (102 N•m).