



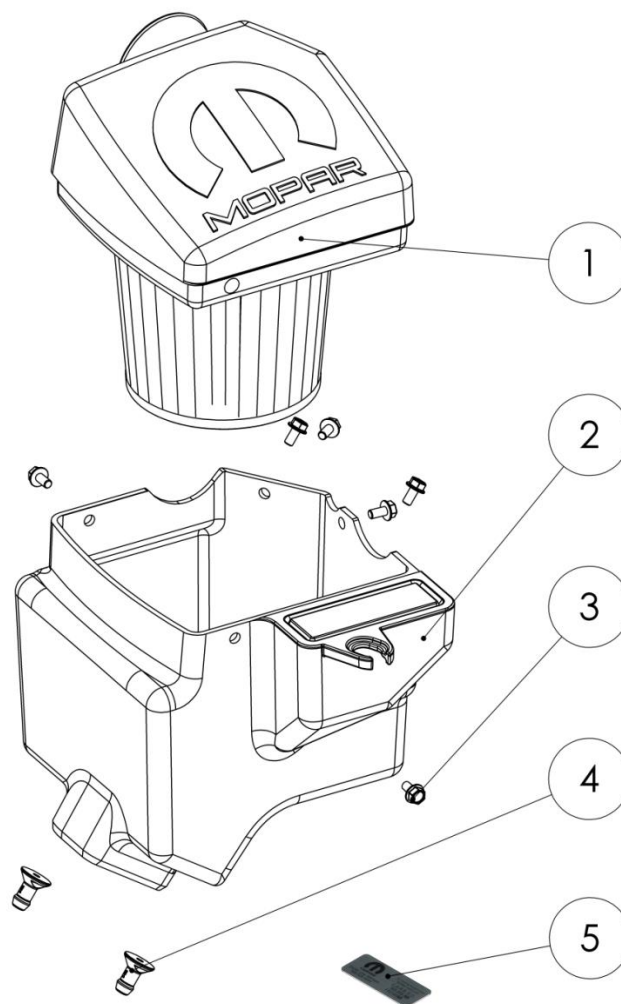
Installation Instructions

# Air Intake Kit

## 2012-2015 Dodge Dart 2.4L

Part Number 77070083

www.mopar.com



CALL OUT	DESCRIPTION	QTY.	SERVICE PART (Y/N)	PART NUMBER
1	FILTER WITH LID	1	Y	68260947AA
2	LOWER AIRBOX	1	N	-
3	M6X1X12 BOLT	6	N	-
4	AIRBOX MOUNT	2	N	-
5	CARB E.O. DECAL	1	N	-

2015 Dodge Dart 2.4L Exclude Test Group FCRXJ02.4CP0 C.A.R.B. E.O. # X-XXX-XX

1. Loosen band clamp securing intake duct to upper airbox using an 8mm socket driver (Figure 1, 1).
2. Remove bolt mounting lower airbox to vehicle chassis using a 10mm socket driver (Figure 1, 2).
3. Pull PCV hose off of upper airbox (Figure 2,1).
4. Remove A/C line retainer from front of airbox (Figure 2,2).
5. Remove intake duct from the upper airbox and lift it out of the way. With one hand under the duct flange and the other under the chassis mount, lift the airbox assembly out of the vehicle approximately at the angle shown in Figure 3.
6. With the airbox out of the car, pull the spacer sleeve out of the chassis mount and then squeeze the rubber grommet out. Set these parts aside to be used in the installation of your new intake kit (Figure 4).

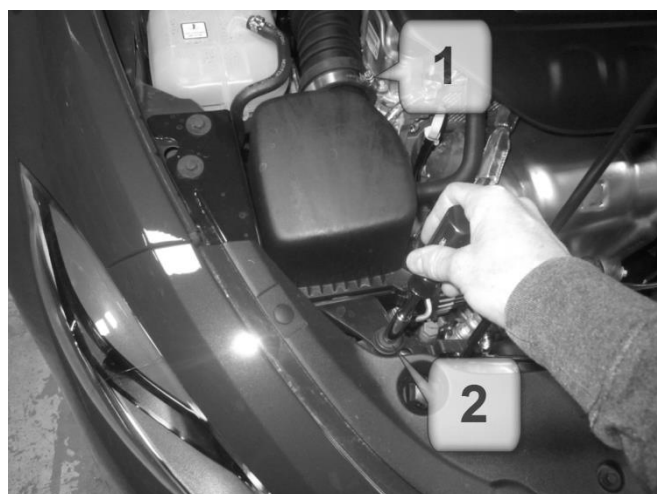


Figure 1

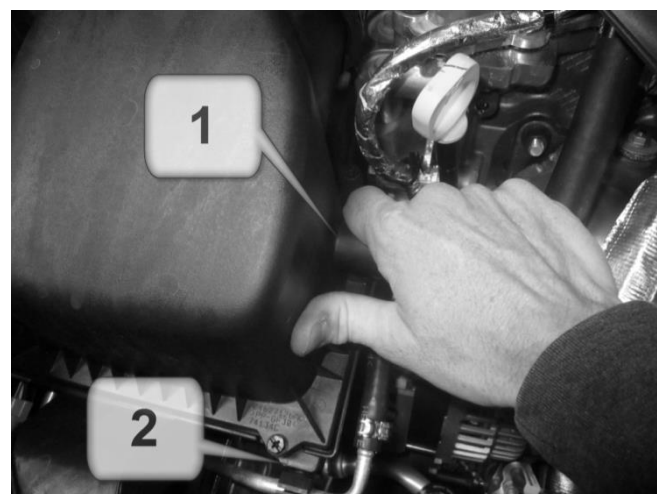


Figure 2



Figure 3



Figure 4

7. Remove the eight push pin fasteners (Figure 5,2) from the upper fascia closeout panel (Figure 5,1).
8. Remove the upper fascia closeout panel from the vehicle.

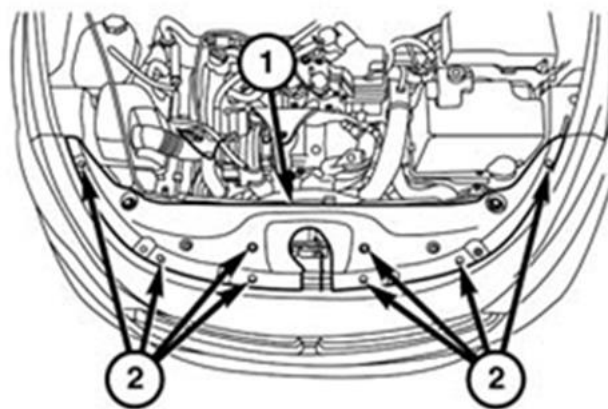


Figure 5

9. Remove the resonator bolt above and left of the "R" via the route shown in Figure 6.

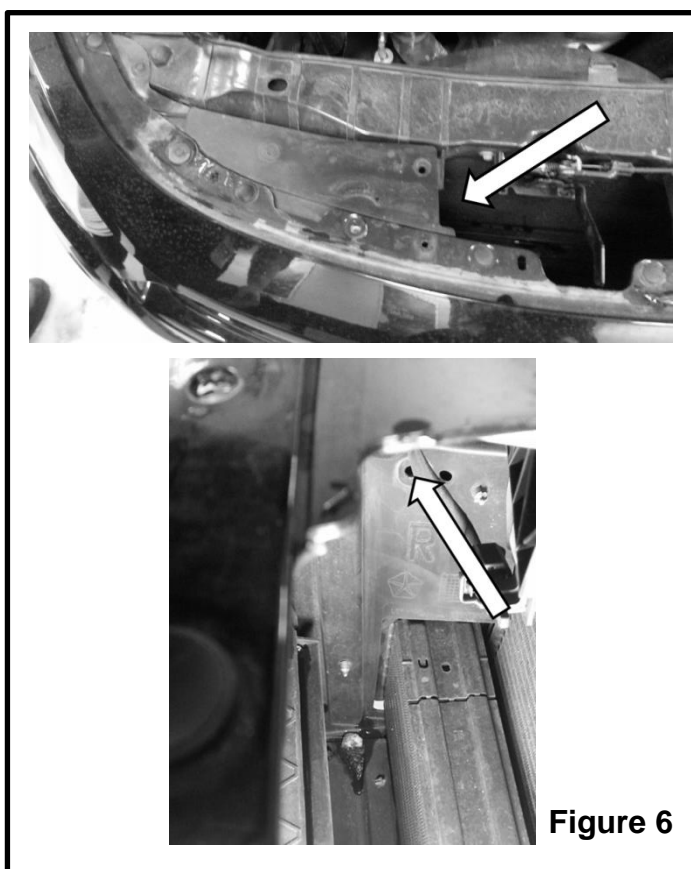


Figure 6

10. Remove the passenger front wheel and then remove its fender liner by removing the fasteners shown in Figure 7. There are a total of four hex head screws and ten push pin-style retainers.

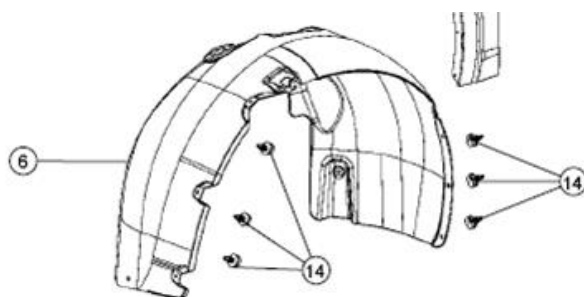
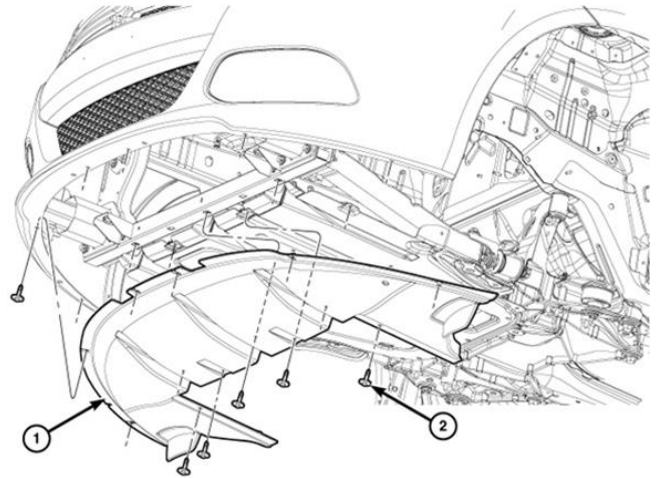


Figure 7

11. Remove the splash shield by removing the fasteners shown in Figure 8. There are eighteen total.



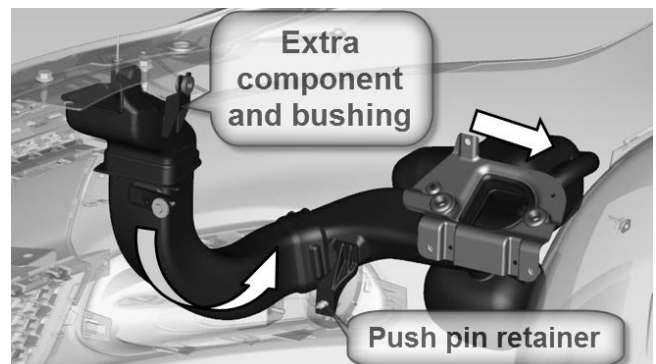
**Figure 8**

12. Access resonator from the wheel well. Pull straight down to disengage from bushings. (Figure 9)



**Figure 9**

13. Accessing from the fender well and lower closeout panel, twist and remove the resonator, pulling out through the fender cavity (Figure 10). 2014 models have one extra component and bushing to be removed. This bolt can be accessed through the closeout panel removed in step 9.



**Figure 10**

14. Re-install splash shield and fasteners, fender liner and fasteners, wheel, and upper fascia closeout panel and fasteners in reverse of how they were removed.
15. Drill hole for A/C line retainer in the lower air box of the new intake kit using a 6.5mm drill bit in its corresponding recessed location (Figure 11).

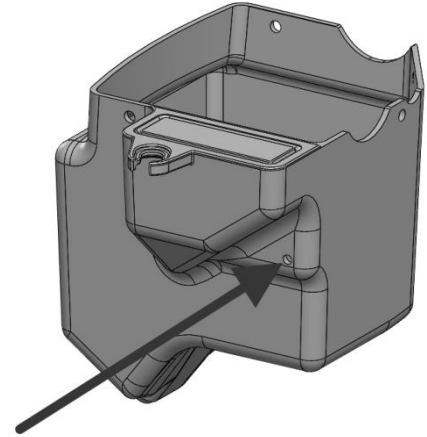


Figure 11

16. Install airbox mount parts into the lower airbox of the new intake kit with two of the included bolts using a 12mm end wrench and a 10mm socket driver (Figure 12). Torque bolts to 2 Nm (17.7in-lbs).



Figure 12

17. Install air filter into the lower airbox using four of the included bolts (Figure 13). Torque bolts to 2 Nm (17.7in-lbs).



Figure 13

18. Reinstall grommet and spacer sleeve into the airbox of the new intake kit. (Figure 13)

19. Lower intake kit into place in the vehicle in the opposite direction that the stock intake was removed. When positioned correctly, the mount parts on the bottom of the airbox will push snugly into the bushings in the chassis of the vehicle (Figure 14).
20. Reattach intake duct and torque band clamp to 3.5Nm (31in-lbs).
21. Replace bolt from step 2 and torque to 7 Nm (62in-lbs).
22. Push PCV hose from step 3 onto matching port in the side of the new air filter.
23. Re-insert A/C line retainer into newly drilled hole in lower airbox.
24. Apply EO decal to smooth, clean surface like shown in Figure 15.
25. Fold this instruction sheet and place in the vehicle's glove compartment.

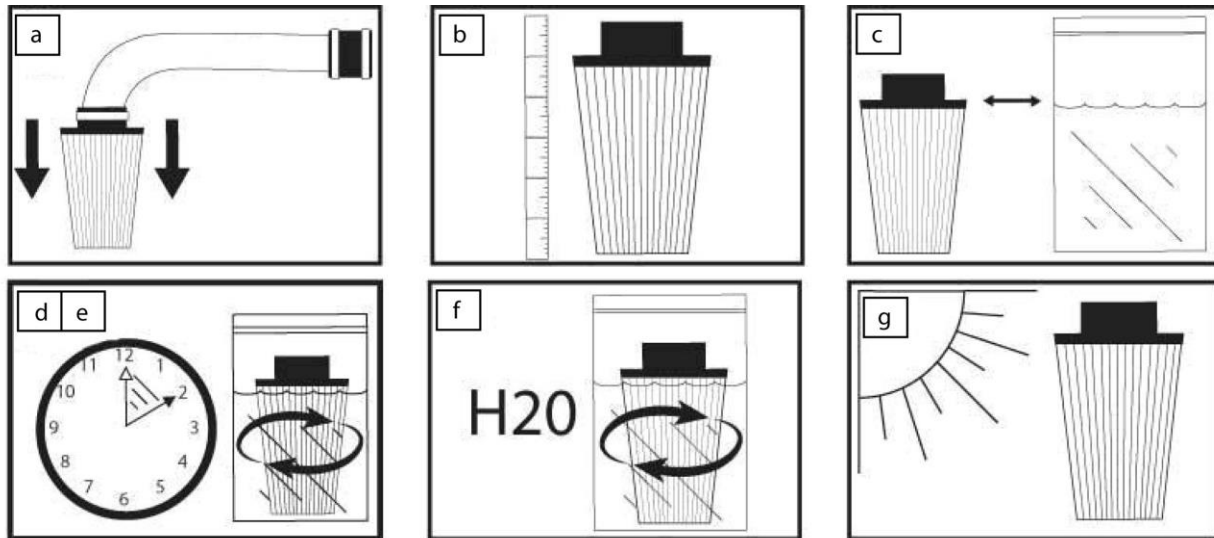
**Figure 14****Figure 15**

## Cleaning Instructions: MOPAR DRYFLOW Air Filter

(It is recommended that you service your MOPAR air filter every 20,000 miles for optimum performance.)

- a) Remove the air filter from intake system and set the filter clamp aside.
- b) Measure the length of the filter media.
- c) Fill a pail with warm clean water to the depth determined in Step B. Add a mild household detergent or DRYFLOW air filter cleaning solution to the water.
- d) Without allowing the solution to flow into the filter neck, submerge the filter into the water and let it soak for 10 minutes. After soaking, rotate the filter back and forth to agitate the water and knock off dirt.
- e) Empty the bucket of dirty water. Repeat steps C and D.
- f) Refill the pail with clean warm water and rinse by rotating the filter as in step D. The water should be clear with no signs of dirt in the pail.
- g) Allow the filter to air dry. Re-install the filter on the intake system once it is dry.

**DO NOT APPLY ANY OIL TO THIS FILTER.**



OEM-DOD200  
04/15/2015