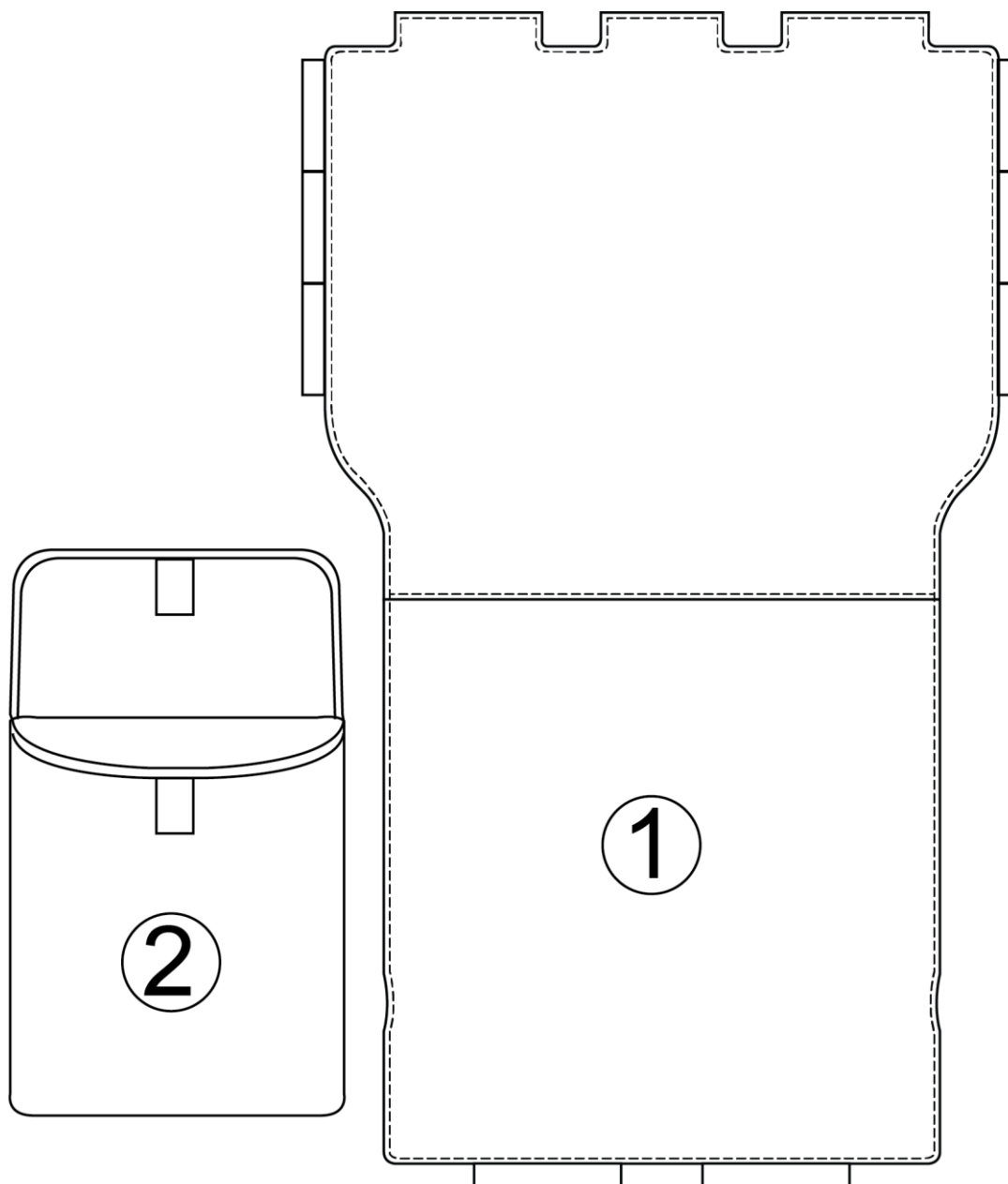




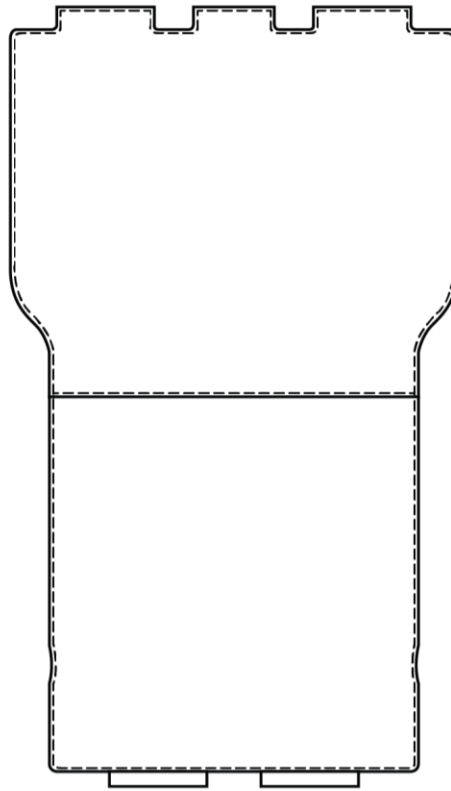
Cargo Liner

www.mopar.com



CALL OUT	DESCRIPTION
1	CARGO LINER
2	STORAGE BAG

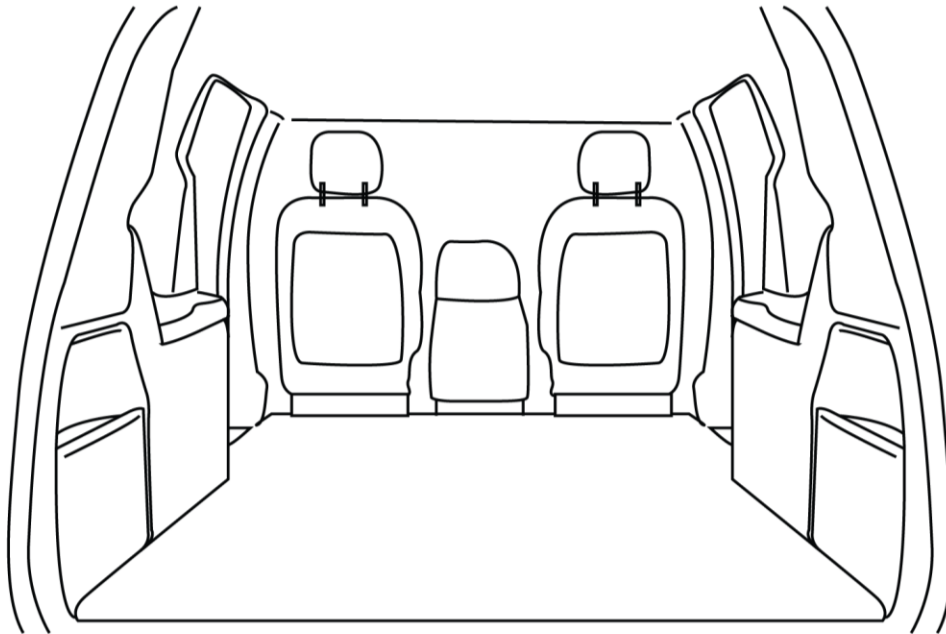
A



GB front of vehicle

F l'avant du véhicule

E parte delantera del vehículo

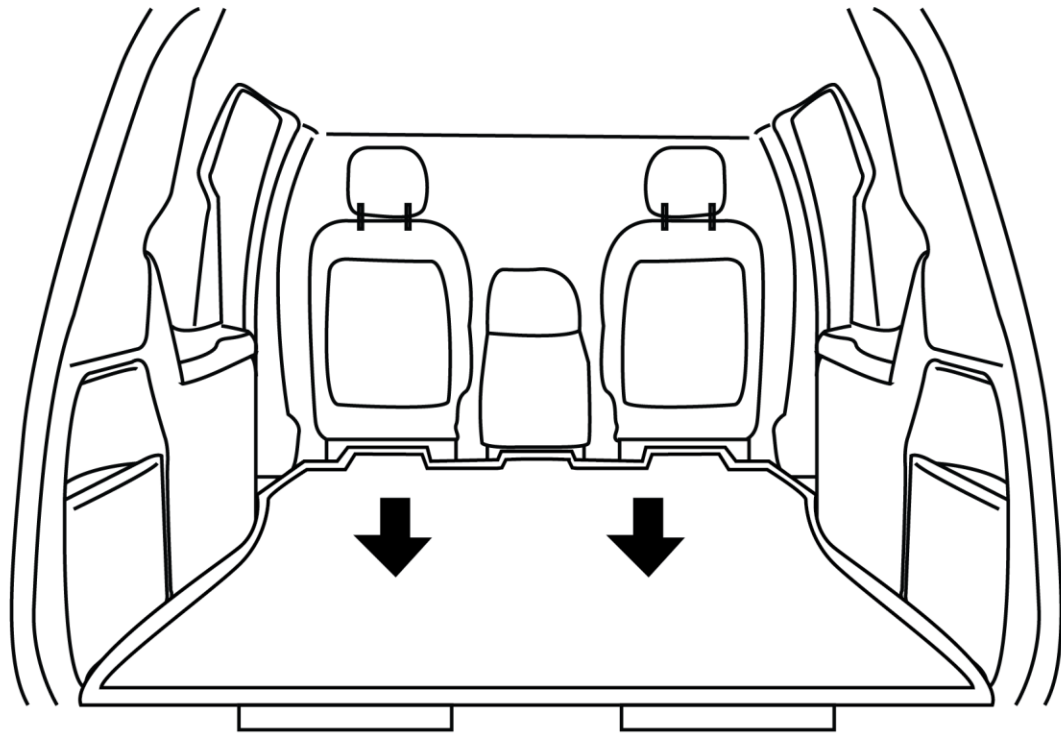


GB STOW/REMOVE 2nd AND 3rd ROW SEATS.

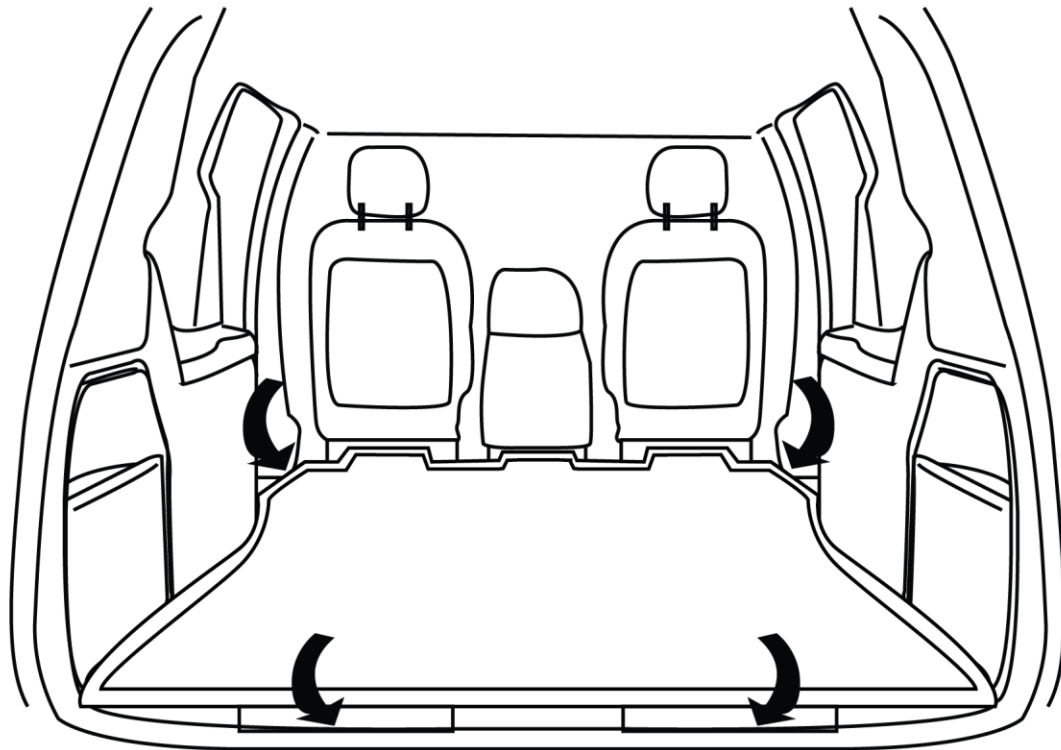
E Estibe/Retire asientos 2ª y 3ª fila.

1

F Ranger/Enlever 2ème et 3ème rangée de sièges.



2



3

GB

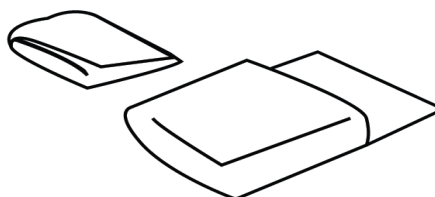
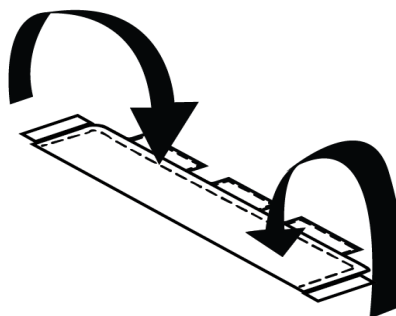
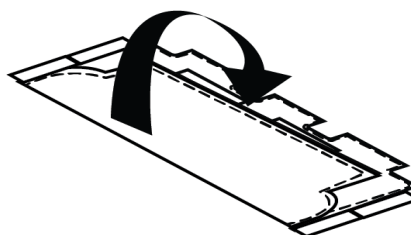
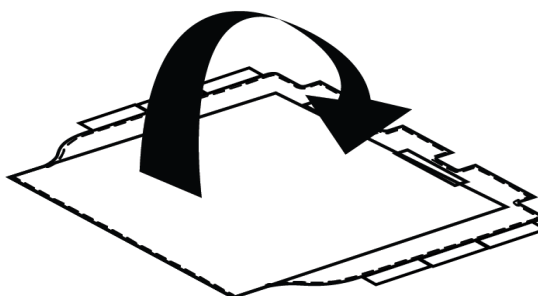
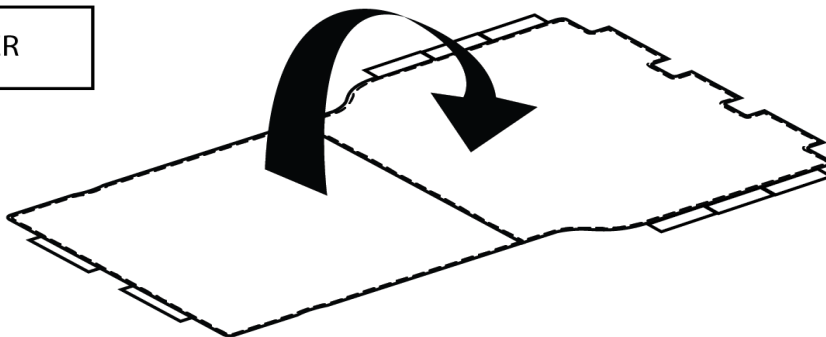
FOLDING INSTRUCTIONS

E

INSTRUCCIONED PARA DOBLAR

F

INSTRUCTIONS POUR PLIER



Document Revision History

Date	Section	Summary of Changes Made	Notes
7/11/2016		Initial Release	