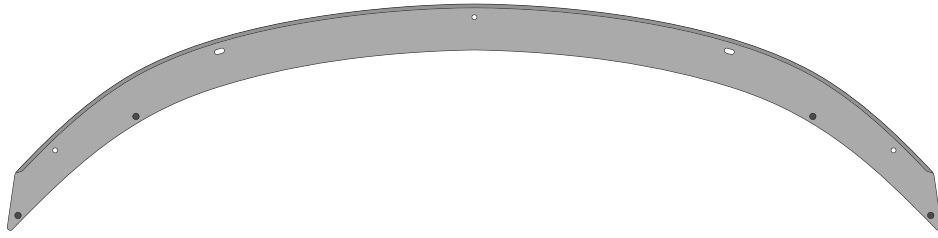




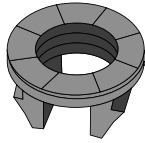
CHRYSLER PACIFICA

Front Air Deflectors



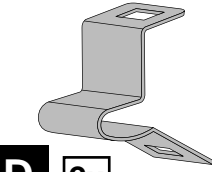
A 1x

ALCOHOL PREP PAD
PREPARE THE SURFACE TO BE ADHESIVED BY WIPING WITH ALCOHOL PREP PADS. DO NOT USE OTHER CLEANING PRODUCTS. THE SURFACE MUST BE CLEAN, DRY AND FREE OF OILS, GREASE, WAXES, POLISHES, AND OTHER CONTAMINANTS. THE SURFACE MUST BE COMPLETELY DRY BEFORE ADHESION. THE SURFACE MUST BE COMPLETELY DRY BEFORE ADHESION. THE SURFACE MUST BE COMPLETELY DRY BEFORE ADHESION.

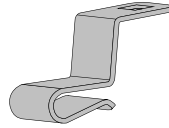


B 4x

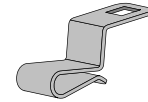
C 5x



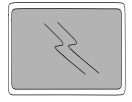
D 2x



E 1x



F 2x



G 5x



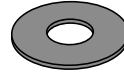
H 2x



I 2x



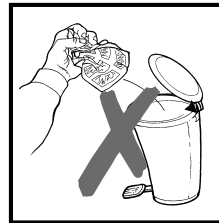
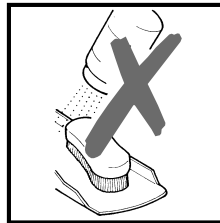
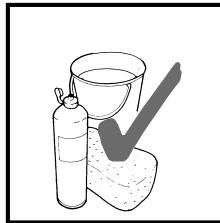
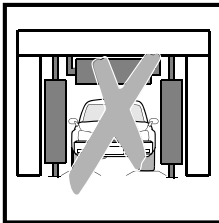
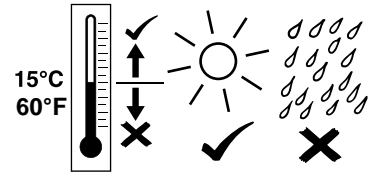
J 5x

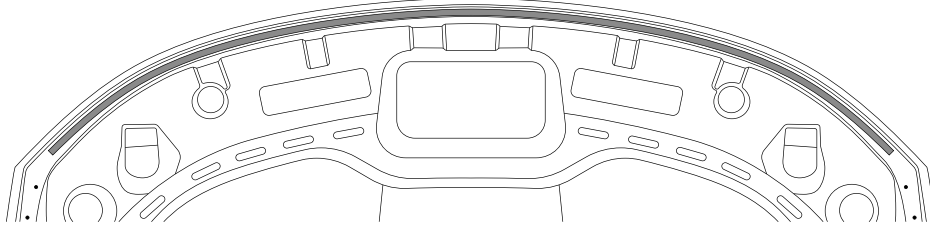
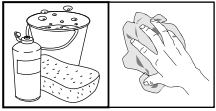


K 5x

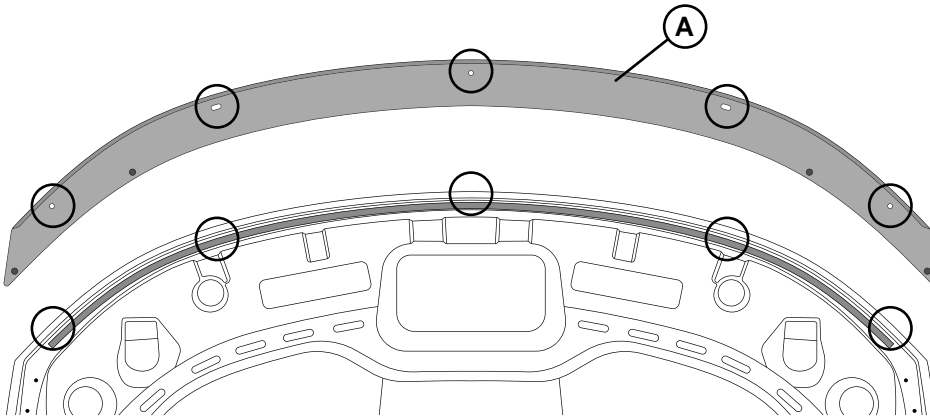
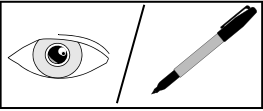


L 4x





1

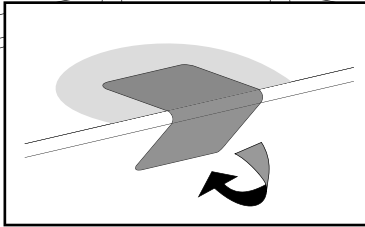
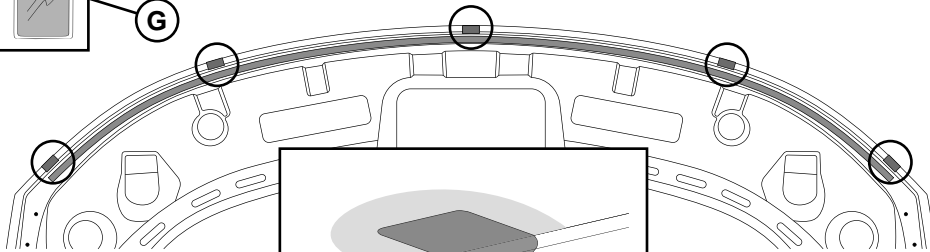


2

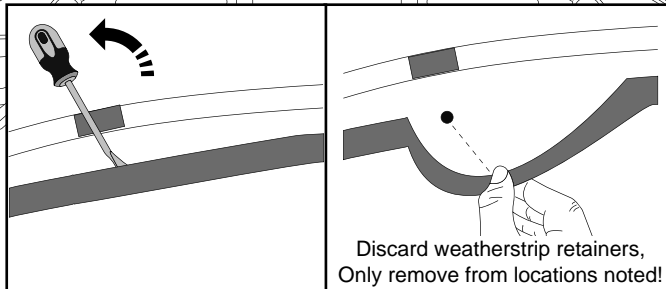
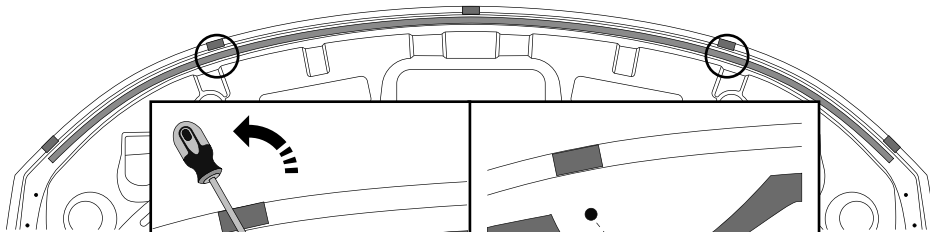


B

G

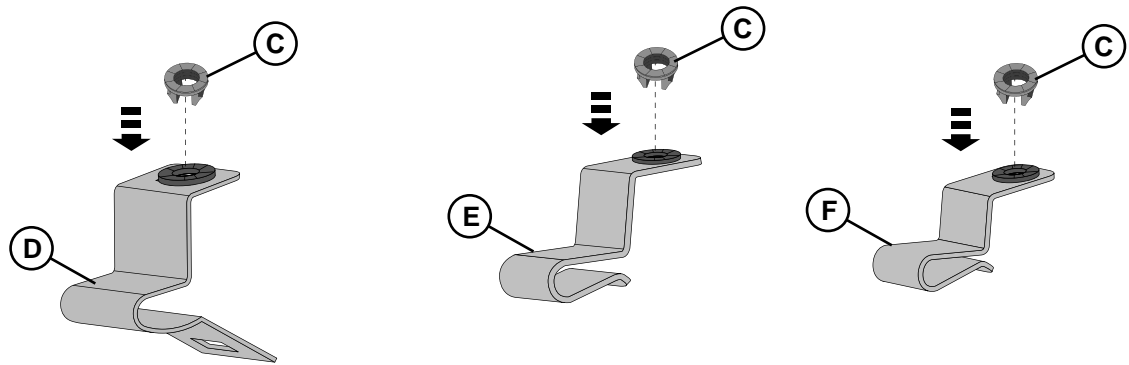


3

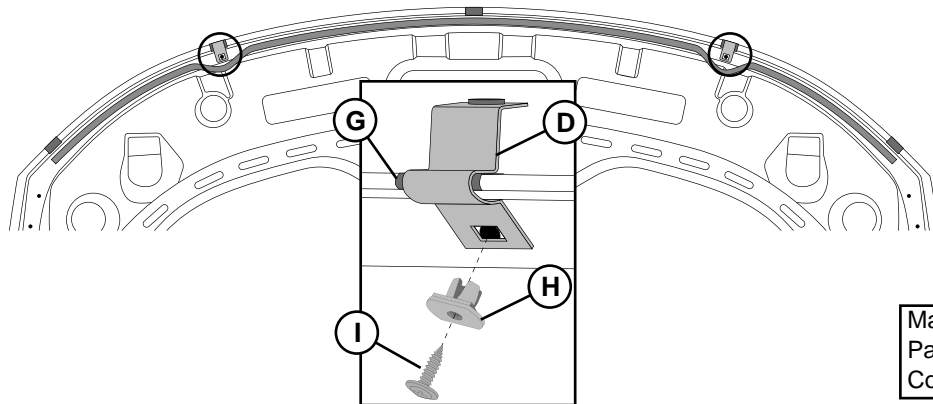


Discard weatherstrip retainers,
Only remove from locations noted!

4

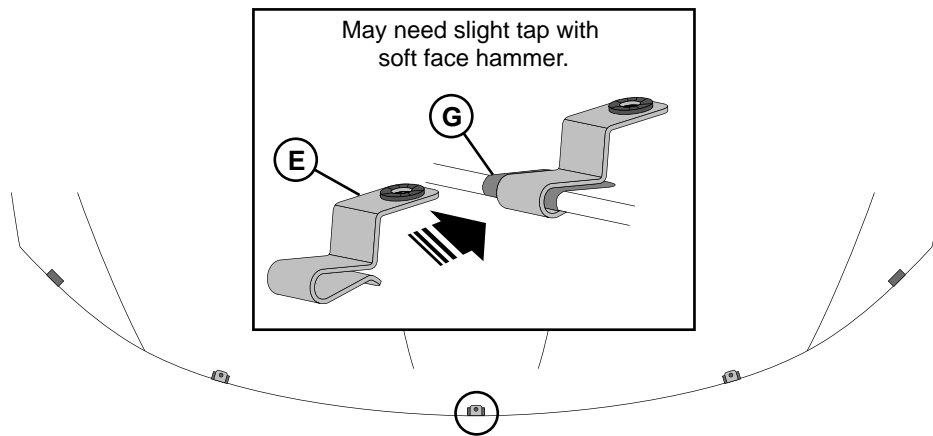


5

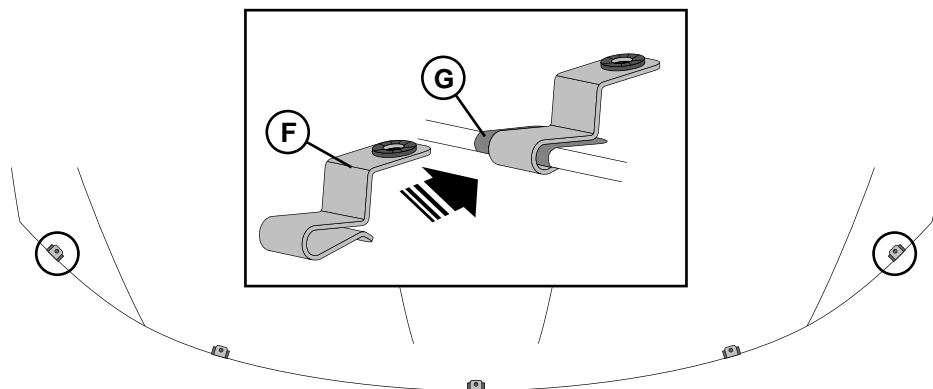


Max torque 2.0Nm
 Par de torsión máx 2.0Nm
 Couple maximal 2,0 N.m.

6



7



8

